



**PROVEN PERFORMANCE
SINCE 1958**

Vintage Book

Parts for 1936-1999 Big Twins

March 2024



PROVEN PERFORMANCE SINCE 1958

S&S Cycle offers premium high performance solutions for Harley-Davidson® and other v-twin motorcycles. Since its founding in 1958, S&S has become the most respected name in the v-twin high performance aftermarket, with an American made product line that includes engine components, exhaust and fuel systems, engine upgrade kits, and complete engines.





S&S VINTAGE CONTENTS:

1984–1999 BIG TWIN

Performance products and service replacement parts for HD® Evolution® engines. The newest of these engines is over 20 years old and many are in need of an engine overhaul. Why not upgrade to a stroker or big bore kit while you have it apart? Why not replace it with a new engine? Just turn the page.

1936–1984 VINTAGE

Building an old school chopper, a retro vehicle or restoration? We have the engine components you need. Keep that old iron on the road!

TOOLS & SHOP SUPPLIES

Every job is easier with the right tools. Keep your bike running in top condition! You'll find special tools, shop supplies and fluids you need, whether you are a "do-it-yourselfer" or a professional servicing technician.

COMPANY POLICY & WARRANTY

Information on sales, ordering, shipments, S&S internet policy, and special orders. Warranty policies on all S&S parts and S&S assembled engines.

APPENDIX

Useful information for our customers: identify S&S components, measuring manifolds, calculating cylinder head bolt lengths.

1984–1999 Evolution®

1936–1984 Vintage Engines

Tools & Shop Supplies

Warranty & Company Policy

Appendix

A WORD ABOUT DYNO NUMBERS

With a motto like "Proven Performance®", which is a registered trademark of S&S® Cycle Inc., it is very important that we be able to back up our claims regarding performance. It is also vitally important to be able to evaluate new designs in our development process. One of the tools we depend on for both of these functions is the chassis dynamometer.

Something that needs to be understood about dynamometers is that the results from one dyno will not necessarily be identical to those from another dyno. So comparing results from different dynos is bound to create a certain amount of confusion. This is especially true with dynos from different manufacturers. However, results of tests run on the same machine can be compared with a high degree of confidence. We can determine, for example if a performance modification increased power or torque, but there is a problem if you expect absolute values.

There are several brands of dynamometers which are in common use in the performance industry. These dynos will yield very reliable values for comparison, especially when tests are performed on the same machine. However values obtained from these dynos may not always agree. Which value is correct? It depends on who you ask.

NO ABSOLUTES

In our literature and catalogs, we publish dyno results so our customers easily can see how our products improve performance over stock. However, it must be remembered that these are comparative values, and should not be taken as absolutes. If a similar or even identical engine or motorcycle is tested on another dynamometer, the results will more than likely differ.





SYMBOL KEY



VIDEO If you see this icon, there is a video available.

EMISSIONS SYMBOLS



Part numbers marked with this logo are replacement parts for specific S&S certified emission engines and are legal for sale and use on these engines. The number(s) listed by each logo in the catalog indicates the model(s) of S&S certified engines that use the part. Use the table below to reference your engine model to its number in the logo.



Example: This part is legal for use on V96E, V124C, and V124E engine models.

Engine Model Number	
V96E	1
V100C, V113E, V113C	2
V124E, V124C	3
X117E, X117C	4



Part numbers marked with this logo are legal to be sold for and used as replacement parts on Harley-Davidson® motorcycles in all 50 states. These parts may only be installed on a motorcycle model listed in the part's description. Selling or installing these parts on a pollution controlled motorcycle not listed is in violation of California and/or Federal emissions laws and could result in fines and penalties.



S&S Cycle's products designed to meet California's emissions standards.



S&S Cycle products that are EC-approved have an e mark from the European Commission in accordance with the mandatory members of the EU Directive and are legal for sale and use in Europe.

Note:

Vehicles 1977 model year and earlier are exempt from emissions regulations. Owners of such vehicles may install any parts desired without concern about violating exhaust emissions regulations. However, local noise ordinances still apply to these vehicles, so the owner of a 1977 or earlier vehicle can still receive a noise citation if the vehicle is too loud.



MISSION STATEMENT AND TRADEMARK INFORMATION

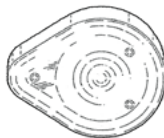
MISSION STATEMENT: Proven Performance® for the Powersports Industry.

THE FOLLOWING ARE TRADEMARKS OF HARLEY-DAVIDSON® MOTORCYCLE COMPANY: BUELL® • Dyna® • Evolution® • Evo™ • Harley® • Harley-Davidson® • HD® • H-D® • Heritage Softail® • Milwaukee-Eight® • Screamin' Eagle® • Softail® • Sportster® • Twin Cam 88® • Twin Cam 88B™ • Twin Cam 96™ • Twin Cam 96B™ • Twin Cam 103™ • Twin Cam 110™ • Tri Glide™

Other trademarks mentioned in this catalog are the property of their respective owners and are used for reference only.
American Andrews Products • Delphi • Dynojet • Hitachi • Keihin • Kevlar • Magneti Marelli • NHRA • Sunnen • SuperFlow • Tillotson • Timken • Viton

THE FOLLOWING ARE TRADEMARKS OF S&S CYCLE INC.

Body Parts • Dealer Focus • EZFI • Frame Lock • G-Extreme • Hot Set Up Kit • IST • Performance Times • Power Tune • Proven Performance • S&S • S&S Service & Speed Center • Sidewinder • SPO • Super Stock • X-Wedge • Flathead Power • Viola V-Twin



DISCLAIMER: The names Harley, Harley-Davidson, Buell, H-D, and all trademarks owned by Harley-Davidson and its affiliated companies, and all Harley-Davidson and Buell part numbers and model designations are used for reference only. S&S Cycle is in no way associated with or authorized by Harley-Davidson Motor Co. to manufacture and sell any of the engine parts described in this catalog.

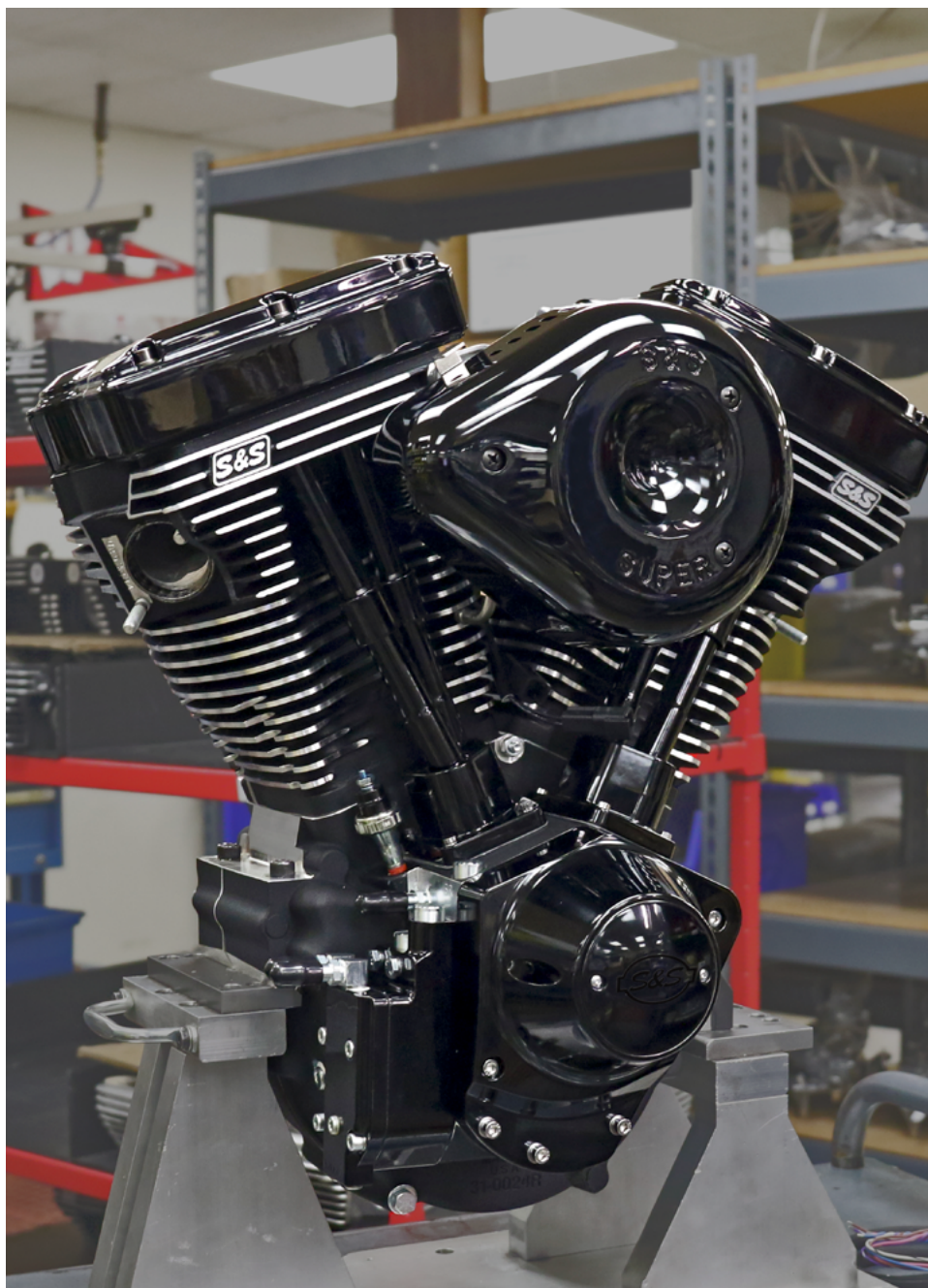
CUSTOMER SUPPORT HOURS: MONDAY–FRIDAY 8:00A.M.–5:00P.M. CST

Calls should be directed to (608) 627-1497. International customers should use this number to place orders from outside the United States. This number should also be used if you have a technical or warranty question, or to contact the Accounting departments. This is not a toll-free number.

S&S Cycle, Inc. reserves the right to change prices, terms, availability, and specifications without prior notice.



1984-1999 Big Twins



PERFORMANCE KITS

89" Stroker Kit.....	21
Performance Kit Overview.....	19
Sidewinder® Kits.....	20

PERFORMANCE ENGINES

49-State EPA Engines.....	23
50-State Legal Engines.....	25
V-Series Long Block.....	24

PERFORMANCE PARTS

Air Cleaners.....	14
Camshafts.....	39
Carburetors.....	52
Crankcases.....	28
Cylinder Heads.....	47
Cylinders & Pistons.....	34
Drive Belts.....	60
Electronics.....	58
Exhaust.....	8
Flywheels.....	19
Gaskets.....	63
Gearcovers.....	33
Manifolds.....	50
Oil Pumps.....	31
Pushrods.....	42
Rocker Arms.....	45
Rocker Covers.....	49
Tappets.....	41
Valve Springs.....	44
REPLACEMENT PARTS.....	64



Order 608-627-1497



FITS:

- 1995-2009 Dyna models with staggered exhaust
- 2008-2017 Dyna models with 2-1-2 exhaust

FEATURES & BENEFITS:

- Up to 16% more horsepower and 10% more torque (when used with Stealth Air Cleaner Kit)
- Wake up your bike without breaking your budget
- Classic slash cut styling
- Show chrome or black finish
- Made in USA!



Removable dB reducer



SLASH CUT SLIP-ONS FOR 1995-2009 DYNA® MODELS WITH STAGGERED EXHAUST†

Description	Part #	MSRP
Chrome	550-0718	\$388.95
Black	550-0720	\$377.95

SLASH CUT SLIP-ONS FOR 2008-2017 DYNA® MODELS WITH 2-1-2 EXHAUST††

Chrome	550-0722	\$370.95
Black	550-0724	\$409.95

†*Qualified Manufacturer Declared Emissions Replacement Part on all 2014-2021 Street Models

††NOT LEGAL FOR SALE OR USE IN CALIFORNIA ON ANY POLLUTION CONTROLLED MOTOR VEHICLES. Not legal for sale or use on EPA pollution controlled motorcycles originally equipped with mufflers containing catalyst.

*Qualified Manufacturer Declared Emissions Replacement Part on the Dyna Models Listed Below. California Models: MY 2006-2007, Except CVO models 49 State Models: MY 1995-2009, Except CVO models

→ **REPLACEMENT PARTS: SEE PAGE 104**



FITMENT

- 1995–2009 Dyna® models with staggered exhaust

FEATURES AND BENEFITS

- Up to 17% more horsepower and 9% more torque (when used with Stealth Air Cleaner Kit)
- Race inspired Grand National end caps
- Show quality chrome or black finish
- Deep performance rumble
- 50-state legal
- Removable dB reducer
- Made in USA!



Removable dB reducer



GRAND NATIONAL SLIP-ONS FOR 1995-2009 FOR DYNA

Description	Part #	MSRP
Chrome	550-0719	\$484.95
Black	550-0721	\$499.95

NOT LEGAL FOR SALE OR USE IN CALIFORNIA ON ANY POLLUTION CONTROLLED MOTOR VEHICLES. Not legal for sale or use on EPA pollution controlled motorcycles originally equipped with mufflers containing catalyst. *Qualified Manufacturer Declared Emissions Replacement Part on the Dyna Models Listed Below. California Models: MY 2006-2007, Except CVO models 49 State Models: MY 1995-2009, Except CVO models

WARNING: Cancer and Reproductive Harm — www.P65Warnings.ca.gov

→ REPLACEMENT PARTS: SEE PAGE 102





1984–1999 Evolution®

1936–1984 Vintage Engines

Tools & Shop Supplies

Warranty & Company Policy

Appendix

FITMENT

- 1995–2016 Harley-Davidson® touring models with non-catalyst mufflers

FEATURES AND BENEFITS

- Show quality chrome or black finish
- Economical price
- High flow baffle
- Aggressive sound & excellent HP
- Removable dB reducer
- Made in USA!



Removable dB reducer



GRAND NATIONAL® SLIP-ONS — 4" MUFFLERS FOR 1995–2016 TOURING

Finish	Part #	MSRP
Chrome	550-0689	\$576.95
Black	550-0690	\$601.95

NOT LEGAL FOR SALE OR USE IN CALIFORNIA ON ANY POLLUTION CONTROLLED MOTOR VEHICLES. Not legal for sale or use on EPA pollution controlled motorcycles originally equipped with mufflers containing catalyst. *Qualified manufacturer declared emissions replacement part on the FL touring models listed below. California FL Touring Models: Fuel Injected MY 1995–2003, 2007, and 2009–2016 CVO MY 2000–2003, and 2009–2016 49 State FL touring Models: Carbureted MY 1995–2005 Fuel Injected MY 1995–2005, 2007–2016 CVO MY 2000–2005, and 2009–2016

⚠️ WARNING: Cancer and Reproductive Harm — www.P65Warnings.ca.gov

➔ **REPLACEMENT PARTS: SEE PAGE 102**



Order 608-627-1497



Mk45 4.5" Touring Mufflers are the result of decades of riding, racing and tuning. Combining both a stainless steel baffle and fiberglass packing, they create a deep rumble and improved horsepower and torque, all while adding a unique look with styled aluminum end caps.

Fitment

- 1995-2016 Harley-Davidson® touring models

Features and Benefits

- 7 horsepower gain*
- Bold 4.5" design — with stainless steel baffle and RaceTEX cartridge packing
- Available in show quality chrome or Guardian Black finish
- Choose Cutlass, Thruster, or Tracer end cap designs in chrome or Tuxedo Black
- 50-state legal
- Removable dB reducer
- Made in USA!

*Tested with S&S Power Tune® Dual Header and Stealth Air Cleaner Kit



Black Cutlass-Chrome



Black Cutlass-Black



Black Thruster - Black



Black Thruster - Chrome



Chrome Tracer



Highlight Machined Tracer



Chrome Thruster



Highlight Machined Tracer



Removable dB reducer

MK45 4.5" SLIP-ONS FOR 1995-2016 TOURING MODELS

Finish	End Cap Finish & Style	Part #	MSRP
Chrome	Black Cutlass	550-1017	\$797.95
	Chrome Thruster	550-0620	\$797.95
	Black Thruster	550-0619	\$782.95
	Chrome Tracer	550-0624	\$820.95
	Highlight Machined Tracer	550-0623	\$782.95
Black	Black Cutlass	550-1016	\$775.95
	Black Thruster	550-0621	\$815.95
	Highlight Machined Tracer	550-0625	\$815.95

*Qualified manufacturer declared U.S. 50-State legal emissions replacement part on all MY 2017-2022 FL Touring models

⚠ WARNING: Cancer and Reproductive Harm – www.P65Warnings.ca.gov

NOTE Not recommended for Tri Glide® or other three wheel models including conversions due to ground clearance.

➔ **REPLACEMENT PARTS: SEE PAGE 99**



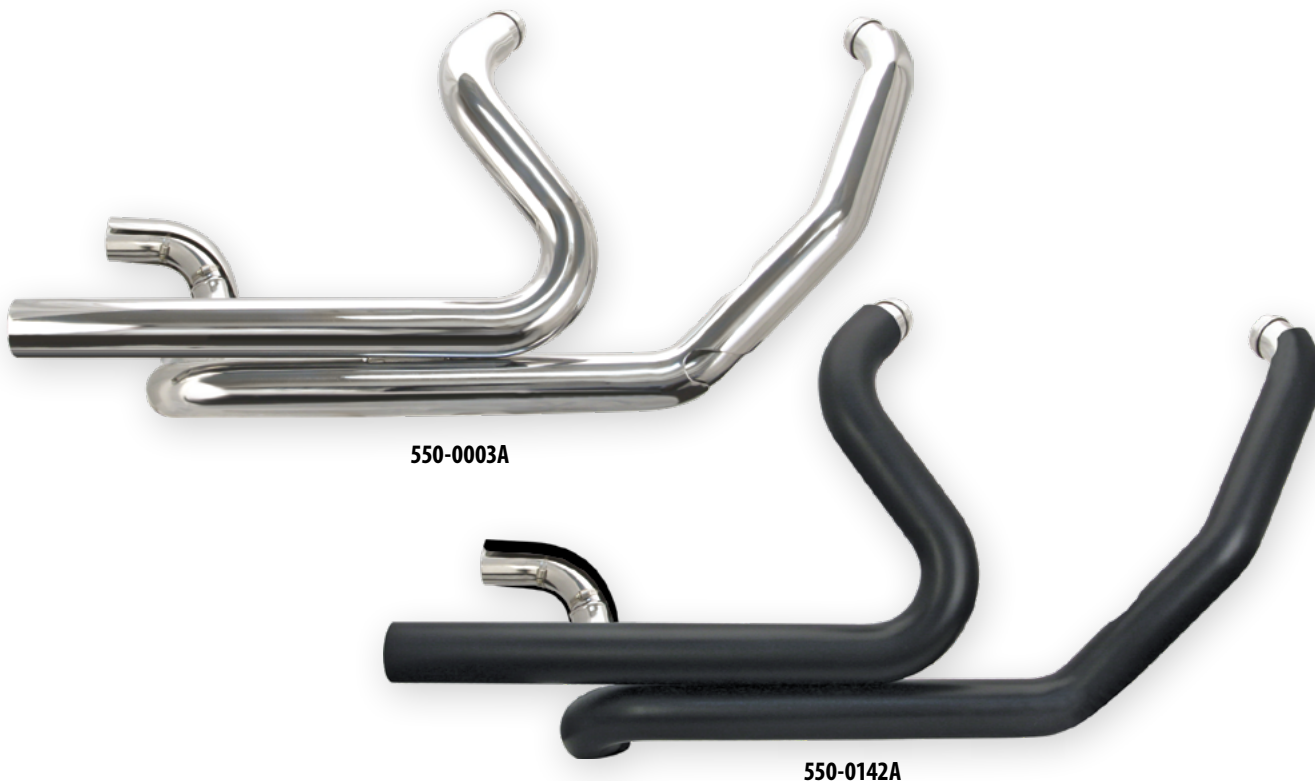
FITMENT

- Non-catalyst equipped Harley-Davidson® touring models
- 1995-'08 touring big twins

FEATURES AND BENEFITS

- Adds 8 horsepower over stock header pipes
- Independent dual look with hidden crossover
- Exclusive design moves the rear cylinder header away from the passenger to reduce radiated heat

- Full chrome or black heat shielding with 220° coverage
- Updated styling to give the bike a modern look
- Oxygen sensor bungs**
- Spherical inlet design for improved sealing and exhaust gasket durability
- Hardware included to mount crossover pipe
- Exhaust port gaskets included
- Made in the U.S.A.



POWER TUNE® DUAL HEADERS FOR 1995-2008 TOURING MODELS

Finish	Part #	MSRP
Chrome	550-0003A	\$674.95
Black	550-1016	\$775.95

**Has 18mm sensor fittings in the stock locations for 2007-'08 bikes. If not equipped with oxygen sensors, the ports can be used for tuning. Plugs are included if ports are not used.
 NOT LEGAL FOR SALE OR USE IN CALIFORNIA ON ANY POLLUTION CONTROLLED MOTOR VEHICLE. Not legal for sale or use on EPA federal pollution controlled vehicles originally equipped with catalyst.
 *Qualified manufacturer declared emissions replacement part on FL touring models listed below.
 California Models:
 FL Touring Fuel Injected MY 1995-2003, and 2007
 CVO FL Touring MY 2000-2003
 49 State Models:
 FL Touring Carbureted MY 1995-2005
 FL Touring Fuel Injected MY 1995-2005 and 2007-2008
 CVO FL Touring MY 2000-2005

⚠️ WARNING: Cancer and Reproductive Harm — www.P65Warnings.ca.gov

SPECIAL NOTES:

It may be necessary to re-jet the carburetor or recalibrate the fuel injection system for best performance when a change is made in the exhaust system. Dyno results are from tests performed at the S&S® Research and Development facility in Viola, Wisconsin.

➔ **REPLACEMENT PARTS: SEE PAGE 107**



Order 608-627-1497

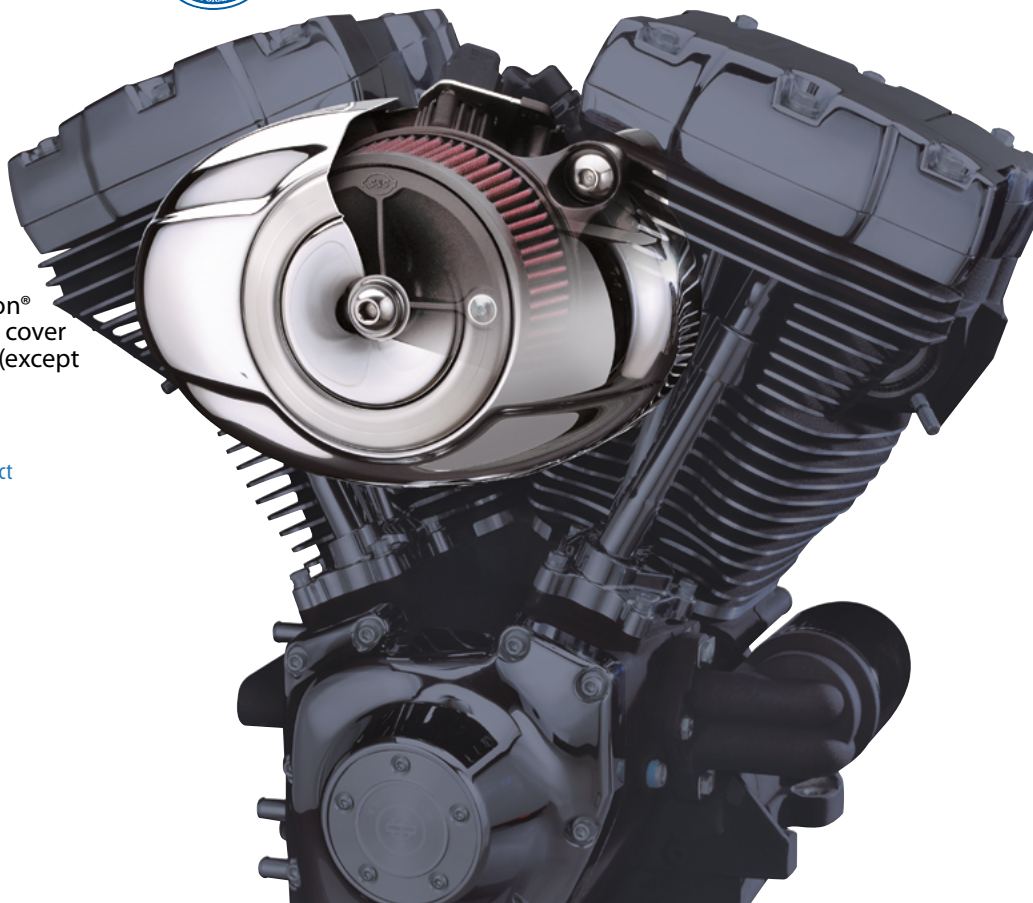
FITMENT

- 1993–'99 big twins

FEATURES AND BENEFITS

- Air directional stinger cone in the filter
- Use with any of several S&S designed covers. See PAGE 15
- Or use with your stock Harley-Davidson® Twin Cam 88®, 96™ or 103™ air cleaner cover — the word "sleeper" comes to mind (except 2015 air cleaner covers)
- High flow (1" taller) filter kit available

NOTE: Fuel injection tuning is not required for this product



STEALTH AIR CLEANER KITS* — NO COVER			
Application	Fuel System	Part #	MSRP
1993–'99 bt	Stock CV	170-0100	\$195.95
	S&S Super E & G Carbs	170-0057	\$195.95

NOT LEGAL FOR SALE OR USE IN CALIFORNIA ON ANY POLLUTION CONTROLLED MOTOR VEHICLE. NOT LEGAL FOR SALE OR USE NATIONWIDE ON ANY FEDERAL POLLUTION CONTROLLED MOTOR VEHICLE UNDER THE CLEAN AIR ACT*These kits do not contain covers—Choose an S&S cover on PAGE 15

STEALTH AIR CLEANER KITS* FOR S&S ENGINES			
Fitment	Fuel System Type	Part #	MSRP
V111 Long Block 1984–'99 bt (p/n 310-0766)	S&S E or G Carburetor	170-0057	\$195.95
V111 Long Block 1984–'99 bt (p/n 310-0766)	Stock CV/EFI Delphi®	170-0100	\$195.95
V80 Long Block 1984–'99 bt (p/n 310-0233 & 310-0232)	S&S E or G Carburetor	170-0057	\$195.95
V80 Long Block 1984–'99 bt (p/n 310-0233 & 310-0232)	Stock CV/EFI Delphi®	170-0100	\$195.95
1995–1999 S&S Super Stock Engines	S&S Single Bore VFI 52mm Throttle Bodies, Super E/G	170-0287	\$254.95
1995–1999 EFI big twins	S&S Single Bore VFI 58mm Throttle Bodies	170-0283	\$254.95
1999–2017 EFI big twins	S&S Single Bore VFI 58mm Throttle Bodies	170-0284	\$254.95

NOT LEGAL FOR SALE OR USE IN CALIFORNIA ON ANY POLLUTION CONTROLLED MOTOR VEHICLE. NOT LEGAL FOR SALE OR USE NATIONWIDE ON ANY FEDERAL POLLUTION CONTROLLED MOTOR VEHICLE UNDER THE CLEAN AIR ACT

→ **REPLACEMENT PARTS: SEE 86**



Stealth Tribute



Carbon Fiber



Teardrop



Air 1



Mini in Gloss Black



Airstream in Chrome



Torker



Tri-Spoke



Airstream in Gloss Black



111



124



143

STEALTH COVERS

Tribute		Teardrop		Teardrop—Slasher		Carbon Fiber	Mini	
Chrome	Gloss Black	Chrome	Gloss Black	Chrome	Gloss Black	Black	Chrome	Gloss Black
170-0592	170-0593	170-0530	170-0531	170-0532	170-0533	170-0501	170-0367	170-0366
\$203.95	\$203.95	\$205.95	\$203.95	\$216.95	\$214.95	\$356.95	\$203.95	\$203.95

Tri-Spoke	Torker	Air 1	Airstream		Displacement		
Gloss Black w/Highlights	Gloss Black w/Highlights	Gloss Black w/Highlights	Chrome	Gloss Black	111	124	143
170-0210	170-0206	170-0214	170-0118	170-0396	170-0319	170-0321	170-0323
\$193.95	\$193.95	\$193.95	\$193.95	\$195.95	\$203.95	\$203.95	\$203.95

⚠️ WARNING: Cancer and Reproductive Harm – www.P65Warnings.ca.gov



Order 608-627-1497

FITMENT

- 1984-'99 big twins
- S&S V-Series engines

FEATURES AND BENEFITS

- Uniquely designed backplate has air horn style radiused entryway to reduce turbulence
- Dimpled cover with directional air cone on inside creates smooth path for air
- Great addition to performance exhaust or cams

KIT CONTENTS

- Filter
- Classic Teardrop air cleaner cover
- Backing plate
- All mounting hardware



17-0450

CLASSIC TEARDROP AIR CLEANER KITS					
Model/Engine	Finish	Stock Carb/EFI	MSRP	S&S Super E/G	
1993-'06 carbureted big twins	Chrome	17-0450	\$329.95	17-0404	\$316.95
	Gloss Black	170-0181A	\$336.95	-	
1990-'92	Chrome	-		17-0399	\$316.95
1984-'89	Chrome	-		17-0399	\$316.95
S&S 4 1/8" Bore Engines	Slasher Chrome	-		17-0416	\$316.95

NOT LEGAL FOR SALE OR USE IN CALIFORNIA ON ANY POLLUTION CONTROLLED MOTOR VEHICLE. NOT LEGAL FOR SALE OR USE NATIONWIDE ON ANY FEDERAL POLLUTION CONTROLLED MOTOR VEHICLE UNDER THE CLEAN AIR ACT

⚠️ WARNING: Cancer and Reproductive Harm — www.P65Warnings.ca.gov

→ REPLACEMENT PARTS STARTING ON PAGE 91



17-0071



17-0378



170-0384A



17-0004

CLASSIC TEARDROP AIR CLEANER COVERS			
Style	Finish	Part #	MSRP
Classic Teardrop	Chrome	17-0378	\$193.95
	Gloss Black	170-0384A	\$193.95
Slasher Teardrop	Chrome	17-0004	\$193.95
	Gloss Black	170-0419	\$191.95
Nostalgic Teardrop	Polished	17-0071	\$224.95

⚠️ WARNING: Cancer and Reproductive Harm — www.P65Warnings.ca.gov

NOTE: Fuel delivery (carbureted or EFI) may need to be modified to maintain the correct air and fuel mixture.



FITMENT

- S&S Classic Teardrop air cleaners for Super E & G carbs and S&S EFI throttle bodies

FEATURES AND BENEFITS

- Low restriction filter element comes pre-oiled for true plug and play installation

- 1" wider filtration area provides up to 37% more airflow over standard S&S filters
- Resulting band of exposed filter material imparts a high performance look

KIT CONTENTS

- Wide filter
- Filter spacers

HIGH FLOW AIR FILTERS			
Description	Fitment	Part #	MSRP
High Flow Air Filter Kit (includes spacers)	Classic Teardrop	17-0045	\$81.95
	Stealth, 1" Taller	170-0127*	\$91.95
1" Taller Filter Only	Super E/G	106-4724	\$40.95
	Stealth	170-0154	\$61.95
Spacer	Classic Teardrop & Stealth, 1" Taller	50-5009-S	\$19.95

* NOT LEGAL FOR SALE OR USE IN CALIFORNIA ON ANY POLLUTION CONTROLLED MOTOR VEHICLE. NOT LEGAL FOR SALE OR USE NATIONWIDE ON ANY FEDERAL POLLUTION CONTROLLED MOTOR VEHICLE UNDER THE CLEAN AIR ACT



Standard Replacement Filters

STANDARD REPLACEMENT AIR FILTERS			
Description	Fitment	Part #	MSRP
Standard Filter Only	Classic Teardrop	106-4722	\$30.95
	Stealth	170-0126	\$61.95



Pre-Filters

FITMENT

- S&S® Stealth Air Filters

FEATURES AND BENEFITS

- Water resistant
- Prevents large debris from prematurely clogging filter

- Washable Nylon
- Promotes longer filter life
- Reduces the risk of water entering air intake system

PRE-FILTERS		
Application	Part #	MSRP
Standard Stealth Air Filter	170-0193	\$61.95
1" Tall Stealth Air Filter	170-0197	\$61.95

170-0197



Breather Conversion Kit

FITMENT

- 1993-'99 big twin

FEATURES AND BENEFITS

- Instead of o-rings, banjo fittings are sealed with durable silicon coated washers

Breather conversion kit for big twin engines updates earlier S&S air cleaner kits for 1993-'99 big twins to the latest breather hardware.



BREATHER CONVERSION KIT		
Application	Part #	MSRP
1993-'99 big twins	17-0486	\$51.95

1984-1999 Evolution®
1936-1984 Vintage Engines
Tools & Shop Supplies
Warranty & Company Policy
Appendix





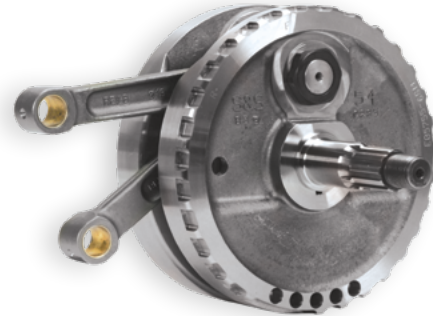
SIDEWINDER® KITS

S&S 3 5/8" big bore/stroker kits are available from 88" to 103" displacement (See PAGE 22). We recommend the 96" kit for most applications, and it is our most popular. The 96" Sidewinder is also available as a Hot Set Up Kit, which includes the extra performance goodies you need to make the most of the increased displacement.



89" STOCK BORE STROKER

S&S has been making stock bore stroker kits since the early 1960s. They're still popular today due to the excellent power gains for the money, as well as the easy installation. Stock bore strokers reuse the stock cylinders and crankcase, so the kits are economical to buy. Since they don't require expensive crankcase modifications, they are also economical to install (See PAGE 30). To ensure maximum performance, we suggest the 89" Stroker Hot Set Up Kit that also includes an S&S camshaft, carb, pushrods, and S&S cylinder heads.



PERFORMANCE KIT SPECIFICATIONS FOR HARLEY-DAVIDSON® EVOLUTION® BIG TWIN ENGINES

Description	Bore	Stroke	Compression Ratio				Cam-shaft	HP	Torque
			Stock Heads	Performance Replacement Heads 76cc	Performance Replacement Heads 82cc	S&S® Super Stock® Heads		S&S Heads	
Sidewinder® Kit	3 5/8"	*	*	*	*	*	-	*	*
89" Stroker Kit	3 1/2"	4 5/8"	9.25	9.4:1	8.9:1	10:1	-	95.0	97.6

*Specifications depend on kit selected. See PAGE 22.

PERFORMANCE KIT CONTENTS, OPTIONS, & REQUIREMENTS FOR HARLEY-DAVIDSON® EVOLUTION® BIG TWIN ENGINES

Description	Package Contents								Machining Required	Rejetting Or Calibration Change
	Flywheels	Cylinders	Pistons W/Rings	Pushrods	Camshaft	Valve Springs	Heads W/ Springs	Gaskets		
Sidewinder® Kit**		•	•				①	•	③ ④	•
89" Stroker Kit	•	⑦	①				①		② ⑤	•

① = Optional
 ① = Order separately
 ② = Bore & hone cylinders
 ③ = Crankcase machining crankpin clearance
 ④ = Crankcase machining for cylinder spigots
 ⑤ = Camshaft selection
 ⑥ = Combustion chamber size selection
 ⑦ = Cylinder & piston set available

**Specifications depend on kit selected



Order 608-627-1497

FITMENT

- 1984-'99 carbureted

FEATURES AND BENEFITS

- Large displacement at a relatively small price
- Significant increase in horsepower and torque

OPTIONS

- Top end kits for 80" engines and engines with S&S 89" stroker kits 96" displacements available
- Valve train items — Cams, tappets, valve springs, rocker arms, rocker covers



91-7660

COMPLETE S&S® SIDEWINDER® KITS FOR HARLEY-DAVIDSON® EVOLUTION® BIG TWIN ENGINES SPECIFICATIONS

Displacement	Stroke	Compression Ratio	Cylinder Length
96"	4 ⁵ / ₈ "	9.75:1	5.565"



91-7661

COMPLETE S&S® SIDEWINDER® KITS FOR HARLEY-DAVIDSON® EVOLUTION® BIG TWIN ENGINES

Finish	Part #	MSRP
Natural	91-7202*	\$1,256.95
	91-7660	\$2,564.95
Wrinkle Black	91-7702*	\$1,366.95
	91-7661	\$2,564.95

*Denotes big bore Top End Kit only.

NOT LEGAL FOR SALE OR USE IN CALIFORNIA ON ANY POLLUTION CONTROLLED MOTOR VEHICLE. NOT LEGAL FOR SALE OR USE NATIONWIDE ON ANY FEDERAL POLLUTION CONTROLLED MOTOR VEHICLE UNDER THE CLEAN AIR ACT

NOTES: Cases must be bored to accept 3⁵/₈" bore cylinders, and a minor crankcase clearancing operation for the crankpin nut must be performed.

Extra parts needed: 1977-'89 style pinion gear and oil pump drive Gears must be used when installing S&S flywheels in 1990-'99 engines.

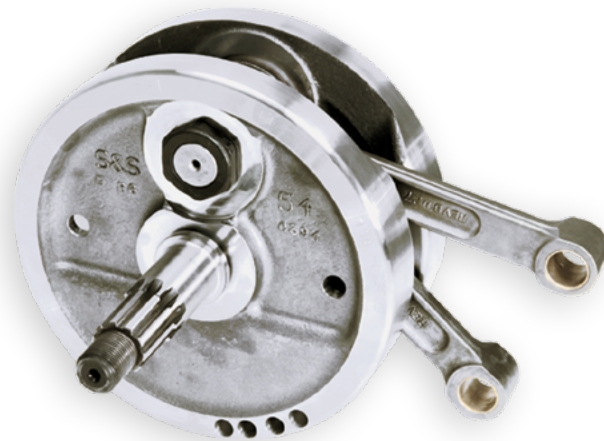


FITMENT

- 1984-'99 carbureted engines
- 1995-'98 EFI engines

FEATURES AND BENEFITS

- Stock, S&S Super Stock® or performance replacement heads can be used with this configuration, depending on which pistons are purchased with the stroker flywheels.
- 89" strokers can be installed in carbureted or fuel injected engines. Note that recalibration of the fuel injection system is required.
- Requires a simple crankcase clearance operation and normal piston fitting.
- Low cost boost in performance — Add S&S 35/8" cylinders later for 96" engine



32-2230

S&S® 89" STOCK BORE STROKER KITS FOR HARLEY-DAVIDSON® EVOLUTION® ENGINES SPECIFICATIONS

Displacement	Stroke	Bore	Compression Ratio*	Piston Type	Cylinder Length
89"	4 7/8"	3 1/2"	9.25:1	Forged	Stock

*Compression ratio with stock heads.

1990 and later installations require 1977 to 1989 pinion shaft gears. Kit 33-4148 includes cam and oil pump drive gears, spacer and nut.

FLYWHEEL ASSEMBLIES FOR S&S® 89" STOCK BORE STROKER KITS FOR HARLEY-DAVIDSON® EVOLUTION® ENGINES

Application	Part #
Carbureted	32-2230
Fuel Injected	32-2146

! THESE KITS REQUIRES SPECIAL S&S PISTONS. Order the required piston oversize from the chart below.

31/2" BORE FORGED STROKER PISTON KITS FOR STOCK HEADS OR S&S PERFORMANCE REPLACEMENT HEADS

Standard	MSRP	+ .010"	MSRP	+ .020"	MSRP	+ .030"	MSRP
106-5554	\$469.95	106-5555	\$469.95	106-5556	\$469.95	106-5793	\$469.95

Piston kits include set of pistons, rings, wristpins, and clips. Recommended cast piston fitment: Close: 0.0008" - 0.0013" Loose: 0.0020" - 0.0025"



31/2" BORE FORGED PISTON KITS FOR S&S® SUPER STOCK® HEADS

Displacement	Stroke	Piston Deck Height	CR	Standard	MSRP	+0.010"	MSRP	020	MSRP
89" LC	4 7/8"	1.1875"	10:1	92-2046	\$479.95	92-2047	\$469.95	92-2048	\$469.95
89" HC	4 7/8"	1.1875"	12.2-1	92-2016	\$484.95	-	-	92-2018	\$469.95

Piston kits include set of pistons, rings, wristpins, and clips. Recommended cast piston fitment: Close: 0.0008" - 0.0013" Loose: 0.0020" - 0.0025"

NOTES: If ordering replacement pistons for an older 89" Stroker Kit, the flywheels will require rebalancing.
S&S Super Stock cylinder heads do not have provision for the stock head temperature sensor. For this reason they are not compatible with fuel injected applications. Fuel injected stroker engines must use stock cylinder heads or S&S performance replacement heads. (See PAGE 46)



Order 608-627-1497

S&S engines for 1984-’99 Harley Davidson® big twins with carbureted Evolution® engines are available as complete engines. V80 and V111 engines are also available as long blocks, with no fuel or ignition systems. Choose from natural, as-cast aluminum finish, wrinkle black powder coat, or Black Edition finishes. In addition to the S&S line of Performance Engines, emissions compliant engines are available that meet EPA, CARB, and European Union requirements for certain models.

BLACK EDITION

S&S Cycle’s new Black Edition engines combine classic wrinkle black with high gloss black powder coated covers for a subtle contrast and elegant look while still producing the power and reliability you’ve come to expect.

V124 (124 CID)

The V124 engine first appeared in the S&S Catalog in 2002, and being the biggest engine we make that will fit in a stock frame for this year group, has been the go-to engine for daily rider hot rods. Natural aluminum, wrinkle black powder coat, or polished finishes. Available as a complete engine only in performance and emissions compliant versions.

V111 (111 CID)

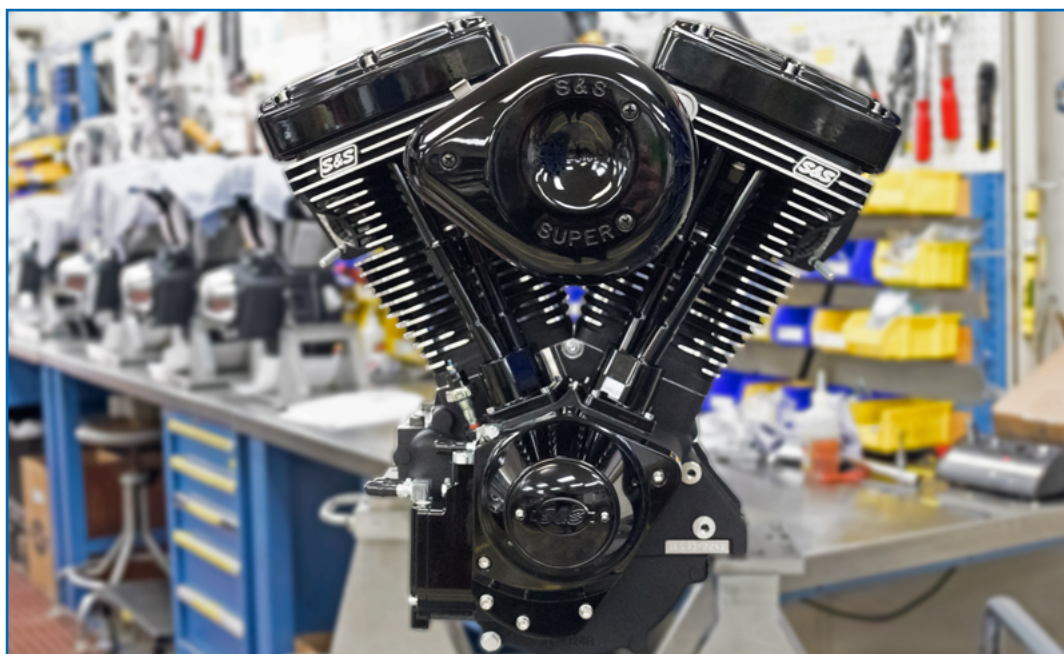
The S&S V111 engine was engineered to be the ultimate sport touring engine. The shorter stroke produces less vibration and engine noise, and it increases engine life. The 111 cid produces plenty of power. Available in natural aluminum, wrinkle black, polished, or black edition finishes. Performance versions are available as long blocks or complete engines. Emissions compliant versions are available as complete engines only. Super E carbs and HI-4N ignition modules are recommended engine management for long blocks.

V96 (96 CID)

The S&S V96 engine has been a popular choice with performance riders and builders since it was introduced in the mid-1990s. Near stock engine height makes it easy to install, and there’s plenty of power to pass. Available in natural aluminum, wrinkle black, or polished finishes. Complete engines only. Performance and emissions compliant versions are available.

V80 (80 CID)

The S&S V80 engine is logical choice for riders who just want to repower their trusty Evolution® powered Harley-Davidson® big twin. With slightly more power than a stock 80” engine, the V80 offers great engine life, low vibration, and trouble free operation. Natural aluminum or wrinkle black powder coat finishes. Available as a complete engine or as a long block, without fuel or ignition systems. Super E carbs and HI-4N ignition modules are recommended engine management for long blocks.





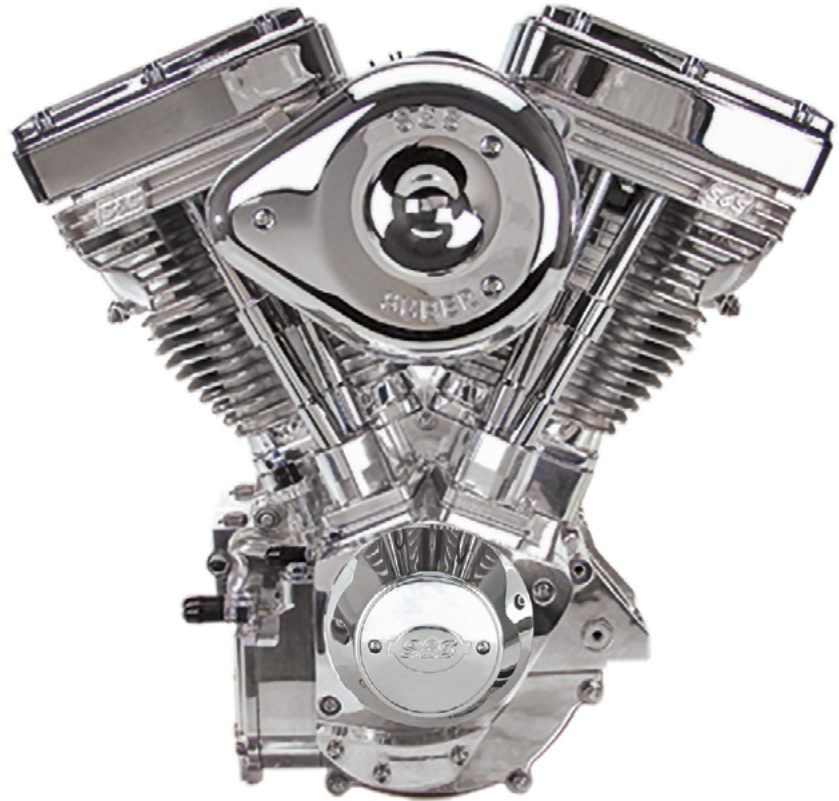
Certified for “new build” bikes, S&S offers the 124 for 49-state EPA engine packages.

FITMENT

- Aftermarket frames with motor mounts for 1984–’99 big twins

FEATURES AND BENEFITS

- 49-state emissions legal
- S&S Delphi® style EFI with Classic Teardrop air cleaner cover
- Chrome gearcover, tappet covers, and rocker covers
- Includes all required certification, documentation and labels
- Two-year warranty



S&S® V-SERIES 49-STATE EPA ENGINE SPECIFICATIONS

Engine Name	Displacement	Bore	Stroke	Camshaft	Piston Type	Compression Ratio
V124ei	124"	4 1/8"	4 5/8"	543	S&S Forged	9.0:1

V-SERIES 49-STATE EPA ENGINE

Engine Name	Chassis Style	Fuel Delivery	Warranty	Finish	Part #	MSRP
V124ei	1984–’99 carb	EFI	2 years	Polished	310-0665	\$11,824.95

WARNING: Cancer and Reproductive Harm – www.P65Warnings.ca.gov

NOTE: These engines are not to be used in a previously certified vehicle or a custom motorcycle built from a previously certified vehicle.

S&S 49-state engine packages are only available through S&S dealers and select distributors.

Requirements for bikes built with S&S EPA certified engine packages:

Vehicles must have a maximum N/V ratio* of no greater than 43.3 for V-Series engines.

Maximum vehicle curb mass is 1058 lbs.

Exhaust system selected must create back pressure within the specified limits. Min. 3" H2O, Max. 21" H2O

*Engine rpm divided by miles per hour in top gear.



Order 608-627-1497

Why rebuild that old stock engine? Upgrade, and replace it with an all-new S&S® V111 or V80 engine. Get a 2-year warranty and a lot more power!

FITMENT

- 1984-'99 Harley-Davidson® big twin chassis and custom frames designed for Evolution® big twin engines.

FEATURES AND BENEFITS

- Save time — Replacement is faster than rebuilding.
- Save money — Fuel and ignition systems not included, use the carburetor, air cleaner, and aftermarket ignition you may already have.
- Specially machined cylinder heads allow use of stock length manifolds. Use your existing carb (*re-jetting is required*)
- EFI compatible — Calibration required (*must use aftermarket module or add-on tuner*).
- Premium S&S Components — S&S cylinder heads, S&S 585 valve springs, forged rocker arms
- Made in the USA!

V111

- Easy Installation — Actually shorter than a stock engine. No clearance problems.
- More Power — 111 cubic inches at 9.8:1 compression—runs great on pump gas.
- Superior Cooling — S&S big-fin cylinders with more fin area, and exclusive oil jets to cool the bottom of the pistons.
- S&S HVHP oil pump.

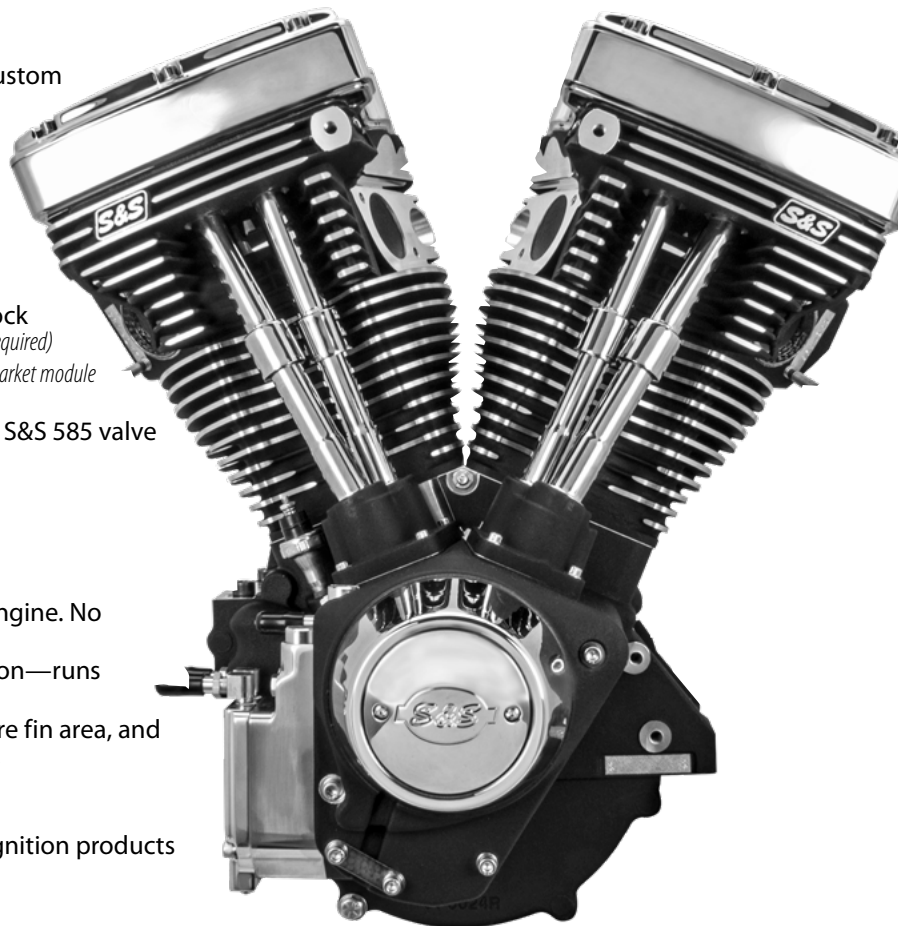
For maximum performance, the following fuel and ignition products are recommended:

CARBURETED APPLICATIONS

- S&S Super E Carb Kit—11-0419
- S&S HI-4N Ignition Module Only—550-0501
- S&S HI-4N Ignition, complete Kit—550-0502

SUGGESTED ACCESSORIES

- Stealth Air Cleaner Kits. [See PAGE 18](#)



310-0766

V-SERIES LONG BLOCK ENGINES									
Displacement	Bore	Stroke	Cam-shaft	Piston Type	Compression Ratio	Warranty	Finish	Part #	MSRP
V111	4 1/8"	4 1/8"	585	Forged	9.8:1	2 Year	Wrinkle Black	310-0766	\$7,079.95
							Black Edition	310-0829	\$7,179.95
V80	3 1/2"	4 1/4"	508	Cast	8.4:1	2 Year	Wrinkle Black	310-0233	\$6,369.95
							Natural	310-0232	\$6,209.95

NOT LEGAL FOR SALE OR USE IN CALIFORNIA ON ANY POLLUTION CONTROLLED MOTOR VEHICLE. NOT LEGAL FOR SALE OR USE NATIONWIDE ON ANY FEDERAL POLLUTION CONTROLLED MOTOR VEHICLE UNDER THE CLEAN AIR ACT WARNING: Cancer and Reproductive Harm — www.P65Warnings.ca.gov



FITMENT

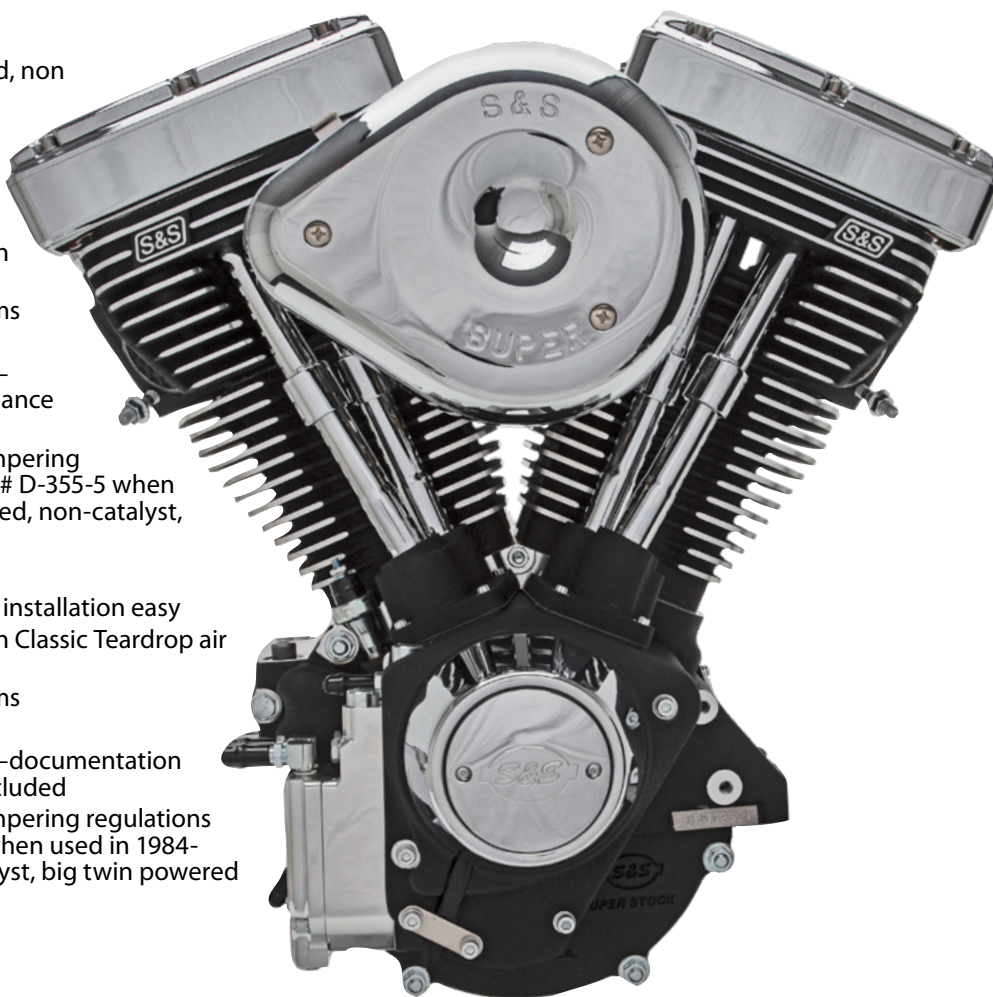
- V96R—1984–'98 carbureted, non catalyst bikes

V96R FEATURES AND BENEFITS

- Nearly stock height engine makes installation easy
- S&S Super E carburetor with Classic Teardrop air cleaner
- S&S forged roller rocker arms
- Chrome rocker covers
- No certification problems—documentation and compliance stickers included
- Exempt from emissions tampering regulations under CARB EO# D-355-5 when used in 1984-1998 carbureted, non-catalyst, big twin powered models

V80R FEATURES AND BENEFITS

- Stock height engine makes installation easy
- S&S Super E carburetor with Classic Teardrop air cleaner
- S&S forged roller rocker arms
- Chrome rocker covers
- No certification problems—documentation and compliance stickers included
- Exempt from emissions tampering regulations under CARB EO# D-355-5 when used in 1984-1998 carbureted, non-catalyst, big twin powered models



S&S® V-SERIES 50-STATE LEGAL ENGINE SPECIFICATIONS

Engine Name	Displacement	Bore	Stroke	Camshaft	Piston Type	Compression Ratio
V96R	96"	3 5/8"	4 5/8"	520	S&S Forged	10.1:1
V80R	80"	3 1/2"	4 1/4"	520	S&S Forged	10.1

V-SERIES 50-STATE LEGAL ENGINES

Engine Name	Chassis Style	Fuel Delivery	Ignition	Warranty Period	Finish	Part #	MSRP
V96R	1984–'98 carb	Super E Carb	Super Stock®	2 years	Wrinkle Black	31-9156*	\$8,519.95
V80R	1984–'98 carb	Super E Carb	Super Stock®	2 years	Wrinkle Black	31-9150	\$7,329.95

Exempt from emissions tampering regulations under CARB EO# D-355-5 when used in 1984-1998 carbureted, non-catalyst, big twin powered models

WARNING: Cancer and Reproductive Harm — www.P65Warnings.ca.gov

NOTES:

V96R/V80R

Gearing must be stock or have an N/V Ratio*lower than stock.

A stock non-catalyst exhaust system must be used.

The stock evaporative system must be retained and connected to the engine as shown in the manual.

S&S® replacement engines are only for use as a replacement engine in 1984–'98 Harley-Davidson motorcycles originally equipped with a carbureted, non-catalyst, big twin Evolution® engine. They may not be used in any new or previously registered custom motorcycles.

*Engine rpm divided by miles per hour in top gear.

This replacement engine is only legal when used to replace a stock 80" Evolution® engine. CARB compliance stickers must be affixed to frame.



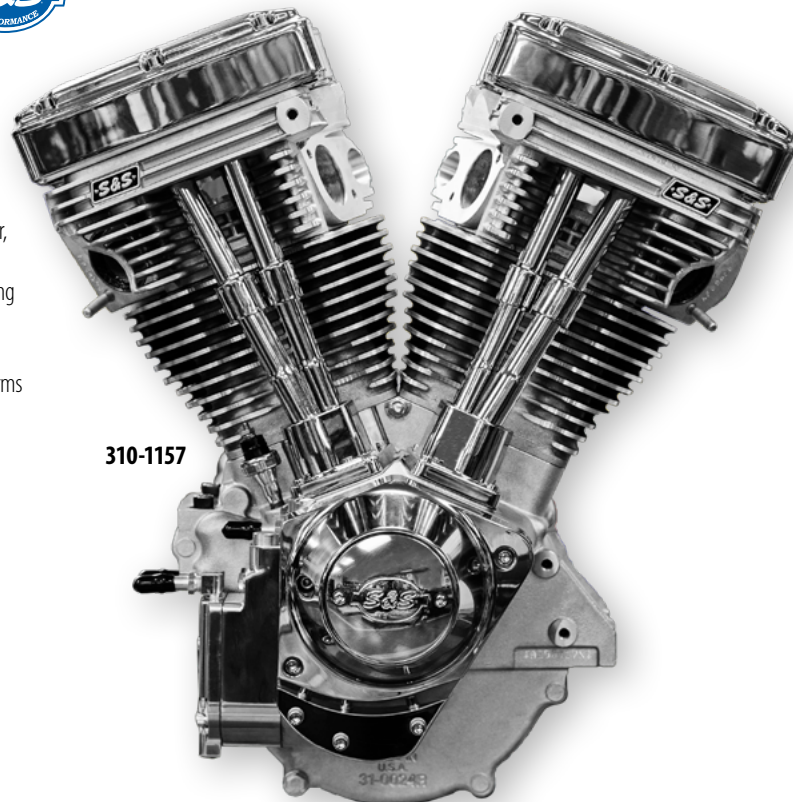
For 1984-'99 Big Twin Engines

FITMENT

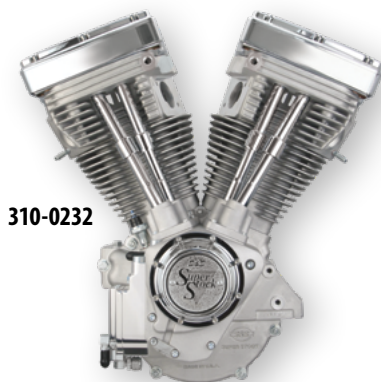
- 1984-'99 big twins

FEATURES AND BENEFITS

- Save time — Replacement is faster than rebuilding.
- Save money — Fuel and ignition systems not included, use your carburetor, air cleaner, and aftermarket ignition
- Specially machined cylinder heads allow use of stock length manifolds. Use your existing carb (re-jetting is required)
- EFI compatible — Crank and case machined for crank position sensor
- Premium S&S Components — S&S cylinder heads, S&S valve springs, forged rocker arms
- Made in the USA!



310-1157



310-0232



310-1158



310-1158

V-SERIES LONG BLOCK ENGINES		
DESCRIPTION	PART NUMBER	MSRP
NATURAL V111 LONG BLOCK ENGINE W/O INDUCTION/IGNITION, 585 CAM, AND CAST GEAR COVER	310-1157	\$6,759.95
BLACK EDITION V124 LONG BLOCK ENGINE W/O INDUCTION/IGNITION, 640 CAM, AND GLOSS BLACK BILLET GEAR COVER	310-1158	\$7,299.95
CHROME AND WINKLE BLACK V124 LONG BLOCK ENGINE W/O INDUCTION/IGNITION, 640 CAM, AND CHROME BILLET GEAR COVER	310-1159	\$7,299.95
CHROME AND NATURAL V124 LONG BLOCK ENGINE W/O INDUCTION/IGNITION, 640 CAM, AND CHROME BILLET GEAR COVER	310-1160	\$7,299.95

FOR CLOSED COURSE COMPETITION USE ONLY. NOT INTENDED FOR STREET USE. LEGAL IN CALIFORNIA ONLY FOR RACING VEHICLES WHICH MAY NEVER BE USED, OR REGISTERED OR LICENSED FOR USE, UPON A HIGHWAY. NOT LEGAL FOR SALE OR USE NATIONWIDE ON ANY FEDERAL POLLUTION CONTROLLED MOTOR VEHICLE UNDER THE CLEAN AIR ACT.

NOTE: Requires an aftermarket performance carburetor and ignition

Order 608-627-1497



1984–1999 Evolution®

1936–1984 Vintage Engines

Tools & Shop Supplies

Warranty & Company Policy

Appendix



Order 608-627-1497

FITMENT

- 1984-'99 big twins under 4" bore

FEATURES AND BENEFITS

- Relocated cam chest oil pick-up increases gear case scavenging and virtually eliminates oil carry-over at sustained high speeds
- Machined to accept the stock oil filter assembly used on 1992-'99 big twins
- A ported breather passageway and a machined breather window allows the air/oil mist to flow from the flywheel cavity to the cam chest of the engine with the least possible restriction
- Crankcase venting can be achieved via two crankcase breathers, the cylinder heads, or both. We recommend using both crankcase breathers in engines larger than 95"
- Clearance for strokes as long as 5"
- Compatible with stock 1984-'99 flywheel assemblies, primary covers and gearcovers, making them perfect for stock replacement or high performance applications
- Machined for installation of a crank position sensor. This allows the cases to be used in stock EFI applications and also allows easy installation of S&S IST® Ignition and VFI Fuel Injection. A plug kit is included for applications that do not use a crank position sensor

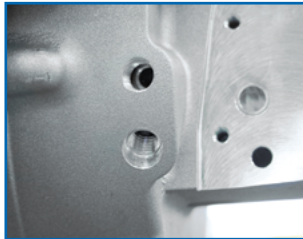
- Exempt from emissions tampering regulations under CARB EO# D-355-8 when used with stock bore cylinders for 3½" Bore (stock)

OPTIONS

- Available for stock, 3⅝", and 3⅜" bore applications with deck heights as much as ⅜" taller than 3½" stock

KIT CONTENTS

- Crankcase assembly
- All required hardware, fittings, and bearings



Two crankcase breather holes allows increased flexibility.



Relocated oil scavenger pick-up reduces oil carry-over by increasing oil scavenger efficiency.

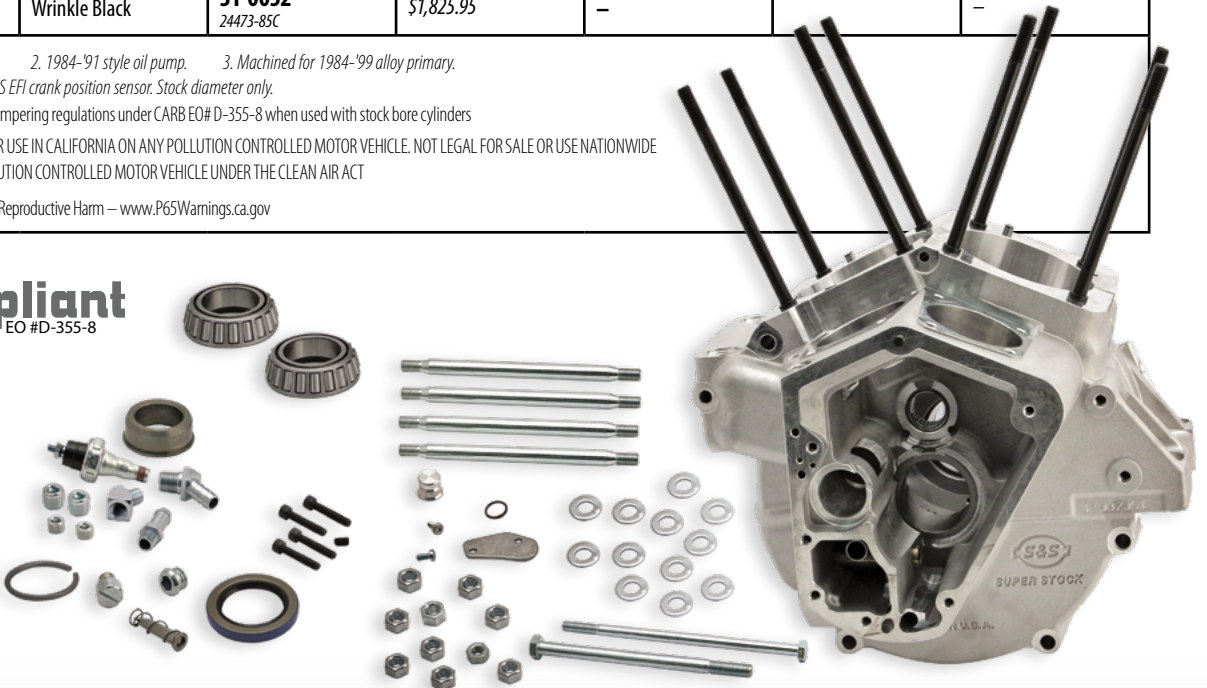


NOTE: All S&S crankcases manufactured after June 1, 2008 do not have case interlock groove and ring and do not use case alignment studs. Case mating surface is flat, and cases are aligned with alignment dowels.

→ **REPLACEMENT PARTS: SEE PAGE 69**

SUPER STOCK® ALTERNATOR CRANKCASES FOR 1984-'99 BIG TWIN						
Crankcase Style	Finish	3½" Bore (Stock)	MSRP	3⅝" Bore	Notes	MSRP
1992-'99	Natural	31-0005** 24469-83C, 24469-83A	\$1,617.95	-	1, 3, 4	-
	Wrinkle Black	31-0055** 24571-93, 24569-95	\$1,825.95	31-0078		\$1,843.95
1984-'91	Natural	31-0000** 24469-83C, 24469-83A	\$1,647.95	31-0001***	2, 3, 4	\$1,601.95
	Wrinkle Black	31-0052** 24473-85C	\$1,825.95	-		-

1. 1992-'99 style oil pump. 2. 1984-'91 style oil pump. 3. Machined for 1984-'99 alloy primary.
4. Machined for stock or S&S EFI crank position sensor. Stock diameter only.
**Exempt from emissions tampering regulations under CARB EO# D-355-8 when used with stock bore cylinders
*** NOT LEGAL FOR SALE OR USE IN CALIFORNIA ON ANY POLLUTION CONTROLLED MOTOR VEHICLE. NOT LEGAL FOR SALE OR USE NATIONWIDE ON ANY FEDERAL POLLUTION CONTROLLED MOTOR VEHICLE UNDER THE CLEAN AIR ACT
 WARNING: Cancer and Reproductive Harm — www.P65Warnings.ca.gov





FITMENT

- 1984–'99 big twins—4" bore and over
- S&S 4", 4 1/8" bore V-Series engines

FEATURES AND BENEFITS

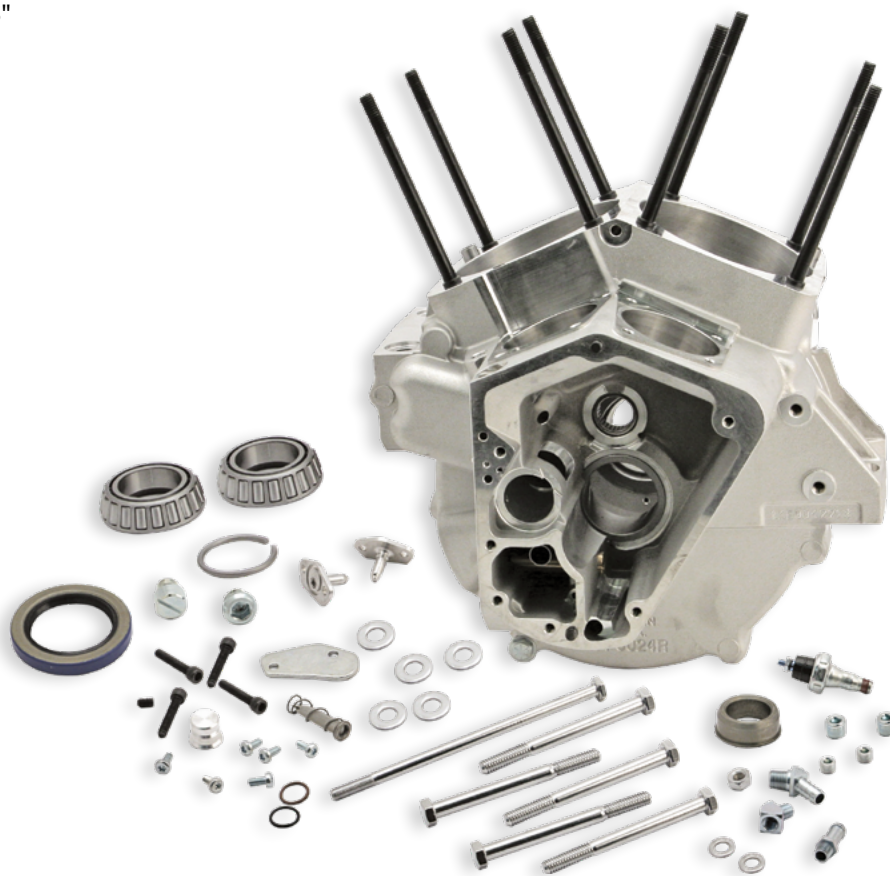
- Cam chest is moved outward .250" to allow crankcases to handle large cylinder bore sizes
- Relocated cam chest oil pick-up increases gear case scavenging and virtually eliminates oil carry-over at sustained high rpm
- Machined to accept the stock oil filter assembly used on 1992–'99 big twins
- A ported breather passageway and a machined breather window allows the air/oil mist to flow from the flywheel cavity to the cam chest of the engine with the least possible restriction
- Crankcase venting can be achieved via two crankcase breathers, the cylinder heads, or both! We recommend using both crankcase breathers in engines larger than 95"

- Clearanced for strokes as long as 5"
- Machined for installation of a crank position sensor. This allows the cases to be used in EFI applications and also allows easy installation of S&S IST® Ignition and VFI Fuel Injection. A plug kit is included for applications that do not use a crank position sensor

KIT CONTENTS

- Crankcase assembly
- All required hardware, fittings, and bearings

NOTE: All S&S crankcases manufactured after June 1, 2008 do not have case interlock groove and ring and do not use case alignment studs. Case mating surface is flat, and cases are aligned with alignment dowels.



SPECIAL APPLICATION ALTERNATOR CRANKCASES FOR 1984–'99 BIG TWIN*

Crankcase Style	Bore	Deck Height	Natural	MSRP	Wrinkle Black	MSRP
1984–'99*	4"	5.875"	31-0047	\$1,764.95	–	–
1984–'99*	4 1/8"	6.000"	31-0033	\$1,988.95	31-0037	\$2,101.95

*1992–'99 style oil pump, machined for 1984–'99 alloy primary, machined for stock or S&S EFI crank position sensor. Stock diameter only.

WARNING: Cancer and Reproductive Harm – www.P65Warnings.ca.gov

→ **REPLACEMENT PARTS: SEE PAGE 73**



Order 608-627-1497

FITMENT

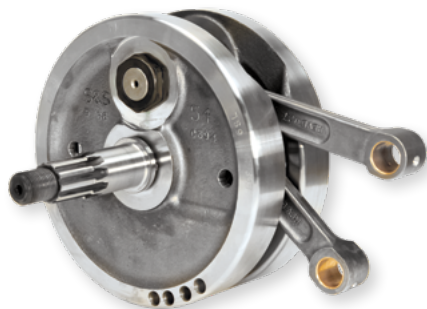
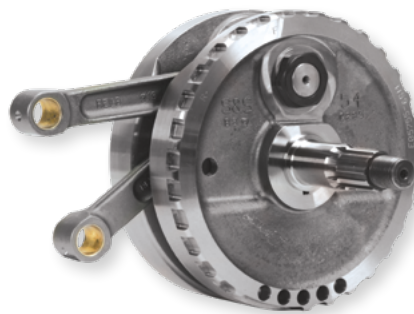
- 1984–'99 big twins

FEATURES AND BENEFITS

- Drive side flywheels have special keyed 6° large diameter taper that provides more contact area, increasing strength
- Standard S&S tapered crankpin and pinion shaft are used for ease of service
- Flywheels for EFI applications are machined with timing notches compatible with factory crank position sensors

KIT CONTENTS

- Assembled:
 - Flywheels
 - Crankpin
 - Connecting rods



NOTES:

IMPORTANT: 1977–'89 style pinion gears, spacers, and nuts are required when installing S&S flywheel assemblies. For installation in 1990–'99 or scratch built engines, order S&S Pinion Shaft Conversion Kit 33-4148.

S&S flywheels are no longer available machined for stock Harley-Davidson® main shafts.

4¼" stroke assembly is balanced for stock HD® 80" pistons.

4½" stroke assembly is balanced for S&S stock bore and 3½" bore stroker pistons.

Use special order Part # for flywheels balanced to other pistons or rods.

All S&S crankcases for 1984–'99 big twin engines are machined to accept a crank position sensor and can be used with these flywheels.

→ TRYING TO IDENTIFY AN S&S® FLYWHEEL?
SEE FLYWHEEL I.D. CHART PAGE 222

FLYWHEELS FOR 1984–'99 CARBURETED BIG TWINS

Stroke	8½" Diameter (stock)	MSRP	8¼" Diameter	MSRP
4¼"	32-2239 23906-90, 23906-93B, 23906-90A	\$1,550.95	–	–
Special Order**	32-2015**	Call for Pricing	32-2015**	Call for Pricing

**Use this special order Part # to order flywheels assembled or unassembled, or balanced or unbalanced.
Download the Special Order Form at sscycle.com/soforms

FLYWHEELS FOR 1995–'98 EFI BIG TWINS

Stroke	Part #	MSRP
4¼"	32-2145 23941-95	\$1,550.95

REPLACEMENT FLYWHEEL ASSEMBLIES FOR S&S V-SERIES ENGINES

Engine	Stroke	Diameter	Part #	MSRP
V124*(3-piece)	4½"	8¼"	320-0477 ±	\$1,876.95
V117*(3-piece)	4¾"	8¼"	320-0363 ±	\$1,744.95
V111*(3-piece)	4½"	8¼"	320-0420 ±	\$1,744.95
V96	4½"	8½"	32-2230	\$1,748.95
V80	4¼"	8½"	32-2239	\$1,550.95
1984–1999 Carbureted (non 4½" Bore)	Specify	Specify	32-2015**	Call for Pricing

*Left side flywheel is notched for crank position sensor.

**Use this special order Part # to order flywheels assembled or unassembled, balanced or unbalanced. Download the Special Order Form at sscycle.com/soforms ± WARNING: Cancer and Reproductive Harm – www.P65Warnings.ca.gov



IMPORTANT NOTE: 1977–'89 style pinion gears, spacers, and nuts are required when installing S&S flywheel assemblies. For installation in 1990–'99 or scratch built engines, order S&S Pinion Shaft Conversion Kit 33-4148.



FITMENT

- 1984-'99 big twins
- S&S V-Series engines

FEATURES AND BENEFITS

- No thicker than a stock pump
- Gears with fewer, but larger teeth provide increased oil volume for both supply and return sides of the pump
- Supply gears are 9% wider than stock and standard S&S oil pumps
- 28% wider than stock return gears ensure proper crankcase scavenging, reduce drag on the flywheels, and eliminate oil carryover
- Increased scavenging capacity results in:
 - Less oil in the crankcase



- Less oil carryover
- Equipped with a stock length oil pump drive shaft

OPTIONS

Pump Only Kits:

- Complete oil pump assembly
- Oil pump driveshaft
- Miscellaneous hose fittings and plugs
- Paper gaskets
- Mounting hardware

Pump And Gear Kits:

- For stock 1984-'89 engines or engines with S&S flywheel assemblies
- Everything in the "pump only" kits
- Oil pump drive shaft gear
- Oil pump pinion shaft gear
- Steel breather gear and shim kit



31-6208

The gear tooth profile and the extra gear width of the HVHP oil pump work together to maintain higher oil pressure and to scavenge additional oil from the crankcase.

HIGH VOLUME HIGH PRESSURE OIL PUMP KITS FOR 1984-'99 BIG TWINS					
Year Group	Cover Type	Pump Only Kit	MSRP	Pump w/Gear Kit*	MSRP
1984-'91	Universal	31-6214	\$530.95	31-6307	\$690.95
1992-'99	Universal	31-6208	\$530.95	31-6302	\$690.95
	Standard	31-6209	\$530.95	31-6298	\$683.95

*Pinion shaft gears included in these kits fit stock 1984-'89 pinion shafts and S&S pinion shafts for 1984-'99. Will not fit stock 1990-'99 straight pinion shafts. Standard style covers have feed and return holes in the stock locations. The universal cover has a number of oil feed and return options, allowing maximum flexibility for customized applications.

→ **REPLACEMENT PARTS: SEE PAGE 79**

Standard Billet Oil Pumps

FITMENT

- 1984-'99 big twins

FEATURES AND BENEFITS

- Machined with an oil pressure relief bleed off valve to maintain consistent oil pressure from the time the engine is started to the time it's shut off
- Oil pressure regulation bypass route allows excess oil not used by the engine to return directly to the supply side of the pump, reducing foaming and cavitation
- No thicker than a stock pump
- Increased scavenging capacity results in:
 - Less oil in the crankcase
 - Less oil carryover
- Equipped with a stock length oil pump drive shaft

OPTIONS

Pump Only Kits

- Complete oil pump assembly
- Oil pump driveshaft
- Miscellaneous hose fittings and plugs
- Paper gaskets
- Mounting hardware

Pump And Gear Kits

- For stock 1984-'89 engines or engines with S&S flywheel assemblies.
- Everything in the "pump only" kits
- Oil pump drive shaft gear
- Oil pump pinion shaft gear
- Steel breather gear and shim kit



31-6203

OIL PUMP KITS FOR 1984-'99 BIG TWINS					
Year	Cover Type	Pump Only Kit	MSRP	Pump & Gear Kits	MSRP
1984-'91	Universal	31-6203	\$438.95	*31-6295	\$628.95
1992-'99	Gloss Black Universal	310-0899	\$566.95	-	-
	Standard	31-6206	\$438.95	*31-6296	\$607.95
	Universal	31-6205	\$438.95	-	-

*Pinion shaft gears included in these kits fit stock 1984-'89 pinion shafts and S&S pinion shafts for 1984-'99. Will not fit stock 1990-'99 straight pinion shafts. Standard style covers have feed and return holes in the stock locations. The universal cover has a number of oil feed and return options, allowing maximum flexibility for customized applications.

→ **REPLACEMENT PARTS: SEE PAGE 79**

NOTE: Chrome Plating the Pump — It is extremely difficult to chrome plate an oil pump without getting chrome in the passageways, cavities or on the machined surfaces where the gears, check ball, and pressure valve operates. Chrome in these areas as well as on the gasket surfaces impairs the pumps performance by altering the operating tolerances machined into the parts. In addition, abrasive particles of chrome may break loose causing damage to the pump and the engine. Because of this, S&S does not recommend chrome plating the pump body or cover. S&S voids its warranty if these parts are chrome plated.

Billet Filter Bracket



S&S Vintage 1936-1999

FITMENT

- 1993-'99 big twins w/stock crankcases
- S&S crankcases for 1984-'99 big twins

FEATURES AND BENEFITS

- Includes oil line fittings and has provisions to plumb an oil cooler



BILLET FILTER BRACKET		
Description	Part #	MSRP
S&S Billet Filter Bracket	31-4105	\$381.95

Steel Rotary Breather Gears

FITMENT

- 1984-'99 big twins

FEATURES AND BENEFITS

- Abrasive particles are less likely to get imbedded in a steel gear body than a plastic one
- A welded-in screen prevents particles from entering the gear cavity and damaging either the gears or oil pump
- Larger diameter holes means improved air flow and oil scavenging from the flywheel cavity
- Improved breather window timing increases flywheel cavity vacuum and crankcase oil scavenging
- Slotted scavenge hole increases breather pocket oil scavenging for less carryover

OPTIONS

- Available in standard and +0.030" for use in engines with damaged breather bores



S&S
exclusive
BREATHER VALVE
US PATENT 6,899,066

33-4250

Breather gear kits include breather gear & steel end play shim kit

BREATHER GEAR KITS FOR 1984-'99 BIG TWINS				
Year	Standard Size	MSRP	+ .030"	MSRP
1984-'99	33-4250	\$155.95	33-4260	\$229.95

BREATHER GEARS ONLY FOR 1984-'99 BIG TWINS				
Year	Standard Size	MSRP	+ .030"	MSRP
1984-'99	33-4241 <small>25310-82A, 25313-77B, 25311-90</small>	\$123.95	33-4242	\$199.95

BREATHER GEAR SPACING SHIM KIT			
Description	Part #	MSRP	
Fits stock 1979-'82 and all S&S steel breather gears <i>Includes one of each: .100", .110", .120", .130", .140", .150", .160", .170"</i>	33-4249	\$54.95	

BREATHER GEAR SPACING SHIMS*		
Thickness	Part #	MSRP
+.100"	33-4200	\$9.95
+.110"	33-4201 <small>25320-79</small>	\$9.95
+.120"	33-4202 <small>25322-79</small>	\$9.95
+.130"	33-4203 <small>25325-79, 25320-82</small>	\$9.95
+.140"	33-4204 <small>25322-82, 25327-79</small>	\$9.95
+.150"	33-4205 <small>25325-82</small>	\$9.95
+.160"	33-4206 <small>25327-82</small>	\$9.95
+.170"	33-4207	\$9.95

*These shims must be used with steel breather gears only.

Crankcase Breather Reed Valves

For Large Displacement Engines

OPTIONS

- Available in standard size or +.030" for use in engines with damaged breather bores

CRANKCASE BREATHER REED VALVES FOR 1993-'99 BIG TWINS				
Application	Standard Size	MSRP	+ .030"	MSRP
1993-'99	31-2096	\$163.95	31-2100	\$171.95

S&S
exclusive
BREATHER REED VALVE
US PATENT 6,899,066



NOTE: The crankcase reed valve should not be used in 1984-1992 crankcase breathing engines. It is only intended for head breathing applications.

Gloss Black Now Available!

FITMENT

- 1984-'92 big twins with standard ignition

KIT CONTENTS

- Billet gearcover
- Gaskets
- Mounting hardware
- Instructions



106-4211±

BILLET GEARCOVERS			
Application	Finish	Part #	MSRP
1984-'92	Gloss Black	310-0898	\$581.95
1984-'92	Polished	31-0335	\$591.95
1984-'92*	Chrome Plated	106-4211±	\$591.95

*Gearcover has internal breather passage that is used to vent crankcase.
± WARNING: Cancer and Reproductive Harm – www.P65Warnings.ca.gov

→ REPLACEMENT PARTS: SEE PAGE 33

Cast Gearcovers

FITMENT

- 1984-'92 big twins

FEATURES

- Machined from tough 356-T6 aluminum castings—the same material used to make S&S crankcases
- Inner cast aluminum cover and a decorative bolt-on outer cover
- Will accept either points or electronic ignition systems

KIT CONTENTS

- Cast gearcover and gaskets
- Mounting hardware



31-0203

CAST GEARCOVERS AND IGNITION COVERS			
Application	Finish	Flangeless Tall	MSRP
1984-'92 big twins*	Natural	31-0203	\$298.95
1984-'92 big twins	Wrinkle Black	31-0299	\$335.95

*Gearcover has internal breather passage that is used to vent crankcase.

→ REPLACEMENT PARTS: SEE PAGE 33

Ignition Covers

Gloss Black Now Available!

FITMENT

- S&S engines with "cone" style gearcovers

IGNITION COVER		
Description	Part #	MSRP
Gloss Black	310-0897	\$70.95
Chrome	31-0332	\$81.95

WARNING: Cancer and Reproductive Harm – www.P65Warnings.ca.gov



31-0332

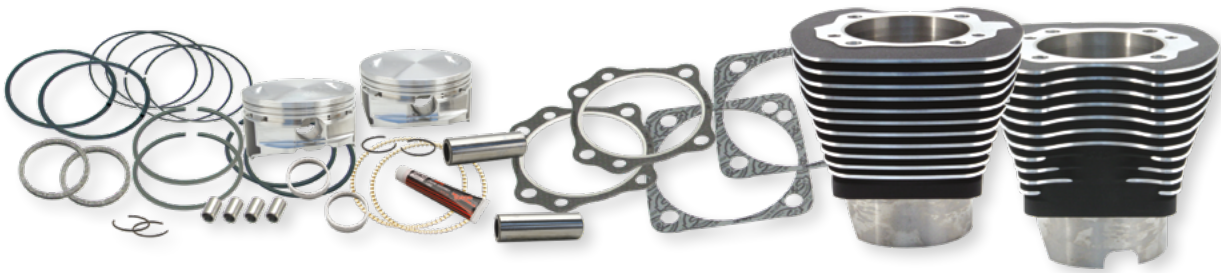
- Cylinders with piston kits include fitted pistons and cylinders, head gaskets, base gaskets, and exhaust gaskets
- Cylinder kits with pistons are honed to fit the pistons included

S&S® 4 1/8" BORE CYLINDERS WITH PISTONS KIT SPECIFICATION CHART

Displacement	Stroke	Cylinder Length	Piston Type	Compression Ratio
111"	4 1/8"	4.764"	Forged	9.7:1
117"	4 3/8"	4.889"		10.2-1
124"	4 5/8"	5.014"		10.8:1

4 1/8" BORE CYLINDERS WITH PISTONS FOR 124", 117", & 111" KIT

Displacement	Cylinders w/Pistons (Set)					
	Natural	MSRP	Wrinkle Black	MSRP	Polished	MSRP
111"	910-0219	\$1,380.95	910-0359	\$1,652.95	910-0424	\$1,621.95
117"	910-0290	\$1,366.95	910-0225	\$1,514.95	910-0228	\$1,621.95
124"	910-0229	\$1,473.95	910-0224	\$1,611.95	910-0230	\$1,621.95



S&S® 3 5/8" BORE CYLINDERS WITH PISTONS KIT SPECIFICATION CHART

Displacement	Stroke	Cylinder Length	Stock Heads (Flat Topped Pistons)	S&S Super Stock® Heads (Domed Pistons)		
			Compression Ratio	Compression Ratio		
				Standard	Intermediate	High
88"	4 1/4"	5.375"	9:1	9.4:1	10.1:1	12.3:1
96"	4 5/8"	5.565"	9.75:1	10.1:1	10.9:1	13.2-1
103"	5"*	5.750"	10.5:1	10.9:1	11.8:1	14.2-1

*Small Diameter Flywheels



3 5/8" BORE CYLINDERS WITH PISTONS FOR 96" & 88" KIT

Displacement	Stock Heads (Flat Topped Pistons)				S&S Super Stock® Heads (Domed Pistons)									
	Cylinders w/Pistons				Cylinders w/Standard Compression Pistons				Cylinders w/Intermediate Compression Pistons					
	Natural		Wrinkle Black		Natural		Wrinkle Black		Polished		Natural		Wrinkle Black	
88"	91-7002	\$1,256.95	91-7502	\$1,380.95	91-7009	\$1,244.95	-	-	-	-	91-7052	\$1,366.95	91-7552	\$1,499.95
96"	91-7202	\$1,256.95	91-7702	\$1,366.95	91-7207	\$1,366.95	91-7707	\$1,366.95	91-7152	1,469.95	91-7054	\$1,244.95	-	-

S&S® 3½" BORE CYLINDERS WITH PISTONS KIT SPECIFICATION CHART

FLAT-TOPPED PISTONS FOR STOCK OR S&S PERFORMANCE REPLACEMENT CYLINDER HEADS

Displacement	Piston Type	Stroke	Cylinder Length	Compression Ratio	
				Stock Heads	S&S 76cc Performance Replacement Heads
80"	Cast/Flat-topped	4¼"	5.550" (Stock)	8.5:1	8.8:1
89"	Forged Flat-topped	4⅝"	5.550" (Stock)	9.25:1	9.4:1

SPECIAL DOMED PISTONS FOR S&S SUPER STOCK® CYLINDER HEADS

Displacement	Piston Type	Stroke	Cylinder Length	COMPRESSION RATIO
				S&S Super Stock® Heads
80"	Forged/Super Stock® Domed	4¼"	5.550" (Stock)	10:1
89" LC		4⅝"	5.550" (Stock)	10:1
89" HC		4⅝"	5.550" (Stock)	12.5:1

3½" BORE CYLINDERS WITH PISTONS KIT FOR STOCK OR S&S® PERFORMANCE REPLACEMENT HEADS

Displacement	Natural	MSRP	Wrinkle Black	MSRP
80"	910-0179 16510-83A	\$1,121.95	910-0182 16512-86A	\$1,142.95
89"	91-7211	\$1,244.95	91-7711	\$1,305.95

3½" BORE CYLINDERS WITH PISTONS KIT FOR S&S® SUPER STOCK® HEADS

Displacement	Natural	MSRP	Wrinkle Black	MSRP
80"	91-7213	\$1,274.95	91-7713	\$1,305.95
89" LC	—	—	91-7715	\$1,305.95

NOTES: Stock crankcases must be machined to accommodate the large spigot diameter of 3½" bore cylinders.

→ **PISTON REPLACEMENT PARTS: SEE PAGE 38**



All reference to HD® Part #s is for identification purposes only. We in no way are implying that any of S&S® Cycle's products are original equipment parts or that they are equivalent to the corresponding HD Part # shown.

- Cylinder sets without pistons are bored slightly under normal size and are not honed
- Include dowel pins

4 1/8" BORE CYLINDERS							
Displacement		Natural	MSRP	Wrinkle Black	MSRP	Polished	MSRP
111"	Set	910-0284	\$815.95	910-0358	\$877.95	910-0246	\$1,121.95
117"	Set	910-0267	\$815.95	910-0261	\$877.95	–	–
124"	Set	910-0270	\$815.95	910-0258	\$877.95	910-0273	\$1,121.95

3 5/8" BORE CYLINDERS					
Displacement		Natural	MSRP	Wrinkle Black	MSRP
88"	Set	91-7000	\$815.95	–	–
96"	Set	91-7200	\$815.95	91-7700	\$877.95

*Small Diameter Flywheels Recommended Piston Fitment: Close: .0015"-.0020" Loose: .0035"-.0045"

3 1/2" BORE CYLINDERS					
Displacement		Natural	MSRP	Wrinkle Black	MSRP
80"	Set	91-7210	\$815.95	91-7710	\$815.95
89"					



NOTES: S&S 4 1/8" pistons are machined to such close tolerances that it is not necessary to measure the piston. Additionally, the low friction coating on the piston skirt makes taking measurements very difficult. Therefore, hone cylinders to nominal diameter ± 0.0005" for correct clearance. Stock crankcases must be machined to accommodate the large spigot diameter of 3 5/8" bore cylinders.



- Piston kits include set of pistons, rings, wristpins, and clips



4 1/8" BORE FORGED PISTON KITS FOR HOT SET UP KITS®										
Displacement	Deck Height	Stroke	Standard	MSRP	+ .010"	MSRP	+ .020"	MSRP	+ .030"	MSRP
124" & 117" Stock Heads 10cc Dished	1.050"	Up To 4 3/8"	920-0046	\$601.95	920-0047	\$611.95	920-0050	\$611.95	920-0053	\$607.95
124", 117" & 111" —Stock or S&S Heads Flat Top	1.050"	Up To 4 3/8"	106-3491A	\$607.95	106-3872A	\$607.95	106-3964A	\$601.95	920-0094	\$607.95

NOTE: S&S 4 1/8" pistons are machined to such close tolerances that it is not necessary to measure the piston. Additionally, the low friction coating on the piston skirt makes taking measurements very difficult. Therefore, hone cylinders to nominal diameter ± 0.0005" for correct clearance.

4" BORE FORGED PISTON KITS										
Displacement	Deck Height	Stroke	Standard	MSRP	+ .010"	MSRP	+ .020"	MSRP	+ .030"	MSRP
Retro 100"	1.200"	4"	—	—	92-1421	\$469.95	92-1422	\$469.95	—	—
100"		4"	92-1400	\$473.95	92-1401	\$469.95	92-1402	\$469.95	92-1403	\$469.95
107"		4 1/4"	92-1400	\$473.95	92-1401	\$469.95	92-1402	\$469.95	92-1403	\$469.95
113"		4 1/2"	92-1410	\$469.95	92-1411	\$469.95	92-1412	\$469.95	92-1413	\$469.95
116"		4 5/8"	—	—	92-1421	\$469.95	92-1422	\$469.95	—	—

Recommended Piston Fitment: Close: 0.0020"-0.0025" Loose: 0.0037"-0.0045"

FORGED 3 5/8" BORE FLAT TOPPED PISTON KITS FOR STOCK STYLE HEADS												
Displacement	Deck Height	Stroke	Standard	MSRP	+ .010"	MSRP	+ .020"	MSRP	+ .030"	MSRP	+ .040"	MSRP
88"	1.200"	4 1/4"	92-1900	\$438.95	92-1901	\$448.95	92-1902	\$438.95	—	—	92-1904	\$438.95
93"		4 1/2"										
98"*		4 3/4"*	92-1930	\$438.95	92-1931	\$438.95	92-1932	\$442.95	-	-	—	—
96"		4 5/8"										
103"*		5"*	—	—	92-1941	\$469.95	—	—	92-1943	\$469.95	—	—

*Small Diameter Flywheels Recommended Piston Fitment: Close: 0.0015"-0.0020" Loose: 0.0035"-0.0040"

3 5/8" BORE STANDARD COMPRESSION PISTON KITS FOR S&S SUPER STOCK® HEADS												
Displacement	Deck Height	Stroke	Standard	MSRP	+ .010"	MSRP	+ .020"	MSRP	+ .030"	MSRP	+ .040"	MSRP
88"	1.200"	4 1/4"	92-1060 USA	\$499.95	92-1061	\$499.95	92-1062	\$499.95	92-1063	\$499.95	92-1064	\$499.95
93"		4 1/2"										
96"		4 5/8"										

3 5/8" BORE INTERMEDIATE COMPRESSION PISTON KITS FOR S&S SUPER STOCK® HEADS												
Displacement	Deck Height	Stroke	Standard	MSRP	+ .010"	MSRP	+ .020"	MSRP	+ .030"	MSRP	+ .040"	MSRP
88"	1.200"	4 1/4"	92-1110	\$540.95	92-1111	\$540.95	92-1112	\$540.95				
93"		4 1/2"										
96"		4 5/8"										

Recommended Piston Fitment: Close: 0.0023"-0.0025" Loose: 0.0035"-0.0045"



Order 608-627-1497

3 1/2" BORE CAST FLAT-TOPPED REPLACEMENT PISTON KITS FOR STOCK HEADS OR S&S PERFORMANCE REPLACEMENT HEADS

Displacement	Deck Height	Stroke	Standard	MSRP	+0.010"	MSRP	+0.020"	MSRP
80"	1.3750"	4 1/4"	920-0015 ₂₁₉₄₀₋₈₃	\$164.95	920-0026 ₂₁₉₄₂₋₈₃	\$164.95	920-0027 ₂₁₉₄₃₋₈₃	\$164.95

No replacement wristpins are available. Recommended Cast Piston Fitment: Close 0.0010"-0.0015" Loose 0.0020"-0.0025"

3 1/2" BORE FORGED FLAT TOPPED STROKER PISTON KITS FOR STOCK OR S&S PERFORMANCE REPLACEMENT HEADS

Displacement	Deck Height	Stroke	Standard	MSRP	+0.010"	MSRP	+0.020"	MSRP	+0.030"	MSRP
89"	1.1875"	4 5/8"	106-5554	\$469.95	106-5555	\$469.95	106-5556	\$469.95	106-5793	\$469.95

Recommended Piston Fitment: Close .0020"-.0025" Loose .0030"-.0035" May require rebalancing if replacing old 92-2040 series pistons.

3 1/2" BORE FORGED DOMED PISTON KITS FOR S&S® SUPER STOCK® HEADS

Displacement	Deck Height	Stroke	Standard	MSRP	+0.005"	MSRP	+0.010"	MSRP	+0.020"	MSRP	+0.030"	MSRP
80"	1.3750"	4 1/4"	92-2026	\$473.95	92-2026S	\$469.95	92-2027	\$469.95	92-2028	\$479.95	92-2029	\$469.95
89" LC	1.1875"	4 5/8"	92-2046	\$479.95	-	-	92-2047	\$469.95	92-2048	\$469.95	-	-
89" HC			92-2016	\$484.95	-	-	92-2017	\$494.95	92-2018	\$469.95	-	-

Recommended Piston Fitment: Close .0020"-.0025" Loose .0030"-.0035"

REPLACEMENT PARTS FOR PISTONS

PISTON RINGS, MOLY FACED

Bore	4 1/8"		4"		3 5/8"		3 1/2" Cast /Flat-Topped*		3 1/2" Forged /Flat-Topped		3 1/2" Forged - Domed	
Deck Height	1.050"	MSRP	1.200"	MSRP	1.200"	MSRP	1.3750"	MSRP	1.1875"	MSRP	1.3750" / 1.1875"	MSRP
Standard	940-0014	\$82.95	94-1300X	\$61.95	94-1210X	\$65.95	94-2216X	\$61.95	94-2206X	\$61.95	94-2216X	\$65.95
+0.005"	-	-	-	-	-	-	-	-	-	-	94-2216SX	\$62.95
+0.010	940-0012	\$81.95	94-1301X	\$61.95	94-1211X	\$64.95	94-2217X	\$65.95	94-2207X	\$64.95	94-2217X	\$65.95
+0.020"	940-0013	\$81.95	94-1302X	\$65.95	94-1212X	\$65.95	94-2218X	\$62.95	94-2208X	\$61.95	-	-
+0.030"	940-0017	\$87.95	94-1303X	\$65.95	94-1213X	\$65.95	94-2209X	\$61.95	94-2219X	\$65.95	-	-
+0.040"	-	-	-	-	94-1214X	\$65.95	-	-	-	-	-	-
+0.060"	-	-	-	-	94-1216X	\$61.95	-	-	-	-	-	-

*No replacement wristpins are available

WRISTPINS

Bore	Description	Part #	MSRP
4 1/8"	.927" x 2.825" long	94-9277	\$40.95
4"	.792" x 2.825" long	94-9256	\$40.95
3 5/8"			
3 1/2"			

KEEPERS

Bore	Description	Part #	MSRP
4 1/8"	Keeper 22097-99	each 94-9278-S	\$7.95
		2 pack 94-9278-2	\$10.95
		4 pack 106-2304	\$10.95
4"	Keeper 22589-83A	each 94-9254-S	\$4.95
		2 pack 94-9254-2	\$7.95
		4 pack 94-9254	\$8.95



All reference to HD® Part #s is for identification purposes only. We in no way are implying that any of S&S® Cycle's products are original equipment parts or that they are equivalent to the corresponding HD Part # shown.



RECOMMENDED APPLICATIONS FOR S&S CAMS

OES: Original Equipment Specification (OES) A bolt-in replacement cam with stock cam timing is designed for riders with stock engines. Does not require tuning. Bolt-in stock. Equivalent to HD® L-Grind

490LR: Hydraulic Bolt-In. Designed for broad power range improvement. Good choice for heavy bikes and trailer towing. Increases low and mid range performance. Works well with stock compression ratio and stock exhaust. No valve spring change required. Basic rpm Idle-5000.

508: Bolt-in cam intended for stock engines with less than 10:1 compression ratio. Quiet valvetrain with excellent low/mid range torque for touring and 2 up riding.

510V: Bolt-in cam that works well with stock or ported heads. Improved ramp design results in low valve train noise. Meant for engines up to 96" and 10:1 compression ratio. 3000-5000 rpm.

520: A replacement part for S&S emissions certified engines, this is a short duration emissions cam with very little overlap to reduce emissions of unburned hydrocarbons. Requires high lift springs and normal clearance checks. 1000-4500 rpm (80"-96").

543: A replacement cam for newer S&S 4 1/8" bore V-series emissions certified engines for OE and custom applications. High lift, short duration and no overlap. Requires high lift springs and normal clearance checks. 1000-4000 rpm (111"-124").

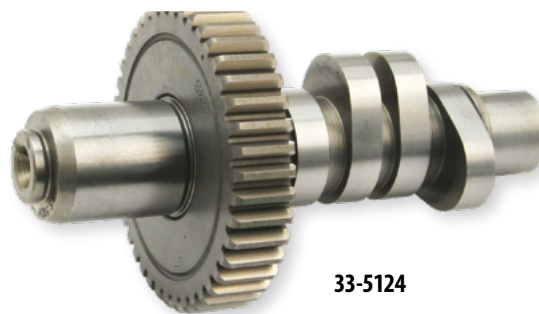
561: For 80"-96" engines at 9.5:1-10.5:1 compression ratio. Provides strong midrange power. 3000-5500 rpm.

585V: A versatile cam for 80" to 96" engines with 10:1-10.5:1 compression, and larger engines with 9.5:1-10:1 compression ratios. 3500-6000 rpm.

600: An exceptional cam in any large displacement engine with 9.5:1 to 10.5:1 compression. 3500-6000 rpm.

631: For high rpm applications, an excellent choice for all street and racing engines with 11:1 and higher compression ratios. Great performance cam, but expect more "wear and tear" on valve train components. Valve spring spacing and other normal clearancing checks required. 4500-6500 rpm.

640: For large displacement motors with compression ratios of 10.5-11.5:1, or smaller motors with 11:1-12:1 compression ratio. Does not require as much compression as the 631 and provides a more linear power delivery. 3000-6000 rpm.



33-5124

CAMS FOR 1984-'99 BIG TWIN ENGINES

Cam Name	Part #	MSRP
OES	330-0290	\$254.95
490LR	330-0371	\$249.95
508	330-0093	\$254.95
510V	33-5124	\$254.95
520	33-5073 ^{USA 1,2}	\$254.95
543	330-0181	\$254.95
561	33-5076	\$254.95
585V	33-5109	\$254.95
600	33-5058	\$254.95
631	33-5080	\$254.95
640	33-5108	\$254.95

NOT LEGAL FOR SALE OR USE IN CALIFORNIA ON ANY POLLUTION CONTROLLED MOTOR VEHICLE. NOT LEGAL FOR SALE OR USE NATIONWIDE ON ANY FEDERAL POLLUTION CONTROLLED MOTOR VEHICLE UNDER THE CLEAN AIR ACT

NOTE: S&S can do a special order cam. Contact your S&S Customer Service Representative for more information.

S&S CAM SPECIFICATIONS FOR 1984-'99 BIG TWIN ENGINES

Cam Name	Valve Timing Open/Close		Valve Duration		Valve Lift	Lift @ TDC		Spring Spacing Required	Tappet Type Required	
	Intake	Exhaust	Intake	Exhaust		Intake	Exhaust			
	Open BTDC/Close ABDC	Open BBDC/Close ATDC								
OES	2.0°/34.0°	36.0°/4.0°	216.0°	220.0°	.495"	0.060"	0.060"	No	Hydraulic	
490LR	12°/34°	41°/15°	226°	236°	.490"	.146"	.157"	No	Hydraulic	
508	11°/25°	50°/5°	217°	235°	.508"	.141"	.110"	No	Hydraulic	
510V	20°/38°	52°/20°	238°	252°	.510"	.187"	.178"	No	Hydraulic	
520	0°/40°	50°/2°	220°	232°	.520"	.086"	.094"	Yes	Hydraulic	
543*	Front	-26°/52°	49°/-1°	206°	228°	.543"	.017"	.083"	Yes	Hydraulic
	Rear	-25°/44°	33°/-10°	199°	203°	.543"	.018"	.053"	Yes	Hydraulic
546	5°/55°	52°/5°	240°	237°	.546"	.126"	.106"	Yes	Hydraulic	
561	32°/40°	50°/26°	252°	256°	.560"	.252"	.210"	Yes	Hydraulic	
585V	20°/45°	60°/20°	245°	260°	.585"	.186"	.180"	Yes	Hydraulic	
600	20°/55°	60°/20°	255°	260°	.600"	.192"	.184"	Yes	Hydraulic	
631	34°/61°	66°/29°	275°	275°	.630"	.281"	.221"	Yes	Solid or Hydraulic	
640	25°/60°	65°/20°	265°	265°	.640"	.222"	.192"	Yes	Hydraulic	

*Emissions cams front and rear do not have identical timing. Negative values are due to special timing for reduced emissions.



Order 608-627-1497

FITMENT

- 1984-'89 big twins
- 1990-'99 engines with S&S flywheel assembly

1984-'89 BIG TWIN STYLE PINION GEAR SELECTION CHART				
Color Code	Size	HD® Part #	S&S Part #	MSRP
Orange	Biggest	24040-78	33-4141	\$112.95
White		24041-78	33-4142	\$112.95
Yellow		24042-78	33-4143	\$112.95
Red	Average	24043-78	33-4144	\$112.95
Blue		24044-78	33-4145	\$112.95
Green		24045-78	33-4146	\$112.95
Black	Smallest	24046-78	33-4147	\$112.95



NOTES: If the stock gear is unmarked and the size is unknown or you are scratch building an engine and have no gear, we recommend that you order a gear in the middle of the size range. These sizes were used more often and should provide adequate gear clearance under most circumstances. When in doubt, use a gear from the middle to the small side of the range, because a combination of looser fitting smaller gears is less likely to cause binding and premature wear. Consult the chart for the size and appropriate Part # required. If you wish to achieve optimum cam gear to pinion gear fit, consult your factory service manual for instructions on fitting these gears before making a selection. Some sizes, particularly those on and near the ends of each range, are available on a limited basis because they are the extremes.

S&S® does not offer a replacement pinion shaft for 1990-'99 big twin engines that accepts a stock pinion gear, oil pump drive gear, gear spacer and pinion gear nut, because experience has shown that the design is not strong enough for performance applications. For this reason, we recommend and sell only the pre-1990 style pinion shaft for big twins. To make the change easier, S&S offers a conversion package consisting of a pinion gear, spacer, nut and oil pump drive gear for big twin engines.

Pinion Shaft Gear Kits

PINION SHAFT GEAR KITS FOR 1984-'89 BIG TWINS			
Color Code	Size	S&S Part #	MSRP
Yellow	Biggest	33-4185	\$183.95
Red	Average	33-4148	\$185.95
Blue		33-4181	\$183.95
Black	Smallest	33-4180	\$185.95

Note: All S&S Pinion Shaft Gear Kits must be used with 1973-'99 style 24 tooth oil pump drive shaft gear such as S&S part # 33-4230. Use these kits when installing an S&S flywheel assembly in a 1990-'99 engine.

INDIVIDUAL COMPONENTS		
Description	S&S Part #	MSRP
Pinion Shaft Gear Spacer	33-4289	\$10.95
Pinion Shaft Gear Nut 24023-54	33-4244	\$53.95
Pinion Shaft Oil Pump Drive Gear* 6 teeth 26349-73, 26349-73A	33-4232	\$61.95
Oil Pump Drive Gear** 24 teeth 26345-73	33-4230	\$50.95

**Requires S&S part #33-4230 or 26345-73 drive shaft drive gear. Fits 1984-'89 stock and 1984-'99 S&S pinion shafts.
**Requires S&S part #33-4232, part #33-4237 or 26349-73, 26349-73A pinion shaft drive gear.*



33-4232



33-4289



33-4244



33-4230

All reference to HD® Part # is for identification purposes only. We in no way are implying that any of S&S® Cycle's products are original equipment parts or that they are equivalent to the corresponding HD Part # shown.



1984-1999 Evolution®
1936-1984 Vintage Engines
Tools & Shop Supplies
Warranty & Company Policy
Appendix

GLOSS BLACK NOW AVAILABLE!

FITMENT

- 1984-'99 big twins
- S&S V-Series engines
- S&S Special Application crankcases with .250" offset cam chest



BILLET TAPPET GUIDES FOR S&S V-SERIES ENGINES & S&S SA CRANKCASES

Tappet Guide	CRANKCASE STYLE							
	Stock/Super Stock®				Special Application			
	Polished	MSRP	Chrome	MSRP	Gloss Black	MSRP	Chrome	MSRP
Set	106-6459	\$499.95	106-5428±	\$504.95	330-0590	\$469.95	106-3005±	\$499.95

± WARNING: Cancer and Reproductive Harm – www.P65Warnings.ca.gov

CAST TAPPET GUIDES FOR S&S V-SERIES ENGINES & S&S SA CRANKCASES

Tappet Guide	Crankcase Style					
	Stock/S&S Super Stock®			Special Application		
	Natural	MSRP	Wrinkle Black	MSRP	Wrinkle Black	MSRP
Set	33-5301	\$305.95	33-5324	\$305.95	33-5325	\$305.95

NOTE: S&S® engines for 1984-'99 chassis with larger than 3³/₁₆" bores are typically built using special crankcases such as S&S Special Application cases which have an offset right side gear cavity for more tappet guide to cylinder clearance. S&S offers special tappet guides machined to compensate for the change in pushrod angle caused by the cam chest offset of these cases.

High Performance Hydraulic Tappets

FITMENT

- 1984-'99 big twins
- S&S V-Series engines

FEATURES AND BENEFITS

- .123" larger in diameter than the "raceless" roller axles currently used by some manufacturers
- Improved inner race-roller design allows use of more, and larger bearings to increase load-carrying surface area, further reducing stress and wear in the critical roller area
- Redesigned plunger assembly better withstands forces associated with heavy-duty valve springs and cams typically used in high-performance applications
- Improved metering device precisely controls oil delivery to top end, ensuring rapid lifter pump-up and reducing possibility of oil starvation to bottom end
- Each lifter body and plunger assembly is selective-fit and then leak down tested to ensure correct operation

OPTIONS

- Tappets are available with the HL₂T Limited Travel Kit for improved cold starts and high rpm valve timing accuracy

KIT CONTENTS

- Four hydraulic tappets



33-5352

HIGH PERFORMANCE HYDRAULIC TAPPETS		
Description	Part #	MSRP
Without HL ₂ T Kit 18523-86A	33-5352	\$381.95
With HL ₂ T Kit	33-5353	\$409.95

Extra parts needed:

S&S tappets with HL₂T Kit require the use of adjustable pushrods. Because of close tolerances, tappets in set part #33-5353 may require slightly longer bleed down time than conventional tappets. At temperatures of 65°F and above, however, bleed-down should take 20 minutes or less using 20W50 engine oil.



Order 608-627-1497

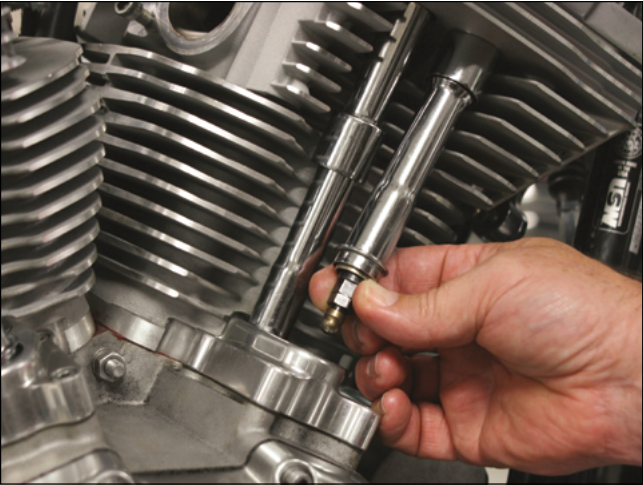
All S&S Quickee Pushrods are covered by US Patent No. 7644694

FITMENT

- 1984-'99 big twin

FEATURES AND BENEFITS

- Easy to install — no need to remove rocker covers
- Adjustable to work with all stock and aftermarket cams
- Works with stock pushrod covers



When a Quickee adjustable pushrod is collapsed, it can easily be installed or removed from an assembled engine.



QUICKEE ADJUSTABLE PUSHRODS			
Application	Displacement	Part #	MSRP
1984-'99 big twin	80"-98", 113", 117", 124"	93-5120	\$224.95
	107", 111" & S&S 88"	93-5123	\$220.95
<small>*Will not fit in an 88" engine which is .175" shorter. The rear intake pushrod is too long.</small>			

→ REPLACEMENT PARTS: SEE PAGE 43

Standard Adjustable Pushrods

FITMENT

- 1984-'99 big twins

FEATURES AND BENEFITS

- Made out of 7/16" O.D. chromoly steel tubing for strength and durability
- Adjustable to work with all stock or aftermarket cams
- Compatible with solid and hydraulic lifters



93-5076

PUSHROD SETS FOR 1984-'99 BIG TWINS			
Displacement	Cylinder Length	Part #	MSRP
88", 107"*	5.375" (-.175")/4.870*	93-5017	\$152.95
93", 113"*	5.500" (-.050")/4.995*	93-5018	\$152.95
80", 89", 96"	5.550" (Stock)	93-5076	\$154.95
98"	5.625" (+.075")	93-5019	\$152.95
103"	5.750" (+.200")	93-5020	\$152.95
<small>*These are S&S 4" bore engines using +.500" deck crankcases. Cylinder lengths are .500" shorter.</small>			

PUSHROD SETS FOR 1984-'99 4 1/8" BORE BIG TWINS			
Displacement	Cylinder Length	Part #	MSRP
111"	4.764"	93-5017	\$152.95
117"	4.889"	93-5018	\$152.95
124"	5.014"	93-5019	\$152.95
<small>NOTE: Crankcases used in S&S 4 1/8" bore engines have 6.000" cylinder deck height. The increased deck height effects the cylinder length. Do not use cylinder lengths in this chart to select pushrods for engines built in crankcases with stock, 5.375" deck height.</small>			

→ REPLACEMENT PARTS: SEE PAGE 43



FITMENT

- 1984-'99 Harley-Davidson® Evolution big twin engines

FEATURES AND BENEFITS

- Replaces stock pushrods perfectly
- 7/16" high strength chromoly steel tubing for increased strength
- Pushrods are marked with stock color code and valve position for easy installation



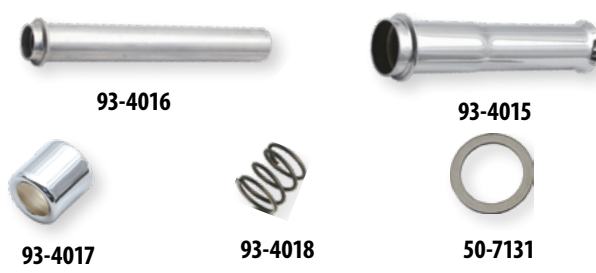
NON-ADJUSTABLE PUSHRODS		
Description	Part #	MSRP
Pushrods Only	930-0041	\$91.95
Pushrods Only, V111	930-0069	\$91.95

Pushrod Covers And Related Parts

PUSHROD REPLACEMENT PARTS			
Item Description	Part #	MSRP	
S&S Pushrod Cover Kit* (includes Top and bottom covers, Cover cap, Cover spring, & Spring washers)	Stock Height	93-4039	\$193.95
	1" or more taller than stock	93-4038	\$193.95
Top Cover 17935-66T, 17935-79B 1,2,3	each	93-4016	\$19.95
Bottom Cover 17938-83	each	93-4015	\$21.95
Cover Cap 17945-36B 1,2,3	each	93-4017	\$14.95
Cover Spring 17947-36 1,2,3	each	93-4018	\$7.95
Cover Cap Washer 67628	each	50-7131	\$6.95
Bottom Cover Washer	each	50-7051	\$4.95
Top O-ring	each	50-8039	\$6.95
Middle O-ring	each	50-8038	\$6.95
Bottom O-ring	each	50-8037	\$6.95
Quad Seal 11133A	each	50-8064-S	\$8.95
Pushrod O-ring kit (includes top, middle, and bottom o-rings for four pushrods)	each	93-4022	\$12.95
Ball End 1,2,3 Fits S&S adjustable with 3/16"-32 threads. (Manufactured after 2-1-1996)	each	93-5002	\$16.95
Adjusting Unit Locknut Fits S&S adjustable pushrods with early stock 3/32"-32 threads	each	33-5333	\$9.95
Adjusting Unit Locknut Fits S&S adjustable pushrods with 3/16"-32 threads. (Manufactured after 2-1-1996)	each	93-5003-S	\$8.95

PUSHROD COVER KEEPER SETS FOR 1984-99 BIG TWINS				
Length / Finish	Application	Part #	MSRP	
2.390" / Gloss Black		930-0127	\$40.95	
2.400" / Chrome 17950-48		93-4070±	\$41.95	
2.500"	Chrome	93-4100±	\$40.95	
	Gloss Black	930-0142	\$40.95	
2.600"	Chrome	79", Retro 100"	93-4101±	\$41.95
	Gloss Black		930-0128	\$40.95
2.800" / Chrome 17950-86		93-4115±	\$40.95	
2.900"	Chrome		93-4102±	\$40.95
	Gloss Black		930-0126	\$40.95
3.000" / Chrome	100"	93-4103±	\$40.95	
3.100"	Chrome	88", 107", 110", 111", 113"	93-4104±	\$40.95
	Gloss Black		930-0125	\$40.95
3.200" / Chrome	93", 89", 96", 117"	93-4105±	\$40.95	
3.330" / Chrome 17949-40, 17950-66	98", 124"	93-4106±	\$40.95	
3.500" / Chrome	103"	93-4107±	\$40.95	
4.250"		93-4109*	\$50.95	

*Custom extra long stainless steel 4.250", customer to cut to required length
Keepers are sold in sets of four. Keeper length for stock Harley-Davidson® with 80" engines is 3.330"
± WARNING: Cancer and Reproductive Harm - www.P65Warnings.ca.gov



All S&S pushrod keepers are chromed steel, except part #93-4109. Keeper part #93-4109 is intended for unusually tall engines. It is manufactured of unchromed stainless steel to prevent rust or peeling after it is trimmed to the required length.
All reference to HD® Part #s is for identification purposes only. We in no way are implying that any of S&S® Cycle's products are original equipment parts or that they are equivalent to the corresponding HD Part # shown.



Order 608-627-1497

FITMENT

- 1984-'99 Evolution® with stock heads

FEATURES AND BENEFITS

- Works well with cams up to .650" lift
- Manufactured from ultra clean high silicon Kobe alloy wire then micro shot peened and nitrided
- CNC machined 9° locks
- High performance conical single wire spring
- Chromoly forged retainers

KIT CONTENTS

- Valve keepers, Top & Bottom collars, Springs, Shims

NOTE: S&S recommends roller rocker arms be used with lifts over .585"



S&S® .650" LIFT VALVE SPRINGS SPECIFICATIONS

Lift	Installed Height	Seat Force	Force @ Max Lift	Max RPM
.650"	1.860"	178 lb.	376 lb.	6500

.650" LIFT VALVE SPRING KIT

Description	Part #	MSRP
1984-'99 Evolution® with stock heads	900-0050	\$254.95

Street Performance .585" Valve Springs

FITMENT

- 1984-'99 Evolution® with stock heads
- All S&S Super Stock® heads

FEATURES AND BENEFITS

- Single coil reduce the risk of valve float
- Suitable for high performance applications
- Accommodates camshaft lift to 0.585"

KIT CONTENTS

- Springs, Top & Bottom Collars, Keepers, Shims



S&S® STREET PERFORMANCE .585" VALVE SPRINGS SPECIFICATIONS

Lift	Installed Height	Seat Force	Force @ Max Lift
.585"	1.850"	135 lb.	325 lb.

STREET PERFORMANCE .585" SPRING KIT

Description	Part #	MSRP
1984-'99 big twins with stock heads	900-0593	\$163.95
All S&S Super Stock® heads	900-0595	\$163.95



FITMENT

- 1984–up big twins

FEATURES AND BENEFITS

ROLLER ROCKER ARMS

- Extremely durable rollers reduce valve side thrusting with high lift cams
- Superior wear and fatigue resistance even in the most demanding applications
- ¾" long bushings provide 50% more bushing support area than ½" long bushings
- Available in stock 1.625:1 ratio or performance 1.725:1 ratio

STANDARD ROCKER ARMS

- ¾" long bushings provide 50% more bushing support area than ½" long bushings
- Case carburized hard surface for longer life
- Stock 1.625:1 ratio

KIT CONTENTS

- 2 front and 2 rear rocker arms



1.625:1 RATIO FORGED ROLLER ROCKER ARMS		
Description	Part #	MSRP
1.625:1 RATIO ROLLER ROCKER ARM <i>SET 2 FRONT & 2 REAR</i>	900-4065A	\$652.95
Front Exhaust/Rear Intake <i>each</i>	900-4065FA	\$191.95
Rear Exhaust/Front Intake <i>each</i>	900-4065RA	\$193.95
1.725:1 Ratio Forged Roller Rocker Arms		
1.725:1 Ratio Roller Rocker Arm <i>Set 2 front & 2 Rear</i>	900-4098A	\$693.95
Front Exhaust/Rear Intake <i>each</i>	900-4098FA	\$212.95
Rear Exhaust/Front Intake <i>each</i>	900-4098RA	\$212.95
Standard Forged Rocker Arm kit		
1.625:1 RATIO ROLLER ROCKER ARM <i>SET 2 FRONT & 2 REAR</i>	900-4119A	\$326.95
Front Exhaust/Rear Intake <i>each</i>	900-4119FA <i>17375-83A</i>	\$122.95
Rear Exhaust/Front Intake <i>each</i>	900-4119RA <i>17360-83A</i>	\$122.95



REPLACEMENT PARTS FOR FORGED ROCKER ARMS		
Description	Part #	MSRP
Rocker Arm Shafts <i>(Set of 4)</i>	90-4036 <i>17611-83B</i>	\$50.95
Rocker Arm Shafts <i>(each)</i>	90-4006 <i>17611-83B</i>	\$16.95
Roller Rocker Arm Rebuild kits <i>(rebuilds 4 rocker arms)</i>	90-4104	\$163.95
Roller & Standard Rocker arm bushing <i>(¾" long)</i>	90-4014	\$14.95

NOTES: S&S roller rocker arms are recommended for use with cams having more than 0.585" of lift.

Adjustable pushrods must be used with S&S roller rocker arms to obtain proper valve clearance.

New rocker arm shafts are recommended for maximum performance and rocker life.

The use of 1.725:1 ratio rocker arms will increase stress on cams, tappets, and pushrods. For this reason they are recommended for racing only and not for street applications.

All reference to HD® Part #s is for identification purposes only. We in no way are implying that any of S&S® Cycle's products are original equipment parts or that they are equivalent to the corresponding HD Part # shown.

For 3 1/2" And 3 3/8" Bore



→ REPLACEMENT PARTS: SEE PAGE 81



FITMENT

- 1984-'99 big twins
- Stock displacement
- Stock bore strokers
- Big bore engines up to 96"

FEATURES AND BENEFITS

- Compatible with stock or other flat topped pistons
- Heads can be decked .060" if higher compression is desired
- Port design increases flow, while maintaining velocity specifically designed for stock and small displacement engines
- Compatible with up to .585" lift cams with TDC lifts of .252" intake and .210" exhaust
- Stock diameter ports allows installation of original intake manifolds and exhaust
- Stock temperature sensor location for EFI equipped engines
- High compression is 76cc, low compression is 82cc in chamber

KIT CONTENTS

- Two complete heads with valves and springs

FLOW COMPARISON CHART

Cylinder Head Type	Valve Diameter		.600" Lift Flow @ 10"	
	Intake	Exhaust	Intake	Exhaust
Stock HD®	1.840"	1.610"	125cfm	98cfm
S&S Performance Replacement	1.900"	1.605"	142cfm	109cfm
S&S® Super Stock®	2.000"	1.605"	158cfm	122cfm

COMPRESSION RATIO COMPARISON CHART

En-gine Size	S&S® Performance Replacement		Stock HD®
	High Compression 76cc	Low Compression 82cc	
96"	10:1	9.5:1	9.75:1
89"	9.4:1	8.9:1	9.25:1
80"	8.8:1	8.4:1	8.5:1

NOTE: S&S recommends that all clearances be checked with high lift cams, especially if the heads have been decked to increase compression.

PERFORMANCE REPLACEMENT CYLINDER HEADS

Finish	Low Compression 82cc*	MSRP	High Compression 76cc	MSRP
Natural	106-3466	\$1,427.95	106-6059	\$1,468.95
Wrinkle Black	106-4570 16696-92A	\$1,483.95	106-6064	\$1,553.95
Polished	106-4575	\$1,927.95	—	—

NOT LEGAL FOR SALE OR USE IN CALIFORNIA ON ANY POLLUTION CONTROLLED MOTOR VEHICLE. NOT LEGAL FOR SALE OR USE NATIONWIDE ON ANY FEDERAL POLLUTION CONTROLLED MOTOR VEHICLE UNDER THE CLEAN AIR ACT.

*Used on V96 engines with flat top pistons

GASKET KITS FOR S&S PERFORMANCE REPLACEMENT CYLINDER HEADS

Bore Size	Part #	MSRP
3 1/2"	90-1905	\$72.95
3 3/8"	90-1906	\$65.95

Super Stock™ Cylinder Heads

FITMENT

- 1984-'99 big twin with 3 1/2" or 3 3/8" bore
(not compatible with stock or flat top pistons)



FEATURES AND BENEFITS

- Machined with a stock bolt pattern
- Larger, more open combustion chamber presents less resistance to air flow around the valves
- 2.000" intake valves and 1.605" exhaust valves
- Special "cast to shape" intake ports with a special directional fin for improved air flow
- Precision CNC machined from heat treated aircraft quality aluminum castings



KIT CONTENTS

- Complete head assembly with valves and S&S .650" lift springs

ADDITIONAL PARTS (REQUIRED)

- Super Stock® Pistons
- 3 1/2" bore See PAGE 38
- 3 3/8" bore See PAGE 37
- Gasket Kit. See chart

ASSEMBLED S&S® SUPER STOCK™ HEAD KITS

Finish	Part #	MSRP
Natural	90-1004	\$1,565.95
Wrinkle Black	90-1504	\$1,586.95
Polished	90-1091	\$1,946.95

GASKET KITS FOR S&S SUPER STOCK™ CYLINDER HEADS

Bore Size	Part #	MSRP
3 1/2"	90-1905	\$72.95
3 3/8"	90-1906	\$65.95

→ REPLACEMENT PARTS: SEE PAGE 81



FITMENT

- 4" bore S&S V-Series engines

FEATURES AND BENEFITS

- Special S&S 4" bore bolt pattern
- Machined for S&S manual or electric compression releases
- 2.000" intake valves and 1.605" exhaust valves
- Special "cast-to-shape" intake ports with a special directional fin for improved air flow
- Precision CNC machined from heat treated aircraft quality aluminum castings

KIT CONTENTS

- 2 fully assembled cylinder heads with S&S valve springs
- Threaded plugs to seal compression release holes



NOTES:

Due to expanded stud pattern, these heads will not fit on stock Evolution® engines

84cc heads are stock on 100" engines

93cc heads are stock on 107" and 113" engines

Extra parts needed: Gasket Kit For S&S® 4" Bore Heads 90-1909

→ **REPLACEMENT PARTS: SEE PAGE 81**

ASSEMBLED S&S® SUPER STOCK® HEAD KITS FOR 4" V-SERIES ENGINES

Description	Valve Springs	Finish					
		Natural	MSRP	Wrinkle Black	MSRP	Polished	MSRP
84cc	.650" lift	90-1015	\$1,601.95	-	-	-	-
93cc	.650" lift	90-1009 ^{USA}	\$1,570.95	90-1509 ^{USA}	\$1,662.95	90-1070	\$1,806.95

Cylinder heads

FITMENT

- 4 1/8" bore S&S V-Series engines

FEATURES AND BENEFITS

- Redesigned cooling fins—reduces mechanical noise
- 2.00" intake - 1.605" exhaust
- Complete head with .650 springs



→ **REPLACEMENT PARTS: SEE PAGE 83**

91cc 4 1/8" BORE S&S® REPLACEMENT CYLINDER HEADS

Finish	Part #	MSRP
Natural	90-1360 ^{USA}	\$1,825.95
Wrinkle Black	90-1361 ^{USA}	\$1,866.95
Polished	90-1362 ^{USA}	\$2,315.95

GASKET KITS FOR S&S SUPER STOCK™ CYLINDER HEADS

Bore Size	Part #	MSRP
4 1/8"	90-1910 ^{USA}	\$73.95



Order 608-627-1497

HEAD BOLT INFORMATION CHART					
Length w/Washer	Washer Thickness	Head Bolt w/Washer	MSRP	Washers Only	MSRP
1.690"	.250"	93-3028	\$15.95	50-7091	\$7.95
1.840"	.150"	93-3027	\$15.95	50-0418-S	\$9.95
1.920"	.250"	93-3036	\$21.95	50-7091	\$7.95
2.070"	.150"	93-3031	\$21.95	50-0418-S	\$9.95
2.220"	.250"	93-3038	\$21.95	50-7091	\$7.95
2.370"	.150"	93-3032	\$21.95	50-0418-S	\$9.95
3.134"	.250"	93-3029	\$21.95	50-7091	\$7.95
3.284"	.150"	93-3030	\$21.95	50-0418-S	\$9.95
3.501"	.250"	93-3037*	\$21.95	50-7091	\$7.95
3.651"	.150"	93-3033*	\$21.95	50-0418-S	\$9.95

*Drilled & tapped deeper to allow shortening for custom lengths.



HEAD BOLT WASHERS		
Thickness	Part #	MSRP
.150"	50-0418-S	\$9.95
.250"	50-7091	\$7.95



HEAD BOLTS FOR HARLEY-DAVIDSON® 1984-'99 BIG TWINS

Displacement	Cylinder Length	Cylinder Head Type	Short Bolt w/Washer	MSRP	Long Bolt w/Washer	MSRP	Head Bolt Kit	MSRP
S&S® 89 / HD® 80	5.550"	S&S + Late 1985-'91 HD	93-3027	\$15.95	93-3030	\$21.95	93-3010	\$102.95
		1991-'99 HD	93-3036	\$21.95	93-3030	\$21.95	93-3014	\$142.95
S&SV96	5.565"	S&S + Late 1985-'91 HD	93-3027	\$15.95	93-3030	\$21.95	93-3010	\$102.95
		1991-'99 HD	93-3036	\$21.95	93-3030	\$21.95	93-3014	\$142.95
S&SV100	4.745"	S&S	93-3027	\$15.95	93-3037	\$21.95	93-3010	\$102.95
S&SV103	5.750"	S&S + Late 1985-'91 HD	93-3036	\$21.95	93-3037	\$21.95	93-3015	\$142.95
		1991-'99 HD	93-3038	\$21.95	93-3037	\$21.95	93-3016	\$142.95
S&SV107	4.870"	S&S	93-3038	\$21.95	93-3037	\$21.95	93-3016	\$142.95
S&SV113	4.995"	S&S	93-3032	\$21.95	93-3033	\$21.95	93-3013	\$142.95
S&SV111	4.763"	S&S	-	-	93-3030	\$21.95	93-3070	\$142.95
S&SV117	4.888"	S&S	-	-	93-3030	\$21.95	93-3070	\$142.95
S&SV124	5.013"	S&S	-	-	93-3033	\$21.95	93-3072	\$141.95

→ CALCULATING CUSTOM HEAD BOLT LENGTHS SEE PAGE 225

Dress up your engine with these magnetic chrome head bolt covers. Easy installation, no tools, no messy adhesives. A powerful magnet holds cover in place, yet allows easy removal. Chrome plated steel looks great on any engine, but is a must for polished engines. For S&S head bolts only.

CHROME HEAD BOLT COVERS		
Description	Part #	MSRP
Set of 4	50-0333	\$91.95

WARNING: Cancer and Reproductive Harm – www.P65Warnings.ca.gov





FITMENT

- 1984–'99 big twins
- S&S 4 1/8" Bore

FEATURES AND BENEFITS

- OEM-style "umbrella" fittings are included with billet rocker boxes for 1993–'99 big twin engines with cylinder head venting.
- Cast rocker boxes use an exclusive one way valve, which is built into the rocker cover gasket to control oil carry over in "head breathing" engines.
- S&S billet rocker covers are available in two finishes: show quality chrome or unfinished. Unfinished is ideal for powder coating and other custom cosmetic treatments. Die-cast covers are available in chrome and gloss black finish.
- Installation on stock and most comparable sized engines can be performed without removing the engine from the frame.

KIT CONTENTS

- 2 covers
- All necessary gaskets, o-rings, and mounting hardware



90-4110

DIE-CAST ROCKER COVER KITS & REPLACEMENT GASKET KIT

Application	Description	Part #	MSRP
1984–'99 big twins	Chrome Die-Cast Rocker Cover Kit	90-4095± ^{USA 2,3}	\$1,175.95
	Replacement Gasket Kit	90-4091	\$91.95
S&S 4 1/8" Bore Engines	Gloss Black Die-Cast Rocker Cover Kit	900-0937	\$879.95
	Chrome Die-Cast Rocker Cover Kit	90-4110±	\$1,091.95
	Replacement Gasket Kit	90-4111	\$71.95

± WARNING: Cancer and Reproductive Harm – www.P65Warnings.ca.gov



S&S billet rocker covers

BILLET ROCKER COVER KITS & REPLACEMENT GASKET KIT

Description	Part #	MSRP
Chrome Billet Rocker Cover Kit	90-4050±	\$1,709.95
Unfinished Billet Rocker Cover Kit	90-4055	\$1,287.95
Replacement Gasket Kit	90-4049	\$91.95

± WARNING: Cancer and Reproductive Harm – www.P65Warnings.ca.gov

→ **REPLACEMENT PARTS: SEE PAGE 85**

NOTES: In spite of the similarities between different S&S billet and cast rocker covers, not all parts are interchangeable. See PAGE 84 & PAGE 85 for correct Part #. The performance-oriented design of the billet rocker boxes permits valve lifts up to .710" with stock or S&S Super Stock® heads, and up to .810" with S&S Special Application heads. S&S roller rocker arms are recommended for high lift cams. Cast rocker boxes may require some minor clearancing, and it is recommended that they be ordered either polished or unfinished, so that clearancing may be done without disturbing chrome plated surfaces. S&S billet rocker covers accept valve springs up to 1.660" O.D. without modification. Cast rocker boxes may require minor clearancing. Cylinder heads must be set up correctly for high-lift cams, and it remains the builder's responsibility to confirm all clearances. Kits include front and rear cover assemblies with base and top cover, rocker shaft supports, gaskets and o-rings, and instructions.



Order 608-627-1497

FITMENT

- 1984-'99 big twins
- S&S and other butterfly carbs
- CV carbs

FEATURES AND BENEFITS

- Fits stock or S&S heads
- Available for stock engines and engines with longer or shorter cylinders
- Other lengths are available by special order
- Provision for VOES lines, MAP sensors, and cylinder head vents in 4 1/8" bore engines



160-1628
Big twins with stock or S&S Super Stock® ignition



16-2588
Engines with S&S IST® ignition (MAP Sensor ready manifold)



16-2594
S&S 4 1/8" bore engines with Super Stock ignition



160-1736
CV style carbs

→ SEE PAGE 51 FOR U-RINGS FOR CONSTANT VELOCITY CARBS

CV MANIFOLDS FOR 1984-'99 BIG TWINS

Displacement	Cylinder Length	Size Number	Part #	MSRP
80", 89", 96"	5.550"	410	160-1736	\$152.95
88"	5.375"	397	160-1733	\$152.95
93"	5.500"	406	160-1734	\$152.95
100"	*4.745"	387	160-1732	\$151.95
107"	*4.870"	397	160-1733	\$152.95
113"	*4.995"	406	160-1734	\$152.95

*Cylinder lengths reflect the use of S&S SA crankcases with +.500 deck height in S&S 4" bore engines.

NOTE: S&S style o-rings must be used with these manifolds. S&S o-rings are slightly thinner to accommodate the larger S&S port diameter. Use of stock o-rings may damage the manifold. See PAGE 63.

MANIFOLDS FOR CARBURETED 1984-'99 EVOLUTION® AND S&S ENGINES WITH STOCK OR S&S SUPER STOCK™ IGNITION — VOES FITTING

Displacement	Cylinder Length	Size #	S&S ES, LS, Super A, B, E, Tillotson®, Bendix®, Keihin®	MSRP	Super G	MSRP
88"	5.375"	397	160-1626	\$131.95	16-2526	\$157.95
93"	5.500"	406	160-1627	\$132.95	16-2527	\$157.95
80", 89", 96"	Stock (5.550")	410	160-1628	\$132.95	16-2528	\$172.95
103"	5.750"	426	160-1632	\$151.95	16-2532	\$164.95
107"	*5.375"	397	160-1626	\$131.95	16-2526	\$157.95
111"	4.763"	398	160-1760	\$151.95	—	—
113"	*5.500"	406	160-1627	\$132.95	16-2527	\$157.95

*Cylinder lengths reflect the use of S&S SA crankcases with +.500 deck height in S&S 4" bore engines.

SPECIAL INTAKE MANIFOLDS FOR CARBURETED S&S® ENGINES FOR 1984-'99 BIG TWINS (REQUIRING MAP SENSOR MACHINING)

Displacement	Cylinder Length	Size #	Super E	MSRP	Super G	MSRP
Evolution and S&S Engines with Intelligent Spark Technology (IST®) Ignition — MAP Sensor Port						
80", 89", 96"	5.550"	410	160-1718	\$151.95	16-2588	\$167.95
107"	4.870"	397	160-1643	\$131.95	—	—
111"	4.763"	398	160-4487	\$151.95	16-2604	\$164.95
113"	4.995"	406	—	—	16-2606	\$157.95
117"	4.888"	408	—	—	16-2603	\$195.95
124"	5.013"	417	—	—	16-2598	\$164.95
4 1/8" Bore S&S Engines with Super Stock® Ignition — Extra Vacuum Fitting						
111"	4.763"	398	160-1760	\$151.95	16-2594	\$167.95
117"	4.888"	408	—	—	16-2595	\$154.95
124"	5.013"	417	—	—	16-2596	\$163.95



REPLACEMENT PARTS FOR MANIFOLDS

Description	Part #	MSRP
Manifold Fitting VOES Rubber Cap 3/16" I.D. x 5/16" O.D. x 1/2"	50-8372	\$6.95
Manifold Vacuum Fitting	16-0136-S	\$8.95

U-RINGS FOR CONSTANT VELOCITY CARBS

Description	Part #	MSRP
U-ring, 40-42mm	16-0242	\$40.95
U-ring, 44-48mm	16-0241	\$40.95



16-0136-S



50-8372



16-0241



16-0242

Manifolds For Single Bore EFI Engines

FITMENT

- Stock or S&S Hot Set Up Kit® equipped 1995-'98 big twins with S&S 52mm or 58mm throttle bodies, stock or S&S heads
- S&S V-Series engines

NOTE: The included S&S style o-ring, part #16-0235, must be used with these manifolds. S&S o-rings are slightly thinner to accommodate the larger S&S port diameter. Stock o-rings may damage the manifold.



16-5141

SINGLE BORE EFI MANIFOLDS

Displacement	Cylinder Length	Size #	Part #	MSRP
80", 89", 96"	5.550"	410	16-5141	\$247.95
V107"	4.763"	398	16-5136	\$247.95
V111"	4.763"	398	16-5136	\$247.95
V124"	5.013"	417	16-5139	\$267.95

Manifolds include the required S&S style o-ring.

Manifold Conversion Kit

MANIFOLD CONVERSION SELECTION CHART

Application	Cylinder Length	Size #	S&S ES, LS, Super B, Super E, Tillotson®, Bendix®, Keihin®	MSRP
1984-'89 big twin	5.550"	410	160-1658	\$254.95

REPLACEMENT PARTS

Description	Part #	MSRP	
Manifold	160-1628	\$132.95	
Flanges	Front 27009-86A	each 16-0232	\$72.95
		5 pack 16-0600	\$336.95
	Rear 27010-86A	each 16-0233	\$72.95
		5 pack 16-0601	\$339.95
Set (Front & Rear)	106-3516	\$173.95	
O-rings	each 16-0235	\$11.95	
	10 pack 16-0243	\$61.95	
0.350" Spacers	50-7044	\$7.95	



NOTES: S&S rigid mount manifolds are designed to improve intake tract air flow. These manifolds may change the way a stock carburetor and air cleaner assembly fit. This means that these components may require shimming and/or a slight change in mounting bracketing.

S&S manifold conversion kits for Harley-Davidson® Evolution® are designed to fit stock displacement engines.

Series #16-1600 manifolds included in Manifold Conversion Kits are machined with a 1 7/8" throat and will fit stock Keihin® butterfly carburetors, all S&S 1 3/4" and 1 7/8" carbs, and any other carburetors with the same mounting bolt pattern.

S&S style o-rings must be used with these manifolds. S&S o-rings are slightly thinner to accommodate the larger S&S port diameter. Use of stock o-rings may damage the manifold.



Order 608-627-1497

FITMENT

- 1993-1999 Big Twins

FEATURES AND BENEFITS

- "Easy Installation & tuning
- Washable filter element
- O-ring sealed idle mixture screw
- Increased air flow for more power
- Adjustable accelerator pump for quick throttle response and easy starting
- Use of the factory dual cable system ensures safe operation
- High quality fit and finish
- Variable position enrichment starting system
- Made in the USA"



KIT CONTENTS

- Carburetor
- Manifold
- Complete Air cleaner kit,
- Air Cleaner Cover
- All Necessary Hardware



SUPER E & G COMPLETE CARBURETOR KITS

Fitment	AC Finish	Super E	MSRP	Super G	MSRP
1993-1999 Big Twins	Chrome	110-0145	\$1,029.95	110-0147	\$1,049.95
1993-1999 Big Twins	Black	110-0146	\$1,029.95	110-0148	\$1,029.95

NOT LEGAL FOR SALE OR USE IN CALIFORNIA ON ANY POLLUTION CONTROLLED MOTOR VEHICLE. NOT LEGAL FOR SALE OR USE NATIONWIDE ON ANY FEDERAL POLLUTION CONTROLLED MOTOR VEHICLE UNDER THE CLEAN AIR ACT

Black Super E & G Carburetors

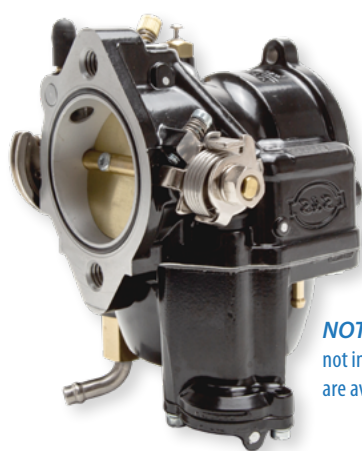
FEATURES AND BENEFITS

- Exclusive black coating — heat and chemical resistant
- Offered in standard venturi or increased venturi diameter — specially machined for 7% more flow

BLACK CARBURETORS FOR 1985-2005 BIG TWINS

Fitment	Description	Part #	MSRP
Increased venturi diameter <i>(7% more flow)</i>	Super E Carb	110-0099	\$514.95
	Super G Carb	110-0100	\$540.95
Standard venturi diameter	Super E Carb	110-0133	\$530.95
	Super G Carb	110-0138	\$530.95

NOT LEGAL FOR SALE OR USE IN CALIFORNIA ON ANY POLLUTION CONTROLLED MOTOR VEHICLE. NOT LEGAL FOR SALE OR USE NATIONWIDE ON ANY FEDERAL POLLUTION CONTROLLED MOTOR VEHICLE UNDER THE CLEAN AIR ACT



NOTE: These black carb kits do not include air cleaners. Air cleaner options are available starting on PAGE 18.



FITMENT

- 1984–'99 big twins

FEATURES AND BENEFITS

- Four fuel delivery ports — Better throttle response
- O-ring sealed idle mixture screw
- Increased air flow for more power
- Adjustable accelerator pump for quick throttle response and easy starting
- Utilization of the factory dual cable system ensures safe operation
- Direct replacement and high quality fit and finish — less down time and better performance
- Variable position enrichment starting system

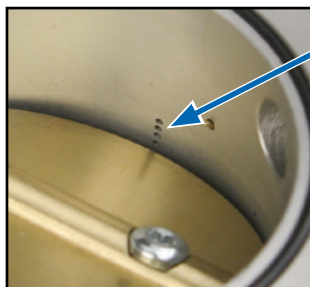
KIT CONTENTS

- Super E or G carburetor
- S&S intake manifold (For engines with stock length cylinders)
- Classic Teardrop air cleaner kit
- Mounting hardware
- Gaskets, seals, and hoses
- Instructions



SUPER E & G COMPLETE CARBURETOR KITS				
Fitment	Super E	MSRP	Super G	MSRP
1993–'99 big twin	11-0419	\$782.95	11-0434	\$834.95
1984–'92 big twin	11-0407	\$829.95	11-0427	\$874.95

NOT LEGAL FOR SALE OR USE IN CALIFORNIA ON ANY POLLUTION CONTROLLED MOTOR VEHICLE.
NOT LEGAL FOR SALE OR USE NATIONWIDE ON ANY FEDERAL POLLUTION CONTROLLED MOTOR VEHICLE UNDER THE CLEAN AIR ACT



As the throttle plate opens, it exposes more of these holes to engine vacuum and delivers more fuel as rpm increases. When you run out of holes in the intermediate system, the main jet comes in and handles fuel delivery for the higher rpm.

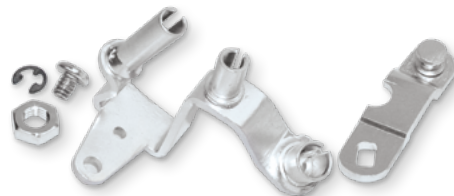
→ REPLACEMENT PARTS: SEE PAGE 97

SUPER E & G PARTIAL KIT (NO MANIFOLD)				
Fitment	Super E	MSRP	Super G	MSRP
1993–'99 big twin	11-0442	\$731.95	-	-
1984–'92 big twin	11-0440	\$710.95	-	-
1993–'99 big twin	-	-	11-0446	\$754.95

Does not include intake manifold. Partial kit designed for engines with longer/shorter than stock cylinders. Manifold is ordered separately. See PAGE 50
NOT LEGAL FOR SALE OR USE IN CALIFORNIA ON ANY POLLUTION CONTROLLED MOTOR VEHICLE. NOT LEGAL FOR SALE OR USE NATIONWIDE ON ANY FEDERAL POLLUTION CONTROLLED MOTOR VEHICLE UNDER THE CLEAN AIR ACT

OPTION

Optional cruise control adapter kits allows riders to keep factory cruise feature.



SUPER E & G CARBURETOR ONLY				
Fitment	Super E	MSRP	Super G	MSRP
All Years & Models	11-0420	\$458.95	11-0421	\$499.95

NOT LEGAL FOR SALE OR USE IN CALIFORNIA ON ANY POLLUTION CONTROLLED MOTOR VEHICLE.
NOT LEGAL FOR SALE OR USE NATIONWIDE ON ANY FEDERAL POLLUTION CONTROLLED MOTOR VEHICLE UNDER THE CLEAN AIR ACT

CRUISE CONTROL ADAPTER KIT		
Fitment	Part #	MSRP
1998–'06 big twin	11-2927	\$112.95

NOTES: S&S® does not recommend polishing or chrome plating Super E & G carbs. Our repair department has seen many carbs with plugged passages due to polishing compounds, and some carbs that have been destroyed because the polishing or chrome plating had altered critical machined surfaces.

Recommended for closed circuit use only—S&S Super E & G carbs shown are not approved for use on motor vehicles operated on California public highways, or in other states where similar pollution laws may apply. The user shall determine the suitability of the product for his or her use and shall assume all risk and liability in connection therewith.

for S&S Super E & G Carburetors

For those who need to rejet their carburetor because of engine modifications, exhaust modifications, or changes in altitude, we have extra jet kits available which are designed to cover most jetting situations.

Order 608-627-1497

DEALER JET KITS

Description	Part #	MSRP
S&S Jet Kit (Includes 3 each of all intermediate jets and 5 each of all main jets, plus a main jet tool)	11-3102	\$418.95
⚠ WARNING: Cancer and Reproductive Harm – www.P65Warnings.ca.gov		



11-3102

JET PACKS

Description	Part #	MSRP
Low Range Jet Pack — For jetting most stock and moderate performance engines		
Includes one each intermediate jets (.025", .0265", .028", .0295") one each main jets (.062", .064", .066", .068", .070", .072", .074").	11-7270	\$71.95
High Range Jet Pack — For jetting some stock and all performance engines		
Includes one each intermediate jets (.0295", .031", .032", .033") and one each main jets (.072", .074", .076", .078", .080", .082", .084").	11-7271	\$71.95
Master Jet Pack — For jetting all Super B, E, and G equipped engines		
Includes one each intermediate jets (.025", .0265", .028", .0295", .031", .032", .033") and one each main jets (.062", .064", .066", .068", .070", .072", .074", .076", .078", .080", .082", .084").	11-7272	\$112.95
⚠ WARNING: Cancer and Reproductive Harm – www.P65Warnings.ca.gov		



11-7272

Early Series #94 gas jets were stamped with single digit numbers. Conversions for these numbers are:

- 1025"
- 2028"
- 3031"
- 4033"
- 5036"
- 6040"



106-3517

INTERMEDIATE JETS - SERIES #94 INDIVIDUAL SELECTION

Size	QTY	Part #	MSRP	Size	QTY	Part #	MSRP
.025	each	11-0250	\$15.95	.032	each	11-0320	\$15.95
	3 pack	11-7107	\$40.95		3 pack	11-7112	\$40.95
.0265	each	11-0265	\$15.95	.033	each	11-0330	\$15.95
	3 pack	11-7108	\$40.95		3 pack	11-7113	\$40.95
.028	each	11-0280	\$15.95	.036	each	11-0360	\$15.95
	3 pack	11-7109	\$40.95		3 pack	11-7114	\$40.95
.0295	each	11-0295	\$15.95	.040	each	11-0400	\$15.95
	3 pack	11-7110	\$40.95		3 pack	11-7115	\$40.95
.031	each	11-0310	\$15.95	Blank	each	11-0000	\$11.95
	3 pack	11-7111	\$40.95				

⚠ WARNING: Cancer and Reproductive Harm – www.P65Warnings.ca.gov

NOTE: No returns or exchanges on jets.



MAIN JETS — SERIES #72 INDIVIDUAL SIZE SELECTION

Size	QTY	Part #	MSRP	Size	QTY	Part #	MSRP
.040	each	11-713.95	\$14.95	.080	each	11-4080	\$14.95
	5 pack	11-7220	\$50.95		5 pack	11-7240	\$50.95
.042	each	11-4042	\$14.95	.082	each	11-4082	\$14.95
	5 pack	11-7221	\$50.95		5 pack	11-7241	\$50.95
.044	each	11-4044	\$14.95	.084	each	11-4084	\$14.95
	5 pack	11-7222	\$50.95		5 pack	11-7242	\$50.95
.046	each	11-4046	\$13.95	.086	each	11-4086	\$14.95
	5 pack	11-7223	\$50.95		5 pack	11-7243	\$50.95
.048	each	11-4048	\$14.95	.088	each	11-4088	\$14.95
	5 pack	11-7224	\$50.95		5 pack	11-7244	\$50.95
.050	each	11-4050	\$14.95	.090	each	11-4090	\$13.95
	5 pack	11-7225	\$50.95		5 pack	11-7245	\$49.95
.052	each	11-4052	\$14.95	.092	each	11-4092	\$15.95
	5 pack	11-7226	\$50.95		5 pack	11-7246	\$50.95
.054	each	11-4054	\$14.95	.094	each	11-4094	\$15.95
	5 pack	11-7227	\$50.95		5 pack	11-7247	\$50.95
.056	each	11-4056	\$14.95	.096	each	11-4096	\$14.95
	5 pack	11-7228	\$50.95		5 pack	11-7248	\$50.95
.058	each	11-4058	\$14.95	.098	each	11-4098	\$14.95
	5 pack	11-7229	\$50.95		5 pack	11-7249	\$50.95
.060	each	11-4060	\$14.95	.100	each	11-4100	\$14.95
	5 pack	11-7230	\$50.95		5 pack	11-7250	\$50.95
.062	each	11-4062	\$14.95	.102	each	11-4102	\$14.95
	5 pack	11-7231	\$50.95		5 pack	11-7251	\$50.95
.064	each	11-4064	\$14.95	.104	each	11-4104	\$14.95
	5 pack	11-7232	\$50.95		5 pack	11-7252	\$50.95
.066	each	11-4066	\$14.95	.106	each	11-4106	\$14.95
	5 pack	11-7233	\$50.95		5 pack	11-4110	\$15.95
.068	each	11-4068	\$14.95	.110	each	11-4110	\$15.95
	5 pack	11-7234	\$50.95		5 pack	11-7255	\$50.95
.070	each	11-4070	\$14.95	.115	each	11-4115	\$14.95
	5 pack	11-7235	\$50.95		5 pack	11-7256	\$50.95
.072	each	11-4072	\$14.95	.120	each	11-4120	\$14.95
	5 pack	11-7236	\$50.95		5 pack	11-7257	\$50.95
.074	each	11-4074	\$14.95	WARNING: Cancer and Reproductive Harm – www.P65Warnings.ca.gov			
	5 pack	11-7237	\$50.95				
.076	each	11-4076	\$14.95	WARNING: Cancer and Reproductive Harm – www.P65Warnings.ca.gov			
	5 pack	11-7238	\$50.95				
.078	each	11-4078	\$14.95	WARNING: Cancer and Reproductive Harm – www.P65Warnings.ca.gov			
	5 pack	11-7239	\$50.95				

S&S® CARBURETOR REBUILD KITS

To insure that you continue to get the utmost in performance from your S&S carburetor, we have put together a series of rebuild kits that are designed to provide the proper parts to return a worn carburetor to top shape. We have assembled different types of kits to cover the different degrees of rebuild necessary.

MASTER REBUILD KITS

Master rebuild kits contain a body rebuild kit, accelerator pump rebuild kit (Super E and G only), all new fasteners, springs, idle mixture screw, seat, and needle assembly. Everything needed to completely rebuild one carburetor.

BODY REBUILD KITS

Body rebuild kits for Super E and G carbs also contain throttle shaft nuts, nylon washers, accelerator pump o-ring, and accelerator pump boot. Body rebuild kits for Super E and G carbs do not contain throttle shaft bushings since these carbs have stainless steel throttle shaft bushings already installed.

ACCELERATOR PUMP REBUILD KITS

Accelerator pump rebuild kits contain diaphragm, diaphragm spring, check balls, check ball spring, pump pushrod, and required hardware and o-rings.

BASIC REBUILD KIT

A gasket and seal kit for low mileage Super E & G carbs. Perfect to reassemble carbs taken apart for inspection and cleaning.

MASTER REBUILD KIT		
Description	Part #	MSRP
Super E	11-2923	\$112.95
Super G	11-2924	\$112.95
WARNING: Cancer and Reproductive Harm – www.P65Warnings.ca.gov		

BODY REBUILD KIT		
Description	Part #	MSRP
Super E	11-2906	\$61.95
Super G	11-2907	\$61.95
WARNING: Cancer and Reproductive Harm – www.P65Warnings.ca.gov		

BASIC REBUILD KIT		
Description	Part #	MSRP
Super E & G	110-0067	\$50.95
WARNING: Cancer and Reproductive Harm – www.P65Warnings.ca.gov		

MAIN JET AIR BLEED KIT (ONE JET EACH SIZE)		
Sizes	Part #	MSRP
.042"– .060"	106-3517	\$90.95
.084"– .120"	106-3518	\$73.95

WARNING: Cancer and Reproductive Harm – www.P65Warnings.ca.gov

ACCELERATOR PUMP REBUILD KIT		
Description	Part #	MSRP
Super E & G	11-2918	\$28.95

1984–1999 Evolution® 1936–1984 Vintage Engines Tools & Shop Supplies Warranty & Company Policy Appendix





The S&S two cable throttle assemblies are high quality "pull open – pull close" type throttles designed for use on any two cable carburetor installations on bikes with 1" O.D. handlebars. A special soft plastic material used to mold the grips makes them look and feel exactly like stock grips. There are four different assemblies available to make installation on most chassis easy.



TWO CABLE THROTTLE REQUIRED

S&S Super E and G carburetors require the use of a two cable, pull open–pull closed throttle assembly. Any chassis including 1980 and earlier stock models equipped with a single cable throttle mechanism requires conversion to a two cable, pull open–pull closed type. S&S offers high quality two cable throttle assemblies for this purpose. Stock big twin models from 1981 to present have a two cable throttle and should not require changing. Super E and G Carb kits for 1990 and later models come with the new longer throttle cable guide bracket which allows the use of the stock CV style throttle cables.

NOTE: The chart on this page is used only when using throttle cable bracket part #11-2339. This bracket is standard on all S&S Super E & G carburetor kits for big twins 1989 and earlier and all kits for Harley-Davidson® Sportster® models with the exception of the kit for 2004–'05 models. Carburetor kits for 1990 and later big twin models come with the longer cable bracket part #11-2338 for use with stock CV throttle cables. Super E and G carburetors ordered for big twin models 1981 and later are being shipped with the correct throttle cable bracket to fit the stock cables. Big twin carbs that are not year specific will be shipped with both cable brackets. All Sportster models 1988–'03 will still require conversion to butterfly style cables.

THROTTLE CABLE APPLICATION CHART

Application	Fastening Method	Length Total Housing	Length Vinyl Housing	Open Side	MSRP	Close Side	MSRP
FX and FL models 1985 and earlier* Big Twin models 1995 and earlier*	Threaded	36"	32"	19-0432	\$81.95	19-0433	\$81.95
To 1995 Harley-Davidson® Softail® (FXSTC, FXST, FLSTC, FLSTF) 1986–'94 FXR, 1993-'95 Dyna®	Threaded	39"	35"	19-0434	\$81.95	19-0435	\$81.95
To 1995 All FLT models	Threaded	48"	44"	19-0462	\$81.95	19-0463	\$81.95
To 1995 custom application	Threaded	42"	38"	19-0446	\$81.95	19-0447	\$81.95
1996–'99 Softail (FXSTS, FXSTC, FLSTC, FLSTF) 1996–'99 Dyna®	Snap-in	39"	35"	19-0438	\$81.95	19-0439	\$81.95
1996–'99 All FLT models	Snap-in	48"	44"	19-0464	\$81.95	19-0465	\$81.95
1996–'99 custom application	Snap-in	42"	38"	19-0440	\$81.95	19-0441	\$81.95

*1980 and earlier must be converted to dual cable throttle assembly. 1998 and later required Harley-Davidson® throttle assembly #71831-96.

REPLACEMENT PARTS

Description	Part #	MSRP
S&S Universal Throttle Cable	106-3520	\$50.95
Throttle Grip Clamp Set 1985–'95	106-3519	\$50.95
Top Throttle Grip Clamp only	19-0222	\$22.95
Bottom Throttle Grip Clamp only	19-0220	\$22.95
Throttle Grip Clamp Screw <i>(Fits S&S throttle assemblies: Part #19-0448, #19-0449, #19-0482, #19-0450, #19-0229)</i>	50-0043	\$6.95
Throttle Grip Set	106-3521	\$81.95
Right Hand Grip only	19-0225	\$50.95
Left Hand Grip only	19-0226	\$40.95
Cable Adjuster <i>(Fits S&S throttle assembly part #19-0229)</i>	19-0223	\$9.95
Cable Adjuster Jam Nut <i>(Fits S&S throttle assembly part #19-0229)</i>	19-0227	\$4.95
Handlebar Spacing Sleeve 4" x 1" O.D. — converts 7/8" handlebars to 1" O.D.	19-0235	\$24.95



106-3521



106-3520

All reference to HD® Part #s is for identification purposes only. We in no way are implying that any of S&S® Cycle's products are original equipment parts or that they are equivalent to the corresponding HD Part # shown.



Order 608-627-1497

FITMENT

- S&S cylinder heads with compression release machining

OPTIONS:

MANUAL RELEASE:

Activated by a cable similar to a choke control, this slick system can be used with any style rocker cover.

ELECTRIC RELEASE:

Solenoid operated, this system automatically opens and closes when the starter button is pressed and released. Convenient and simple, this is the best setup for big displacement high compression bikes. Requires S&S die cast rocker covers.



90-4915

COMPRESSION RELEASE KITS		
Description	Part #	MSRP
Electric	90-4915	\$448.95

TOOLS AND ACCESSORIES		
Description	Part #	MSRP
S&S Two-Piece Socket Kit: <i>Allows in-frame installation of S&S compression releases and protects wiring from damage during installation.</i>	53-0045	\$178.95
S&S Compression Release Hole Plug	90-4916	\$24.95



90-4916

53-0045

55-1009

NOTES: S&S rocker covers must be used with electric compression releases due to clearance requirements for the solenoids.

Rocker covers must be removed when installing S&S® compression releases. If lack of frame clearance prevents removal of rocker covers, engine must be removed from frame for compression release installation.

In most cases, S&S compression releases can be installed while the engine is in the frame with the special S&S two-piece socket kit, part #53-0045.

If cylinder heads are machined for S&S compression releases, but compression releases are not used, special plug part #90-4916 (two required) must be installed to seal the machined hole.

Stock cylinder heads cannot be machined for S&S compression releases because there is not enough material in critical areas.

REPLACEMENT PARTS		
Description	Part #	MSRP
Silicone Solenoid Caps	55-1009	\$9.95
Wiring Harness	USA 2,3 55-1010	\$141.95
Electric Compression Release Assembly	90-4914	\$193.95

High Output Coils

HIGH OUTPUT COILS		
S&S High Output 3.0Ω Single Fire Coil	Part #	MSRP
<i>The perfect complement for S&S IST ignition systems. This single fire coil is actually two separate coils in a single package. Coil impedance is 3Ω per coil.</i>	55-1571	\$193.95
S&S High Output 0.5Ω Single Fire Coil	USA 4 55-1576	\$173.95
<i>High output 0.5Ω single fire coil for S&S IST ignition.</i>		



55-1571

55-1576



FITMENT

- 1984–1999 big twins

FEATURES AND BENEFITS

- One piece machined aluminum housing reduces vibration and improves heat dissipation and reliability
- Improved kick start algorithm designed to start as easily as points
- BCD switches with solid detent and legible marking allow easy and repeatable adjustments of mode, advance rate, and rev limit
- Single-fire and dual-fire function built into a single module
- Flexible wiring harness makes installation easier
- Initial timing marks allow precise adjustment and reinstallation
- Sensor covers integrated into housing to provide protection during installation



HI-4N PERFORMANCE IGNITION		
Fitment	Part #	MSRP
Ignition only	550-0501	\$411.95
Kit Includes S&S® HI-4N Ignition, Single-Fire Coil, and 8.8mm double silicone, premium quality spark plug wires	550-0502	\$566.95

NOT LEGAL FOR SALE OR USE IN CALIFORNIA ON ANY POLLUTION CONTROLLED MOTOR VEHICLE. NOT LEGAL FOR SALE OR USE NATIONWIDE ON ANY FEDERAL POLLUTION CONTROLLED MOTOR VEHICLE UNDER THE CLEAN AIR ACT

Super Stock® Ignitions

FITMENT

- V-Series engines
- V80, V92, V96, V100, V107, V111, V113, V117, V124, V145

FEATURES AND BENEFITS

- Electric-start mode allows the pre-ignition cranking to be set anywhere from 1 to 4 engine revolutions (only available with current modules— earlier modules cannot be updated)

- Pre-programmed ignitions are custom tailored for a specific S&S engine— no need for adjustments
- Single fire operation — requires a single fire coil for single spark plug applications
- Dual plugged applications require a pair of two tower coils or a single four tower coil
- Minimum 3.0Ω primary resistance
- Overload and short circuit protected
- VOES switches to less aggressive curve under load or hard acceleration
- 6300 rpm rev-limiter
- 24-hour break-in rev-limiter — prevents damage during break-in
- Data logging diagnostic capabilities

SUPER STOCK® IGNITION MODULE AND KITS

Engine	Kit	MSRP	Module	MSRP
V80	550-0140	\$485.95	550-0139	\$367.95
V96	55-1354	\$493.95	55-1344	\$395.95
V100, V107, V113	55-1355	\$499.95	55-1345	\$388.95
V111, V117, V124	55-1356	\$463.95	55-1346	\$384.95

NOT LEGAL FOR SALE OR USE IN CALIFORNIA ON ANY POLLUTION CONTROLLED MOTOR VEHICLE. NOT LEGAL FOR SALE OR USE NATIONWIDE ON ANY FEDERAL POLLUTION CONTROLLED MOTOR VEHICLE UNDER THE CLEAN AIR ACT

NOTE — Only modules and kits with the above Part #s have the updated features.

SUPER STOCK® IGNITION KIT REPLACEMENT PARTS

Description	Part #	MSRP
Pick-up Cup and Mounting Screw	55-1247[±]	\$21.95
Connector Kit	55-1249	\$14.95
VOES Switch with Hardware	55-1248	\$101.95
VOES Hose, 9"	19-0395	\$8.95
VOES Manifold Fitting	16-0136-S	\$8.95
VOES Hose Tee	50-8124-S	\$8.95

Optional Parts

S&S Single Fire Coil (3.0Ω)	55-1571	\$193.95
-----------------------------	----------------	----------

WARNING: Cancer and Reproductive Harm — www.P65Warnings.ca.gov



NOTES: S&S Super Stock ignition systems are available in complete ignition kits and as replacement modules. S&S single fire ignition coils are available separately. Keep in mind that the curves are preset for a specific S&S engine, and that modules intended for one engine may not yield optimum results when used on another configuration.



Order 608-627-1497

FITMENT

- All 1991-'06 big twins (except '06 Dyna®)

FEATURES AND BENEFITS

- Will not "walk" on transmission mainshaft
- Prevents costly damage to mainshaft seal, output gear & output gear bearing
- Simple to install



INNER PRIMARY BEARING RACE		
Fitment	Part #	MSRP
All 1991-'06 big twins (except '06 Dyna®)	56-5089	\$81.95

→ ANY JOB IS EASY WITH THE RIGHT TOOLS: S&S INNER BEARING RACE INSTALLER, SEE PAGE 203

Gates® High Strength Final Drive Belts

S&S final drive belts by Gates are available with 14mm pitch in 1½" and 1⅞" widths. See the chart below and match the width and number of teeth required for your vehicle. You can find this information in the vehicle service manual.



SECONDARY DRIVE BELTS (14MM PITCH)				
Teeth	1⅞" Wide	MSRP	1½" Wide	MSRP
125	106-0357	\$284.95	–	–
126	–	–	106-0348	\$287.95
127	–	–	106-0349	\$292.95
128	106-0358	\$284.95	106-0350	\$287.95
130	106-0359	\$284.95	106-0351	\$292.95
132	106-0360	\$284.95	106-0352	\$292.95
133	106-0361	\$284.95	106-0353	\$292.95
135	106-0362	\$287.95	106-0354	\$292.95
136	–	–	106-0355	\$308.95
139	106-0363	\$287.95	106-0356	\$303.95
149	106-1338	\$298.95	106-2695	\$339.95
156	–	–	106-2827	\$289.95

REBUILD GASKET KITS FOR S&S V-SERIES 1984-'99 ENGINES AND HOT SET UP KIT®

4 1/8"	106-0964	\$224.95
4"	106-1020	\$224.95
3 3/8"	106-0992	\$226.95
3 1/2"	310-0928	\$263.95

TOP END GASKET KITS V-SERIES 1984-'99

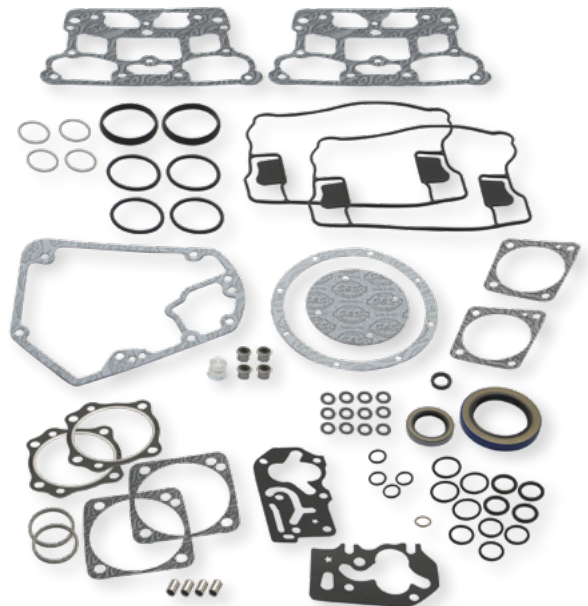
4 3/8"	90-9511	\$163.95
4 1/8"	90-9506	\$112.95
4"	90-9503	\$91.95
3 3/8"	90-9502	\$94.95
3 1/2"	900-0974	\$109.95

CYLINDER HEAD GASKET KITS V-SERIES 1984-'99

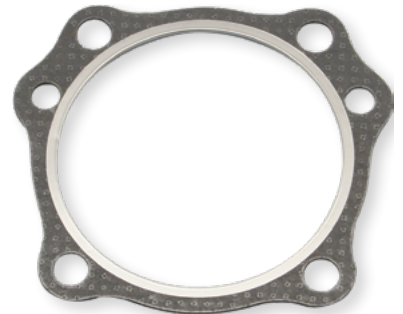
4 1/8"	.043" Micropore	90-1910	\$73.95
4"	.045" Micropore	90-1909	\$50.95
3 3/8"		90-1906	\$65.95
3 1/2"		90-1905	\$72.95
3 1/2"	.030" Layered Steel	900-0532	\$81.95

HEAD GASKETS V-SERIES 1984-'99

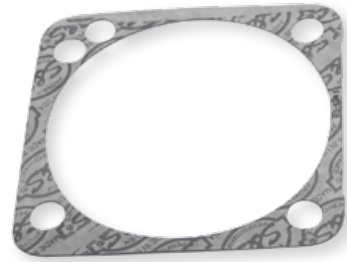
4 1/8"	.043" Micropore	each	93-1047-S	\$17.95
		2 pack	930-0100	\$30.95
		10 pack	93-1073	\$152.95
4"	.043" Micropore	each	93-1040-S	\$17.95
		2 pack	930-0087	\$27.95
		10 pack	93-1071	\$163.95
3 3/8"	.045" Micropore	each	93-1037-S	\$15.95
		2 pack	930-0091	\$29.95
		10 pack	93-1052	\$164.95
3 3/8"	.0625" Micropore	each	93-1016-S	\$23.95
		2 pack	930-0097	\$52.95
		10 pack	93-1053	\$182.95
3 1/2"	.045" Micropore 16770-84D, 16770-84F	each	93-1011-S	\$29.95
		2 pack	930-0098	\$50.95
		10 pack	93-1024	\$275.95
3 1/2"	.0625" Micropore 16770-84D, 16770-84F, 10773-85	each	93-1313-S	\$20.95
3 1/2"	.030" Layered Steel	each	900-0530	\$31.95



106-0964



93-1047-S



93-1048-S



106-5029



900-0338

BASE GASKETS AND O-RINGS V-SERIES 1984-'99				
4 3/8"	.018" Micropore	2 pack	93-1082	\$19.95
4 1/8"	.018" Micropore	each	93-1048-S	\$11.95
		2 pack	930-0099	\$16.95
4"	.018" Micropore	10 pack	93-1074	\$71.95
		each	93-1031-S	\$10.95
		2 pack	930-0094	\$14.95
3 5/8"	.018" Micropore	10 pack	93-1067	\$61.95
		each	93-1033-S	\$9.95
3 1/2"	.018" Micropore	2 pack	930-0093	\$13.95
		10 pack	93-1064	\$50.95
3 1/2"	.018" Micropore	each	93-1035-S	\$13.95
		2 pack	930-0092	\$23.95

EXHAUST GASKETS			
1984-up Big Twins 65324-83B, 65324-83A	each	106-5029	\$7.95
	10 pack	93-1072	\$71.95

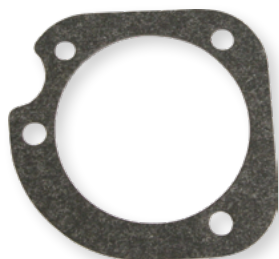
VALVE GUIDE SEALS			
1984-'02 Big Twin and 1986-'00 Sportster® Models	each	900-0338	\$7.95
	8 pack	90-2158	\$23.95

ROCKER BOX GASKET KITS AND INDIVIDUAL GASKETS			
S&S Billet Rocker Boxes			
Gasket Kit	90-4049	\$91.95	
O-ring, (-223), 1.625" ID x 1.875" OD, Viton	50-8044	\$6.95	
Valve Cover Seal 26856-89, 26856-89A	90-4030	\$7.95	
Gasket, Rocker Cover, S&S® Billet, O-ring, 1984-'99	90-4048	\$21.95	
Gasket, Bottom, Rocker Cover, 1984-99 bt	each	900-0538	\$17.95
	2 pack	900-0592	\$40.95
Gasket Kits			
Gasket Kit	90-4111	\$71.95	
O-ring, (-223), 1.625" ID x 1.875" OD, Viton	50-8044	\$6.95	
Gasket, Bottom, Rocker Cover, 4 1/8" 1984-up 16719-99B	each	90-4071-S	\$12.95
	2 pack	90-4071	\$20.95
	10 pack	90-4099	\$91.95
Gasket, Rocker Cover, S&S® Die Cast, O-ring, 1984-up	90-4079	\$19.95	

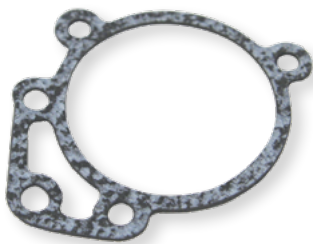


S&S Die Cast Rocker Boxes - 3 1/2", 3 5/8" and 4" Bore Engines				
Gasket Kit	90-4091	\$91.95		
O-ring, (-223), 1.625" ID x 1.875" OD, Viton	50-8044	\$6.95		
Gasket, Bottom, Rocker Cover, 1984-99 bt	each	900-0538	\$17.95	
	2 pack	900-0592	\$40.95	
Gasket, Rocker Cover, S&S® Die Cast, O-ring, 1984-up	90-4079	\$19.95		
Stock Rocker Boxes				
Gasket Kit, Rubber, 1984-'91 17038-90	90-4046	\$113.95		
LOWER END GASKETS AND SEALS				
Gear Cover Gasket For 1970-'99 25225-93A, 25225-93B, 25225-70C, 25257-80	each	31-2107	\$9.95	
	10 pack	106-0232	\$44.95	
Camshaft Oil Seals, 1970-'99 83162-51	each	31-4022	\$8.95	
Tappet Cover Gasket	Set (includes Front & Rear) 18633-48	each	33-5302	\$10.95
		10 pack	33-5313	\$61.95
Tappet Cover Gasket	Front 18634-48C	each	33-5302F	\$9.95
		10 pack	33-5313F	\$27.95
Tappet Cover Gasket	Rear 18633-48B, 18633-48D	each	33-5302R	\$9.95
		10 pack	33-5313R	\$31.95
PUSHROD O-RINGS				
O-ring, Kit, Pushrod Cover, 1984-'99 bt, 1986-2003 xl	93-4022	\$12.95		
Top O-ring 11293, 11157, 11101, 11190	50-8039	\$6.95		
Middle O-ring 11132A	50-8038	\$6.95		
Bottom O-ring 11145A	50-8037	\$6.95		
Oil Jet O-ring - S&S 4 1/8" Bore Engines	each	50-8270	\$6.95	
	5 pack	50-8275	\$9.95	
SPROCKET SHAFT SEAL				
1970-up bt 120268	each	31-4010	\$13.95	
	5 pack	31-4110	\$61.95	

All reference to HD® Part #s is for identification purposes only. We in no way are implying that any of S&S® Cycle's products are original equipment parts or that they are equivalent to the corresponding HD Part # shown.



106-6022



106-1724

OIL PUMP GASKETS

S&S Standard Cast and Billet Oil Pumps

1936-'91 Standard	31-6271	\$17.95
1992-'99 Standard	31-6273	\$17.95

SEE PAGE 31 FOR STANDARD OIL PUMP MASTER REBUILD KITS

S&S High Volume High Pressure (HVHP) Oil Pumps

1984-'91 Big Twin HVHP 31-6306	31-6308	\$14.95
1992-'99 Big Twin HVHP	31-6299	\$15.95

SEE PAGE 31 FOR HIGH VOLUME HIGH PRESSURE OIL PUMP MASTER REBUILD KITS

Oil Pump Drive Shaft Seal

S&S Standard Cast and Billet Oil Pumps 26227-58	31-6005	\$9.95
S&S High Volume High Pressure (HVHP) Oil Pumps	31-6064-S	\$9.95

FUEL SYSTEM GASKETS

Manifold Seals

S&S Manifold O-ring	each	16-0235	\$11.95
	10 pack	16-0243	\$61.95
Stock Manifold O-ring 26995-86B, 26995-86A, 26992-99	each	16-0236	\$10.95
	10 pack	16-0244	\$60.95
Cap, Rubber, Manifold, Fitting		50-8372	\$6.95

Classic Teardrop Air cleaner

Back Plate Gasket	each	106-1724	\$8.95
	10 pack	106-2328	\$40.95
Vent Seal Washers, Silicone Coated Steel	each	50-7054	\$7.95
	10 pack	50-7059	\$17.95

Stealth Air cleaner

Back Plate gasket

Stock CV Carb & EFI Throttle Body, 1991-up xl/bt 29062-95B		106-6022	\$8.95
Super E/G	each	106-1724	\$8.95
	10 pack	106-2328	\$40.95
Muscle Air Cleaner (includes lanyards)		170-0137	\$29.95
Vent Seal Washers, Silicone Coated Steel, .520" x .880" x .024"	each	50-7055	\$7.95
	10 pack	50-7057	\$17.95

Tuned Induction

Back Plate gasket

Gasket, Backplate - E/G/SBEFI	each	106-1724	\$8.95
	10 pack	106-2328	\$40.95
Gasket, S&S SBEFI 58mm		106-4662	\$10.95
Gasket, Stock Carb/Throttle Body 29062-95B		106-6022	\$8.95
Adaptor Plate Gasket		17-1022	\$10.95
Adaptor Plate Bracket O-ring	each	50-0446	\$8.95

Single Bore EFI Throttle body

Back Plate gasket

52mm	each	106-1724	\$8.95
	10 pack	106-2328	\$40.95
58mm	each	106-4662	\$10.95
O-ring, Throttle Body to Manifold		50-7967-S	\$7.95
Air Temp Sensor Gasket		16-5009-S	\$9.95
IAC O-ring		50-8149-S	\$6.95
Fuel Injector O-ring, Top		50-8264-S	\$7.95
Fuel Injector O-ring, Bottom		50-8265-S	\$7.95
Fuel Rail Inlet O-ring 27237-95	each	50-8137-S	\$6.95

TRANSMISSION GASKETS

O-ring, (-114), .625" ID x .812" OD, Vitron 11270	50-8033	\$6.95
O-ring, Quad Seal, (-031), 1.734" X 1.875", Nitrile 11165	50-8045	\$11.95
Seal, Transmission Output Shaft, 2.255" x 3.388" x .250 12067B	56-3033	\$16.95

PRIMARY GASKETS

Gasket, Primary Cover, 1990-'99 Softail® and Dyna®	56-4049	\$61.95
--	----------------	---------



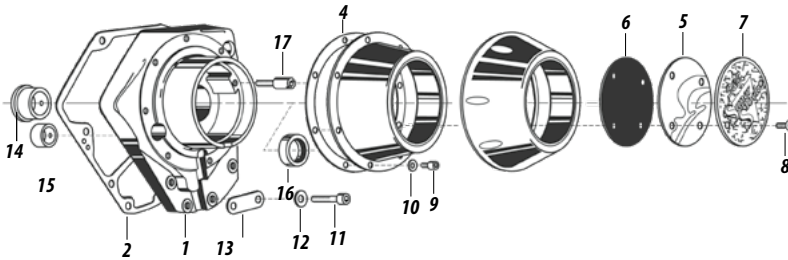
170-0137

All reference to HD® Part #s is for identification purposes only. We in no way are implying that any of S&S® Cycle's products are original equipment parts or that they are equivalent to the corresponding HD Part # shown.

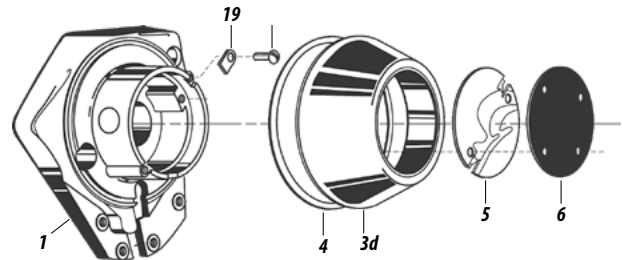
1984-1999 Evolution®
1936-1984 Vintage Engines
Tools & Shop Supplies
Warranty & Company Policy
Appendix

1. Gearcover assembly	N/A	
2. Gasket, gearcover		
25225-93A, 25225-93B, 25225-70C, 25257-80		
each	USA 31-2107	\$9.95
10 pack	USA 106-0232	\$44.95
3. Outer cover for cast gearcovers - 1984-'99 BT		
a. Flanged type - steel, chrome	N/A	
b. Flanged type - steel, black	N/A	
c. Flanged type - billet	N/A	
d. Flangeless type - chrome	USA 31-0238±	\$67.95
e. Flangeless type - black	N/A	
4. Gasket, outer cover - 1984-'99 BT		
Flanged type (each)	31-0218	\$10.95
Flangeless type (each)	31-0237	\$8.95
5. Ignition cover, inner - 1984-'99 BT		
Flangeless type	USA 31-0235	\$8.95
6. Gasket, ignition cover - 1984-'99 BT		
32591-80, 32591-70		
each	USA 31-0225	\$4.95
7. Ignition cover, outer - 1984-'99 BT		
Die-cast (HD® #32524-83)	N/A	
Billet, Chrome with S&S Logo	USA 1,2,3 31-0332±	\$87.95
Billet, Gloss Black with S&S Logo	310-0897	\$70.95
8. Screw, RSH - 8-32 x 1/2" (replaces stock rivets)		
Stainless Steel (each)	50-0048	\$6.95
Chrome (each)	50-0266-5±	\$8.95
9. Screw, SH		
10-24 x 1/4" for steel cover (each)	N/A	-
10-24 x 3/8" - chrome for billet cover 4091 (each)	50-0023±	\$7.95
10. Washer, flat .192" x 5/16" x .035"		
each	50-7009	\$6.95
11. Screw, SH 1/4"-20 x 1 1/4" - 4740A, 3482A		
Zinc (each)	50-0008	\$6.95
Chrome (each) 4740A	50-0257-5±	\$8.95
12. Washer, flat		
1/4" x .474" x .050" (each)	50-7020	\$6.95
1/4" Flat washer, chrome, billet covers		
each	50-7017±	\$6.95
12 pack	50-7013±	\$12.95
13. Wire harness clip 38711-93		
each	31-2029	\$4.95
14. Cam bushing, gearcover		
1984-'99 BT 25581-70	31-4019	\$16.95
15. Pinion shaft bushing, gearcover		
1984-'99 BT 25582-93, 25582-73	31-4031	\$16.95
16. Gearcover oil seal 1984-'99 BT		
(each)	USA 31-4022	\$8.95
17. Screw, timing mechanism 32606-82		
each	31-0224	\$10.95
2 pack	31-0224P	\$14.95
18. Screw, standard panhead 8-32 x 3/8"		
each	50-0004	\$6.95
19. Clip, outer cover (each)	31-0233	\$9.95

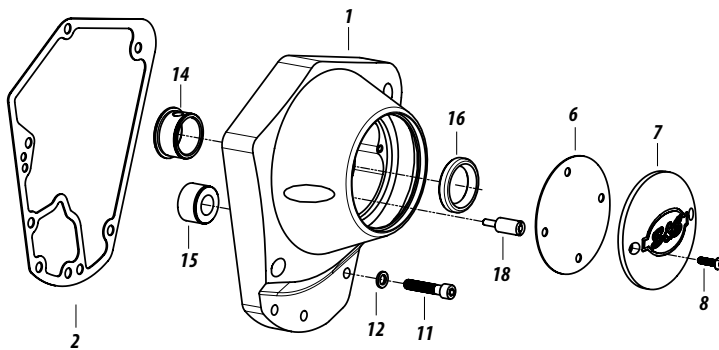
N/A = No longer available



CAST ALTERNATOR STYLE FLANGED
CHROME OR BILLET OUTER COVER



CAST ALTERNATOR STYLE FLANGELESS



BILLET ALUMINUM ALTERNATOR STYLES

All reference to HD® Part #s is for identification purposes only. We in no way are implying that any of S&S® Cycle's products are original equipment parts or that they are equivalent to the corresponding HD Part # shown.

± WARNING: Cancer and Reproductive Harm — www.P65Warnings.ca.gov

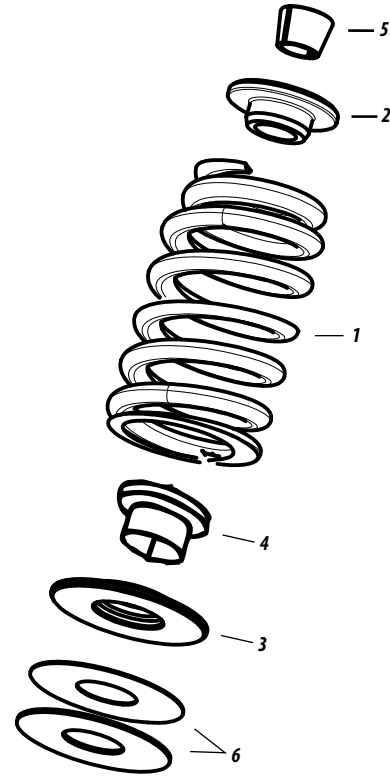


.650" Lift Sidewinder® Valve Springs
(Stock, Super Stock® and Performance Replacement Cylinder Heads)

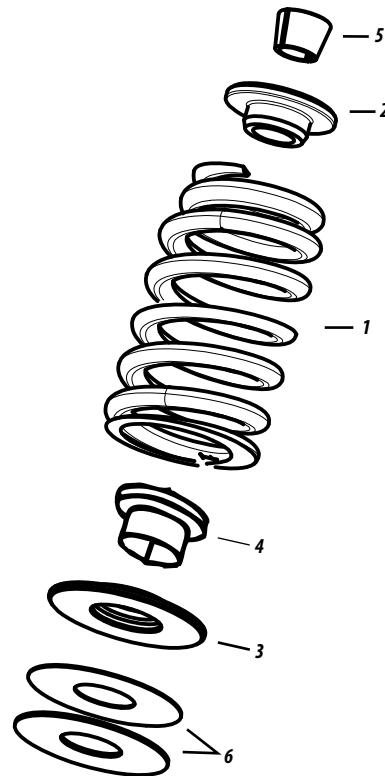
1. Spring, Valve .650"	106-5689	\$70.95
2. Collar, Top, Steel	106-5690	\$19.95
3. Collar, Bottom, Steel (each)	106-5691	\$14.95
4. Valve Seal		
.420" Cast (each)	900-0338	\$7.95
.562" Powder Metal (4 pack)	900-0737	\$14.95
5. Valve Keeper 18229-83 (each)	90-2094-5	\$8.95
8 pack	50-7166	\$27.95
6. Valve Spring Shim		
.015" (each)	500-0013	\$7.95
.030" (each)	500-0014	\$7.95

.585" Lift Street Performance Valve Springs
(Stock, Super Stock® and Performance Replacement Cylinder Heads)

1. Spring	900-0444	\$40.95
2. Collar, top, steel (each)	N/A	
3. Collar, bottom, steel	N/A	
4. Valve Seal		
.420" Cast (each)	900-0338	\$7.95
.562" Powder Metal (4 pack)	900-0737	\$14.95
5. Valve Keeper 18229-83 (each)	90-2094-5	\$8.95
8 pack	50-7166	\$27.95
6. Valve spring shim		
.015" (each)	90-2086	\$6.95
5 pack	50-7161	\$10.95
.030" (each)	90-2087	\$7.95
5 pack	90-2198	\$12.95



.650" Lift Sidewinder® Valve Springs



.585" Lift Street Performance Valve Springs

All reference to HD® Part #s is for identification purposes only. We in no way are implying that any of S&S® Cycle's products are original equipment parts or that they are equivalent to the corresponding HD Part # shown.

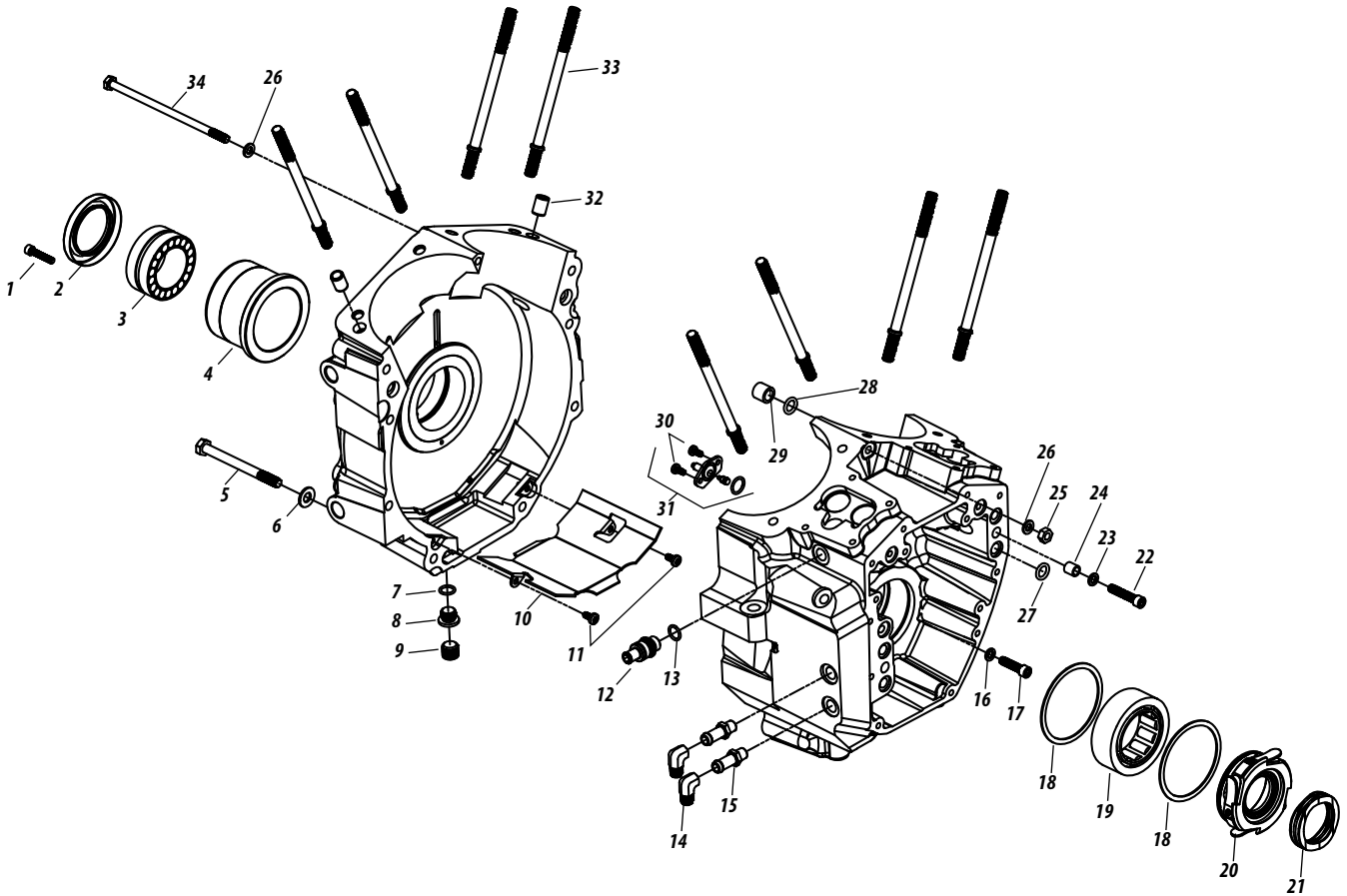


Order 608-627-1497

1. Screw, SHCS, 10-24 x 1", Alloy Steel 2720	50-0044	\$6.95	19. Bearing, Right, Main, S&S Crankcases 1999-'06 bt, 2000-up Bal bt, 2003-up NB bt		
2. Seal, Left, Main Bearing, 1.750" x 2.507" x .3130", 1970-up bt			24604-00D	31-4085	\$97.95
12026B	31-4010	\$73.95	20. Valve, Assembly, Breather Reed, 2003-2010 bt	310-0742	\$152.95
3. Bearing, Assembly, Left, Main 9028	31-4013	\$102.95	21. Wave Spring, 2"OD X 1.6"ID X .375"	N/A	-
4. Insert, Left, Main Bearing.	N/A		22. Screw, SHCS, ¼-20 x 1¼", Zinc 4740A, 3482A.	50-0008	\$6.95
5. Screw, HHC, Gr8, 5/16-18 x 3½", Zinc, Steel 3427.	50-0117	\$6.95	23. Washer, Flat, .260" x .425" x .060", Chrome, Steel	50-7017±	\$6.95
6. Washer, Flat, .344" x .688" x .065", Zinc, Steel			24. Pin, Dowel, .275" x .397", Steel (4 pack)	500-0218	\$9.95
6320, 70907-07, 6016, 6702.	50-7034	\$4.95	25. Nut, HH, ¼-28 UNC-2B x .226", Zinc, Steel 7683	50-5011	\$4.95
7. O-ring, (-013), .437" ID x .565" OD, Viton® 11105, 11273.	50-8008	\$6.95	26. Washer, .261" x .474" x .050", Annealed, Stainless Steel 50-7020		\$6.95
8. Plug, Drain, w/O-ring, Magnetic, ½-20, Zinc, Steel	50-8335	\$17.95	27. O-ring, (-110), .375" ID x .562" OD, Viton® 11301		
9. Plug, Pipe, ¾ Taper, ¼-18 NPTF x .460", Zinc, Steel			765.	50-8066-S	\$4.95
	50-8330	\$6.95	28. O-ring, (-015), .562" ID x .068" OD, Black, Viton® 26432-76A		
10. Plate, Baffle, Crankcase, 1999-up bt.	31-0119-S	\$19.95	each	50-8034-S	\$9.95
11. Screw, PH, 10-24 x ¾", Zinc, Steel, ASTM-A307	50-0050	\$6.95	2 pack.	50-8034	\$14.95
12. Fitting, Vent, ¾", Plated, 1999-2006 bt	50-0454	\$19.95	29. Pin, Dowel, .557" x .500", Black, Steel 16574-99A, 16573-83, 16573-83A		
13. O-ring, (-013), .437" ID x .565" OD, Viton® 11105, 11273	50-8008	\$6.95	50-8023	\$7.95
14. Fitting, Pipe, 90°, Male/Female, ½-27 NPTF x .500", Zinc Plated, Steel			30. Screw, Torx Panhead, 8-32 x ¾", Zinc, Steel 68042-99.	50-0054-S	\$4.95
26338-68, 26561-84A, 26561-81A, 26338-68A.	106-2682	\$14.95	31. Jet, Kit, Piston Cooling, 4¼" 1984-'99 bt, 1999-up bt, (2 pack)		
15. Fitting, Hose, Straight, ½-27 NPTF x .500", Zinc, Steel	50-8115	\$9.95	22307-99	31-2026	\$71.95
16. Washer, Flat, .260" x .425" x .060", Chrome, Steel	50-7017±	\$6.95	32. Pin, Dowel, .437" x .610", Steel 16595-99A	50-8177	\$8.95
17. Screw, SHCS, ¼-20 x 1", Zinc, ASTM A574-92A 852	50-0084	\$6.95	33. Stud, Cylinder Base, ¾-16 UNC x 6.070", Black, Steel		
18. Retaining Ring, Internal, 2.731" x .031" x .158", Steel, SAE 1070-1090			31-2325-S	\$12.95
35114-02	50-8160-S	\$7.95	34. Screw, HHC, Gr8, ¼-28 x 5½", Zinc, Steel	50-0090	\$7.95

All reference to HD® Part #s is for identification purposes only. We in no way are implying that any of S&S® Cycle's products are original equipment parts or that they are equivalent to the corresponding HD Part # shown.

± WARNING: Cancer and Reproductive Harm - www.P65Warnings.ca.gov





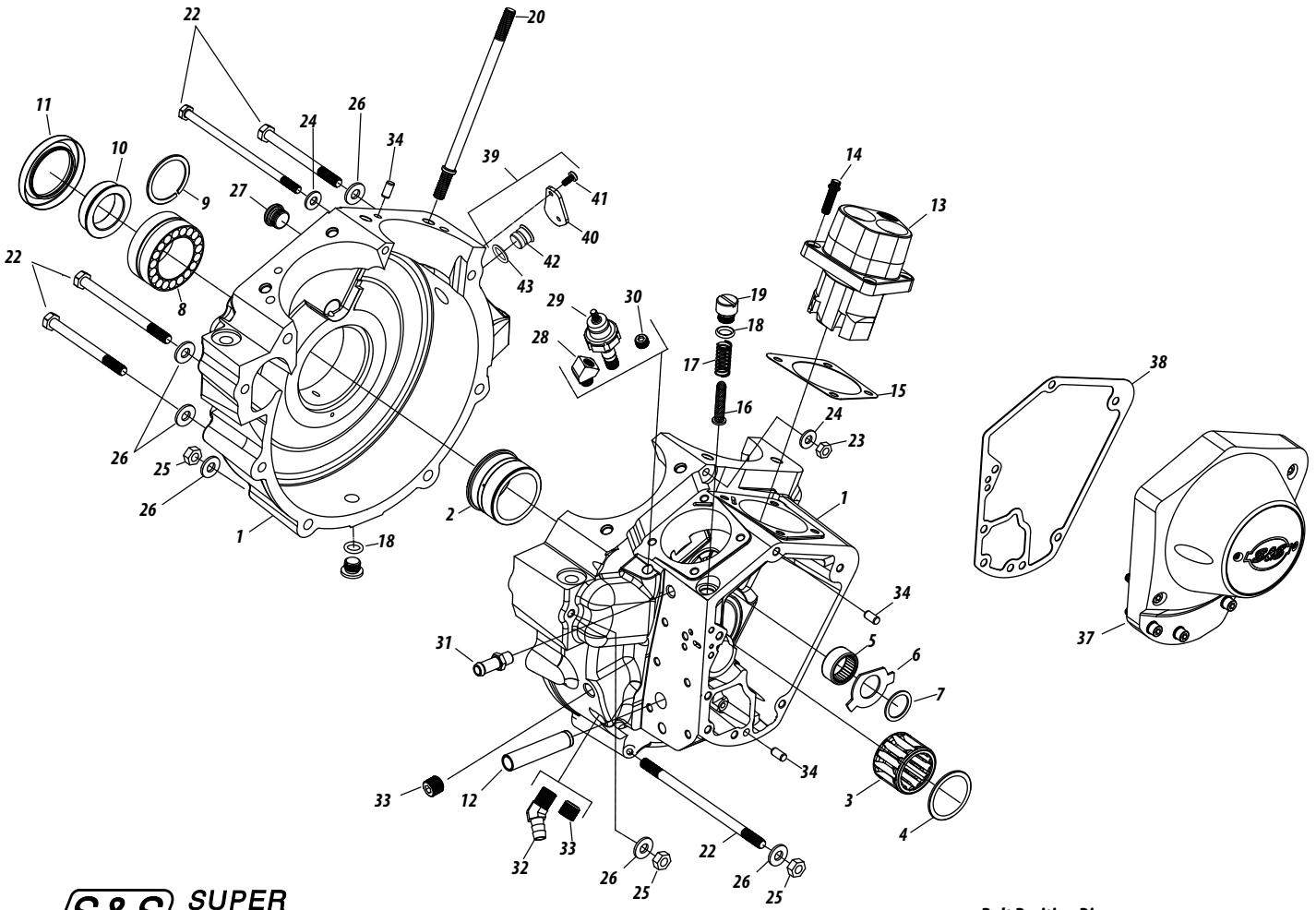
Order 608-627-1497

1. Crankcase assembly, half	N/A				
2. Race, right main bearing, All S&S BT					
Standard (24599-93, 24599-58A, 24599-58B)	31-4004	\$97.95			
3. Right main bearing assembly BT					
Red 24641-87A	31-4017	\$61.95			
Blue 24643-87A	31-4018	\$50.95			
4. Retaining ring, main bearing BT					
11177A(each)	50-8057	\$4.95			
5 pack	50-1004	\$14.95			
5. Cam needle bearing assembly BT					
9058	31-4009	\$17.95			
6. Washer, cam lock – BT					
25550-57A) (each)	33-5201	\$15.95			
5 pack	33-5213	\$62.95			
7. Cam thrust washer – BT					
.050" 25550-36(each)	33-5200	\$12.95			
.055" 25551-36(each)	33-5202	\$12.95			
.060" 25552-36(each)	33-5203	\$12.95			
.065" 25553-36 (each)	33-5204	\$12.95			
.070" 25554-36(each)	33-5205	\$12.95			
.075" (each)	33-5206	\$26.95			
.080" (each)	33-5207	\$20.95			
8. Left Timken® main bearing assembly 1984-'99					
S&S BT cases 9028	31-4013	\$102.95			
9. Timken Main Bearing Spacers, 1984-'99 BT					
.0995" - .1005" 9124	31-4071	\$17.95			
.1015" - .1025" 9125	31-4072	\$17.95			
.1035" - .1045" 9126	31-4073	\$53.95			
.1055" - .1065" 9127	31-4074	\$17.95			
.1075" - .1085" 9128	31-4075	\$17.95			
.1195" - .1205" 9134	31-4076	\$13.95			
10. Spacer, drive sprocket, 1984-'99 S&S BT cases					
Standard 24002-70	31-4011	\$40.95			
11. Seal, sprocket shaft oil 1936-'99 S&S BT cases					
12026B (each)	31-4010	\$13.95			
5 pack	31-4110	\$61.95			
12. Bushing, oil pump shaft - 24641-36	31-4008	\$40.95			
13. Tappet guide – Shown for reference only (not included)					
14. Screw, 12 pt. DHH 1/4" - 20 x 7/8" 3770					
Each	50-0068	\$6.95			
5-pack	50-0068P	\$9.95			
15. Gasket, tappet guide – 1948-'99 BT					
Front 18634-48C (each)	33-5302F	\$9.95			
10 pack front	33-5313F	\$27.95			
Rear 18633-48B, 18633-48D (each)	33-5302R	\$9.95			
10 pack rear	33-5313R	\$31.95			
Set (each front & rear)	33-5302	\$10.95			
10 pack set	33-5313	\$61.95			
16. Crankcase oil screen - 1948-'99 BT 24981-70, 24981-66					
(each)	31-2010	\$8.95			
5 pack	31-7008	\$30.95			
17. Crankcase oil screen spring - 1948-'99 BT					
24982-66, 24982-70 (each)	31-2011-S	\$7.95			
18. O-ring, drain plug and cover screw					
11105, 11273(each)	50-8008	\$6.95			
10 pack	50-8078	\$14.95			
19. Cover screw - 1948-'99 S&S BT 26263-80, 26362-36					
each	31-6021	\$10.95			
5 pack	31-7005	\$28.95			
20. Cylinder stud					
1984-up BT 16837-85C (each)	31-2321-S	\$10.95			
8 pack	31-2321	\$50.95			
22. Crankcase studs and screws					
(Position 1, 2, 3, & 4) Alignment Stud,					
5/16" - 24 x 5 3/4" 24806-36, 3506.	31-2003	\$21.95			
(Position 5 & 6) Screw, HHCS, 5/16" - 18 x 3 1/2"	50-0117	\$6.95			
(Position 7) Screw HHCS, 5/16" - 24 x 5"					
Zinc 3430	50-0119	\$7.95			
Chrome (each)	50-0253-S±	\$11.95			
(Position 8) Screw HHCS, 1/4" - 28 x 5 1/2" (each)					
Zinc	50-0090	\$7.95			
Chrome (each)	50-0252-S±	\$11.95			
23. Nut, Hex - 1/4" - 28 7683	50-5011	\$4.95			
24. Washer, flat - 1/4" x 5/8" x 1/16" (each)					
Zinc (6194, 6245, 6703, 6736, 6228W, 6192)	50-7021	\$6.95			
Chrome	50-7104-S±	\$6.95			
25. Nut, hex - 5/16" - 24 (each)					
Zinc 7833, 7883	50-5023	\$4.95			
26. Washer, flat - 5/16" x 1 1/16" x 1/16"					
6320, 70907-07, 6016, 6702	50-7034	\$4.95			
27. Plug, timing hole 720	31-2005	\$10.95			
28. Fitting, 45° 1/8" x 1/8" pipe male/female	50-8112	\$10.95			
29. Oil pressure switch 26561-84					
(Includes: switch, nut, lock washer.)	31-2016	\$27.95			
30. Plug, SH pipe - 1/8" - 27 (each)	50-8331A	\$7.95			
10 pack	50-1015	\$15.95			
31. Fitting, hose - 1/8" - 27 pipe male	50-8115	\$9.95			
32. Fitting, 45° hose - 1/4" pipe male x 3/8" male hose	50-8113	\$15.95			
33. Plug, SH pipe, 1/4" - 18, 1965-'69 S&S BT 765					
each	50-8330	\$6.95			
34. Dowel pin, .250" diameter x 1/2" 358, 366					
(each)	50-8022	\$8.95			
2 pack	50-8022-2	\$13.95			
5 pack	50-8105	\$13.95			
35. Screw, SHC - 10-24 x 1" (Stator) (N/S) 2720					
each	50-0044	\$6.95			
36. Screw, SHS - 10-24 x 5/16" - (Stator plug clamp) (N/S)					
each	50-0045	\$6.95			
37. Gearcover – Shown for reference only (not included)					
38. Gearcover gasket 1970-up S&S BT					
25225-93A, 25225-93B, 25225-70C, 25257-80.	31-2107	\$9.95			
39. Crank position sensor hole plug kit	106-2997	\$26.95			
40. Cover, crank position sensor hole	31-2056-S	\$7.95			
41. Screw, Torx, 8-32 x 3/8"	50-0054-S	\$4.95			
42. Crank posititon sensor hole plug.	106-1189	\$15.95			
43. O-ring (each)	50-8270	\$6.95			
5 pack	50-8275	\$9.95			

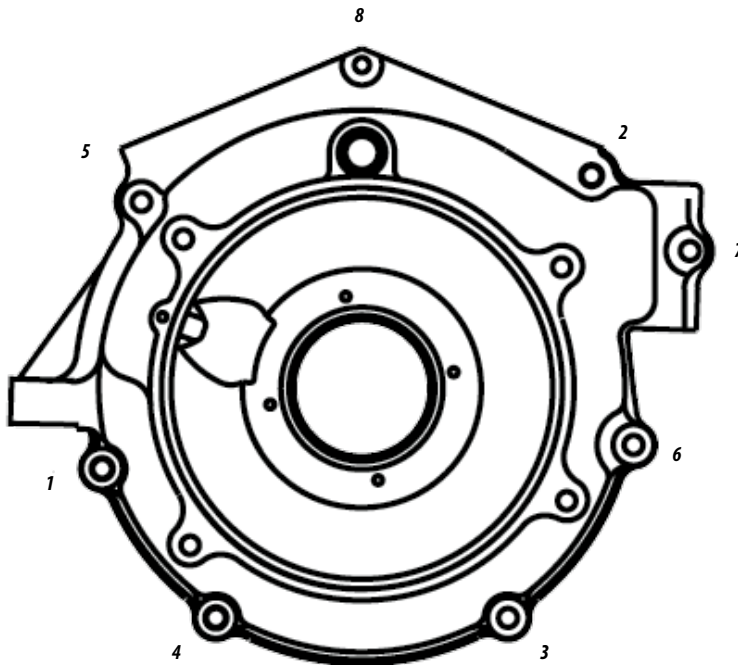
(N/S) = Not Shown

All reference to HD® Part #s is for identification purposes only. We in no way are implying that any of S&S® Cycle's products are original equipment parts or that they are equivalent to the corresponding HD Part # shown.

± WARNING: Cancer and Reproductive Harm – www.P65Warnings.ca.gov



Bolt Position Diagram



All reference to HD® Part #s is for identification purposes only. We in no way are implying that any of S&S® Cycle's products are original equipment parts or that they are equivalent to the corresponding HD Part # shown.



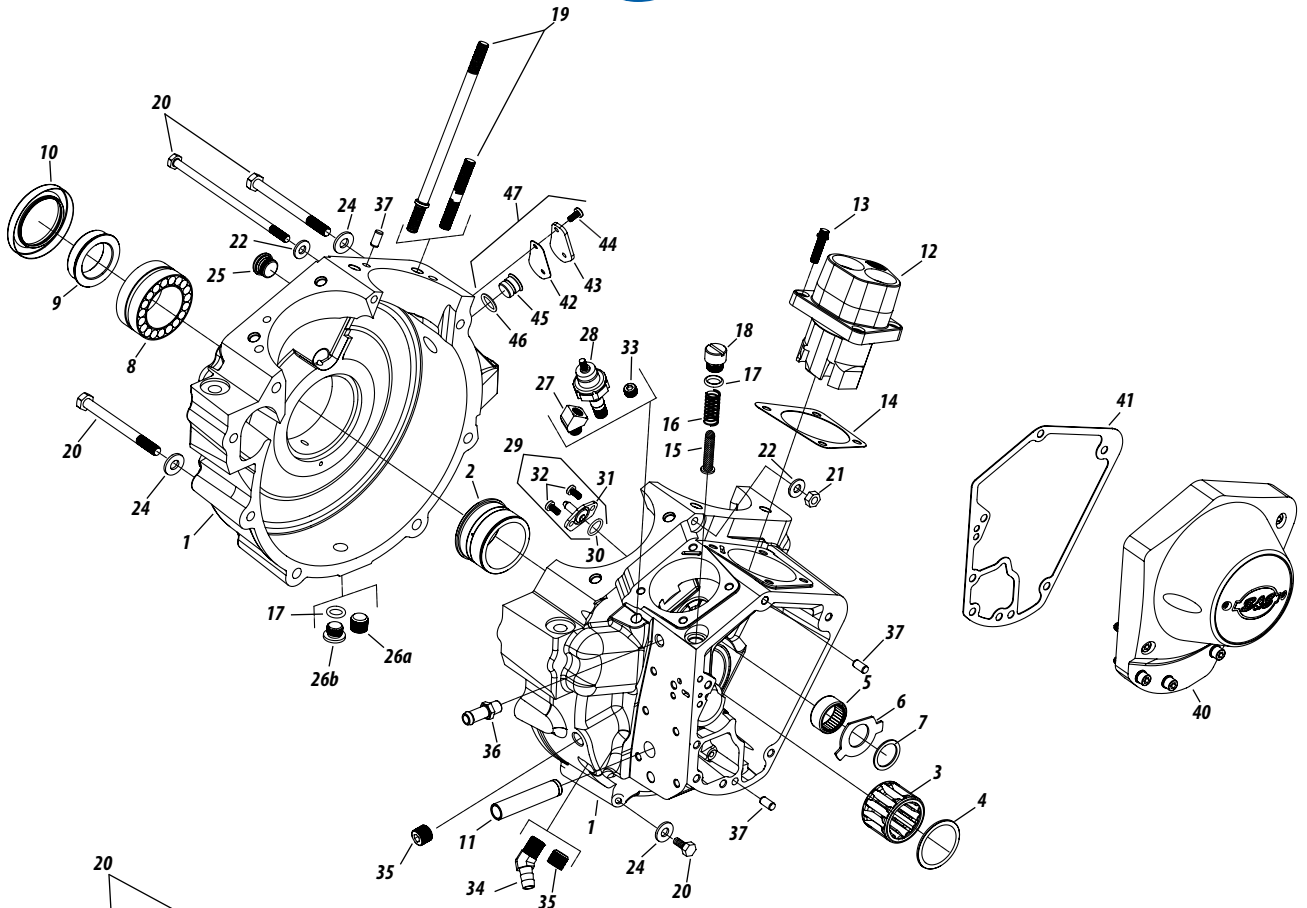
For Big Twin Engines With 4", 4 1/8" And 4 3/8" Cylinder Bore

Order 608-627-1497

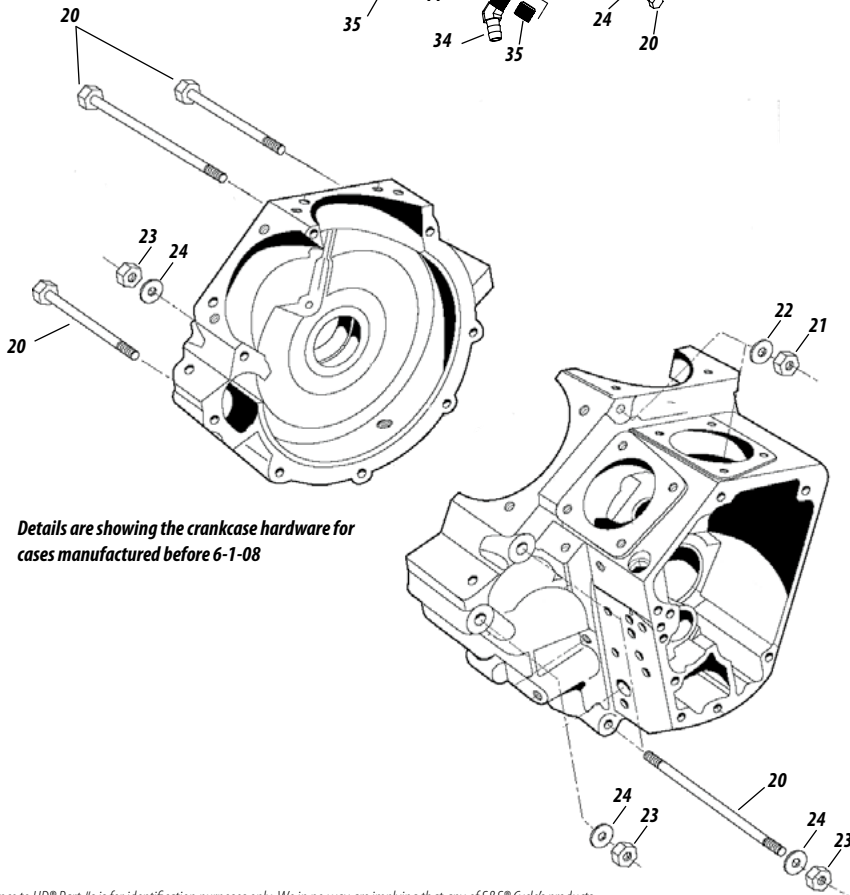
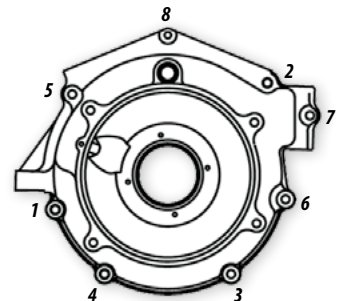
1. Crankcase assembly, half N/A
2. Race, right main bearing, for 1936-'99 big twin
Standard #24599-93, 24599-58A, 24599-58B) 1,2,3 31-4004 \$91.95
3. Right main bearing assembly BT
Red 24641-87A 31-4017 \$61.95
Blue 24643-87A 31-4018 \$50.95
4. Retaining ring, main bearing BT 11177A
each 50-8057 \$4.95
5 pack 50-1004 \$14.95
5. Cam needle bearing assembly BT 9058 1,2,3 31-4009 \$17.95
6. Washer, cam lock - 1984-'99 BT (HD® #25550-57A)
each 33-5201 \$15.95
5 pack 33-5213 \$62.95
7. Cam thrust washer - 1984-'99 BT
.050" 25550-36 (each) 33-5200 \$12.95
.055" 25551-36 (each) 33-5202 \$12.95
.060" 25552-36 (each) 33-5203 \$12.95
.065" 25553-36 (each) 33-5204 \$12.95
.070" 25554-36 (each) 33-5205 \$12.95
.075" 25555-36 (each) 33-5206 \$26.95
.080" 25556-36 (each) 33-5207 \$20.95
8. Left Timken® main bearing assembly
1984-'99 S&S BT cases 9028 31-4013 \$102.95
9. Spacer, drive sprocket
1984-'99 S&S BT cases 24002-70 31-4011 \$40.95
10. Seal, sprocket shaft oil 1936-'99 S&S BT cases
12026B (each) 31-4010 \$13.95
5 pack 31-4110 \$61.95
11. Bushing, oil pump shaft - All S&S BT cases
Standard 24641-36 1,2,3 31-4008 \$40.95
12. Tappet guide assembly (See PAGE 41)
13. Screw, 12 pt. DHH 1/4" -20 x 7/8" 3770 50-0068 \$6.95
4 pack 50-0068P \$9.95
14. Gasket, tappet guide - 1984-'99 BT
Front 18634-48C (each) 33-5302F \$9.95
10 pack front 33-5313F \$27.95
Rear 18633-48B, 18633-48D (each) 33-5302R \$9.95
10 pack rear 33-5313R \$31.95
Set (each front & rear) 18633-48 33-5302 \$10.95
10 pack set 33-5313 \$61.95
15. Crankcase oil screen - 1984-'99 BT
24981-70, 24981-66 (each) 31-2010 \$8.95
5 pack 31-7008 \$30.95
16. Crankcase oil screen spring - 1984-'99 big twin
24982-66, 24982-70 (each) 31-2011-S \$7.95
17. Cover screw o-ring - 1984-up S&S BT 11105, 11273
each 50-8008 \$6.95
10 pack 50-8078 \$14.95
18. Cover screw - 1984-'99 S&S BT 26263-80, 26362-36
each 31-6021 \$10.95
5 pack 31-7005 \$28.95
19. Cylinder stud
1984-up BT with +.500" cases 16832-86C
each 31-2331-S \$11.95
8 pack 31-2331 \$61.95
20. Crankcase Hardware
Special Application Crankcases (For Engines With 4" Cylinder Bore or Greater)
4" and 4 1/8" Bore Cases Manufactured Before 6 -1-08
(Positions 1 - 4)
Alignment Stud, 5/16" -24 x 6 1/16" 24809-30 31-2034 \$23.95

- (Positions 5 & 6)
Screw, HHCS, 5/16" -18 x 3 1/2" 3427 50-0117 \$6.95
Screw, HHCS, 5/16" -18 x 3 1/2" chrome (each) 50-0254-S± \$10.95
- (Position 7)
Screw HHCS, 5/16" -24 x 5"
Zinc 3430 50-0119 \$7.95
Chrome (each) 50-0253-S± \$11.95
- (Position 8)
Screw HHCS, 1/4" -28 x 5 1/2" (each) 50-0090 \$7.95
Screw HHCS, 1/4" -28 x 5 1/2" Chrome (each) 50-0252-S± \$11.95
- 4" and 4 1/8" Bore Cases Manufactured After 6-1-08
(Positions 1- 7)
1936-'69 S&S BT cases & S&S BT SA cases
Screw, HHCS, 5/16" -18 x 3 1/2" zinc 3427 50-0117 \$6.95
Screw, HHCS, 5/16" -18 x 3 1/2", chrome (each) 50-0254-S± \$10.95
- (Position 8)
Screw HHCS, 1/4" -28 x 5 1/2" zinc (each) 50-0090 \$7.95
Screw HHCS, 1/4" -28 x 5 1/2" Chrome (each) 50-0252-S± \$11.95
- 4 3/8" Bore Cases Manufactured Before 6-1-08
(Positions 1 - 4) Alignment Stud
Alignment Stud, 5/16" -24 x 6 1/16" 24809-30 31-2034 \$23.95
- (Positions 5 & 6)
Screw, HHCS, 5/16" -18 x 3 1/2 3427 50-0117 \$6.95
- (Position 7)
Screw HHCS, 5/16" -24 x 5"
Zinc 3430 50-0119 \$7.95
Chrome (each) 50-0253-S± \$11.95
- (Position 8) All S&S BT cases Special Application
Screw, HHCS, 1/4" -28 x 6", zinc (each) 50-0020 \$13.95
- 4 3/8" Bore Cases Manufactured After 6-1-08
(Positions 1- 7) 1936-'69 S&S BT cases & S&S BT SA cases
Screw, HHCS, 5/16" -18 x 3 1/2", zinc 3427 50-0117 \$6.95
Screw, HHCS, 5/16" -18 x 3 1/2", chrome (each) 50-0254-S± \$10.95
Screw, HHC, 5/16-18 x 5/8", Zinc, Steel 50-0106 \$6.95
- (Position 8) All S&S BT cases Special Application
Screw, HHCS, 1/4" -28 x 6", zinc (each) 50-0020 \$13.95
21. Nut, Hex - 1/4" -28 7683 50-5011 \$4.95
22. Washer, .261" x .474" x .050"
Zinc (each) 50-7020 \$6.95
Chrome (each) 50-7105-S± \$7.95
23. Nut, hex - 5/16" -24
Zinc 7833, 7883 50-5023 \$4.95
(for Special Application Cases Manufactured Before 6-1-08)
24. Washer, flat - 5/16" x 1 1/16" x 1/16" 6320, 70907-07, 6016, 6702 50-7034 \$4.95
25. Plug, timing hole 720 1,2,3 31-2005 \$10.95
26. Drain plug - Manufactured before 5-1-2000
3/8" -18 NPT 31-2006 \$22.95
Manufactured after 5-1-2000
1/2" -20 50-8335 \$17.95
1/2" -20 50-8112 \$10.95
27. Fitting, 1/8" x 1/8" pipe male/female 50-8112 \$10.95
28. Oil pressure switch 26561-84
(Includes: 1 each switch, nut, lock washer.) 1,2,3 31-2016 \$27.95
29. Piston Oiler Jet Kit 22307-99 includes #30 (1), #31 (1), #32 (2)
2 pack 31-2026 \$71.95
30. O-ring, (-014), .500" ID x .625" OD
each 50-8270 \$6.95
10 pack 50-8130 \$10.95
31. Jet, Assembly, Piston Cooling 22371-99, 22307-99 (each) 31-2025B \$40.95
32. Screw, Torx Panhead, 8-32 x 3/8", Zinc, Steel 68042-99
each 50-0054-S \$4.95
33. Plug, SH pipe - 1/8" -27 45830-48 (each) 50-8331A \$7.95
10 pack 50-1015 \$15.95

CONTINUED ON NEXT PAGE



BOLT POSITION DIAGRAM



Details are showing the crankcase hardware for cases manufactured before 6-1-08

All reference to HD® Part #s is for identification purposes only. We in no way are implying that any of S&S® Cycle's products are original equipment parts or that they are equivalent to the corresponding HD Part # shown.

⚠️ WARNING: Cancer and Reproductive Harm — www.P65Warnings.ca.gov



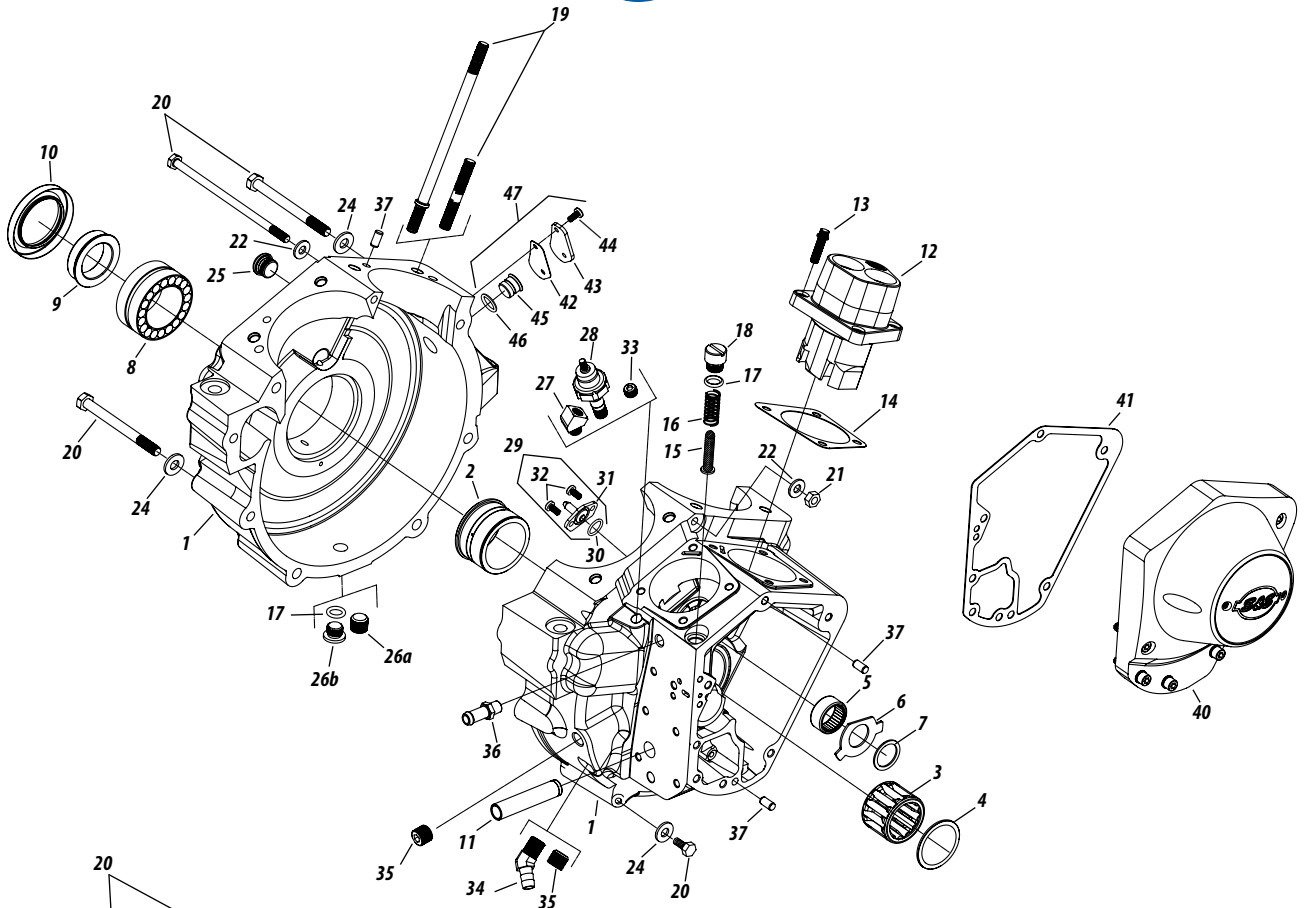
For Big Twin Engines With 4", 4 1/8" And 4 3/8" Cylinder Bore

Order 608-627-1497

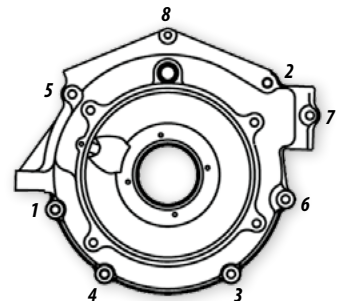
- 34. Fitting, 45° hose – 1/4" pipe male x 3/8" male hose 1,2 50-8113 \$15.95
- 35. Plug, SH pipe, 1/4"-18, 1965-'69 S&S BT 765 1,2,3 50-8330 \$6.95
- 36. Fitting, hose - 1/8"-27 pipe male 1,2,3 50-8115 \$9.95
- 37. Dowel pin, .250" diameter x 1/2" (1970-up S&S BT) 358, 366
 - each 50-8022 \$8.95
 - 2 pack 50-8022-2 \$13.95
 - 5 pack 50-8105 \$13.95
- 38. Screw, SHC - 10-24 x 1" (Stator) (N/S) 2720 50-0044 \$6.95
- 39. Screw, SHS - 10-24 x 5/16" - (Stator plug clamp) (N/S)
 - each 50-0045 \$6.95
- 40. Gearcover (See PAGE 33)
- 41. Gearcover gasket 1970-up S&S BT
 - 25225-93A, 25225-93B, 25225-70C, 25257-80 31-2107 \$9.95
- 42. Gasket, crank position sensor hole (obsolete) N/A
- 43. Cover, crank position sensor hole 31-2056-S \$7.95
- 44. Screw, Torx, 8-32 x 3/8" 68042-99 (each) 50-0054-S \$4.95
- 45. Crank position sensor hole plug 106-1189 \$15.95
- 46. O-ring (each) 50-8270 \$6.95
 - 5 pack 50-8275 \$9.95
- 47. Crank position sensor hole plug kit 106-2997 \$26.95

(N/S) = Not Shown
 N/A = No longer available

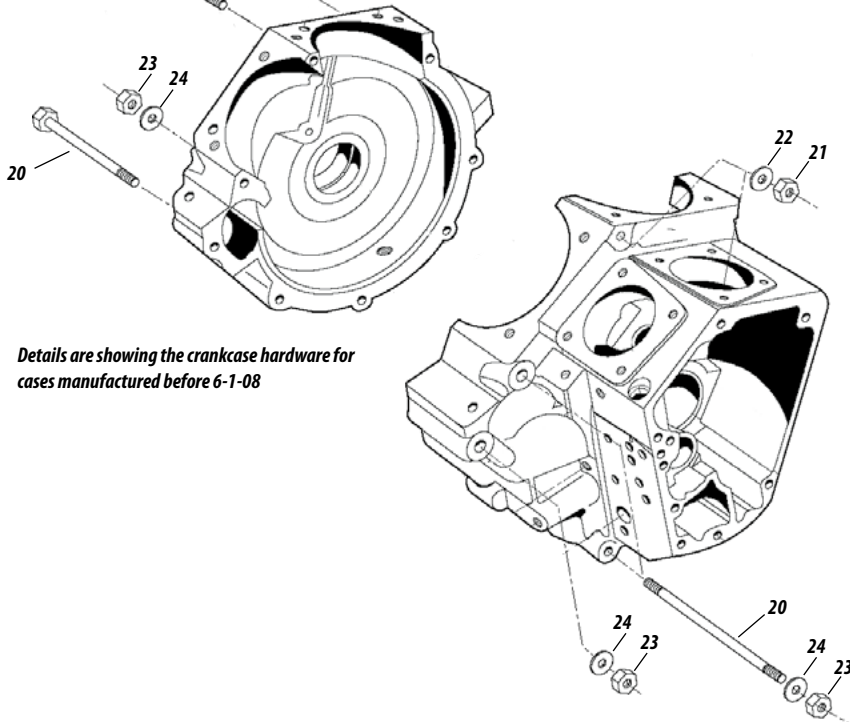
± WARNING: Cancer and Reproductive Harm – www.P65Warnings.ca.gov



BOLT POSITION DIAGRAM



Details are showing the crankcase hardware for cases manufactured before 6-1-08

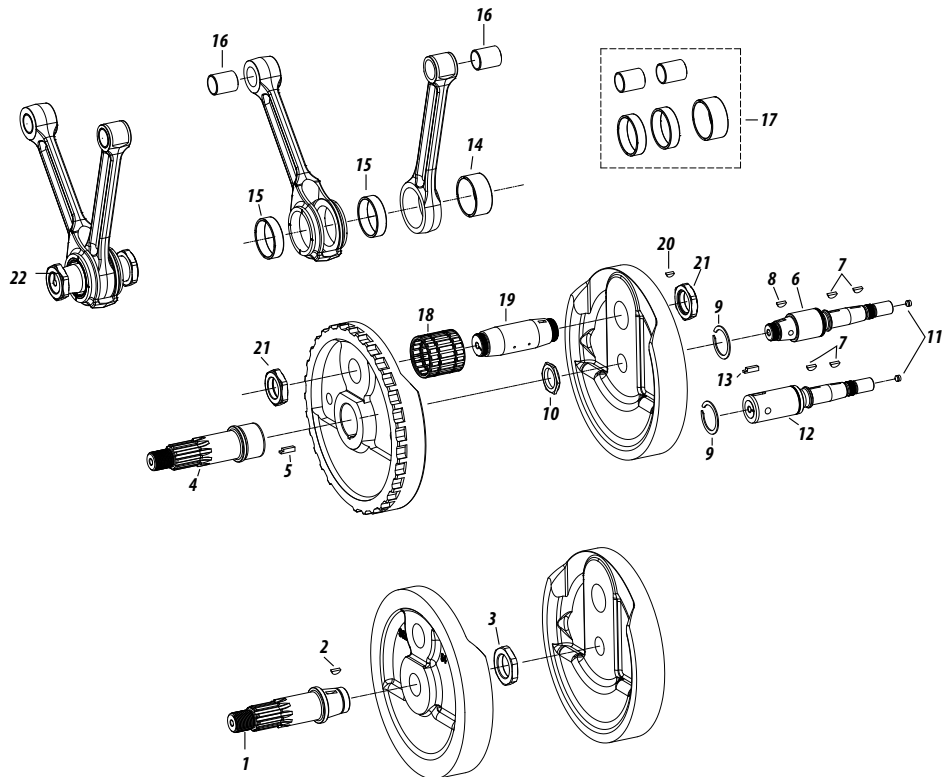


For V96, V107 And V113

Order 608-627-1497

- | | | |
|---|---------------------|------------------|
| 1. Sprocket Shaft, 1984-1999 w/S&S SE/SL flywheels (includes #2 & 3) | 33-2004 | \$163.95 |
| 2. Key (each) | 50-8225-S | \$6.95 |
| 3. Sprocket Shaft Nut | 33-2033 | \$22.95 |
| 4. Sprocket Shaft, 1984-'99 w/S&S SGX/SF/SM flywheels (includes #5) | 320-0122 | Call for Pricing |
| 5. Key (each) | 50-8227 | \$8.95 |
| 6. Pinion Shaft (includes #7, 8, 9, 10, 11)
1984-1986 Stock Flywheels, L1981-99 S&S BL/SL/SM flywheels
Stock or S&S® Super Stock® Cases
Standard | USA 33-2027 | \$183.95 |
| 1984-1999 S&S BL/SL/SM flywheels S&S SA cases +.250" | | |
| Standard | 33-2040 | \$183.95 |
| 7. Key, pinion & oil pump (each) | 50-8221-S | \$6.95 |
| 5 pack | 50-1008 | \$10.95 |
| 8. Pinion Shaft Key 11218 (each) | 50-8222-S | \$6.95 |
| 5 pack | 50-1009 | \$13.95 |
| 9. Bearing Retaining Ring 11177A (each) | 50-8057 | \$4.95 |
| 5 pack | 50-1004 | \$14.95 |
| 10. Pinion Shaft Nut | USA USA 33-2034 | \$21.95 |
| 11. Meter Plug
.0625" hole | USA USA 50-8316± | \$10.95 |
| .0925" hole | USA USA 50-8317± | \$8.95 |
| 12. Pinion Shaft (+.250" longer) (includes #7, 9, 13)
1984-1999 S&S SG flywheels/SA crankcases | | N/A - |
| 13. Pinion Shaft Key | 50-8234 | \$20.95 |
| 14. Front Rod Bushing, 1941-1999 all S&S flywheels | USA USA 1,2 34-4005 | \$27.95 |
| 15. Rear Rod Bushing 24345-36A (each) | USA USA 1,2 34-4006 | \$22.95 |
| 16. Wristpin Bushing 24334-36 | USA USA 1,2 34-4007 | \$11.95 |
| 17. Race and Bushing Set (includes #14, 15, 16) | USA 34-4040 | \$83.95 |
| 18. Cage and Bearing Set (std.) 24346-87A, 24385-40B | USA 34-4010 | \$102.95 |
| 19. Crankpin (includes #20, 21), late 1981-1999 all S&S flywheels
Standard 23961-80A | 34-2102 | \$163.95 |
| .001" OS 23974-87 | 34-2103 | \$163.95 |
| .002" OS 23975-87 | 34-2105 | \$163.95 |
| .003" OS | 34-2106 | \$163.95 |
| 20. Crankpin Key, late 1981-1999 all S&S flywheels 11218
each | 50-8222-S | \$6.95 |
| 5 pack | 50-1009 | \$13.95 |
| 21. Crankpin Nut, late 1981-1999 all S&S flywheels
23967-54A, 23969-83, 23901-81, 23981-98 | USA USA 1,2 34-2104 | \$14.95 |
| 22. Connecting Rod Assembly, 1984-'99 all big twins
(includes #14, 15, 16, 18, 19, 20, 21)
Heavy Duty 24281-80, 24281-83 | 34-7013 | \$560.95 |

All reference to HD® Part #s is for identification purposes only. We in no way are implying that any of S&S® Cycle's products are original equipment parts or that they are equivalent to the corresponding HD Part # shown.



± ⚠️ WARNING: Cancer and Reproductive Harm — www.P65Warnings.ca.gov

NOTES: S&S rods with their beefier than stock construction are slightly heavier than stock connecting rods. Therefore, rebalancing the flywheels is recommended when S&S rods are used in stock replacement applications. We realize that rebalancing is an inconvenience, but we did not want to sacrifice rod strength. In addition, given the variations in stock and aftermarket components available to engine builders, flywheel rebalancing is a desirable step in any major engine overhaul.

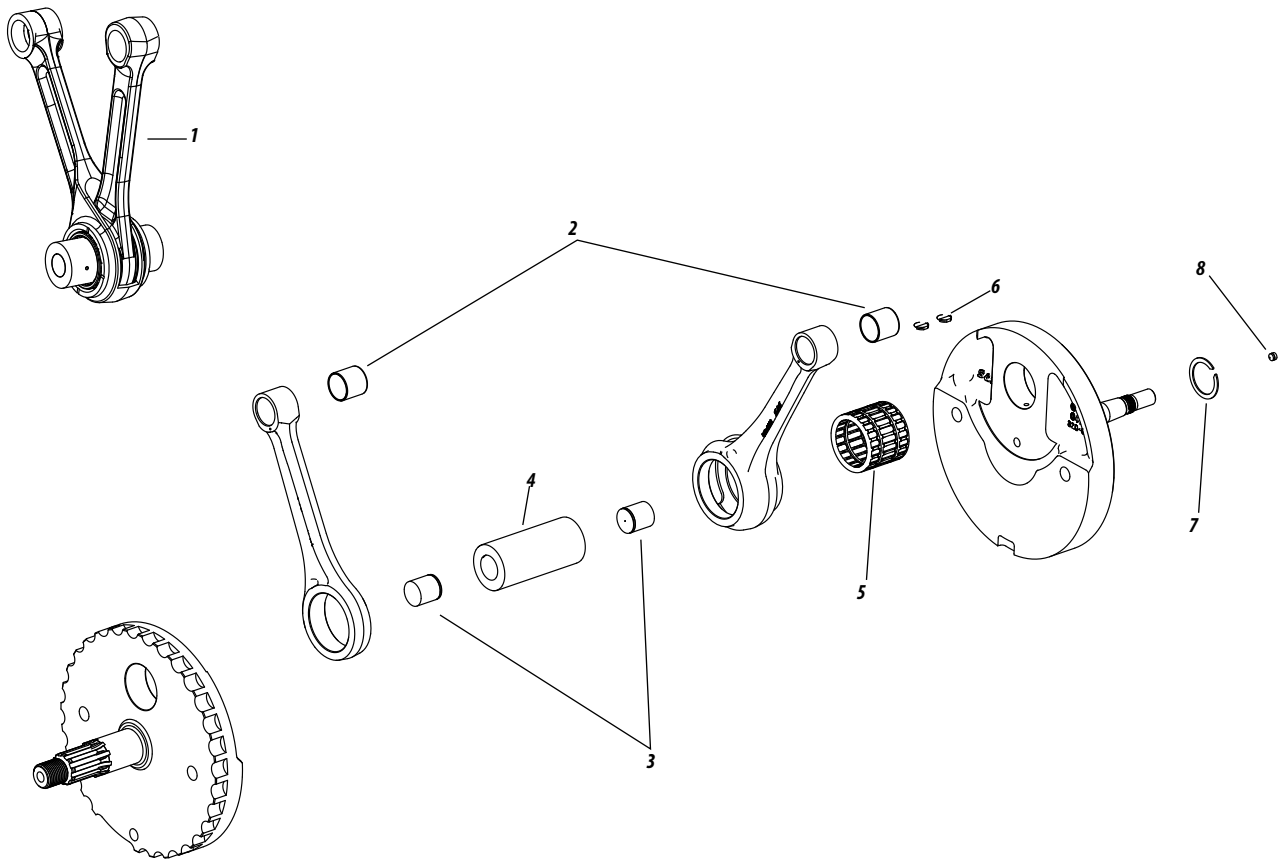
We recommend and sell only the pre-1990 big twin shaft. Since the S&S pinion shafts are of the earlier design, they will not accept the late style stock pinion gear, oil pump drive gear, gear spacer and pinion gear nut—to make it easier to install S&S flywheels.

1989-'99 big twin engines: S&S offers a conversion package consisting of earlier style pinion gear, spacer, nut, and oil pump drive gear to fit the S&S pinion shaft. S&S offers pinion and oil pump drive gears to fit the S&S pinion shaft for Harley-Davidson® Sportster® models.

Crankpins must be measured prior to final honing of bearing races to ensure proper clearance. (Inquire about S&S flywheel rebuild program if adequate measurement equipment is not available.) Dimensions shown are nominal.

1. Connecting Rod Set
(includes a crank pin (#4) and plugs (qty 2 of #3))... 340-0060 \$622.95
2. Bushing, Wristpin, .928", Bronze..... 340-0024 \$11.95
3. Plug, Drive, Crankpin, Steel, 2 Pack..... 500-0187 \$31.95
4. Crankpin (includes plugs (qty 2 of #3))
STD 340-0069 \$152.95
+0.001 340-0070 \$205.95
+0.002 340-0071 \$169.95
5. Race/Bearing Set.....310-0752 \$163.95
6. Key, pinion & oil pump 11218 each.....50-8221-S \$6.95
5 pack50-1008 \$10.95
7. Bearing Retaining Ring 11177A 50-8057 \$4.95
5 pack50-1004 \$14.95
8. Meter Plug
.0625" hole 50-8316± \$10.95

NOTES: Due to different crankpin diameters, S&S® connecting rod assemblies cannot be used with stock Harley-Davidson® flywheels. S&S flywheels for S&S V111 and V124 engines are pressed together as opposed to using the traditional tapered shafts and crankpin. Assembly and truing requires special equipment.



± WARNING: Cancer and Reproductive Harm — www.P65Warnings.ca.gov

All reference to HD® Part #s is for identification purposes only. We in no way are implying that any of S&S® Cycle's products are original equipment parts or that they are equivalent to the corresponding HD Part # shown.



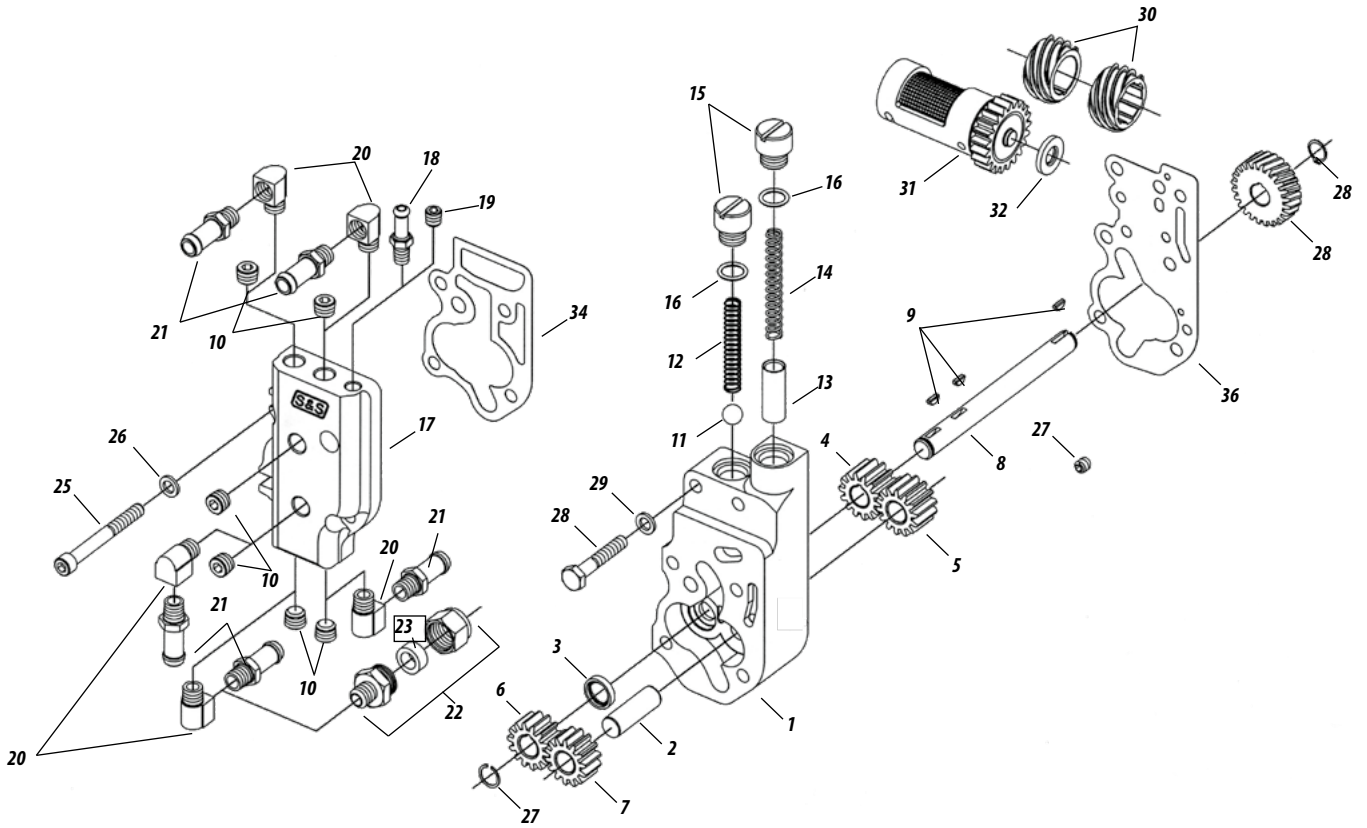
Order 608-627-1497

1. Pump body assembly			
Fits 1984-'91 31-6042	31-6050	\$193.95	
Fits 1992-'99 31-6043	31-6051	\$193.95	
2. Shaft, idler 26327-68	31-6004	\$15.95	
3. Seal, drive shaft 26227-58	31-6005	\$9.95	
4. Gear, return drive 26315-68A	31-6013	\$33.95	
5. Gear, return idler 26317-68A	31-6014	\$32.95	
6. Gear, supply drive 26328-74, 26320-36	31-6015	\$40.95	
7. Gear, supply idler 26326-62A	31-6016	\$40.95	
8. Shaft, drive 26346-70	31-6011	\$23.95	
9. Key, drive shaft 26347-15 (each)	50-8220-S	\$4.95	
10 pack	50-8229	\$14.95	
10. Plug, 1/8"-27 45830-48 (each)	50-8331A	\$7.95	
10 pack	50-1015	\$15.95	
11. Check ball valve 8866, 8873	50-8091	\$4.95	
12. Spring, check valve 26363-36, 26363-56, 26262-80 (each)	31-6022	\$6.95	
10 pack	31-6092	\$19.95	
13. Relief valve 26400-82, 26400-82B	31-6082	\$12.95	
14. Spring, relief valve 26207-83 (each)	31-6018	\$6.95	
10 pack	31-6084	\$19.95	
15. Screw, check valve & relief valve cover 26263-80, 26362-36			
each	31-6021	\$10.95	
5 pack	31-7005	\$28.95	
16. O-ring 11105, 11273 (each)	50-8008	\$6.95	
10 pack	50-8078	\$14.95	
17. Pump cover assembly			
Pre-1992 (Top or bottom fittings; accepts pressure gauge)			
31-6041	31-6059	\$112.95	
1992-'99 (Universal)	31-6061	\$122.95	
1992-'99 (Bottom fittings or central supply fitting)	31-6062	\$122.95	
18. Fitting, front chain hose	50-8116	\$9.95	
19. Plug, pipe 1/6"-27 x 1/4" pipe	50-8332	\$4.95	
20. Elbow, supply/return			
26338-68A, 26561-81A, 26561-84A, 26338-68	106-2682	\$14.95	
5 pack	50-1007	\$61.95	
21. Fitting, supply/return hose	50-8115	\$9.95	
22. Return fitting, compression 63523-92, 63523-62	50-8120	\$33.95	
23. Seal, tubing, 3/8" x 1/2" O.D. x 1/4"	50-8271	\$15.95	
24. Plug, 1/4"-20 (each)	50-0069	\$6.95	
2 pack	50-0069P	\$6.95	
25. Screws, mounting - 1984-'99			
a. 1/4"-24 x 1-1/2" (HHCS)	50-0082	\$8.95	
b. 1/4"-24 x 2-1/4" (HHCS) 5430W	50-0088	\$8.95	
c. 1/4"-20 x 1-1/2" (HHCS)	50-0080	\$4.95	
d. 1/4"-20 x 2-1/4" (SHCS) 4717A	50-0078	\$4.95	
e. 1/4"-20 x 1-1/2" (SHCS) 4718A	50-0079	\$4.95	
26. Washer, 1/4" (each)	50-7017	\$6.95	
12 pack	50-7013	\$12.95	
27. Retaining ring 695-36, 26348-36 (each)	50-8058	\$6.95	
10 Pack	50-8106	\$19.95	
28. Retaining ring, external 11002 (each)	50-8059	\$4.95	
10 Pack	50-8107	\$10.95	
29. Gear, pump drive, 24T 26345-73	33-4230	\$50.95	
30. Gear, pinion shaft pump drive - 1984-'89			
26349-73, 26349-73A	33-4232	\$61.95	
31. Gear, steel breather valve			
Standard 25310-82A, 25313-77B, 25311-90	33-4241	\$123.95	
+.030"	33-4242	\$199.95	
32. Shim, steel breather kit - 8 pack (includes one of each thickness)	33-4249	\$54.95	
a. +.100" thick	33-4200	\$9.95	
b. +.110" thick 25320-79	33-4201	\$9.95	
c. +.120" thick 25322-79	33-4202	\$9.95	
d. +.130" thick 25325-79, 25320-82	33-4203	\$9.95	
e. +.140" thick 25322-82, 25327-79	33-4204	\$9.95	
f. +.150" thick 25325-82	33-4205	\$9.95	
g. +.160" thick 25327-82	33-4206	\$9.95	
h. +.170" thick	33-4207	\$9.95	
33. Gasket rebuild kit (N/S) Includes key and retaining ring			
a. 1984-'91	31-6271	\$17.95	
b. 1992-'99	31-6273	\$17.95	
34. Master rebuild kit - (N/S)			
Includes: gasket rebuild kit, seal, retaining ring, relief valve spring, check valve, ball, and cover screw o-rings			
a. 1984-'91	31-6275	\$31.95	
b. 1992-'99	31-6278	\$70.95	
35. Drill jig, oil pump (N/S)	53-0013		
Oil pump mounting hardware kit (N/S)			
1984-91 (Includes # 25a,25b,25c,25d,26)	31-6288	\$16.95	
1992-99 (Includes # 25d,25e,26)	31-6290		
Hardware Kit, Oilpump Cover (N/S)		\$71.95	
1984-91 (Includes #10,18,19,20,21,22)	31-6283±	\$61.95	
1992-99 (Includes #10,20,21,22)	31-6286±		

(N/S) = Not Shown

All reference to HD® Part #s is for identification purposes only. We in no way are implying that any of S&S® Cycle's products are original equipment parts or that they are equivalent to the corresponding HD Part # shown.

⚠️ WARNING: Cancer and Reproductive Harm - www.P65Warnings.ca.gov





Order 608-627-1497

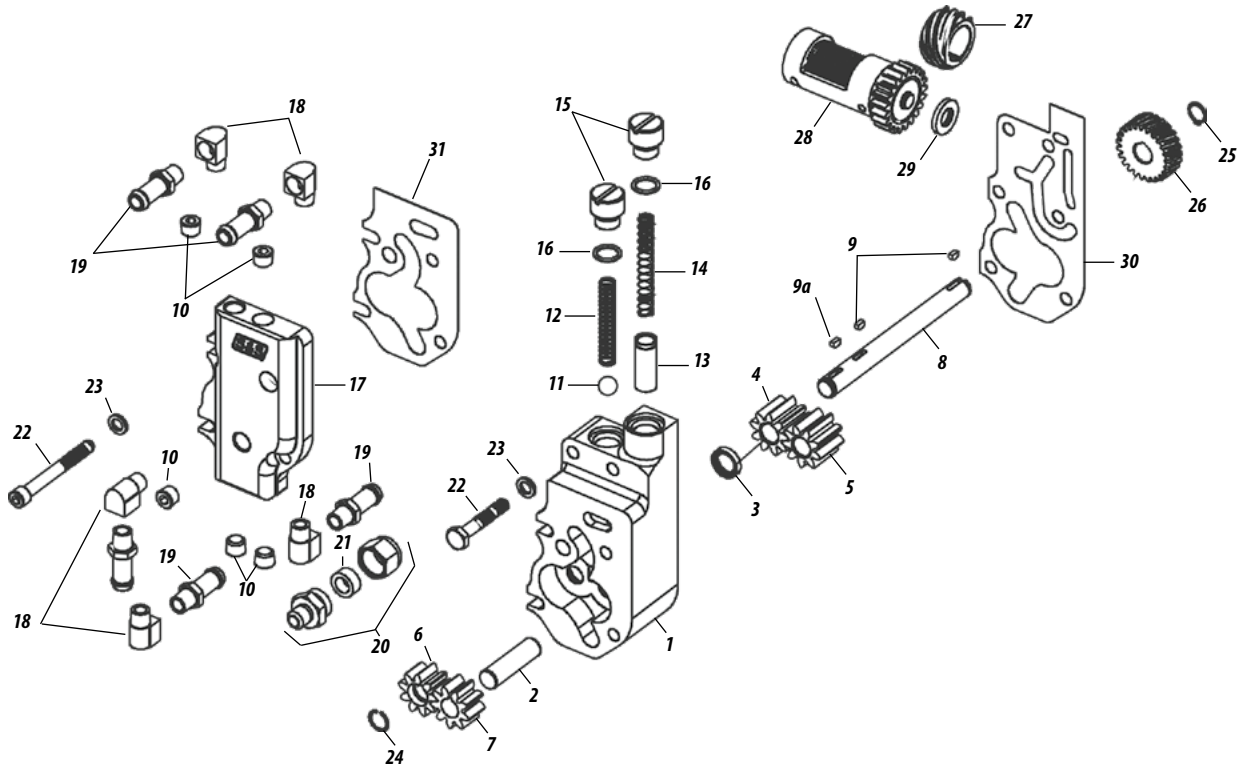
1. Pump body assembly				
Fits 1984-'91	31-6097	\$193.95		
Fits 1992-'99	31-6078	\$193.95		
2. Shaft, idler	31-6080-S	\$15.95		
3. Seal, drive shaft	31-6064-S	\$9.95		
4. Gear, return drive, HVHP	31-6075	\$61.95		
5. Gear, return idler, HVHP	31-6083	\$60.95		
6. Gear, supply drive, HVHP	31-6074	\$60.95		
7. Gear, supply idler, HVHP	31-6081	\$40.95		
8. Shaft, drive 26346-70	31-6011	\$23.95		
9. Key, drive shaft (each)	50-8228-S	\$8.95		
9a. Key, Woodruff, .094" x .313" x .311", Steel 26347-15				
each	50-8220-S	\$4.95		
10 pack	50-8229	\$14.95		
10. Plug, 1/8"-27 45830-48 (each)	50-8331A	\$7.95		
10 pack	50-1015	\$15.95		
11. Check ball valve (HD® #8866, 8873)	50-8091	\$4.95		
12. Spring, check valve 26363-36, 26363-56, 26262-80				
each	31-6022	\$6.95		
10 pack	31-6092	\$19.95		
13. Relief valve 26400-82, 26400-82B	31-6082	\$12.95		
14. Spring, relief valve 26207-83 (each)	31-6018	\$6.95		
10 pack	31-6084	\$19.95		
15. Screw, check valve & relief valve cover 26263-80, 26362-36				
each	31-6021	\$10.95		
5 pack	31-7005	\$28.95		
16. O-ring 11105, 11273 (each)	50-8008	\$6.95		
10 pack	50-8078	\$14.95		
17. Pump cover assembly				
1984-'91 (Universal)	31-6098	\$122.95		
1992-'99 (Universal)	31-6079	\$122.95		
1992-'99 (Standard Style)	31-6094	\$112.95		
18. Elbow, supply/return 26338-68A, 26561-81A, 26561-84A, 26338-68				
each	106-2682	\$14.95		
5 pack	50-1007	\$61.95		
19. Fitting, supply/return hose	50-8115	\$9.95		
20. Return fitting, compression 63523-92, 63523-62	50-8120	\$33.95		
21. Seal, tubing 3/8" x 1/2" O.D. x 1/4"	50-8271	\$15.95		
22. Screws, mounting				
a. 1/4"-20 x 1-1/2" (SHCS) 4718A	50-0079	\$4.95		
b. 1/4"-20 x 1-1/2" (HHCS)	50-0080	\$4.95		
c. 1/4"-20 x 2-1/2" (SHCS)	50-0086	\$4.95		
23. Washer, 1/4" (each)	50-7017	\$6.95		
12 pack	50-7013	\$12.95		
24. Retaining ring 695-36, 26348-36 (each)	50-8058	\$6.95		
10 Pack	50-8106	\$19.95		
25. Retaining ring, external 11002 (each)	50-8059	\$4.95		
10 Pack	50-8107	\$10.95		
26. Gear, pump drive, 24T 26345-73	33-4230	\$50.95		
27. Gear, pinion shaft pump drive 1954-'89				
26349-73, 26349-73A	33-4232	\$61.95		
28. Gear, steel breather valve				
Standard 25310-82A, 25313-77B, 25311-90	33-4241	\$123.95		
+.030"	33-4242	\$199.95		
29. Shim, steel breather kit				
8 pack (Includes one of each thickness)	33-4249	\$54.95		
+.100" thick	33-4200	\$9.95		
+.110" thick 25320-79	33-4201	\$9.95		
+.120" thick 25322-79	33-4202	\$9.95		
+.130" thick 25325-79, 25320-82	33-4203	\$9.95		
+.140" thick 25322-82, 25327-79	33-4204	\$9.95		
+.150" thick 25325-82	33-4205	\$9.95		
+.160" thick 25327-82	33-4206	\$9.95		
+.170" thick	33-4207	\$9.95		
30. Gasket rebuild kit				
Includes key and retaining ring (N/S)				
1984-'91 BT HVHP 31-6306	31-6308	\$14.95		
1992-'99 BT HVHP	31-6299	\$15.95		
31. Master rebuild kit (N/S)				
Includes gasket rebuild kit, seal, retaining ring, relief valve spring, check valve spring, check valve, ball, and cover screw o-rings.				
1984-'91 BT HVHP	31-6309	\$27.95		
1992-'99 BT HVHP	31-6300	\$31.95		
Hardware Kit, Oilpump Cover (N/S)				
(Includes # 10,18,19,20)	31-6285±	\$61.95		
Oilpump Mounting Hardware Kit (N/S)				
(Includes # 22a,22b,22c,23)	31-6301	\$12.95		

(N/S) = Not Shown

NOTE: HVHP oil pump gaskets are not interchangeable with standard S&S or stock oil pump gaskets.

All reference to HD® Part #s is for identification purposes only. We in no way are implying that any of S&S® Cycle's products are original equipment parts or that they are equivalent to the corresponding HD Part # shown.

± WARNING: Cancer and Reproductive Harm - www.P65Warnings.ca.gov





Order 608-627-1497

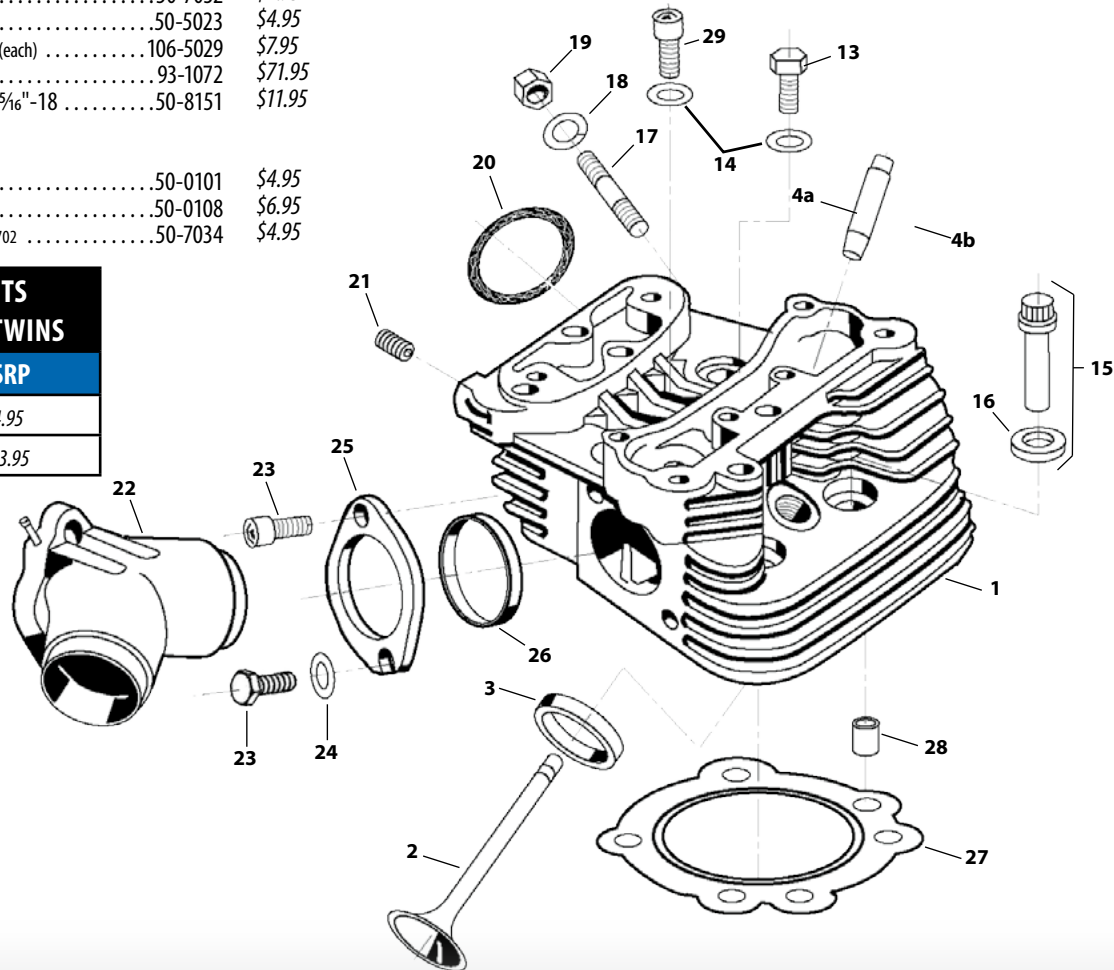
For 1984-'99 Big Twin Engines

1. Cylinder head (See cylinder heads on PAGE 46)
2. Valve
 - Intake - 1.900" diameter 90-2139 \$70.95
 - Exhaust - 1.575" diameter..... 90-2026 \$71.95
3. Valve seats
 - Intake - 1.900" diameter 90-2138 \$50.95
 - Exhaust - 1.605" diameter..... 90-2003 \$70.95
- 4a. Valve guide - Cast - intake or exhaust
 - Standard Diameter .5625/.5620 18112-92 90-2210 \$58.95
 - + .001" Diameter .5635/.5630 18130-83C 90-2211 \$81.95
 - + .002" Diameter .5645/.5640 18133-83A, 18133-83D 90-2212 \$107.95
 - + .003" Diameter .5655/.5650 18131-83C 90-2213 \$122.95
 - + .030" Diameter .5925/.5920 90-2219 \$71.95
- 4b. Valve Guide - Powder Metal - Intake/Exhaust
 - Standard 900-0553 \$50.95
 - + .001 900-0554 \$50.95
 - + .002 900-0555 \$50.95
 - + .003 900-0556 \$50.95
13. Head mount bolt - 3/8"-16 x 1 1/4" 4716W
 - each 50-0168 \$6.95
14. Flat washer - 3/8"
 - Zinc (each) 50-7051 \$4.95
 - Chrome (each) 50-7106-5+ \$8.95
15. Head bolt assembly - Includes head bolt washer. (See PAGE 48)
16. Head bolt washer
 - .150" (each) 50-0418-5 \$9.95
 - .250" (each) 50-7091 \$7.95
17. Exhaust port stud 16715-83 (each) 50-0493 \$7.95
- 5 pack 50-1028 \$19.95
18. Lock washer - 5/16" 50-7032 \$4.95
19. Nut, HH - 5/16" -24 7833, 7883 50-5023 \$4.95
20. Exhaust pipe gasket 65324-83B, 65324-83A (each) 106-5029 \$7.95
- 10 pack 93-1072 \$71.95
21. Thread conversion insert, 1/2"-13 to 5/16"-18 50-8151 \$11.95
22. Intake manifold (See PAGE 50)
23. Screw, manifold mounting
 - SH 5/16"-18 x 1" 3201WA, 2708 50-0101 \$4.95
 - HH - 5/16"-18 x 1" 3987 (each) 50-0108 \$6.95
24. Washer, flat - 5/16" 6320, 70907-07, 6016, 6702 50-7034 \$4.95

25. Flange, manifold mounting
 - Front 27009-86A (each) 16-0232 \$72.95
 - 5 pack 16-0600 \$336.95
 - Rear 27010-86A (each) 16-0233 \$72.95
 - 5 pack 16-0601 \$339.95
 - Set of Two 106-3516 \$173.95
26. O-ring, manifold
 - Stock manifolds 26995-86B, 26995-86A, 26992-99 (each) 16-0236 \$10.95
 - 10 pack 16-0244 \$60.95
 - S&S manifolds (each) 16-0235 \$11.95
 - 10 pack 16-0243 \$61.95
27. Head gasket, 1984-'99 big twin (No o-rings required)
 - 3 1/2" Bore
 - .045" thick 16770-84D, 16770-84F (each) 93-1011-S \$29.95
 - 10 pack 93-1024 \$275.95
 - .0625" thick 16770-84D, 16770-84F, 10773-85(each) 93-1313-S \$20.95
 - 3 5/8" Bore
 - .045" thick (each) 93-1037-S \$15.95
 - 10 pack 93-1052 \$164.95
 - .062" thick (each) 93-1016-S \$23.95
 - 10 pack 93-1053 \$182.95
28. Alignment dowel 16574-99A, 16573-83, 16573-83A (each) 50-8023 \$7.95
- 10 pack 50-8109 \$27.95
29. Temp Sensor Hole Plug Screw, SHCS, 3/8"-16 x 1"(each) 50-0161 \$4.95

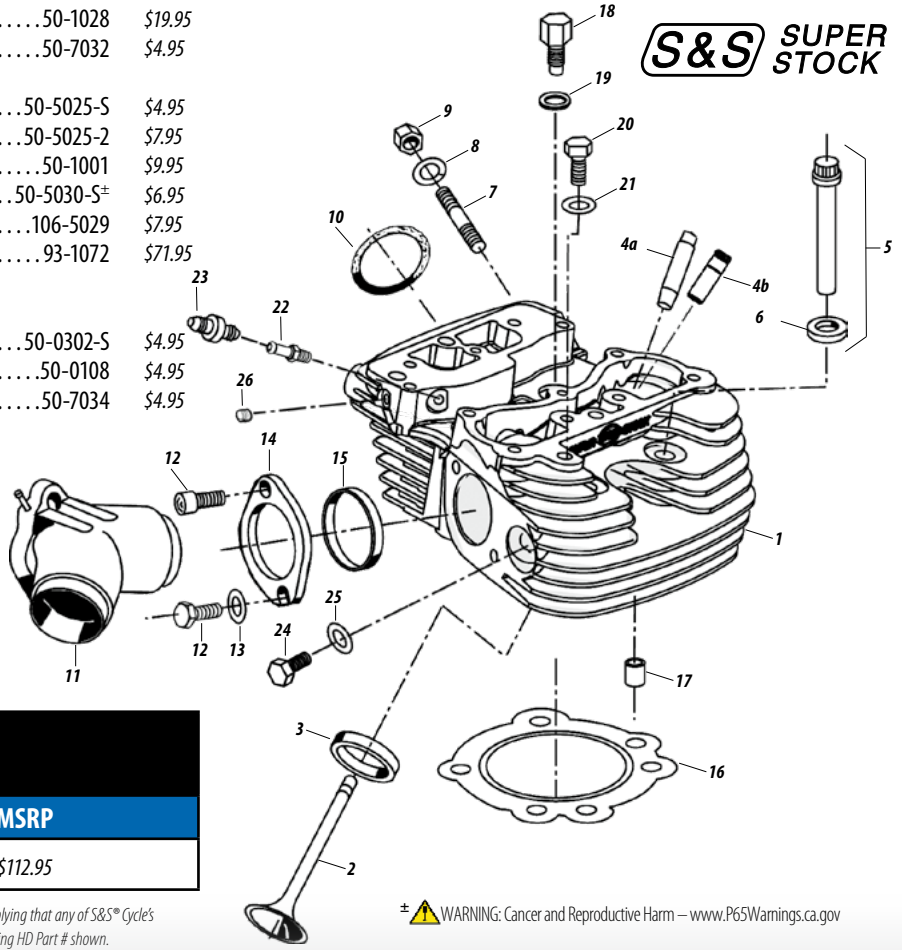
TOP END REBUILD GASKET KITS FOR S&S® ENGINES FOR BIG TWINS

Bore Size	Part #	MSRP
3 5/8"	90-9502	\$94.95
3 1/2"	90-9507	\$113.95



1. Cylinder head - All S&S 4 1/8" bore (See PAGE 46) —
2. Valve Intake
2.000" diameter.....90-2000 \$40.95
Exhaust
1.605" diameter.....90-2001 \$81.95
3. Valve seat Intake - 2.000" diameter.....USA 1,2,3 90-2002 \$30.95
Exhaust - 1.605" diameter.....USA 1,2,3 90-2003 \$70.95
- 4a. Valve guide -Cast - Intake/Exhaust (see valve guide diameter chart)
Standard Diameter .5625/.5620 18112-92
.....USA 1,2,3 90-2210 \$58.95
+ .001" Diameter .5635/.5630 18130-83C.....USA 90-2211 \$81.95
+ .002" Diameter .5645/.5640 18133-83A, 18133-83D.....USA 90-2212 \$101.95
+ .003" Diameter .5655/.5650 18131-83C.....USA 90-2213 \$122.95
+ .030" Diameter .5925/.5920.....USA 90-2219 \$71.95
- 4b. Valve Guide - Powder Metal - Intake/Exhaust
Standard.....900-0553 \$50.95
+ .001.....900-0554 \$50.95
+ .002.....900-0555 \$50.95
+ .003.....900-0556 \$50.95
5. Head bolt assembly (Includes head bolt washer)
111" (Includes washer .100").....93-3030 \$21.95
117" (Includes washer .250").....93-3037 \$21.95
124" (Includes washer .250").....93-3037 \$21.95
6. Head bolt washer
.150" (each).....50-0418-5 \$9.95
.250" (each).....50-7091 \$7.95
7. Exhaust port stud 16715-83 (each).....50-0493 \$7.95
5 pack.....50-1028 \$19.95
8. Lock washer - 5/16".....50-7032 \$4.95
9. Nut, flanged - 5/16"-24 7593
Zinc (each).....50-5025-5 \$4.95
2 pack.....50-5025-2 \$7.95
5 pack.....50-1001 \$9.95
Chrome (each).....50-5030-5± \$6.95
10. Exhaust pipe gasket (each) 65324-83B, 65324-83A.....106-5029 \$7.95
10 pack.....93-1072 \$71.95
11. Intake manifold (See Manifolds on PAGE 51)
12. Manifold mounting screw
SH - 5/16"-18 x 3/4" 3275 (each).....50-0302-5 \$4.95
HH - 5/16"-18 x 1" 3987 (each).....50-0108 \$4.95
13. Flat washer - 5/16" 6320, 70907-07, 6016, 6702.....50-7034 \$4.95

14. Manifold mounting flange
Front 27009-86A (each).....USA 16-0232 \$72.95
5 pack.....USA 16-0600 \$336.95
Rear 27010-86A (each).....USA 16-0233 \$72.95
5 pack.....USA 16-0601 \$339.95
Set of Two.....106-3516 \$173.95
15. Manifold o-ring (each).....16-0235 \$11.95
10 pack.....16-0243 \$61.95
16. Head gasket - All S&S SSW+ - 4 1/8" Bore, Micropore
each.....93-1047-5 \$17.95
10 pack.....93-1073 \$152.95
17. Alignment dowel, base and head 16595-99A (each).....50-8177 \$8.95
4 pack.....50-8177-4 \$15.95
18. Plug, HH - 14mm (Use when compression releases are not installed)
each.....90-4916 \$24.95
2 pack.....90-4916-2 \$49.95
19. Washer, compression - 14mm - .507" x .705" x .047".....50-7094 \$15.95
20. Head mount bolt 3/8" - 16 x 1 1/4" 4716W.....50-0168 \$6.95
21. Flat washer - 3/8".....USA 1,2,3 50-7051 \$4.95
22. Vent hose fitting,
Front, 1/16"-27 pipe.....USA 50-8117 \$15.95
Rear, 1/8"-27 pipe.....USA 1,2,3 50-8115 \$9.95
23. Check Valve.....50-8122 \$16.95
24. Screw, HHC, 5/16"-18 x 5/8" (each).....50-0106 \$6.95
25. Washer, flat, .319" x .545" x .42" (each).....50-7026 \$6.95
26. Plug, Pipe, 3/4 Taper, 1/16"-27 NPTF x .156".....50-8332 \$4.95



TOP END REBUILD GASKET KITS FOR S&S® ENGINES FOR BIG TWINS

Bore Size	Part #	MSRP
4 1/8"	90-9506 USA 3	\$112.95

All reference to HD® Part #s is for identification purposes only. We in no way are implying that any of S&S® Cycle's products are original equipment parts or that they are equivalent to the corresponding HD Part # shown.

± ⚠️ WARNING: Cancer and Reproductive Harm - www.P65Warnings.ca.gov



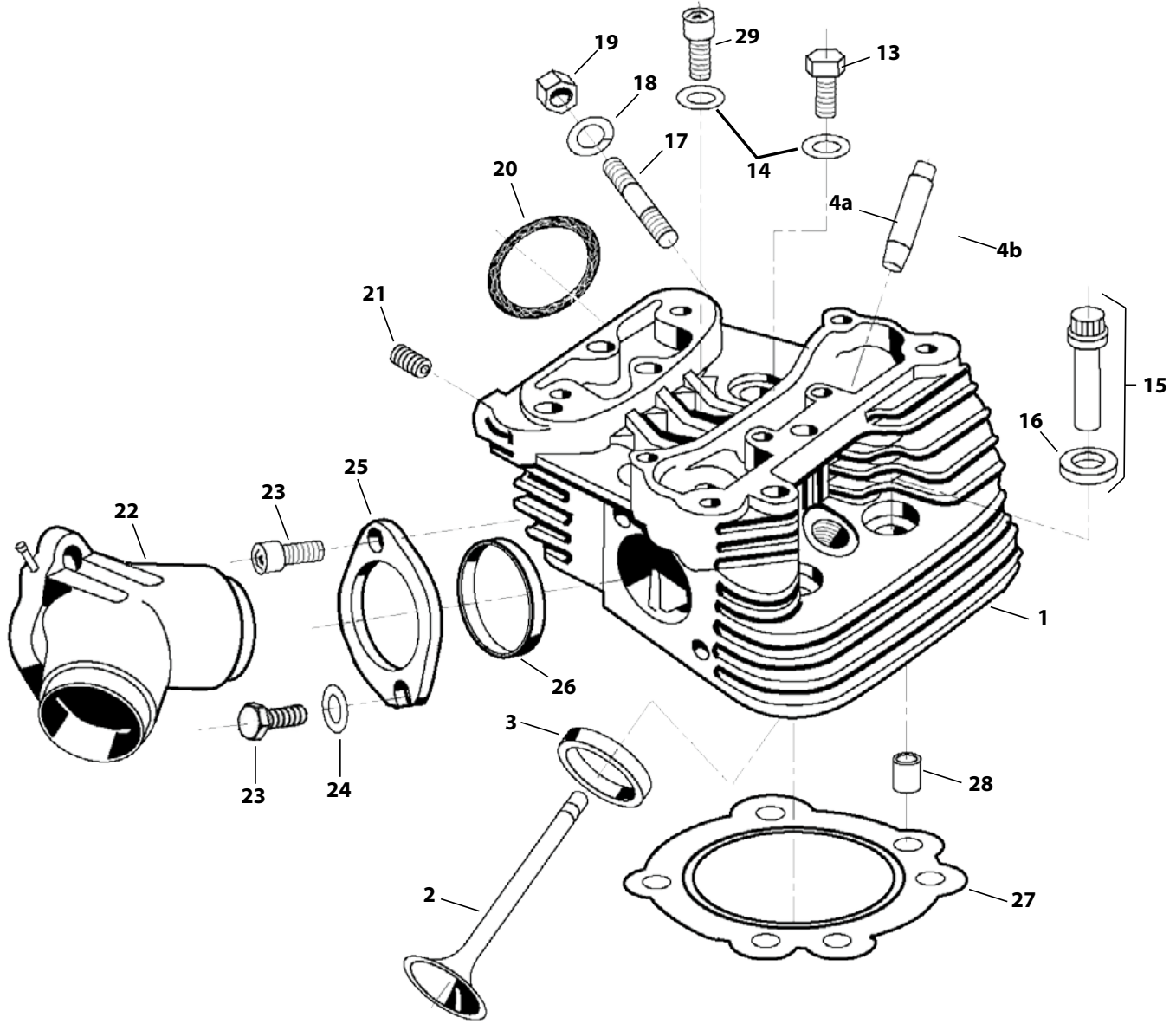
For 1984-'99 Big Twin 3 5/8" To 4" Bore

Order 608-627-1497

- | | | |
|--|-------------------|----------|
| 1. Cylinder head (See PAGE 46 & PAGE 47) | | |
| 2. Valves | | |
| Intake | | |
| 2.000" diameter..... | 90-2000 | \$40.95 |
| 2.000" diameter+.085" stem length..... | 90-2004 | \$33.95 |
| 2.000" diameter+.005" stem diameter..... | 90-2029 | \$81.95 |
| Exhaust | | |
| 1.605" diameter..... | 90-2001 | \$81.95 |
| 1.605" diameter+.005" stem..... | 90-2030 | \$91.95 |
| 3. Valve seats | | |
| Intake - 2.000" diameter..... | 90-2002 | \$30.95 |
| Exhaust - 1.605" diameter..... | 90-2003 | \$70.95 |
| 4a. Valve guide - intake or exhaust | | |
| Standard Diameter .5625/.5620 18112-92 | 90-2210 | \$58.95 |
| +.001" Diameter .5635/.5630 18130-83C | 90-2211 | \$81.95 |
| +.002" Diameter .5645/.5640 18133-83A, 18133-83D | 90-2212 | \$101.95 |
| +.003" Diameter .5655/.5650 18131-83C | 90-2213 | \$122.95 |
| +.030" Diameter .5925/.5920 | 90-2219 | \$71.95 |
| 4b. Valve Guide - Powder Metal - Intake/Exhaust | | |
| Standard..... | 900-0553 | \$50.95 |
| +.001..... | 900-0554 | \$50.95 |
| +.002..... | 900-0555 | \$50.95 |
| +.003..... | 900-0556 | \$50.95 |
| 5. Head mount bolt - 3/8"-16 x 1 1/4" 4716W | | |
| each..... | 50-0168 | \$6.95 |
| 6. Flat washer - 3/8" | | |
| Zinc (each)..... | 50-7051 | \$4.95 |
| Chrome (each)..... | 50-7106-S± | \$8.95 |
| 7. Head bolt assembly - Includes head bolt washer (See PAGE 48) | | |
| 8. Head bolt washer | | |
| .150" (each)..... | 50-0418-S | \$9.95 |
| .250" (each)..... | 50-7091 | \$7.95 |
| 9. Exhaust port stud 16715-83 (each) | 50-0493 | \$7.95 |
| 5 pack..... | 50-1028 | \$19.95 |
| 10. Lock washer - 5/16" (each)..... | 50-7032 | \$4.95 |
| 11. Nut, HH - 5/16" -24 7833, 7883 (each)..... | 50-5023 | \$4.95 |
| 12. Exhaust pipe gasket 65324-83B, 65324-83A (each)..... | 106-5029 | \$7.95 |
| 10 pack..... | 93-1072 | \$71.95 |
| 13. Thread conversion insert 1/2"-13 to 5/16"-18..... | 50-8151 | \$11.95 |
| 14. Intake manifold (See PAGE 51) | | |
| 15. Screw, manifold mounting | | |
| SH - 5/16"-18 x 1" 3201WA, 2708 (each)..... | 50-0101 | \$4.95 |
| HH - 5/16"-18 x 1" 3987 (each)..... | 50-0108 | \$6.95 |
| 16. Washer, flat - 5/16" 6320, 70907-07, 6016, 6702(each)..... | 50-7034 | \$4.95 |
| 17. Flange, manifold mounting | | |
| Front 27009-86A (each)..... | 16-0232 | \$72.95 |
| 5 pack..... | 16-0600 | \$336.95 |
| Rear 27010-86A (each)..... | 16-0233 | \$72.95 |
| 5 pack..... | 16-0601 | \$339.95 |
| Set..... | 106-3516 | \$173.95 |
| 18. O-ring, manifold (each)..... | 16-0235 | \$11.95 |
| 10 pack..... | 16-0243 | \$61.95 |
| 19. Head gasket 3 1/2" Bore | | |
| .045" thick (no o-rings required) 16770-84D, 16770-84F | | |
| each..... | 93-1011-S | \$29.95 |
| 10 pack..... | 93-1024 | \$275.95 |
| .0625" thick (no o-rings required) 16770-84D, 16770-84F, 10773-85 | | |
| each..... | 93-1313-S | \$20.95 |
| 3 3/8" Bore .045" thick (no o-rings required) (each)..... | 93-1037-S | \$15.95 |
| 10 pack..... | 93-1052 | \$164.95 |
| .062" thick (no o-rings required) (each)..... | 93-1016-S | \$23.95 |
| 10 pack..... | 93-1053 | \$182.95 |
| 4" Bore | | |
| .045" thick (each)..... | 93-1040-S | \$17.95 |
| 10 pack..... | 93-1071 | \$163.95 |
| .070" diameter 26432-76A..... | 50-8034-S | \$9.95 |
| 20. Alignment dowel 16574-99A, 16573-83, 16573-83A (each)..... | 50-8023 | \$7.95 |
| 10 pack..... | 50-8109 | \$27.95 |
| Dowel pin - 1/4" diameter x 1/2" - 4" bore 358, 366 (each)..... | 50-8022 | \$8.95 |
| 2 pack..... | 50-8022-2 | \$13.95 |
| 5 pack..... | 50-8105 | \$13.95 |
| 21. Plug, HH - 14mm (each)..... | 90-4916 | \$24.95 |
| 2 pack..... | 90-4916-2 | \$49.95 |
| 22. Washer, compression release- 14mm | | |
| .507" x .705" x .047" (each)..... | 50-7094 | \$15.95 |

All reference to HD® Part #s is for identification purposes only. We in no way are implying that any of S&S® Cycle's products are original equipment parts or that they are equivalent to the corresponding HD Part # shown.

± WARNING: Cancer and Reproductive Harm - www.P65Warnings.ca.gov



TOP END REBUILD GASKET KITS FOR S&S® ENGINES FOR BIG TWINS

Engine Family	Year Group	Bore Size	Part #	MSRP
V-Series	1984-'99	4"	90-9503 ^{USA} 2	\$91.95
V-Series	1984-'99	3 3/8"	90-9502 ^{USA} 1	\$94.95

All reference to HD® Part #s is for identification purposes only. We in no way are implying that any of S&S® Cycle's products are original equipment parts or that they are equivalent to the corresponding HD Part # shown.

1984-1999 Evolution®

1936-1984 Vintage Engines

Tools & Shop Supplies

Warranty & Company Policy

Appendix

Die-Cast Rocker Cover Replacement Parts

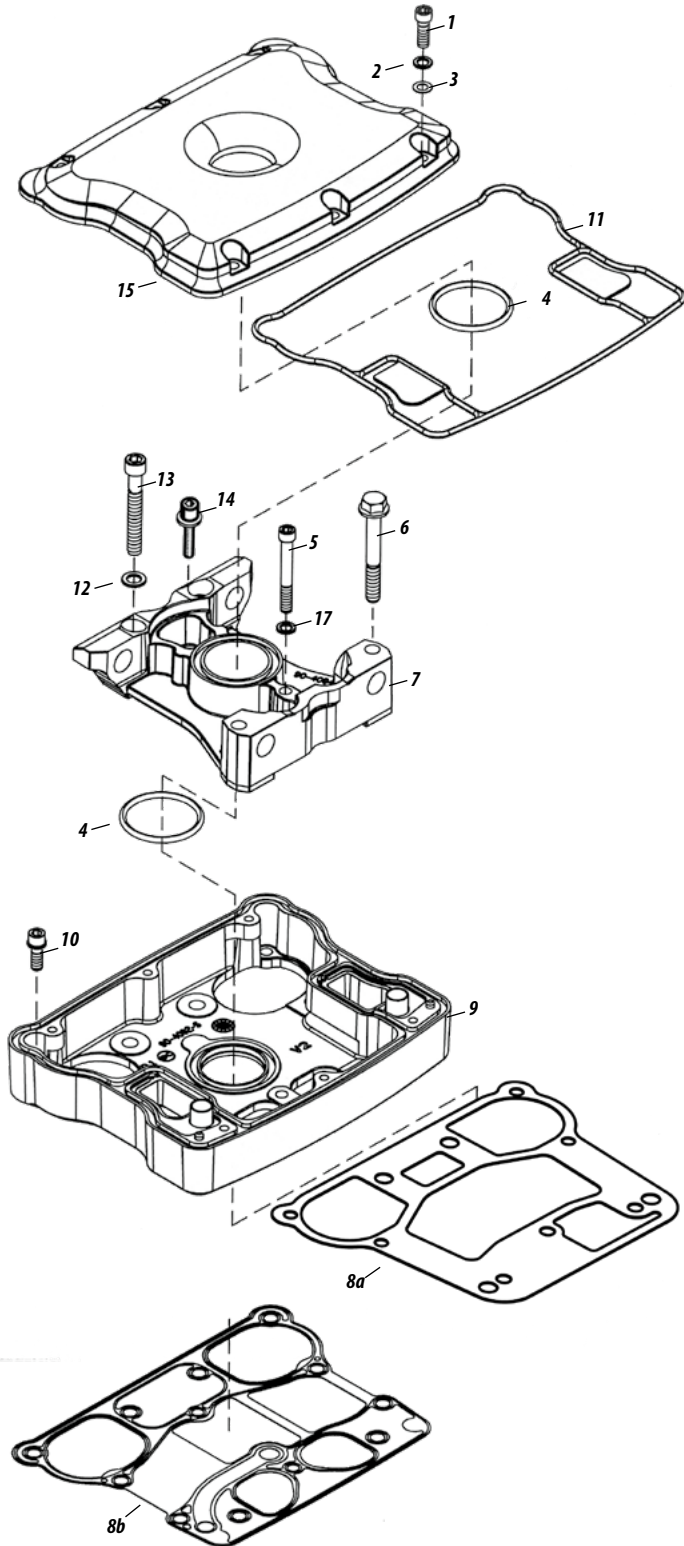
For 1984-'99 Big Twins & S&S 4 1/8" Bore Engines



Order 608-627-1497

- | | | |
|---|------------|----------|
| 1. Screw, socket head 1/4"-20 x 3/4" 4069A (each) | 50-0067 | \$7.95 |
| 2. Washer, flat 1/4" (each) | 50-7017 | \$6.95 |
| 12 pack. | 50-7013 | \$12.95 |
| 3. Washer, rubber coated 1/4" (each) | 50-7015 | \$6.95 |
| 8 pack. | 50-7015-8 | \$12.95 |
| 12 pack. | 50-7015-12 | \$15.95 |
| 4. Seal, o-ring (Included in gasket set see #16 below.) | 50-8044 | \$6.95 |
| 5. Screw, SH 1/4"-20 x 2" 25794-36 | 50-0013 | \$6.95 |
| 6. Screw, hex flange head 5/16"-18 x 2 1/4" 3501 | 50-0123 | \$7.95 |
| 7. Support, rocker arm | 90-4140 | \$81.95 |
| 8. Gasket, rocker housing, 1984-'99 bt | | |
| a. Gasket, Bottom, Rocker Cover, 1984-99 bt | | |
| each. | 900-0538 | \$17.95 |
| 2 pack. | 900-0592 | \$40.95 |
| b. S&S 4 1/8" Bore 16719-99B (each) | 90-4071-S | \$12.95 |
| 2 pack. | 90-4071 | \$20.95 |
| 10 pack. | 90-4099 | \$91.95 |
| 9. Housing, rocker | | |
| chrome | | |
| 1984-'99 bt. | 900-0790± | \$329.95 |
| S&S 4 1/8" Bore. | 900-4283± | \$316.95 |
| gloss black | | |
| 1984-'99 bt. | 900-0910 | \$326.95 |
| 10. Screw, 1984-'99 bt, SHCS 1/4"-20 x 1" 4741A (each) | 50-0092-S | \$7.95 |
| 4 pack. | 50-0092P | \$10.95 |
| S&S 4 1/8" Bore, SHCS 5/16"-18 x 1" | 50-0125-S | \$6.95 |
| 11. Seal, rocker cover (Included in gasket set see #16 below.) | 90-4079 | \$19.95 |
| 12. Washer, flat 5/16" (each) | 50-7026 | \$6.95 |
| 13. Screw, SH 5/16"-18 x 2 1/4" (each) | 50-0115-S | \$7.95 |
| 14. Screw, socket head, 1/4"-20 x 1" (S&S 4 1/8" bore only) 4741A | | |
| each. | 50-0092-S | \$7.95 |
| 4 pack. | 50-0092P | \$10.95 |
| 15. Cover, rocker | | |
| chrome | 900-0706± | \$203.95 |
| gloss black. | 900-0912 | \$142.95 |
| 16. Gasket Set (N/S) | | |
| 1984-'99 bt. | 90-4091 | \$91.95 |
| S&S 4 1/8" Bore | 90-4111 | \$71.95 |
| 17. Washer, flat, .261"x.474"x.050" Annealed, Stainless Steel | | |
| each. | 50-7020 | \$6.95 |

(N/S) = Not Shown



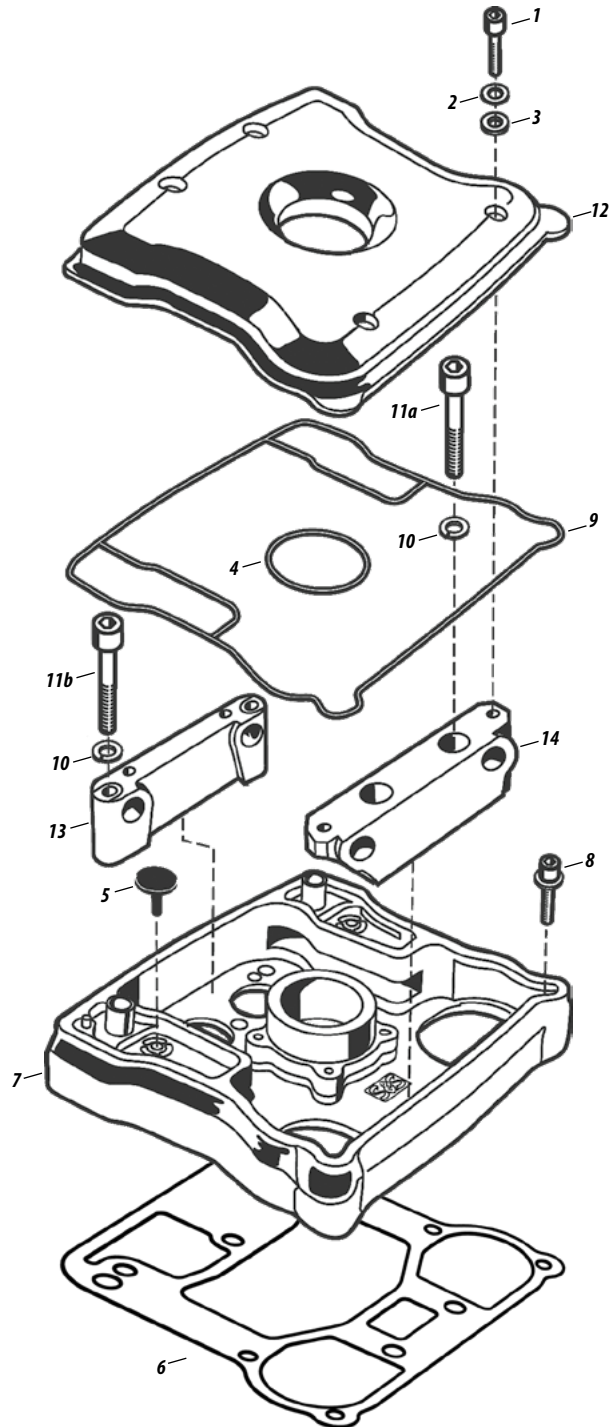
All reference to HD® Part #s is for identification purposes only. We in no way are implying that any of S&S® Cycle's products are original equipment parts or that they are equivalent to the corresponding HD Part # shown.

± WARNING: Cancer and Reproductive Harm – www.P65Warnings.ca.gov



1. Screw, SH - 1/4"-20 x 3/4" 4069A (each) 50-0067 \$7.95
2. Washer, flat - 1/4" (each) 50-7017 \$6.95
12 pack 50-7013 \$12.95
3. Washer, flat - 1/4" rubber covered (each)..... 50-7015 \$6.95
8 pack 50-7015-8 \$12.95
12 pack 50-7015-12 \$15.95
4. O-ring - 1 5/8" I.D. x 1 7/8" O.D. x 1/8" CS Viton®
(Included in gasket set - See #16 below.)
5. Rocker cover umbrella valve cover - 1992-'99 big twin
(Included in gasket set. See #16 below.)
26856-89, 26856-89A 90-4030 \$7.95
6. Gasket, Bottom, Rocker Cover, 1984-99 bt (each)..... 900-0538 \$17.95
2 pack..... 900-0592 \$40.95
7. Rocker cover base - billet
Chrome 90-4051± \$538.95
Natural 90-4056 \$326.95
8. Screw, SH w/washer - 1/4"-20 x 1" 4741A (each) 50-0092-S \$7.95
4 pack 50-0092P \$10.95
9. Rocker cover o-ring gasket - S&S billet rocker cover
(Included in gasket set. See #16 below.)
10. Washer, flat - 5/16" (each) 50-7026 \$6.95
11. Bolt, rocker support - socket head
a. 5/16"-18 x 2-1/4" (left support)
each 50-0115-S \$7.95
b. 5/16"-18 x 2-1/2" (right support) 876A
each 50-0118 \$7.95
12. Rocker cover top - billet
Chrome 90-4054± \$285.95
13. Right rocker shaft support - billet 90-4053 \$132.95
14. Left rocker shaft support - billet 90-4052 \$132.95
15. Rocker cover gasket set - S&S billet rocker cover - (N/S)90-4049 \$91.95
16. Rocker cover hardware kit - (N/S) 90-4050A \$50.95

(N/S) = Not Shown

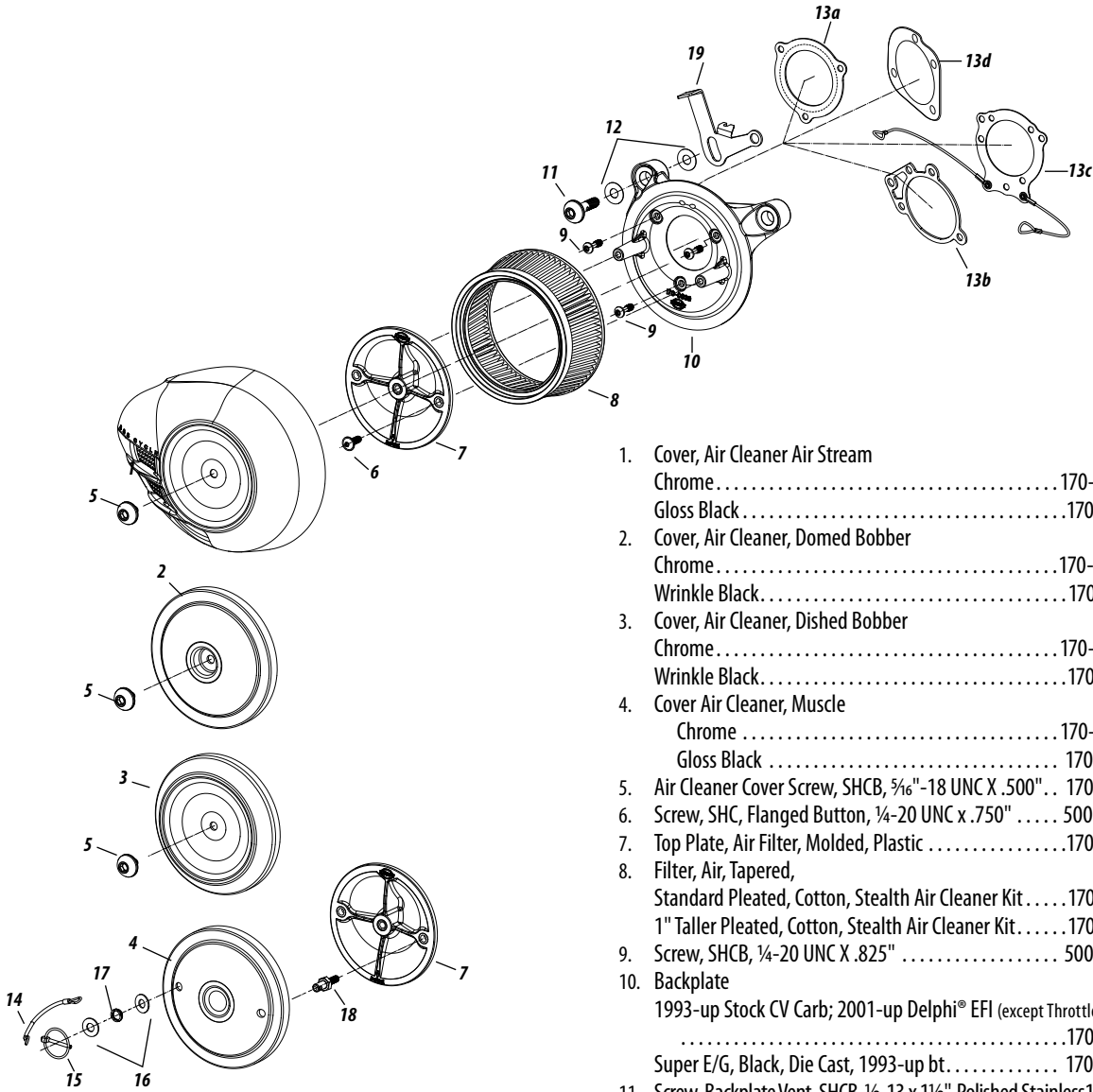


All reference to HD® Part #s is for identification purposes only. We in no way are implying that any of S&S® Cycle's products are original equipment parts or that they are equivalent to the corresponding HD Part # shown.

± WARNING: Cancer and Reproductive Harm - www.P65Warnings.ca.gov



Order 608-627-1497



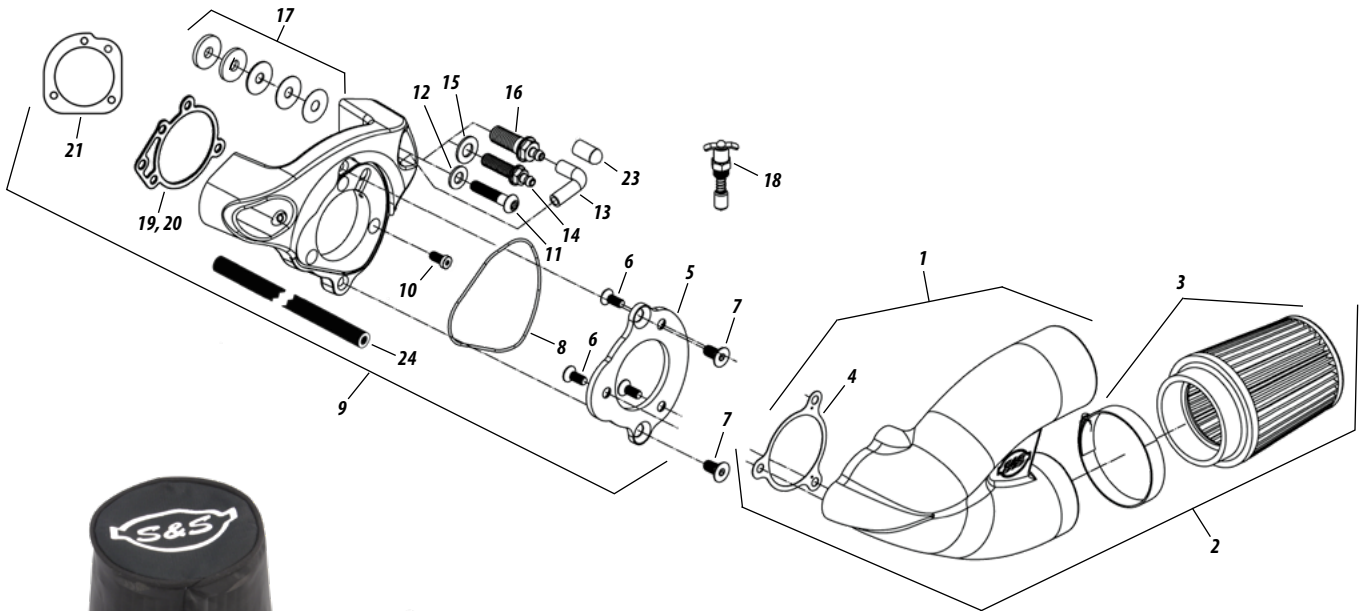
- | | | |
|--|-----------|----------|
| 1. Cover, Air Cleaner Air Stream | | |
| Chrome | 170-0118± | \$193.95 |
| Gloss Black | 170-0396 | \$195.95 |
| 2. Cover, Air Cleaner, Domed Bobber | | |
| Chrome | 170-0120± | \$163.95 |
| Wrinkle Black | 170-0124 | \$152.95 |
| 3. Cover, Air Cleaner, Dished Bobber | | |
| Chrome | 170-0119± | \$163.95 |
| Wrinkle Black | 170-0123 | \$152.95 |
| 4. Cover Air Cleaner, Muscle | | |
| Chrome | 170-0121± | \$209.95 |
| Gloss Black | 170-0463 | \$209.95 |
| 5. Air Cleaner Cover Screw, SHCB, 5/16"-18 UNC X .500" .. | 170-0508 | \$22.95 |
| 6. Screw, SHC, Flanged Button, 1/4-20 UNC x .750" | 500-0060 | \$7.95 |
| 7. Top Plate, Air Filter, Molded, Plastic | 170-0026 | \$19.95 |
| 8. Filter, Air, Tapered, | | |
| Standard Pleated, Cotton, Stealth Air Cleaner Kit | 170-0126 | \$61.95 |
| 1" Taller Pleated, Cotton, Stealth Air Cleaner Kit | 170-0127 | \$91.95 |
| 9. Screw, SHCB, 1/4-20 UNC X .825" | 500-0059 | \$7.95 |
| 10. Backplate | | |
| 1993-up Stock CV Carb; 2001-up Delphi® EFI (except Throttle by Wire) | | |
| | 170-0021 | \$62.95 |
| Super E/G, Black, Die Cast, 1993-up bt | 170-0049 | \$111.95 |
| 11. Screw, Backplate Vent, SHCB, 1/2-13 x 1 1/2", Polished Stainless | 170-0507 | \$30.95 |
| 12. Washer, Flat, Nitrile Rubber Coated | | |
| .520" x .880" x .024" BT 1993-'99 & xl 1991-'06 (each) .. | .50-7055 | \$7.95 |
| 10 pack | .50-7057 | \$17.95 |
| .380" x .880" x .024" BT 1999-'06 (each) | .50-7054 | \$7.95 |
| 10 pack | .50-7059 | \$17.95 |
| 13. Gasket, Backplate | | |
| a. Throttle by Wire, .0625" Thick, 2008-up bt | 160-0035 | \$8.95 |
| b. Super E/G | 106-1724 | \$8.95 |
| c. Stock CV Carb & EFI Throttle Body, Throttle by Wire, Lanyard style, 1991-up xl/bt | 170-0137 | \$29.95 |
| d. Stock CV Carb & EFI Throttle Body, 1991-up xl/bt | | \$8.95 |
| (except Throttle by Wire) 29062-95B | 106-6022 | \$13.95 |
| 14. Lanyard, 6" Stainless Steel | 500-0095 | \$30.95 |
| 15. Lynch Pin | 500-0083 | \$7.95 |
| 16. Washer, Fender, Chrome Plated | 500-0094± | \$9.95 |
| 17. Spring, Wave Washer, Stainless Steel | 500-0093 | \$20.95 |
| 18. Screw, Hex, Hood-pin, 1/4-20, UNC | 500-0113 | \$16.95 |
| 19. Lever, Enrich, Super E/G, Stealth, Short | 17-0327 | |

All reference to HD® Part #s is for identification purposes only. We in no way are implying that any of S&S® Cycle's products are original equipment parts or that they are equivalent to the corresponding HD Part # shown.

± WARNING: Cancer and Reproductive Harm — www.P65Warnings.ca.gov

- | | | | | |
|---|------------|--|------------|----------|
| 1. Tuned Intake Kit, 2.19" Single Bore
Chrome Plated.....106-4970± | \$246.95 | 15. Washer, Flat, 3/8" x 13/16" x 1/16", Chrome | 50-7106-S± | \$8.95 |
| 2. Tuned Intake Assembly, 2.19" Single Bore..... | N/A | 16. Screw, Breather Fitting, 1/2-13 x 1.25 | 50-0435 | \$16.95 |
| 3. Air Filter, with Clamp
Stainless Cap - Conical - 27/16" I.D. x 4" | | 17. Shim Kit | | |
| Red (each) | 17-1020 | a. 5/16" I.D. 1984-'92 BT | 17-0314 | \$15.95 |
| Blue (each) | 17-1023 | b. 1/2" I.D. 1993-'99 BT..... | 17-0464 | \$23.95 |
| 4. Gasket, Intake - Adapter Plate
2.19" Single Bore Tuned Intake | 17-1022 | 18. Enrichment Device, S&S Super E & G carbs
(Use in place of enrichment device on air cleaner backplate)11-2084± | | \$40.95 |
| 5. Plate, Adapter, 2.19" Single Bore Tuned Intake
Chrome Steel | N/A | 19. Gasket, Backplate - E/G/SBEFI..... | 106-1724 | \$8.95 |
| 6. FHSC 1/4-20 x 5/8" | 50-0433 | 10 pack | 106-2328 | \$40.95 |
| 7. FHSC 5/16-18 x 5/8" | 50-0432 | 20. Gasket, S&S SBEFI 58mm | 106-4662 | \$10.95 |
| 8. O-ring, Adapter Plate Bracket
3 3/8" O.D. x 3 1/2" I.D. 1/16 CS, Viton® | 50-0446 | 21. Gasket, Stock carb/Throttle Body 29062-95B | 106-6022 | \$8.95 |
| 9. Bracket Kit, 2.19" Single Bore Tuned Intake
Super E/G, S&S V124 - Chromed | 106-4973± | 22. Hardware Kit, 1984-'99 - (N/S)
Stock Carb & S&S Single Bore EFI | 17-5098 | \$173.95 |
| Stock carb, Delphi® EFI, 1984-'99 BT - Chromed | 106-4978± | S&S Super E or G Carb | 17-5099± | \$144.95 |
| 10. Backplate Screw
Screw, SHC, w/Threadlock, 1/4-20 x 1/2" | 106-2084 | S&S 124 V-Series | 500-0016 | \$81.95 |
| 10 pack | 106-2105 | 23. Canister Purge Fitting Cap (each) | 50-8266-S | \$9.95 |
| 11. Screw, 5/16-18 x 1 1/4, BHC, Chrome..... | 50-0309-S± | 24. Breather Vent Hose | 106-4982 | \$13.95 |
| 12. Flat Washer 5/16" x 1 1/16" 6320, 70907-07, 6016, 6702 | 50-7034 | | | |
| 13. Hose, Breather, 1/4" I.D., 90° | 19-0178A | | | |
| 14. Screw, Breather Fitting, 3/8-16 x 1 1/4" | 50-0436 | | | |

(N/S) = Not Shown



106-0248

ACCESSORIES

Description	Part #	MSRP
Nylon Air Filter Cover	each	106-0247
	2 pack	106-0248

± ⚠ WARNING: Cancer and Reproductive Harm - www.P65Warnings.ca.gov

All reference to HD® Part #s is for identification purposes only. We in no way are implying that any of S&S® Cycle's products are original equipment parts or that they are equivalent to the corresponding HD Part # shown.



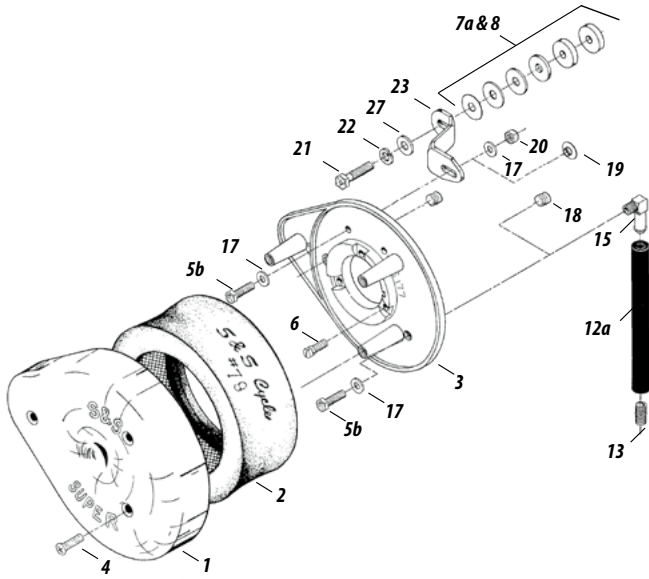
1. Air cleaner cover			
Chrome	17-0078±	\$203.95	
2. Element	17-0079	\$24.95	
3. Backplate			
BT 1966-'89	106-0907	\$131.95	
4. Cover screw 1305 (each)	50-0072	\$6.95	
3 pack	50-1052	\$8.95	
10 pack	50-0094	\$13.95	
Black 902 (each)	50-0310-S	\$9.95	
3 pack	50-0310	\$15.95	
5. Screw HHCS 1/4"-28 x 7/8"	50-0074	\$4.95	
6. Backplate screw			
Zinc Plated (each)	106-2084	\$6.95	
10 pack	106-2105	\$12.95	
7. Shim kit			
a. BT 1966-'89 (Includes 2 each 5/16" x .018", 5/16" x .030", 5/16" x .048", 5/16" x .105"			
4 each 5/16" x .125")	17-0314	\$15.95	
b. BT 1993-'99 (Includes 2 each 1/2" x .018", 1/2" x .030", 1/2" x .048", 1/2" x .105", and			
4 each 1/2" x .125")	17-0464	\$23.95	
8. Replacement shims			
BT 1966-'89			
a. 5/16" x .018" (each)	50-7038	\$6.95	
b. 5/16" x .030" (each)	50-7039	\$6.95	
c. 5/16" x .048" (each)	50-7040	\$6.95	
d. 5/16" x .105" (each)	50-7041	\$7.95	
e. 5/16" x .125" (each)	50-7042	\$7.95	
BT 1993-up			
f. 1/2" x .018" (each)	50-7085	\$7.95	
g. 1/2" x .030" (each)	50-7086	\$6.95	
h. 1/2" x .048" (each)	50-7087	\$7.95	
i. 1/2" x .105" (each)	50-7089	\$7.95	
j. 1/2" x .125" (each)	50-7090	\$9.95	
BT 1999-up, All 2002-up EFI BT			
k. 5/8" x .025" (each)	50-7113	\$6.95	
10 pack	50-7110	\$12.95	
l. 5/8" x .050" (each)	50-7114	\$6.95	
10 pack	50-7111	\$13.95	
m. 5/8" x .075" (each)	50-7115	\$7.95	
10 pack	50-7112	\$16.95	
9. Shim, head vent - .62" I.D. x .80" O.D. x .175"			
10. O-ring			
a. (-014), .500" ID x .625" OD, Nitrile (each)	50-8270	\$6.95	
5 pack	50-8275	\$9.95	
b. (-012), .375" ID x .500" OD, Viton® 11110 (each)	50-8006	\$6.95	
10 pack	50-8077	\$12.95	
11. Breather fitting (each)	17-0350	\$9.95	
2 pack	17-0355	\$12.95	
12. Crankcase breather vent hose			
a. BT 1984-'92	17-0113	\$7.95	
b. BT 1993-'99	17-0339	\$14.95	
13. Vent hose connector,			
BT 1984-'92	50-8111	\$7.95	
14. Vent hose, with angle cut	17-0365	\$8.95	
15. 90° Elbow fitting (each)	50-8110	\$27.95	
16. Hose fitting	17-0336C-S	\$12.95	
17. Flatwasher, 1/4" #6194, 6245, 6703, 6736, 6228W, 6192each	50-7021	\$6.95	
18. Backplate plug, 1/8"-27 NPT 45830-48			
each	50-8331A	\$7.95	
10 pack	50-1015	\$15.95	
19. Plug, press-in clear plastic	50-8313	\$4.95	
20. Support bracket locknut - 1/4"-28 x 7/8"			
each	50-5010	\$6.95	
21. Support bracket screw - 5/16"-18 x 1 1/4"	50-0110	\$4.95	
22. Lockwasher, 5/16"	50-7032	\$4.95	
23. Support bracket, Air cleaner to head			
BT 1984-'99	17-0311	\$52.95	
24. Rubber tubing - 1/4" x 5/8" x 3'	N/A	-	
25. Wire tie (N/S)	50-8003	\$6.95	
26. Hardware kit, air cleaner mounting (N/S)			
BT 1984-'99	N/A	-	
27. Washer, flat - 3/8" x 7/8" x .146"			
each	50-7053	\$8.95	
28. Carb support bracket -			
BT 1999-up & EFI Softail® 2001	N/A	-	
29. Shim - 1/4" x 3/4" x .200"	50-7024	\$7.95	
30. Screw vent fitting			
a. BT 1993-'99	17-0347	\$23.95	
b. BT 1999-up	17-0345	\$27.95	
31. Screw air cleaner backplate	17-0346	\$10.95	
32. Spring clamps (N/S)	50-8001	\$4.95	
33. Breather cap screw	N/A	-	
34. Breather screw seal			
a. BT 1993-'99, All 2002 EFI BT - Washer .520 (each)	50-7055	\$7.95	
10 pack	50-7057	\$17.95	
b. BT 1999-up, All 2002 EFI BT - Washer .380 (each)	50-7054	\$7.95	
10 pack	50-7059	\$17.95	

FI = fuel injected
(N/S) = Not Shown

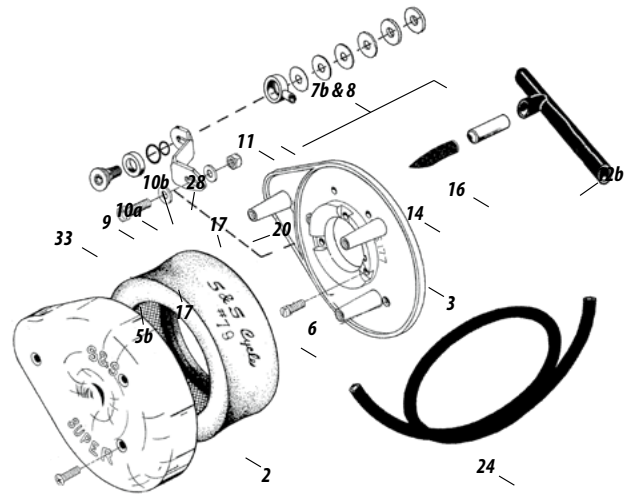
Continued On Next Page

All reference to HD® Part #s is for identification purposes only. We in no way are implying that any of S&S® Cycle's products are original equipment parts or that they are equivalent to the corresponding HD Part # shown.

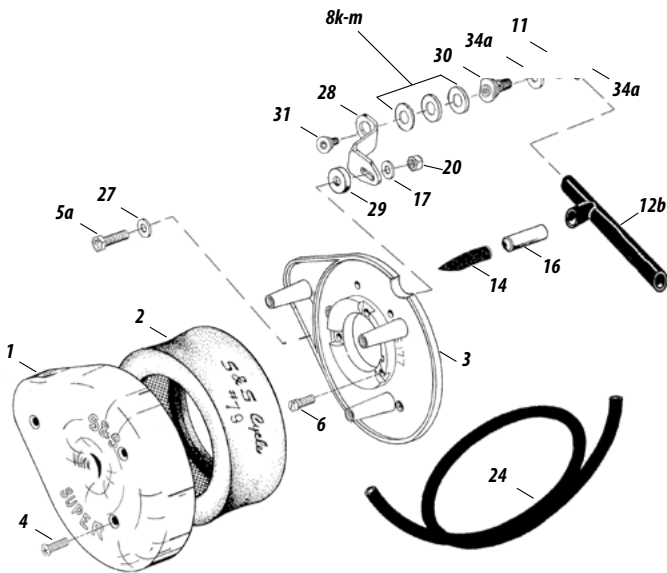
⚠ WARNING: Cancer and Reproductive Harm — www.P65Warnings.ca.gov



1984-'89 BIG TWIN
(WITH BUTTERFLY CARBURETOR) 17-0108



1993-'99 BIG TWIN
(WITH CV CARBURETOR) (OBSOLETE) 17-0100



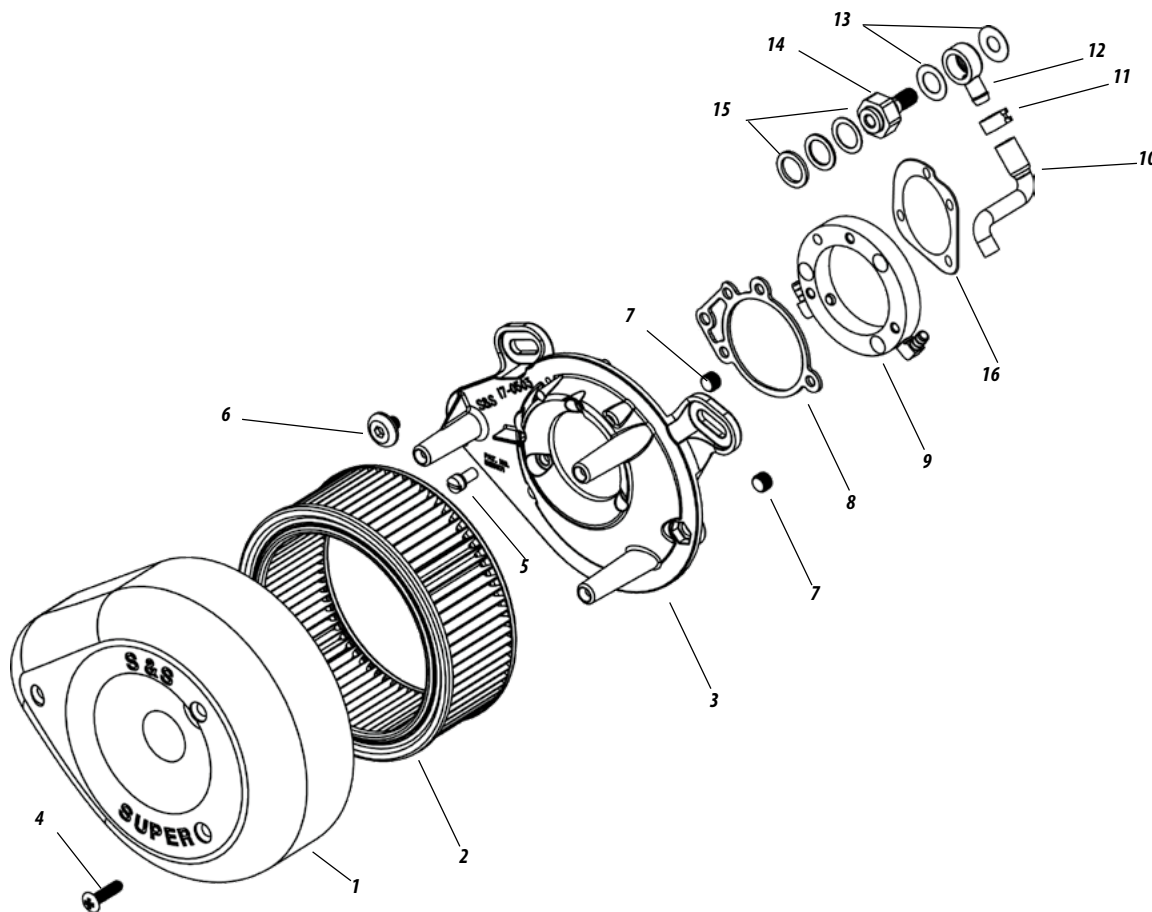
1993-'06 CARBURETED BIG TWIN MODELS,
2001 EFI SOFTAIL® MODELS, AND 2002-UP ALL EFI MODELS (EXCEPT
2006-UP DYNA®) (OBSOLETE)
17-0117



Order 608-627-1497

1993-UP (EXCEPT 2008-UP TOURING MODELS) BT STOCK CV AND DELPHI® SINGLE BORE EFI

1. Air cleaner cover					
Chrome	17-0378±	\$193.95			
Gloss Black	170-0384A	\$193.95			
Slasher	17-0004±	\$193.95			
2. Element, pleated	106-4722	\$30.95			
3. Backplate					
1993-2007 BT	106-0907	\$131.95			
4. Cover screw 1305 (each)	50-0072	\$6.95			
3 pack	50-1052	\$8.95			
10 pack	50-0094	\$13.95			
Black 902 (each)	50-0310-S	\$9.95			
3 pack	50-0310	\$15.95			
5. Backplate screw					
Zinc Plated (each)	106-2084	\$6.95			
10 pack	106-2105	\$12.95			
6. Screw, air cleaner backplate	17-0346	\$10.95			
7. Backplate plug 1/8"-27 45830-48					
each	50-8331A	\$7.95			
10 pack	50-1015	\$15.95			
8. Gasket, backplate (each)	106-1724	\$8.95			
10 pack	106-2328	\$40.95			
9. Adaptor assembly					
1993-'99 bt	106-0881	\$80.95			
10. Hose, vent, breather, formed,					
.250" x .375" x 1.825", 1993-'07 BT	17-0364A	\$10.95			
11. Clamp, spring, 9/16"	50-8001	\$4.95			
12. Banjo fitting (each)	17-0350	\$9.95			
2 pack	17-0355	\$12.95			
13. Washer, silicone coated steel					
1993-up BT, 1/2" (each)	50-7055	\$7.95			
10 pack	50-7057	\$17.95			
1999-up BT, 3/8" (each)	50-7054	\$7.95			
10 pack	50-7059	\$17.95			
14. Breather screw,					
1993-'98 BT	106-0845	\$28.95			
1999-up BT	17-0348	\$16.95			
15. Replacement shims					
5/8" x .025" (each)	50-7113	\$6.95			
10 pack	50-7110	\$12.95			
5/8" x .050" (each)	50-7114	\$6.95			
10 pack	50-7111	\$13.95			
5/8" x .075" (each)	50-7115	\$7.95			
10 pack	50-7112	\$16.95			
16. Backplate Gasket 29062-95B	106-6022	\$8.95			



17-0450±

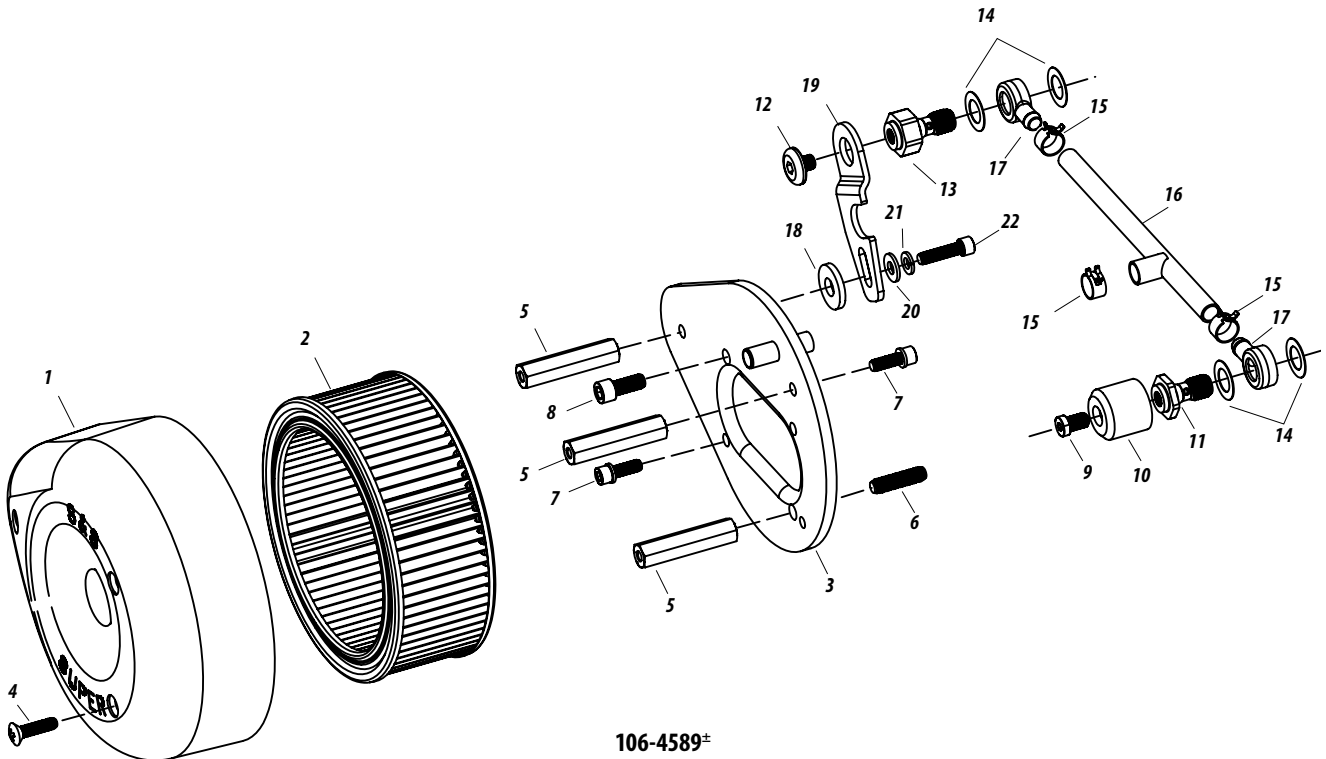
All reference to HD® Part #s is for identification purposes only. We in no way are implying that any of S&S® Cycle's products are original equipment parts or that they are equivalent to the corresponding HD Part # shown.

± WARNING: Cancer and Reproductive Harm - www.P65Warnings.ca.gov

REPLACEMENT PARTS FOR S&S AIR CLEANER FOR MAGNETI MARELLI® EFI 1995-'01 BIG TWIN

1. Cover.....	17-0378±	\$193.95	13. Screw, Breather, +.250" (Rear Head)		
2. Filter.....	106-4722	\$30.95	1995-'98, ½-13 UNC.....	106-0845	\$28.95
3. Backplate, Assembly, Air Cleaner, Stock EFI,			1999-'01.....	17-0348	\$16.95
4. Screw, PHIL/OH ¼-20x1" 1305			14. Washer, flat, Silicone Coated Steel, Cold Rolled Steel		
each.....	50-0072	\$6.95	1995-'98, .520" x .880" x .024"		
3 pack.....	50-1052	\$8.95	each.....	50-7055	\$7.95
10 pack.....	50-0094	\$13.95	10 pack.....	50-7057	\$17.95
5. Spacer, ½" Hex, Threaded.....	N/A		1999-01, .380" x .880" x .024"		
6. Stud, Fully Threaded, ¼-20 x 1.25", Zinc Plated			each.....	50-7054	\$7.95
1995-'98.....	N/A		10 pack.....	50-7059	\$17.95
1999-'01.....	N/A		15. Clamp Spring, ¼"	50-8001	\$4.95
7. SHCS, ¼-20 x ¾" SEMS (each).....	50-0066	\$4.95	16. Hose, Vent Breather,		
8. Screw, SHCS,			Epichlorohydrin Polymer.....	USA 17-0339	\$14.95
1995-'98, ¼-20 x ¾", SEMS 4069A			17. Banjo Fitting (each).....	17-0350	\$9.95
each.....	50-0067	\$7.95	2 pack.....	17-0355	\$12.95
1999-'01, ⅝-18 x ¾" 3275			18. Spacer .406" x .975" x .250" (each).....	50-7140-S	\$24.95
each.....	50-0302-S	\$4.95	19. Bracket, Support, Air Cleaner To Head		
9. Screw, LSHC ⅝-24, x ½" Stainless Steel			Nickel Plated.....	106-1285	\$17.95
Front Head.....	106-2023	\$11.95	20. Washer, Flat, .281" x .625" x .080", Zinc, Steel		
10. Cover, Breather Screw, Front Head			6194, 6245, 6703, 6736, 6228W, 6192 (each).....	50-7021	\$6.95
Chrome, Aluminum.....	106-2022±	\$40.95	21. Washer, Lock, .250" 7035, 7036.....	50-7019	\$4.95
11. Screw, Backplate Vent, Front Head			22. Screw, SHCS, ¼-20 x 1¼" 4740A, 3482A (each).....	50-0008	\$6.95
1995-'98, ½-13.....	17-0347	\$23.95			
1999-01, ⅝-18.....	17-0345	\$27.95			
12. Screw, Backplate, Rear Head, Socket Panhead					
⅝-24 x .360", Zinc, Alloy Steel.....	17-0346	\$10.95			

N/A = No longer available



All reference to HD® Part #s is for identification purposes only. We in no way are implying that any of S&S® Cycle's products are original equipment parts or that they are equivalent to the corresponding HD Part # shown.

± WARNING: Cancer and Reproductive Harm – www.P65Warnings.ca.gov



Order 608-627-1497

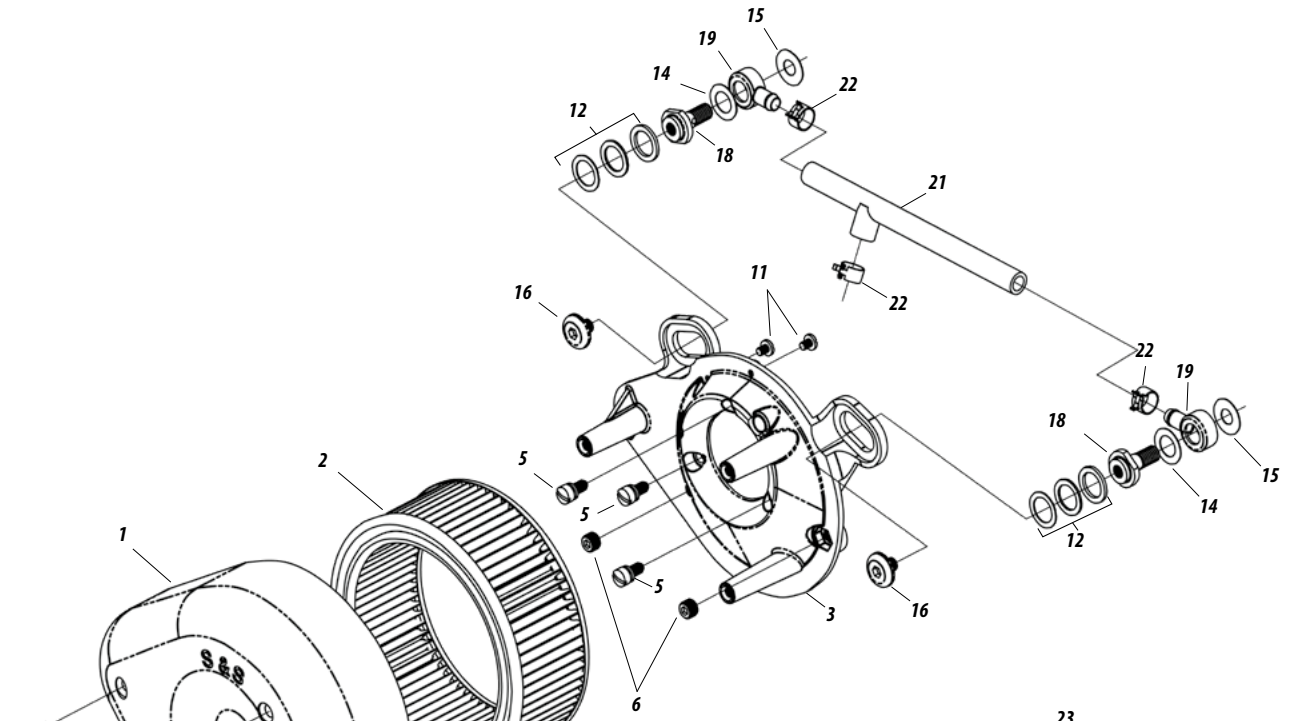
1. Air Cleaner Cover			
Slasher (slotted chrome)	17-0004±	\$193.95	
Chrome	17-0378±	\$193.95	
Gloss Black (includes black screws)	170-0384A	\$193.95	
2. Element, pleated	106-4722	\$30.95	
3. Backplate SBFFI			
BT 1999-up	17-0120	\$101.95	
S&S 4-1/8" bore engines	17-0380	\$131.95	
4. Screw, oval 1/4-20 x 1305 (each)	50-0072	\$6.95	
3 pack	50-1052	\$8.95	
10 pack	50-0094	\$13.95	
5. Backplate screw			
Zinc Plated (each)	106-2084	\$6.95	
10 pack	106-2105	\$12.95	
Black 902 (each)	50-0310-S	\$9.95	
3 pack	50-0310	\$15.95	
6. Pipe plug, 1/8, air cleaner backplate (each)	50-8331A	\$7.95	
10 pack	50-1015	\$15.95	
7. Mounting bracket bolt, hex 5/16-18 x 1 1/4	50-0110	\$4.95	
8. Flat washer, 5/16" x 1/16" 6320, 70907-07, 6016, 6702	50-7034	\$4.95	
9. Shim, .850" x .325" x .400"	USA 50-7027	\$9.95	
10. Shim kit for 4 1/8" bore	17-0314	\$15.95	
Individual shims:			
5/16" x .018" (each)	50-7038	\$6.95	
5/16" x .030" (each)	50-7039	\$6.95	
5/16" x .048" (each)	USA 50-7040	\$6.95	
5/16" x .105" (each)	50-7041	\$7.95	
5/16" x .125" (each)	50-7042	\$7.95	
11. Screw, cable guide & air cleaner backplate			
10-24 x 1/4" (each)	50-0041	\$6.95	
10 pack	50-0062	\$9.95	
12. Shims, individual			
5/8 x 7/8 x .025 (each)	50-7113	\$6.95	
10 pack	50-7110	\$12.95	
5/8 x 7/8 x .050 (each)	50-7114	\$6.95	
10 pack	50-7111	\$13.95	
5/8 x 7/8 x .075 (each)	50-7115	\$7.95	
10 pack	50-7112	\$16.95	
14. Silicone washer, 1/2" ID (each)	50-7055	\$7.95	
10 pack	50-7057	\$17.95	
15. Silicone washer, 3/8" ID (each)	50-7054	\$7.95	
10 pack	50-7059	\$17.95	
16. Screw, wide head, 5/16-24 x .36	17-0346	\$10.95	
17. Air cleaner hardware kit (N/S)			
BT 1999-up	17-0482	\$27.95	
S&S 4-1/8" bore engines	17-0481	\$40.95	
18. Breather vent fitting			
BT 1993-'99	17-0347	\$23.95	
19. Breather fitting (each)	17-0350	\$9.95	
2 pack	17-0355	\$12.95	
20. Check Valve	50-8122	\$16.95	
21. Hose, Vent Breather, Epichlorohydrin Polymer	17-0339	\$14.95	
22. Clamp Spring, 9/16"	50-8001	\$4.95	
23. Breather hardware for 4 1/8" bore	31-2104	\$61.95	
(Not included in air cleaner kit)			
24. Clamp, Spring, .660"	50-8076-S	\$4.95	
25. Hose one	50-8263-S	\$17.95	
26. Hose two	50-8262-S	\$21.95	
27. Clamp, Spring, .440"	50-8143-S	\$4.95	
28. Hose, Cut To Size, .1875" x 6", Black, Rubber	50-8142AS	\$9.95	

(N/S) = Not Shown

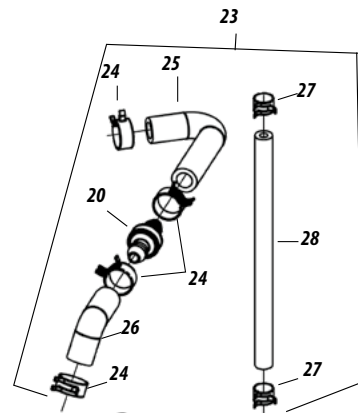
NOTE: Breather hardware not included in these air cleaner kits.

All reference to HD® Part #s is for identification purposes only. We in no way are implying that any of S&S® Cycle's products are original equipment parts or that they are equivalent to the corresponding HD Part # shown.

± WARNING: Cancer and Reproductive Harm – www.P65Warnings.ca.gov



**1995 1/2-'99 Big Twin
Teardrop Air Cleaner Kit...17-0498±
Slasher Air Cleaner Kit...17-0497±**



**S&S 41/8" Bore Engines
Slasher Air Cleaner Kit ...17-0496**

± WARNING: Cancer and Reproductive Harm — www.P65Warnings.ca.gov



For 1984-'99 Big Twins

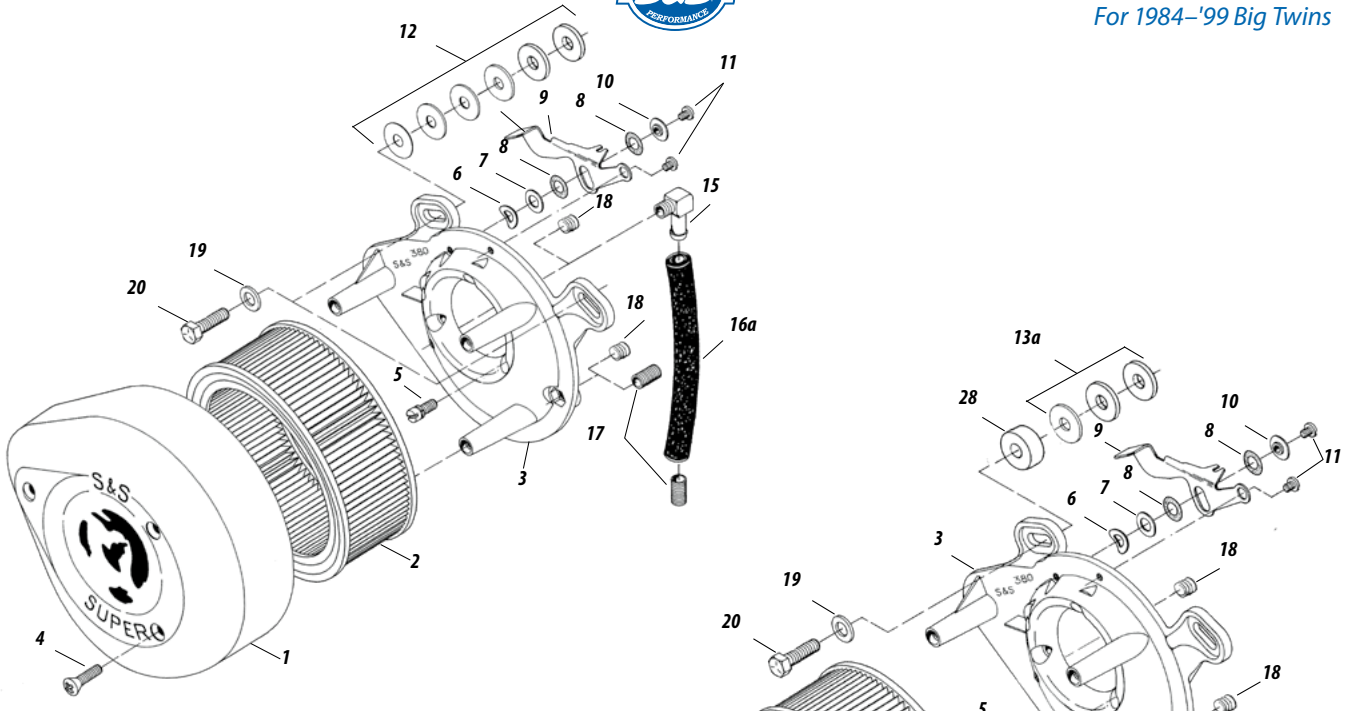
Order 608-627-1497

1. Air cleaner cover –			
Chrome	17-0378±	\$193.95	
Gloss Black	170-0384A	\$193.95	
Slasher	17-0004±	\$193.95	
2. Element, pleated	106-4722	\$30.95	
3. Backplate			
BT 1993-'99	17-0336	\$131.95	
BT 1984-'92, S&S 4 1/8" bore Manufactured			
Prior to 1-1-03	17-0380	\$131.95	
4 1/8" Bore – Manufactured			
After 1-1-03	17-0387	\$131.95	
4. Cover screw 1305 (each)	50-0072	\$6.95	
3 pack	50-1052	\$8.95	
10 pack	50-0094	\$13.95	
Black 902	50-0310-S	\$9.95	
3 pack	50-0310	\$15.95	
TUV style (each)	50-0347-S	\$7.95	
5. Backplate screw, Zinc (each)	106-2084	\$6.95	
10 pack	106-2105	\$12.95	
6. Fast idle friction washer (each)	50-7035	\$6.95	
10 pack	50-7058	\$11.95	
7. Fast idle steel washer (each)	50-7037	\$6.95	
10 pack	50-7061	\$8.95	
8. Fast idle nylon washer (each)	50-7036	\$6.95	
10 pack	50-7060	\$8.95	
9. Fast idle lever	17-0329	\$14.95	
10. Fast idle brass washer (each)	50-7007±	\$7.95	
10 pack	50-7010±	\$17.95	
11. Fast idle lever screw (one required for current backplate) (each)	50-0041	\$6.95	
10 Pack	50-0062	\$9.95	
12. Shim kit			
BT 1984-'92	17-0314	\$15.95	
(Includes two each 3/16" x .018", 3/16" x .030", 3/16" x .048", 3/16" x .105",			
and four each 3/16" x .125")			
BT 1993-'99	17-0464	\$23.95	
(Includes two each 1/2" x .018", 1/2" x .030", 1/2" x .048", 1/2" x .105",			
and four each 1/2" x .125")			
13. Shims			
a. BT 1984-'92, S&S 4 1/8" Bore			
3/16" x .018" (each)	50-7038	\$6.95	
3/16" x .030" (each)	50-7039	\$6.95	
3/16" x .048" (each)	50-7040	\$6.95	
3/16" x .105" (each)	50-7041	\$7.95	
3/16" x .125" (each)	50-7042	\$7.95	
b. BT 1993-'99			
3/8" x .025" (each)	50-7113	\$6.95	
10 pack	50-7110	\$12.95	
3/8" x .050" (each)	50-7114	\$6.95	
10 pack	50-7111	\$13.95	
3/8" x .075" (each)	50-7115	\$7.95	
10 pack	50-7112	\$16.95	
14. Elbow fitting (each)	50-8110	\$27.95	
15. Breather fitting (each)	17-0350	\$9.95	
2 pack	17-0355	\$12.95	
16. Crankcase breather hose			
a. BT 1984-'92	17-0113	\$7.95	
b. BT 1993-'99	17-0339	\$14.95	
17. Vent hose connector	50-8111	\$7.95	
18. Backplate plug 1/8"-27(each)	50-8331A	\$7.95	
10 pack	50-1015	\$15.95	
19. Flatwasher – 5/16" x 1/16" 6320, 70907-07, 6016, 6702	50-7034	\$4.95	
20. Mounting bracket bolt – 5/16"-18 x 1 1/4"			
1984-'92, S&S 4 1/8" Bore	50-0110	\$4.95	
21. Wire tie (N/S)	50-8003	\$6.95	
22. Hose clamp (N/S)	50-8002	\$7.95	
23. Air cleaner assembly			
Includes: Chrome cover, backplate, filter element, and hardware kit.			
BT 1984-'92	17-0399±	\$316.95	
BT 1993-'99	17-0404±	\$316.95	
BT 1984-'05, 4 1/8" Bore	17-0416±	\$316.95	
24. Mounting hardware package (N/S)			
Includes all parts needed to install following style air cleaners:			
BT 1984-'92	17-0458±	\$61.95	
BT 1993-'99	17-0436±	\$71.95	
BT 1984-'05, 4 1/8" Bore	17-0460±	\$40.95	
25. Screw vent fitting, BT 1993-'99	17-0347	\$23.95	
26. Screw, air cleaner to head	17-0346	\$10.95	
27. Washer, .520" silicone coated steel, BT 1993-'99 (each)	50-7055	\$7.95	
10 pack	50-7057	\$17.95	
28. Shim, .850" x .325" x .400"			
S&S 4 1/8" Bore	50-7027	\$9.95	
29. Spring clamps (N/S)	50-8001	\$4.95	
30. Thread insert 1/2"-13 to 5/16"-18 (N/S) (Used on 1992 big twins)	50-8151	\$11.95	
31. Breather conversion kit BT (N/S)	17-0486	\$51.95	
Convert early S&S air cleaners for 1993-'99 BT with o-ring breather fittings to new style breather hardware.			

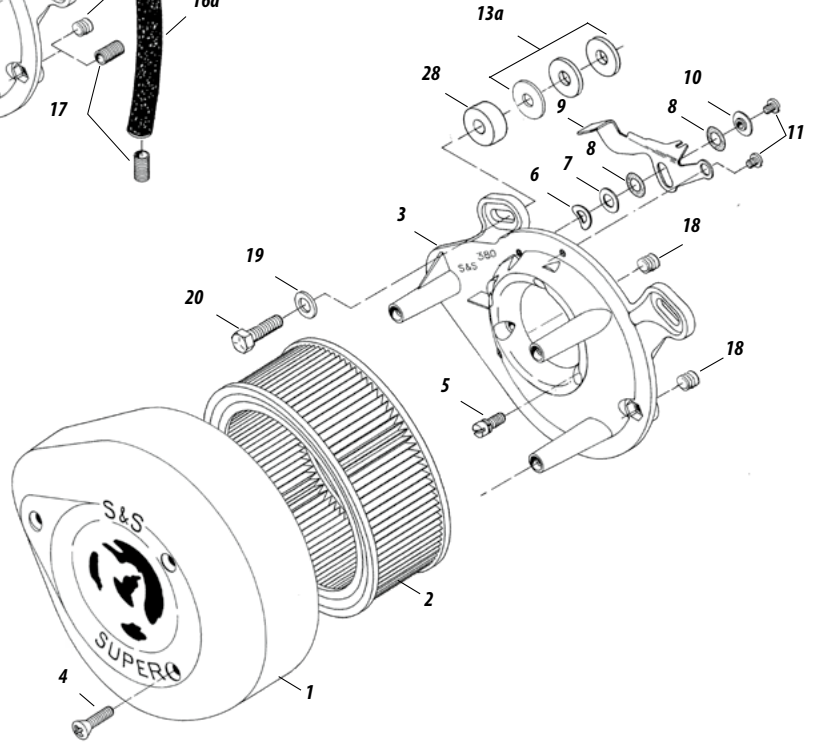
(N/S)= Not Shown

All reference to HD® Part #s is for identification purposes only. We in no way are implying that any of S&S® Cycle's products are original equipment parts or that they are equivalent to the corresponding HD Part # shown.

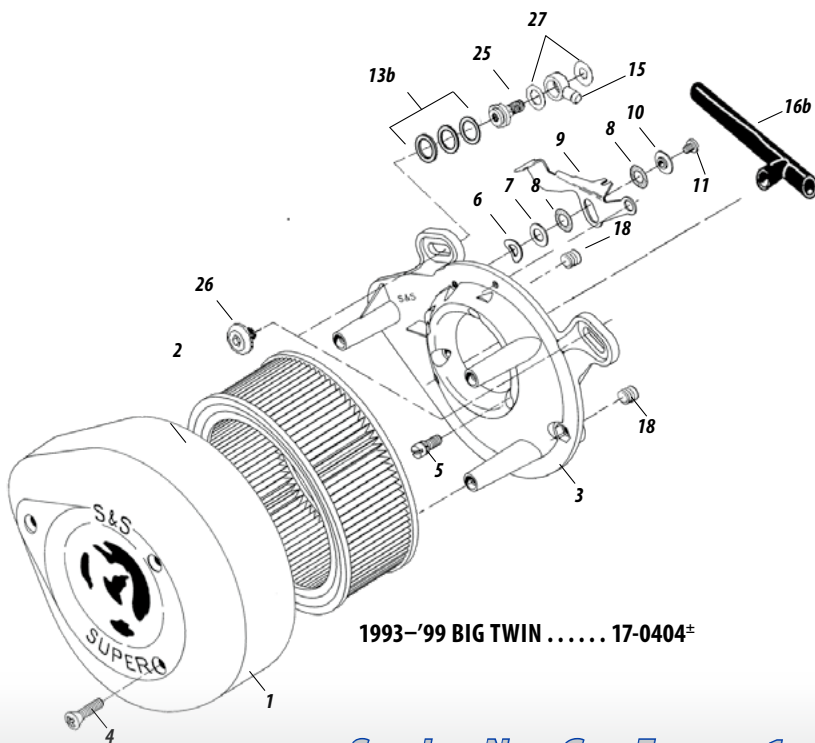
± WARNING: Cancer and Reproductive Harm – www.P65Warnings.ca.gov



1984-'92 BIG TWIN 17-0399±



1984-'05 BIG TWIN 1/8" BORE 17-0416±

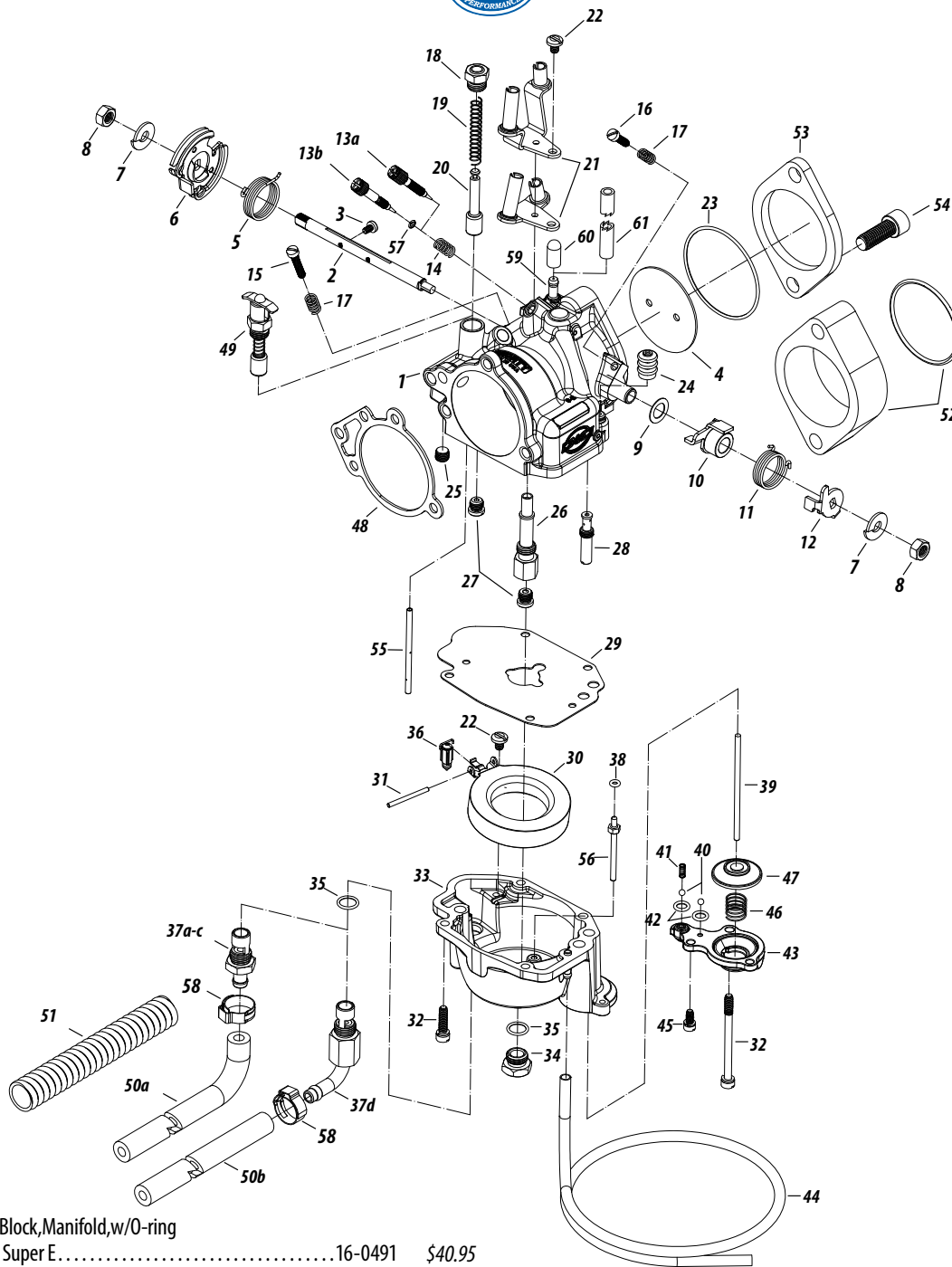


1993-'99 BIG TWIN 17-0404±



Order 608-627-1497

1. Carb body assembly				28. Intermediate Jets – See PAGE 54	
1 7/8" Super E	11-2381±	\$305.95		Series #94 fits all Super 1 7/8", 2 1/16", 2 1/4" gas carburetors.	
2 1/16" Super G	11-2391±	\$376.95			
2. Throttle shaft				29. Bowl gasket (each)	11-2386 \$8.95
1 7/8" Super E – Includes two plate screws	11-2383	\$31.95		10 Pack	11-2387 \$40.95
2 1/16" Super G – Includes two plate screws	11-2483	\$28.95		30. Float	11-2187 \$28.95
3. Throttle plate screw 11-2045- (two required) (each)	50-0055-S	\$6.95		31. Float pin (each)	11-2369 \$7.95
10 pack	50-0064	\$14.95		5 pack	11-2370± \$12.95
4. Throttle plate				32. Bowl screw	
1 7/8" Super E	11-2055	\$16.95		10-24 x 3/4" – Three required (each)	50-0034 \$6.95
2 1/16" Super G	11-2355	\$21.95		10 Pack	50-0063 \$19.95
5. Throttle return spring (each)	11-2382	\$7.95		10-24 x 2 3/8" – One required (each)	50-0040 \$6.95
5 Pack	11-3502	\$12.95		10 Pack	50-0061 \$14.95
6. Throttle spool	11-2385	\$23.95		33. Carb bowl (only)	11-2388± \$92.95
7. Throttle shaft lock washer (two required)	50-7031	\$6.95		Carb bowl complete assembly	11-2388P \$214.95
8. Throttle shaft nut (two required) (each)	11-2350	\$7.95		34. Bowl plug (each)	11-2090 \$10.95
5 pack	11-2363	\$12.95		5 pack	11-2092± \$53.95
9. Throttle shaft nylon washer (each)	50-7050	\$6.95		35. Seat o-ring* (required with part #11-2465 only when replaces 360° style fuel inlet.)	
10 pack	50-7072	\$12.95		each	50-8009 \$6.95
10. Pump actuator lever	11-2376	\$14.95		10 Pack	50-8095 \$19.95
11. Actuator spring (each)	11-2375-S	\$6.95		36. Needle	
5 pack	11-3501	\$14.95		1 7/8" Super E & 2 1/16" Super G	11-2195± \$19.95
12. Pump actuator arm	11-2377	\$8.95		Racing only	11-2197± \$81.95
13. Idle mixture screw				37. Seat – Includes O-ring #35	
a. Idle mixture screw, brass (each)	11-2354±	\$14.95		(Replaces obsolete seats 11-2347 and 11-2348)	
5 pack	11-2378±	\$60.95		a. 1 7/8" E & 2 1/16" G (Uses part #11-2195± needle)	11-2465 \$18.95
b. Idle mixture screw only				b. Racing only (Uses part #11-2197± needle)	N/A –
each	110-0003	\$16.95		c. Racing only – threaded fuel inlet (6AN.157" ID)	
Idle mixture screw w/500-0036 o-ring				(Uses part #11-2195± needle)	11-2395 \$50.95
each	110-0068±	\$17.95		d. Permeation Compliant fuel inlet seat Super E or G	
5 pack	110-0069±	\$70.95		(Uses part #11-2195± needle)	106-2011 \$40.95
14. Idle mixture screw spring (each)	11-2052	\$4.95		38. Ejector nozzle o-ring (each)	50-8011 \$7.95
10 Pack	11-2060	\$12.95		10 Pack	50-8096 \$13.95
15. Idle speed screw (each)	50-0038	\$6.95		39. Pump pushrod (each)	11-2373 \$11.95
10 Pack	50-0150	\$13.95		5 pack	11-2393 \$40.95
16. Pump adjustment screw (each)	50-0039	\$6.95		40. Check ball – (two required) (each)	50-8090 \$6.95
10 Pack	50-0146	\$9.95		10 Pack	50-8125 \$10.95
17. Idle speed/pump adjuster spring (each)	11-2048	\$4.95		41. Check ball spring (each)	11-2374 \$6.95
10 Pack	11-2053	\$12.95		5 pack	11-2392 \$14.95
18. Plunger nut (each)	11-2344±	\$8.95		42. Pump cap o-ring – (two required) (each)	50-8012 \$6.95
5 pack	11-2372±	\$19.95		10 Pack	50-8100 \$16.95
19. Plunger spring (each)	11-2340	\$6.95		43. Pump cap assembly	11-2389 \$40.95
10 Pack	11-2359	\$15.95		44. Overflow hose per 24" 27369-76 (each)	19-0262-S \$10.95
20. Fast idle plunger	11-2343	\$19.95		5 pack	19-0263 \$40.95
21. Cable guide assembly with screw				45. Pump cap screw 8-32 – (two required) (each)	50-0042 \$6.95
Use with butterfly style cables	11-2339P	\$40.95		10 Pack	50-0098 \$10.95
Use with constant velocity style cables	11-2338P	\$40.95		46. Diaphragm spring (each)	11-2275 \$7.95
22. Cable clamp/float pin screw (each)	50-0041	\$6.95		10 Pack	11-2278 \$13.95
10 Pack	50-0062	\$9.95		47. Diaphragm	11-2282 \$21.95
23. O-ring				48. Gasket, backplate (each)	106-1724 \$8.95
1 7/8" Super E (each)	50-8016	\$6.95		10 Pack	106-2328 \$40.95
10 Pack	50-8094	\$14.95		49. Enrichment device (Use with air horn only)	11-2084± \$40.95
2 1/16" Super G (each)	50-8015	\$7.95		50. Fuel line"	
10 Pack	50-8093	\$15.95		a. Fuel line With 90° bend*19" (Use with part #11-2465)	N/A –
24. Bellows seal (each)	11-2266	\$9.95		b. Permeation Compliant straight, 311" x .563" x 17.5"	
5 pack	11-2279	\$24.95		(Use with part #106-2011, 90° seat)	190-0001 \$13.95
25. Bowl vent plug (each)	50-0105	\$6.95		51. Fuel line insulator – 12" USA 1,2,3	19-0172 \$40.95
10 Pack	50-0151	\$11.95		52. Spacer, Kit, w/O-ring	
26. Main discharge tube	11-2085±	\$17.95		1 7/8" x 1"	16-0057* \$81.95
27. Main jet – See PAGE 54				2 1/16" x 1"	16-0357* \$91.95
				2 1/4" x 1"	16-0157* \$91.95
				*Use with 1" Spacer Block	16-0058 \$171.95



53. Insulator Block,Manifold,w/O-ring			
1 7/8" x 1/4" Super E.....	16-0491	\$40.95	
1 7/8" x 3/8" Super E.....	16-0497	\$40.95	
2 1/6" x 1/4" Super G.....	16-0492	\$40.95	
2 1/6" x 3/8" Super G.....	16-0498	\$41.95	
54. Screw			
1" x 3/8"-16 (each).....	50-0161	\$4.95	
1 1/4" x 3/8"-16 (each).....	50-0162	\$6.95	
10 Pack.....	50-0177	\$15.95	
1 3/8" x 3/8"-16 (each).....	50-0163	\$8.95	
5 pack.....	50-0178	\$16.95	
2" x 3/8"-16 (each).....	50-0164	\$7.95	
5 pack.....	50-0185	\$20.95	
55. Tube,Fast Idle Pick-Up,Super E/G,.125" x 2.350",Brass	0381F±	\$10.95	
56. Tube,Ejector Nozzle,Super E/G,Flared,Brass	106-6124±	\$14.95	
57. O-ring, 3mm x 5mm x 1mm (each)	500-0036	\$6.95	
10 Pack.....	500-0148	\$12.95	
58. Clamp, 5/8" - 7/8".....	50-8002	\$7.95	
59. Hose, Fitting straight, .040".....	16-0134	\$8.95	
60. VOES Fitting Cap.....	50-8372	\$6.95	
61. VOES/Oil Return Hose	19-0395	\$8.95	

± ⚠️ WARNING: Cancer and Reproductive Harm — www.P65Warnings.ca.gov

*360° banjo style fuel inlet fitting used on early S&S E&G carbs is no longer available. Replace with one of the inlet/seat fittings listed under #37 on this page. We highly recommend inlet/seat #106-2011.

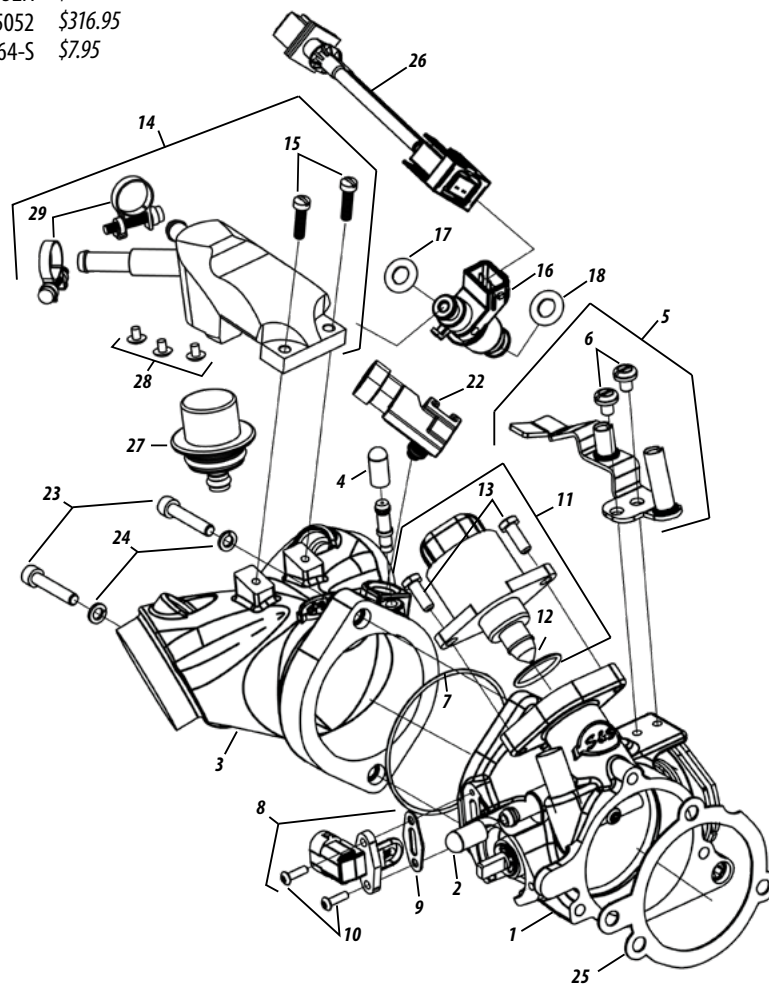
➔ CARBURETOR REBUILD KITS PAGE 55



Order 608-627-1497

- | | | | | |
|---|-----------|---|-----------|----------|
| 1. Throttle body
52mm 1995-'99.....16-5101 | \$438.95 | 18. O-ring, injector bottom, orange | 50-8265-S | \$7.95 |
| 2. Cap, canister purge (each) | 50-8266-S | 20. Screw, TP sensor & fuel rail (each)..... | 50-0358-S | \$4.95 |
| 3. Manifold (See PAGE 51) | | 23. Screw, throttle body to manifold (each)..... | 50-0359-S | \$4.95 |
| 4. Cap, rubber, manifold, fitting | 50-8372 | 24. Washer, lock, .200" x .334" x .047", Stainless Steel | | |
| 5. Throttle cable guide packet with hardware..... | 55-5084 | Throttle body to manifold | 50-7000 | \$4.95 |
| 6. Screw, cable guide & air cleaner backplate (each) | 50-0041 | 25. Gasket, backplate | | |
| 10 Pack | 50-0062 | 52mm (each) | 106-1724 | \$8.95 |
| 7. O-ring, throttle body to manifold | 50-7967-S | 10 Pack | 106-2328 | \$40.95 |
| 8. Intake air temperature sensor packet with hardware | | 58mm (each) | 106-4662 | \$10.95 |
| 27270-95..... | 55-5041± | 26. Harness, injector adapter kit, 1995-'99 | 55-5074 | \$25.95 |
| 9. Gasket, IAT | 16-5009-S | 27. Pressure regulator, 1995-'99 | 16-5297 | \$112.95 |
| 10. Screw, M3, IAT | 50-0357-S | 28. Screw, pressure regulator, 6-32 x 3/16", 1995-'99 | 50-0279-S | \$4.95 |
| 11. Idle air control motor SS EFI packet with hardware - 1995-'99 | | 29. Clamps, Hose, 1/2" diameter, smooth, 1995-'99..... | 50-8352 | \$8.95 |
| 27628-01, 27628-01A | 55-5085± | 30. Plug, assembly, MAP sensor hole, 1995-'99 (N/S) | 50-8350 | \$19.95 |
| 12. O-ring, IAC | 50-8149-S | 31. O-ring, MAP plug, 1995-'99 (N/S) (each)..... | 50-8133-S | \$4.95 |
| 13. Screw, 10-24, IAC, 1995-'99 | | | | |
| each | 50-0356-S | | | |
| 14. Fuel rail kit | | | | |
| 1995-'99 (Fuel inlet tube included) (N/S) | 16-5207 | | | |
| 15. Screw, rail, 1995-'99 (each) | 50-0039 | | | |
| 10 Pack | 50-0146 | | | |
| 16. Fuel injector | | | | |
| 1 pack | 55-5052A | | | |
| 2 pack | 55-5052 | | | |
| 17. O-ring, injector top, black | 50-8264-S | | | |

(N/S)= Not Shown



± WARNING: Cancer and Reproductive Harm – www.P65Warnings.ca.gov

All reference to HD® Part #s is for identification purposes only. We in no way are implying that any of S&S® Cycle's products are original equipment parts or that they are equivalent to the corresponding HD Part # shown.



1. Right 4.5" Muffler assembly for 1995–2016 models			
Black	551-1264	\$346.95	
Chrome	551-1265	\$346.95	
2. Left 4.5" Muffler assembly for 1995–2016 models			
Black	551-1266	\$346.95	
Chrome	551-1267	\$346.95	
3. dB reducer	551-1274	\$34.95	
4. End Cap			
Black Thruster	551-1337	\$65.95	
Chrome Thruster	551-1338	\$163.95	
Black Highlight Machine Tracer	551-1645	\$132.95	
Chrome Tracer	551-1646	\$183.95	
Black Cutlass	551-1339	\$61.95	
5. Screw, SHC, High Temp Lock Patch, 10-32 x 3/4", Stainless Steel			
	500-0569	\$4.95	

Not Shown:

Hardware kit, muffler clamps and screws

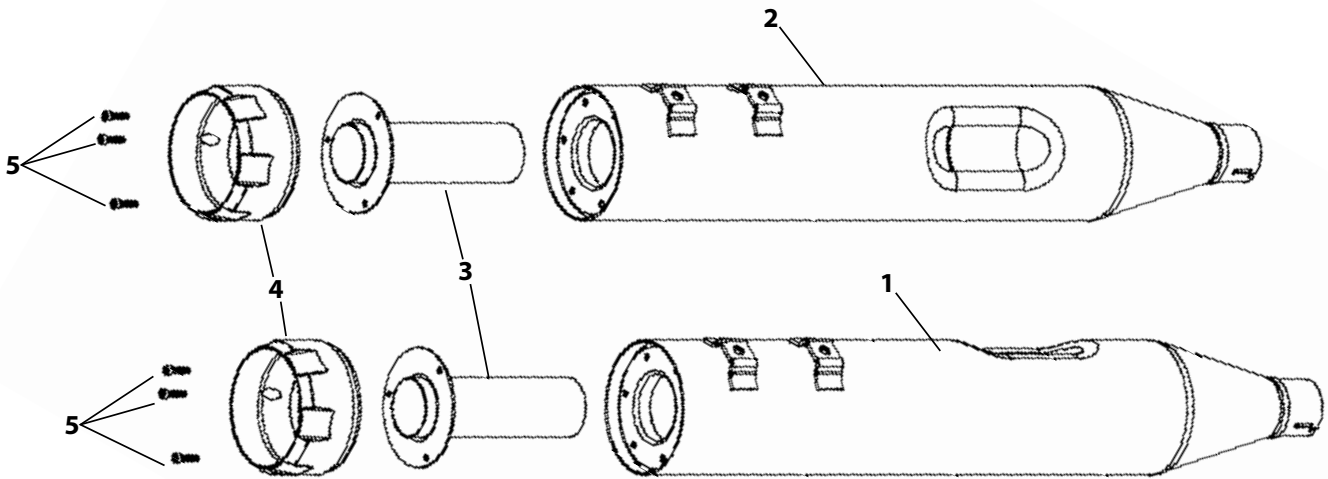
Left	551-1443	\$12.95
Right	551-1444	\$13.95

Baffle

Left	551-1345	\$80.95
Right	551-1346	\$71.95

Insulation	551-0003	\$31.95
------------------	----------	---------

Baffle Retaining Screw	500-0441	\$4.95
------------------------------	----------	--------

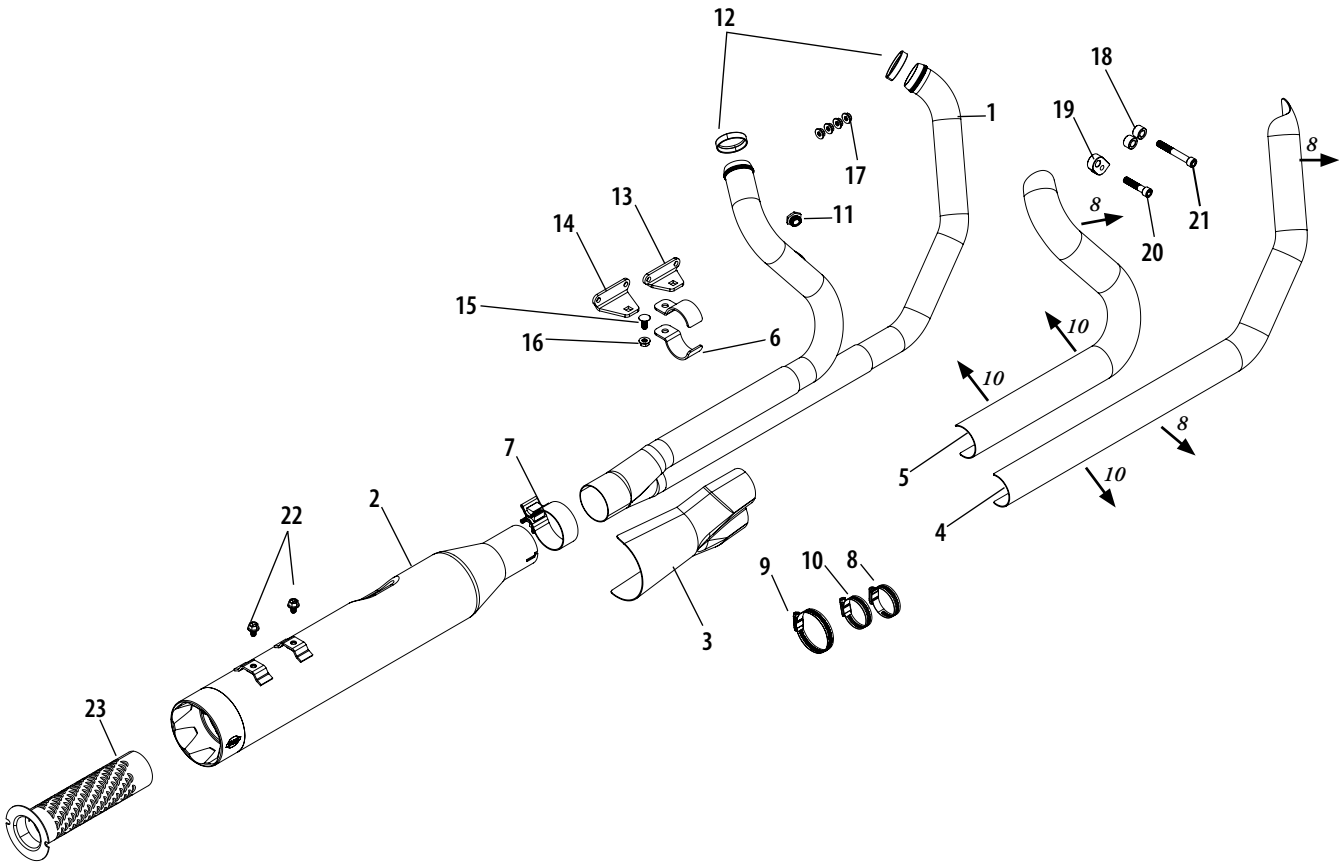


± ⚠️ WARNING: Cancer and Reproductive Harm – www.P65Warnings.ca.gov



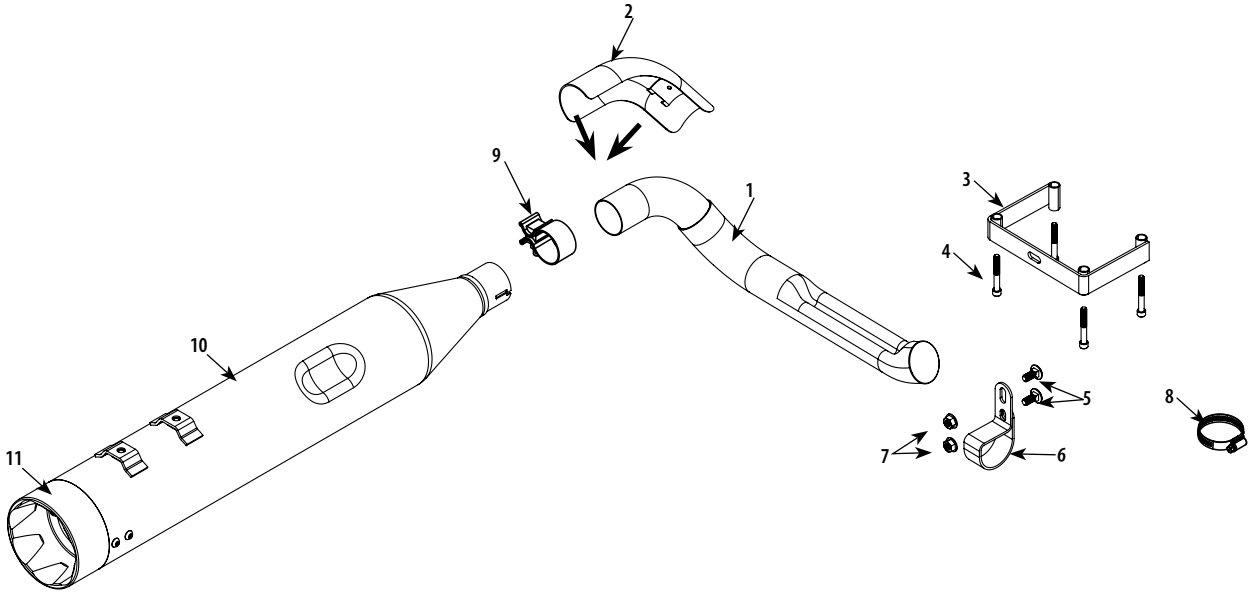
Order 608-627-1497

- | | | | |
|--|------------|--|---------|
| 1. Header, Assembly, 2 into 1, Sidewinder™, Weldment, 1995-'16 Touring Models551-0705 | \$346.95 | 10. Clamp, hose, worm drive, SAE #24 (qty. 3) 500-0791 | \$4.95 |
| 2. Muffler, Street Legal
Chrome 551-0529D± | \$1,079.95 | 11. Adapter, oxygen sensor, 12mm to 18mm, stainless steel 550-0375 | \$14.95 |
| Black 551-0530D± | \$1,009.95 | 12. Gasket, exhaust, tapered, stainless steel,
1984-up bt, 1986-up xl 65324-83B, 65324-83A 106-5029 | \$7.95 |
| 3. Collector, heat shield,
Chrome 551-0379± | \$132.95 | 13. Bracket, header mount, 2-1, powdercoated, black,
2007-'16 touring models 551-0719 | \$19.95 |
| Black 551-0381A± | \$142.95 | 14. Bracket, header mount, 2-1, powdercoated, black,
1995-'06 touring 551-0786 | \$19.95 |
| 4. Heat shield, front, 2-1, Sidewinder®, chrome, 1995-'16 touring models
Chrome 551-0709± | \$244.95 | 15. Bolt, carriage, 5/16-18 x 3/4" 500-0555 | \$4.95 |
| Black 551-0715A± | \$295.95 | 16. Nut, HSFH, 5/16-18 unc-2b x .283", Zinc, steel 50-5053-S | \$4.95 |
| 5. Heat shield, rear, 2-1, Sidewinder®, chrome, 1995-2016 touring models
Chrome 551-0712± | \$197.95 | 17. Nut, HSFH, 5/16-24 unf-2b x .283", Zinc, steel 7593 50-5025-S | \$4.95 |
| Black 551-0717A± | \$214.95 | 18. Washer, Spacer, Floor Board 551-0401 | \$11.95 |
| 6. Clamp, header mount, 2-1, chrome plate, mild steel, 11 gauge,
(Requires 2) 551-0361 | \$10.95 | 19. Spacer, floor board, powdercoated, black 551-0399 | \$50.95 |
| 7. Clamp, muffler, band style, 2.5" 551-0135 | \$15.95 | 20. Screw, shc, 3/8-16 x 1-3/4", zinc, steel 500-0789 | \$4.95 |
| 8. Clamp, hose, worm drive, SAE #20 (qty. 3) 551-0527 | \$4.95 | 21. Screw, shc, 3/8-16 x 2-3/4", zinc, steel 500-0790 | \$4.95 |
| 9. Clamp, hose, worm drive, SAE #40 551-0402 | \$6.95 | 22. Screw, hh, flg, serrated, 5/16-18 x 1/2" 500-0744 | \$4.95 |
| | | 23. dB reducer 551-0026 | \$28.95 |



± WARNING: Cancer and Reproductive Harm – www.P65Warnings.ca.gov

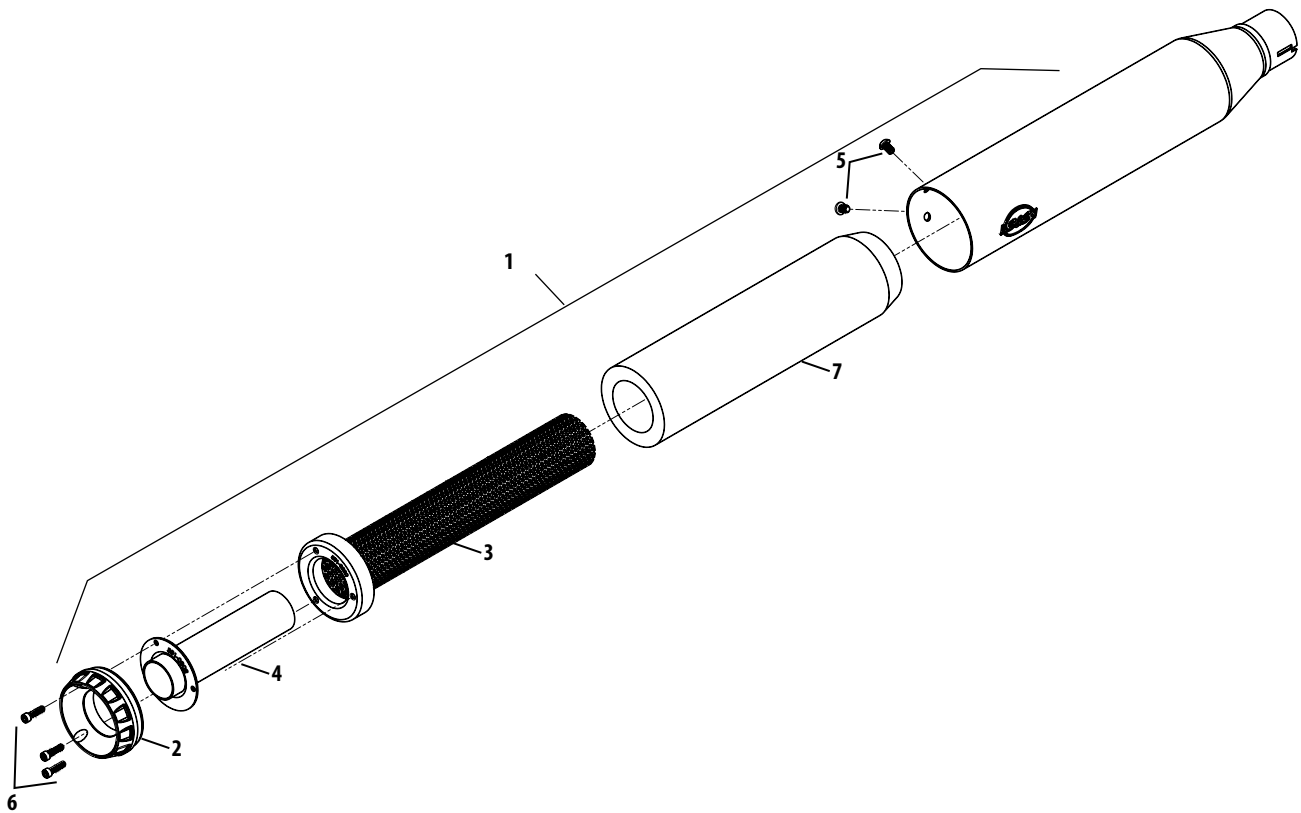
- | | | |
|--|-----------|----------|
| 1. Tube, crossover, power tune dual, Weldment,
1995-2008 Touring (1 Req) | 551-0996 | \$82.95 |
| 2. Shield, left, power tune dual, 1995-2016 Touring (1 Req)
Chrome | 551-0115 | \$71.95 |
| Black | 551-0116 | \$71.95 |
| 3. Bracket, Assembly, Transmission, Pan, Power Tune Dual,
1995-2008 Touring (1 Req) | 551-0126 | \$50.95 |
| 4. Screw, SHC, 1/4-20 x 17/8", Zinc Plated (4 Req) | 500-0641 | \$4.95 |
| 5. Bolt, carriage, 5/16"-18 x 3/4" | 500-0555 | \$4.95 |
| 6. Clamp, P-Style, Crossover, Power Tune Dual Header,
1995-2008 Touring (1 Req) | 551-0120 | \$13.95 |
| 7. Nut, Flanged, Serrated, 5/16"-18 (2 Req) | 50-5053-5 | \$4.95 |
| 8. Clamp, Hose, Worm Drive, #20 (2 Req) | 551-0527 | \$4.95 |
| 9. Band style clamp | 551-0977 | \$9.95 |
| 10. Muffler shell
Chrome | 551-1673 | \$356.95 |
| Black | 551-1672 | \$356.95 |
| 11. End Cap | 551-1341 | \$119.95 |





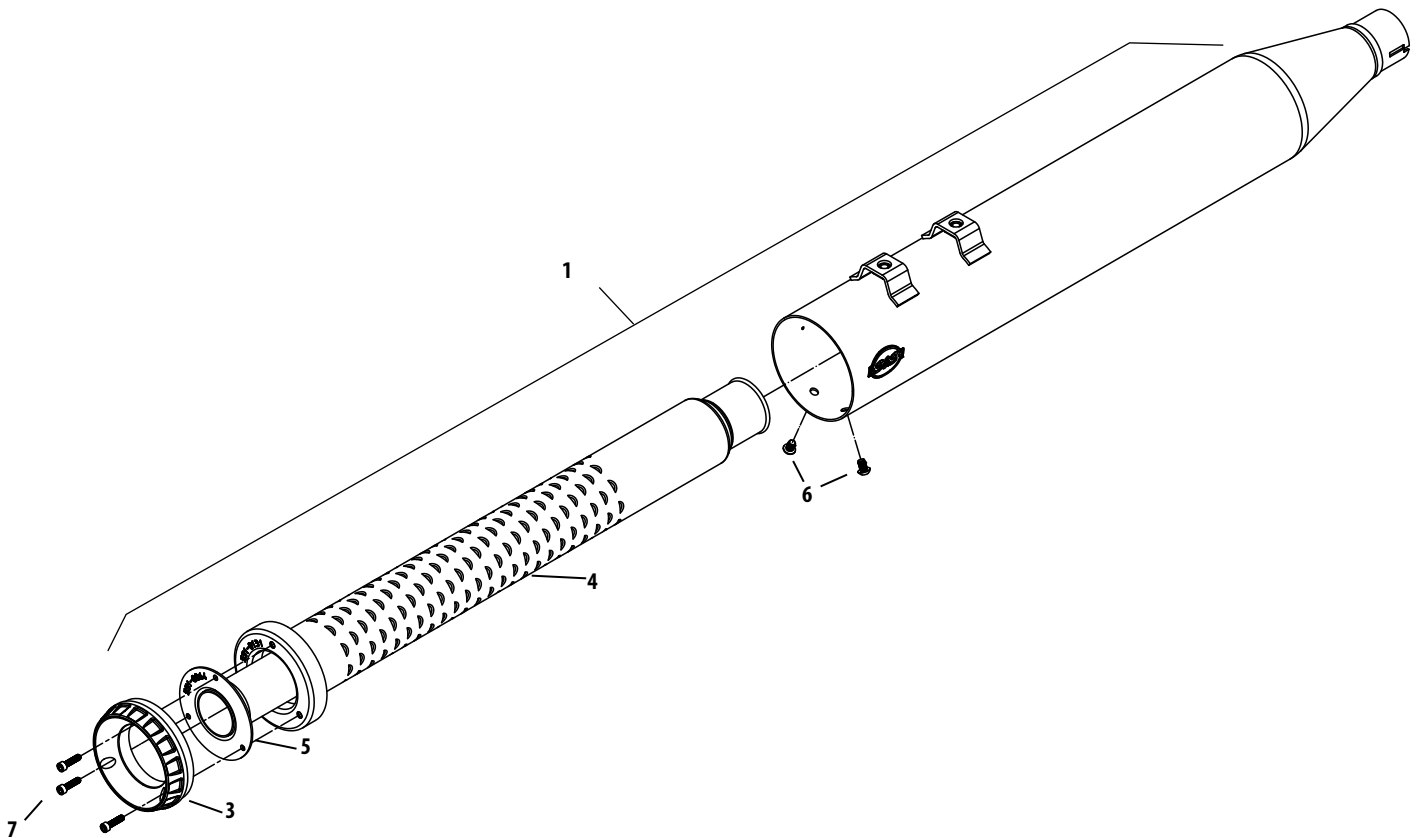
Order 608-627-1497

- 1. Muffler Assembly Front or Rear
 Grand National, Chrome.....551-0314 \$356.95
 Grand National, Black.....551-0317 \$356.95
- 2. End Cap.....551-0292 \$30.95
- 3. Main Baffle Assembly.....551-0299 \$50.95
- 4. dB Reducer Baffle.....551-0304 \$29.95
- 5. Button head cap screw, Stainless, 1/4"-20x3/8"
 (Hold Main baffle assy to muffler shell)..... 500-0441 \$4.95
- 6. Socket head cap screw, Stainless, 10-32x3/4"
 (Hold End Cap to main baffle assy)..... 500-0569 \$4.95
- 7. Insulation, Muffler, Pillow Pack.....551-0305 \$24.95



± WARNING: Cancer and Reproductive Harm – www.P65Warnings.ca.gov

1. 4" Muffler assembly with Grand National end cap
 - Left, Chrome551-0055± \$346.95
 - Right, Chrome.....551-0056± \$346.95
 - Left, Black551-0057 \$407.95
 - Right, Black.....551-0058 \$418.95
3. End cap (Left and Right).....551-0291 \$50.95
4. Main baffle assembly (Left and Right).....551-0053 \$71.95
5. dB reducer baffle (Left and Right).....551-0063 \$30.95
6. Button head cap screw, Stainless, ¼"-20x¾" 500-0441 \$4.95
7. Socket head cap screw, Stainless, 10-32x¾" 500-0569 \$4.95
9. Hardware kit, muffler clamps and screws (N/S)551-1443 \$12.95

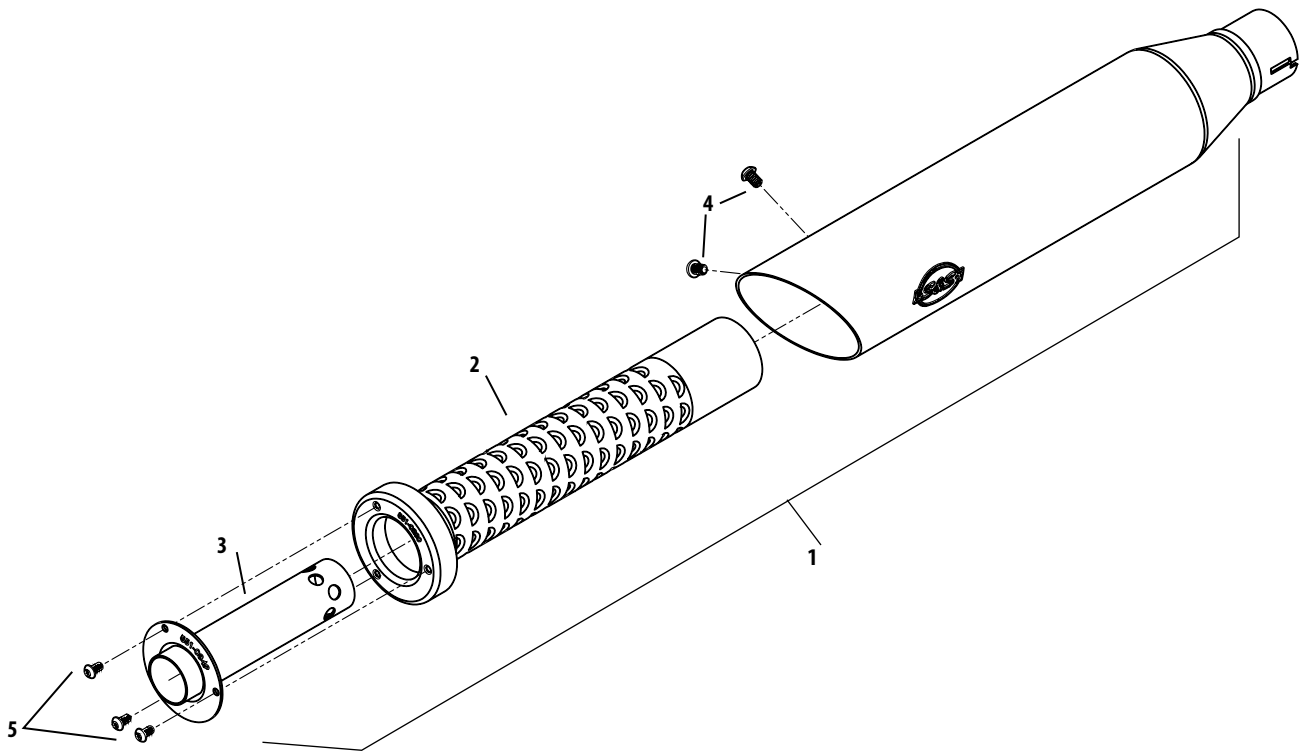


± WARNING: Cancer and Reproductive Harm – www.P65Warnings.ca.gov



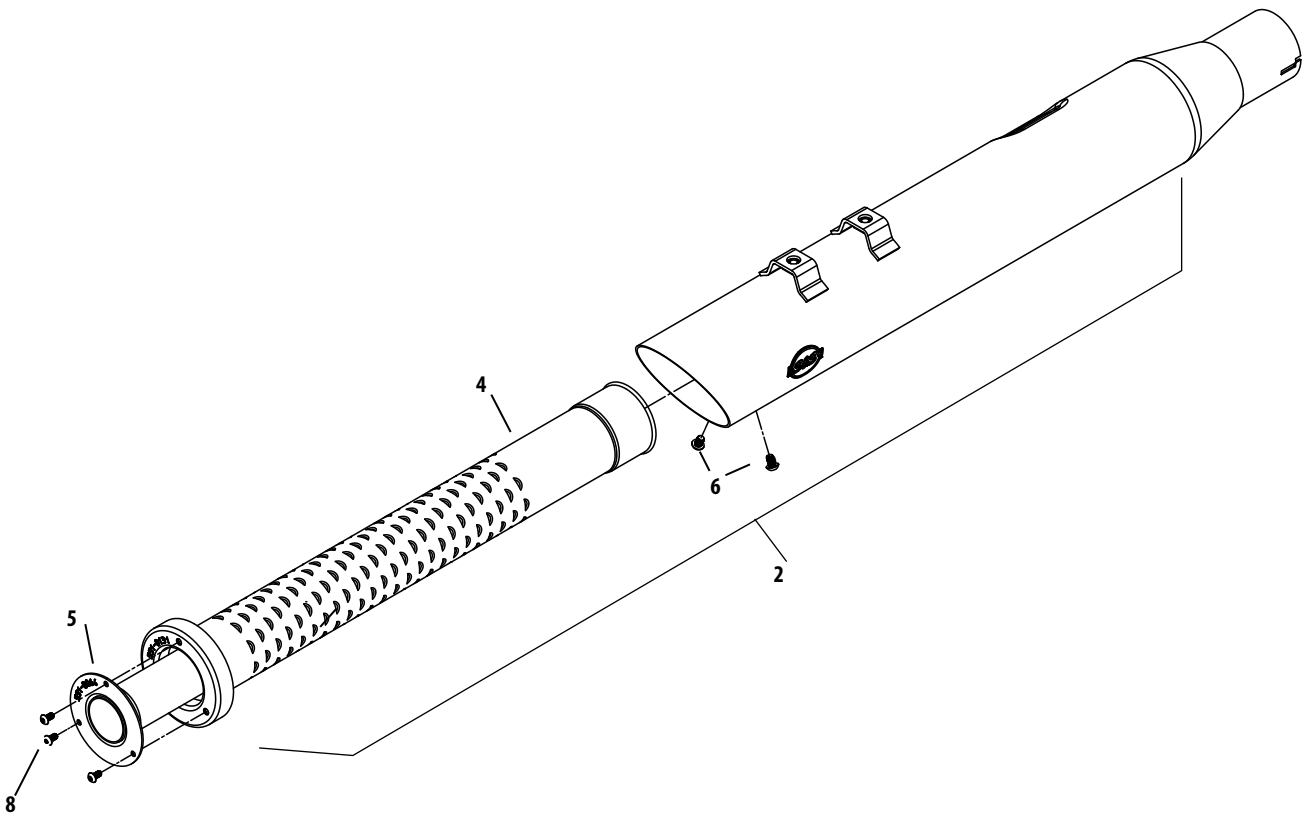
Order 608-627-1497

1. Slash Cut Muffler Assembly, Front or Rear
 - Chrome551-0308 \$254.95
 - Black551-0311 \$244.95
2. Main Baffle Assembly551-0301 \$50.95
3. dB Reducer Baffle551-0350 \$29.95
4. Button head cap screw, Stainless, 1/4"-20x3/8"
(Hold Main baffle assy to muffler shell) 500-0441 \$4.95
5. Socket head cap screw, Stainless, 10-32x3/8"
(Hold db killer baffle to main baffle assy) 500-0570 \$4.95



± WARNING: Cancer and Reproductive Harm — www.P65Warnings.ca.gov

2.	4" Muffler assembly Slash Down		
	Left, Chrome	551-0059±	\$377.95
	Right, Chrome.....	551-0060±	\$377.95
	Left, Black	551-0061	\$454.95
	Right, Black.....	551-0062	\$454.95
4.	Main baffle assembly (Left and Right).....	551-0053	\$71.95
5.	dB reducer baffle (Left and Right).....	551-0063	\$30.95
6.	Button head cap screw, Stainless, 1/4"-20x3/8".....	500-0441	\$4.95
8.	Button head cap screw, Stainless, 10-32x3/8"	500-0570	\$4.95
9.	Hardware kit, muffler clamps and screws (N/S)	551-1443	\$12.95



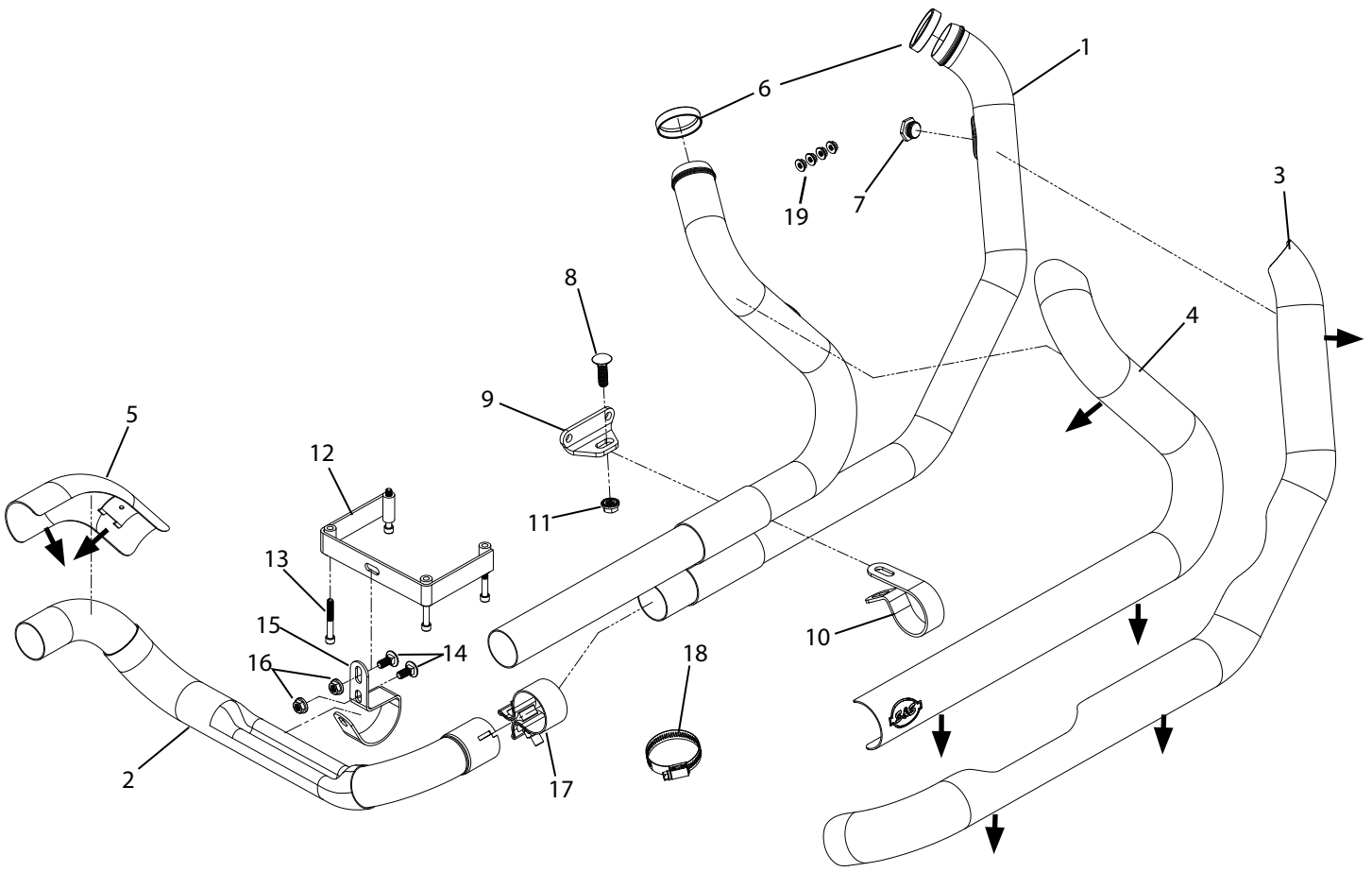
± WARNING: Cancer and Reproductive Harm – www.P65Warnings.ca.gov



Order 608-627-1497

1. Pipe,Header,Power Tune Dual, Weldment,1999-2008 Touring (1 Req)	551-0083	\$305.95	10. Clamp,P-Style,Power Tune Dual,Side, 1995-2016 Touring (1 Req).	551-0119	\$13.95
2. Tube,Crossover,Power Tune Dual,Weldment, 1995-2008 Touring (1 Req).	551-0077	\$101.95	11. Nut,Flanged,Serrated,3/8-16 (1 Req)	500-0554	\$4.95
3. Shield,Front,Power Tune Dual,1995-2008 Touring (1 Req) Chrome	551-0091±	\$285.95	12. Bracket,Assembly,Transmission,Pan, Power Tune Dual,1995-2008 Touring (1 Req).	551-0126	\$50.95
Black	551-0092A	\$302.95	13. Screw,SHC,1/4-20 x 1 7/8",Zinc Plated (4 Req)	500-0641	\$4.95
4. Shield,Rear,Power Tune Dual,1995-2016 Touring (1 Req) Chrome	551-0103±	\$241.95	14. Bolt,Carriage,5/16-18 x 3/4" (2 Req)	500-0555	\$4.95
Black	551-0104	\$253.95	15. Clamp,P-Style,Crossover, Power Tune Dual Header,1995-2008 Touring (1 Req)	551-0120	\$13.95
5. Shield,Left,Power Tune Dual,1995-2016 Touring (1 Req) Chrome	551-0115±	\$71.95	16. Nut, Flanged, Serrated, 5/16"-18 (2 Req)	50-5053-S	\$4.95
Black	551-0116	\$71.95	17. Clamp,Muffler,Band Style (1 Req)	551-0028	\$14.95
6. Gasket,Exhaust,Tapered,Stainless Steel, 1984-up bt, 1986-up xl 65324-83B, 65324-83A (2 Req)	106-5029	\$7.95	18. Clamp,Hose,Worm Drive,SAE #28 (8 Req)	551-0124	\$4.95
7. Plug,M18 x 1.5 Thread (2 Req).	551-0122	\$13.95	19. Nut, HSFH,5/16-24 7593	50-5025-S	\$4.95
8. Bolt,Carriage,3/8-16 x 1 1/4" (1 Req)	500-0553	\$4.95			
9. Bracket,Transmission,Side,Power Tune Duals, 1995-2008 Touring (1 Req).	551-0125	\$11.95			

± WARNING: Cancer and Reproductive Harm — www.P65Warnings.ca.gov

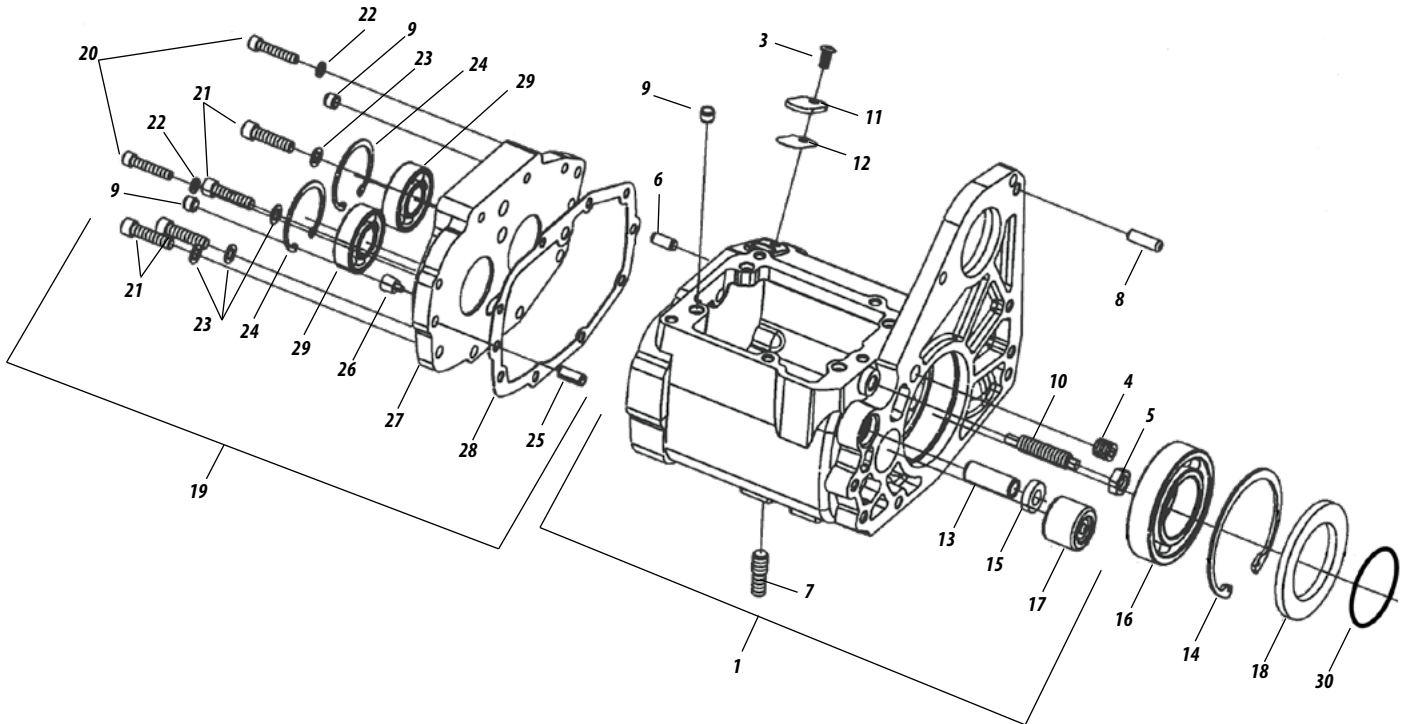


NOTE - Install #18 heat shield clamps with screw heads pointing in direction shown by arrows. →

For 1986-'99 Softail® Models

Order 608-627-1497

- | | | | | | |
|---|---------|---------|---|---------|----------|
| 1. Transmission case assembly, 5-speed, rigid mount
1986-'99 Harley-Davidson® Softail® | N/A | - | 19. Door assembly, transmission access, 5-speed
1986-'99 BT | 56-1027 | \$381.95 |
| 2. Case only | N/A | - | 20. Capscrew, sockethead 1/4"-20 x 1 1/4" 4740A, 3482A
each | 50-0008 | \$6.95 |
| 3. Screw, socket buttonhead, 1/4"-20 x 1/2" | 50-0065 | \$6.95 | 21. Capscrew, SH 5/16"-18 x 1 1/4" 3210A | 50-0121 | \$4.95 |
| 4. Set-screw, sockethead, 1/2"-20 x 1/2"
(HD® #3784) | 50-0203 | \$13.95 | 22. Washer, flat - 1/4" x 7/16" x 1/16" (each) | 50-7017 | \$6.95 |
| 5. Nut, hex head, 7/16"-14 (each) | 50-5044 | \$4.95 | 12 pack | 50-7013 | \$12.95 |
| 6. Pin, dowel, .308" diameter x .70" 375 | 50-8029 | \$7.95 | 23. Washer, flat - 5/16" x .545" x .042" (each) | 50-7026 | \$6.95 |
| 7. Stud, 3/8"-24, 7/16"-14 x 1.300" 11733A | 50-8084 | \$10.95 | 24. Ring, internal retaining, 2.072" O.D. x .062"
Tru-Arc 35021-89 | 50-8053 | \$9.95 |
| 8. Pin, dowel, 5/16" diameter x 1" 337 | 50-8171 | \$6.95 | 25. Pin, roll - 5/16" x 3/4" 634 (each) | 50-8175 | \$4.95 |
| 9. Pin, roll, 3/8" x .300" 609 | 50-8173 | \$6.95 | 26. Plug, magnetic - 1/8" -27739A | 50-8334 | \$15.95 |
| 10. Screw, shift lever adjustment
33119-79B | 56-1002 | \$40.95 | 27. Door, transmission access 35258-87C
Only 5-speed rigid mount 1986-'99 BT | 56-1025 | \$285.95 |
| 11. Cover, speedo sensor hole | N/A | - | 28. Gasket, transmission access door
35652-79B, 35653-98A | 56-1026 | \$8.95 |
| 12. Gasket, speedo sensor hole cover | N/A | - | 29. Bearing, transmission access door 8992A, 8998 | 56-3026 | \$61.95 |
| 13. Guide, shifter shaft, 5-speed rigid mount
1986-'99 BT 33114-79 | 56-1067 | \$12.95 | 30. O-ring, Quad Seal 11165 | 50-8045 | \$11.95 |
| 14. Ring, internal retaining, 3.734" O.D. x .109" tru-arc
11161, 11599 | 50-8051 | \$27.95 | | | |
| 15. Seal, oil - 1984-'99 BT 12045 | 56-1064 | \$10.95 | | | |
| 16. Bearing, transmission output shaft, 1984-'99 BT
8996A | 56-1280 | \$92.95 | | | |
| 17. Bearing, transmission countershaft 8977 | 56-3031 | \$50.95 | | | |
| 18. Seal, oil 12067B | 56-3033 | \$16.95 | | | |



All reference to HD® Part #s is for identification purposes only. We in no way are implying that any of S&S® Cycle's products are original equipment parts or that they are equivalent to the corresponding HD Part # shown.

1936–'84 Vintage Models



PERFORMANCE KITS

- 84", 86", 88" Stock Bore Stroker Kit..... 113
- 93" Sidwinder Hot Set Up Kit 115
- Performance Kit Overview..... 112
- Retro Conversion Kit 114
- Sidwinder Big Bore Kit..... 112
- Top End Replacement..... 116

PERFORMANCE ENGINES

- KN-Series..... 121
- P-Series 120
- SH-Series..... 119

PERFORMANCE PARTS

- Air Cleaner Kits..... 110
- Camshafts 130
- Carburetors 162
- Cylinder Heads 143
- Cylinders & Pistons 138
- Crankcases..... 123
- Electronics..... 166
- Flywheels..... 125
- Gaskets..... 169
- Gearcovers..... 135
- Manifolds 159
- Oil Pumps..... 128
- Pushrods 148
- Rocker Arms..... 154
- Rocker Covers..... 156
- Tappets 147
- Valve Springs..... 154

- REPLACEMENT PARTS..... 172



FITMENT

- 1936-'92 bt case breathing engines equipped with a Super E or G carb
- 1957-'03 Sportster® models case breathing engines equipped with a Super E or G carb

FEATURES AND BENEFITS

- Increased performance
- Perfect addition with a performance exhaust system
- Filter element can be cleaned and reuse

KIT CONTENTS

- Backplate
- Air Filter
- All necessary mounting hardware
- Complete instructions



UNIVERSAL STEALTH AIR CLEANER KIT

MODEL	PART #	MSRP
1936-'92 big twins, 1957-'90 Sportster® models	170-0176	\$205.95

NOT LEGAL FOR SALE OR USE IN CALIFORNIA ON ANY POLLUTION CONTROLLED MOTOR VEHICLE. NOT LEGAL FOR SALE OR USE NATIONWIDE ON ANY FEDERAL POLLUTION CONTROLLED MOTOR VEHICLE UNDER THE CLEAN AIR ACT

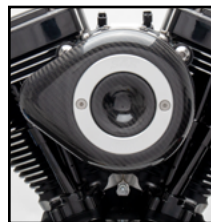
STEALTH AIR CLEANER KIT COVERS



Stealth Tribute



Teardrop



Carbon Fiber



Mini in Gloss Black



Tri-Spoke



Torker



Air 1



Airstream in Chrome

STEALTH COVERS

Tribute		Teardrop		Teardrop—Slasher		Carbon Fiber	Mini	
Chrome	Gloss Black	Chrome	Gloss Black	Chrome	Gloss Black	Black	Chrome	Gloss Black
170-0592	170-0593	170-0530	170-0531	170-0532	170-0533	170-0501	170-0367	170-0366
\$203.95	\$203.95	\$205.95	\$203.95	\$216.95	\$214.95	\$356.95	\$203.95	\$203.95

Tri-Spoke	Torker	Air 1	Airstream		Displacement		
Gloss Black w/Highlights	Gloss Black w/Highlights	Gloss Black w/Highlights	Chrome	Gloss Black	111	124	143
170-0210	170-0206	170-0214	170-0118	170-0396	170-0319	170-0321	170-0323
\$193.95	\$193.95	\$193.95	\$193.95	\$195.95	\$203.95	\$203.95	\$203.95

WARNING: Cancer and Reproductive Harm – www.P65Warnings.ca.gov

Order 608-627-1497

S&S Vintage 1936-1999



For S&S And Stock Carburetors

1984–1999 Evolution®

1936–1984 Vintage Engines

Tools & Shop Supplies

Warranty & Company Policy

Appendix

FITMENT

- 1966–'84 big twins
- 1966–'85 Harley-Davidson® Ironhead Sportster®

FEATURES AND BENEFITS

- Increased air flow adds 2–5 horsepower *(more with performance exhaust and cams)*
- Easy installation
- S&S chrome Teardrop air cleaner looks great

KIT CONTENTS

- Chrome teardrop cover
- Backplate
- Filter
- Mounting hardware
- Instructions



CLASSIC TEARDROP AIR CLEANER KITS		
MODEL YEAR AND ENGINE STYLE	SUPER E & G	MSRP
BIG TWIN MODELS		
1966–'84 w/5 gl. tanks	17-0440	\$326.95
1966–'84	17-0400	\$326.95
HARLEY-DAVIDSON® IRONHEAD SPORTSTER® MODELS		
1966–'85	17-0400	\$326.95

NOT LEGAL FOR SALE OR USE IN CALIFORNIA ON ANY POLLUTION CONTROLLED MOTOR VEHICLE. NOT LEGAL FOR SALE OR USE NATIONWIDE ON ANY FEDERAL POLLUTION CONTROLLED MOTOR VEHICLE UNDER THE CLEAN AIR ACT. ⚠️ WARNING: Cancer and Reproductive Harm—www.P65Warnings.ca.gov

➔ REPLACEMENT PARTS: SEE PAGE 196

CLASSIC TEARDROP AIR CLEANER COVERS			
STYLE	FINISH	PART #	MSRP
MINI	CHROME	170-0367	\$203.95
	GLOSS BLACK	170-0366	\$203.95
CLASSIC TEARDROP	CHROME	17-0378	\$193.95
	GLOSS BLACK	170-0384A	\$193.95
SLASHER TEARDROP	CHROME	17-0004	\$193.95
	GLOSS BLACK	170-0419	\$191.95
NOSTALGIC TEARDROP	POLISHED	17-0071	\$224.95

⚠️ WARNING: CANCER AND REPRODUCTIVE HARM—WWW.P65WARNINGS.CA.GOV





SIDEWINDER® BIG BORE KITS FOR 1966-'84 BIG TWINS

Sidewinder big bore/stroker kits are available in displacements from 88" to 103". The 3 3/8" bore cylinders are coupled with strokes from 4 1/4" to 5" to yield the various displacements (See page 112). The most popular and highly recommended Sidewinder Kit is the 93" (3 3/8" bore X 4 1/2" stroke). This is also available as a Hot Set Up Kit which includes everything you need to achieve the potential of the increased displacement (See page 115).

RETRO CONVERSION KIT FOR 1966-'84 BIG TWINS

Give your shovel the nostalgic look of a panhead, gain performance, and upgrade to modern 1984-'99 style hydraulic valve train with one simple to install kit. (See page 109)

TOP END REPLACEMENT KITS FOR 1966-'84 BIG TWINS

Restore that tired iron with a bolt-on Top End Replacement kit. Kit includes cylinders, pistons, cylinder heads and all gaskets and hardware. Available for 74" and 80" engines. (See page 116)

SIDEWINDER® BIG BORE KITS FOR 1966-'84 BIG TWIN ENGINES

FITMENT

- 1966-'84 big twins

FEATURES AND BENEFITS

- Increase displacement and power
- High strength cast iron cylinders with increased cooling fin area
- Stock like appearance—durable black powder coat finish
- Easy installation
- Long engine life, good dependability



S&S® SIDEWINDER® BIG BORE KIT SPECIFICATIONS FOR 1966-'84 BIG TWINS

DISPLACEMENT	BORE	STROKE	COMPRESSION RATIO	CYLINDER LENGTH	RECOMMENDED CAM (STOCK VALVE TRAIN*)	RECOMMENDED CAM (S&S VALVE TRAIN**)	RECOMMENDED CARB
88"	3 3/8"	4 1/4"	7.5:1	5.330"	S&S 514	S&S 585	Super E
93"	3 3/8"	4 1/2"	8.5:1	5.405"	S&S 514	S&S 585	Super E
93" HC	3 3/8"	4 1/2"	9.1:1	5.363"	S&S 560S	S&S 600	Super E
96"	3 3/8"	4 3/8"	9.1:1	5.440"	S&S 560S	S&S 600	Super E
98"	3 3/8"	4 3/4"	8.9:1	5.530"	S&S 560S	S&S 600	Super E
103"	3 3/8"	5"	9.7:1	5.630"	S&S 560S	S&S 600	Super E or G

*1966-'84 style cams for valve train with stock style tappets

**1984-'99 style cams for S&S valve train conversion kit with 1984-'99 style tappets

COMPLETE S&S® SIDEWINDER® KITS FOR SHOVELHEAD ENGINES

DISPLACEMENT	93"	MSRP	93" HC	MSRP	96"	MSRP	103"	MSRP
1970-'84	91-9126	\$3,128.95	91-9130	\$3,069.95	91-9134	\$3,307.95	91-9140	\$3,294.95

NOT LEGAL FOR SALE OR USE IN CALIFORNIA ON ANY POLLUTION CONTROLLED MOTOR VEHICLE. NOT LEGAL FOR SALE OR USE NATIONWIDE ON ANY FEDERAL POLLUTION CONTROLLED MOTOR VEHICLE UNDER THE CLEAN AIR ACT
 These kits require manifolds, see page 158.

Order 608-627-1497

S&S Vintage 1936-1999



FEATURES AND BENEFITS

- Increased displacement and power
- Economical—re-use most stock engine components
- Easy installation—like a stock engine rebuild
- Stock appearance

OPTIONS

- Displacement 84", 86", or 88"
- Cylinder Bore 37/16" or 3 1/2"

Optional parts available—cam, prefit cylinder and piston kits, cylinder heads, S&S retro conversion kit (*pan style heads and upgraded valve train*), and S&S valve train upgrade kit



S&S® STOCK BORE STROKER KIT SPECIFICATIONS 1936–'84 BIG TWINS							
DISPLACEMENT	BORE	STROKE	COMPRESSION RATIO		RECOMMENDED CAM (STOCK VALVE TRAIN)	RECOMMENDED CAM (S&S® VALVE TRAIN)	RECOMMENDED CARB
			HC	LC			
84"	37/16"	4 1/2"	8.4:1	7.3	S&S 4505	S&S 513	Super E
86"	37/16"	4 5/8"	9.4:1	8.1	S&S 514	S&S 585	Super E
8 8"	37/16"	4 3/4"	10.8:1	9.1	S&S 5655	S&S 640	Super E

STOCK BORE STROKER KITS FOR KNUCKLEHEAD, PANHEAD, & SHOVELHEAD ENGINES						
DISPLACEMENT	84"	MSRP	86"	MSRP	88"	MSRP
1936–'53	32-2219	\$1,550.95	–	–	–	–
1958–'64†	32-2220	\$1,621.95	–	–	–	–
1965–'69	32-2221	\$1,621.95	–	–	–	–
1970–'84	32-2222	\$1,580.95	32-2108	\$1,550.95	–	–
CUSTOM FLYWHEELS	32-2015	CALL FOR PRICING	32-2015	CALL FOR PRICING	32-2015	CALL FOR PRICING

†S&S does not offer a pinion shaft for 1954–'57 engines.

! THESE KITS REQUIRE SPECIAL S&S PISTONS. SEE CHART.

FORGED STOCK BORE STROKER PISTONS		
OVERSIZE	STANDARD	LOW COMPRESSION
Standard (37/16")	106-5527	920-0073
+ .010"	106-5528	920-0075
+ .020"	106-5529	920-0077
+ .030"	106-5530	920-0079
+ .040"	106-5777	920-0081
+ .050"	106-5778	920-0083
+ .060"	106-5779	920-0085
+ .070"	106-5780	920-0087
+ .080"	106-5781	920-0089
+ .090"	106-5782	920-0091



106-5527



For 1966-'84 Big Twins

FITMENT

- 1966-'84 big twins
- 1954-'65 big twins with shovel cylinders

FEATURES AND BENEFITS

- Gives a shovel engine the retro look of a pan
- S&S heads improve performance with increased air flow
- Quiet, dependable valve train with hydraulic tappets

OPTIONS

- Stock or 3 5/8" bore



Order 608-627-1497

RETRO CONVERSION KITS FOR 1954-1984 BIG TWINS

Application	Bore	Option	Part #	MSRP
1966-'84 bt S&S SH-Series	Stock	Single Plug	106-1070	\$3,391.95
	3 5/8"	Single Plug	106-1071	\$3,391.95

These kits have internal oil drains.

LATE STYLE CAM RECOMMENDATIONS FOR SHOVELHEAD ENGINES WITH RETRO CONVERSION KIT

APPLICATION	RPM RANGE	COMPRESSION RATIO	IF YOU USED...	THEN USE...	GENERATOR STYLE	ALTERNATOR STYLE
74" - Stock 84" low compression	Low-Mid	8.5 and below	S&S 450 or Andrews® J or A	S&S 513	106-6028	106-6027
74" and 80" - Modified	Mid-High	8.5 - 9.5	S&S 514 or Andrews #3 or B	S&S 585	33-5131	33-5109
84" - 93"	Low-Mid	8.0 - 9.0	S&S 514	S&S 585	33-5131	33-5109
93" HC - 103"	Mid-High	9.0 - 10.0	S&S 495 or 560S	S&S 600	33-5132	33-5058
High Compression	High	Over 10.0	S&S® 495 or 565S	S&S® 640	-	33-5108

NOTES:

The S&S Retro Conversion Kit requires that a 1984-'99 style cam be used to ensure correct valve timing due to the roller size on the late style tappets use in the kit.

1970-'77 stock engines will also require a 1978-'87 style pinion gear to mate with the late style cam gear.

1966-'69 engines or other engines with generator style crankcases will require a special generator style cam with 1984-'99 style lobes. See chart for recommendation.

1979-'84 o-ring style pushrod covers are required; S&S part #93-4040 or equivalent.

—————> **REPLACEMENT PARTS: SEE PAGE 184**

S&S Vintage 1936-1999

FITMENT

- 1978–'84 big twin engines

FEATURES AND BENEFITS

- Yields 93 cubic inches with an approximate compression ratio of 8.5:1
- 4½" stroker flywheels assembled with mainshafts and rod
- 3¾" bore cylinders and pistons
- S&S 514 cam kit, valve springs, adjustable chromoly pushrods
- S&S Super E carb kit

S&S® SIDEWINDER® HOT SET UP KIT SPECIFICATIONS FOR 1966–'84 BIG TWINS

DISPLACEMENT	BORE	STROKE	COMPRESSION RATIO	CYLINDER LENGTH	RECOMMENDED CAM (STOCK VALVE TRAIN*)	RECOMMENDED CAM (S&S VALVE TRAIN**)	RECOMMENDED CARB
93"	3¾"	4½"	8.5:1	5.405"	S&S 514	S&S 585	Super E

⚠ CRANKCASES & CYLINDER HEADS MUST BE BORED TO ACCEPT S&S® SIDEWINDER BIG BORE CYLINDERS.

93" SIDEWINDER® HOT SET UP KIT® FOR 1978–'84 SHOVELHEAD ENGINES

MODEL YEAR	PART #	MSRP
1978–'84	32-2268	\$4,168.95

NOT LEGAL FOR SALE OR USE IN CALIFORNIA ON ANY POLLUTION CONTROLLED MOTOR VEHICLE. NOT LEGAL FOR SALE OR USE NATIONWIDE ON ANY FEDERAL POLLUTION CONTROLLED MOTOR VEHICLE UNDER THE CLEAN AIR ACT **⚠ WARNING: Cancer and Reproductive Harm—www.P65Warnings.ca.gov**



For 1966-'84 Big Twin Engines

FITMENT

- 1966-'84 big twin engines

FEATURES AND BENEFITS

- Provide everything you need to replace the top end of a 74" or 80" shovelhead engine.
- S&S top end kits for shovelheads include a set of S&S Super Stock® cylinder heads, a pair of S&S® stock bore cylinders (3³/₁₆" for 74" and 3¹/₂" for 80"), S&S 8:1 compression forged pistons, complete with rings and wristpins, manifold clamps, manifold seals, all required hardware, and gaskets.
- 74" top end kits include S&S 106-5495 series 3³/₁₆" stroke pistons and o-ring style cylinder heads.
- Top end kits for 80" engines include the S&S 106-5511 series 4¹/₄" stroke pistons and rubber band style cylinder heads. Pistons are pre-fit to the cylinders

TOP END REPLACEMENT KITS FOR STOCK DISPLACEMENT SHOVELHEAD ENGINES

DISPLACEMENT	MODEL YEAR	STROKE	COMPRESSION	HIGH TEMP GLOSS FINISH	
				PART #	MSRP
74"	1966-'78	3 ³ / ₁₆ "	8:1	90-0097	\$3,128.95
80"	1979-'84	4 ¹ / ₄ "	8:1	90-0098	\$3,069.95

NOT LEGAL FOR SALE OR USE IN CALIFORNIA ON ANY POLLUTION CONTROLLED MOTOR VEHICLE. NOT LEGAL FOR SALE OR USE NATIONWIDE ON ANY FEDERAL POLLUTION CONTROLLED MOTOR VEHICLE UNDER THE CLEAN AIR ACT

NOTES: 74" engines have a stroke of 3³/₁₆", and 80" shovelhead engines have a 4¹/₄" stroke, but the cylinder length for both engines is the same. The 74" piston is taller than the 80" piston; piston deck heights of the two pistons are designed for the same piston to head clearance in both engines. While it is possible to install an 80" top end on a 74" engine, this will result in very low compression and poor performance. A 74" top end will bolt to an 80" crankcase, but, the pistons will contact the cylinder head due to the combination of the taller 74" pistons and the longer stroke of the 80" flywheels. Therefore, it is important to correctly identify the stroke of the engine before ordering a top end kit.



90-0098

Top it off with S&S billet rocker boxes. See page 156



S&S offers performance engines in a variety of displacements for 1936–'84 Harley-Davidson® OHV big twins, that provide a vintage vibe and modern muscle. These engines have a deceptively stock appearance, but feature larger displacement and updated internal components for improved performance and reliability. Engineering grade cast iron cylinders are protected with a durable powder coat finish.

1966–'84 BIG TWINS

SH93 (93 CID)

An excellent upgrade option to replace a worn out Harley-Davidson® shovelhead engine, or to power a retro custom. The SH93 provides a significant increase in power over stock 74" or 80" engines, and since it runs well on pump gas, it's a great daily driver. Available with generator, alternator, or alt/gen crankcases.

SH93H (93 CID HIGH COMPRESSION)

The SH93H is a higher compression version of the SH93. It features dual plugged cylinder heads to control knock, and a more aggressive cam to take advantage of the higher compression. Alternator style crankcases only. Complete with S&S Super E Carb and ignition.

SH103 (103 CID)

The SH103 is the largest engine S&S offers for 1970–'84 chassis. This engine will require frame clearancing when installed in a stock chassis. Available with alternator style crankcases only. Complete with S&S Super E Carb and ignition.

1948–'65 BIG TWINS

P74 (74 CID)

The P74 engine is preferred by some riders as a replacement engine for bikes with stock drive train that may not be able to take the power of a larger engine. Timken® sprocket shaft bearing makes this engine more reliable. Available with generator style crankcases only. Complete with S&S Super E Carb and ignition.

P93 (93 CID)

An excellent upgrade option to replace a worn out Harley-Davidson® panhead engine, or to power a retro custom. The P93 provides a significant increase in power over stock 74" engines, and since it runs well on pump gas, it's a great daily driver. Available with generator, alternator, or alt/gen crankcases.

P93H (93 CID HIGH COMPRESSION)

The P93H is a higher compression version of the P93. It features dual plugged cylinder heads to control knock, and a more aggressive cam to take advantage of the higher compression. Alternator/generator style crankcases only. Complete with S&S Super E Carb and ignition.

P103 (103 CID)

The P103 is the largest engine S&S offers for 1970–'84 chassis. This engine will require frame clearancing when installed in a stock chassis. Available with alternator style crankcases only. Complete with S&S Super E Carb and ignition. Complete with S&S Super E Carb and ignition.

1936–'47 OHV BIG TWINS

KN74 (74 CID)

The KN74 is a stock displacement engine favored by riders replacing an engine in a chassis with stock drive train that may not handle the increased power of a larger engine. Timken® sprocket shaft bearing makes this engine more reliable. Available with generator style crankcases only. Complete with S&S Super E Carb and ignition.

KN93 (93 CID)

An excellent upgrade option to replace a worn out Harley-Davidson® knucklehead engine, or to power a retro custom. The KN93 provides a significant increase in power over stock 74" or 61" engines, and since it runs well on pump gas, it's a great daily driver. Available with generator, alternator, or alt/gen crankcases.

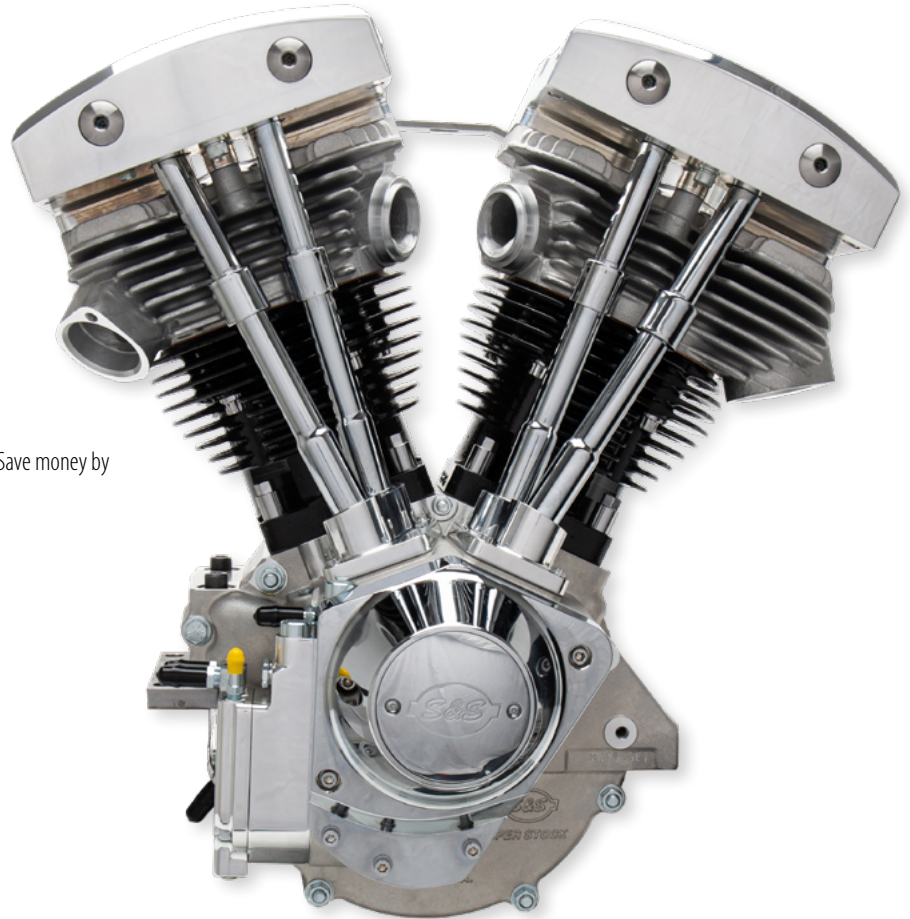


1970-'99 stock chassis with alternator style primary

Order 608-627-1497

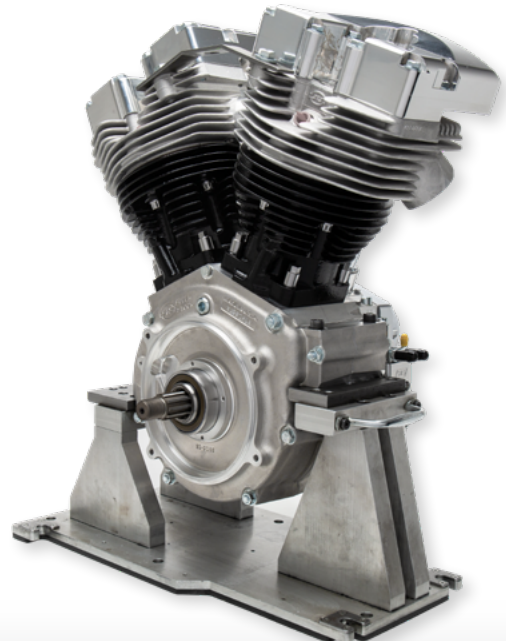
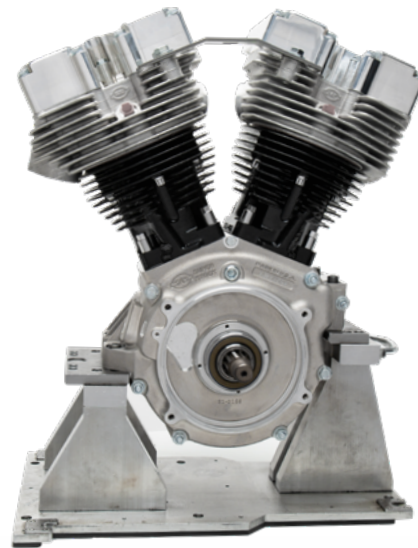
FEATURES & BENEFITS

- Natural crankcases and black powder coated cylinders
- S&S hydraulic valve train and roller rockers
- Sold without ignition, carb, manifold and air cleaner—Save money by using what you have
- Stock spec H-grind cam
- Billet gearcover
- 3½" Bore
- 4¼" Stroke
- 2 year warranty



SHOVELHEAD LONG BLOCK

DESCRIPTION	APPLICATION	PART #	MSPR
SH80 Long Block	1970-'99 stock chassis with alternator style primary	310-0975	\$8,229.95
NOT LEGAL FOR SALE OR USE IN CALIFORNIA ON ANY POLLUTION CONTROLLED MOTOR VEHICLE. NOT LEGAL FOR SALE OR USE NATIONWIDE ON ANY FEDERAL POLLUTION CONTROLLED MOTOR VEHICLE UNDER THE CLEAN AIR ACT			



S&S Vintage 1936-1999



FITMENT

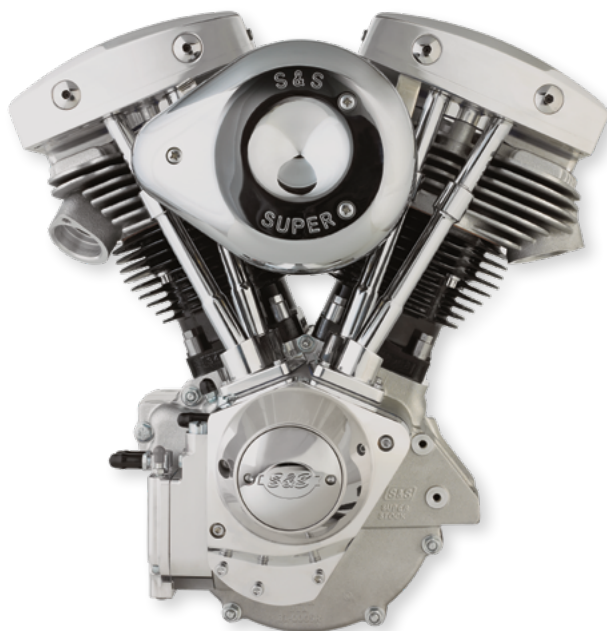
- 1970–'99 stock chassis with alternator style primary
- 1970–'99 alternator/generator and alternator custom versions custom bikes with 1970–'99 alternator style primary

FEATURES AND BENEFITS

- Natural crankcases and black powder coated cylinders
- S&S hydraulic valve train and roller rocker arms
- S&S Super Stock™ single fire ignition system
- 1966–'69 models have correct length sprocket shaft for stock primary and transmission
- Alternator and alternator/generator models have correct sprocket length sprocket shaft for 1970–up primary and transmission
- Alternator/generator engines include oil filter mounting bracket for generator location
- Two-year warranty

OPTIONS

- Alternator/generator, or alternator crankcases



SH-SERIES ENGINE SPECIFICATIONS							
ENGINE	DISPLACEMENT	BORE	STROKE	CARB	CAM	PISTON	CR
SH93	93"	3 3/8"	4 1/2"	Super E	585	Forged	8.5:1

NOTE: S&S® SH93H engine contains 1984–'99 style S&S cam and tappets.
*SH103 will not fit stock chassis—not for everyone!

COMPLETE CARBURETED SH-SERIES ENGINES							
ENGINE	APPLICATION	STYLE	WARRANTY	BILLET GEARCOVER	MSRP	CAST GEARCOVER	MSRP
SH93	1970–'99 Chassis	Alternator	2 Years	31-9905	\$9,199.95	–	–
	Custom	Alternator/Generator		–	–	31-9917	\$9,819.95

NOT LEGAL FOR SALE OR USE IN CALIFORNIA ON ANY POLLUTION CONTROLLED MOTOR VEHICLE. NOT LEGAL FOR SALE OR USE NATIONWIDE ON ANY FEDERAL POLLUTION CONTROLLED MOTOR VEHICLE UNDER THE CLEAN AIR ACT

⚠️ WARNING: Cancer and Reproductive Harm—www.P65Warnings.ca.gov

BILLET FILTER MOUNT

FITMENT

- 1936–'69 big twins with Alt/Gen Crankcase

FEATURES AND BENEFITS

- Accepts stock oil pressure sending switch
- Machined for easy routing of an oil cooler
- Seals off cam chest, providing a convenient place to spin on an oil filter

BILLET FILTER MOUNT	106-3134	\$216.95
---------------------	----------	----------

⚠️ WARNING: Cancer and Reproductive Harm—www.P65Warnings.ca.gov





For 1948-'99 Chassis

FITMENT

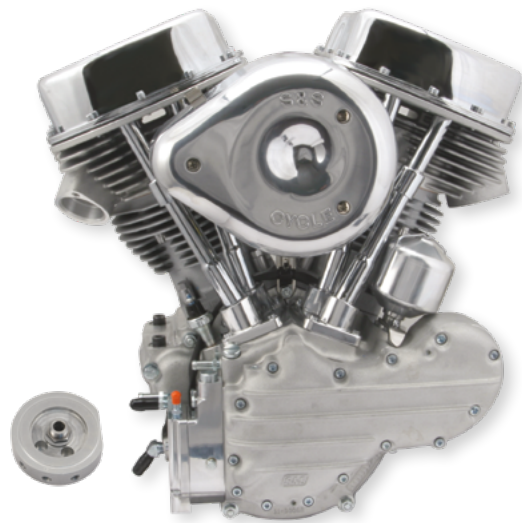
- Several versions are available:
- 1948-'64 stock chassis with tin primary—4 rib gearcover and domed timer cover
- 1965 stock chassis electric start with alloy primary—flat side gearcover and flat timer cover (will fit 1966-'69 chassis)
- 1970-'99 Alternator/generator

FEATURES AND BENEFITS

- Vintage vibe—Modern muscle
- Natural crankcases and stock-looking silver powder coated cylinders
- S&S hydraulic valve train with roller rocker arms
- S&S billet timer and S&S Super Stock single fire ignition system
- 1948-'64 and 1965 models have correct length sprocket shaft for stock primary and transmission
- Alternator/generator models have correct sprocket length sprocket shaft for 1970-up primary and transmission
- Alternator/generator engines include oil filter mount for generator location
- 1966-'84 exhaust systems
- 1966-'84 intake ports with o-ring inlets
- Two-year warranty

OPTIONS

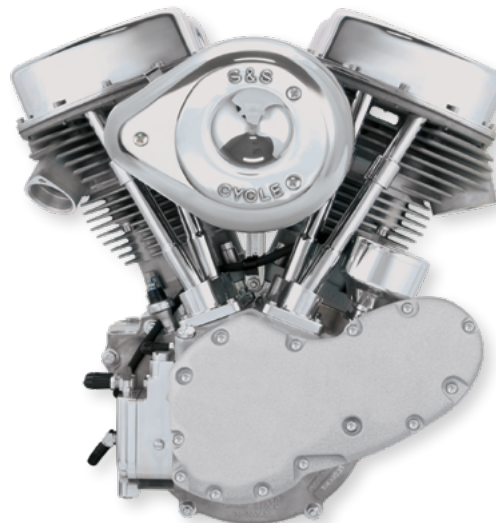
- 93" displacements
- Stock style generator or alternator/generator crankcases



106-0819



106-0821



106-0820

P-SERIES ENGINE SPECIFICATIONS

ENGINE	DISPLACEMENT	BORE	STROKE	CARB	CAMSHAFT	PISTON TYPE	COMPRESSION RATIO
P93	93"	3 3/8"	4 1/2"	Super E	S&S 585	S&S Forged	8.5:1

COMPLETE CARBURETED P-SERIES ENGINES

ENGINE	APPLICATION	STYLE	WARRANTY	PART #	MSRP
P93	1948-'64 Chassis	Generator	2 Years	106-0819	\$10,199.95
	1965-'69 Chassis	Generator		106-0820	\$10,199.95
	Custom 1970-'99	Alternator/Generator		106-0821	\$10,199.95

Alternator and alternator/generator engines require transmission with 1970-up length main shaft and custom exhaust. 1955-'64 style engines may be installed in 1948-'54 chassis if 1955-'64 inner primary tin cover is used.

NOT LEGAL FOR SALE OR USE IN CALIFORNIA ON ANY POLLUTION CONTROLLED MOTOR VEHICLE. NOT LEGAL FOR SALE OR USE NATIONWIDE ON ANY FEDERAL POLLUTION CONTROLLED MOTOR VEHICLE UNDER THE CLEAN AIR ACT

⚠ WARNING: Cancer and Reproductive Harm—www.P65Warnings.ca.gov

Order 608-627-1497

S&S Vintage 1936-1999

FITMENT

- KN93
- 1936–'47 stock chassis—will fit in 1948–'65 chassis with front motor mount spacer (included)
- 1970–'99 Alternator/generator and alternator custom versions, custom bikes with 1970–'99 alternator style primary

FEATURES AND BENEFITS

- Natural crankcases and black powder coated cylinders and heads
- S&S Super E
- S&S valve train—solid lifters
- S&S Super Stock™ single fire ignition system and polished billet timer
- 1936–'47 models have correct length sprocket shaft for stock primary and transmission
- Alternator/generator models have correct sprocket length sprocket shaft for 1970–up primary and transmission
- Alternator/generator engines include oil filter mount for generator location
- One-year warranty



→ **REPLACEMENT PARTS: SEE PAGE 186**

KN-SERIES ENGINE SPECIFICATIONS							
ENGINE	DISPLACEMENT	BORE	STROKE	CARB	CAMSHAFT	PISTON TYPE	COMPRESSION RATIO
KN93	93"	3 5/8"	4 1/2"	Super E	S&S® 420	S&S Forged	8.2:1
KN-Kone	93"	3 5/8"	4 1/2"	Super E	S&S® 420	S&S Forged	8.2:1

KN-SERIES ENGINES					
DESCRIPTION	APPLICATION	STYLE	WARRANTY	PART #	MSRP
KN93	1936–'47 stock chassis	Generator	1 year	106-2161	\$14,449.95
KN93	1970–'99 customs	Alternator/Generator		310-0827	\$14,449.95

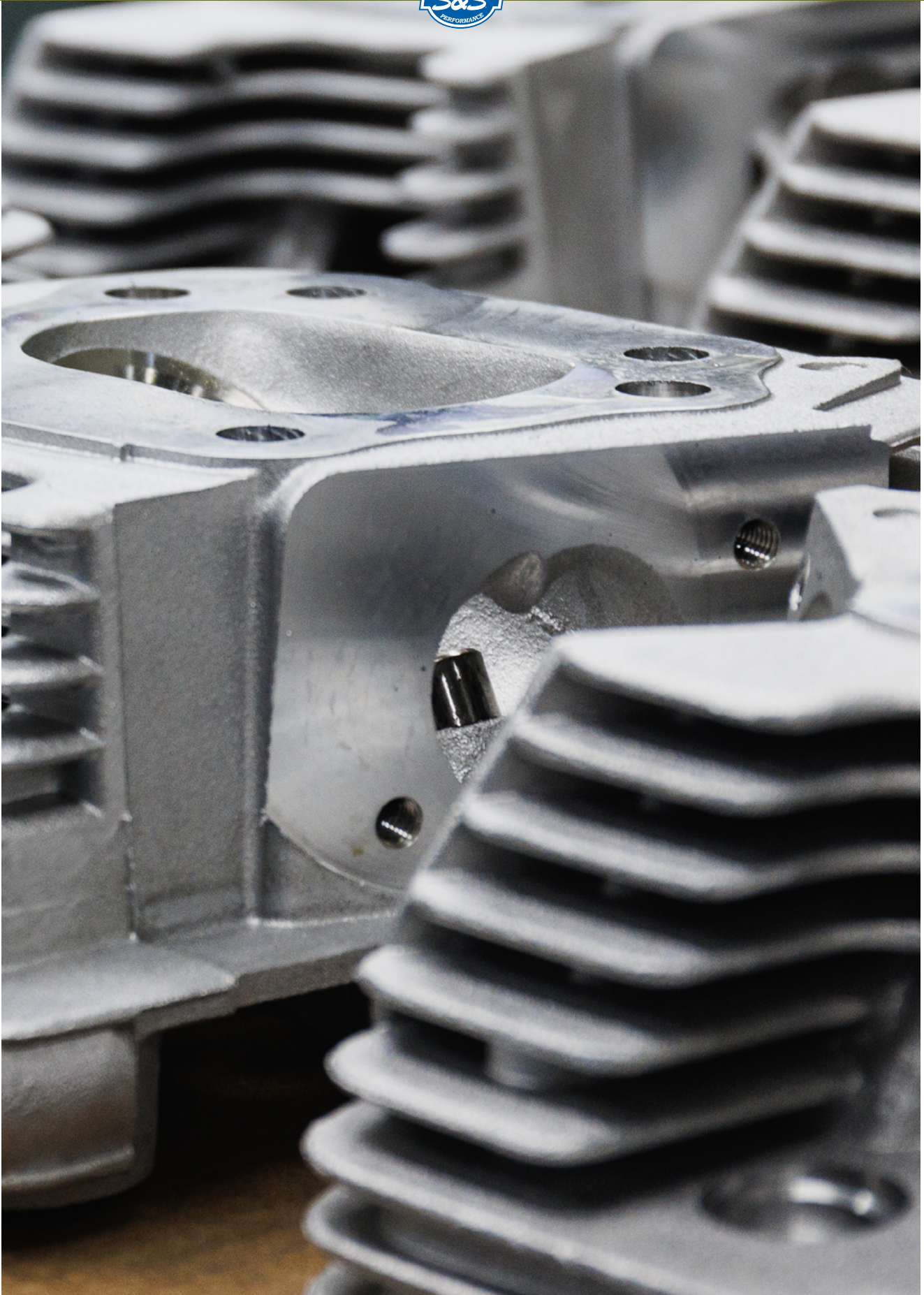
NOT LEGAL FOR SALE OR USE IN CALIFORNIA ON ANY POLLUTION CONTROLLED MOTOR VEHICLE. NOT LEGAL FOR SALE OR USE NATIONWIDE ON ANY FEDERAL POLLUTION CONTROLLED MOTOR VEHICLE UNDER THE CLEAN AIR ACT

⚠️ WARNING: Cancer and Reproductive Harm—www.P65Warnings.ca.gov

NOTES: Alternator/generator cases have 1948–'99 style front motor mount. Will not fit stock knuckle frames. Generator style engines have stock motor mounts for 1936–'47 style frames, but can be used in 1948–'99 style frames with front motor mount spacer, part #31-2017 (included). Alternator/generator cases require a transmission with 1970–up length mainshaft, and custom exhaust pipes must be fabricated. Engines for 1936–'64 chassis with tin primary must use a 1954–'64 style inner primary cover. S&S Super Stock generator style crankcases are available for stock 3 7/8" or 3 5/8" bore, but can be special ordered for bore sizes up to 3 13/16" and deck heights as much as 3/16" taller than stock. 1936–'54 must use the 1955–'64 style inner steel primary cover. Since all S&S generator style crankcases use 1958 and later style main bearings, stock flywheel assemblies 1957 and earlier cannot be used in S&S crankcases. Flywheel assemblies must have 1958 and later pinion shaft with 1.250" diameter bearing, and a 1954 and later style sprocket shaft designed for a Timken® main bearing. Generator style cases for 1936–'47 knucklehead engines are machined to supply oil to the heads from a boss located near the rear tappet guide or from a stock or S&S gearcover. Provision for oil scavenging from the heads in these crankcases is the same as stock, with passageways that connect the tappet guides to the crankcase breather gear. Crankcases for 1948–'69 engines are machined with a provision to separate the oil supply to the top and bottom ends if an S&S oil pump is used. This feature lets you choose the 1972 and earlier stock "side oiling" system or the 1973 and later split oil system. The stock cast iron oil pump can be used for the "original look" and stock oiling system. If an S&S billet oil pump, part #31-6200+ is used, the oiling system can be set-up as stock or updated to a split system. 1963–'65 panhead engines, with outside oil supply lines to the cylinder heads, must use the oil supply port located behind the rear tappet guide or the oil fitting toward the rear of the S&S gearcover. S&S generator style crankcases do not have the stock style "outside oiler" oil supply boss, so special oil supply lines will need to be fabricated.



Order 608-627-1497





FITMENT

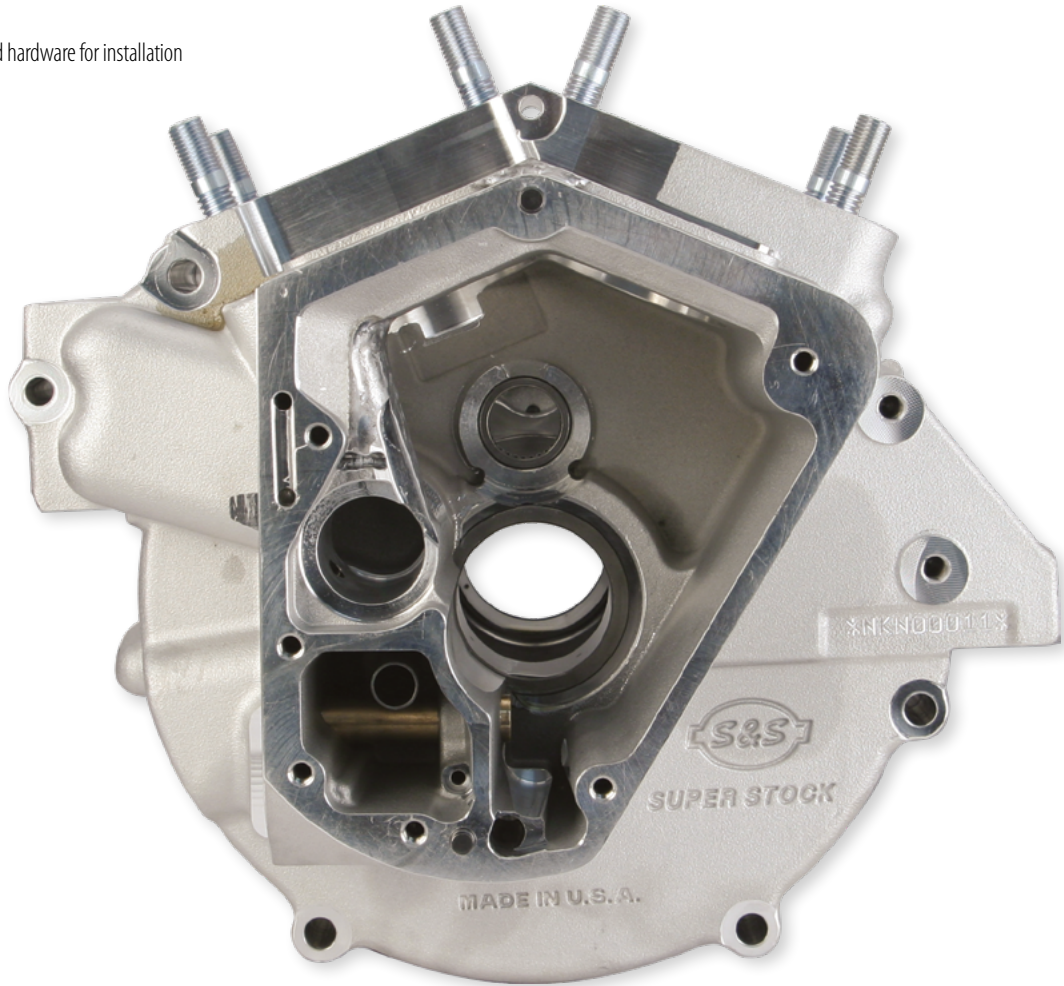
- 1970–'84 big twins

FEATURES AND BENEFITS

- Available for stock, 3 $\frac{5}{8}$ ", and 3 $\frac{13}{16}$ " bore applications
- Compatible with stock 1970–up flywheel assemblies, primary covers and gearcovers
- Clearanced for 38 amp alternator stators
- Pre-clearanced for strokes up to and including 5"
- Complete with bearings and installation hardware

KIT CONTENTS

- Crankcase assembly
- All required bearings and hardware for installation
- Assembly instructions



SUPER STOCK® ALTERNATOR CRANKCASES FOR 1970–'84 BIG TWIN

CRANKCASE STYLE	FINISH	STOCK BORE	MSRP	3 $\frac{5}{8}$ " BORE	MSRP
1970–'84	Natural	31-0003 [†]	\$1,617.95	31-0004	\$1,647.95

NOTES: 1981–'84 style oil pump. Includes primary scavenge port machining. Machined for 1970 & later alloy primary.

[†]Exempt from emissions tampering regulations under CARB EO# D-355-8 when used with stock bore cylinders

WARNING: Cancer and Reproductive Harm—www.P65Warnings.ca.gov

→ REPLACEMENT PARTS: SEE PAGE 172



For 1948-'69 Big Twin Engines



FITMENT

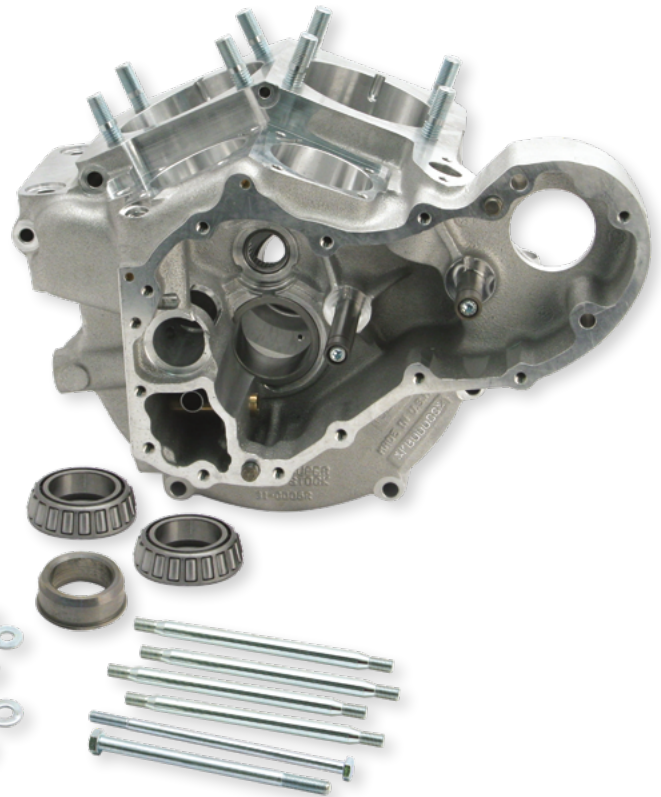
- 1948-'64 panhead engines with tin primary
- 1965-'69 panhead & generator shovelhead with alloy primary

FEATURES AND BENEFITS

- Pre-clearanced for strokes up to and including 5"
- Motor mounts on crankcases for knucklehead engines are machined to fit stock 1936-'47 frames. An adapter plate is included for 1948 and later style frames
- All cases are designed for late style generator (two brush type) with 3/8" mounting bolts to eliminate early generator cradle/mounting strap bosses for simplicity and economics
- Timken® sprocket shaft main bearing, in all years, instead of stock straight roller bearings—resulting in better flywheel assembly stability, placement, and longer engine life

KIT CONTENTS

- Crankcase assembly
- All required bearings and hardware for installation
- Assembly instructions



31-0010

Order 608-627-1497

SUPER STOCK® GENERATOR CRANKCASES FOR 1936-'99 BIG TWIN

STOCK BORE

CRANKCASE STYLE	PART #	MSRP	NOTES
1965-'69 Panhead or Shovelhead	31-0010 24519-65	\$2,152.95	1,3,5
1948-'64 Panhead	31-0008 24519-63, 24519-58, 24519-55	\$2,152.95	1,2,4,6
P-Series Replacement 1965	31-0008 24519-63, 24519-58, 24519-55	\$2,152.95	1,5,6

Note: All S&S crankcases use Timken® style sprocket shaft bearings and 1958 & later pinion bearings. These cases will not accept stock 1957 & earlier flywheel assemblies.

- | | |
|---|--|
| <ol style="list-style-type: none"> 1. 1936-'69 style oil pump. 2. Machined for 1948-'62 panhead cylinder base oil feed. 3. Includes primary scavenge port machining. | <ol style="list-style-type: none"> 4. Machined for 1955-'64 tin primary. 5. Machined for 1965-'69 alloy primary. 6. Will not accept stock 1957 & earlier flywheel assemblies. |
|---|--|

WARNING: Cancer and Reproductive Harm—www.P65Warnings.ca.gov

→ **REPLACEMENT PARTS: SEE PAGE 174**

NOTES: Engines for 1936-'64 chassis with tin primary must use a 1955-'64 style inner primary cover.

Since all S&S generator style crankcases use 1958 and later style main bearings, stock flywheel assemblies 1957 and earlier cannot be used in S&S crankcases. Flywheel assemblies must have 1958 and later pinion shaft with 1.250" diameter bearing, and a 1954 and later style sprocket shaft designed for a Timken® main bearing.

Generator style cases for 1936-'47 knucklehead engines are machined to supply oil to the heads from a boss located near the rear tappet guide or from a stock or S&S gearcover. Provision for oil scavenging from the heads in these crankcases is the same as stock, with passageways that connect the tappet guides to the crankcase breather gear.

Crankcases for 1948-'69 engines are machined with a provision to separate the oil supply to the top and bottom ends if an S&S oil pump is used. This feature lets you choose the 1972 and earlier stock "side oiling" system or the 1973 and later split oil system. The stock cast iron oil pump can be used for the "original look" and stock oiling system. If an S&S billet oil pump, part #31-6200 is used, the oiling system can be set-up as stock or updated to a split system.

1963-'65 panhead engines, with outside oil supply lines to the cylinder heads, must use the oil supply port located behind the rear tappet guide or the oil fitting toward the rear of the S&S gearcover. S&S generator style crankcases do not have the stock style "outside oiler" oil supply boss, so special oil supply lines will need to be fabricated.

S&S Vintage 1936-1999

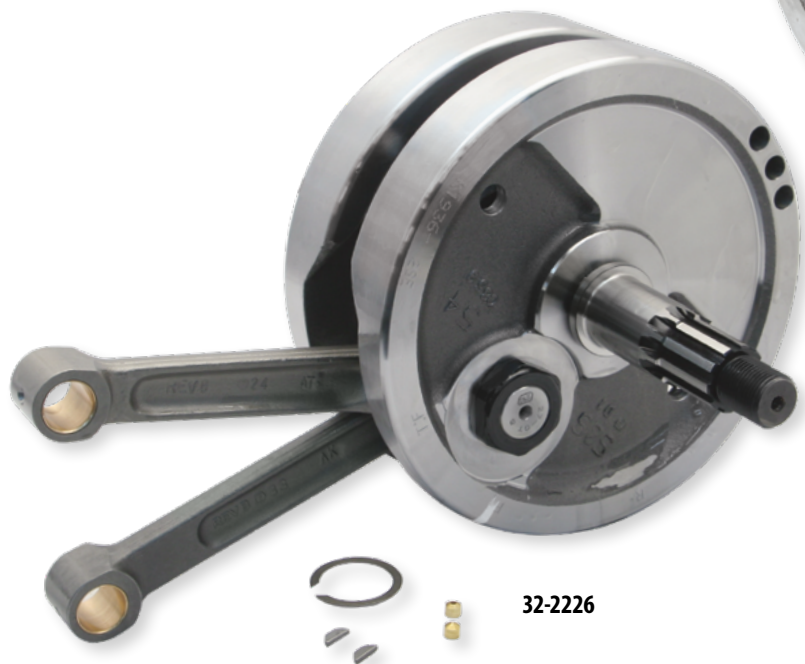


FITMENT

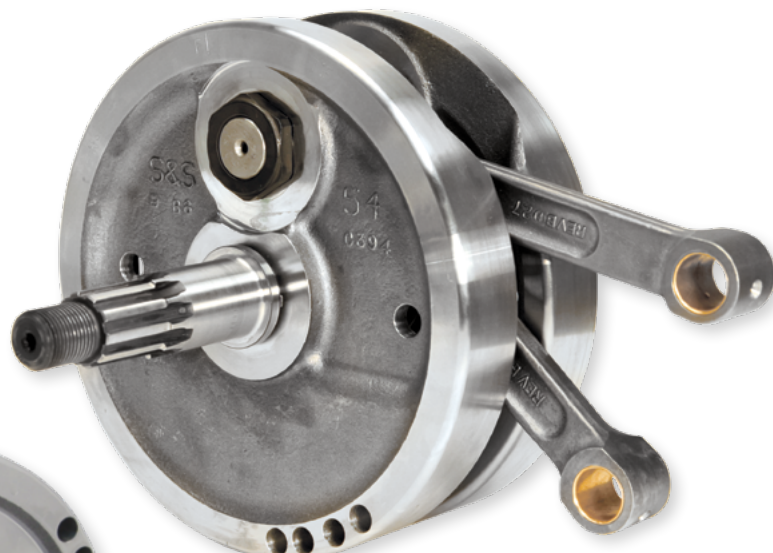
- KN-Series Engines
- P-Series Engines
- SH-Series Engines

FEATURES AND BENEFITS

- Exact same parts used in S&S production engines



32-2226



32-2235

REPLACEMENT FLYWHEEL ASSEMBLIES FOR KN-SERIES ENGINES 1936–'47

ENGINE	STROKE	DIAMETER	PART #	MSRP
KN74	3 ³¹ / ₃₂ "	8 ¹ / ₂ "	320-0014	\$1,601.95
KN93 Alt/Gen	4 ¹ / ₂ "	8 ¹ / ₂ "	106-4658	\$1,529.95

WARNING: Cancer and Reproductive Harm—www.P65Warnings.ca.gov

REPLACEMENT FLYWHEEL ASSEMBLIES FOR P-SERIES ENGINES 1954–'64

ENGINE	STROKE	DIAMETER	PART #	MSRP
P74	3 ³¹ / ₃₂ "	8 ¹ / ₂ "	320-0013	\$1,601.95
P93, P93H - 1965 Generator	4 ¹ / ₂ "	8 ¹ / ₂ "	32-2224	\$1,550.95
P93, P93H - Alternator/Generator	4 ¹ / ₂ "	8 ¹ / ₂ "	32-2226	\$1,704.95
P103 - Alternator/Generator	5"	8 ¹ / ₄ "	32-2990	\$1,595.95

REPLACEMENT FLYWHEEL ASSEMBLIES FOR SH-SERIES ENGINES 1966–'84

ENGINE	STROKE	DIAMETER	PART #	MSRP
SH80 - Alternator	4 ¹ / ₄ "	8 ¹ / ₂ "	32-2235	\$1,550.95
SH93, SH93H - Generator	4 ¹ / ₂ "	8 ¹ / ₂ "	32-2224	\$1,550.95
SH93, SH93H - Alternator/Generator	4 ¹ / ₂ "	8 ¹ / ₂ "	32-2226	\$1,704.95
SH103	5"	8 ¹ / ₄ "	32-2990	\$1,595.95

TRYING TO IDENTIFY A SET OF S&S FLYWHEELS? SEE FLYWHEEL I. D. CHART ON PAGE 220

For Big Twin Engines



33-2004



33-2002



33-2003



33-2001

TAPERED SPROCKET SHAFT ASSEMBLIES

1970-'99 Big Twin	PART #	MSRP
Fits S&S® SE or SL flywheels only	33-2004	\$163.95
1965-'69 BIG TWIN		
Fits S&S SE or SL flywheels only	33-2003	\$183.95
1955-'64 BIG TWIN		
Fits S&S SE or SL flywheels only	33-2002	\$40.95
1930-'54 BIG TWIN—INCLUDING UL SVBT		
Fits S&S E or Stock flywheels (includes motor sprocket nut) 24001-30	33-2001	\$183.95

REPLACEMENT PARTS FOR TAPERED SPROCKET SHAFT ASSEMBLIES

SPROCKET SHAFT NUT	PART #	MSRP
1930-'54	33-2031	\$50.95
1955-'84	33-2033	\$22.95
SPROCKET SHAFT KEY		
1930-'54	50-8224	\$12.95
1955-'84	50-8225-S	\$6.95
MOTOR SPROCKET NUT		
1930-'54 (fits S&S® sprocket shafts only)	33-2032	\$50.95

Sprocket Shaft Assemblies

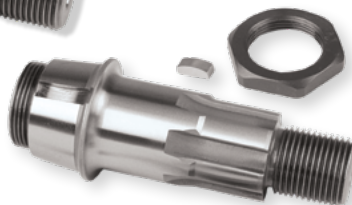
For Harley-Davidson® Sportster® Models



33-2301



33-2331



33-2302



50-8224

SPROCKET SHAFT ASSEMBLIES

1977-'85 SPORTSTER® MODELS	PART #	MSRP
Fits S&S D, SB, SBD, SC, SCD, SCDR, and SCR flywheels only	33-2302	\$214.95
1957-'76 SPORTSTER MODELS		
Fits S&S SB flywheels only	33-2301	\$193.95

REPLACEMENT PARTS FOR SPROCKET SHAFT ASSEMBLIES

SPROCKET SHAFT NUT	PART #	MSRP
Fits all S&S sprocket shafts for Sportster® models	33-2331	\$13.95
SPROCKET SHAFT KEY		
Key, .188" x .469", Steel	50-8224	\$12.95

All reference to HD® part numbers is for identification purposes only. We in no way are implying that any of S&S Cycle's products are original equipment parts or that they are equivalent to the corresponding HD® part number shown.

Order 608-627-1497

S&S Vintage 1936-1999



33-2024



33-2021

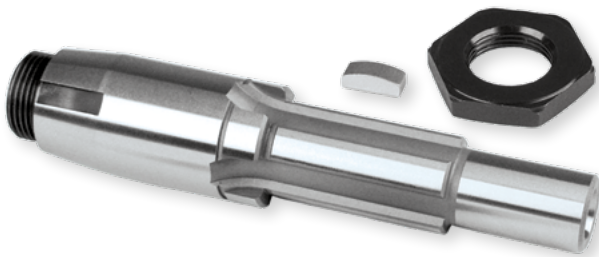


33-2027

PINION SHAFT ASSEMBLIES		
LATE 1981–'99 BIG TWIN—TAPERED PINION SHAFT	PART #	MSRP
Stock length for S&S or stock big twin crankcases. Fits S&S BL, SL, SM or stock flywheels.		
Standard (1.250") Bearing Diameter	33-2027	\$183.95
1958–EARLY '81 BIG TWIN—TAPERED PINION SHAFT		
Fits S&S L, AL, SE, or stock flywheels 24006-54A, 24006-73	33-2024	\$183.95
1939–'53 BIG TWIN—SPLINED PINION SHAFT		
Fits S&S E or stock flywheels	33-2021	\$185.95

REPLACEMENT PARTS FOR PINION SHAFT ASSEMBLIES		
PINION SHAFT NUT	PART #	MSRP
1939–'81	33-2031	\$50.95
1981 & 1984	33-2033	\$21.95
PINION SHAFT KEY		
1930–'81	50-8224	\$12.95
1981 & 1984	50-8225-S	\$6.95
METERING PLUG		
No Hole	50-8314±	\$7.95
.0625" Hole	50-8316±	\$10.95
.0925" Hole	50-8317±	\$8.95
PINION & OIL PUMP DRIVE KEY		
1958–'81 & 1984	50-8221-S	\$6.95
± ⚠️ WARNING: Cancer and Reproductive Harm—www.P65Warnings.ca.gov		

PINION SHAFT ASSEMBLIES FOR HARLEY-DAVIDSON® SPORTSTER® MODELS



33-2321



50-8316

50-8222-5

PINION SHAFT ASSEMBLIES		
1957–'76 SPORTSTER MODELS		
Fits S&S B, SB, or stock flywheels.	PART #	MSRP
Standard 24005-57	33-2321	\$262.95

REPLACEMENT PARTS PINION SHAFT ASSEMBLIES		
PINION SHAFT KEY	PART #	MSRP
1957–'81	50-8224	\$6.95
1981–'85 (11218)	50-8222-S	\$6.95
METERING PLUG		
1977–'85	50-8316	\$10.95

All reference to HD® part numbers is for identification purposes only. We in no way are implying that any of S&S Cycle's products are original equipment parts or that they are equivalent to the corresponding HD® part number shown.

For 1936–'84 OHV Big Twins

FITMENT

- Pumps are available for stock 1936–'84 big twin engines
- Custom engines using S&S crankcases

FEATURES AND BENEFITS

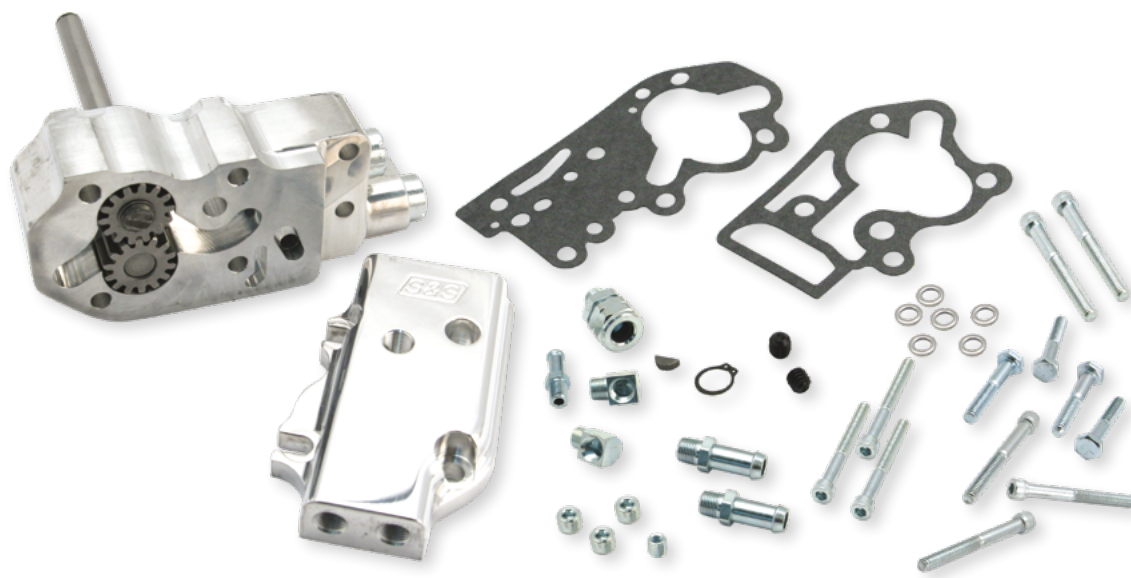
- Same width oil supply and return gears as the stock Harley-Davidson® aluminum pump
- S&S pinion and oil pump drive shaft drive gears increase potential oil volume delivery by 25% over stock on 1972 and earlier engines
- S&S pumps for 1936–'67 engines used with the S&S oil pump drive gears deliver 33% more oil than the original cast iron pump
- Machined with an oil pressure relief bleed off passageway—relieves pressure build up on top of the valve to maintain consistent oil pressure
- Oil pressure regulation bypass routes excess oil directly to the supply side of the pump—reduces the amount of oil returned to the tank, less foaming and cavitation
- The standard pump cover allows total flexibility for oil system configuration with a number of oil feed and return options

OPTIONS

- Pump only kits
- Pump with gears—includes drive gears and breather gear

KIT CONTENTS

- Complete oil pump assembly
- Mounting hardware, fittings and gaskets
- Instructions
- Pump with gear kits also include:
- Pinion shaft pump drive gear
- Oil pump drive shaft gear
- Breather gear



31-0503

OIL PUMP KITS FOR 1936–'84 BIG TWIN ENGINES[±]

YEAR/CRANKCASE	WITHOUT GEARS & SHIMS	MSRP	WITH DRIVE GEAR, BREATHER GEAR, & SHIM KIT	MSRP
KN-Series** (Silver Powder Coated)	106-4688	\$662.95	–	–
1936–'47	31-6200 [§]	\$442.95	–	–
1948–'53	31-6200	\$442.95	31-6292	\$661.95
1954–'69	31-6200	\$442.95	31-6293	\$648.95
1970–'77	–	–	31-6294	\$628.95
1978–'84	31-6203 [§]	\$438.95	31-6295	\$628.95

*Requires 1973–77 breather gear. **Uses a 28 lb pop-off spring to lower oil pressure at high RPM.

§Universal cover with top and bottom oil feeds.

± WARNING: Cancer and Reproductive Harm—www.P65Warnings.ca.gov

→ **REPLACEMENT PARTS: SEE PAGE 178**

OIL PUMP COVER ONLY FOR 1936–'91 BIG TWINS

DESCRIPTION	PART #	MSRP
Universal	31-6059 31-6041	\$112.95

All reference to HD® part numbers is for identification purposes only. We in no way are implying that any of S&S Cycle's products are original equipment parts or that they are equivalent to the corresponding HD® part number shown.

Order 608-627-1497

S&S Vintage 1936–1999



FITMENT

- 1936–'47 OHV big twins
- S&S® KN-Series engines

FEATURES AND BENEFITS

- Quality construction—Made in-house by S&S Cycle in Viola, Wisc.
- Higher lift and increased valve timing for better performance

APPLICATIONS

KN346 Cam: This is a service part cam for 74" knuckle engines. The KN346 cam is ground to stock specifications.

KN420 Cam: This "high-lift" cam for modified knuckle engines features .420" valve lift and increased duration for larger engines up to 93" and compression ratio of up to 8.5:1. Special high-lift valve springs are required.



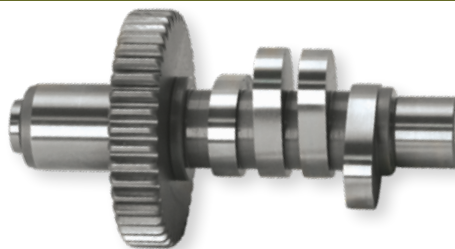
CAM SPECIFICATIONS FOR 1936–'47 OHV BIG TWINS AND KN-SERIES ENGINES										
CAM NAME	CAM TIMING (OPEN/CLOSE)		CAM DURATION		LOBE CENTERLINE		MAX VALVE LIFT		VALVE LIFT @ TDC	
	INTAKE	EXHAUST	INTAKE	EXHAUST	INTAKE	EXHAUST	INTAKE	EXHAUST	INTAKE	EXHAUST
KN420	31°/55°	60°/30°	266°	270°	102°	110°	.420"	.420"	.167"	.152"
KN346*	10°/51°	40°/12°	241°	232°	110.5°	104°	.346"	.346"	.085"	.100"

*Ground to stock specifications.

CAMS FOR 1936–'47 OHV BIG TWINS & KN-SERIES ENGINES		
CAM NAME	PART #	MSRP
KN420	106-2409	\$254.95
KN346	106-3676 (25522-36)	\$254.95

NOTE: S&S can do a special order cam, please contact your S&S customer service representative for more information

All reference to HD® part numbers is for identification purposes only. We in no way are implying that any of S&S Cycle's products are original equipment parts or that they are equivalent to the corresponding HD® part number shown.



FITMENT

- 1948–'69 engines with generator style crankcases
- 1970–'84 engines with alternator style crankcases
- Early SH-Series engines with stock style valve train

APPLICATIONS

S&S H-Grind: Service part for panhead and shovelhead engines. This grind is a dead-on reproduction of the stock cams used in 1948–1984 big twins. Perfect for repair and restoration of 74" and 80" engines. Available for generator engines with inner cam bushings or inner cam bearings, and for early and late alternator engines with different cam gear pitch diameters. Note that the front and rear cylinders have unique timing specs.

450S Cam: A bolt-in hydraulic cam for 74" and 80" shovelhead engines 1966–'79 and 1983–'84. (Can be used in 1981–'82 models if cylinder heads are updated to late style valve guides.) The 450S can also be used as a low end torque cam in modified shovelhead engines up to 88" with compression ratios of up to 8.5:1. Although designed for use with hydraulic tappets, the S&S 450S can be used with solid lifters. Use with solids will result in more valve train noise, slightly higher cylinder pressure, and slightly more torque. 1500–4500 rpm.

514 Cam: For 84" to 93" strokers with no greater than 9:1 CR—best gains occur in the mid range from 2500 to 5000 rpm where most riding is done. Relatively quiet and easier on the valve train than most other cams with lifts as high. Solid lifters or after-market hydraulic tappets are recommended, valve spring spacing and other normal clearing checks required. 2500–5000 rpm.

560S Cam: For 88" to 103" engines between 9:1 to 10:1 CR—Excellent power across the rpm range. Not recommended for stock displacement or lower compression engines. Requires high lift valve springs and normal clearance checks. Solid lifters only. 3500–6000 rpm.

NOTE: S&S can do a special order cam, please contact your S&S customer service representative for more information

CAMSHAFTS FOR 1948–'84 BIG TWIN ENGINES

CAM NAME	MODEL YEAR	PART #	MSRP
Service Part H-Grind	1948–'57	330-0164	\$254.95
	1958–'69	330-0170	\$254.95
	1970–'77	330-0165	\$254.95
	1978–'84	330-0166	\$254.95
S&S 450S	1948–'69	33-5062	\$254.95
	1970–'77	33-5063	\$254.95
	1978–'84	33-5064	\$254.95
S&S 514	1948–'69	33-5050	\$254.95
	1970–'77	33-5051	\$254.95
	1978–'84	33-5052	\$254.95
S&S 560S	1948–'69	33-5059	\$240.95
	1970–'77	33-5060	\$254.95
	1978–'84	33-5061	\$254.95

NOT LEGAL FOR SALE OR USE IN CALIFORNIA ON ANY POLLUTION CONTROLLED MOTOR VEHICLE. NOT LEGAL FOR SALE OR USE NATIONWIDE ON ANY FEDERAL POLLUTION CONTROLLED MOTOR VEHICLE UNDER THE CLEAN AIR ACT

CAM SPECIFICATIONS FOR 1948–'84 BIG TWIN ENGINES

CAM NAME	APPLICATION	MODEL YEAR	VALVE TIMING ¹ OPEN/CLOSE		VALVE DURATION		VALVE LIFT ²	LIFT @ TDC ³		SPRING SPACING REQUIRED	TAPPET ⁴ TYPE REQUIRED
			INTAKE	EXHAUST	INTAKE	EXHAUST		INTAKE	EXHAUST		
			OPEN BTDC/ CLOSE ABDC	OPEN BBDC/ CLOSE ATDC							
Service Part H-Grind	Service part replacement cam for pan and shovel engines	1948–'84	0°/40° F 20°/33° R	53°/12° F 53°/12° R	220° F 233° R	245° F 245° R	.389" F .391" R	.076" F .076" R	.131" F .131" R	No Bolt-In	Hydraulic
S&S 450S	Engines up to 88" with up to 8.5:1 CR Good low and mid range torque	1948–'84	18°/38°	40°/18°	236°	238°	.475" Pan .453" Shovel	.158" Pan 151" Shovel	.152" Pan .145" Shovel	No Bolt-In	Hydraulic or Solid
S&S 514	80" to 96" engines with 8:1 to 9:1 CR Good mid range	1948–'84	23°/43°	43°/23°	246°	246°	.540" Pan .514" Shovel	.177" Pan .169" Shovel	.177" Pan .169" Shovel	Yes	Solid
S&S 560S	88" to 103" engines with 9:1 to 10.1:1 CR Strong power	1948–'84	20°/55°	60°/20°	255°	260°	.587" Pan .560" Shovel	.176" Pan .168" Shovel	.176" Pan .164" Shovel	Yes	Solid

¹Timing designation is function of zero lash @ .053" off base circle.
²Pan and shovel lifts are determined by rocker arm ratio. Pan ratio is nominally 1.5:1 and shovel ratio is nominally 1.4:1. S&S rocker arms for shovels have 1.5:1 rocker arm ratio, so lift will be the same as pan lift.
³TDC lifts are measured at the valve and are for reference only. Overlap valve lifts must be checked on assembled motor.
⁴Cams specified for solid tappets may be used with modern high performance hydraulic tappets for shovelhead engines. Stock hydraulic tappets are not recommended. 1980–'81 engines require conversion to late style valve guides

Order 608-627-1497

S&S Vintage 1936–1999



FITMENT

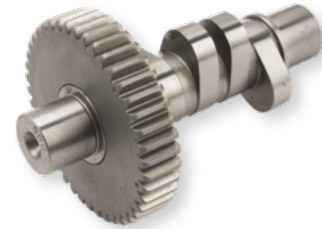
- 1954–'65 engines with S&S Head Update kit
- 1966–'84 engines with Hydraulic Conversion kit
- P-Series and SH-Series engines
- Custom generator style engines with 1984–'99 style top end

FEATURES AND BENEFITS

- Quality construction—Made in-house by S&S Cycle in Viola, Wisc.
- Higher lift and increased valve timing for better performance
- Quiet, dependable hydraulic valve train when used with S&S Hydraulic Conv



33-5131



106-6028

CAM SPECIFICATIONS FOR 1954–'84 BIG TWIN ENGINES REQUIRING 1984–'99 STYLE CAMS

CAM	APPLICATION	VALVE TIMING ¹ OPEN/CLOSE		VALVE DURATION		VALVE LIFT	LIFT @ TDC ²		SPRING SPACING REQUIRED	TAPPET TYPE REQUIRED
		INTAKE	EXHAUST	INTAKE	EXHAUST		INTAKE	EXHAUST		
		OPEN BTDC/ CLOSE ABDC	OPEN BBDC/ CLOSE ATDC	INTAKE	EXHAUST		INTAKE	EXHAUST		
S&S 513	74" - 84" Stock or low compression	18°/38°	40°/18°	236°	238°	.472"	.163"	.187"	No	Hydraulic
S&S 585	74"- 80" engines 8.5:1 - 9.5:1 CR 84" - 93" engines up to 8:1 - 9:1 CR	20°/45°	60°/20°	245°	260°	.540"	.172"	.166"	Yes	Hydraulic
S&S 600	93" - 103" engines 9:1 - 10:1 CR	20°/55°	60°/20°	255°	260°	.554"	.177"	.170"	Yes	Hydraulic
S&S 631	High rpm cam for 93" - 103" engines 11:1+ CR	34°/61°	66°/29°	275°	275°	.581"	.359"	.204"	Yes	Solid or Hydraulic
S&S 640	93" - up engines 10:1 or greater compression	25°/60°	65°/20°	265°	265°	.590"	.205"	.192"	Yes	Hydraulic

¹TIMING DESIGNATION IS FUNCTION OF ZERO LASH @ .053" OFF BASE CIRCLE.

²LIFTS AT TDC ARE MEASURED AT THE VALVE AND ARE FOR REFERENCE ONLY. OVERLAP VALVE LIFTS MUST BE CHECKED ON ASSEMBLED MOTOR. LIFTS BASED ON 1.5:1 ROCKER RATIO

CAMSHAFTS FOR 1954–'84 BIG TWIN ENGINES REQUIRING 1984–'99 STYLE CAMS

CAM	APPLICATION	GENERATOR PART #	MSRP	ALTERNATOR PART #	MSRP	TAPPET TYPE REQUIRED
S&S 513	74" - 84" Stock or low compression	106-6028	\$254.95	106-6027	\$254.95	Hydraulic
S&S 585	74"- 80" engines 8.5:1 - 9.5:1 CR 84" - 93" engines up to 8:1 - 9:1 CR	33-5131	\$254.95	33-5109	\$254.95	Hydraulic
S&S 600	93" - 103" engines 9:1 - 10:1 CR	33-5132	\$254.95	33-5058	\$254.95	Hydraulic

NOT LEGAL FOR SALE OR USE IN CALIFORNIA ON ANY POLLUTION CONTROLLED MOTOR VEHICLE. NOT LEGAL FOR SALE OR USE NATIONWIDE ON ANY FEDERAL POLLUTION CONTROLLED MOTOR VEHICLE UNDER THE CLEAN AIR ACT

LATE STYLE CAM RECOMMENDATIONS FOR PANHEAD AND SHOVELHEAD ENGINES

APPLICATION	RPM RANGE	COMPRESSION RATIO	IF YOU USED...	THEN USE	GENERATOR	ALTERNATOR
74"–Stock 84" low compression	Low - Mid 1500–4500 rpm	8.5 and below	S&S® 450 or Andrews® J or A	S&S® 513	106-6028	106-6027
74" and 80"–Modified	Mid - High 3500–6000 rpm	8.5–9.5	S&S® 514 or Andrews #3 or B	S&S® 585	33-5131	33-5109
84"–93"	Low - Mid 2500–5500 rpm	8.0–9.0	S&S® 514	S&S® 585	33-5131	33-5109
93" HC–103"	Mid - High 3500–6000 rpm	9.0–10.0	S&S® 495 or 560S	S&S® 600	33-5132	33-5058
High Compression	High 3500–6500 rpm	Over 10.0	S&S® 495 or 565S	S&S® 640	–	33-5108

NOTES: In order to achieve stated timing specifications, these cams must be used in engines with 1984–'99 style tappets.

These cams should not be ordered as replacement parts for early S&S SH-Series engines, or for any shovelhead engine equipped with stock valve train.

For replacement parts for these engines, select stock style cams and tappets.

S&S can do a special order cam, please contact your S&S customer service representative for more information



FITMENT

- 1939-1989

FEATURES AND BENEFITS

- Contain all the components that need to be installed on the pinion shaft for the specified year group.
- Kits for 1939-'53 and 1954-'77 can be used in 1972 and earlier engines to speed up the oil pump by 25% for more potential oil volume, since S&S oil pump drive gears are of the 1973 and later 6-tooth design.



106-3214

EARLY 1954-'77 S&S® BIG TWIN STYLE PINION SHAFT GEAR KITS

SIZE	COLOR CODE	PART #	MSRP
SMALLEST	White	106-3214	\$214.95
	Yellow	106-3216	\$195.95



33-4180

LATE 1977-'89* S&S® BIG TWIN STYLE PINION SHAFT GEAR KITS

SIZE	COLOR CODE	PART #	MSRP
BIGGEST	Yellow	33-4185	\$183.95
AVERAGE	Red	33-4148	\$185.95
	Blue	33-4181	\$183.95
SMALLEST	Black	33-4180	\$185.95

**Use this kit when installing an S&S® flywheel assembly in a 1990-'99 Engine*

INDIVIDUAL COMPONENTS

DESCRIPTION	PART #	MSRP
Pinion Shaft Gear Spacer Fits 1954-'89 big twin engine. 1,2,3	33-4289	\$10.95
Pinion Shaft Gear Nut 26349-54 Fits 1954-'89 big twin engine. 1,2,3	33-4244	\$53.95
S&S Upgrade Pinion Shaft Oil Pump Drive Gear 1939-'53 Big Twin-6-Tooth. Requires S&S part #33-4230 or 26345-73 drive shaft drive gear. Fits 1939-'53 stock and S&S pinion shafts.	33-4237	\$199.95
Pinion Shaft Oil Pump Drive Gear 26349-73, 26349-73A 1973-'89-6-Tooth. May be used in 1954-'72 engines, but requires S&S part #33-4230 or 26345-73 oil pump shaft drive gear. Fits 1954-'89 stock and 1958-'99 S&S pinion shafts.	33-4232	\$61.95
Oil Pump Drive Gear 24-Tooth Requires S&S part #33-4232, part #33-4237, or 26349-54 pinion shaft drive gear. Fits 1973-'99 big twin engine. 26349-73, 26349-73A	33-4230	\$50.95



NOTE: All S&S Pinion Shaft Gear Kits must be used with 1973-'99 style 24-tooth oil pump drive shaft gear such as S&S part #33-4230.

All reference to HD® part numbers is for identification purposes only. We in no way are implying that any of S&S Cycle's products are original equipment parts or that they are equivalent to the corresponding HD® part number shown.

Order 608-627-1497

S&S Vintage 1936-1999

High quality S&S pinion gears are carefully machined, heat treated and then finish ground.

Three distinct year groups, in up to eight different color coded sizes for optimum gear lash, are available for big twin engines. S&S color codes match Harley-Davidson® color codes so that replacement is easy. Just pick the appropriate color S&S gear that matches the color on the damaged stock gear (see notes).

NOTES: If the stock gear is unmarked and the size is unknown or you are scratch building an engine and have no gear, we recommend that you order a gear in the middle of the size range. These sizes were used more often and should provide adequate gear clearance under most circumstances. When in doubt, use a gear from the middle to the small side of the range, because a combination of looser fitting smaller gears is less likely to cause binding and premature wear. Consult the chart for the size and appropriate part number required. If you wish to achieve optimum cam gear to pinion gear fit, consult your factory service manual for instructions on fitting these gears before making a selection. Some sizes, particularly those on and near the ends of each range, are available on a limited basis because they are the extremes.



Early
1939–'53



Mid
1954–'77



Late
1977–'99

BIG TWIN STYLE PINION GEAR SELECTION CHART		
1954–'77		
SIZE / COLOR CODE	PART #	PART #
Biggest / Black	33-4122	\$142.95
Biggest / Red	33-4123	\$142.95
Average / Blue	33-4124	\$142.95
Average / Green	33-4125	\$142.95
Smallest / White	33-4126	\$142.95
Smallest / Yellow	33-4128	\$142.95
1977–'89*		
SIZE / COLOR CODE	PART #	PART #
Biggest / Orange	33-4141	\$112.95
Biggest / White	33-4142	\$112.95
Biggest / Yellow	33-4143	\$112.95
Average / Red	33-4144	\$112.95
Average / Blue	33-4145	\$112.95
Smallest / Green	33-4146	\$112.95
Smallest / Black	33-4147	\$112.95

Note: All S&S Pinion Shaft Gear Kits must be used with 1973–'99 style 24-tooth oil pump drive shaft gear such as S&S part #33-4230.

**Use this kit when installing an S&S flywheel assembly in a 1990–'99 engine.*

For 1936-'84 Big Twin

FITMENT

- 1936-'84 OHV big twins

FEATURES

- All steel construction—superior dimensional stability, abrasion
- Welded-in screen
- Higher flow than stock
- Elongated breather pocket scavange hole for increased suction

OPTIONS

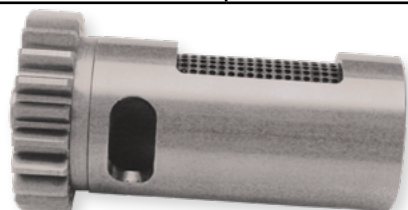
- Standard diameter for replacement or new builds
- +.030" diameter for damaged engines
- Breather gear only kits
- Breather gear and shim kits



33-4250

BREATHER GEAR KITS FOR 1936-'99 BIG TWIN

YEAR OF CAMSHAFT	STANDARD SIZE	MSRP	+.030" OVERSIZE	MSRP
1936-Early '47	106-6010	\$172.95	—	—
1948-Early '77	33-4253	\$167.95	33-4263	\$167.95
Late 1977-'99	33-4250	\$155.95	33-4260	\$155.95



106-5070



33-4241

BREATHER GEARS ONLY FOR 1936-'99 BIG TWIN

YEAR OF CAMSHAFT	STANDARD SIZE	MSRP	+.030" OVERSIZE	MSRP
1936-Early '47	106-5070 <small>25300-36</small>	\$140.95	106-6012	\$140.95
1948-Early '77	33-4246 <small>25313-73</small>	\$144.95	33-4247	\$144.95
Late 1977-'99	33-4241 <small>25310-82A, 25313-77B, 25311-90</small>	\$199.95	33-4242	\$199.95



33-4249

BREATHER GEAR SPACING SHIM KIT

DESCRIPTION	PART #	MSRP
Fits stock 1979-'82 and all S&S® steel breather gears. Includes one of each thickness: .100", .110", .120", .130", .140", .150", .160", .170"	33-4249	\$54.95

Order 608-627-1497

S&S Vintage 1936-1999



FITMENT

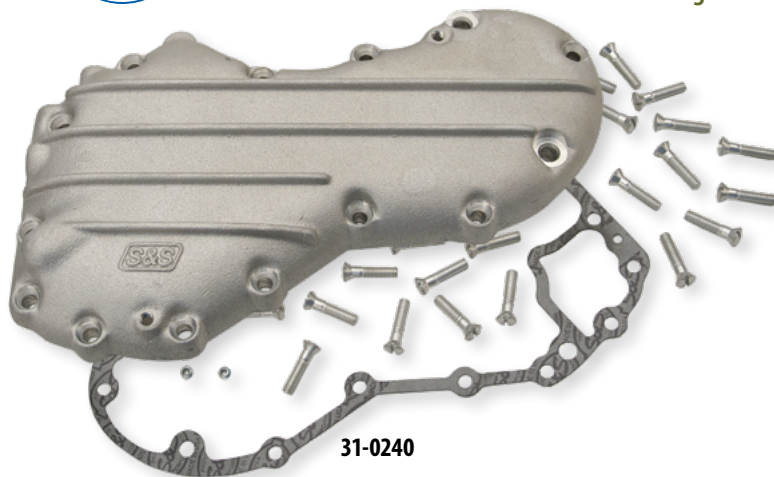
- 1936–'62 OHV big twins
- Available for stock and S&S crankcases

FEATURES AND BENEFITS

- Cast gearcovers—stock appearance
- Bushings installed and sized—ready to install

KIT CONTENTS

- Gearcover assembly
- Gasket and hardware
- Instructions

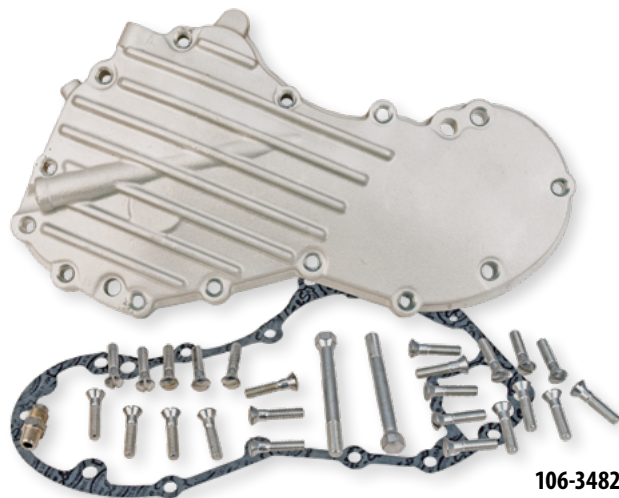


31-0240

FOR STOCK CRANKCASES—CAST GENERATOR GEARCOVERS

APPLICATION	HARDWARE TYPE	PINION BUSHING I.D.	DISTINGUISHING CHARACTERISTICS	PART #	MSRP
1940–early'48 OHV	¼"-24	1½"	8 Ribs, w/tapped hole for top end oiling, ¼" gen mount holes*	106-3198 25216-48	\$367.95
Late 1948–'53 OHV	¼"-24	1½"	8 Ribs, w/o tapped hole top for end oiling, ¼" gen mount holes*	106-3499	\$367.95
1954–'62 OHV	¼"-24 and ¼"-20	¾"	4 Ribs w/o stock outside oiler passage, ⅝" gen mount holes	31-0240 25216-58	\$377.95

*Generator mounting holes must be drilled to ⅝" for use with 1958-later generators. Cast generator gearcovers come with countersunk hardware



106-3482

FOR S&S® CRANKCASES—CAST GENERATOR GEARCOVERS

APPLICATION	HARDWARE TYPE	PINION BUSHING I.D.	DISTINGUISHING CHARACTERISTICS	PART #	MSRP
1940–'47 OHV	¼"-24 and ¼"-20	¾"	8 Ribs, w/tapped hole for top end oiling, ⅝" gen mount holes	106-3482	\$370.95
1954–'64 OHV	¼"-24 and ¼"-20	¾"	4 Ribs w/o stock outside oiler passage, ⅝" gen mount holes*	31-0240 25216-58	\$377.95
1965–'69 OHV	¼"-24 and ¼"-20	¾"	Smooth w/o outside oiler passage, ⅝" gen mount holes w/12 o'clock boss	106-1627	\$367.95

Cast generator gearcovers come with countersunk hardware.

*A tapped hole on top of the cover can be used to supply oil to the top end—similar to 1936–48 OHV big twins.

NOTE: S&S does not offer a direct replacement cover for 1963–'64 engines with outside oilers. —————> **REPLACEMENT PARTS: SEE PAGE 124**

All reference to HD® part numbers is for identification purposes only. We in no way are implying that any of S&S Cycle's products are original equipment parts or that they are equivalent to the corresponding HD® part number shown.

For 1973–'92 Big Twins

FITMENT

- 1973–'92 engines
- S&S alternator style SH-Series engines

FEATURES AND BENEFITS

- Machined from billet aluminum
- Available gloss black, polished, chrome plated
- Compatible with points or electronic ignition systems

KIT CONTENTS

- Billet gearcover, billet ignition cover, all gaskets and hardware, installation instructions



31-0335

BILLET GEARCOVERS FOR 1973–'92 BIG TWINS

FINISH	PART #	MSRP
Gloss Black	310-0898	\$581.95
Polished 1,2,3	31-0335	\$591.95
Chrome	106-4211±	\$591.95

± WARNING: Cancer and Reproductive Harm—www.P65Warnings.ca.gov

Cast Gearcovers

for 1973–'84 Big Twins

FITMENT

- 1973–'84 engines

FEATURES AND BENEFITS

- Flangeless
- Flanged with a chromed billet aluminum cover
- Machined from tough 356-T6 aluminum castings—the same material used to make S&S crankcases
- Inner cast aluminum cover and a decorative bolt-on outer cover
- Both versions will accept either points or electronic ignition systems

KIT CONTENTS

- Cast gearcover, Gaskets, Mounting Hardware



31-0203

CAST GEARCOVERS FOR 1973–84 BIG TWINS

DESCRIPTION	PART #	MSRP
Natural—Flangeless Tall	31-0203	\$298.95
Wrinkle Black—Flangeless Tall	31-0299	\$335.95

IGNITION COVERS

IGNITION COVER

DESCRIPTION	PART #	MSRP
Gloss Black	310-0897	\$70.95
Chrome	31-0332±	\$81.95

± WARNING: Cancer and Reproductive Harm—www.P65Warnings.ca.gov



31-0332±

Order 608-627-1497

S&S Vintage 1936–1999



GENERATOR CRANKCASE GEAR KIT FOR 1936–69 BIG TWIN ENGINES & CUSTOM ALT/GEN ENGINES

DESCRIPTION	PART #	MSRP
Standard Clockwise Rotation.	33-4226	\$785.95
Reverse Counterclockwise Rotation.	33-4227	\$703.95



33-4226

CIRCUIT BREAKER DRIVE GEAR ASSEMBLIES FOR 1936–69 BIG TWIN ENGINES

DESCRIPTION	PART #	MSRP
Standard/Clockwise Rotation. <i>25850-36A</i>	33-4215	\$377.95
Counterclockwise/Reverse Rotation. Requires S&S #33-4208 circuit breaker gear.	33-4209±	\$377.95

Shims not included

± WARNING: Cancer and Reproductive Harm—www.P65Warnings.ca.gov



33-4217

CIRCUIT BREAKER GEARS FOR 1936–69 BIG TWIN ENGINES

DESCRIPTION	PART #	MSRP
Standard Clockwise Rotation <i>32531-36</i>	33-4217	\$203.95
Reverse Counterclockwise Rotation Requires S&S #33-4209± circuit breaker gear assembly	33-4208	\$152.95
Roll Pin 7/64" Diameter 255	50-8025	\$6.95
Roll Pin 1/8" Diameter	50-8030	\$6.95

CIRCUIT BREAKER DRIVE GEAR SHAFT

DESCRIPTION	PART #	MSRP
Fits 1936–'69 big twin engines. <i>25856-36</i>	31-2037	\$51.95



31-2039

IDLER GEAR SHAFT

DESCRIPTION	PART #	MSRP
Fits 1936–'69 big twin engines <i>25791-36</i>	31-2039	\$20.95

BUSHING

DESCRIPTION	PART #	MSRP
Fits all S&S® circuit breaker drive and idler gears for 1936–'69 big twin engines	33-4214	\$25.95



33-4214



33-4221

IDLER GEAR ASSEMBLY

DESCRIPTION	PART #	MSRP
Fits 1936–'69 big twin engines. <i>(Shims not included.) 25775-36</i>	33-4216	\$247.95

CIRCUIT BREAKER DRIVE/IDLER GEAR SHIMS

Fits 1936–'69 big twin engines		
DESCRIPTION	PART #	MSRP
.050" Thick	33-4221	\$13.95
.054" Thick	33-4222	\$13.95
.058" Thick	33-4223	\$16.95
.062" Thick	33-4224	\$16.95
.066" Thick	33-4225	\$16.95

All reference to HD® part numbers is for identification purposes only. We in no way are implying that any of S&S Cycle's products are original equipment parts or that they are equivalent to the corresponding HD® part number shown.

For 1966-'84 Big Twins And P-Series Engines

FITMENT

- 1966-'84 shovel engines
- S&S® Vintage SH-Series and P-Series engines
- Cylinders will not fit OEM panhead engines

FEATURES AND BENEFITS

- High strength engineering-grade grey cast iron
- Excellent wear resistance
- Durable powder coat finish
- P-Series are silver powder coated

OPTIONS

- 3⁷/₁₆", 3³/₈", and 3¹/₂" bore
- Black or silver powder coat finish
- Available in sets or single front or rear cylinders
- Available fit with your choice of S&S pistons



Order 608-627-1497

CYLINDERS WITH PISTONS KIT

Displacement	Stroke	Bore	Cylinder Length	Compression Ratio	Part #	MSRP
74" LC	3 ³ / ₂ "	3 ⁷ / ₁₆ "	5.330"	8.0:1	91-9013	\$1,575.95
74" HC	3 ³ / ₂ "	3 ⁷ / ₁₆ "	5.330"	9.0:1	91-9012	\$1,606.95
80" LC	4 ¹ / ₄ "	3 ¹ / ₂ "	5.330"	8.0:1	91-9024	\$1,586.95
80" HC	4 ¹ / ₄ "	3 ¹ / ₂ "	5.330"	9.0:1	91-9023	\$1,534.95

Cylinders with pistons include cylinders, piston kit, head bolts, base nuts, and head & base gaskets. All piston kits include rings, wristpins, and clips. Recommended Piston Fit: Close: .0035" to .004" Loose: .0045" to .0055"

STOCK BORE STROKER CYLINDERS WITH PISTONS KIT

Displacement	Stroke	Bore	Cylinder Length	Compression Ratio	Part #	MSRP
84"	4 ¹ / ₂ "	3 ⁷ / ₁₆ "	5.330"	8.4:1	91-9017	\$1,637.95
86"	4 ⁷ / ₈ "	3 ⁷ / ₁₆ "	5.330"	9.4:1	91-9017	\$1,637.95
88"	4 ³ / ₄ "	3 ⁷ / ₁₆ "	5.330"	10.8:1	91-9017	\$1,637.95

Cylinders with pistons include cylinders, piston kit, head bolts, base nuts, and head & base gaskets. All piston kits include rings, wristpins, and clips. Recommended Piston Fit: Close: .0035" to .004" Loose: .0045" to .0055"

3⁵/₈" BORE STROKER CYLINDERS WITH PISTONS KIT

Displacement	Stroke	Bore	Cylinder Length	Compression Ratio	Part #	MSRP
88"	4 ¹ / ₄ "	3 ⁵ / ₈ "	5.330"	7.5:1	91-9001	\$1,637.95
93" LC	4 ¹ / ₂ "	3 ⁵ / ₈ "	5.405"	8.5:1	91-9101	\$1,560.95
93" HC	4 ¹ / ₂ "	3 ⁵ / ₈ "	5.363"	9.1:1	91-9031	\$1,682.95
96"	4 ⁷ / ₈ "	3 ⁵ / ₈ "	5.440"	9.0:1	91-9401	\$1,575.95
98"*	4 ³ / ₄ "	3 ⁵ / ₈ "	5.530"	8.9:1	91-9201	\$1,591.95
103"*	5"	3 ⁵ / ₈ "	5.630"	9.7:1	91-9302	\$1,682.95

Cylinders with pistons include cylinders, piston kit, head bolts, base nuts, and head & base gaskets. All piston kits include rings, wristpins, and clips. Recommended Piston Fit: Close: .0035" to .004" Loose: .0045" to .0055"
 *Small Diameter Flywheels

NOTES: Cylinders for P-Series engines will not fit stock pan cylinder heads. They are machined with a stock shovel head bolt pattern. Cylinders for P-Series engines do not have an internal oil feed passage for top end oiling. Not compatible with stock pan cases or heads.

S&S Vintage 1936-1999



FITMENT

- 1936–'47, 74", and 93" knuckle engines
- S&S® Vintage KN-Series engines

FEATURES AND BENEFITS

- High strength engineering-grade grey cast iron
- Excellent wear resistance
- Durable powder coat finish—high temp gloss black



106-2402

3-7/16" & 3-5/8" BORE CYLINDERS WITH PISTONS KIT FOR 1936–'47 OHV ENGINES							
Piston Series	Displacement	Stroke	Bore	Cylinder Length	Compression Ratio	Part #	MSRP
74 LC Forged	74"	3 3/32"	3 7/16"	5.530"	8:1	106-4519	\$1,560.95
3 5/8" Forged	93"	4 1/2"	3 5/8"	5.625"	8.2:1	106-2402	\$1,649.95

Cylinders with pistons include cylinders, piston kit, and head & base gaskets. All piston kits include rings, wristpins, and clips. Recommended Piston Fit: Close: .0035" to .004" Loose: .0045" to .0055".

NOTES: S&S® cylinder heads for 1940–'47 OHV big twins are machined for 7/16-20 head bolts and are not compatible with stock 7/16-16 head bolts. If using S&S heads with 3 7/16" bore cylinders, stock style hex head bolts for 1948–'65 big twins, part #106-4523 may be used. S&S 3 5/8" bore cylinders require the use of S&S 1966–'84 style 12 point head bolts part #93-3024, due to clearance issues.

Stock 1930–'78 hex style base nut kit is available in cadmium plate, part #106-4522, for 3 7/16" bore cylinders only. Stainless raised hex base nuts, part #93-3063-S, are required for 3 5/8" bore cylinders.

CYLINDERS			
3 7/16", 3 1/2", & 3 5/8" BORE CYLINDERS FOR 1966–'84 BIG TWIN—GLOSS BACK			
Displacement	Bore	Cylinder Sets	MSRP
74", 84", 86", 88" Stock Bore Strokers	3 7/16"	91-9011	\$1,256.95
80", 84"	3 1/2"	91-9021	\$1,274.95
88"	3 5/8"	91-9000	\$1,287.95
93"		91-9100	\$1,244.95
93" HC		91-9030	\$1,244.95
96"		91-9400	\$1,256.95
98" SD†		91-9200	\$1,256.95
103" SD†		91-9300	\$1,219.95

*†Small Diameter Flywheels **Some early S&S 93" and 96" Sidewinder® Kits were sold with 5.530" length cylinders. Use 91-9200 for replacement cylinders. Individual cylinders and cylinder sets without pistons are bored slightly under nominal size and are not honed. Individual cylinder assemblies and cylinder kits with pistons are honed to fit the pistons included.*

3 7/16" & 3 5/8" BORE CYLINDERS FOR 1936–'47 OHV ENGINES—HIGH TEMP GLOSS BLACK			
Displacement	Bore	Cylinder Sets	MSRP
74"	3 7/16"	106-4512 16492-41, 16483-41	\$1,366.95
93"	3 5/8"	106-4655	\$1,366.95

Cylinder set include cylinders, head gaskets, and base gaskets.



For 74" and 80" 1936-'84 OHV Engines

FITMENT

- 74" pistons fit 1936-'78, 74" OHV engines
- 80" pistons fit 1979-'84, 80" big twin engines and may be used in mild stroker engines with 4¼" stroke flywheels

FEATURES AND BENEFITS

- Forged pistons for superior strength
- Modern alloys and piston skirt profiles for low noise and long engine life
- Dome volume
 - 74 LC = 46cc
 - 74 HC = 57cc
 - 80 LC = 41cc
 - 80 HC = 53cc
- Piston kits include set of pistons, rings, wristpins, and clips

OPTIONS

- 74"-8:1 or 9:1 compression
- 80"-8:1 or 9:1 compression

S&S will fit these pistons to your existing cylinders (when purchasing new cylinders, pistons can be fit to them as an option)



Order 608-627-1497

S&S® STOCK BORE FORGED PISTON SPECIFICATIONS

Displacement	Bore	Stroke	Compression Ratio	Piston Deck Height
74"	37/16"	3¾"	8:1 and 9:1	1.436"
80"	3½"	4¼"	8:1 and 9:1	1.270"

Recommended Piston Fit Close: .003" - .0035" Loose: .004" - .005"

FORGED 74" PISTONS

Oversize	Deck Height	8:1 Compression	MSRP	9:1 Compression	MSRP
Standard (37/16")	1.436"	106-5495 22101-41, 22101-48	\$469.95	106-5503	\$469.95
+ .010"	1.436"	106-5496 22103-48, 22103-41	\$459.95	106-5504	\$459.95
+ .020"	1.436"	106-5497 22104-48, 22104-41	\$469.95	106-5505	\$469.95
+ .030"	1.436"	106-5498 22105-48, 22105-41	\$479.95	106-5506	\$479.95
+ .040"	1.436"	—	—	106-5775	\$469.95

REPLACEMENT RINGS FOR 74"

Oversize	Part #	MSRP
Standard (37/16")	94-2200X 22325-55B, 22355-53, 22355-48, 22355-41	\$64.95
+ .010"	94-2201X 22327-55B, 22357-48, 22357-41	\$65.95
+ .020"	94-2202X 22328-55B, 22358-53, 22358-48, 22358-41	\$65.95
+ .030"	94-2203X 22329-55B, 22359-48, 22359-41	\$64.95
+ .040"	94-2204X 22330-55B, 22360-48, 22360-41	\$65.95

FORGED 80" PISTONS

Oversize	Deck Height	8:1 Compression	MSRP	9:1 Compression	MSRP
Standard (3½")	1.270"	106-5511	\$469.95	106-5519	\$469.95
+ .010"	1.270"	106-5512	\$459.95	106-5520	\$459.95
+ .020"	1.270"	106-5513	\$469.95	106-5521	\$469.95
+ .030"	1.270"	106-5514	\$479.95	106-5522	\$479.95

REPLACEMENT RINGS FOR 80"

Oversize	Part #	MSRP
Standard (3½")	94-2206X 22334-78A, 22334-78B, 21920-83	\$64.95
+ .010"	94-2207X 22335-78A, 22335-78B, 21922-83	\$65.95
+ .020"	94-2208X 22336-78B, 21923-83	\$65.95
+ .030"	94-2209X 22337-78B, 21924-83	\$64.95

NOTES: Since many older motorcycles have been modified, be sure to confirm that your engine is still stock before ordering replacement pistons.

Using 80" pistons with 74" (3¾" stroke) flywheels will result in very low compression and poor performance. Using 74" pistons with 80" (4¼" stroke) flywheels will result in contact between piston and cylinder head, and potential engine damage.

REPLACEMENT WRISTPINS AND KEEPERS

Description	Part #	MSRP
Wristpin .791" diameter	106-6123	\$34.95
Wristpin keeper, c-clip	each	94-9254-S \$4.95
	4 pack	94-9254 \$8.95



FITMENT

- 84", 86", and 88" stroker engines for 1936–'84 OHV engines

FEATURES AND BENEFITS

- Forged pistons for superior strength
- Modern alloys and piston skirt profiles for low noise and long engine life
- Dome volume 50cc
- Piston kits include set of pistons, rings, wristpins, and clips

S&S will fit these pistons to your existing cylinders (when purchasing new cylinders, pistons can be fit to them as an option)

S&S FORGED STOCK BORE STROKER PISTON SPECIFICATIONS

Displacement	Bore	Stroke	Compression Ratio		Piston Deck Height
			Standard	LC	
84"	3 ⁷ / ₁₆ "	4 ¹ / ₂ "	8.1:1	7.3:1	1.100
86"	3 ⁷ / ₁₆ "	4 ⁵ / ₈ "	9.4:1	8.1:1	
88"	3 ⁷ / ₁₆ "	4 ³ / ₄ "	10.8:1	9.1:1	

Recommended Piston Fit Close: .003" — .0035" Loose: .004" — .005"



FORGED STOCK BORE STROKER PISTONS

Oversize	Standard	MSRP	Low Compression	MSRP
Standard (3 ⁷ / ₁₆ ")	106-5527	\$469.95	920-0073	\$591.95
+ .010"	106-5528	\$469.95	920-0075	\$591.95
+ .020"	106-5529	\$469.95	920-0077	\$591.95
+ .030"	106-5530	\$469.95	920-0079	\$591.95
+ .040"	106-5777	\$469.95	920-0081	\$591.95
+ .050"	106-5778	\$473.95	920-0083	\$591.95
+ .060"	106-5779	\$469.95	920-0085	\$591.95
+ .070"	106-5780	\$469.95	920-0087	\$591.95
+ .080"	106-5781	\$469.95	920-0089	\$619.95
+ .090"	106-5782	\$469.95	920-0091	\$601.95

NOTE: When ordering pistons for a shovel engine, please keep in mind that these pistons are sized by 3⁷/₁₆" standard bore for a 74" engine. If using 80" cylinders standard bore is 3¹/₂" or 3⁷/₁₆" +.060".

REPLACEMENT RINGS FOR FORGED STOCK BORE STROKER PISTONS

Oversize	Part #	MSRP
Standard (3 ⁷ / ₁₆ ")	94-2200X 22325-55B, 22355-53, 22355-48, 22355-41	\$64.95
+ .010"	94-2201X 22327-55B, 22357-48, 22357-41	\$65.95
+ .020"	94-2202X 22328-55B, 22358-53, 22358-48, 22358-41	\$65.95
+ .030"	94-2203X 22329-55B, 22359-48, 22359-41	\$64.95
+ .040"	94-2204X 22330-55B, 22360-48, 22360-41	\$65.95
+ .050"	94-2205X	\$61.95
+ .060"	94-2206X 22334-78A, 22334-78B, 21920-83	\$61.95
+ .070"	94-2207X 22335-78A, 22335-78B, 21922-83	\$64.95
+ .080"	94-2208X 22336-78B, 21923-83	\$61.95
+ .090"	94-2209X 22337-78B, 21924-83	\$61.95

REPLACEMENT WRISTPINS AND KEEPERS

Description	Part #	MSRP
Wristpin .791" diameter	106-6123	\$34.95
Wristpin keeper, c-clip	each 94-9254-S	\$4.95
	4 pack 94-9254	\$8.95

All reference to HD® part numbers is for identification purposes only. We in no way are implying that any of S&S Cycle's products are original equipment parts or that they are equivalent to the corresponding HD® part number shown.

Forged 3-5/8" Bore Pistons For 1936-'84 OHV Engines



S&S Vintage 1936-1999

FITMENT

- 88", 93", 96", 98" and 103" engines for 1936-'84 OHV big twins

FEATURES AND BENEFITS

- Forged pistons for superior strength
- Modern alloys and piston skirt profiles for low noise and long engine life
- Dome volume 30cc
- Piston kits include set of pistons, rings, wristpins, and clips

OPTIONS

- Available in 3/8" Standard, +.010", .020", .030", and .060" oversizes

S&S will fit these pistons to your existing cylinders (when purchasing new cylinders, pistons can be fit to them as an option)



106-5535

Order 608-627-1497

S&S® 35/8" BORE FORGED PISTON APPLICATION CHART

Displacement	Wristpin Deck Height	Stroke	Flywheel Diameter	Compression Ratio	Cylinder Length	
					SH-Series & P-Series Engines	KN-Series Engines
88"	1.260"	4¼"	8½"	7.5:1	5.330"	—
93"	1.260"	4½"	8½"	8.5:1	5.405"	5.625"
93" HC	1.260"	4½"	8½"	9.1:1	5.363"	—
96"	1.260"	4⅝"	8½"	9.1:1	5.440"	—
98"	1.260"	4¾"	8½"	8.9:1	5.530"	—
103"	1.260"	5"	8¾"	9.7:1	5.630"	—

FORGED 35/8" BORE PISTON SETS FOR 1936-'84 OHV BIG TWINS

Oversize	Wristpin Deck Height	Part #	MSRP
Standard (3/8")	1.260"	106-5535	\$418.95
+.010"	1.260"	106-5536	\$422.95
+.020"	1.260"	106-5537	\$407.95
+.030"	1.260"	106-5538	\$422.95
+.060"	1.260"	106-5789	\$407.95

Recommended Piston Fit Close: .003" - .0035" Loose: .004" - .005"

NOTE: Compression ratios will change when replacing existing pistons in S&S engines with this series of forged pistons. If higher compression is desired, we suggest shortening cylinders, or decking heads to achieve the desired compression ratio. A change of .060" will produce approximately 1 point of change in the compression ratio.

REPLACEMENT RINGS FOR FORGED 35/8 BORE PISTONS

Oversize	Part #	MSRP
Standard (3/8")	94-1220X	\$65.95
+.010"	94-1221X	\$61.95
+.020"	94-1222X	\$61.95
+.030"	94-1223X	\$61.95
+.060"	94-1226X	\$61.95

REPLACEMENT WRISTPINS AND KEEPERS

Description	Part #	MSRP
Wristpin .791" diameter	106-6123	\$34.95
Wristpin keeper, c-clip	each 94-9254-S	\$4.95
	4 pack 94-9254	\$8.95

37/16"—REPLACEMENT RINGS FOR CAST PISTON KITS

Oversize	Part #	MSRP
+.010"	940-0007	\$61.95
+.020"	940-0008	\$61.95





FITMENT

- 1966–'84 big twins
- SH-Series engines

FEATURES AND BENEFITS

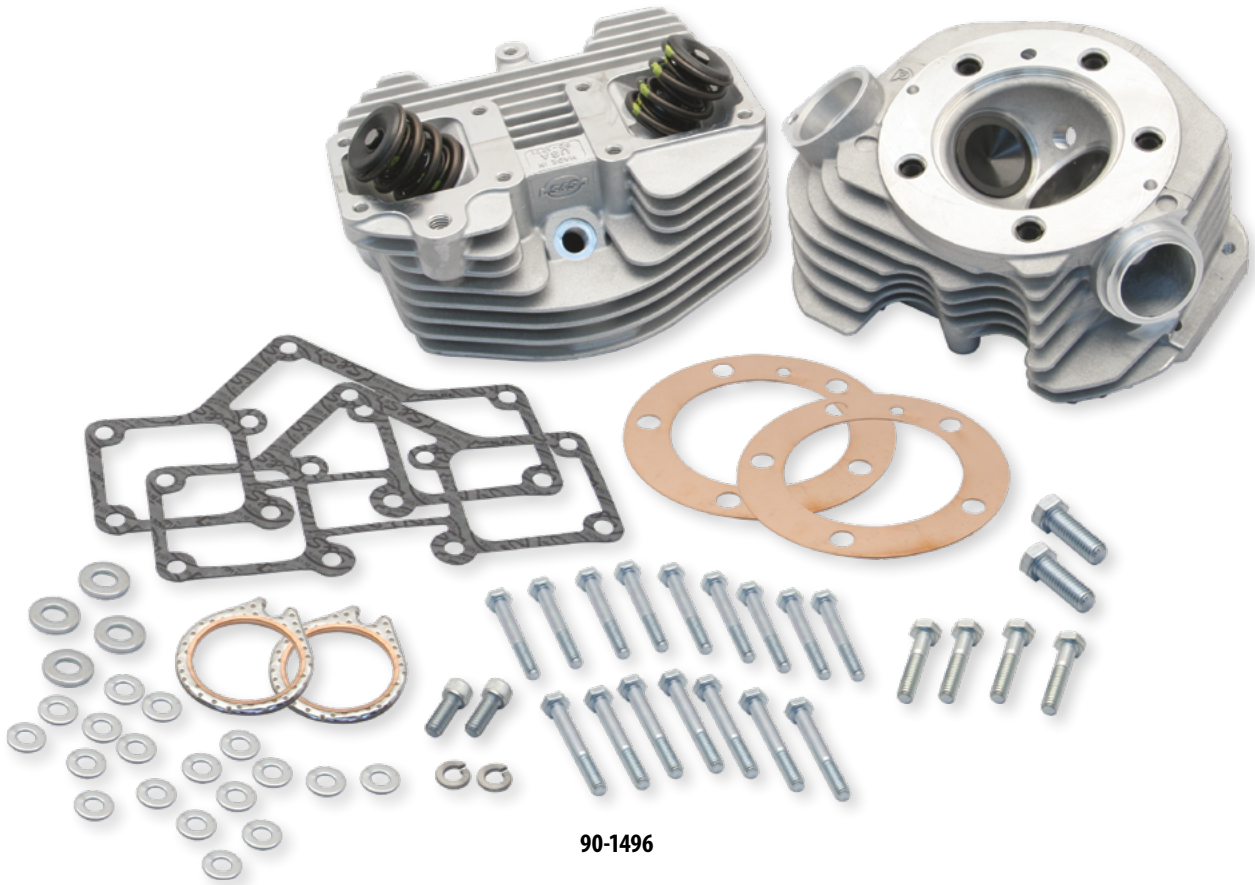
- Stock appearance and improved performance
- S&S .590" lift valve springs
- Fits stock intake manifolds and exhaust pipes
- Rocker cover fastened with 3/16" - 18 hex-head cap screws

OPTIONS

- Stock bore or 3 3/8" bore
- O-ring or rubber band style manifold
- Natural aluminum or wrinkle black powder coat finish
- Dual spark plugs and/or external oil return lines by special order

KIT CONTENTS

- Front and rear assembled cylinder heads complete with valves and .590" springs
- Head, rocker and exhaust gaskets
- Mounting hardware and instructions




→ REPLACEMENT PARTS: SEE PAGE 186

CYLINDER HEAD KITS FOR 1966–'84 BIG TWIN ENGINES					
Engine Year and Type	Bore	Aluminum Finish	MSRP	Wrinkle Black	MSRP
1966–'78 (O-ring)	Stock	90-1496	\$1,723.95	90-1596	\$1,884.95
	3 3/8"	90-1497	\$1,740.95	90-1597	\$1,806.95
	3 3/8" Dual Plug	90-1491	\$1,886.95	–	–
1979–'84 (Band)	Stock	90-1498	\$1,723.95	90-1598	\$1,866.95
	3 3/8"	90-1499	\$1,740.95	–	–
	3 3/8" Dual Plug	90-1488	\$1,886.95	–	–
Special Order*	Specify	90-1490*	Call for Pricing	90-1490*	Call for Pricing

*Use this special order part number to order assembled or unassembled cylinder heads with spring options, and special finish. Front or rear heads available by special order. Download the Special Order Form at sscycle.com/soforms
NOT LEGAL FOR SALE OR USE IN CALIFORNIA ON ANY POLLUTION CONTROLLED MOTOR VEHICLE. NOT LEGAL FOR SALE OR USE NATIONWIDE ON ANY FEDERAL POLLUTION CONTROLLED MOTOR VEHICLE UNDER THE CLEAN AIR ACT.

HEAD BOLT KITS FOR 1948-'84 BIG TWIN ENGINES

Description	Part #	MSRP	
1948-'84 Panhead & Shovelhead & 3 $\frac{1}{8}$ " Bore KN-Series Head Bolt Kit 6469HW 7 $\frac{1}{16}$ "-20 x 2 $\frac{3}{8}$ " 12 pt stainless steel bolt #93-3025 washers.	93-3024	\$113.95	
Stock Bore KN-Series & Stock Panhead 16814-48 Head Bolt Kit 7 $\frac{1}{16}$ "-20 x 2 $\frac{3}{8}$ " Hex cad plated bolt #106-4523 washers.	106-4523	\$101.95	
Oil Bypass Plug (Included with all S&S® stock bore shovelhead style cylinders) 	each	93-1032-S	\$14.95
	2 pack	93-1032	\$29.95

Order 608-627-1497



93-3024



106-4523

Shown: 1 bolt and washer. Kit includes 10 of each.

CYLINDER HEAD AND MOTOR MOUNTS

Description	Part #	MSRP
Complete Kit for 1948-'84 Big Twin —Fits panhead and shovelhead engines with cylinders up to 5.750" long 16852-67A, 16853-48	93-4057	\$59.95
Screw, HHC, 7/16-20 x 1-1/4" 4726	50-0176	\$6.95
Nut, Lock, HH, 7/16-20, Steel/Nylon 7825	50-5045	\$4.95
Washer, Flat, .469" x .922" x .125", Zinc, Steel 6495HW	50-7064	\$6.95



93-4057

CYLINDER BASE NUTS AND STUDS

Fitment	Description		Part #	MSRP
Cylinder Base Studs 1930-'84 Big Twin	Stock length base stud—Fits 61", 74", and 80" OHV and SV models 2.030" overall length 16831-30, 16837-30	each	31-2328-S	\$10.95
		8 pack	31-2328	\$50.95
<i>NOTE: This leaves approximately 1.400" above the base gasket surface with 1" of crankcase thread engagement</i>				
Base Nuts 1930-'78 Big Twin (stock bore only)	Base Nut Kit—Cadmium plated, includes lock washers	8 pack	106-4522	\$69.95
<i>NOTE: This leaves approximately 1.400" above the base gasket surfaces with 1.125" of crankcase thread engagement</i>				
Base Nuts 1966-'84 Big Twin	Stainless 7/16" hex allows the use of box end wrench to tighten base nuts on S&S Sidewinder® cylinders for shovelhead engines. Requires .375"-.400" stud engagement—stud height may need to be adjusted	each	93-3063-S	\$15.95
		8 pack	93-3063	\$101.95



Showing 1 nut & washer. Kit includes 8 of each



106-4522



31-2328-S



31-2324-S



93-3063-S

All reference to HD® part numbers is for identification purposes only. We in no way are implying that any of S&S Cycle's products are original equipment parts or that they are equivalent to the corresponding HD® part number shown.

Hydraulic Valve Train Conversion Kit For Shovelhead Engines



S&S Vintage 1936–1999

FITMENT

- 1966–'84 big twins
- 1953–'65 engines using shovel cylinders and P-Series heads or engines using P-Series valve train update kits

FEATURES AND BENEFITS

- Quiet, dependable hydraulic valve train
- Through the pushrod or external oiling options
- Easy pushrod installation and removal
- Wide selection of late style cams to choose from

OPTIONS

- Kit for use with S&S roller rocker arms for oiling through pushrods
- Kit for use with stock style rocker arms for oiling through external oil line

KIT CONTENTS

- Polished billet tappet guides
- Four 1984–'99 style tappets w/HL₂T kit
- Set of Quickee Adjustable pushrods
- Pushrod cover keepers
- Required hardware and gaskets



S&S
exclusive
TAPPET GUIDES
US PATENT PENDING

33-5452

HYDRAULIC VALVE TRAIN CONVERSION KIT FOR SHOVELHEAD ENGINES

Description	Part #	MSRP
For use with S&S roller rocker arms.	33-5451	\$1,091.95
For use with stock shovelhead style rocker arms	33-5452	\$1,091.95

REPLACEMENT PARTS

Description	Part #	MSRP	
Quickee Adjustable Pushrods for 74"–103" Shovels	For S&S Rocker Arms <i>(oil through pushrods)</i>	93-5123	\$220.95
	For Stock Rocker Arms <i>(oil through external oil lines)</i>	93-5134	\$214.95
Billet Tappet Guides— Polished	Set	33-5450[±]	\$509.95
	Front	33-5450F[±]	\$316.95
	Rear	33-5450R[±]	\$316.95
Tappets 1,2,3	Without HL ₂ T Kit <i>(Set of four)</i> 18523-86A	33-5352	\$381.95
	With HL ₂ T Kit <i>(Set of four)</i>	33-5353	\$409.95

[±] WARNING: Cancer and Reproductive Harm—www.P65Warnings.ca.gov

NOTES: 1984–'99 cams must be used with this kit to ensure correct valve timing. These cams are not included with the kit. Refer to **page 130** for S&S camshaft recommendations to be used with this kit. If sourcing cams from another manufacturer, note that timing specifications will be unchanged, but the actual lift will be about 9% lower than specified due to the difference in rocker arm ratio.

S&S billet tappet guides for shovelhead engines are similar in design to S&S tappet guides for 1984–'99 big twin engines. For that reason, they are not a direct replacement for stock parts, but must be used in conjunction with S&S tappets and cams for 1984–'99 big twin engines. Tappet bore geometry is corrected to compensate for the difference in pushrod angles between the engine types in order to maintain specified valve event timing. When selecting a cam, keep in mind that timing specifications will be the same as shown for 1984–'99 engines, but there will be about a 9% reduction in valve lift due to the lower shovelhead rocker arm ratio.

Order 608-627-1497



FITMENT

- 1953–'84 bt

FEATURES AND BENEFITS

- Precision machined tappets complete with premium hydraulic units
- Save money by reusing worn stock tappet guides with +.003" oversize



330-0381

HYDRAULIC TAPPET ASSEMBLIES—4 PACK		
Standard	330-0380	\$637.95
+.003" Oversized	330-0381	\$712.95

Hydraulic Tappet Components

FITMENT

- 1953–'84 bt

FEATURES AND BENEFITS

- Same quality components used in S&S tappet assemblies
- Compatible with stock tappets



330-0377

330-0384

HYDRAULIC TAPPET COMPONENTS			
Tappet Body—Standard	each	330-0384	\$92.95
Tappet Body - +.003"	each	330-0385	\$104.95
Hydraulic Insert	each	330-0379	\$113.95
Tappet Rollers*	4 pack	330-0377	\$163.95

*Fits 1929–'56 Side Valve bt, 1936–84 OHV big twins, and 1957–'85 Ironhead Sportster® models

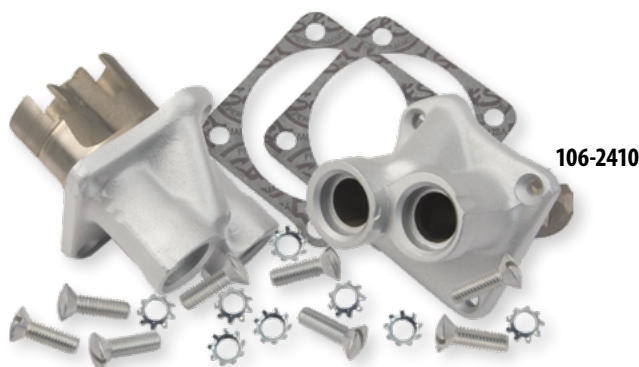
Tappet Guides For Knucklehead Engines

FITMENT

- 1936–'47 knucklehead and S&S® KN-Engines

FEATURES AND BENEFITS

- Cast iron
- Mounting hardware and gaskets included



106-2410

TAPPET GUIDES FOR KNUCKLEHEADS 1936–47 KNUCKLEHEAD AND S&S® KN ENGINES		
Description	Part #	MSRP
Tappet, Set, Standard	106-2410	\$673.95
Front only 18600-36	106-2665	\$438.95
Rear only 18610-36	106-2666	\$438.95

Tappets For Knucklehead Engines

FITMENT

- 1936–'47 knucklehead and S&S® KN-Engines

FEATURES AND BENEFITS

- Includes lifter body wrench flat
- Includes adjusting screw and nut



106-1819

TAPPETS FOR KNUCKLEHEADS				
Description	Standard	MSRP	+.005"	MSRP
Tappet Set	4 pack	106-1819	106-1820	\$387.95 / \$438.95
Tappet Assembly	Intake	each 106-1815 18491-36	106-1816	\$101.95 / \$112.95
	Exhaust	each 106-1817 18493-36	106-1818	\$101.95 / \$112.95



All S&S Quickee Pushrods are covered by US Patent No. 7644694

FEATURES AND BENEFITS

- Can be installed or removed from an assembled engine



WATCH THE S&S PUSHROD INSTALLATION VIDEO AT WWW.SSCYCLE.COM/VIDEOS

QUICKEE ADJUSTABLE PUSHRODS

Application	Displacement	Part #	MSRP
1966-'84 bt*(S&S Rocker Arms)	74"-103"	93-5123	\$220.95
1966-'84 bt*(Stock Rocker Arms)	74"-103"	93-5134	\$214.95

*S&S tappet guide, S&S 1984-'99 style tappets



NOTES: S&S Quickee Adjustable pushrods are designed for use with 1984-up hydraulic tappets. They are not compatible with stock or aftermarket hydraulic tappets for shovelhead engines or most solid style tappets.

See **page 146** for more information on S&S hydraulic valve train conversion kits, and see **page 154** for more info on S&S roller rocker arms.

Pushrod Kits For 1966-'84 Big Twin Engines

FEATURES AND BENEFITS

- 7/16" Chromoly steel tubing for maximum strength
- Reduced pushrod flex for precise valve control at high rpm
- Solid lifter conversion kits replace troublesome hydraulic tappets

NOTE: If using S&S tappet guides for shovelhead engines, see S&S Quickee Adjustable pushrods.

93-5067



ADJUSTABLE PUSHROD KITS FOR 1966-'84 BIG TWIN WITH SOLID LIFTER ADAPTERS <i>Includes adapters for converting 1953-'84 style hydraulic lifters to non-adjustable solids.</i>								
Cylinder Length	5.330" (Stock)	MSRP	5.405" (+ 1/16")	MSRP	5.530" (+ 3/16")	MSRP	5.630" (+ 5/16")	MSRP
Part #	93-5067	\$175.95	93-5014	\$175.95	93-5015	\$175.95	93-5016	\$175.95

93-5068



NON-ADJUSTABLE PUSHROD KITS FOR 1966-'84 BIG TWIN WITH ADJUSTABLE LIFTER ADAPTERS <i>Includes adapters for converting 1953-'84 style hydraulic lifters to adjustable solids. Adjuster screw in the lifter adapters.</i>		
Cylinder Length	5.330" (Stock)	MSRP
Part #	93-5068	\$175.95

PUSHROD KIT ONLY—FOR SOLID LIFTERS WITH 1948-'52 SOLID ADJUSTABLE LIFTERS

- Fits 1966-'84, 74", & 80" Shovelhead Engines
- Includes four non-adjustable steel pushrods. (*Pushrods are identical to those used in kit part #93-5068.*)
- Recommended for all shovelhead and shovelhead top/panhead bottom engines with 1948-'52 style lifters

NON-ADJUSTABLE PUSHROD KITS FOR 1966-'84 BIG TWIN <i>Pushrods for use with 1948-'52 stock style solid adjustable lifters.</i>		
Cylinder Length	Part #	MSRP
5.330" (Stock)	93-5069	\$101.95

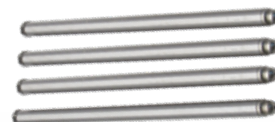


SERVICE PART PUSHROD KIT WITH HYDRAULIC LIFTERS

- Fits 1966-'84, 74", & 80" Shovelhead Engines
- Includes four adjustable steel pushrods. Stock adjusting screws (*not included*) must be used in these pushrods.

ADJUSTABLE PUSHROD KITS FOR 1966-'84 BIG TWIN <i>For hydraulic lifters. Service parts for 1966-'84.</i>		
Cylinder Length	Part #	MSRP
5.330" (Stock)	93-5070 17904-66	\$179.95

All reference to HD® part numbers is for identification purposes only. We in no way are implying that any of S&S Cycle's products are original equipment parts or that they are equivalent to the corresponding HD® part number shown.



Order 608-627-1497

- Converts valve train to solid lifter operation
- Includes all parts needed for conversion



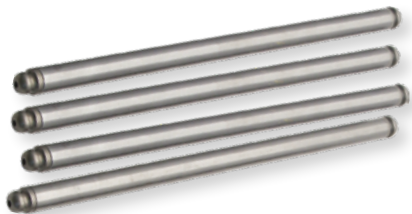
93-5058

PUSHROD KITS FOR 1948–'65 BIG TWIN NON-ADJUSTABLE PUSHRODS WITH ADJUSTABLE LIFTER ADAPTERS
Includes adapters for converting 1953–'84 style hydraulic lifters to adjustable solids.

Cylinder Length		Part #	MSRP
5.330"	(Stock 74")	93-5058	\$173.95
5.405"	(+ 1/16")	93-5082	\$179.95
5.530"	(+ 3/16")	93-5084	\$164.95

Solid Lifter Pushrod Kit—For 1948–'52, 61" & 74" Panhead Engines

- Converts stock 1948–'52 valve train to solid lifter operation.
- Requires stock 1948–'52 style adjustable lifters.
- Pushrods are identical to those used in kit part #93-5058. See above.



NON-ADJUSTABLE PUSHROD KITS FOR 1948–'52 BIG TWIN PUSHRODS ONLY
Solid lifter conversion pushrods for 1948–'52 stock adjustable lifters. Set of Four

Cylinder Length		Part #	MSRP
5.330"	(Stock 74")	93-5059 <small>17905-53B</small>	\$101.95

Service part Pushrod Kit—For 1953–'65 Panhead Engines with hydraulic Lifters

- Includes four adjustable pushrods

! MUST USE ORIGINAL ADJUSTING SCREW (NOT SUPPLIED)



ADJUSTABLE PUSHROD KITS FOR 1953–'65 BIG TWIN STOCK REPLACEMENT PUSHROD KITS
ADJUSTABLE PUSHROD KITS FOR HYDRAULIC LIFTERS.

Cylinder Length		Part #	MSRP
5.330"	(Stock 74")	93-5091	\$189.95

PUSHROD KITS FOR 1936–'47 BIG TWIN ENGINES

- Solid Lifter Pushrod Kit
- Fits 1936–'47, 61", 74" & 93" Knucklehead Engine
- Requires stock-style adjustable tappets
- Includes four aluminum non-adjustable pushrods
- The increase expansion of aluminum provides a quieter valve train



PUS HROD KITS FOR 1936–'47 BIG TWIN NON-ADJUSTABLE PUSHRODS KITS
SOLID LIFTER PUSHRODS FOR 1948–'52 STOCK ADJUSTABLE LIFTERS

Cylinder Length		Part #	MSRP
5.530"	(Stock 74")	92-1941 <small>17905-36</small>	\$469.95
5.625"	(KN93")	92-1943	\$469.95



Order 608-627-1497

FEATURES AND BENEFITS

- Eliminates the need to disassemble the top end and remove the rocker arms to change pushrods or camshafts
- Reduce installation time by 75%—Hence the name Time Saver
- Larger 9mm diameter chrome moly tubing provides superior strength and minimizes pushrod flex
- Single adjuster end provides pushrod lengths from 9.5" to 11.5" for stock height and taller engines
- Kit includes set of four pushrods and installation instructions
- Not compatible with stock shovelhead hydraulic tappets, but will work with tappets having 3/8" diameter cup

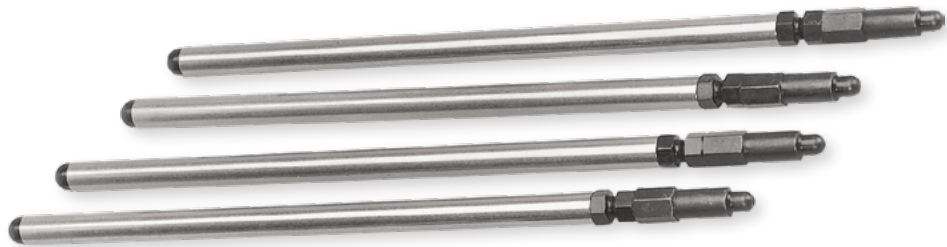


TIME-SAVER ADJUSTABLE PUSHRODS

Description	Part #	MSRP
Pushrod Set	930-0052	\$224.95

ADJUSTABLE CHROMOLY STEEL PUSHRODS

- Adjustable chromoly steel pushrods for 1966–'84 big twins
- Compatible with S&S or original equipment hydraulic tappets
- Set of four pushrods



ADJUSTABLE CHROMOLY STEEL PUSHRODS

Description	Part #	MSRP
Pushrod Set	930-0051	\$153.95

SOLID LIFTER CONVERSION KIT FOR 1953–'84 PANHEAD AND SHOVELHEAD ENGINES

- Hardened steel adapters, in place of stock hydraulic units in 1953–'84 lifters
- Use with stock adjustable pushrods



SOLID LIFTER CONVERSION KIT

Description	Part #	MSRP
Kit includes four adapters	33-5348	\$40.95
each	33-5336	\$11.95



S&S pushrod cover kits include all of the parts required for four pushrods, except keepers. Keepers are not included because of different length requirements of some engines, but are available separately. Pushrod covers and pushrod keepers are available for 1936–up big twin engines and 1986–'90 Harley-Davidson® Sportster® models. Consult the chart below for the pushrod keepers you require. Sold in kits of four assemblies; enough for one engine.



93-4040

PUSHROD COVER KITS

Includes top and bottom covers, cover cap, cover spring, and spring washer for four pushrods.

Description	Part #	MSRP
1979–'84 big twin engines (o-ring style bottom cover)	93-4040	\$193.95
KN-Series & 1936–'47 OHV big twin engines 17939-36	106-3949	\$203.95

NOTE: Keepers and o-ring kits are available but must be purchased separately.

PUSHROD COVER PARTS

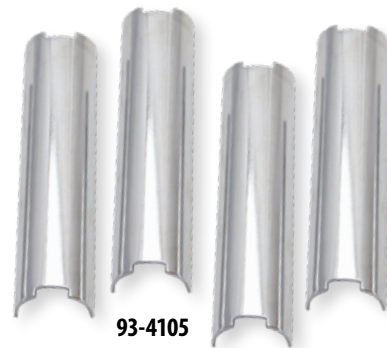
Description	Part #	MSRP
Top Cover 1966–up big twin 1,2,3 17935-66T, 17935-79B	93-4016	\$19.95
Top Cover KN-Series & 1936–'47 OHV big twin 17935-36	106-3850	\$25.95
Bottom Cover 1979–'84 big twin	93-4029-S	\$25.95
Bottom Cover KN-Series & 1936–'47 OHV big twin 17983-40	106-3851	\$40.95
Cover Cap 1936–up big twin, 1957–'90 Sportster® 17945-36B 1,2,3	93-4017	\$14.95
Cover Spring 1936–up big twin, 1,2,3 1957–'90 Sportster® 17947-36	93-4018	\$7.95
Cover Cap Washer 6762B	50-7131	\$6.95
Bottom Cover Washer 6737	50-7150	\$4.95
Pushrod O-ring Kit (For o-ring style bottom cover) <i>Includes parts for four pushrods: top, middle, bottom o-rings.</i>	93-4041	\$15.95
Top O-ring 11293, 11157, 11101, 11190	50-8039	\$6.95
Middle O-ring 11132A	50-8038	\$6.95
Bottom O-ring 11145A	50-8037	\$6.95
Quad Seal 11133A	50-8064-S	\$8.95
O-ring Square 17955-36	106-3849	\$7.95

All reference to HD® part numbers is for identification purposes only. We in no way are implying that any of S&S Cycle's products are original equipment parts or that they are equivalent to the corresponding HD® part number shown.



Order 608-627-1497

KEEPER LENGTHS FOR STOCK HARLEY-DAVIDSON® ENGINES	
74" & 80" shovelhead	3.330"
74" panhead	2.375"
74" knucklehead	3.312"
Ironhead Sportster®	2.375"
Shovelheads—with S&S tappet guides	2.900" (Subtract .430" from stock length)



93-4105

PUSHROD COVER KEEPER SETS FOR 1936-'99 BIG TWINS AND HARLEY-DAVIDSON® SPORTSTER® MODELS

Length / Finish	Description	Part #	MSRP
2.390" / Gloss Black		930-0127	\$40.95
2.400" / Chrome		93-4070 ± 17950-48	\$41.95
2.500"	Chrome	93-4100 ±	\$40.95
	Gloss Black	930-0142	\$40.95
2.600"	Chrome	93-4101 ±	\$41.95
	Gloss Black	930-0128	\$40.95
2.800" / Chrome		93-4115 ± 17950-86	\$40.95
2.900"	Chrome	93-4102 ±	\$40.95
	Gloss Black	930-0126	\$40.95
3.000" / Chrome		93-4103 ±	\$40.95
3.100"	Chrome	93-4104 ±	\$40.95
	Gloss Black	930-0125	\$40.95
3.200" / Chrome		93-4105 ±	\$40.95
3.330" / Chrome	74", KN74, 80", 84", 86", 88", 93", KN93	93-4106 ± 17949-40, 17950-66	\$40.95
3.500" / Chrome	96", 98"	93-4107 ±	\$40.95
4.250"	Custom. Extra long stainless steel 4.250". Customer to cut to required length.	93-4109	\$50.95



930-0142

Notes: Keepers are sold in sets of four. All S&S pushrod keepers are chromed steel, except part #93-4109. Keeper part #93-4109 is intended for unusually tall engines. It is manufactured of unchromed stainless steel to prevent rust or peeling after it is trimmed to the required length.

± WARNING: Cancer and Reproductive Harm—www.P65Warnings.ca.gov

REPLACEMENT PARTS FOR MANY OF THE COMPONENTS SUPPLIED IN S&S PUSHROD KITS ARE AVAILABLE SEPARATELY. IN SOME CASES THEY MAY BE USED AS DIRECT REPLACEMENTS FOR STOCK ITEMS.

PUSHROD RELATED REPLACEMENT PARTS

Description	Part #	MSRP
Adjusting Unit Screw—1936-'52 Style Fits stock 1936-'52 lifter with early stock 9/32"-32 threads. 18555-36	33-5332	\$12.95
Adjusting Unit Sleeve	33-5331	\$12.95
Ball End for S&S Adjustable Pushrods Fits S&S adjustable with 5/16"-32 threads. (Manufactured after 2-1-1996)	93-5002	\$16.95
Solid Lifter Adapter for S&S Adjustable Pushrod Converts stock 1953-'84 hydraulic lifter to non-adjustable solid lifter. For use with S&S adjustable pushrods in shovelhead engines (same as unit supplied in kit #93-5067)	33-5335	\$7.67
Adjusting Unit Locknut Fits S&S adjustable pushrods with early stock 9/32"-32 threads	33-5333	\$9.95
Fits S&S adjustable pushrods with 5/16"-32 threads. (Manufactured after 2-1-1996)	93-5003-S	\$8.95

All reference to HD® part numbers is for identification purposes only. We in no way are implying that any of S&S Cycle's products are original equipment parts or that they are equivalent to the corresponding HD® part number shown.



.550" LIFT DOUBLE VALVE SPRING KIT

For 1948–'84 big twins with up to .550" lift.

- Includes 4 inner springs, 4 outer springs, 4 aluminum top collars and late 1981–'85 bottom covers
- Use with stock-style bottom collar, valve guides, valves with stock 3/8" stem, and stock keepers
- Compatible with thin-stem valves if thicker keepers (that maintain correct valve stem-top collar engagement) are used
- Late single bottom collars are available for use in S&S cylinder heads for shovels and stock late 1981–'85 heads



90-2053

S&S® .550" VALVE SPRINGS SPECIFICATIONS—1948–'84 BIG TWIN

Lift	Installed Height	Seat Force	Force @ Max Lift
.550"	1.500"	150 lb.	343 lb.

.550 LIFT VALVE SPRING KIT FOR 1948–'84 PANHEAD AND SHOVELHEAD ENGINES

Description	Part #	MSRP
For 1948–'84 Panhead and Shovelhead Engines	90-2053	\$248.95
Bottom Collar—Late 1981–'84 18222-81 (each)	90-2038	\$21.95

NOTE: Panhead engines usually require clearancing between rocker cover and top collar.

.590" LIFT TRIPLE VALVE SPRING KIT

For 1981–'84 big twins and S&S SH and P Series heads with up to .590" lift.

- Includes 4 steel top collars, 4 bottom collars, 4 each outer, middle, and inner springs, shims, and 8 keepers
- Use with stock valve guides, stock valves with 3/8" stem, and stock keepers
- Compatible with thin-stem valves if thicker keepers (that maintain correct valve stem-top collar engagement) are used



S&S® .590" VALVE SPRINGS SPECIFICATIONS—1981–'84 BIG TWIN

Lift	Installed Height	Seat Force	Force @ Max Lift
.590"	1.480"	157 lb.	356 lb.

.590 LIFT VALVE SPRING KIT FOR—1981–'84 BIG TWIN

Description	Part #	MSRP
For Late 1981–'84 and All S&S Cylinder Heads	90-2063	\$234.95

NOTE: .590" spring kit is year-group specific because of different bottom collars supplied with early and late kits. S&S heads require late 1981–'84 style kit, part #90-2063. When ordering replacement valve springs for S&S cylinder heads for shovelhead engines, order the 1981–'84 style part #90-2063.

For 1936–'47 Big Twins

- Fits S&S KN-Series engines and stock 1936–'47 knucklehead engines
- Accommodates cams with valve lifts up to .480"
- Kit consists of inner and outer springs for four valves, spring collars, shims, and valve keepers.

S&S® .480" VALVE SPRINGS SPECIFICATIONS—1936–'47 BIG TWIN

Lift	Installed Height	Seat Force	Force @ Max Lift
.480"	1.315"	160 lb.	310 lb.



900-0535

.480" VALVE SPRINGS FOR 1936–'47 BIG TWINS

Description	Part #	MSRP
S&S Valve Spring Kit for 1936–'47 OHV bt	106-6398	\$406.95

REPLACEMENT PARTS FOR .480" VALVE SPRINGS

Description	Part #	MSRP	
Springs, valve, dual, .480"	<i>each</i>	106-4362	\$80.95
	<i>4 pack</i>	900-0535	\$244.95
Top collar, valve spring	106-3828	\$19.95	
Keepers, valve spring, top collar	<i>each</i>	90-2037-5	\$8.95
	<i>8 pack</i>	50-7165	\$40.95
Bottom collar, valve spring	106-3827	\$20.95	
Shim, valve spring .015"	106-4549	\$8.95	
Bottom collar spacer	106-5094	\$19.95	

NOTE: These springs will not fit over stock guides. Stock guides must be turned down or S&S® Vintage guides must be used.

ROLLER ROCKER ARMS FOR 1966–'84 BIG TWIN ENGINES

FITMENT

- 1966–'84 big twins
- P-Series engines
- SH-Series engines

FEATURES AND BENEFITS

- 8620 steel heat treated forgings for maximum strength
- .750" rocker arm bushing for 50% more load bearing area than stock .500" bushings
- Roller tip reduces valve tip wear and side thrusting
- 1.5:1 rocker ratio
- Oil passage allows top end oiling through pushrods
- Compatible with stock or S&S billet rocker boxes



900-4320A

ROCKER ARMS FOR SHOVELHEAD ENGINES

Description	Part #	MSRP
Set (includes two each front and rear rocker arms)	900-4320A	\$652.95
Front exhaust or rear intake 17375-66A	900-4320FA	\$203.95
Rear exhaust or front intake 17360-66A	900-4320RA	\$203.95

All reference to HD® part numbers is for identification purposes only. We in no way are implying that any of S&S Cycle's products are original equipment parts or that they are equivalent to the corresponding HD® part number shown.

Order 608-627-1497



FITMENT

- 1936–'47 OHV big twins
- Compatible with S&S® or stock tins
- Rocker arms are not compatible with stock rocker shafts

FEATURES AND BENEFITS

- High quality CNC machined
- 1:1 stock knuckle rocker arm ratio
- Improved oil control

KIT CONTENTS

- Four rocker arms FE, FI, RI, and RE, Four rocker shafts, Washers and spacers



106-2412

ROCKER ARMS AND SHAFTS FOR 1936–'47 OHV BIG TWINS

Description		Part #	MSRP
Rocker Arms and Shaft Set (includes hardware)	4 pack	106-2412	\$1,336.95
Rocker Shaft Set (includes spacers and hardware)	4 pack	106-2413	\$444.95
Nut and Washer Kit, Rocker Shaft Left Side 7837	4 pack	106-3632	\$11.95
Nut and O-Ring, Rocker Box, KN-Series 17447-36	each	106-4355	\$40.95

All reference to HD® part numbers is for identification purposes only. We in no way are implying that any of S&S Cycle's products are original equipment parts or that they are equivalent to the corresponding HD® part number shown.

Valve Spring Covers (Tins) For KN-Series engines

FITMENT

- KN-Series engines

FEATURES AND BENEFITS

- Improved design for better oil scavenging and less leaking
- Die-cast lower covers can be removed without pressing out valve guides
- Improved oil return lines are easy to replace and service
- Relatively stock appearance

OPTIONS

- Chrome, silver powder coat and gloss black powder coat finishes

KIT CONTENTS

- Lower cover kit contains set of four lower covers and gaskets
- Oil return lines must be purchased separately



900-0674

106-4446

OIL LINE RETURN 1936–'47 OHV BT (TINS ONLY)
CNC bent stainless steel for a perfect fit and long life

Description	Part #	MSRP
Kit of 4	106-4446	\$183.95
Front Intake	106-4447	\$61.95
Front Exhaust	106-4448	\$61.95
Rear Intake	106-4449	\$61.95
Rear Exhaust	106-4450	\$50.95
Seal, Oil Return Line, 28" OD x .18" ID x 1", Rubber Hose	106-4456	\$14.95
Rocker arm cover gasket kit	900-0493	\$241.95

VINTAGE VALVE SPRING COVER KITS

Description	Part#	MSRP	
Lower Cover Kit	Black anodized	900-0674	\$1,174.95

⚠ WARNING: Cancer and Reproductive Harm—www.P65Warnings.ca.gov

For 1936-'47 OHV Engines

FITMENT

- Faithful reproductions of the stock "knuckles" for 1936-'47 OHV big twins.

FEATURES AND BENEFITS

- Excellent for stock replacement and restoration.
- Does not include hardware and fittings.



900-0618

ROCKER ARM HOUSINGS FOR 1936-'47 OHV ENGINES

Description		Part #	MSRP
Polished	Set	900-0617	\$693.95
	Front	900-0618	\$377.95
	Rear	900-0619	\$377.95
Natural	Set	900-0622	\$489.95
	Front	900-0623	\$275.95
	Rear	900-0624	\$275.95

OIL FEED LINE

Description	Part #	MSRP
74" & 93"	106-4670	\$125.95



106-4670

Polished Billet Rocker Covers for 1966-'84 Big Twin Engines

FITMENT

- 1966-'84 shovelhead engines with stock or S&S cylinder heads
- SH-Series engines

FEATURES AND BENEFITS

- CNC machined from 6061-T6511 aluminum billet and polished to a show finish
- Two piece design for easy installation
- Some frames allow installation with engine in the frame
- Works with stock or S&S roller rocker arms
- Clearanced for valve lifts of up to .590" with S&S roller rocker arms
- Fastened to the heads with 3/16" bolts
- Simple and inexpensive straight rocker shafts

KIT CONTENTS

- Front and rear rocker box assemblies
- Rocker shafts
- Gaskets, seals and mounting hardware
- Installation instructions



90-4305

POLISHED BILLET ROCKER COVERS FOR 1966-'84 BIG TWIN ENGINES

Description	Part #	MSRP
Billet Rocker Cover Set for Shovelhead Engines	90-4305	\$1,287.95
Replacement Rocker Arm Shaft Set	90-4351	\$122.95

→ REPLACEMENT PARTS: SEE PAGE 188

Chrome Pan Covers For 1948-'65 Big Twins

CHROME PAN COVER

Description	Part #	MSRP
Set 17500-48A	106-0919 [±]	\$367.95
Replacement Parts		
D-ring Set 17507-51	106-0920	\$175.95
Screw, SHCS 10-24 x 3/4" 2674, 2675	106-0913	\$8.95
Rocker arm cover gasket 1948-'65 bt 117541-48	each	900-0329 \$23.95
	2 pack	900-0339 \$40.95



106-0919[±]

[±] WARNING: Cancer and Reproductive Harm—www.P65Warnings.ca.gov

All reference to HD® part numbers is for identification purposes only. We in no way are implying that any of S&S Cycle's products are original equipment parts or that they are equivalent to the corresponding HD® part number shown.

Order 608-627-1497



FITMENT

- Panhead, shovelhead, and Harley-Davidson® Ironhead Sportster® models

FEATURES AND BENEFITS

- Replace your flimsy and troublesome stock clamps
- ¾" wide and constructed of .020" thick stainless steel and use a curved 10-24 threaded "T"-bolt with plated steel aircraft hex locknut
- Sold individually—Two are required for each engine
- S&S intake manifold o-rings and rubberbands are made of special materials that resist destruction from the additives in today's fuel



16-0230



16-0231

1955–'78 BIG TWIN, 1957–'78 IRONHEAD SPORTSTER® MODELS, AND S&S KN, P, & SH SERIES ENGINES WITH O-RING STYLE CYLINDER HEADS

Description	Part #	MSRP
O-ring 27060-55	50-8046	\$9.95
10 Pack 27060-55	50-8132	\$59.95
Clamp for O-ring Style 27063-57	16-0230	\$28.95

1979–'84 BIG TWIN, 1979–'85 IRONHEAD SPORTSTER® MODELS WITH RUBBERBAND STYLE CYLINDER HEADS

Description	Part #	MSRP
Rubberband 27062-78	16-0238	\$9.95
10 pack 27062-78	16-0245	\$52.95
Clamp for Band Style 27063-80, 27063-78	16-0231	\$21.95

Electronic Timers

- Fits S&S and stock generator style cases and allows the use of S&S Super Stock™ or other late style electronic ignition systems. (Ignition sold separately).
- Requires reverse timing gears for use in generator style engines.
- The domed billet timer has a period correct look for 1964 and earlier engines.



106-4622 ±



55-1269

ELECTRONIC TIMERS

Description	Part #	MSRP
Billet generator style electronic timer	55-1269	\$741.95
Domed	106-4622±	\$734.95

± ⚠️ WARNING: Cancer and Reproductive Harm—www.P65Warnings.ca.gov

All reference to HD® part numbers is for identification purposes only. We in no way are implying that any of S&S Cycle's products are original equipment parts or that they are equivalent to the corresponding HD® part number shown.

For Stock Engines, P-Series, SH-Series & KN-Series Engines

- Manifolds for 1955-'65 panhead engines with "o-ring" style cylinder heads are available in 1 7/8" bore only.
- 1936-'54 knuckle and pan cylinder heads with "plumber" style intake mounting nipples must be converted to accept a 1955 to 1965 o-ring manifold.



16-1103

O-RING STYLE MANIFOLD FOR 1955-'65 BIG TWIN			
Cylinder Length	Manifold Length (Between Ports)	S&S ES, LS, A, Super B, E-Tillotson®, Bendix®, Keihin®	MSRP
Stock—5.330"	2.975"	16-1100	\$122.95
5.392"—+ 1/16"	3.025"	16-1101	\$254.95
5.455"—+ 1/8"	3.075"	16-1102	\$152.95
5.517"—+ 3/16"	3.125"	16-1103	\$254.95



16-1200

O-RING STYLE MANIFOLDS FOR 1966-'77 BIG TWINS						
Stock or S&S Engine Displacement	Cylinder Length	Size	S&S ES, LS, Super A, B, E, Tillotson®, Bendix®, Keihin®	MSRP	Super G	MSRP
74", 80", 84", 88"	Stock 5.330"	220	16-1200 27021-71A	\$121.95	16-2200	\$121.95
93" HC	5.363"	222	16-1201	\$121.95	16-2201	\$121.95
93"	5.405"	225	16-1223	\$121.95	16-2223	\$121.95
96"	5.440"	228	16-1202	\$121.95	—	—
98"	5.530"	235	16-1204	\$121.95	16-2204	\$121.95
103"	5.630"	242	16-1206	\$122.95	16-2206	\$122.95



16-2200

O-RING STYLE VOES MANIFOLD FOR KN-SERIES ENGINES			
Engine Type	Cylinder Length	S&S ES, LS, A, Super B, E-Tillotson®, Bendix®, Keihin®	MSRP
KN93	5.625"	106-4530	\$193.95
KN74	5.530"	160-0008	\$122.95

Equipped with a VOES fitting for use with the S&S Super Stock Ignition system. Heads must be set up with o-ring adaptor inserts part #106-4654 (2 required).



106-4530

O-RING STYLE MANIFOLDS WITH VOES FOR SH-SERIES AND P-SERIES ENGINES						
Stock or S&S Engine Displacement	Cylinder Length	Size	S&S ES, LS, Super A, B, E, Tillotson®, Bendix®, Keihin®	MSRP	Super G	MSRP
SH80	Stock—5.330"	220	16-1230	\$131.95	—	—
SH93H, P93H	5.363"	222	16-1231	\$151.95	—	—
SH93, P93	5.405"	225	16-1233	\$151.95	—	—
SH103, P103	5.630"	242	—	—	16-2236	\$132.95

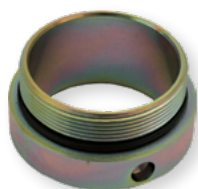


16-1230

O-RING STYLE MANIFOLDS FOR 1957-'78 HARLEY-DAVIDSON® IRONHEAD SPORTSTER® MODELS						
Engine Displacement	Cylinder Length	Size	S&S ES, LS, Super A, B, E, Tillotson®, Bendix®, Keihin®	MSRP	Super G	MSRP
900cc, 1000cc	Stock 5.330"	220	16-1200 27021-71A	\$121.95	16-2200	\$121.95

All reference to HD® part numbers is for identification purposes only. We in no way are implying that any of S&S Cycle's products are original equipment parts or that they are equivalent to the corresponding HD® part number shown.

Order 608-627-1497



106-4654

ADAPTOR		
Description	Part #	MSRP
Converts stock "plumber" style heads to o-ring <i>(sold each, two required)</i>	106-4654	\$61.95



16-1300

RUBBERBAND STYLE MANIFOLDS FOR 1978–'84 BIG TWINS						
Stock or S&S Engine Displacement	Cylinder Length	Size	S&S ES, LS, Super A,B, E, Tillotson®, Bendix®, Keihin®	MSRP	Super G	MSRP
74", 80", 84", 88"	Stock 5.330"	220	16-1300 27021-78	\$121.95	16-2300	\$132.95
93" HC	5.363"	222	16-1301	\$121.95	16-2301	\$132.95
93"	5.405"	225	16-1323	\$121.95	16-2323	\$129.95
96"	5.440"	228	16-1302	\$121.95	16-2302	\$142.95
98"	5.530"	235	16-1304	\$121.95	16-2304	\$132.95
103"	5.630"	242	16-1306	\$122.95	16-2306	\$132.95



16-1400

RUBBER BAND STYLE MANIFOLDS WITH VOES FITTING FOR 1983–'85 HD® IRONHEAD SPORTSTER® M ODELS					
Engine Displacement	Cylinder Length	Size	S&S ES, LS, Super A,B, E, Tillotson®, Bendix®, Keihin®	MSRP	
900cc, 1000cc	Stock 5.330"	220	16-1400	\$121.95	



16-2300

RUBBER BAND STYLE MANIFOLDS WITHOUT VOES FITTING FOR 1979–'82 HD® IRONHEAD SPORTSTER® MODELS						
Engine Displacement	Cylinder Length	Size	S&S ES, LS, Super A,B, E, Tillotson®, Bendix®, Keihin®	MSRP	Super G	MSRP
900cc, 1000cc	Stock 5.330"	220	16-1300 27021-78	\$121.95	16-2300	\$121.95

All reference to HD® part numbers is for identification purposes only. We in no way are implying that any of S&S Cycle's products are original equipment parts or that they are equivalent to the corresponding HD® part number shown.

FITMENT

- Super E carbs
- Teardrop air cleaner kits for stock carbs



NOSTALGIC AIR CLEANER COVER		
Description	Part #	MSRP
Polished, Super E & G	17-0071	\$224.95

NOTE: Super B and Super E & G air cleaner covers are not interchangeable. They each have a unique bolt pattern.

Air Horn Cover

FITMENT

- S&S short air horns

FEATURES AND BENEFITS

- Sand casted just like the originals
- Really hard to tell them apart from the real deal



AIR HORN COVER		
Description	Part #	MSRP
For S&S short air horns	17-0026	\$141.95

Air Horns & Air Horn Conversion Kits

SHORT AIR HORNS (2½")

- Fits S&S 1¾", 1⅞" L Series carbs and S&S 1⅞" Super A & B carbs
- Any stock carburetor with an identical air cleaner/air horn mounting pattern. These include Tillotson®, Bendix® or butterfly type Keihin®
- Available for S&S Super E & G carburetors

LONG AIR HORNS (4")

- Available for S&S Super E, G, & D carbs

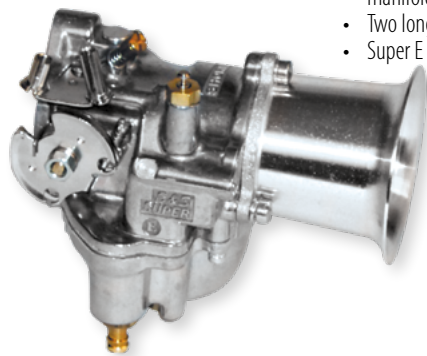
KIT CONTENTS

Air Horn Kit:

- Air Horn
- Three mounting screws

Air Horn Conversion Kit:

- Air horn
- Three mounting screws
- Carb support bracket (bracket connects the center crankcase bolt to the bottom manifold carburetor mounting bolt)
- Two longer bottom carb to manifold mounting bolts
- Super E & G air horn conversion kit includes an enrichment device



Installed Air Horn
(carb not included)

AIR HORN SELECTION CHART							
Description	Length	Super A & B	MSRP	Super E & G	MSRP	Super D	MSRP
Air Horn	2½"	17-0043	\$163.95	17-0484 ±	\$183.95	—	—
Conversion Kits	4"	—	—	17-0485 ±	\$183.95	—	—
Air Horn Only	2½"	17-0042	\$132.95	17-0331	\$122.95	—	—
	4"	—	—	17-0333	\$122.95	17-0141	\$181.95

± WARNING: Cancer and Reproductive Harm—www.P65Warnings.ca.gov

NOTES: S&S recommends that air horns be used in racing applications only, as they do not provide the filtration required to protect the engine on a day-to-day basis. Any installation of an air horn on an S&S carb in place of an air cleaner requires an S&S carb support bracket, part #16-0471, to securely fasten the carb to the engine. This bracket is included in the air horn conversion kits.

S&S recommends that the bowl vent plug at the bottom of carb body be removed when air horn is installed, as air horn may obstruct bowl vent in air cleaner mounting surface of the carb body.

Order 608-627-1497



FITMENT

- 1936–'84 big twins
- 1957–'85 Harley-Davidson® Ironhead Sportster® (except models with vertical magneto)

FEATURES AND BENEFITS

- Four fuel delivery ports—*Better throttle response*
- O-ring sealed idle mixture screw
- Increased air flow for more power
- Super E 1 7/8" (47.6mm) bore—*for engines up to 100" displacement*
- Super G 2 1/8" (52.4mm) bore—*for engines 100" or greater displacement*
- Adjustable enrichment starting system—*does not restrict air flow like a conventional choke*
- Adjustable accelerator pump
- S&S chrome Classic Teardrop air cleaner
- Two cable throttles required—*see notes*

OPTIONS

- Complete kits for engines requiring stock length manifolds
- Partial kits for engine requiring non-stock length manifolds (*order manifold separately*)
- Carb only kits for replacement and custom applications



KIT CONTENTS

- Super E or G carburetor assembly
- Manifold for stock height engine
- Manifold seals and clamps
- S&S chrome Classic Teardrop air cleaner kit
- All gaskets, hoses, and required hardware for installation
- Complete installation and tuning instructions

→ **REPLACEMENT PARTS: SEE PAGE 190**

SUPER E AND G CARBURETOR KITS								
Models	Super E Complete Kit <i>Manifold Included</i>		Super E Partial Kit <i>Manifold & Mounting Hardware Not Included</i>		5 Gallon Tanks [§]		Super G Complete Kit <i>Manifold Included</i>	
	Standard Tanks	MSRP	Standard Tanks	MSRP	Standard Tanks	MSRP	Standard Tanks	MSRP
BIG TWIN MODELS								
1979–'84	11-0411	\$782.95	11-0412	\$734.95	11-0418	\$700.95	11-0431	\$785.95
1966–'78	11-0402	\$772.95	11-0412	\$734.95	11-0418	\$700.95	11-0422	\$805.95
1955–'65*	11-0401	\$782.95	11-0412	\$734.95	–	–	–	–
HARLEY-DAVIDSON® IRONHEAD SPORTSTER® MODELS								
1979–'85†	11-0406	\$782.95	–	–	–	–	–	–
1957–'78†	11-0404	\$782.95	–	–	–	–	–	–
CARB ONLY								
All Years	11-0420	\$458.95	–	–	–	–	11-0421	\$499.95

*Outside oil lines that feed heads on knucklehead and 1963–'65 panhead engines must be refabricated or use a 1" spacer block for additional clearance.

†Does not fit engines equipped with vertical magneto.

§Shovelhead engines equipped with .075" longer than stock cylinders in chassis with five gallon gas tanks require additional air cleaner cover to gas tank clearance. Kits in this column include an air cleaner cover clearanced to fit these engines.

NOTE: 1979–'80 engines may be equipped with either o-ring or band style heads. Check before ordering.

NOT LEGAL FOR SALE OR USE IN CALIFORNIA ON ANY POLLUTION CONTROLLED MOTOR VEHICLE. NOT LEGAL FOR SALE OR USE NATIONWIDE ON ANY FEDERAL POLLUTION CONTROLLED MOTOR VEHICLE UNDER THE CLEAN AIR ACT.

⚠ WARNING: Cancer and Reproductive Harm—www.P65Warnings.ca.gov

NOTES: Stock motorcycles 1980 or earlier must be updated to a two cable pull open/pull closed throttle control system. A single cable pull open system cannot pull the throttle closed in case the throttle should accidentally stick in the open position. S&S offers high quality throttle cable kits in several lengths for this purpose. A press-on sleeve is also available to increase the diameter of the throttle grip area of 1972 and earlier handle bars to 1", allowing installation of modern throttle assemblies. See **page 165** for throttle cables and press-on sleeves.

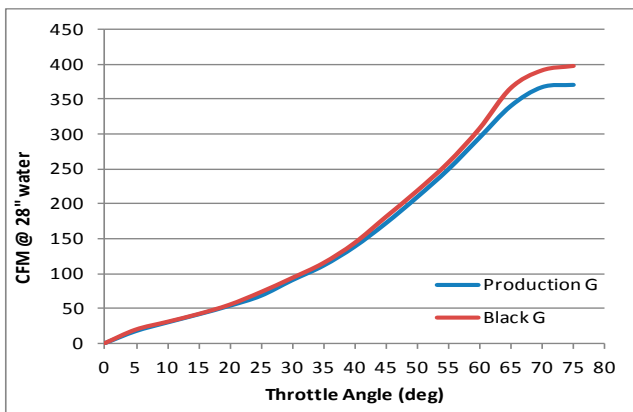
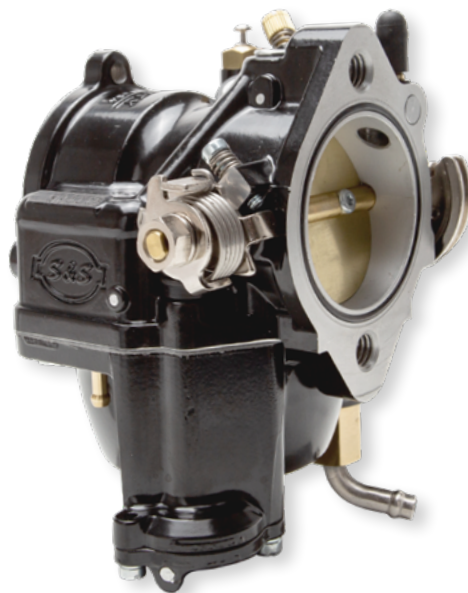
S&S "Shorty" carburetors will not fit Harley-Davidson® Ironhead Sportster® models with vertical magnetos due to clearance problems between the magneto and the carburetor. Shovelhead engines with five gallon gas tanks and cylinders that are taller than stock require a special notched air cleaner cover to clear the gas tank. Since these taller engines also require a special length manifold, select a carb with a notched air cleaner cover without a manifold from the chart and refer to the manifolds starting on **page 161** to select the correct length manifold.

S&S does not recommend polishing or chrome plating Super E & G carburetors. Our repair department has seen many carbs with passages plugged with polishing compounds and some carbs that had been destroyed because the polishing or chrome plating had altered critical machined surfaces.

Recommended for closed circuit use only—S&S Super E & G carbs shown are not approved for use on motor vehicles operated on California public highways, or in other states where similar pollution laws may apply. The user shall determine the suitability of the product for his or her use and shall assume all risk and liability in connection therewith.

FEATURES AND BENEFITS

- Exclusive black coating—heat and chemical resistant
- Increased venturi diameter!—specially machined for 7% more flow—See flow chart



Flow at WOT (wide open throttle) for the Black G carb increases 7% vs. the base S&S G carb

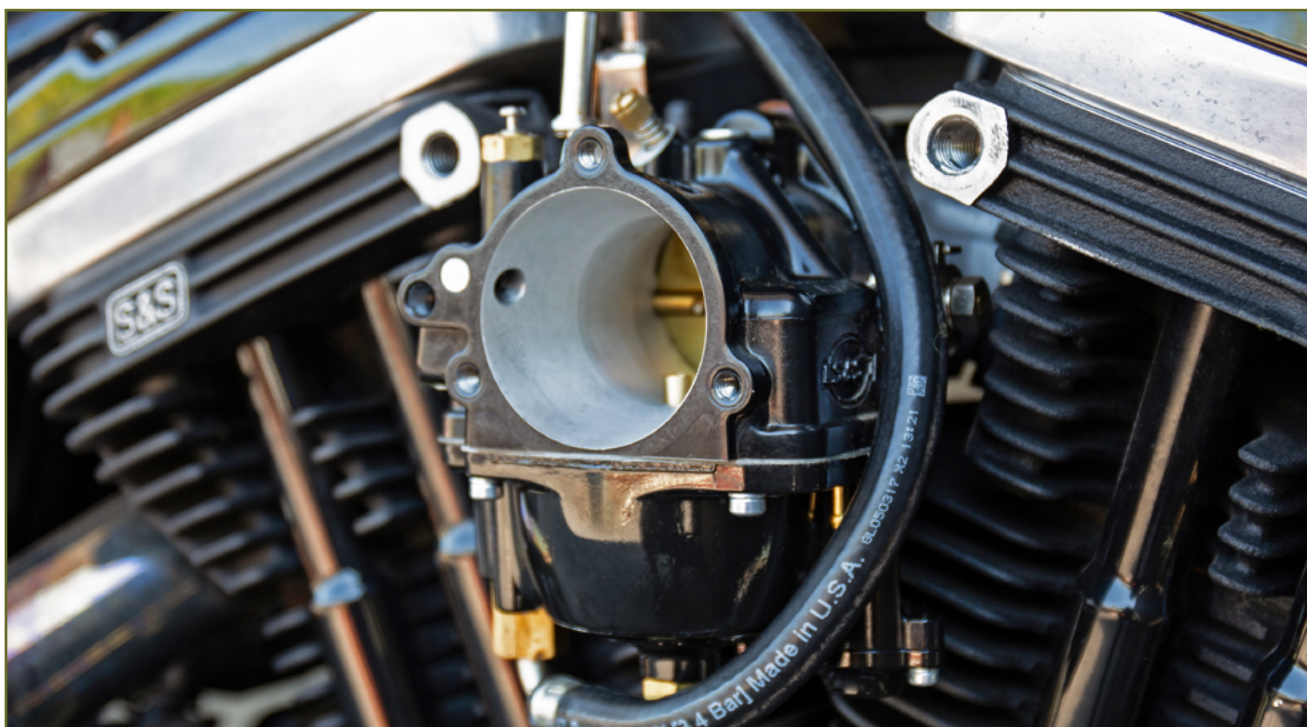
110-0099

BLACK CARBURETORS

Description		Part #	MSRP
Increased venturi diameter (7% more flow)	Super E Carb	110-0099	\$514.95
	Super G Carb	110-0100	\$540.95
Standard venturi diameter	Super E Carb	110-0133	\$530.95
	Super G Carb	110-0138	\$530.95

NOT LEGAL FOR SALE OR USE IN CALIFORNIA ON ANY POLLUTION CONTROLLED MOTOR VEHICLE. NOT LEGAL FOR SALE OR USE NATIONWIDE ON ANY FEDERAL POLLUTION CONTROLLED MOTOR VEHICLE UNDER THE CLEAN AIR ACT

NOTE: These black carb kits do not include air cleaners. Air cleaner options are available starting on *page 110*.



Order 608-627-1497



For those who need to rejet their carburetor because of engine modifications, exhaust modifications, or changes in altitude, we have extra jet kits available which are designed to cover most jetting situations.



11-3102

DEALER JET KITS		
Description	Part #	MSRP
S&S Jet Kit (Includes 3 each of all intermediate jets and 5 each of all main jets, plus a main jet tool)	11-3102	\$418.95

WARNING: Cancer and Reproductive Harm—www.P65Warnings.ca.gov

JET PACKS		
Description	Part #	MSRP
Low Range Jet Pack—For jetting most stock and moderate performance engines		
Includes one each intermediate jets (.025", .0265", .028", .0295") and one each main jets (.062", .064", .066", .068", .070", .072", .074")	11-7270	\$71.95
High Range Jet Pack—For jetting some stock and all performance engines		
Includes one each intermediate jets (.0295", .031", .032", .033") and one each main jets (.072", .074", .076", .078", .080", .082", .084")	11-7271	\$71.95
Master Jet Pack—For jetting all Super B, E, and G equipped engines		
Includes one each intermediate jets (.025", .0265", .028", .0295", .031", .032", .033") and one each main jets (.062", .064", .066", .068", .070", .072", .074", .076", .078", .080", .082", .084")	11-7272	\$112.95

WARNING: Cancer and Reproductive Harm—www.P65Warnings.ca.gov



11-7272

INTERMEDIATE JETS—SERIES #94 INDIVIDUAL SELECTION							
Size	QTY	Part #	MSRP	Size	QTY	Part #	MSRP
.025	each	11-0250	\$15.95	.032	each	11-0320	\$15.95
	3 pack	11-7107	\$40.95		3 pack	11-7112	\$40.95
.0265	each	11-0265	\$15.95	.033	each	11-0330	\$15.95
	3 pack	11-7108	\$40.95		3 pack	11-7113	\$40.95
.028	each	11-0280	\$15.95	.036	each	11-0360	\$15.95
	3 pack	11-7109	\$40.95		3 pack	11-7114	\$40.95
.0295	each	11-0295	\$15.95	.040	each	11-0400	\$15.95
	3 pack	11-7110	\$40.95		3 pack	11-7115	\$40.95
.031	each	11-0310	\$15.95	Blank	each	11-0000	\$11.95
	3 pack	11-7111	\$40.95				

WARNING: Cancer and Reproductive Harm—www.P65Warnings.ca.gov

NOTE: No returns or exchanges on jets.

Early Series #94 gas jets were stamped with single digit numbers. Conversions for these numbers are:

1.....	.025"	4.....	.033"
2.....	.028"	5.....	.036"
3.....	.031"	6.....	.040"

1984–1999 Evolution®
1936–1984 Vintage Engines
Tools & Shop Supplies
Warranty & Company Policy
Appendix

MAIN JETS—SERIES #72 INDIVIDUAL SIZE SELECTION							
Size	QTY	Part #	MSRP	Size	QTY	Part #	MSRP
.040	each	11-4040	\$14.95	.080	each	11-4080	\$14.95
	5 pack	11-7220	\$50.95		5 pack	11-7240	\$50.95
.042	each	11-4042	\$14.95	.082	each	11-4082	\$14.95
	5 pack	11-7221	\$50.95		5 pack	11-7241	\$50.95
.044	each	11-4044	\$14.95	.084	each	11-4084	\$14.95
	5 pack	11-7222	\$50.95		5 pack	11-7242	\$50.95
.046	each	11-4046	\$13.95	.086	each	11-4086	\$14.95
	5 pack	11-7223	\$50.95		5 pack	11-7243	\$50.95
.048	each	11-4048	\$14.95	.088	each	11-4088	\$14.95
	5 pack	11-7224	\$50.95		5 pack	11-7244	\$50.95
.050	each	11-4050	\$14.95	.090	each	11-4090	\$13.95
	5 pack	11-7225	\$50.95		5 pack	11-7245	\$49.95
.052	each	11-4052	\$14.95	.092	each	11-4092	\$15.95
	5 pack	11-7226	\$50.95		5 pack	11-7246	\$50.95
.054	each	11-4054	\$14.95	.094	each	11-4094	\$15.95
	5 pack	11-7227	\$50.95		5 pack	11-7247	\$50.95
.056	each	11-4056	\$14.95	.096	each	11-4096	\$14.95
	5 pack	11-7228	\$50.95		5 pack	11-7248	\$50.95
.058	each	11-4058	\$14.95	.098	each	11-4098	\$14.95
	5 pack	11-7229	\$50.95		5 pack	11-7249	\$50.95
.060	each	11-4060	\$14.95	.100	each	11-4100	\$14.95
	5 pack	11-7230	\$50.95		5 pack	11-7250	\$50.95
.062	each	11-4062	\$14.95	.102	each	11-4102	\$14.95
	5 pack	11-7231	\$50.95		5 pack	11-7251	\$50.95
.064	each	11-4064	\$14.95	.104	each	11-4104	\$14.95
	5 pack	11-7232	\$50.95		5 pack	11-7252	\$50.95
.066	each	11-4066	\$14.95	.106	each	11-4106	\$14.95
	5 pack	11-7233	\$50.95				
.068	each	11-4068	\$14.95	.110	each	11-4110	\$15.95
	5 pack	11-7234	\$50.95				
.070	each	11-4070	\$14.95	.115	5 pack	11-7255	\$50.95
	5 pack	11-7235	\$50.95		each	11-4115	\$14.95
.072	each	11-4072	\$14.95	.120	5 pack	11-7256	\$50.95
	5 pack	11-7236	\$50.95		each	11-4120	\$14.95
.074	each	11-4074	\$14.95		5 pack	11-7257	\$50.95
	5 pack	11-7237	\$50.95				
.076	each	11-4076	\$14.95				
	5 pack	11-7238	\$50.95				
.078	each	11-4078	\$14.95				
	5 pack	11-7239	\$50.95				

⚠ WARNING: Cancer and Reproductive Harm—www.P65Warnings.ca.gov

MAIN JET AIR BLEED KIT (ONE JET EACH SIZE)

Sizes	Part #	MSRP
.042" - .060"	106-3517	\$90.95
.084" - .120"	106-3518	\$73.95

⚠ WARNING: Cancer and Reproductive Harm—www.P65Warnings.ca.gov

S&S® CARBURETOR REBUILD KITS

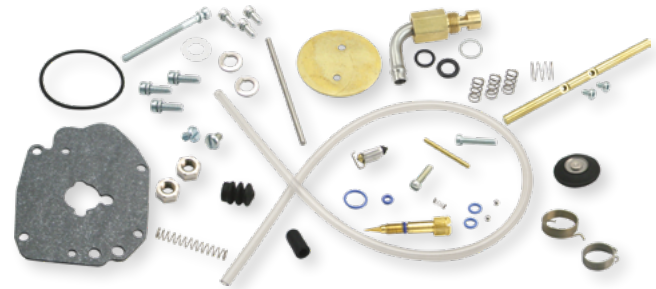
To insure that you continue to get the utmost in performance from your S&S carburetor, we have put together a series of rebuild kits that are designed to provide the proper parts to return a worn carburetor to top shape. We have assembled different types of kits to cover the different degrees of rebuild necessary.

MASTER REBUILD KITS

Master rebuild kits contain a body rebuild kit, accelerator pump rebuild kit (Super E and G only), all new fasteners, springs, idle mixture screw, seat, and needle assembly. Everything needed to completely rebuild one carburetor.

MASTER REBUILD KIT		
Description	Part #	MSRP
Super E	11-2923	\$112.95
Super G	11-2924	\$112.95

⚠ WARNING: Cancer and Reproductive Harm—www.P65Warnings.ca.gov



11-2923

BODY REBUILD KITS

Body rebuild kits for Super E and G carbs also contain throttle shaft nuts, nylon washers, accelerator pump o-ring, and accelerator pump boot. Body rebuild kits for Super E and G carbs do not contain throttle shaft bushings since these carbs have stainless steel throttle shaft bushings already installed.

BODY REBUILD KIT		
Description	Part #	MSRP
Super E	11-2906	\$61.95
Super G	11-2907	\$61.95

⚠ WARNING: Cancer and Reproductive Harm—www.P65Warnings.ca.gov



11-2907

BASIC REBUILD KIT

A gasket and seal kit for low mileage Super E & G carbs. Perfect to reassemble carbs taken apart for inspection and cleaning.

BASIC REBUILD KIT		
Description	Part #	MSRP
Super E & G	110-0067	\$50.95

⚠ WARNING: Cancer and Reproductive Harm—www.P65Warnings.ca.gov



ACCELERATOR PUMP REBUILD KITS

Accelerator pump rebuild kits contain diaphragm, diaphragm spring, check balls, check ball spring, pump pushrod, and required hardware and o-rings.

ACCELERATOR PUMP REBUILD KIT		
Description	Part #	MSRP
Super E & G	11-2918	\$28.95



EARLY STOCK STYLE TWO-CABLE THROTTLE ASSEMBLIES

- Designed to update 1981 and earlier chassis with 1" diameter handlebars for S&S Super E and G carbs or any other butterfly type carburetors with 1981–up stock style throttle linkage
- Cables are not interchangeable since they are specifically designed for the opening or closing side of throttle
- Kit contains throttle grips and both. Select kit with cable length desired. Cable measurement is from throttle grip to end of cable housing, barrel fittings are molded in place.



19-0448

EARLY STOCK STYLE TWO-CABLE THROTTLE		
Description	Part #	MSRP
Throttle Assembly with 36" Cables	19-0450	\$254.95
Throttle Assembly with 39" Cables	19-0448	\$254.95
Throttle Assembly with 42" Cables	19-0482	\$257.95
Throttle Assembly with 48" Cables	19-0449	\$254.95

S&S® THROTTLE CABLE APPLICATION CHART						
Application	Length Total Housing	Length Vinyl Housing	Open Side	MSRP	Close Side	MSRP
FX & FL models 1985 and earlier* big twins 1995 and earlier*	36"	32"	19-0432	\$81.95	19-0433	\$81.95
To 1995 Harley-Davidson® Softail® (FXSTC, FXST, FLSTC, FLSTF) 1986–'94 FXR, 1993–'95 Dyna®	39"	35"	19-0434	\$81.95	19-0435	\$81.95
To 1995 All FLT models	48"	44"	19-0462	\$81.95	19-0463	\$81.95
To 1995 custom application	42"	38"	19-0446	\$81.95	19-0447	\$81.95

*1980 and earlier must be converted to dual cable throttle assembly

UNIVERSAL THROTTLE ASSEMBLY

- Used with early style S&S carburetors including Early Style, L Series, Super B, Super D, and Two-Throat
- Can also be used with any other carburetor which uses a screw clamp style throttle arm
- Threads on both cables are the same size so cables are interchangeable. One end of each cable has a molded ball end, and the other end is plain. Cable can be cut to length required. Fits 1" diameter handlebars.



19-0229

UNIVERSAL THROTTLE ASSEMBLY		
Description	Part #	MSRP
Universal 48" Throttle Assembly	19-0229	\$254.95
Universal Replacement Throttle Cable	19-0224	\$81.95

REPLACEMENT PARTS		
Description	Part #	MSRP
S&S Universal Throttle Clamp	106-3520	\$50.95
Throttle Grip Clamp Set 1985–'95	106-3519	\$50.95
Top Throttle Grip Clamp only	19-0222	\$22.95
Bottom Throttle Grip Clamp only	19-0220	\$22.95
Throttle Grip Clamp Screw (Fits S&S throttle assemblies: Part #19-0448, #19-0449, #19-0482, #19-0450, and #19-0229)	50-0043	\$6.95
Throttle Grip Set	106-3521	\$81.95
Right Hand Grip only	19-0225	\$50.95
Left Hand Grip only	19-0226	\$40.95
Cable Adjuster - Fits S&S throttle assembly part #19-0229	19-0223	\$9.95
Cable Adjuster Jam Nut - Fits S&S throttle assembly part #19-0229	19-0227	\$4.95
Handlebar Spacing Sleeve 4" x 1" O.D. – converts 7/8" handlebars to 1" O.D.	19-0235	\$24.95



FITMENT

- 1970-1984 big twins
- 1971-1985 Ironhead Sportster® Models

FEATURES AND BENEFITS

- One piece machined aluminum housing reduces vibration and improves heat dissipation and reliability
- Improved kick start algorithm designed to start as easily as points
- BCD switches with solid detent and legible marking allow easy and repeatable adjustments of mode, advance rate, and rev limit
- Single-fire and dual-fire function built into a single module
- Flexible wiring harness makes installation easier
- Initial timing marks allow precise adjustment and reinstallation
- Sensor covers integrated into housing to provide protection during installation



550-0502

Order 608-627-1497

HI-4N PERFORMANCE IGNITION

Fitment	Part #	MSRP
Ignition only	550-0501	\$411.95
Kit Includes S&S® HI-4N Ignition, Single-Fire Coil, and 8.5mm double silicone, premium quality spark plug wires	550-0502	\$566.95

Super Stock® Ignitions

FITMENT

- S&S® SH-Series
- S&S KN-Series
- S&S P-Series



FEATURES & BENEFITS

- Electric-start mode allows the pre-ignition cranking to be set anywhere from 1 to 4 engine revolutions (*only available with current modules—earlier modules cannot be updated*)
- Pre-programmed ignitions are custom tailored for a specific S&S engine—no need for adjustments
- Single fire operation—requires a single fire coil for single spark plug applications
- Dual plugged applications require a pair of two tower coils or a single four tower coil
- Minimum 3.00 primary resistance
- Overload and short circuit protected
- VOES switches to less aggressive curve under load or hard acceleration
- 6300 rpm rev-limiter
- 24-hour break-in rev-limiter—prevents damage during break-in
- Data logging diagnostic capabilities



55-1352

SUPER STOCK® IGNITION MODULE AND KITS

Engine	Kit Part #	MSRP	Module Part #	MSRP
SH80	55-1350	\$494.95	55-1340	\$370.95
SH93/P93	55-1351	\$458.95	55-1341	\$384.95
SH93H/P93H/P74	55-1352	\$463.95	55-1342	\$406.95
SH103	—	—	55-1343	\$377.95
KN93/KN74	106-3201	\$463.95	106-3200	\$367.95

SUPER STOCK® IGNITION KIT REPLACEMENT PARTS

Description	Part #	MSRP
Pick-up Cup and Mounting Screw	55-1247±	\$21.95
Connector Kit ^{USA}	55-1249	\$14.95
VOES Switch with Hardware ^{USA}	55-1248	\$101.95
VOES Hose, 9" ^{USA}	each 19-0395	\$8.95
	5 pack 19-0398	\$21.95
VOES Manifold Fitting	16-0136-S	\$8.95
VOES Hose Tee	50-8124-S	\$8.95
Optional Parts		
S&S Single Fire Coil (3.00)	55-1571	\$193.95

NOTES: S&S Super Stock ignition systems are available in complete ignition kits and as replacement modules. S&S single fire ignition coils are available separately. Keep in mind that the curves are preset for a specific S&S engine, and that modules intended for one engine may not yield optimum results when used on another configuration.

Generator style engines require reverse timer gears and a special timer, designed to accept an electronic ignition. S&S offers two beautiful billet timers for this application.

± WARNING: Cancer and Reproductive Harm—www.P65Warnings.ca.gov



FITMENT

- 1940-'86 big twin
(year group authenticity is listed in the product descriptions below)

FEATURES AND BENEFITS

- Authentic detailing in cover casting
- Updates and improvements eliminate cracking problems of original covers
- Utilizes your stock hardware and filler plug, gasket included
- Heavy duty kicker boss with single bushing

Order 608-627-1497

TRANSMISSION COVER KITS			
Description	Part #	MSRP	
<p>1940-'47 Big Twins The G6 cover duplicates the external shape for 1940-'47. The G6 cover has a stamped in part number just as the original. The G6 date code stands for June of 1946. G6 Date Code 33277-36, 33277-36A</p>	106-6479-G6	\$219.95	
<p>1940-'86 Big Twins The 00 cover has no part number or date code. It was created with the custom application in mind where authenticity isn't a must, or polishing or other finishes are desired. 33277-36, 33277-36A</p>	106-6479-00	\$224.95	
REPLACEMENT PARTS			
Description	Part #	MSRP	
Bushing	Lower, Clutch Arm 33290-38	106-6473	\$19.95
	Upper, Clutch Arm 33291-36	106-6474	\$40.95
Kicker Shaft	106-6475	\$23.95	
Gasket 33295-36	560-0012	\$9.95	
Oil Seal/Seal, 1" OD x .75" Shaft x .125"	106-6476	\$25.95	



106-6479-00



106-6479-G6

All reference to HD® part numbers is for identification purposes only. We in no way are implying that any of S&S Cycle's products are original equipment parts or that they are equivalent to the corresponding HD® part number shown.

REBUILD GASKET KITS FOR S&S® ENGINES & HOT SET UP KIT®

Description	Bore	Part #	MSRP
SH-Series 1966–'84	3½"	106-0407	\$234.95
P-Series/SH-Series 1948–'84	3⅝"	106-0408	\$256.95
KN-Series 1936–'47	3⅜"	106-2414	\$356.95

TOP END GASKET KITS

Description	Bore	Part #	MSRP
P Series/SH-Series 1966–'84	3⅝"	90-9501	\$205.95
P Series/SH-Series 1966–'84	3½"	90-9500	\$203.95

CYLINDER HEAD GASKET KITS

Description	Bore	Part #	MSRP
P Series/SH-Series 1966–'84	3⅝"	90-1918	\$102.95
P Series/SH-Series 1966–'84	3½"	90-1917	\$112.95

HEAD GASKETS FOR S&S® P-SERIES AND SH-SERIES 1948–'84 (SHOVELHEAD BOLT PATTERN)

Description	Thick-ness	Bore	Part #	MSRP	
Copper	.032"	3⅝"	each	93-1042	\$40.95
			10 pack	93-1062	\$326.95
Copper 16770-668	.032"	3⅞" & 3½"	each	93-1041	\$40.95
			10 pack	93-1061	\$319.95

HEAD GASKETS FOR S&S® SW FOR PAN/KNUCKLE (PANHEAD HEAD BOLT PATTERN)

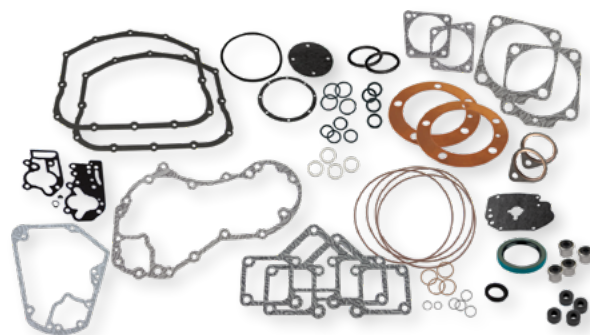
Description	Thick-ness	Bore	Part #	MSRP
Composite	.032"	3⅝"	each 93-1019	\$40.95

HEAD GASKETS FOR KN-SERIES 1936–'47

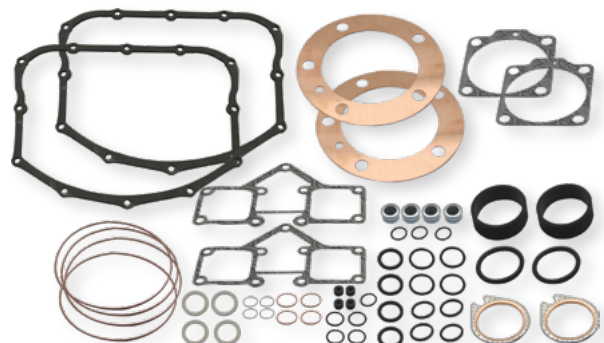
Description	Thick-ness	Bore	Part #	MSRP	
Copper	.032"	3⅝"	each	106-2681	\$43.95
			2 pack	106-2432	\$81.95
Copper	.032"	3⅞"	2 pack 106-2689	\$79.95	

HEAD GASKETS FOR FH-SERIES AND UL 1938–'48

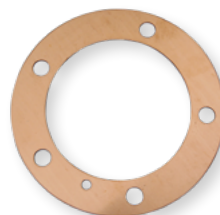
Description	Thick-ness	Bore	Part #	MSRP
Copper 16769-36	.020"	3⅞"	2 pack 106-2669	\$90.95



106-0408



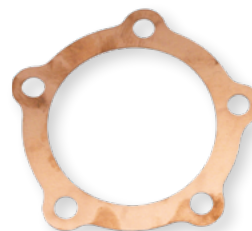
90-9501



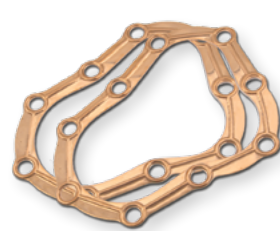
93-1042



93-1019



106-2681



106-2669

NOTES: While many of the gaskets in these kits will work for stock applications, some gaskets in the kits are specifically designed for S&S parts used in S&S engines.

Alternator style lower end kits include outer gaskets for both S&S flanged and flangeless gear covers. Not all gaskets will be used.

Oil pump gaskets provided in lower end gasket kits fit the standard pumps provided with S&S engines. If the crankcase of an engine was special ordered to accept a different type of oil pump, these gaskets may not fit.

All reference to HD® part numbers is for identification purposes only. We in no way are implying that any of S&S Cycle's products are original equipment parts or that they are equivalent to the corresponding HD® part number shown.

BASE GASKETS FOR SH-SERIES 1966-'84					
Description	Thick-ness	Bore	Part #		
Micropore	.018"	3 5/8"	each	93-1022-S	\$13.95
			10 pack	93-1069	\$71.95
Micropore 16776-63	.018"	3 1/2"	each	93-1023-S	\$14.95
			10 pack	93-1070	\$71.95

BASE GASKETS FOR P-SERIES 1948-'65					
Description	Thick-ness	Bore	Part #		
Micropore	.018"	3 5/8"	each	93-1022-S	\$13.95
			10 pack	93-1069	\$71.95

BASE GASKET FOR S&S PAN/KNUCKLE SW 1936-'65					
Description	Thick-ness	Bore	Part #		
Composite 16776-63	.018"	3 5/8"	each	93-1023-S	\$14.95
			10 pack	93-1070	\$71.95
Composite	.018"	3 5/8"	each	93-1022-S	\$13.95
			10 pack	93-1069	\$71.95

BASE GASKETS FOR KN-SERIES 1936-'47					
Description	Thick-ness	Bore	Part #		
Composite	.020"	3 5/8"	each	106-2690	\$16.95
Composite 16774-21	.020"	3 5/8" & 3 7/16"	each	106-2692	\$14.95

EXHAUST GASKETS			
S&S SH-Series, P-Series, and 1966-'84 bt	each	93-1004-S	\$10.95

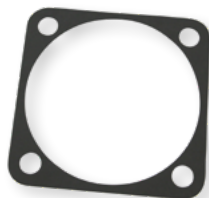
VALVE GUIDE SEALS			
Fits S&S Heads for 1966-'84 bt and 1981-'84 stock cylinder heads	4 pack	900-1005	\$16.95

ROCKER BOX GASKET KITS AND INDIVIDUAL GASKETS			
Gasket Kit S&S Billet Rocker boxes 1966-84 bt		90-4311	\$61.95
O-ring,(-160),5.250" ID x 5.437" OD,Viton®	each	50-7961-S	\$9.95
O-ring,(-019),.812" ID x .937" OD,Viton®	each	50-7962-S	\$6.95
O-ring,.551" ID x .627" OD,Viton®	each	50-7963-S	\$6.95
O-ring,.374" ID x .473" OD,Viton®	each	50-7965-S	\$6.95
Gasket,Rocker Cover,1966-'84 bt 17540-69, 17540-69A	each	90-4040	\$13.95
	10 pack	90-4064	\$91.95
Stock Rocker Boxes 1966-'84 bt 17540-69, 17540-69A	each	90-4040	\$13.95
	10 pack	90-4064	\$91.95
Rocker Arm Cover Gasket 1948-'65 bt 117541-48	each	900-0329	\$23.95
	Set	900-0339	\$40.95
Rocker Arm Cover Gasket Kit 1936-'47 bt		900-0493	\$241.95
Gasket, Bottom, Valve Spring Covers, (Tins), Vulcanized Fiber, 1936-47 OHV bt		900-0668	\$11.95
Gasket, Set, Valve Spring Covers, KN-Series, (Tins)		106-3166	\$163.95
Seal, Oil, Rocker Arm, 1936-'47 OHV bt, KN-Series 17475-38		106-3636	\$14.95
O-ring, Square, .1875" 17955-36		106-3849	\$7.95
O-ring, (-017), .676" ID x .816" OD, Black, Viton®		50-0466	\$6.95
O-ring, (-015), .562" ID x .068" OD, Black, Viton® 26432-76A	each	50-8034-S	\$9.95
	2 pack	50-8034	\$14.95
O-ring, (-326), 1.625" ID x 2" OD, Black, Viton® 27060-55	each	50-8046	\$9.95
	10 pack	50-8132	\$59.95

LOWER END GASKETS AND SEALS			
1970-'99 Big Twin Engine 25225-93A, 25225-93B, 25225-70C, 25257-80	each	31-2107	\$9.95
	10 pack	106-0232	\$44.95



93-1022-S



106-2690



900-0329



90-4040



106-3166



31-2107

All reference to HD® part numbers is for identification purposes only. We in no way are implying that any of S&S Cycle's products are original equipment parts or that they are equivalent to the corresponding HD® part number shown.

1936-'69 Big Twin Engine w/S&S Cases 25225-36A		31-2030	\$15.95
1936-'69 Big Twin Engine w/Stock Cases 25225-36C		106-2072	\$19.95
CAMSHAFT OIL SEALS FOR 1970-'99 BIG TWIN MODELS			
Seal, Gearcover Cam, 1" x 1.441" x .250" 83162-51	each	31-4022	\$8.95

TAPPET GUIDE GASKETS			
1948-'99 bt engines-Set (Includes Front & Rear) 18633-48	each	33-5302	\$10.95
	10 pack	33-5313	\$61.95
Front 18634-48C	each	33-5302F	\$9.95
	10 pack	33-5313F	\$27.95
Rear 18633-48B, 18633-48D	each	33-5302R	\$9.95
	10 pack	33-5313R	\$31.95
1936-'47 OHV bt engines-Set (Includes Front & Rear) 18632-36		106-2563	\$10.95

PUSHROD O-RINGS			
Pushrod O-Ring Kit 1979-'84 big twin		93-4041	\$15.95
Top O-Ring 11293, 11157, 11101, 11190	each	50-8039	\$6.95
Middle O-Ring 11132A	each	50-8038	\$6.95
Bottom O-Ring 11145A	each	50-8037	\$6.95
Quad Seal 11133A		50-8064-S	\$8.95
Washer, Bottom Pushrod Tube	each	50-7050	\$6.95
	10 pack	50-7072	\$12.95

SPROCKET SHAFT SEAL			
1936-'99 big twin 12026B	each	31-4010	\$13.95
	5 pack	31-4110	\$61.95

OIL PUMP GASKET KITS STANDARD S&S BILLET OIL PUMP 1936-'91			
Gasket Rebuild Kit		31-6271	\$17.95
Master Rebuild Kit		31-6275	\$31.95
Oil Pump Drive Shaft Seal 26227-58		31-6005	\$9.95

FUEL SYSTEM GASKETS			
Manifold Seals			
Rubberband-1979-'84 bt and 1979-'85 xl 27062-78	each	16-0238	\$9.95
	10 pack	16-0245	\$52.95
O-ring-1955-'78 bt and 1957-'78 xl 27060-55	each	50-8046	\$9.95
	10 pack	50-8132	\$59.95
Cap, rubber, manifold, fitting		50-8372	\$6.95

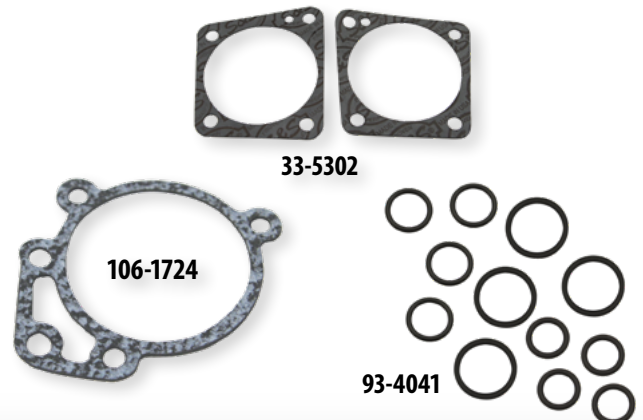
CLASSIC TEARDROP AIR CLEANER GASKETS			
Backplate gasket Super E	each	106-1724	\$8.95
	10 pack	106-2328	\$40.95
Backplate gasket Super B	each	17-0196	\$7.95
	5 pack	17-0197	\$23.95

All reference to HD® part numbers is for identification purposes only. We in no way are implying that any of S&S Cycle's products are original equipment parts or that they are equivalent to the corresponding HD® part number shown.

STEALTH AIR CLEANER GASKETS			
Super E/G	each	106-1724	\$8.95
	10 pack	106-2328	\$40.95
Muscle Air Cleaner (includes lanyards)		170-0137	\$29.95

CARBURETOR GASKETS				
Bowl Gasket	Super E & G	each	11-2386	\$8.95
		10 pack	11-2387	\$40.95
	Super B & D	each	11-2086	\$8.95
		10 pack	11-2091	\$28.95
	L Series	each	11-2070	\$8.95
	Pump cap o-ring - (two required)	each	50-8012	\$6.95
10 pack		50-8100	\$16.95	
Idle Mixture Needle o-ring	each	500-0036	\$6.95	
	10 pack	500-0148	\$12.95	
Bellows seal Bellows Seal, Accelerator Pump	each	11-2266	\$9.95	
	5 pack	11-2279	\$24.95	
Accelerator pump diaphragm	each	11-2282	\$21.95	
Manifold to Carb/ Throttle Body O-Rings	Super E	each	50-8016	\$6.95
		10 pack	50-8094	\$14.95
	Super G	each	50-8015	\$7.95
		10 pack	50-8093	\$15.95
	Super B	each	50-8013	\$6.95
L Series 1¾" or 1⅞"	each	50-8013	\$6.95	
Seat and Bowl Plug O-Ring	each	50-8009	\$6.95	
	10 pack	50-8095	\$19.95	

TRANSMISSION GASKETS			
Seal, quad, 1¼" I.D. x 1⅞" O.D. x ¼" Buna 11165		50-8045	\$11.95
Seal, inner primary - 4-speed BT		56-5101	\$17.95
Seal, oil shifter shaft - 1984-'99 BT 12045		56-1064	\$10.95
Seal, oil 12067B		56-3033	\$16.95
Gasket, transmission access door 35652-79B, 35653-98A		56-1026	\$8.95



Super Stock Crankcase Replacement Parts for Alternator Style Big Twin Engines of Less Than 4" Cylinder Bore



S&S Vintage 1936-1999

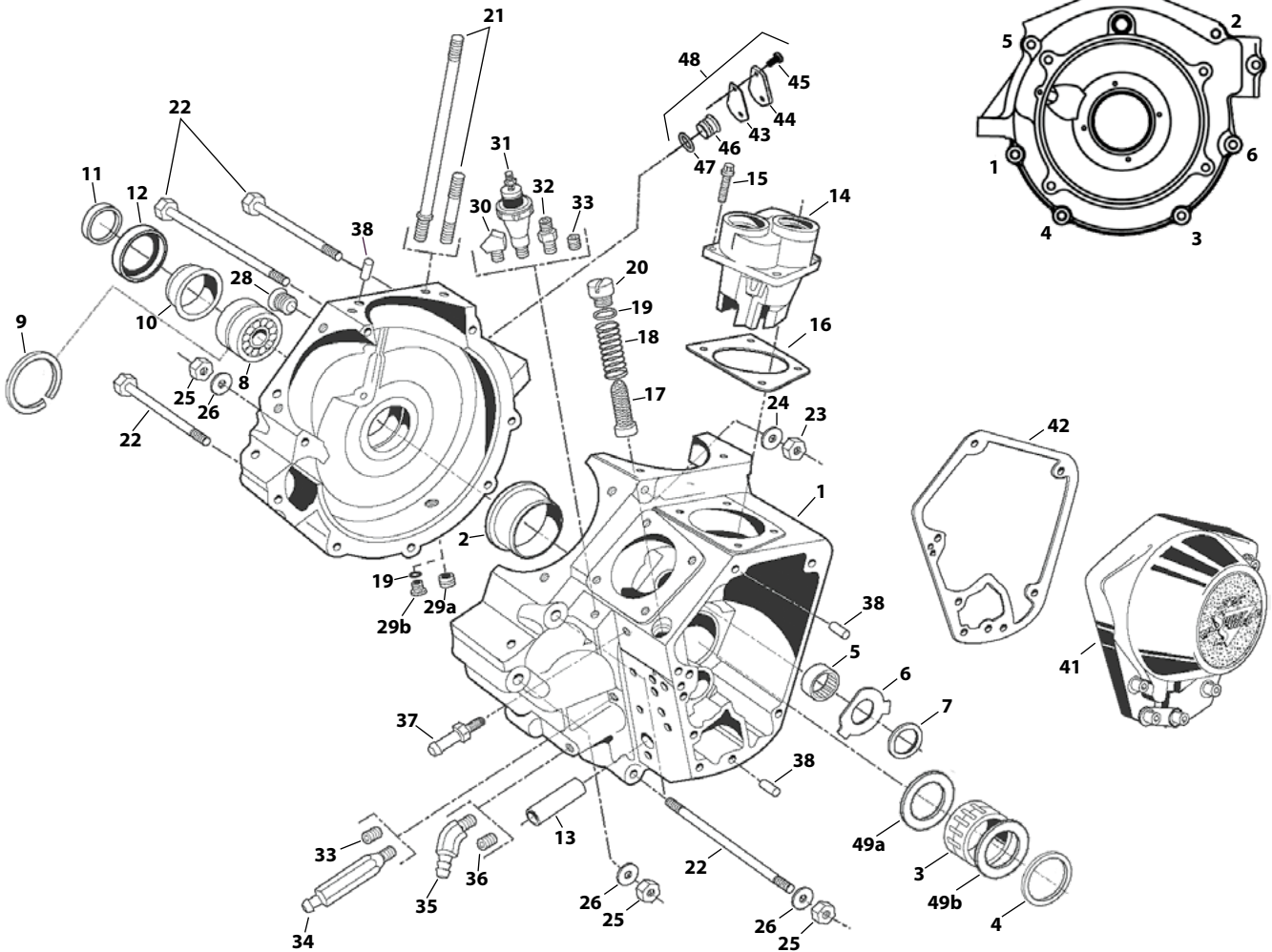
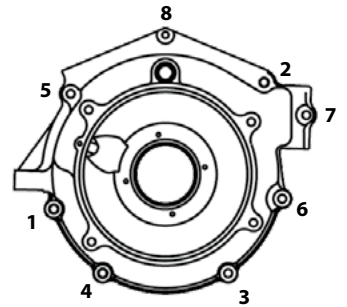
Order 608-627-1497

- | | | |
|---|-------------------|----------|
| 1. Crankcase assembly, half..... | N/A | |
| 2. Race, right main bearing, All S&S BT
Standard 24599-93, 24599-58A, 24599-58B
<i>Clearanced for .798" lift 1984-'99 style cam w/ 1" base circle</i> | 31-4004 | \$91.95 |
| 3. Right main bearing assembly BT
Red 24641-87A..... | 31-4017 | \$61.95 |
| Blue 24643-87A..... | 31-4018 | \$50.95 |
| 4. Retaining ring, main bearing BT 11177A (each)..... | 50-8057 | \$4.95 |
| 5 pack..... | 50-1004 | \$14.95 |
| 5. Cam needle bearing assembly BT
9058..... | 31-4009 | \$17.95 |
| 6. Washer, cam lock - BT 25550-57A (each)..... | 33-5201 | \$15.95 |
| 5 pack..... | 33-5213 | \$62.95 |
| 7. Cam thrust washer - BT
.050" 25550-36 (each)..... | 33-5200 | \$12.95 |
| .055" 25551-36 (each)..... | 33-5202 | \$12.95 |
| .060" 25552-36 (each)..... | 33-5203 | \$12.95 |
| .065" 25553-36 (each)..... | 33-5204 | \$12.95 |
| .070" 25554-36 (each)..... | 33-5205 | \$12.95 |
| .075" 25555-36 (each)..... | 33-5206 | \$26.95 |
| .080" 25556-36 (each)..... | 33-5207 | \$20.95 |
| 8. Left Timken® main bearing assembly 1936-'99
S&S BT cases 9028..... | 31-4013 | \$102.95 |
| 9. Timken Main Bearing Spacers, 1969-up BT
Fits 1 1/4" stock diameter shaft.
.0995" - .1005" 9124..... | 31-4071 | \$17.95 |
| .1015" - .1025" 9125..... | 31-4072 | \$17.95 |
| .1035" - .1045" 9126..... | 31-4073 | \$14.95 |
| .1055" - .1065" 9127..... | 31-4074 | \$17.95 |
| .1075" - .1085" 9128..... | 31-4075 | \$17.95 |
| .1195" - .1205" 9134..... | 31-4076 | \$13.95 |
| 10. Spacer, drive sprocket, 1965-'99 S&S BT cases
24002-70..... | 31-4011 | \$40.95 |
| 11. Spacer, Drive Sprocket, 45A Charging System,..... | N/A | |
| 12. Seal, sprocket shaft oil 1936-'99 S&S BT cases
12026B (each)..... | 31-4010 | \$13.95 |
| 5 pack..... | 31-4110 | \$61.95 |
| 13. Bushing, oil pump shaft - All S&S BT cases Standard
24641-36..... | 31-4008 | \$40.95 |
| 14. Tappet guide assembly..... | N/S | - |
| 15. Screw, 12 pt. DHH 1/4" -20 x 7/8" 3770..... | 50-0068 | \$6.95 |
| 4 pack..... | 50-0068P | \$9.95 |
| 16. Gasket, tappet guide-1948-'99 BT
Front 18634-48C (each)..... | 33-5302F | \$9.95 |
| 10 pack front..... | 33-5313F | \$27.95 |
| Rear 18633-48B, 18633-48D (each)..... | 33-5302R | \$9.95 |
| 10 pack rear..... | 33-5313R | \$61.95 |
| Set 18633-48 (each front & rear)..... | 33-5302 | \$10.95 |
| 10 pack set..... | 33-5313 | \$61.95 |
| 17. Crankcase oil screen - 1948-'99 BT 24981-70, 24981-66
(each)..... | 31-2010 | \$8.95 |
| 5 pack..... | 31-7008 | \$30.95 |
| 18. Crankcase oil screen spring - 1948-'99 BT
24982-66, 24982-70 (each)..... | 31-2011-S | \$7.95 |
| 19. Cover screw o-ring - 1948-up S&S BT
11105, 11273 (each)..... | 50-8008 | \$6.95 |
| 10 pack..... | 50-8078 | \$14.95 |
| 20. Cover screw - 1948-'99 S&S BT 26263-80, 26263-36
each..... | 31-6021 | \$10.95 |
| 5 pack..... | 31-7005 | \$28.95 |
| 21. Cylinder stud
1984-up BT 16837-85C (each)..... | 31-2321-S | \$10.95 |
| 8 pack..... | 31-2321 | \$50.95 |
| 1984-up BT with +.500" cases 16832-86C
each..... | 31-2331-S | \$11.95 |
| 8 pack..... | 31-2331 | \$61.95 |
| 22. Crankcase Hardware
Alternator 1970-'99 and Alt/Gen Cases
Alignment Stud, 5/16" -24 x 5 3/4" 24806-36, 3506..... | 31-2003 | \$21.95 |
| (Position 5 & 6)
Screw, HHCS, 5/16" -18 x 3 1/2" 3427..... | 50-0117 | \$6.95 |
| (Position 7)
Screw HHCS, 5/16" -24 x 5"..... | 50-0119 | \$7.95 |
| Zinc 3430..... | 50-0253-S± | \$11.95 |
| Chrome (each)..... | 50-0090 | \$7.95 |
| (Position 8)
Screw HHCS, 1/4" -28 x 5 1/2" (each)..... | 50-0252-S± | \$11.95 |
| Screw HHCS, 1/4" -28 x 5 1/2" Chrome (each)..... | 50-5011 | \$4.95 |
| 23. Nut, Hex - 1/4"-28 7683..... | 50-7021 | \$6.95 |
| 24. Washer, flat - 1/4" x 5/8" x 1/16"
Zinc 6194, 6245, 6703, 6736, 6228W, 6192 (each)..... | 50-7104-S± | \$6.95 |
| Chrome (each)..... | 50-5023 | \$4.95 |
| 25. Nut, hex - 5/16"-24 zinc 7833, 7883..... | 50-7034 | \$4.95 |
| 26. Washer, flat - 5/16" x 1 1/16" x 1/16" 6320, 70907-07, 6016, 6702..... | - | - |
| 27. Hardware Kits (includes studs, screws, nut and washers)
1984-up BT-manufactured after 6-1-08
Chrome..... | 106-4913± | \$133.95 |
| 28. Plug, timing hole 720..... | 31-2005 | \$10.95 |
| 29. Drain plug
Manufactured before 5-1-2000
a. 3/8"-18 NPT..... | 31-2006 | \$22.95 |
| Manufactured after 5-1-2000
b. 1/2"-20 thread..... | 50-8335 | \$17.95 |
| 30. Fitting, 1/8" x 1/8" pipe, male/female..... | 50-8112 | \$10.95 |
| 31. Oil pressure switch 26561-84
(Includes: 1 each switch, nut, lock washer.)
31-2016 | 31-2016 | \$27.95 |
| 32. Fitting, oil line - .375" x 1/8"-27 62484-81..... | 31-2021 | \$16.95 |
| 33. Plug, SH pipe - 1/8"-27 each..... | 50-8331A | \$7.95 |
| 34. Fitting, primary oil return 63533-65, 63533-41A..... | 31-2019 | \$27.95 |
| 35. Fitting, 45° hose-1/4" pipe male x 3/8" male hose..... | 50-8113 | \$15.95 |
| 36. Plug, SH pipe, 1/4"-18, 1965-'69 S&S BT 765..... | 50-8330 | \$6.95 |
| 37. Fitting, hose - 1/8"-27 pipe male
(1970-up S&S BT) 358, 366 (each)..... | 50-8115 | \$9.95 |
| 38. Dowel pin, .250" diameter x 1/2"
2 pack..... | 50-8022 | \$8.95 |
| 5 pack..... | 50-8022-2 | \$13.95 |
| 39. Screw, SHC - 10-24 x 1" (Stator) (N/S) 2720
each..... | 50-8105 | \$13.95 |
| each..... | 50-0044 | \$6.95 |
| 40. Screw, SHS - 10-24 x 3/16" - (Stator plug clamp) (N/S)
each..... | 50-0045 | \$6.95 |
| 41. Gearcover..... | N/A | - |
| 42. Gearcover gasket 1970-up S&S BT..... | N/A | - |
| 43. Gasket, crank position sensor hole..... | N/A | - |

S&S Vintage 1936-1999



Bolt Position Diagram



- 44. Cover, crank position sensor hole **31-2056-S** \$7.95
- 45. Screw, Torx, 8-32 x 3/8" 68042-99 **50-0054-S** \$4.95
- 46. Crank position sensor hole plug **106-1189** \$15.95
- 47. O-ring (each) **50-8270** \$6.95
- 5 pack **50-8275** \$9.95
- 48. Crank position sensor hole plug kit **106-2997** \$26.95
- 49. Washer, Right, Main Bearing, Thrust
- a. 1.258" x 1.743" x .071", Steel **31-4038*** \$11.95
- b. 1.258" x 1.743" x .051", Steel **31-4039*** \$10.95

**Thrust washers are normally used with 1958-'86 style bearings with loose rollers and drop in style cages, but can be used to position 1987-up bearings when used on early style flywheels.*

(N/S) = Not Shown
N/A = No longer available

All reference to HD® part numbers is for identification purposes only. We in no way are implying that any of S&S Cycle's products are original equipment parts or that they are equivalent to the corresponding HD® part number shown.

± **WARNING: Cancer and Reproductive Harm—www.P65Warnings.ca.gov**





For Alternator/Generator Style Big Twin Engines of Less Than 4" Cylinder Bore

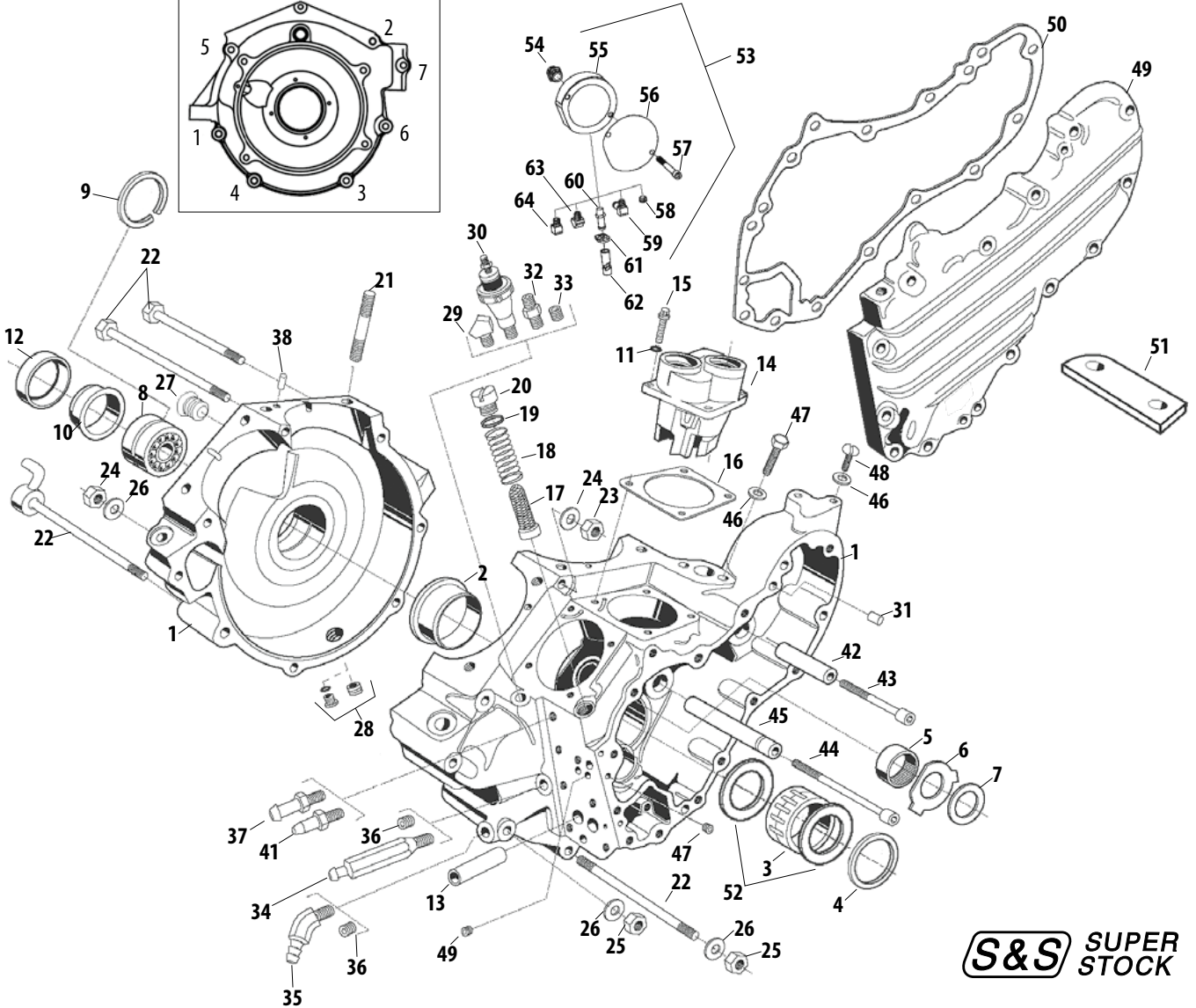
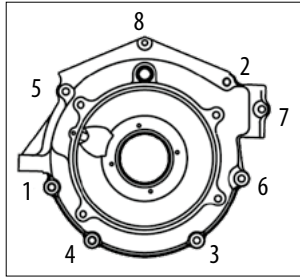
1. Crankcase assembly, half N/A
2. Race, right main bearing, All S&S BT
Standard 24599-93, 24599-58A, 24599-58B **31-4004** \$91.95
Clearanced for .798" lift 1984-'99 style cam w/1" base circle
3. Right main bearing assembly BT
Red 24641-87A **31-4017** \$61.95
Blue 24643-87A **31-4018** \$50.95
4. Retaining ring, main bearing BT 11177A (each) **50-8057** \$4.95
5 pack **50-1004** \$14.95
5. Cam needle bearing assembly 9058 **31-4009** \$17.95
6. Washer, cam lock
1958-'99 bt 25550-57A (each) **33-5201** \$15.95
5 pack **33-5213** \$62.95
7. Cam thrust washer - BT
.050" 25550-36 (each) **33-5200** \$12.95
.055" 25551-36 (each) **33-5202** \$12.95
.060" 25552-36 (each) **33-5203** \$12.95
.065" 25553-36 (each) **33-5204** \$12.95
.070" 25554-36 (each) **33-5205** \$12.95
.075" 25555-36 (each) **33-5206** \$26.95
.080" 25556-36 (each) **33-5207** \$20.95
8. Left Timken® main bearing assembly 1936-'99
S&S BT cases 9028 **31-4013** \$102.95
9. Timken Main Bearing Spacers, 1969-up bt
Fits 1 1/4" stock diameter shaft.
.0995"-1.005" 9124 **31-4071** \$17.95
.1015"-1.025" 9125 **31-4072** \$17.95
.1035"-1.045" 9126 **31-4073** \$53.95
.1055"-1.065" 9127 **31-4074** \$17.95
.1075"-1.085" 9128 **31-4075** \$17.95
.1195"-1.205" 9134 **31-4076** \$13.95
10. Spacer, drive sprocket
1936-'64 S&S BT cases **31-4014** \$61.95
1965-'99 S&S BT cases 24002-70 **31-4011** \$40.95
11. Washer, Countersunk, 1/4" x 1/2" **106-3848** \$4.95
12. Seal, sprocket shaft oil 1936-'99 S&S BT cases 120268
(each) **31-4010** \$13.95
5 pack **31-4110** \$61.95
13. Bushing, oil pump shaft - All S&S BT cases
Standard 24641-36 **31-4008** \$40.95
14. Tappet guide, 1936-'47 OHV bt & S&S KN-Series
Set **106-2410** \$673.95
Front 18600-36 **106-2665** \$438.95
Rear 18610-36 **106-2666** \$438.95
Tappet Guide, S&S SH & P series and conversion kits only, uses V-Series lifters
Set **33-5450±** \$509.95
Front **33-5450F±** \$316.95
Rear **33-5450R±** \$316.95
15. Screw
Screw, 12pt, DHH, 1/4"-20 x 7/8" 3770 (each) **50-0068** \$6.95
4 pack **50-0068P** \$9.95
Screw, Slotted, Oval, 1/4"-24 x 5/8" 2329 **106-3847** \$8.95
Screw, Slotted, Oval, " -20 x 5/8" **500-0043** \$8.95
16. Gasket, tappet guide-1948-'99 BT
Front 18634-48C (each) **33-5302F** \$9.95
10 pack front **33-5313F** \$27.95
Rear 18633-48B, 18633-48D (each) **33-5302R** \$9.95
10 pack rear **33-5313R** \$31.95
Set (each front & rear) 18633-48B, 18633-48D **33-5302** \$9.95
10 pack set **33-5313** \$61.95
Gasket, tappet guide-KN 1936-'47 OHV 18632-36
(each) **106-2561** \$7.95
2 pack **106-2563** \$10.95
17. Crankcase oil screen - 1948-'99 BT 24981-70, 24981-66
(each) **31-2010** \$8.95
5 pack **31-7008** \$30.95
18. Crankcase oil screen spring - 1948-'99 bt 24982-66, 24982-70
(each) **31-2011-S** \$7.95
19. Cover screw o-ring - 1948-up S&S BT (each) **50-8008** \$6.95
10 pack **50-8078** \$14.95
20. Cover screw - 1948-'99 S&S BT 26263-80, 26362-36
(each) **31-6021** \$10.95
5 pack **31-7005** \$28.95
21. Cylinder stud
1936-'84 BT Standard 16831-30, 16837-30 **31-2328-S** \$10.95
8 pack **31-2328** \$50.95
1936-'84 BT +5/16" longer 16837-78 **31-2324-S** \$35.95
22. Crankcase Hardware
Hardware Kit
Alt/Gen Cases
Alignment Stud, 5/16" -24 x 5 3/4" 24806-36, 3506 **31-2003** \$21.95
(Position 1)
Front Chain Oiler Bolt **106-4795** \$122.95
(Position 5 & 6)
Screw, HHCS, 5/16" -18 x 3 1/2" **50-0117** \$6.95
(Position 7)
Screw HHCS, 5/16" -24 x 5" zinc 3430 **50-0119** \$7.95
Chrome (each) **50-0253-S±** \$11.95
(Position 8)
Screw HHCS, 1/4" -28 x 5 1/2" (each) **50-0090** \$7.95
Screw HHCS, 1/4" -28 x 5 1/2" Chrome (each) **50-0252-S±** \$11.95
23. Nut, Hex - 1/4"-28 7683 **50-5011** \$4.95
24. Washer, flat - 1/4" x 5/8" x 1/16"
Zinc 7035, 7036 (each) **50-7021** \$6.95
Chrome (each) **50-7104-S±** \$6.95
25. Nut, hex - 5/16"-24 zinc 7833, 7883 **50-5023** \$4.95
26. Washer, flat - 5/16" x 1 1/4" x 1/16" 6320, 70907-07, 6016, 6702 **50-7034** \$4.95
27. Plug, timing hole 720 **31-2005** \$10.95
28. Drain plug,
3/8"-18 NPT Manufactured before 5-1-2000 **31-2006** \$22.95
1/2"-20 thread Manufactured after 5-1-2000 **50-8335** \$17.95
29. Fitting, 1/8" x 1/8" pipe, male/female **50-8112** \$10.95
30. Oil pressure switch 26561-84
(Includes: 1 each switch, nut, lock washer) **31-2016** \$27.95
31. Dowel pin .375" diameter x 3/4" 1936-'64 S&S BT **50-8017** \$14.95
32. Fitting, oil line - .375" x 1/8"-27 62484-81 **31-2021** \$16.95
33. Plug, SH pipe - 1/8"-27 (each) **50-8331A** \$7.95
34. Fitting, primary oil return 63533-65, 63533-41A **31-2019** \$27.95
35. Fitting, 45° hose-1/4" pipe male x 3/8" male hose **50-8113** \$15.95
36. Plug, SH pipe, 1/4"-18, 1965-'69 S&S BT 765 **50-8330** \$6.95
37. Fitting, hose - 1/8"-27 pipe male **50-8115** \$9.95
38. Dowel pin, .250" diameter x 1/2"
(1970-up S&S BT) 358, 366 (each) **50-8022** \$8.95
2 pack **50-8022-2** \$13.95
5 pack **50-8105** \$13.95
39. Screw, SHC - 10-24 x 1" (Stator) N/S 2720 (each) **50-0044** \$6.95
40. Screw, SHS - 10-24 x 3/16" - (Stator plug clamp) N/S **50-0045** \$6.95
41. Fitting, oil line 63533-15 **31-2018** \$15.95
42. Idler gear shaft - 1936-'69 BT 25791-36 **31-2039** \$20.95
43. Screw, SHC 1/4"-20 x 2" (Idler gear shaft)
25794-36 **50-0013** \$6.95
44. Screw, SHC 1/4"-20 x 3/4" (Circuit breaker drive gear shaft.)
1430 **50-0012** \$8.95

Order 608-627-1497

S&S Vintage 1936-1999



BOLT POSITION DIAGRAM



45. Shaft, circuit breaker drive gear, 1936-'69 BT 25856-36	31-2037	\$57.95
46. Washer, lock - 1/4" 7035, 7036	50-7019	\$4.95
47. Screw, HHC 1/4" -20 x 1/2" 1936-'65 S&S BT timer 3728	50-0014	\$4.95
1/4"-20 x 1" 1966-'69 S&S BT timer 2551W	50-0018	\$6.95
48. Screw, standard RH 1/4"-20 x 1/2" 2759	50-0015	\$4.95
49. Gearcover (See page 135)		
50. Gearcover gasket 1936-'69 S&S BT 25225-36A	31-2030	\$15.95
51. Spacer, motor mount - 1936-'47 BT 24795-48	31-2017	\$61.95
52. Washer, Right, Main Bearing, Thrust 1.258" x 1.743" x .071", Steel	31-4038*	\$11.95
1.258" x 1.743" x .051", Steel	31-4039*	\$10.95
53. Bracket Kit, Oil Filter 1936-'69 bt (includes 56-66)	106-4747±	\$216.95
54. Fitting, Straight, 3/4-16 UNF 2A x 1" 26352-95A	50-8197-S	\$17.95
55. Bracket, Oil Filter	N/A	-
56. Gasket, Oil Filter Mount	106-4423	\$11.95
57. Screw, SHC, 5/16-24 x 2-3/4"	50-0017	\$8.95
58. Plug, Pipe, 3/4" x 1/8-27 x .188"	50-8331A	\$7.95
59. Fitting, Pipe, 90°, 1/8-27 x .375"	50-8110	\$27.95
Fitting, Hose, Straight, 1/8-27 x .500"	50-8115	\$9.95
60. Clamp, Hose, 5/8" - 7/8"	50-8002	\$7.95

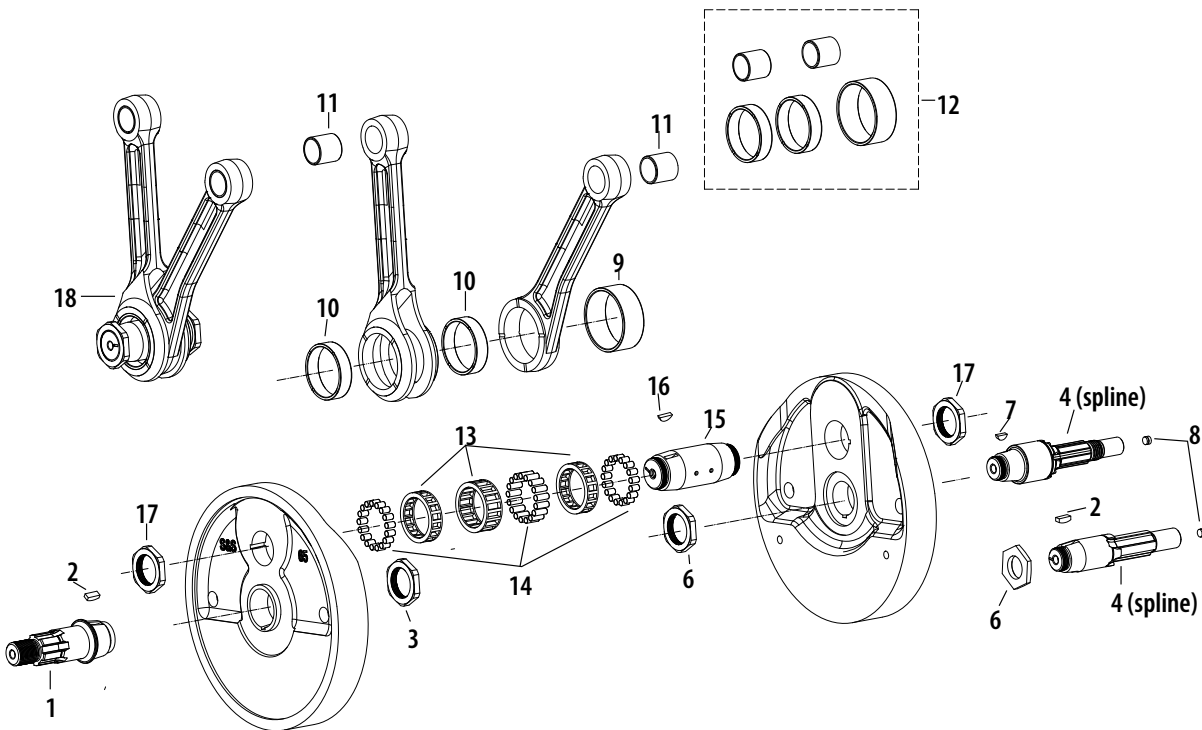
61. Hose, Oil Line Return, 375" x 12"	N/A	
62. Fitting, Pipe, 45°, 1/8-27 x 1/8-27	50-8112	\$10.95
63. Fitting, Pipe, 90°, Male/Female, 1/8-27 26338-68, 26561-84A, 26561-81A, 26338-68A	106-2682	\$14.95
5 pack	50-1007	\$61.95

*Thrust washers are normally used with 1958-'86 style bearings with loose rollers and drop in style cages, but can be used to position 1987-up bearings when used on early style flywheels
(N/S) = Not Shown
N/A = No longer available

⚠ WARNING: Cancer and Reproductive Harm—www.P65Warnings.ca.gov

1. Sprocket Shaft (includes #2 & 3)
1957-1976 XL w/S&S SB flywheels **33-2301** \$193.95
1977-1985 XL w/S&S D/SB/SBD/SCD/SC/SCDR/SCR flywheels ... **33-2302** \$214.95
2. Key **50-8224** \$12.95
3. Sprocket Shaft Nut **33-2331** \$13.95
4. Pinion Shaft
Stock 1957-1976 XL and S&S B/SB flywheels (includes #5 & 6)
Standard **33-2321** \$262.95
Stock 1977-early 1981 XL and S&S B/BD/SB/SBD/ flywheels (includes #5, 6, 8)*
*requires 1977-1986 main bearing
Stock late 1981-1985 XL and S&S C/SC/SCD/SCDR flywheels (includes #6, 7, 8)
6. Pinion Shaft Nut **33-2332** \$50.95
7. Key **50-8222-S** \$6.95
5 pack **50-1009** \$13.95
8. Meter Plug - stock 1977-1985 XL and S&S B/BD/SB/SBD/C/S/SCD/SCDR flywheels
.0626" **50-8316** \$10.95
9. Front Rod Race **34-4505** \$101.95
10. Rear Rod Race (one) **34-4506** \$91.95
11. Wrist Pin Bushing **34-4507** \$16.95
12. Race & Bushing Set (includes #9, 10, 11)
1957-1985 XL (all stock) and all S&S rods **34-4540** \$193.95
13. Alloy Bearing Cage Set **34-4520** \$71.95

14. Bearing Set (std.) **34-4521** \$101.95
15. Crankpin (std.)
1957-early 1981 XL w/ S&S connecting rods (includes #16 & 17)
Standard **34-2503** \$163.95
Late 1981-1985 XL w/ S&S connecting rods (includes #7 & 17)
Standard **34-2602** \$163.95
.001" OS **34-2603** \$163.95
.002" OS **34-2605** \$163.95
16. Crankpin Key **50-8223-S** \$6.95
5 pack **50-1010** \$7.95
17. Crankpin Nut **34-2504** \$49.95
18. Connecting Rod Assembly
1957-early 1981 XL (stock bore) 7.440" rod length
Heavy Duty **34-7500** \$693.95
Late 1981-1985 XL (stock bore) 7.440" rod length
Heavy Duty **34-7510** \$663.95





Order 608-627-1497

- 1. Pump body assembly
Fits 1936-'69..... **31-6048** \$193.95
Fits 1970-'91..... **31-6050** \$193.95
- 2. Shaft, idler 26327-68 **USA 31-6004** \$15.95
- 3. Seal, drive shaft 26227-58 **USA 31-6005** \$9.95
- 4. Gear, return drive 26315-68A **USA 31-6013** \$33.95
..... **USA 31-6014** \$32.95
- 5. Gear, return idler 26317-68A **USA 31-6014** \$32.95
- 6. Gear, supply drive 26328-74, 26320-36 **USA 31-6015** \$40.95
- 7. Gear, supply idler 26326-62A **USA 31-6016** \$40.95
- 8. Shaft, drive 26346-70 **USA 1,2,3 31-6011** \$23.95
- 9. Key, drive shaft 26347-15 each **50-8220-S** \$4.95
10 pack **50-8229** \$14.95
- 10. Plug, 1/8"-27 each **50-8331A** \$7.95
- 11. Check ball valve 8866, 8873 **USA 1,2,3 50-8091** \$4.95
- 12. Spring, check valve 26363-36, 26363-56, 26262-80
each **31-6022** \$6.95
10 pack **31-6092** \$19.95
- 13. Relief valve 26400-82, 26400-82B **31-6082** \$12.95
- 14. Spring, relief valve 26207-83
each **31-6018** \$6.95
10 pack **31-6084** \$19.95
For S&S KN-Series engines (each) **106-4679** \$15.95
- 15. Screw, check valve & relief valve cover
26263-80, 26362-36 each **31-6021** \$10.95
5 pack **31-7005** \$28.95
- 16. O-ring 11105, 11273 (each) **50-8008** \$6.95
10 pack **50-8078** \$14.95
- 17. Pump cover assembly
Pre-1992 (Top or bottom fittings; accepts pressure gauge.)
31-6041 **31-6059** \$112.95
- 18. Fitting, front chain hose **50-8116** \$9.95
- 19. Plug, pipe 1/6"-27 x 1/4" pipe **USA 50-8332** \$17.95
- 20. Elbow, supply/return 26338-68, 26561-84A, 26561-81A, 26338-68A
each **106-2682** \$14.95
5 pack **50-1007** \$61.95
- 21. Fitting, supply/return hose **USA 1,2,3 50-8115** \$9.95
- 22. Return fitting, compression 63523-92 **USA 1,2,3 50-8120** \$33.95
- 23. Seal, tubing, 3/8" x 1/2" O.D. x 1/4" Viton **50-8271** \$15.95
- 24. Screw, chain oiler adjusting 63614-72, 63610-70, 26383-32 **31-6026** \$10.95
- 25. Locknut, chain oiler each 7634, 7638 **50-5000** \$4.95
- 26. Washer, chain oiler adjuster
each 6156 **50-7008** \$7.95
- 27. Plug, 1/4"-20 **50-0069** \$6.95
2 pack **50-0069P** \$6.95

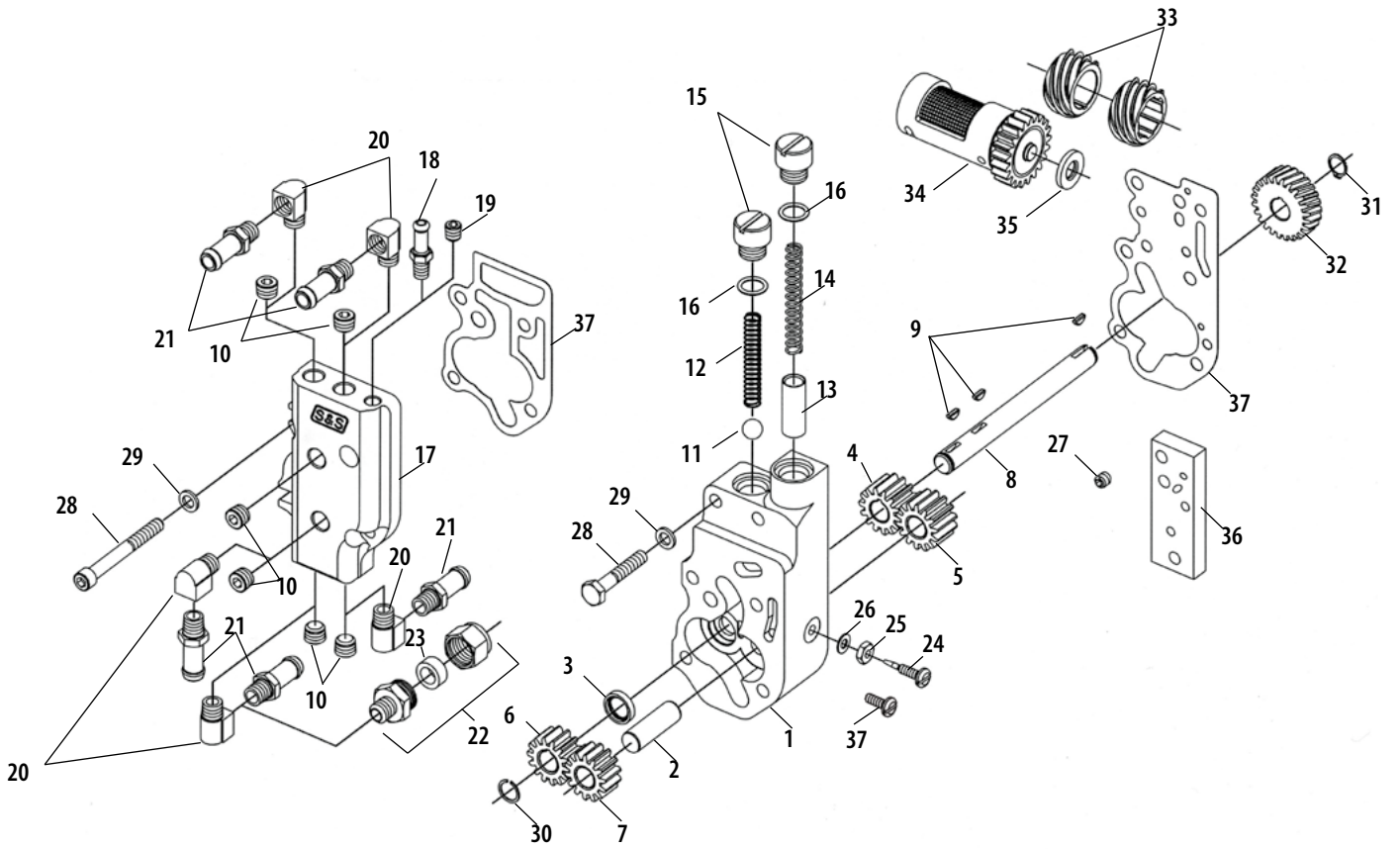
- 28. Screws, mounting
1/4"-24 x 1 1/2" - 1936-'78 (HHCS)
each **50-0082** \$8.95
1/4"-24 x 2 1/4" - 1936-'78 (HHCS) 5430W
each **50-0088** \$8.95
1/4"-20 x 1 1/2" - 1979-'99 (HHCS) **50-0080** \$4.95
1/4"-20 x 2 1/4" - 1979-'99 (SHCS) 4717A **50-0078** \$4.95
1/4"-20 x 1-1/2" - 1979-'99 (SHCS) 4718A **50-0079** \$4.95
 - 29. Washer, 1/4" (each) **50-7017** \$6.95
12 pack **50-7013** \$12.95
 - 30. Retaining ring 695-36, 26348-36 each **50-8058** \$6.95
10 Pack **50-8106** \$19.95
 - 31. Retaining ring, external 11002 each **50-8059** \$4.95
10 Pack **50-8107** \$10.95
 - 32. Gear, pump drive, 24T 26345-73 **33-4230** \$50.95
 - 33. Gear, pinion shaft pump drive
A. 1939-'53 splined **33-4237** \$199.95
B. 1954-'89 26349-73, 26349-73A **33-4232** \$61.95
 - 34. Gear, Steel breather valve
1936-Early 47
Standard 25300-36 **106-5070** \$146.95
+.030" **106-6012** \$140.95
1948-Early 77
Standard 25313-73 **33-4246** \$144.95
+.030" **33-4247** \$151.95
Late 1977-99
Standard 25310-82A, 25313-77B, 25311-90 **33-4241** \$123.95
+.030" **33-4242** \$199.95
 - 35. Shim Steel Breather Kit
8 pack (Includes one of each thickness) **33-4249** \$54.95
35a. +.100" thick **33-4200** \$9.95
35b. +.110" thick 25320-79 **33-4201** \$9.95
35c. +.120" thick 25322-79 **33-4202** \$9.95
35d. +.130" thick 25325-79, 25320-82 **33-4203** \$9.95
35e. +.140" thick 25322-82, 25327-79 **33-4204** \$9.95
35f. +.150" thick 25325-82 **33-4205** \$9.95
35g. +.160" thick 25327-82 **33-4206** \$9.95
35h. +.170" thick **33-4207** \$9.95
 - 36. Drill jig, oil pump **53-0013** \$70.95
 - 37. Primary chain oiler screw kit (N/S) **31-6291±** \$12.95
- N/S:**
Gasket rebuild kit (N/S) Includes key and retaining ring.
A. 1936-'91 **31-6271** \$17.95
Master rebuild kit - (N/S)
Includes: gasket rebuild kit, seal, retaining ring, relief valve spring,
check valve spring, check valve, ball, and cover screw o-rings.
A. 1936-'91 **31-6275** \$31.95
- Oil pump mounting hardware kit (N/S) **31-6288** \$22.95
Hardware kit, oil pump cover (N/S) **31-6283±** \$71.95

(N/S) = Not Shown

All reference to HD® part numbers is for identification purposes only. We in no way are implying that any of S&S Cycle's products are original equipment parts or that they are equivalent to the corresponding HD® part number shown.

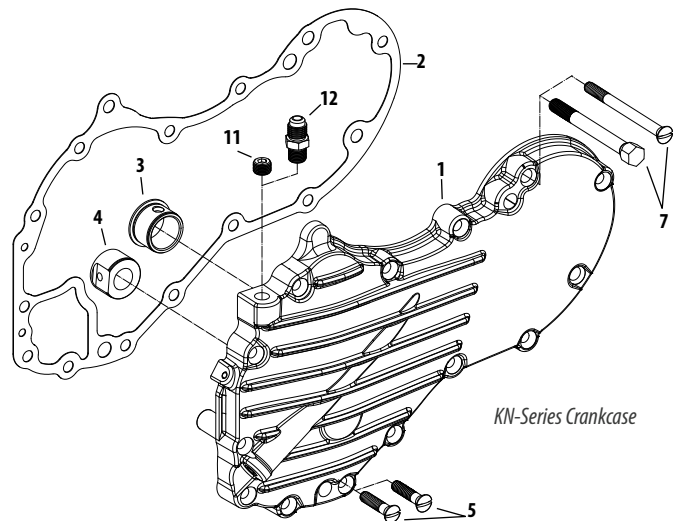
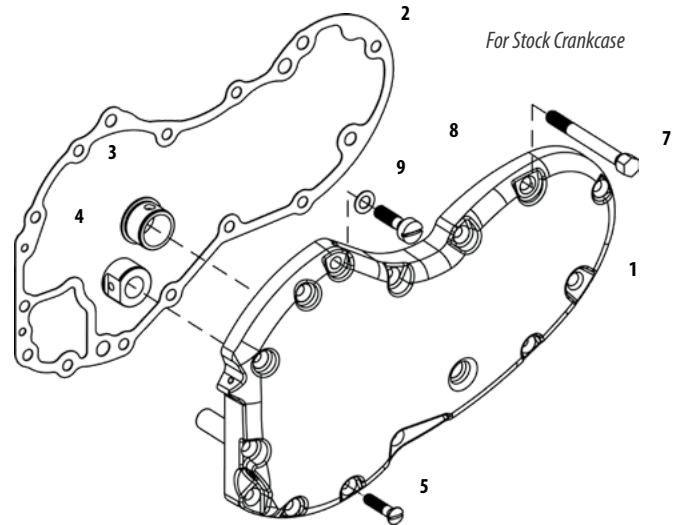
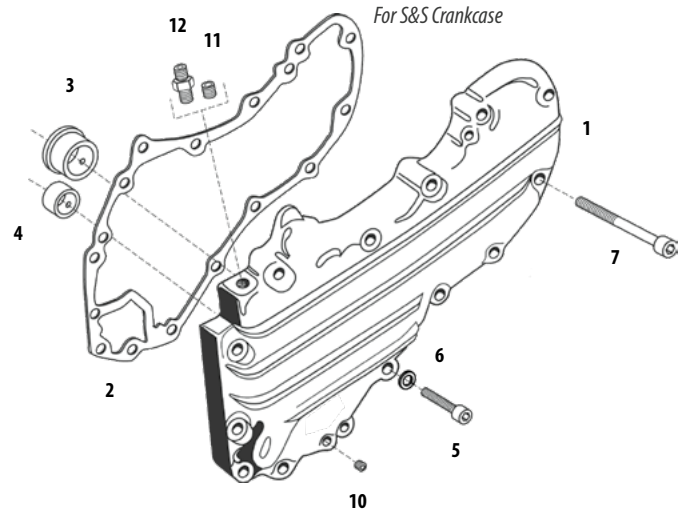
± WARNING: Cancer and Reproductive Harm—www.P65Warnings.ca.gov

S&S Vintage 1936-1999



Order 608-627-1497

1. Gearcover assembly—(See page 135)
2. Gasket, Gear cover
 Stock crankcases, 1936-'69 25225-36C **106-2072** \$19.95
 S&S crankcases, 1936-'69 25225-36A **31-2030** \$15.95
3. Bushing, cam, 1936-'69 25581-36 **31-4025** \$21.95
4. Bushing, pinion shaft
 1954-'72 25582-54A, 22582-73 **31-4020** \$19.95
 1936-'53 25582-36 **31-4029** \$40.95
5. Screw, gear cover mounting
 Stock crankcases
 Slotted countersunk, oval, 1/4"-24 x 1 1/8", cadmium 2341HW, 2341
 each **106-2013** \$8.95
 S&S crankcases
 SHCS 1/4"-20 x 7/8" **50-0025** \$4.95
 Slotted countersunk 1/4"-20 x 1 1/8" **106-4732** \$8.95
6. Washer (S&S crankcases only) .260" x .425" x .060 chrome
 each **50-7017±** \$6.95
 12 pack **50-7013±** \$12.95
7. Generator bolt
 Stock crankcases
 HH countersunk, 5/16"-24 x 3 1/4" cadmium **106-2107** \$12.95
 Slotted countersunk oval 1/4"-24 x 3" (each) **106-3814** \$11.95
 S&S crankcases
 SHCS 5/16"-24 x 2 3/4" **50-0017** \$8.95
8. Oil passage screw, slotted hollow, includes nylon washer,
 1963-'65 BT **106-2014** \$30.95
9. Washer, flat, 5/16" x 9/16" x .025" white nylon **N/A** —
10. Screw, SHS—1/4"-20 x 3/4" **50-0024** \$7.95
 2 pack **50-0024P** \$9.95
11. Pipe plug, SH 1/8"-27 each **50-8331A** \$7.95
12. Oil line fitting 17330-42 **106-4734** \$40.95



All reference to HD® part numbers is for identification purposes only. We in no way are implying that any of S&S Cycle's products are original equipment parts or that they are equivalent to the corresponding HD® part number shown.

± WARNING: Cancer and Reproductive Harm—www.P65Warnings.ca.gov

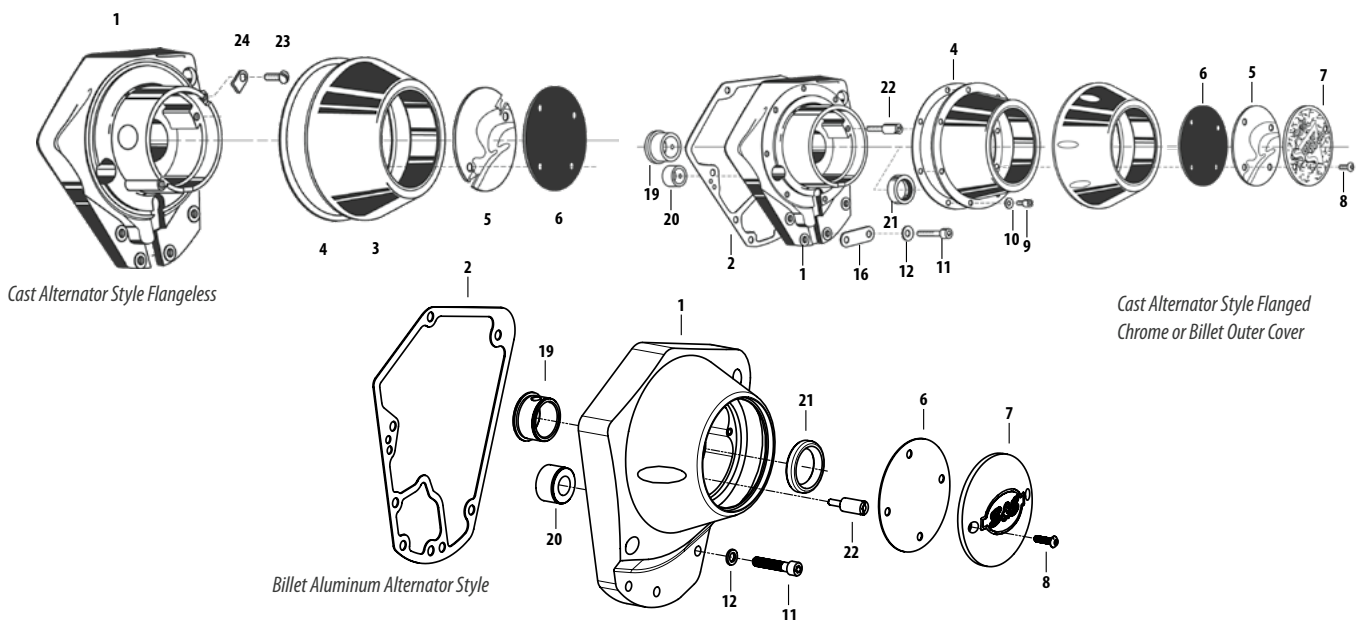
S&S Vintage 1936-1999



1. Gearcover assembly—(See page 135)
2. Gasket, gearcover
1970-'99 BT 25225-93A, 25225-93B, 25225-70C, 25257-80
each **31-2107** \$9.95
10 pack **106-0232** \$44.95
3. Outer Cover for Cast Gearcovers 1970-99 bt
Flangeless type - chrome **31-0238±** \$61.95
4. Gasket, outer cover - 1970-'99 BT
Flanged type each **31-0218** \$10.95
Flangeless type each **31-0237** \$8.95
5. Ignition cover, inner - 1970-'99 BT
Flangeless type **31-0235** \$8.95
6. Gasket, ignition cover - 1970-'99 BT
32591-80, 32591-70 each **31-0225** \$4.95
7. Ignition cover, outer - 1970-'99 BT
Chrome, billet S&S Logo **31-0332±** \$81.95
Billet, Gloss Black with S&S Logo **310-0897** \$70.95
8. Screw, RSH - 8-32 x 1/2" (replaces stock rivets)
Stainless Steel each **50-0048** \$6.95
Chrome each **50-0266-S±** \$8.95
9. Screw, SH
10-24 x 3/8" - chrome for billet cover **50-0023±** \$7.95
10. Washer, flat .192" x 3/16" x .035"
each 6150W **50-7009** \$6.95

11. Screw, SH - Use in all positions
1970-'99 BT - 1/4"-20 x 1 1/4" 4740A, 3482A
Zinc each **50-0008** \$6.95
Chrome **50-0257-S±** \$8.95
12. Washer, flat
1/4" x .474" x .050" each **50-7020** \$6.95
1/4" Flat washer, chrome, billet covers
each **50-7017±** \$6.95
12 pack **50-7013±** \$12.95
16. Wire harness clip 38711-93 **31-2029** \$4.95
19. Cam bushing, gearcover
1970-'99 BT 25581-70 **31-4019** \$16.95
20. Pinion shaft bushing, gearcover
1973-'99 BT 25582-93, 25582-73 **31-4031** \$16.95
21. Gearcover oil seal 1970-'99 BT 83162-51
each **31-4022** \$8.95
22. Screw, timing mechanism 32606-82
each **31-0224** \$10.95
2 pack **31-0224P** \$14.95
23. Screw, standard panhead 8-32 x 3/8" each **50-0004** \$6.95
24. Clip, outer cover each **31-0233** \$9.95

N/A= No longer available



All reference to HD® part numbers is for identification purposes only. We in no way are implying that any of S&S Cycle's products are original equipment parts or that they are equivalent to the corresponding HD® part number shown.

± WARNING: Cancer and Reproductive Harm—www.P65Warnings.ca.gov



For 1966-84 Big Twin Engines

Order 608-627-1497

1. Cylinder head (See page 143)
2. Valves
Intake
1.950" 18075-80, 18075-81, 18078-80, 18078-81, 18078-81 **90-2015** \$90.95
Exhaust-1948-'84 BT
1.720" 18086-80, 18086-81, 18089-80, 18089-81 **90-2022** \$90.95
3. Valve seats
Intake-1.940"
Standard 18020-79, 18018-66, 18056-66B **90-2017** \$40.95
+.002" oversize **N/A**
Exhaust-1.750"
Standard 18017-66, 18055-66B, 18010-79 **90-2018** \$40.95
+.010" oversize **90-2121** \$50.95
4. Valve guide - cast - 1980-'84 BT
Intake or Exhaust
Standard 18017-66, 18055-66B, 18010-79 **90-2240** \$23.95
+.001" 18109-81A **90-2241** \$61.95
+.002" 18108-81A, 90-2232 **90-2242** \$71.95
+.003" 18107-81A, 90-2233 **90-2243** \$71.95
+.004" 18106-81A, 90-2234 **90-2244** \$71.95
+.060" **90-2249** \$71.95
5. Valve guide seal-intake or exhaust
1981-'84 BT 18000-81 4 pack **900-1005** \$16.95
6. Valve spring shim - Late 1981-'84 BT
.005" x .765" x 1.500" **50-7121** \$9.95
.015" x .765" x 1.500" **50-7122** \$7.95
.025" x .765" x 1.500" **50-7123** \$7.95
7. Valve spring kit-Late 1981-'84
(Includes springs, top & bottom collars, keepers shims)
.590" lift - steel top collars **90-2063** \$234.95
8. Valve spring keeper-intake or exhaust
1936-'84 BT 18228-36 each **90-2037-S** \$8.95
8 pack **50-7165** \$40.95
9. Screw, SH - 5/16"-18 x 1" 2708A **50-0101** \$4.95
10. Lock washer - 5/16" 7041 **50-7032** \$4.95
11. Exhaust pipe gasket - 1966-'84 BT 53834-68A **93-1004-S** \$10.95
12. Head mount bolt - 7/16"-14 x 1 1/4" 3782 each **50-0171** \$6.95
13. Flat washer - 7/16" x 1 5/16" x 1/8" 6495HW **50-7064** \$4.17
14. Rocker cover mounting screw - 1966-'84 BT
Hex head - 5/16"-18 x 2" 2818 each (2 needed per head) **50-0112** \$4.95
Hex head - 5/16"-18 x 2 1/2" 3501 each (7 needed per head) **50-0104** \$6.95
15. Flat washer - 5/16" 6320, 70907-07, 6016, 6702 (9 needed per head) ... **50-7034** \$4.95
16. Rocker cover gasket 1966-'84 BT 17540-69, 17540-69A
each **90-4040** \$13.95
10 pack **90-4064** \$91.95
17. Intake manifold (See page 158)
18. Manifold seal
O-ring - 1955-'78 BT 27060-55
each **50-8046** \$9.95
10 pack **50-8132** \$59.95

- Band - 1979-'84 BT 27062-78
each **16-0238** \$9.95
10 pack **16-0245** \$52.95
19. Manifold mounting clamp
O-ring type heads - 1955-'78 BT 27063-57 **16-0230** \$28.95
Band type heads - 1979-'85 BT 27063-80, 27063-78 **16-0231** \$21.95
 20. Head bolt assembly, stainless - 1948-'84 BT
(Includes head bolt & washer.) 6469HW
10 pack **93-3024** \$113.95
20a. Head Bolt, each **93-3024-S** \$12.95
20b. Head bolt washer - 1936-'84 BT
(For part #90-3024, #90-3026 & #90-3040) **93-3025** \$8.95
 21. Head gasket, copper - 1966-'84 BT
3 7/16" & 3 1/2" bore 16770-66B each **93-1041** \$40.95
10 pack **93-1061** \$319.95
3 5/8" bore each **93-1042** \$40.95
10 pack **93-1062** \$326.95
 22. Fitting, oil return, 1/8"-27 pipe 63533-65, 63533-41A **31-2019** \$27.95
 23. Plug, oil return, 1/8"-27 pipe each **50-8331A** \$7.95

N/A= No longer available

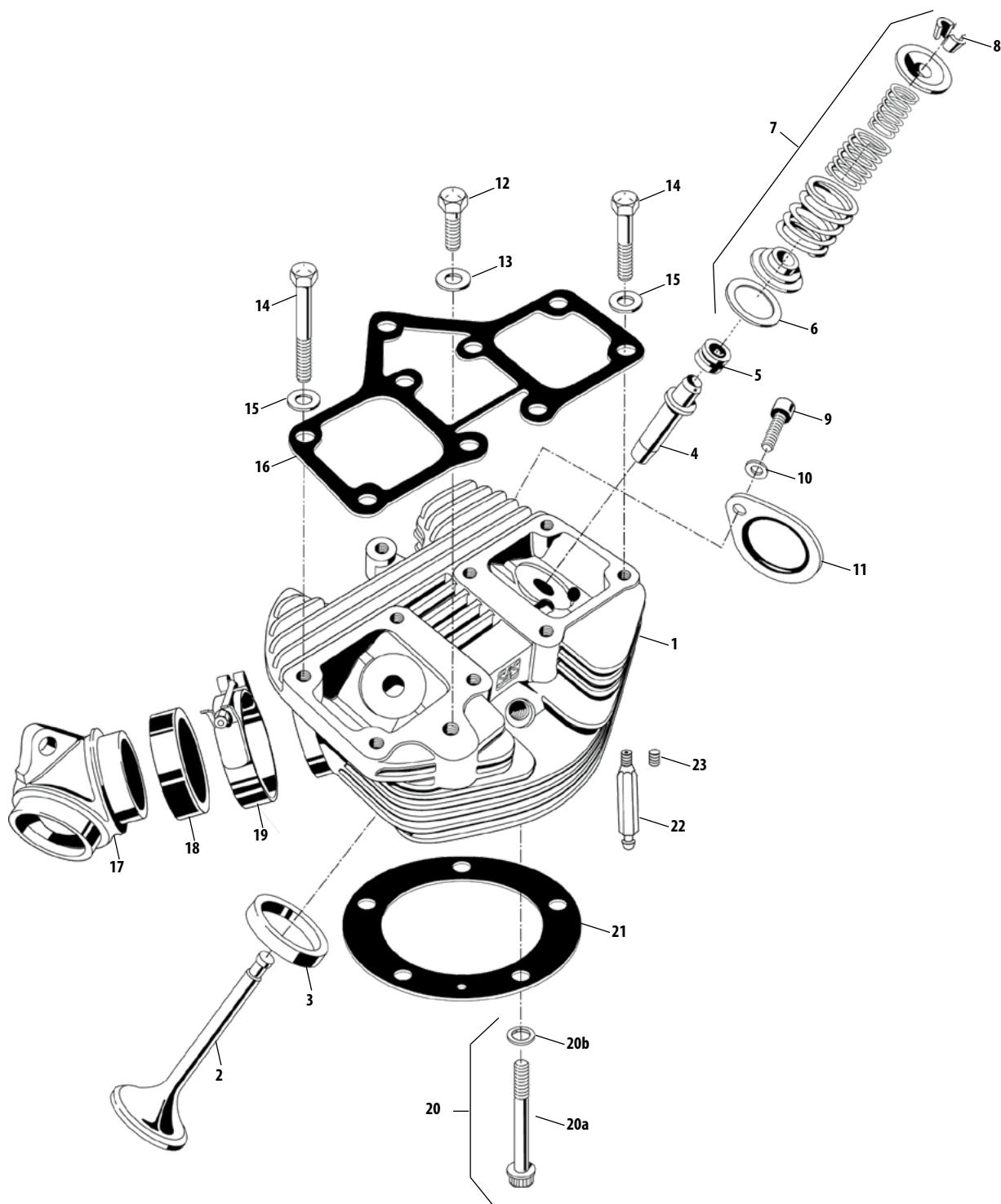
TOP END REBUILD GASKET KITS FOR S&S® ENGINES FOR BIG TWINS

S&S Engine Family	Year Group	Bore Size	Part #	MSRP
P Series/SH-Series	1966-'84	3 5/8"	90-9501	\$205.95
P Series/SH-Series	1966-'84	3 1/2"	90-9500	\$203.95

CYLINDER HEAD GASKET KITS FOR S&S® ENGINES FOR BIG TWINS

S&S Engine Family	Year Group	Bore Size	Part #	MSRP
P Series/SH-Series	1966-'84	3 5/8"	90-1918	\$102.95
P Series/SH-Series	1966-'84	3 1/2"	90-1917	\$112.95

S&S Vintage 1936-1999



S&S SUPER STOCK

All reference to HD® part numbers is for identification purposes only. We in no way are implying that any of S&S Cycle's products are original equipment parts or that they are equivalent to the corresponding HD® part number shown.



For P-Series Engines, Panhead Cylinder Head And Valve Train Update Kit & Shovelhead Retro Conversion Kit

Order 608-627-1497

1. Cylinder head—..... **N/A**
2. Valves
Intake
1.950" 18075-80, 18075-81, 18078-80, 18078-81, 18078-81 **90-2015 \$90.95**
Exhaust—1948-'84 bt
1.720" 18086-80, 18086-81, 18089-80, 18089-81 **90-2022 \$90.95**
3. Valve seats
Intake - 1.940"
Standard 18020-79, 18018-66, 18056-66B **90-2017 \$40.95**
+.002" oversize **N/A**
Exhaust - 1.750"
Standard 18017-66, 18055-66B, 18010-79 **90-2018 \$40.95**
+.010" oversize **90-2121 \$50.95**
4. Valve guide - cast - 1980-'84 bt
Intake or Exhaust (see valve guide diameter chart)
Standard **90-2240 \$23.95**
+.001" 18109-81A **90-2241 \$61.95**
+.002" 18108-81A, 90-2232 **90-2242 \$71.95**
+.003" 18107-81A, 90-2233 **90-2243 \$71.95**
+.004" 18106-81A, 90-2234 **90-2244 \$71.95**
+.060" **90-2249 \$71.95**
5. Valve guide seal—intake or exhaust 1981-'84 bt 18000-81
4 pack **900-1005 \$16.95**
6. Valve spring shim - Late 1981-'84 bt
.005" x .765" x 1.500" each **50-7121 \$9.95**
.015" x .765" x 1.500" each **50-7122 \$7.95**
.025" x .765" x 1.500" each **50-7123 \$7.95**
7. Valve spring kit—Late 1981-'84
(Includes springs, top & bottom collars, keepers shims)
.590" lift - steel top collars **90-2063 \$234.95**
8. Valve spring keeper - Intake or exhaust 1936-'84 bt
each **90-2037-S \$8.95**
8 pack **50-7165 \$40.95**
9. Top Collar, Steel, .590" **90-2057 \$16.95**
10. Inner Spring, .590" **90-2054 \$15.95**
11. Middle Spring, .590" **90-2055 \$15.95**
12. Outer Spring, .590" **90-2056 \$15.95**
13. Bottom Collar, Steel, .590" **90-2062 \$15.95**
14. Screw, SHCS, 5/16-18 x 3/4" Zinc 3275 **50-0302-S \$4.95**
15. Lock washer - 5/16" **50-7032 \$4.95**
16. Exhaust pipe gasket - 1966-'84 bt each **93-1004-S \$10.95**
17. Intake manifold (See page 158)
18. Manifold seal—O-ring - 1955-'78 bt 27060-55
each **50-8046 \$9.95**
10 pack **50-8132 \$59.95**
19. Manifold mounting clamp O-ring type heads
1955-'78 bt 27063-57 **16-0230 \$28.95**
20. Head bolt assembly, stainless - 1948-'84 bt
(Includes head bolt & washer) 6469HW 10 Pack **93-3024 \$113.95**
a. Head Bolt, 12 pt, 7/16-20 X 2-3/8" x 1" TD 1324-S
each **93-3024-S \$12.95**
b. Head bolt washer - 1936-'84 bt, each **93-3025 \$8.95**

21. Head Gaskets
Head, Gasket, Copper - 1966-84bt
21a. 3 7/16" & 3 1/2" Bore
each 16770-66B **93-1041 \$40.95**
10 pack **93-1061 \$319.95**
Head Gasket Kit **106-1095 \$102.95**
21b. 3 5/8" Bore
each **93-1042 \$40.95**
10 pack **93-1062 \$326.95**
Head Gasket Kit **106-1096 \$102.95**
Head Gasket, Composite - 1948-65 bt
21c. 3 5/8" Bore
each **93-1019 \$40.95**
Head Gasket, Copper - 1948-65 bt
21d. 3 7/16" & 3 1/2" Bore
each 16770-48 **106-5933 \$40.95**
21e. 3 5/8" Bore
each **106-5937 \$40.95**
Head Gasket Kit **106-5938 \$159.95**
22. Rocker arm support
Front intake/rear exhaust **106-0928 \$186.95**
Rear intake/front exhaust **106-0929 \$186.95**
23. Pin, 1/4" diameter x 1/2" each **50-8022 \$8.95**
2 pack **50-8022-2 \$13.95**
5 pack **50-8105 \$13.95**
24. Gasket, rocker cover 1948-'65 bt each **900-0329 \$23.95**
Set 117541-48 **900-0339 \$40.95**
25. Screw, SHC #10-24 x 3/4" 2674, 2675 each **106-0913 \$8.95**
26. Shaft, Rocker Arm, S&S P-Series **106-0915 \$65.95**
4 pack **106-0916 \$195.95**
27. Snap ring SHF-37 3/8" x .050" each **106-0917 \$6.95**
28. Roller rocker arm
Set **900-4320A \$652.95**
Front exhaust/rear intake 17375-66A **900-4320FA \$203.95**
Rear exhaust/front intake 17360-66A **900-4320RA \$203.95**
29. Fitting, oil return, 1/8"-27 pipe 63533-65, 63533-41A **31-2019 \$27.95**
30. Plug, oil return, 1/8"-27 pipe each **50-8331A \$7.95**
31. Flat washer, .192" x 5/16" x .035"
each **50-7009 \$6.95**

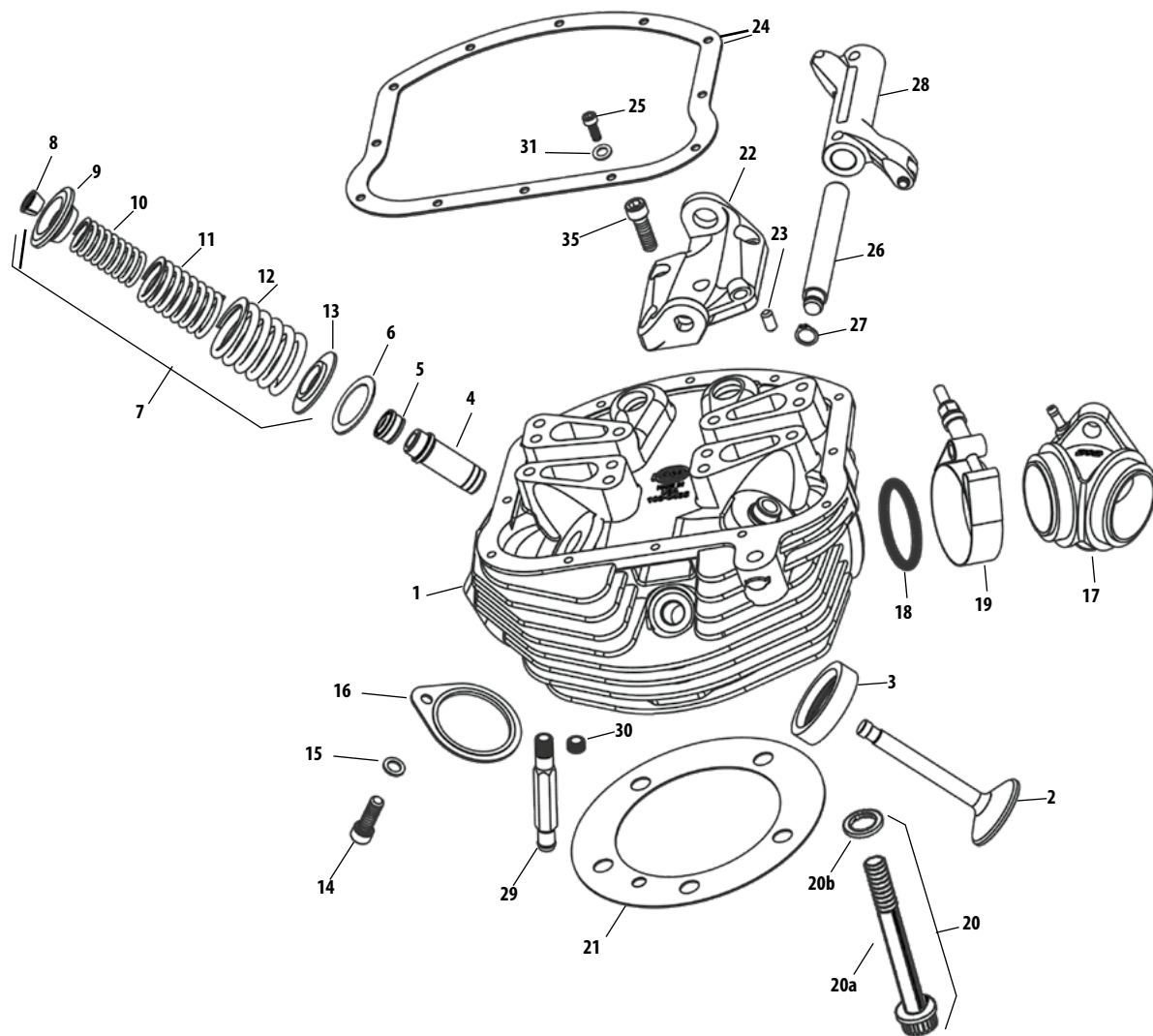
Not Shown:

32. Head mount bolt - 7/16"-14 x 1/4"
each **50-0171 \$6.95**
33. Flat washer - 7/16" x 15/16" x 1/8" 6495HW **50-7064 \$6.95**
34. Cover, rocker arm, set, 1948-'65 bt 17500-48A **106-0919 \$367.95**
35. Screw, SHC, 5/16-18 x 1", Zinc, ASTM A574-92
3201WA, 2708 **50-0101 \$4.95**

N/A= No longer available

All reference to HD® part numbers is for identification purposes only. We in no way are implying that any of S&S Cycle's products are original equipment parts or that they are equivalent to the corresponding HD® part number shown.

S&S Vintage 1936-1999



TOP END REBUILD GASKET KITS FOR S&S® ENGINES				
S&S Engine Family	Year Group	Bore	Part #	MSRP
P Series/SH-Series	1966-'84	3⅝"	90-9501	\$205.95
P Series/SH-Series	1966-'84	3½"	90-9500	\$203.95

VALVE GUIDE DIAMETERS FOR S&S® P AND SH SERIES ENGINES AND 1980-'84 BIG TWIN			
Oversize	Diameter	Part #	MSRP
Std.	.6250/.6245	90-2240	\$23.95
+.001 18109-81A	.6260/.6255	90-2241	\$61.95
+.002 18108-81A, 90-2232	.6270/.6265	90-2242	\$71.95
+.003 18107-81A, 90-2233	.6522/.6519	90-2243	\$71.95
+.004 18106-81A, 90-2234	.6290/.6285	90-2244	\$71.95
+.060	.6850/.6845	90-2249	\$71.95

All reference to HD® part numbers is for identification purposes only. We in no way are implying that any of S&S Cycle's products are original equipment parts or that they are equivalent to the corresponding HD® part number shown.

Cylinder Head Replacement Parts

For 1936-'47 knuckleheads and KN-series Engines



S&S Vintage 1936-1999

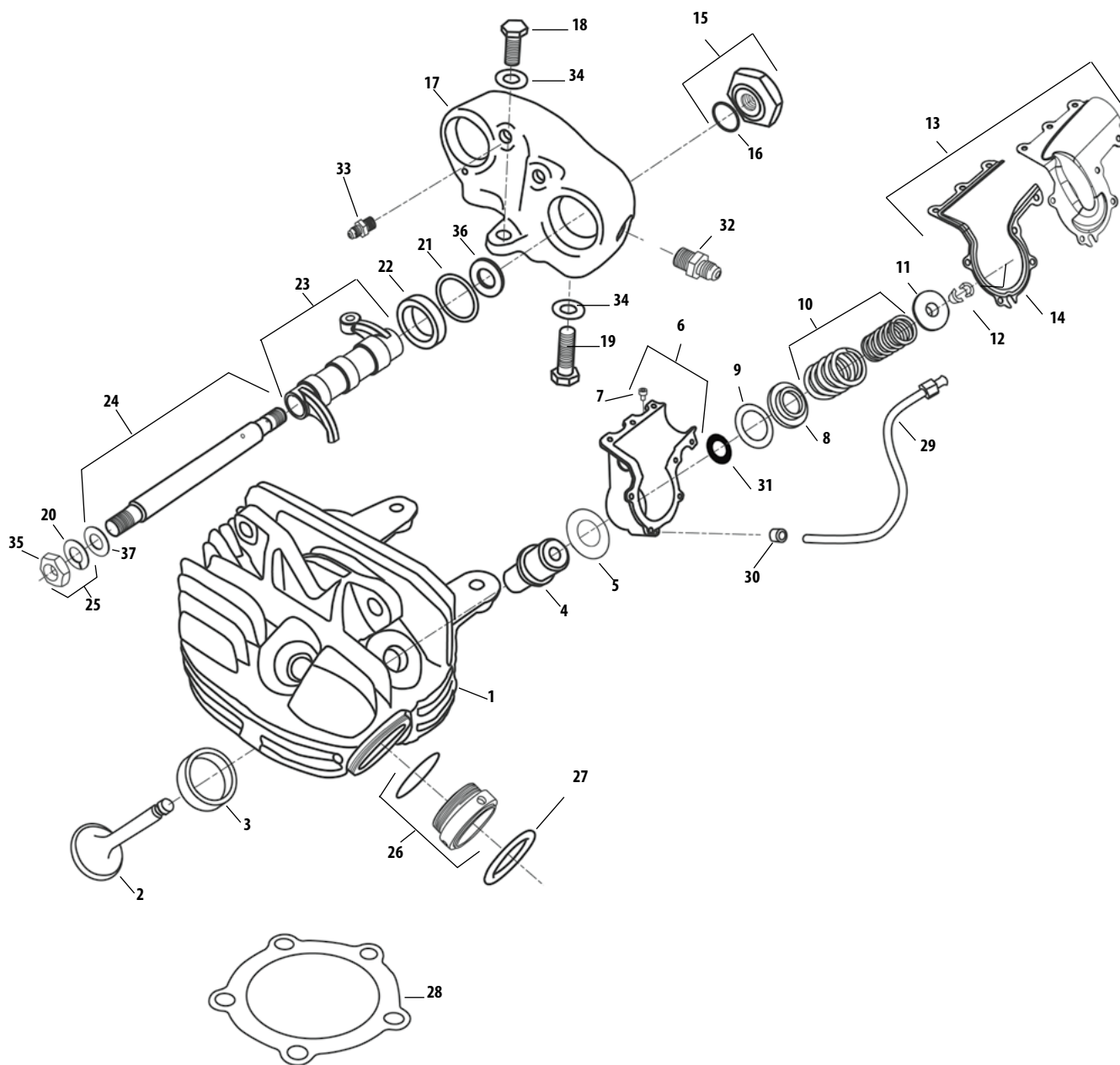
Order 608-627-1497

- | | |
|---|---|
| 1. Head, kit, .421" dual steel
For covers, gloss black
1936-'47 OHV BT; KN-Series
Front 106-0418 \$899.95
Rear 106-0419 \$899.95 | (Includes shaft kit) Set of four 106-2412 \$1,336.95
Front Intake w/shaft 106-2862 \$349.95
Front Exhaust w/shaft 106-2863 \$371.95
Rear Intake w/shaft 106-2864 \$349.95
Rear Exhaust w/shaft 106-2865 \$371.95 |
| 2. Valve
Intake, 1.940" 106-3630 \$61.95
Exhaust, 1.750" 106-3629 \$54.95 | 24. Shaft, set, rocker arm, 1936-'47 OHV BT; KN Series
(Set of four, Includes spacers and hardware) 106-2413 \$444.95 |
| 3. Valve seat
Intake, 1.940" 106-2821 \$61.95
Intake/Exhaust, 1.750" 106-2822 \$60.95 | 25. Nut kit, rocker arm 7837 106-3632 \$11.95 |
| 4. Valve guide, intake/exhaust for S&S KN-Series
Standard 900-0526 \$43.95
+.002" 900-0527 \$40.95
+.004" 900-0528 \$40.95
+.008" 900-0529 \$40.95 | 26. Adaptor, Manifold, conversion, plumber to o-ring 106-4654 \$61.95 |
| 5. Gasket, lower valve cover (tin), 1936-'47 OHV BT 900-0668 \$11.95 | 27. O-ring, manifold 27060-55 each 50-8046 \$9.95
10 pack 50-8132 \$59.95 |
| 6. Cover, kit, bottom, valve spring, (tins), black anodized,
(includes screws) 1938-'47 BT KN-Series 900-0674 \$1,174.95
NOTE - bottom tins will not fit stock upper tins. | 28. Gasket, set, head, KN-Series, Copper
3 3/8" bore (each) 106-2681 \$43.95
2 pack 106-2432 \$81.95
3 7/16" bore 106-2689 \$79.95 |
| 7. Screw, valve spring cover 3477 106-3634 \$7.95
NOTE - Valve spring components below are not interchangeable with
stock and must be used together. | 29. Oil line, Return 1936-'47 OHV BT (S&S Tins Only)
Kit of 4 106-4446 \$183.95
Front Intake 106-4447 \$61.95
Front Exhaust 106-4448 \$61.95
Rear Intake 106-4449 \$61.95
Rear Exhaust 106-4450 \$50.95 |
| 8. Bottom collar, valve spring 900-0670 \$16.95 | 30. Seal, Oil Return Line, FHP tins only
28" OD x .18" ID x 1", Rubber Hose 106-4456 \$14.95 |
| 9. Shim, valve spring .015" 106-4549 \$8.95 | 31. O-ring 900-0669 \$40.95 |
| 10. Spring, kit, valve, dual, .421" 106-4362 \$80.95
Springs only, 1936-'47 OHV BT 900-0535 \$244.95 | 32. Oil supply fitting, Cad Plated 17325-42 106-4618 \$19.95 |
| 11. Top collar, valve spring 106-3828 \$19.95 | 33. Oil return fittings, Parkerized 17320-38 106-4619 \$16.95 |
| 12. Keepers, valve spring, top collar 90-2037-S \$8.95
8 Pack 50-7165 \$40.95 | 34. Washer, Lock, .385" x .680" x .094", Zinc 50-7052 \$6.95 |
| 13. Cover, kit, top, valve spring, (tins) 1938-'47 BT; KN-Series
Gloss Black Powder coat N/A -
NOTE - top tins will not fit stock bottom tins. | 35. Nut, Jam, 7/16-20, Zinc 106-4356 \$6.95 |
| 14. Gasket, kit, valve spring cover, top, S&S only 106-3166 \$163.95 | 36. Washer, Thrust, Stepped, .015" 17465-36 106-4352 \$16.95 |
| 15. Nut, rocker shaft, with o-ring, chrome 1936-'47 OHV BT
17447-36 each 106-4355± \$40.95 | 37. Washer, Thrust, Stepped, .060" 106-4883 \$23.95 |
| 16. O-ring, (-017), .676" ID x .816" OD, Black, 50-0466 \$6.95 | Parts Not Shown: |
| 17. Housing, rocker arm, (knuckles), 1936-'47 OHV BT
Set, Polished 900-0617 \$693.95
Front, Polished 900-0618 \$377.95
Rear, Polished 900-0619 \$377.95
Set, As Cast 900-0622 \$489.95
Front, As Cast 900-0623 \$275.95
Rear, As Cast 900-0624 \$275.95 | 38. Manifold, kit, o-ring, 1 7/8", VOES, KN93 106-4530 \$193.95 |
| 18. Screw, HHCS, 3/8-16 x 1" - Cadmium plated 106-4597 \$11.95 | 39. Gasket, kit, engine, KN-Series, with hardware 106-2414 \$356.95 |
| 19. Screw, HHCS, 3/8-16 x 1 1/2" - Cadmium plated 106-4598 \$11.95 | 40. Pushrod, set, non-adjustable, KN93, steel
1936-'47 OHV BT 930-0009 \$216.95 |
| 20. Washer, Lock, 7/16", Zinc 106-4357 \$6.95 | 41. Cover keeper, kit, pushrod,
KN93 17949-40, 17950-66. 93-4106 \$40.95 |
| 21. Washer, packing 1936-'47 OHV BT 17482-36 106-4358 \$13.95 | 42. Oil line, supply, "Y" feed, 1936-'47 OHV BT
Stock 74", KN74, KN93, S&S/Stock Carb 106-4670 \$125.95 |
| 22. Seal, rocker arm, 1936-'47 OHV BT 17475-38 106-3636 \$14.95 | 43. Bottom collar spacer—required when using S&S valve springs
with stock steel "tins" 106-5094 \$19.95 |
| 23. Rocker arm, non-roller, 1:1 ratio, 1936-'47 OHV BT; KN-Series | 44. Rocker arm cover gasket kit, 1936-'47 big twin 900-0493 \$241.95 |

All reference to HD® part numbers is for identification purposes only. We in no way are implying that any of S&S Cycles products are original equipment parts or that they are equivalent to the corresponding HD® part number shown.

⚠ WARNING: Cancer and Reproductive Harm—www.P65Warnings.ca.gov

S&S Vintage 1936-1999



VALVE GUIDE DIAMETERS FOR S&S KN SERIES ENGINES AND 1936-'47 OHV BIG TWIN

Oversize	Diameter	Part #	MSRP
Std.	.6442/.6439	900-0526	\$43.95
+ .002	.6462/.6459	900-0527	\$40.95
+ .004	.6482/.6479	900-0528	\$40.95
+ .008	.6522/.6519	900-0529	\$40.95

For 1966-'84 Big Twin Engines

- 1. Rocker cover, assembly front N/A
- 2. Rocker cover, assembly rear N/A
- 3. Screw, SHS **50-0294-S** \$4.95
- 4. Nut, HFH 3/16" UNC **50-8187-S** \$10.95
- 5. Screw, SHS **50-0318-S** \$4.95
- 6. O-ring, Viton® -019 each **50-7962-S** \$6.95
- 7. O-ring, Viton 1.00 mm CS x 14.00mm **50-7963-S** \$6.95
- 8. O-ring, front, Viton 1.00mm CS x 9.50mm ID **50-7965-S** \$6.95
O-ring, rear, Viton 1.00mm CS x 11.00mm ID
10 pack **50-7966** \$18.95
- 9. O-ring, Viton -160 **50-7961-S** \$9.95
- 10. Rocker shaft set (For S&S rocker covers only.)
Set **90-4351** \$122.95
Individual **90-4350** \$33.95
- 11. Plug, rocker arm shaft (4 pack) **50-8340** \$107.95
- 12. Roller Rocker arm 1966-'84 big twin
Set **900-4320A** \$652.95
Front 17375-66A **900-4320FA** \$203.95
Rear 17360-66A **900-4320RA** \$203.95
- 13. Dowel pin, 187" x .635", Steel **50-8031** \$6.95
- 14. Gasket kit, S&S billet rocker covers (Not Shown) **90-4311** \$61.95
- 15. Plug, SH pipe - 1/8-27 **50-8331A** \$7.95

ROCKER SHAFT AND OIL LINE SEALS

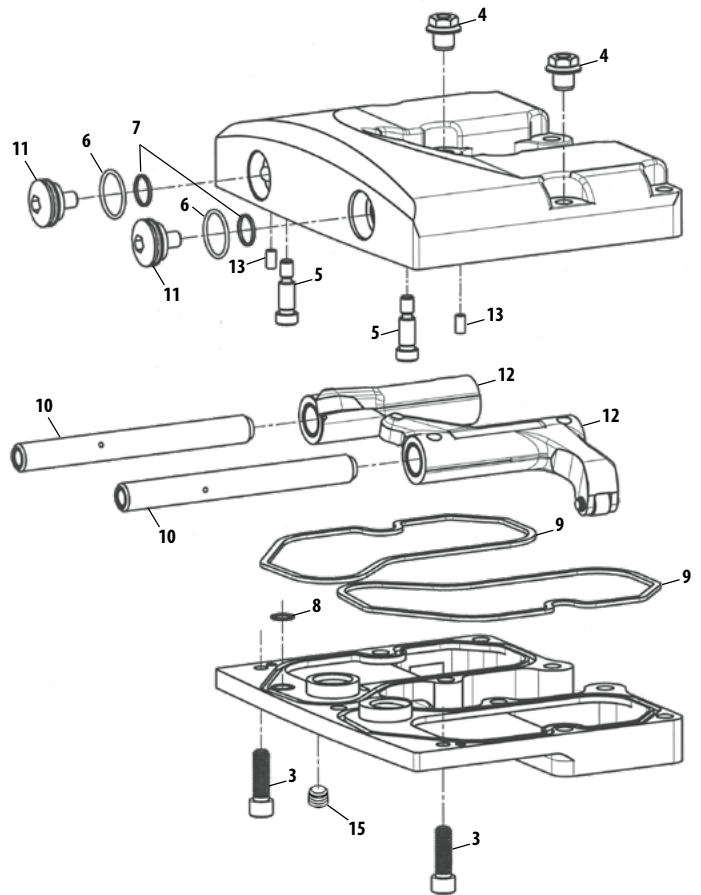
Rocker Shaft Seal

S&S SH-Series and 1966-'84 bt with stock rocker covers (N/S) ... **50-8073-S** \$6.95

Oil Line Seal-S&S SH-Series and 1966-'84 bt using outside oil lines (N/S)
..... **50-8074-S** \$9.95

(N/S) = Not Shown

NOTE: Since top cover and base are machined together, replacements are only sold as assemblies to prevent mismatch of polished surfaces.



Order 608-627-1497

S&S Vintage 1936-1999

- 1. Throttle return spring **11-2082** \$8.95
- 2. Throttle plate screw
11-2045 each **50-0055-S** \$6.95
10 pack **50-0064** \$14.95
- 3. Throttle shaft
Comes with two throttle plate screws **11-2083** \$27.95
- 4. Throttle shaft bushing
(For repair only) **11-2134** \$70.95
- 5. Enrichment device **11-2084±** \$40.95
- 6. Carb body **11-2081±** \$499.95
- 7. Idle mixture screw each **11-2354** \$14.95
5 pack **11-2378** \$60.95
- 8. Idle mixture screw spring each **11-2052** \$4.95
10 Pack **11-2060** \$12.95
- 9. O-ring—17/8" 16-0056 **50-8013** \$6.95
- 10. Throttle plate—17/8" **11-2055** \$16.95
- 11. Throttle arm assemble two cable type
(includes #25,26,27,28) **11-2148** \$111.95
- 12. Intermediate jet—See chart on page 163
- 13. Main discharge tube **11-2085±** \$17.95
- 14. Main jet—See chart on page 164
- 15. Bowl gasket each **11-2086** \$8.95
10 pack **11-2091** \$28.95
- 16. Float
Wire type **11-2187** \$28.95
Forked type **N/A** —
- 17. Float retaining pin **11-2069** \$16.95
- 18. Bowl
For wire type float **11-2188** \$191.95
- 19. Needle
For wire type float **11-2195±** \$19.95
For forked type **11-2095** \$40.95
- 20. Seat—For wire or forked type float **11-2065** \$17.95
- 21. Bowl plug each **11-2090** \$10.95
5 pack **11-2092±** \$53.95
- 22. Bowl screw each **50-0034** \$6.95
10 Pack **50-0063** \$19.95
- 23. Spacer, Kit, Carb, 1-7/8" x 1" **16-0057*** \$81.95
Spacer, Kit, Carb, 2-1/16" x 1" **16-0357*** \$91.95
Spacer, Kit, Carb, 2-1/4" x 1" **16-0157*** \$91.95
- 24. Screw,
1" x 3/8"-16 **50-0161** \$4.95
1 1/4" x 3/8"-16 **50-0162** \$6.95
10 pack **50-0177** \$15.95
1 3/8" x 3/8"-16 **50-0163** \$8.95
5 pack **50-0178** \$16.95
2" x 3/8"-16 **50-0164** \$7.95
5 pack **50-0185** \$20.95
- 25. Spring, Idle/Accelerator Pump, Super B/D/E **11-2048** \$4.95
- 26. Screw, SLTD FH, 8-32 x 7/8", Zinc, Steel **50-0038** \$6.95
10 pack **50-0150** \$13.95
- 27. Screw, SLTD FH, 8-32 x 5/8", Zinc, Steel **50-0039** \$6.95
10 pack **50-0146** \$9.95

- 28. Screw, SLTD FH, 8-32 x 3/16", Zinc, Steel **50-0030-S** \$4.95
- 29. Tube Fast Idle Pickup .125" x 2.350" **0381F** \$10.95

CARBURETOR REBUILD KITS

Master Rebuild Kit

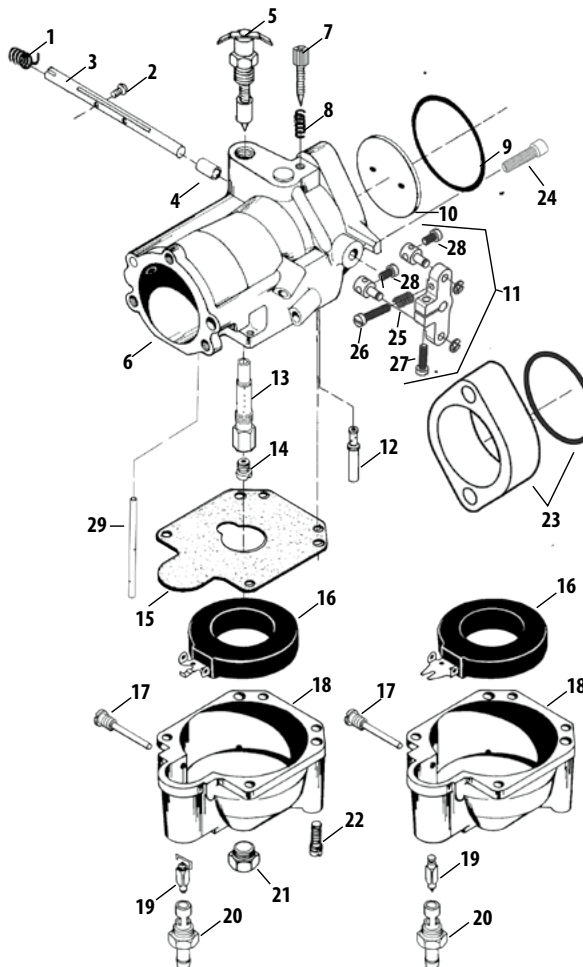
Super B
(includes #1, 2, 3, 4, 7, 8, 9, 10, 15, 17, 19, 20, 22, 25, 26, 27, & 28) **11-2914±** \$104.95

Body Rebuild Kit

Super A/B
..... **11-2903±** \$61.95

CARBURETOR KIT	PART #	MSRP
Fully-assembled carburetor	11-0111	\$877.95

NOT LEGAL FOR SALE OR USE IN CALIFORNIA ON ANY POLLUTION CONTROLLED MOTOR VEHICLE.
NOT LEGAL FOR SALE OR USE NATIONWIDE ON ANY FEDERAL POLLUTION CONTROLLED MOTOR VEHICLE UNDER THE CLEAN AIR ACT



Early Series #94 gas jets were stamped with single digit numbers. Conversions for these numbers are:

1.....	.025"	4.....	.033"
2.....	.028"	5.....	.036"
3.....	.031"	6.....	.040"

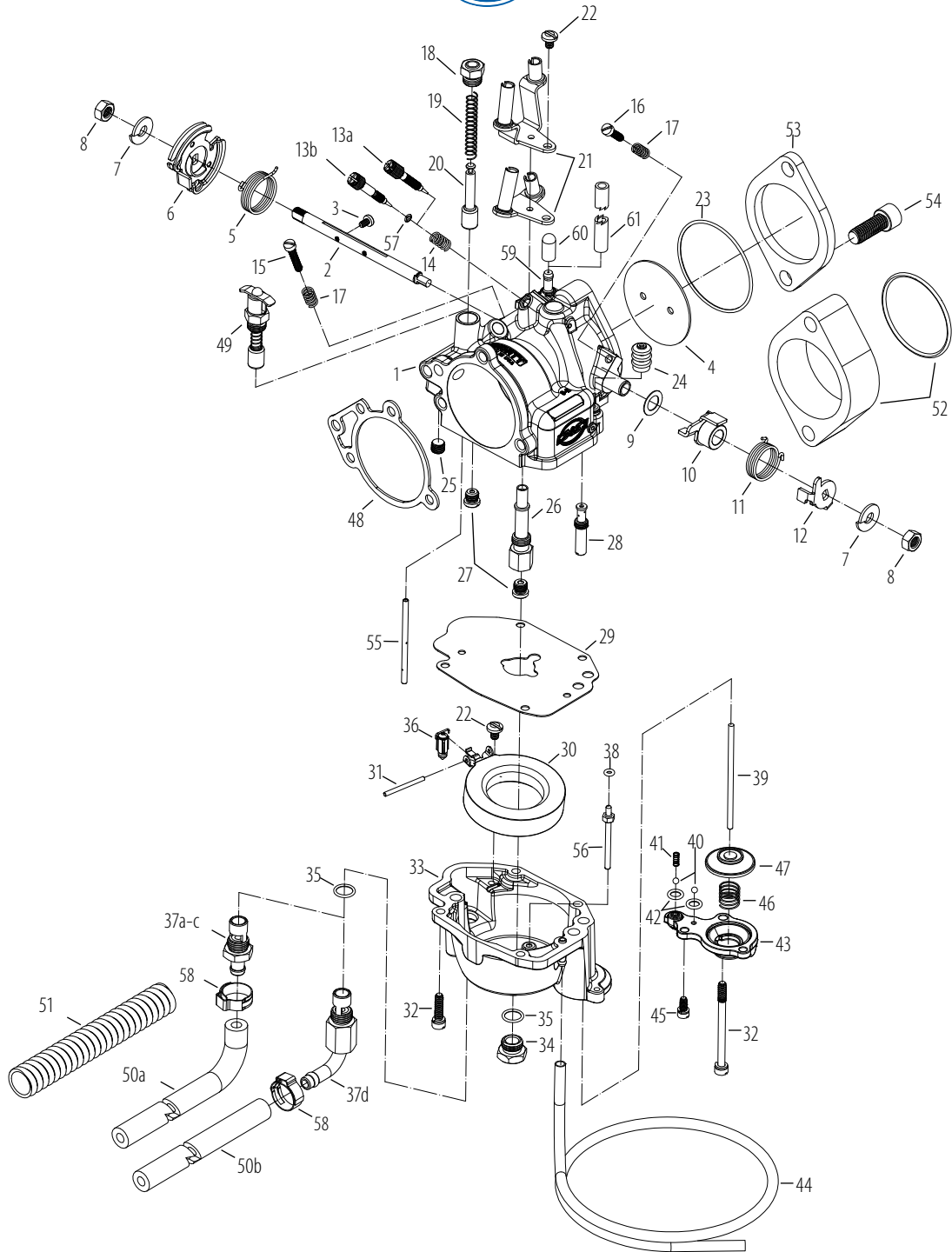
± WARNING: Cancer and Reproductive Harm—www.P65Warnings.ca.gov



Order 608-627-1497

- | | | |
|--|------------------|----------|
| 1. Carb body assembly | | |
| 1 7/8" Super E..... | 11-2381± | \$305.95 |
| 2 1/16" Super G..... | 11-2391± | \$316.95 |
| 2. Throttle shaft | | |
| 1 7/8" Super E—Includes two plate screws..... | 11-2383 | \$31.95 |
| 2 1/16" Super G—Includes two plate screws..... | 11-2483 | \$28.95 |
| 3. Throttle plate screw <i>11-2045- (two required) (each)</i> | 50-0055-S | \$6.95 |
| <i>10 pack.....</i> | 50-0064 | \$14.95 |
| 4. Throttle plate | | |
| 1 7/8" Super E..... | 11-2055 | \$16.95 |
| 2 1/16" Super G..... | 11-2355 | \$21.95 |
| 5. Throttle return spring <i>(each)</i> | 11-2382 | \$7.95 |
| <i>5 Pack.....</i> | 11-3502 | \$12.95 |
| 6. Throttle spool..... | 11-2385 | \$23.95 |
| 7. Throttle shaft lock washer <i>(two required)</i> | 50-7031 | \$6.95 |
| 8. Throttle shaft nut <i>(two required) (each)</i> | 11-2350 | \$7.95 |
| <i>5 pack.....</i> | 11-2363 | \$12.95 |
| 9. Throttle shaft nylon washer <i>(each)</i> | 50-7050 | \$6.95 |
| <i>10 pack.....</i> | 50-7072 | \$12.95 |
| 10. Pump actuator lever..... | 11-2376 | \$14.95 |
| 11. Actuator spring <i>(each)</i> | 11-2375-S | \$6.95 |
| <i>5 pack.....</i> | 11-3501 | \$14.95 |
| 12. Pump actuator arm..... | 11-2377 | \$8.95 |
| 13. Idle mixture screw | | |
| a. Idle mixture screw, brass <i>(each)</i> | 11-2354± | \$14.95 |
| <i>5 pack.....</i> | 11-2378± | \$60.95 |
| b. Idle mixture screw only | | |
| <i>each.....</i> | 110-0003 | \$16.95 |
| Idle mixture screw w/ 500-0036 o-ring..... | | \$70.95 |
| <i>each.....</i> | 110-0068± | \$17.95 |
| <i>5 pack.....</i> | 110-0069± | \$70.95 |
| 14. Idle mixture screw spring <i>(each)</i> | 11-2052 | \$4.95 |
| <i>10 Pack.....</i> | 11-2060 | \$12.95 |
| 15. Idle speed screw <i>(each)</i> | 50-0038 | \$6.95 |
| <i>10 Pack.....</i> | 50-0150 | \$13.95 |
| 16. Pump adjustment screw <i>(each)</i> | 50-0039 | \$6.95 |
| <i>10 Pack.....</i> | 50-0146 | \$9.95 |
| 17. Idle speed/pump adjuster spring <i>(each)</i> | 11-2048 | \$4.95 |
| <i>10 pack.....</i> | 11-2053 | \$12.95 |
| 18. Plunger nut <i>(each)</i> | 11-2344± | \$8.95 |
| <i>5 Pack.....</i> | 11-2372± | \$19.95 |
| 19. Plunger spring <i>(each)</i> | 11-2340 | \$6.95 |
| <i>10 Pack.....</i> | 11-2359 | \$15.95 |
| 20. Fast idle plunger..... | 11-2343 | \$19.95 |
| 21. Cable guide assembly with screw | | |
| Use with butterfly style cables..... | 11-2339P | \$40.95 |
| Use with constant velocity style cables..... | 11-2338P | \$40.95 |
| 22. Cable clamp/float pin screw <i>(each)</i> | 50-0041 | \$6.95 |
| <i>10 Pack.....</i> | 50-0062 | \$9.95 |
| 23. O-ring | | |
| 1 7/8" Super E <i>(each)</i> | 50-8016 | \$6.95 |
| <i>10 Pack.....</i> | 50-8094 | \$14.95 |
| 2 1/16" Super G <i>(each)</i> | 50-8015 | \$7.95 |
| <i>10 pack.....</i> | 50-8093 | \$15.95 |
| 24. Bellows seal <i>(each)</i> | 11-2266 | \$9.95 |
| <i>5 Pack.....</i> | 11-2279 | \$24.95 |
| 25. Bowl vent plug <i>(each)</i> | 50-0105 | \$6.95 |
| <i>10 pack.....</i> | 50-0151 | \$11.95 |
| 26. Main discharge tube..... | 11-2085± | \$17.95 |
| 27. Main jet—See Chart on page 164 | | |
| 28. Intermediate Jets—See Chart on page 163 | | |
| Series #94 fits all Super 1 7/8", 2 1/16", 2 1/4" gas carburetors. | | |
| 29. Bowl gasket <i>(each)</i> | 11-2386 | \$8.95 |
| <i>10 pack.....</i> | 11-2387 | \$40.95 |
| 30. Float..... | 11-2187 | \$28.95 |
| 31. Float pin <i>(each)</i> | 11-2369± | \$7.95 |
| <i>5 Pack.....</i> | 11-2370± | \$12.95 |
| 32. Bowl screw | | |
| 10-24 x 3/4" - Three required <i>(each)</i> | 50-0034 | \$6.95 |
| <i>10 Pack.....</i> | 50-0063 | \$19.95 |
| 10-24 x 2 3/8" - One required <i>(each)</i> | 50-0040 | \$6.95 |
| <i>10 Pack.....</i> | 50-0061 | \$14.95 |
| 33. Carb bowl <i>(only)</i> | 11-2388 | \$92.95 |
| Carb bowl complete assembly..... | 11-2388P | \$214.95 |
| 34. Bowl plug <i>(each)</i> | 11-2090 | \$10.95 |
| <i>5 pack.....</i> | 11-2092± | \$53.95 |
| 35. Seat o-ring* <i>(required with part #11-2465 only when replaces 360° style fuel inlet.)</i> | | |
| <i>each.....</i> | 50-8009 | \$6.95 |
| <i>10 pack.....</i> | 50-8095 | \$19.95 |
| 36. Needle | | |
| 1 7/8" Super E & 2 1/16" Super G..... | 11-2195± | \$19.95 |
| Racing only..... | 11-2197± | \$81.95 |
| 37. Seat - Includes O-ring #35 | | |
| <i>(Replaces obsolete seats 11-2347 and 11-2348)</i> | | |
| a. 1 7/8" E & 2 1/16" G <i>(Uses part #11-2195± needle)</i> | 11-2465 | \$18.95 |
| b. Racing only <i>(Uses part #11-2197± needle)</i> | N/A | - |
| c. Racing only -threaded fuel inlet (6AN .157" ID) | | |
| <i>(Uses part #11-2195± needle)</i> | 11-2395 | \$50.95 |
| d. Permeation Compliant fuel inlet seat Super E or G. | | |
| <i>(Uses part #11-2195± needle)</i> | 106-2011 | \$40.95 |
| 38. Ejector nozzle o-ring <i>(each)</i> | 50-8011 | \$7.95 |
| <i>10 Pack.....</i> | 50-8096 | \$13.95 |
| 39. Pump pushrod <i>(each)</i> | 11-2373 | \$11.95 |
| <i>5 Pack.....</i> | 11-2393 | \$40.95 |
| 40. Check ball - <i>(two required) (each)</i> | 50-8090 | \$6.95 |
| <i>10 pack.....</i> | 50-8125 | \$10.95 |
| 41. Check ball spring <i>(each)</i> | 11-2374 | \$6.95 |
| <i>5 Pack.....</i> | 11-2392 | \$14.95 |
| 42. Pump cap o-ring - <i>(two required) (each)</i> | 50-8012 | \$6.95 |
| <i>10 Pack.....</i> | 50-8100 | \$16.95 |
| 43. Pump cap assembly..... | 11-2389 | \$40.95 |
| 44. Overflow hose per 24" 27369-76 <i>(each)</i> | 19-0262-S | \$10.95 |
| <i>5 Pack.....</i> | 19-0263 | \$40.95 |
| 45. Pump cap screw 8-32 - <i>(two required) (each)</i> | 50-0042 | \$6.95 |
| <i>10 Pack.....</i> | 50-0098 | \$10.95 |
| 46. Diaphragm spring <i>(each)</i> | 11-2275 | \$7.95 |
| <i>10 pack.....</i> | 11-2278 | \$13.95 |
| 47. Diaphragm..... | 11-2282 | \$21.95 |
| 48. Gasket, backplate <i>(each)</i> | 106-1724 | \$8.95 |
| <i>10 pack.....</i> | 106-2328 | \$40.95 |
| 49. Enrichment device <i>(Use with air horn only)</i> | 11-2084 | \$40.95 |
| 50. Fuel line | | |
| a. Fuel line with 90° bend 19" <i>(Use with part #11-2465)</i> | | |
| | 190-0006 | \$12.95 |
| b. Permeation Compliant straight, 311" x .563" x 17.5" | | |
| <i>(Use with part #106-2011 90° seat)</i> | 190-0001 | \$13.95 |
| 51. Fuel line insulator—12" | 19-0172 | \$40.95 |
| 52. Spacer, Kit, w/ O-ring | | |
| 1 7/8" x 1"..... | 16-0057* | \$81.95 |
| 2 1/16" x 1"..... | 16-0357* | \$91.95 |
| 2 1/4" x 1"..... | 16-0157* | \$91.95 |
| *Use with 1" Spacer Block..... | 16-0058 | \$171.95 |
| 53. Insulator Block, Manifold, w/ O-ring | | |
| 1 7/8" x 1/4" Super E..... | 16-0491 | \$40.95 |
| 1 7/8" x 3/8" Super E..... | 16-0497 | \$40.95 |
| 2 1/16" x 1/4" Super G..... | 16-0492 | \$40.95 |
| 2 1/16" x 3/8" Super G..... | 16-0498 | \$41.95 |

S&S Vintage 1936-1999



- 54. Screw**
- 1" x 3/8"-16 (each) **50-0161** \$4.95
- 1 1/4" x 3/8"-16 (each) **50-0162** \$6.95
- 10 pack **50-0177** \$15.95
- 1 3/8" x 3/8"-16 (each) **50-0163** \$8.95
- 5 pack **50-0178** \$16.95
- 2" x 3/8"-16 (each) **50-0164** \$7.95
- 5 pack **50-0185** \$20.95
- 55. Tube, Fast Idle Pick-Up, Super E/G, 125" x 2.350", Brass** **0381F**± \$10.95
- 56. Tube, Ejector Nozzle, Super E/G, Flared, Brass** **106-6124**± \$14.95
- 57. O-ring, 3mm x 5mm x 1mm (each)** **500-0036** \$6.95
- 10 pack **500-0148** \$12.95

- 58. Clamp, 5/8" - 7/8"** **50-8002** \$7.95
- 59. Hose, Fitting straight, .040"** **16-0134** \$8.95
- 60. VOES Fitting Cap** **50-8372** \$6.95
- 61. VOES/Oil Return Hose** **19-0395** \$8.95

± WARNING: Cancer and Reproductive Harm—www.P65Warnings.ca.gov

CARBURETOR REBUILD KITS: SEE PAGE 164



Replacement Parts

1. Carb body assembly - MGL & MGAL 1 7/8"	N/A
2. Throttle shaft (includes 2 ea. #50-0055-S)	11-2083 \$27.95
3. Choke/throttle plate screw	50-0055-S \$6.95
10 pack	50-0064 \$14.95
4. Throttle plate -1 7/8"	11-2055 \$16.95
5. Throttle return spring	11-2082 \$8.95
6. Throttle arm assembly, 1 cable	N/A
7. Intermediate plug	N/A
9. Choke lever washer	N/A
13. Idle mixture screw	11-2354 \$14.95
5 pack	11-2378 \$60.95
14. Idle mixture screw spring	11-2052 \$4.95
10 pack	11-2060 \$12.95
18. Choke lever screw	N/A
19. Choke lever spring	N/A
20. Choke plate	N/A
23. O-ring - 1 7/8"	50-8013 \$6.95
26. Main discharge tube	N/A
27. Main jet - state size - see page 164	
28. Intermediate jet	N/A
29. Bowl gasket	11-2070 \$8.95
30. Float - forked type or original brass type	N/A
31. Float retaining pin	11-2069 \$16.95
32. Bowl screw - 10-24 x 3/4"	50-0032 \$4.95
33. Carb bowl assembly	
Original type	N/A
Forked type	N/A
34. Bottom plug	N/A
36. Needle - forked type	11-2095 \$40.95
37. Seat - forked/wire type	11-2065 \$17.95
51. Choke shaft assembly	N/A
52. Throttle shaft bushing - for repair only	11-2134 \$10.95
54. Lockwasher - #10	50-7000 \$4.95
55. Intermediate air bleed	N/A
56. Spring, Idle/Accelerator Pump, Super B/D/E/G, .032" Wire, .213" x .245" x .506", Stainless Steel	11-2048 \$4.95
10 pack	11-2053 \$12.95
57. Screw, SLTD FH, 8-32 x 7/8", Zinc, Steel	50-0038 \$6.95
10 pack	50-0150 \$13.95
58. Screw, SLTD FH, 8-32 x 5/8", Zinc, Steel	50-0039 \$6.95
10 pack	50-0146 \$9.95
59. Screw, SLTD FH, 8-32 x 5/16", Zinc, Steel	50-0030-S \$4.95

CARBURETOR REBUILD KITS

Body Rebuild Kit

MGL/MGAL (includes:#2,3,4,5,23,29,52)

11-2900± \$50.95

Master Rebuild Kit

MGL (includes#2,3,4,5,13,14,23,29,31,36,37,52,56)

11-2913± \$92.95

MGAL (includes#2,3,4,5,13,14,23,29,31,32,52,53,54,56,57,58,59)

11-2911± \$61.95

N/A = NO LONGER AVAILABLE

N/S = NOT SHOWN

NOTE: When ordering parts, please supply the carb serial number. To order a manifold or air cleaner assembly or any related parts, refer to the Manifold or Air Cleaner sections of this catalog.

Order 608-627-1497

S&S Vintage 1936-1999

± WARNING: Cancer and Reproductive Harm—www.P65Warnings.ca.gov



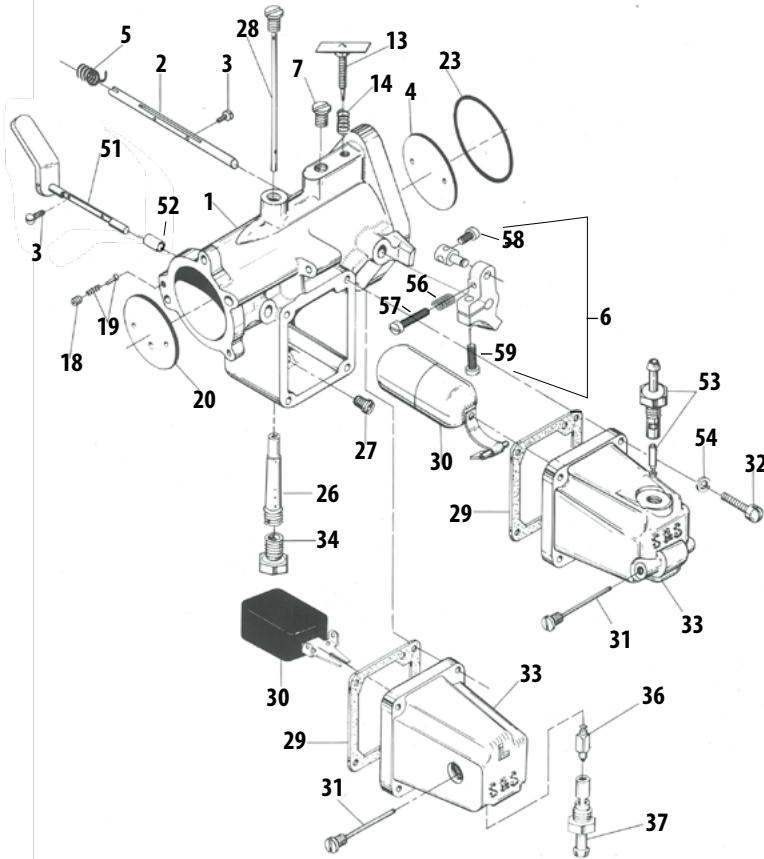
L-Series MGAL Gas Carburetor

Years Produced: 1977 to 1978

Size Produced: 1 7/8" throat

Identification Markings: Serial number stamped on body below "S&S Cycle" - "MGAL" cast on body above "S&S Cycle"

Distinguishing Characteristics: Built-in choke mechanism—intermediate jet goes through venturi from top of carb down into main discharge tube. Side mounted float bowl—bowl vent/throttle cable housing boss cast on body above float bowl. Air cleaner mounting pattern same as stock Tillotson, Bendix, Keihin butterfly type carbs.



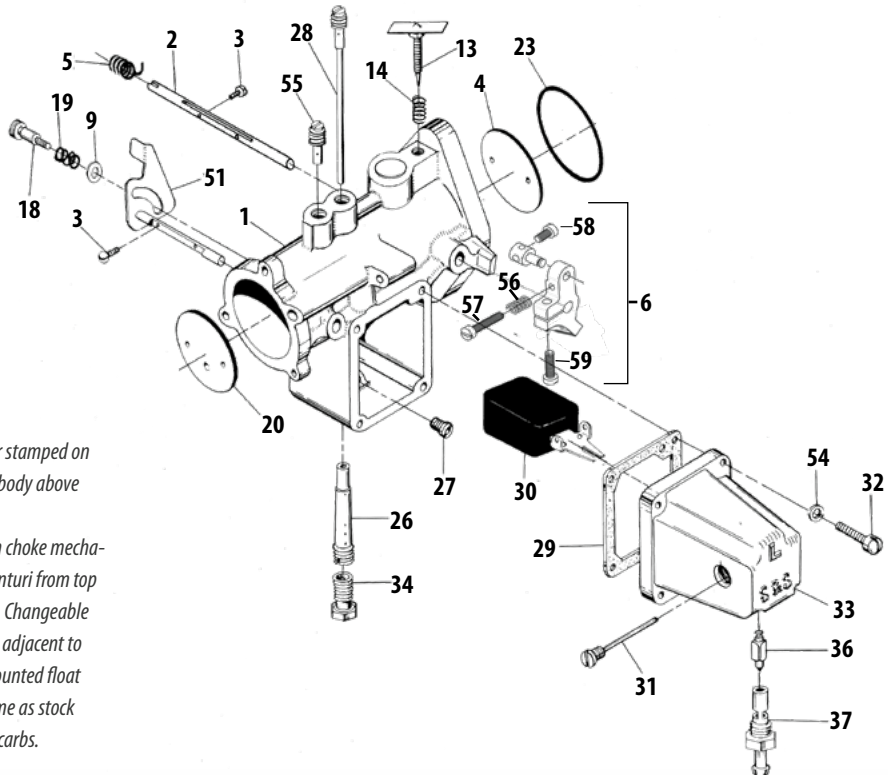
L-Series MGL Gas Carburetor

Years Produced: 1980 to 1981

Size Produced: 1 7/8" throat

Identification Markings: Serial number stamped on body below "S&S Cycle" - "MG" cast on body above "S&S Cycle"

Distinguishing Characteristics: Built-in choke mechanism. Intermediate jet goes through venturi from top of carb down into main discharge tube. Changeable intermediate air bleed screws into boss adjacent to intermediate jet on top of carb. Side mounted float bowl. Air cleaner mounting pattern same as stock Tillotson, Bendix, Keihin butterfly type carbs.





Replacement Parts

1. Carb body assembly - GAL 1 7/8" or GBL 1 3/4"	N/A
2. Throttle shaft (includes 2 ea. #11-2045)	11-2083 \$27.95
3. Choke/throttle plate screw	50-0055-S \$6.95
10 pack	50-0064 \$14.95
4. Throttle plate	
1 7/8" (GAL)	11-2055 \$16.95
1 3/4" (GBL)	11-2023 \$15.95
5. Throttle shaft bushing - for repair only	11-2134 \$10.95
6. Throttle arm assembly, 1 cable, reversible	N/A
7. Intermediate plug	N/A
13. Idle mixture screw	11-2354 \$14.95
5 pack	11-2378 \$60.95
14. Idle mixture screw spring	11-2052 \$4.95
10 pack	11-2060 \$12.95
18. Choke detent screw	N/A
19. Choke detent pin & spring	N/A
20. Choke plate	N/A
23. O-ring - 1 7/8"	50-8013 \$6.95
26. Main discharge tube	N/A
27. Main jet - state size - see page 164	
28. Intermediate jet	N/A
29. Bowl gasket	11-2070 \$8.95
30. Float - forked type or original brass type	N/A
31. Float retaining pin	11-2069 \$16.95
32. Bowl screw - 10-24 x 3/4"	50-0032 \$4.95
33. Carb bowl assembly	
Original type	N/A
Forked type	N/A
34. Bottom plug	N/A
36. Needle - forked type	11-2095 \$40.95
37. Seat - forked/wire type	11-2065 \$17.95
51. Choke shaft assembly	N/A
54. Lock washer - #10	50-7000 \$4.95
55. Spring, Idle/Accelerator Pump, Super B/D/E/G, .032" Wire, .213" x .245" x .506", Stainless Steel	11-2048 \$4.95
10 pack	11-2053 \$12.95
56. Screw, SLTD FH, 8-32 x 7/8", Zinc, Steel	50-0038 \$6.95
10 pack	50-0150 \$13.95
57. Screw, SLTD FH, 8-32 x 5/8", Zinc, Steel	50-0039 \$6.95
10 pack	50-0146 \$9.95
58. Screw, SLTD FH, 8-32 x 5/16", Zinc, Steel	50-0030-S \$4.95

CARBURETOR REBUILD KITS

Body Rebuild Kit

GAL 1 7/8" (includes: #2,3,4,5,23,29,52) 11-2900± \$50.95

Master Rebuild Kit

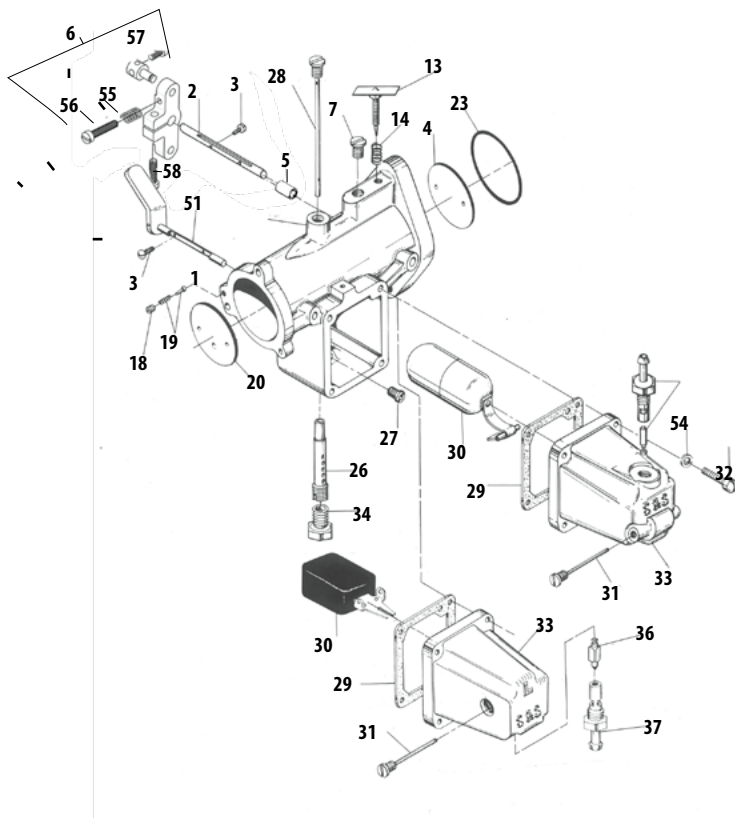
GAL 1 7/8"

(includes #3,4,13,14,23,29,31,32,52,53,54,55,56,57,58) 11-2911± \$61.95

GBL 1 3/4" (includes #3,4,13,14,23,29,31,32,52,53,54,55,56,57,58) 11-2912± \$61.95

N/A = NO LONGER AVAILABLE

N/S = NOT SHOWN



L-Series GAL & GBL Gas Carburetors

Years Produced: 1972 to 1975

Sizes Produced: 1 3/4" and 1 7/8" throats

Identification Markings: serial number stamped on body below "S&S Cycle"- "GAL" means gas type with 1 7/8" throat, late style - "GBL" means gas with 1 3/4" throat, late style

Distinguishing Characteristics: Built-in choke mechanism. Intermediate jet goes through venturi from top of carb down into main discharge tube. Side mounted float bowl. Air cleaner mounting pattern same as stock Tillotson, Bendix, Keihin butterfly type carbs

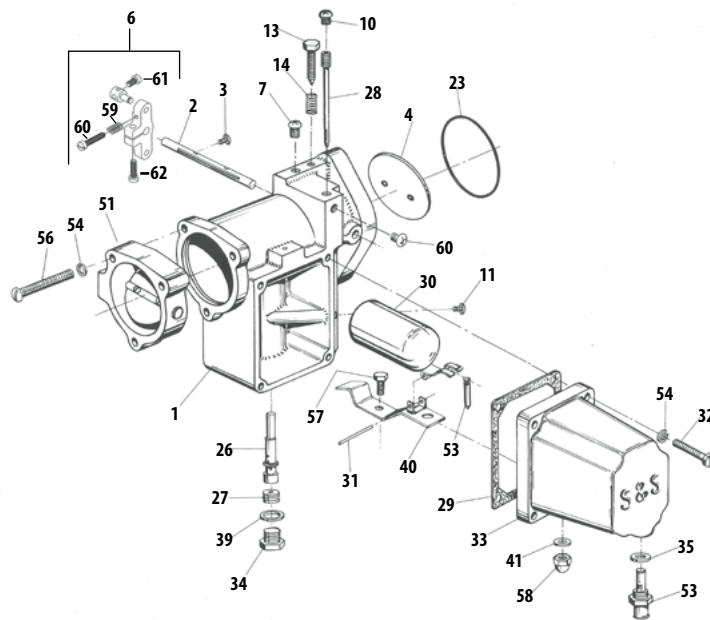
NOTE: When ordering parts, please supply the carb serial number. To order a manifold or air cleaner assembly or any related parts, refer to the Manifold or Air Cleaner sections of this catalog.

± WARNING: Cancer and Reproductive Harm—www.P65Warnings.ca.gov

Order 608-627-1497

S&S Vintage 1936-1999

- 1. Carb body assembly - F, FA 1 7/8", FB 1 3/4" fuel & G, GA 1 7/8", GB 1 3/4" gas **N/A**
- 2. Throttle shaft (includes 2 ea. #11-2045)
 - Gas **11-2083** \$27.95
 - Fuel **11-2184** \$70.95
- 3. Throttle plate screw **50-0055-S** \$6.95
 - 10 pack **50-0064** \$14.95
- 4. Throttle plate
 - 1 3/4" gas & fuel **11-2023** \$15.95
 - 1 7/8" gas **11-2055** \$16.95
- 6. Throttle arm assembly, 1 cable reversible **N/A**
- 7. Intermediate plug **N/A**
- 10. Intermediate jet plug **N/A**
- 11. Intermediate passage plug **N/A**
- 13. Idle mixture screw **11-2354** \$14.95
 - 5 pack **11-2378** \$60.95
- 14. Idle mixture screw spring **11-2052** \$4.95
 - 10 pack **11-2060** \$12.95
- 23. O-ring - 1 3/4" or 1 7/8" **50-8013** \$6.95
- 26. Main discharge tube **N/A**
- 27. Main jet - gas or fuel **N/A**
- 28. Intermediate jet **N/A**
- 29. Bowl gasket **11-2070** \$8.95
- 30. Float **N/A**
- 31. Float pin **N/A**
- 32. Bowl screw - 10-24 x 3/4" **50-0032** \$4.95
- 33. Carb bowl assembly **N/A**
- 34. Bottom plug **N/A**
- 35. Seat o-ring **N/A**
- 39. Fiber washer **N/A**
- 40. Float mounting bracket **N/A**
- 41. Washer - 1/4" **N/A**
- 51. Choke assembly **N/A**
- 52. Throttle shaft bushing - for repair only N/S **11-2134** \$10.95
- 53. Needle & seat assembly
 - Fuel **N/A**
- 54. Lockwasher - #10 **50-7000** \$4.95
- 55. Intermediate air bleed **N/A**
- 56. Air horn/choke mounting screw **N/A**
- 57. Float bracket bolt - 1/4-28 x 1/2" **N/A**
- 58. Nut - 1/4-28 **N/A**
- 59. Spring, Idle/Accelerator Pump, Super B/D/E/G, .032" Wire, .213" x .245" x .506", Stainless Steel **11-2048** \$4.95
 - 10 pack **11-2053** \$12.95
- 60. Screw, SLTD FH, 8-32 x 7/8", Zinc, Steel **50-0038** \$6.95
 - 10 pack **50-0150** \$13.95
- 61. Screw, SLTD FH, 8-32 x 5/8", Zinc, Steel **50-0039** \$6.95
 - 10 pack **50-0146** \$9.95
- 62. Screw, SLTD FH, 8-32 x 5/16", Zinc, Steel **50-0030-S** \$4.95



Early Style Gas & Fuel CarburetorS

Years Produced: Gas 1967 to 1971, Fuel 1967 to 1974

Sized Produced: 1 7/8" and 1 3/4" throats

Identification markings: Serial number stamped on body below "S&S Cycle" - "G" or "GA" means gas type with 1 7/8" throat - "GB" means gas with 1 3/4" throat - "F" or "FA" means fuel with 1 7/8" throat - "FB" means fuel with 1 3/4" throat.

NOTE - Some 1 3/4" carbs were bored out to 1 7/8".

Distinguishing Characteristics: Bolt-on choke assembly, gas type only. Side mounted float bowl. Air cleaner/air horn mounting pattern different from stock.

N/A = NO LONGER AVAILABLE

N/S = NOT SHOWN

NOTE: Some fuel carbs have been converted and are equipped with two float bowls. When ordering parts, please supply the carb serial number. To order a manifold or air cleaner assembly or any related parts, refer to the Manifold or Air Cleaner sections of this catalog.

CARBURETOR REBUILD KITS

Body Rebuild Kit

- G/GA (includes: #3, 4, 23, 29, 52) **11-2900±** \$50.95

± WARNING: Cancer and Reproductive Harm—www.P65Warnings.ca.gov



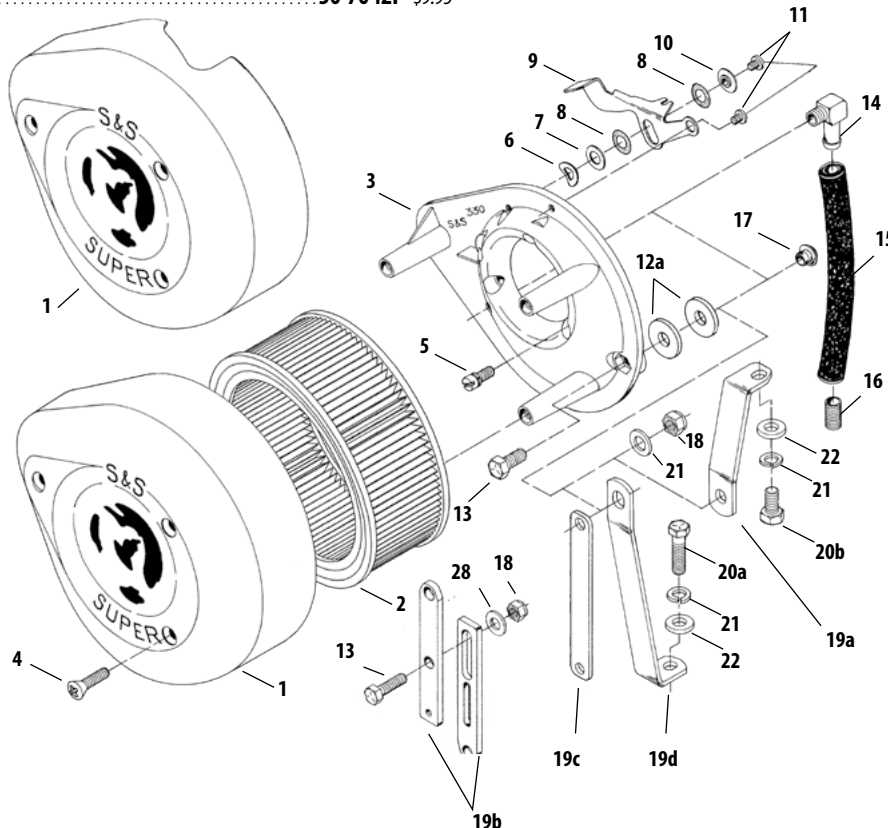
Order 608-627-1497

1. Air cleaner cover—All
(Except shovelhead w/5 gallon tanks & cylinders + .075")
 - Chrome **17-0378**± \$193.95
 - Gloss Black **170-0384A** \$193.95
 - Slasher **17-0004**± \$193.95
 - Shovelhead w/5 gallon tanks & cylinders +.075" **17-0372**± \$193.95
2. Element, pleated **106-4722** \$30.95
3. Backplate
 - BT 1936-'84 **17-0330** \$131.95
4. Cover screw
 - Nickel 1305 (each) **50-0072** \$6.95
 - 3 pack **50-1052** \$8.95
 - 10 pack **50-0094** \$13.95
 - Black 902 (each) **50-0310-S** \$9.95
 - 3 pack **50-0310** \$15.95
 - Chrome (each) **50-0347-S**± \$7.95
5. Backplate screw
 - Zinc Plated (each) **106-2084** \$6.95
 - 10 pack **106-2105** \$12.95
6. Fast idle friction washer (each) **50-7035** \$6.95
- 10 pack **50-7058** \$11.95
7. Fast idle steel washer (each) **50-7037** \$6.95
- 10 pack **50-7061** \$8.95
8. Fast idle nylon washer (each) **50-7036** \$6.95
- 10 pack **50-7060** \$8.95
9. Fast idle lever **USA 1,2,3 17-0329** \$14.95
10. Fast idle brass washer (each) **50-7007**± \$7.95
- 10 pack **50-7010**± \$17.95
11. Fast idle lever screw (one required for current backplate) (each) **50-0041** \$6.95
- 10 Pack **50-0062** \$9.95
12. Shims
 - 5/16" x .125" **50-7042** \$7.95
 - each **50-7042P** \$9.95
 - 2 pack **50-7042P** \$9.95

(Use on BT 1936-'84 when insulator block is installed.)

13. Backplate mounting bolt—BT 1936-'84
 - 5/16"-18 x 1" (each) **50-0108** \$6.95
14. Elbow fitting (each) **50-8110** \$27.95
15. Crankcase breather hose
 - a. BT 1978-'92 **17-0113** \$7.95
16. Vent hose connector **50-8111** \$7.95
17. Backplate plug 1/8"-27 (each) **50-8331A** \$7.95
18. Locknut—5/16"-1
(Use with support bracket - see #19) **50-5021** \$4.95
19. Support bracket
 - a. BT 1966-'82 **17-0392** \$15.95
 - b. BT 1983-'84 (includes #13, 18, 28) **16-0471** \$28.95
 - c. BT 1948-'65 **16-0096** \$13.95
 - d. XL 1957-'85 **17-0393** \$27.95
20. Mounting bracket bolt—big twin
 - a. IH XL 1957-'85—5/16"-18 x 1 1/4" (each) **50-0110** \$4.95
 - b. 1966-'82—5/16"-18 x 5/8" (each) **50-0106** \$6.95
21. Lockwasher—5/16" **50-7032** \$4.95
22. Flatwasher—5/16" x 1/8" **50-7033** \$4.95
23. Wire tie (N/S) **50-8003** \$6.95
24. Hose clamp (N/S) **50-8002** \$7.95
25. Air cleaner assembly
 - Includes:
Chrome cover, backplate, filter element, and hardware kit.)
 - BT 1936-'84/1957-'85 XL **17-0400**± \$326.95
 - BT 1966-'84 with five gallon tanks and cylinders .075" longer than stock **17-0440**± \$326.95
26. Mounting hardware package (N/S)
 - Includes all parts needed to install following style air cleaners:
BT 1936-'84 **17-0441**± \$24.95
27. Spring clamps (N/S) **50-8001** \$4.95
28. Washer, Flat, .344" x .688" x .065", Zinc, Steel 6320, 70907-07, 6016, 6702 **50-7034** \$4.95

(N/S) = Not Shown
N/A= No longer available

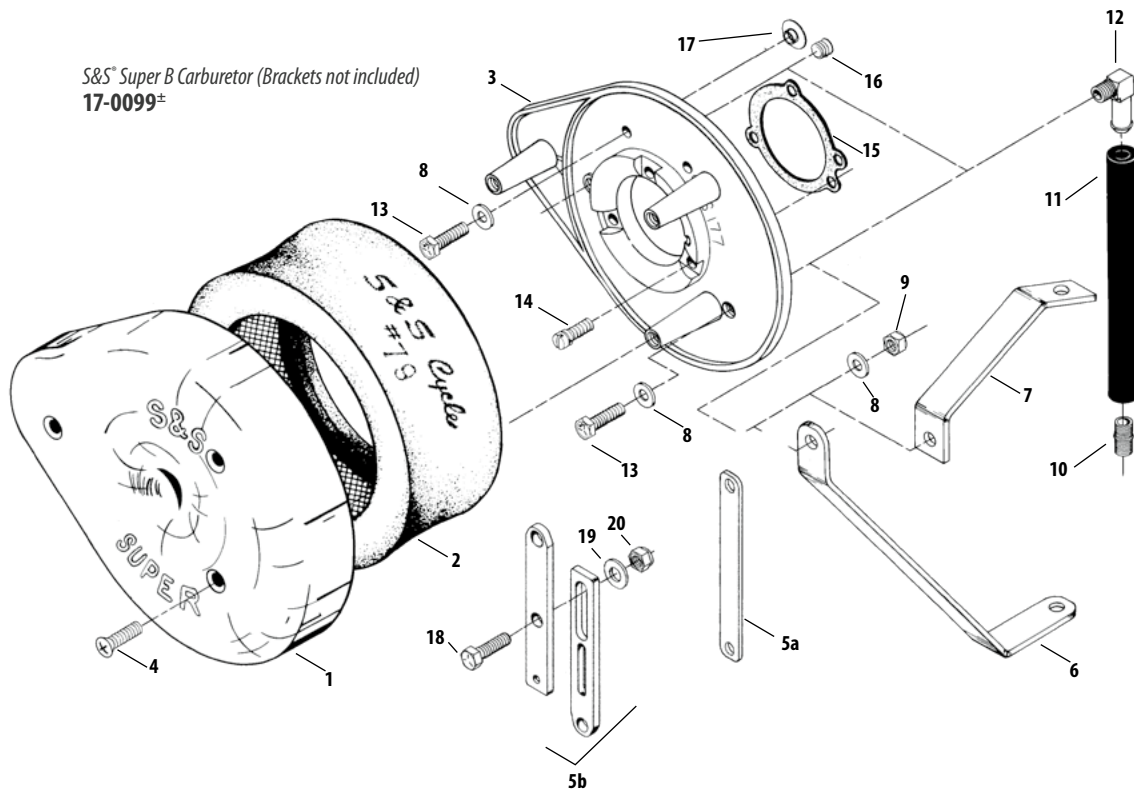


All reference to HD® part numbers is for identification purposes only. We in no way are implying that any of S&S Cycle's products are original equipment parts or that they are equivalent to the corresponding HD® part number shown.

± WARNING: Cancer and Reproductive Harm—www.P65Warnings.ca.gov

S&S Vintage 1936-1999

- | | | | |
|--|------------------|---------|--|
| 1. Air cleaner cover | N/A | - | |
| 2. Air cleaner element | 17-0079 | \$24.95 | |
| 3. Air cleaner backing plate
Super B 1 7/8" | N/A | - | |
| 4. Air cleaner cover screw | | | |
| Chrome 1305 (each) | 50-0072± | \$6.95 | |
| 3 pack | 50-1052± | \$8.95 | |
| 10 pack | 50-0094± | \$13.95 | |
| Black 902 (each) | 50-0310-S | \$9.95 | |
| 3 pack | 50-0310 | \$15.95 | |
| 5. Support bracket | | | |
| a. 1948-'65 panhead | 16-0096 | \$13.95 | |
| b. 1983-'84 shovelhead | 16-0471 | \$28.95 | |
| 6. Air cleaner support bracket
1957-'85 XL | 17-0093 | \$50.95 | |
| 7. Air cleaner support bracket
1966-'82 BT | 17-0092 | \$20.95 | |
| 8. Washer, Flat, .281" x .625" x .080", Zinc 6194, 6245, 6703, 6736, 6228W, 6192
(each) | 50-7021 | \$6.95 | |
| 9. Nut, Lock, HH, 1/4-28 UNC-2B x .328", Zinc (each) | 50-5010 | \$6.95 | |
| 10. Vent hose connector nipple | 50-8111 | \$7.95 | |
| 11. Vent hose - 3/8" I.D. x 6" | 17-0113 | \$7.95 | |
| 12. 90° elbow fitting (each) | 50-8110 | \$27.95 | |
| 13. Support bracket bolt - 1/4"-28 x 7/8" | 50-0074 | \$4.95 | |
| 14. Backplate screw, Zinc Plated (each) | 106-2084 | \$6.95 | |
| 10 pack | 106-2105 | \$12.95 | |
| 15. Air cleaner gasket (each) | 17-0196 | \$7.95 | |
| 5 pack | 17-0197 | \$23.95 | |
| 16. Allen pipe plug - 1/8" -27 each | 50-8331A | \$7.95 | |
| 17. Plastic plug | 50-8313 | \$4.95 | |
| 18. Bolt, Hex Head, Gr5, 5/16-18 x 1", Zinc 3987 | 50-0108 | \$6.95 | |
| 19. Washer, Flat, .344" x .688" x .065", Zinc, Steel
6320, 70907-07, 6016, 6702 | 50-7034 | \$4.95 | |
| 20. Nut, Lock, HH, 5/16-18 UNC-2B x .359", Zinc | 50-5021 | \$4.95 | |



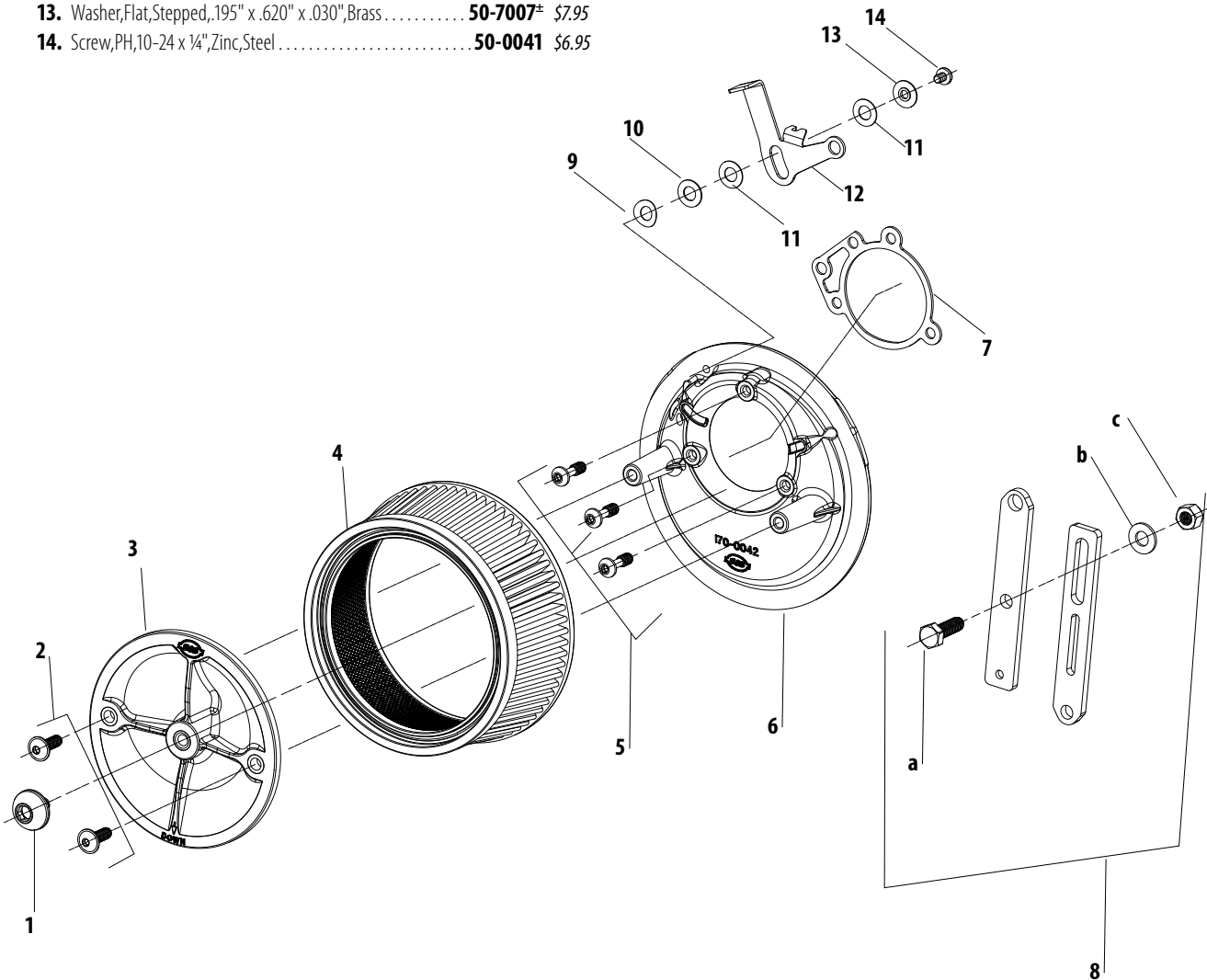
S&S® Super B Carburetor (Brackets not included)
17-0099±

All reference to HD® part numbers is for identification purposes only. We in no way are implying that any of S&S Cycle's products are original equipment parts or that they are equivalent to the corresponding HD® part number shown.

± ⚠️ WARNING: Cancer and Reproductive Harm—www.P65Warnings.ca.gov



- 1. Screw, SHCB, 5/16-18 x .500", Polished, Stainless Steel **170-0508** \$22.95
- 2. Screw, SHC, Flanged Button, 1/4-20 UNC x .750"
(each) 2 required **500-0060** \$7.95
- 3. Plate, Top, Air Filter, Molded, Plastic **170-0026** \$19.95
- 4. Filter, Air, Standard Pleated **170-0126** \$61.95
- 5. Screw, SHCB, 1/4-20 UNC X .825" (each) 3 required **500-0059** \$7.95
- 6. Backplate, Air Cleaner, Super E/G, Powder coated, Black, Die Cast
1936-'92 bt, 1957-'90 xl **170-0179** \$173.95
- 7. Gasket, Backplate, Super E/G, CV Adapter, .0625" **106-1724** \$8.95
- 8. Bracket, Kit, Support, Carb, Case To Manifold, w/ Hardware, 1966-99 bt, 1957-2003
xl (includes 50-0108, 50-5021, & 50-7034) **16-0471** \$28.95
 - a. Bolt, Hex Head, Gr5, 5/16-18 x 1", Zinc **50-0108** \$6.95
 - b. Washer, Flat, .344" x .688" x .065", Zinc, Steel **50-7034** \$4.95
 - c. Nut, Lock, HH, 5/16-18 UNC-2B x .359", Zinc, Steel/Nylon **50-5021** \$4.95
- 9. Washer, Friction, Curved, .329" x .625" x .015", Zinc, Steel **50-7035** \$6.95
- 10. Washer, Flat, .325" x .625" x .032", Zinc, Steel **50-7037** \$6.95
- 11. Washer, Flat, .323" x .625" x .020", Nylon (each) 2 required **50-7036** \$6.95
- 12. Lever, Enrichment, Super E/G, Short, Buell® **17-0327** \$16.95
- 13. Washer, Flat, Stepped, .195" x .620" x .030", Brass **50-7007±** \$7.95
- 14. Screw, PH, 10-24 x 1/4", Zinc, Steel **50-0041** \$6.95



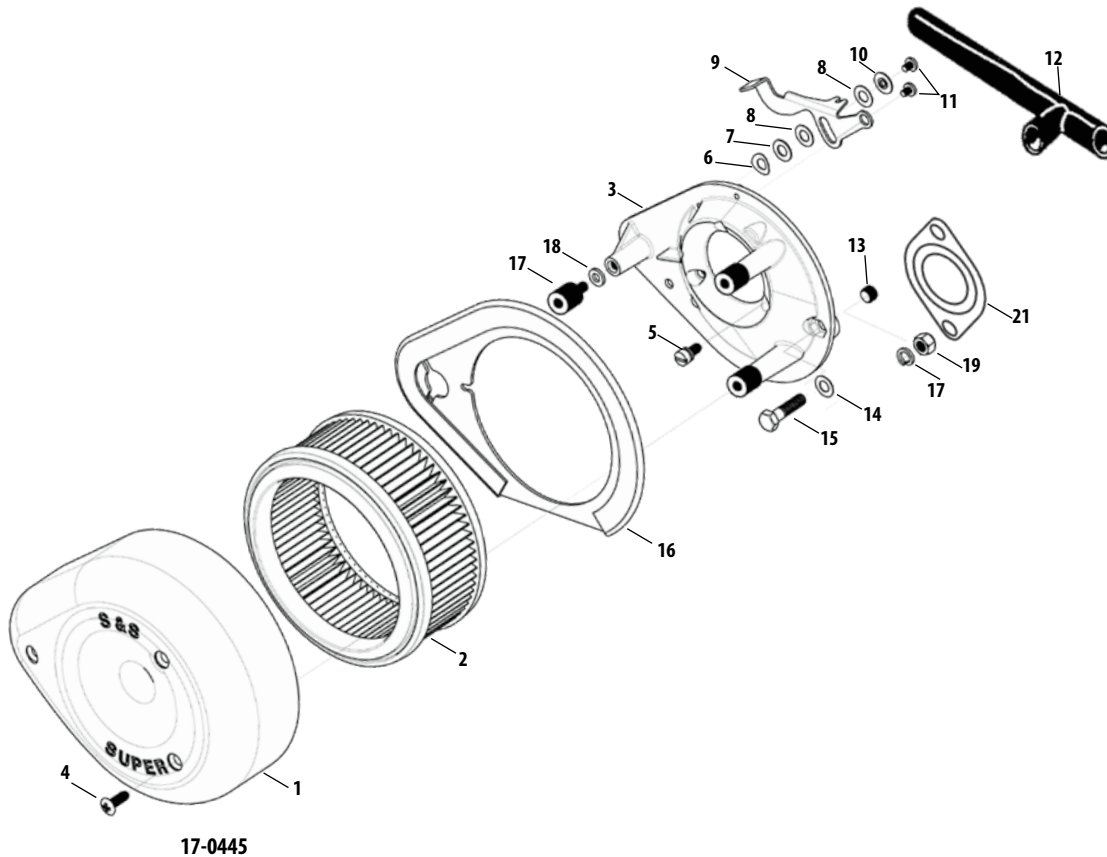
Order 608-627-1497

S&S Vintage 1936-1999

± WARNING: Cancer and Reproductive Harm—www.P65Warnings.ca.gov

- | | | | |
|--|--------------------|----------|--|
| 1. Air cleaner cover | | | |
| Chrome | 17-0378 ± | \$193.95 | |
| 2. Element, pleated carbon–TÜV | N/A | - | |
| 3. Backplate | | | |
| 1955–'84 bt, 1957–'85 IH XL | 17-0330 | \$131.95 | |
| 4. Cover screw | | | |
| Nickel 1305 (each) | 50-0072 | \$6.95 | |
| 3 pack | 50-1052 | \$8.95 | |
| 10 pack | 50-0094 | \$13.95 | |
| Black #902 (each) | 50-0310-S | \$9.95 | |
| 3 pack | 50-0310 | \$15.95 | |
| Chrome (each) | 50-0347-S ± | \$7.95 | |
| 5. Backplate screw | | | |
| Zinc Plated (each) | 106-2084 | \$6.95 | |
| 10 pack | 106-2105 | \$12.95 | |
| 6. Fast idle friction washer (each) | 50-7035 | \$6.95 | |
| 10 pack | 50-7058 | \$11.95 | |
| 7. Fast idle steel washer (each) | 50-7037 | \$6.95 | |
| 10 pack | 50-7061 | \$8.95 | |
| 8. Fast idle nylon washer (each) | 50-7036 | \$6.95 | |
| 10 pack | 50-7060 | \$8.95 | |
| 9. Enrichment lever | 17-0329 | \$14.95 | |
| 10. Fast idle brass washer (each) | 50-7007 ± | \$7.95 | |
| 10 pack | 50-7010 ± | \$17.95 | |
| 11. Fast idle lever screw (each) | 50-0041 | \$6.95 | |
| 10 pack | 50-0062 | \$9.95 | |
| 12. Crankcase breather hose | | | |
| TÜV 1970–'84 | 17-0113 | \$7.95 | |
| 13. Backplate plug 1/8"–27 | | | |
| each | 50-8331A | \$7.95 | |
| 14. Flatwasher–5/16" x 1/16" 6320, 70907-07, 6016, 6702 | 50-7034 | \$4.95 | |
| 15. Mounting bracket bolt 3987– | | | |
| 5/16"–18 x 1" | 50-0108 | \$6.95 | |
| 16. Plate, air cleaner noise reducer | 17-0389 | \$58.95 | |
| 17. Rubber isolator mounts (each) | 50-8510-S | \$14.95 | |
| 18. Shim, spacers, 1/2" OD x 1/4" ID x .080" (each) | 50-7971-S | \$7.95 | |
| 19. Locknut, HH, 5/16"–18 | 50-5021 | \$4.95 | |
| 20. Spring clamps (N/S)* | 50-8001 | \$4.95 | |
| 21. Restrictor Plate | N/A | - | |

(N/S) = Not Shown



All reference to HD® part numbers is for identification purposes only. We in no way are implying that any of S&S Cycle's products are original equipment parts or that they are equivalent to the corresponding HD® part number shown.

± WARNING: Cancer and Reproductive Harm—www.P65Warnings.ca.gov

5-Speed Transmission Case Replacement Parts for 4-Speed Big Twin chassis

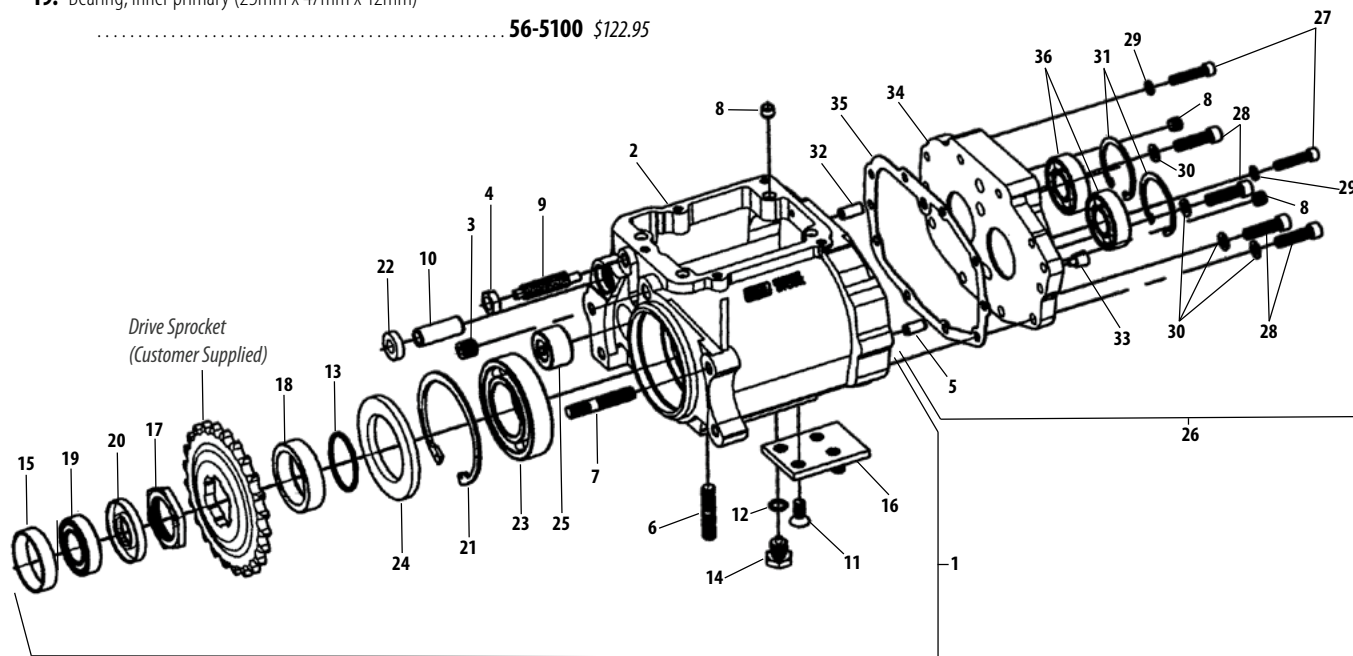


S&S Vintage 1936-1999

Order 608-627-1497

1. Transmission case assembly, 5-speed
1965-'84 4-speed BT N/A
2. Transmission case only, 5-speed rigid mount
for 1965-'84 4-speed BT frame N/A
3. Screw, SH $\frac{1}{2}$ "-20 x $\frac{3}{8}$ " **50-0202** \$11.95
4. Nut, hex - $\frac{7}{16}$ "-14 each **50-5044** \$4.95
5. Pin, dowel - .308" diameter x .70"
375 **50-8029** \$7.95
6. Stud - $\frac{3}{8}$ "-16; $\frac{3}{8}$ "-24 x $1\frac{1}{16}$ " (4) (BT 5-speed) **50-8085** \$11.95
7. Stud - $\frac{3}{8}$ "-16; $\frac{3}{8}$ "-24 x $2\frac{5}{16}$ " (4) (5-speed BT) **50-8086** \$15.95
8. Pin, Roll - $\frac{3}{8}$ " x .300" (4) 609 **50-8173** \$6.95
9. Screw, shifter lever adjustment, 5-speed BT
33119-79B **56-1002** \$40.95
10. Guide, shifter shaft - 5-speed rigid mount,
1986-'99 BT 33114-79 **56-1067** \$12.95
11. Screw, SLTD FH, $\frac{5}{16}$ "-18 x $\frac{3}{4}$ " (4) **50-0300** \$4.95
12. O-ring, $\frac{7}{16}$ " I.D. x $\frac{9}{16}$ " O.D. x $\frac{1}{16}$ " Viton
11105, 11273 each **50-8008** \$6.95
10 pack **50-8078** \$14.95
13. Seal, quad, $1\frac{9}{64}$ " I.D. x $1\frac{1}{8}$ " O.D. x $\frac{1}{16}$ " Buna
11165 **50-8045** \$11.95
14. Plug, $\frac{1}{2}$ "-20, magnetic
..... **50-8335** \$17.95
15. Spacer, mainshaft adapter, 5-speed rigid mount
1965-'84 4-speed BT **56-1068** \$23.95
16. Adapter, transmission mounting stud,
5-speed rigid mount/1965-'84 4-speed BT **56-1069** \$199.95
17. Nut, transmission sprocket **56-3003** \$50.95
18. Spacer, transmission sprocket,
1941-'92 BT **56-3004** \$101.95
19. Bearing, inner primary (25mm x 47mm x 12mm)
..... **56-5100** \$122.95

20. Seal, inner primary - 4-speed BT **56-5101** \$17.95
21. Ring, internal retainer, 3.734" O.D. x .109" Tru-Arc
11161, 11599 **50-8051** \$27.95
22. Seal, oil shifter shaft - 1984-'99 BT
12045 **56-1064** \$10.95
23. Bearing, transmission output shaft, 1984-'99 BT
8996A **56-1280** \$92.95
24. Seal, oil 12067B **56-3033** \$16.95
25. Bearing, transmission countershaft **56-3034** \$40.95
26. Door assembly, transmission access
5-speed rigid mount, 1985-'99 BT **56-1027** \$381.95
27. Capscrew, SH - $\frac{1}{4}$ "-20 x $1\frac{3}{4}$ " (2) 4740A, 3482A **50-0008** \$6.95
28. Capscrew, SH - $\frac{5}{16}$ "-18 x $1\frac{1}{4}$ " (4)
3210A **50-0121** \$4.95
29. Washer, flat - $\frac{1}{4}$ " x $\frac{7}{16}$ " x $\frac{1}{16}$ " (2)
each **50-7017** \$6.95
12 pack **50-7013** \$12.95
30. Washer, flat - $\frac{5}{16}$ " x .545" x .042" (4) **50-7026** \$6.95
31. Ring, internal retainer, 2.072" O.D. x .062" Tru-Arc (2)
35021-89 **50-8053** \$9.95
32. Dowel - $\frac{5}{16}$ " x $\frac{3}{4}$ " 634 (each) **50-8175** \$4.95
33. Plug, magnetic - $\frac{1}{8}$ "-27 739A **50-8334** \$15.95
34. Door, transmission access - 5-speed rigid mount
1985-'99 BT 35258-87C **56-1025** \$285.95
35. Gasket, transmission access door
35652-79B, 35653-98A **56-1026** \$8.95
36. Bearing, transmission access door (2)
8992A, 8998 **56-3026** \$61.95



All reference to HD® part numbers is for identification purposes only. We in no way are implying that any of S&S Cycle's products are original equipment parts or that they are equivalent to the corresponding HD® part number shown.

S&S Vintage 1936-1999



Anti-Rotation Bracket.....	206
Boring Plate Kits	203
Carburetor Jet Kits	208
Champion® Spark Plugs	207
Compression Release Socket Kit.....	203
Connecting Rod Checking Pins	203
Crankcase Oil Passage Drilling Jig	206
Crankpin Nut Clearancing Gauges.....	206
Cylinder Torque Plate Kits.....	204
Dealer Service Kit (Exhaust)	210
Degree Wheel Kit	205
Engine Stands.....	210
Flywheel Balancing Kits.....	202
Inner Primary Bearing Race Installer.....	203
Main Jet Tool	203
Oil Filters	207
Rocker Cover Wrench Set	203
S&S® Oil	207
Tappet Block Alignment Tool	206
Top Dead Center Tool.....	203
Top End Tools.....	203
Touch Up Paint, Lubricant, Sealants.....	210

THE S&S® MASTER FLYWHEEL BALANCING KIT

Description	Part #	MSRP
Designed to allow the average shop to rebalance stock and S&S flywheels accurately and quickly. Whether doing a stock rebuild or a performance upgrade using aftermarket parts, flywheel rebalancing is a desirable step in the engine building process. A complete set of detailed instructions is furnished with each kit. For flywheels with tapered crankpins only.	53-0027	\$2,086.95

REPLACEMENT PARTS

Part #	Description	MSRP
N/A	1. Balance, Triple Beam Platform	-
53-0021	2. Replacement balance weight set, (1-500g 2-1000g)	\$254.95
53-0090	3. Balance shaft, 1936-'71 OHV bt and 1957-'71 xl	\$99.95
53-0092	4. Balance shaft nut (each)	\$21.95
53-0088	5. Balance stand (each)	\$142.95
53-0089	6. Rod support stand (each)	\$82.95
53-0086	7. Taper adapter, 1972-Early '81 bt (each)	\$89.95
53-0087	8. Taper adapter, Late 1981-'85 bt and S&S BL, SE, SL style (each)	\$24.95
53-0093	9. Shaft adapter, 1977-up xl driveside (screws on) (each)	\$152.95
53-0095	10. Shaft adapter, 1977-up xl camside (screws on) (each)	\$142.95
53-0091	11. Shaft adapter, 1955-'99 bt driveside (screws on) (each)	\$144.95
53-0101	12. Shaft adapter, 1958-'92 bt camside (LH, screws on) (each)	\$142.95
53-0102	13. Shaft adapter, 1993-'99 bt camside (RH, screws on) (each)	\$146.95
53-0099	14. Shaft adapter, counterweight (each)	\$132.95
53-0097	15. Collar spacer, 1970-'99 bt (each)	\$40.95
53-0098	16. Collar spacer, 1986-'90 driveside for xl - .280" (each)	\$17.95
53-0085	17. Collar spacer, 1991-up driveside for xl - .860" (each)	\$14.95
53-0094	18. Bob weight assembly, 1000 gram (each)	\$175.95

REPAIR PARTS FOR 53-0094

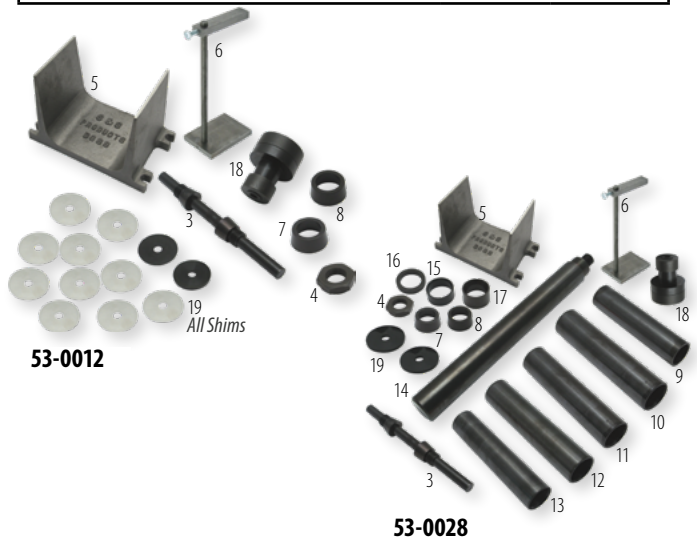
Screw SHC, 1/2"-13 x 3/4"	Each	50-0200	\$6.95
Screw SHC, 1/2"-13 x 1 1/4"	Each	50-0201	\$6.95
19. Shims			
2.7 gram	Each	53-0110	\$9.95
5.4 gram	Each	53-0105	\$10.95
8.1 gram		53-0115	\$7.95
10.8 gram		53-0120	\$8.95
13.4 gram	Each	53-0125	\$6.95
50 gram		53-0150	\$13.95
100 gram 25566-06		53-0100	\$4.95
20. Shim Kit			
Includes: Shims (2 each) 2.7, 5.4, 8.1, 10.8, and 13.4 grams & Shims (1 each) 50 grams and 100 grams		53-0111	\$83.95



53-0027

S&S® FLYWHEEL BALANCE KITS

Master Balance Kit Without Balance Scale		
Includes all parts in #53-0027, except balance & platform scales	53-0028	\$1,304.95
Triple Beam Platform Balance Scale		
(2610 grams\maximum) without weights	53-0011	\$622.95
Flywheel Balance Kit For 5-Piece Cranks		
For 5-Piece Crank	53-0012	\$688.95
Includes:		
3. Balance shaft	53-0090	\$99.95
4. Balance shaft nut	53-0092	\$21.95
5. Balance stand	53-0088	\$142.95
6. Rod support stand	53-0089	\$82.95
7. Taper adapter	53-0086	\$89.95
8. Taper adapter	53-0087	\$24.95
18. Bob weight 1000 gram	53-0094	\$175.95
19. Shims		



53-0012

53-0028

NOTE: These balancing kits will not work with Harley-Davidson® Twin Cam 88® engines, 2000-up Sportster models, or any flywheel assemblies which use pressed-in crankpins.

Order 608-627-1497

S&S Vintage 1936-1999

- Primary inner bearing race installation tool, with a roller thrust bearing that decreases the effort required to install a bearing race by 30%
- Attachment for the S&S Clutch Puller that allows easy removal of the primary inner bearing race
- All of these S&S tools are CNC machined from the finest 4140 tool steel and heat treated for maximum reliability and service life.



INNER PRIMARY BEARING RACE INSTALLER 56-5145

56-5145	\$292.95
----------------	-----------------

Top Dead Center Tool

- Easy to find the exact top dead center of any engine
- The best way to calibrate your degree wheel when dialing in cams or performing any number of checks and modifications based on the position of the crankshaft
- Available for engines with 14mm or 12mm spark plug holes



S&S® TOP DEAD CENTER TOOL

Description	Part #	MSRP
14mm	53-0321	\$61.95
12mm	53-0322	\$61.95

S&S ROCKER COVER WRENCH SET

Helpful in areas where the motorcycle frame may prevent the use of conventional tools	53-0040	\$154.95
---	----------------	----------

CONNECTING ROD CHECKING PINS

These pins are used to check alignment of connecting rods and wristpin bushings with crankcase cylinder decks

.927"	53-0004	\$71.95
-------	----------------	---------

S&S COMPRESSION RELEASE SOCKET KIT

Allows in-frame installation of S&S compression releases and protects wiring from damage during installation	53-0045	\$178.95
--	----------------	----------

MAIN JET TOOL

For changing main jets in all S&S carburetors using #72 series jets	53-0452	\$27.95
---	----------------	---------

NOTE: Rocker covers must be removed when installing S&S compression releases. If lack of frame clearance prevents removal of rocker covers, engine must be removed from frame for compression release installation.

Boring Plate Kits For Cylinder Heads And Crankcase

- Designed to simplify and reduce the time required to prepare crankcases and cylinder heads for S&S® Sidewinder® big bore kit installations
- Machined cast iron with precision ground working surfaces

BORING PLATE KIT FOR 1936–'99 BIG TWIN AND 1986–'03 SPORTSTER® MODELS

Description	Part #	MSRP
This boring plate kit has panhead and shovelhead head bolt patterns in one end. The other end is machined with the cylinder base patterns of 1936–'99 big twin engines, and 1986–'03 Harley-Davidson® Sportster models. Spacers are available for Evolution® engines which allow the cases to be bored without removing the cylinder studs (see below). Spacers are not included in this kit.		
Kit	53-0006	\$550.95
Screw, 7/16" -20 x 1 1/4" Sockethead Cap	50-0172	\$7.95

SPACERS FOR EVOLUTION CRANKCASES

Spacer part #53-0007 is required for 1986–'03 Sportster models. Spacers part #53-0007 and #53-0008 are both required for 1984–'99 big twin engines.

3 1/16" tall	53-0007	\$173.95
7/8" tall	53-0008	\$53.95

BORING PLATE KIT FOR CRANKCASES & CYLINDERS FOR TWIN CAM 88® ENGINES

This boring plate kit is designed for boring stock crankcases of Harley-Davidson® Twin Cam 88® engines to accept S&S Super Sidewinder® 4" and 4 1/8" bore cylinders with stock cylinder stud pattern. A spacer is included with the kit which allows the cases to be bored without removing the cylinder studs.

Kit	53-0035	\$622.95
Boring plate	53-0036	\$329.95
Spacer, 3 3/4" tall	53-0037	\$398.95



1984–1999 Evolution®
1936–1984 Vintage Engines
Tools & Shop Supplies
Warranty & Company Policy
Appendix



FITMENT

- S&S 4 1/8" bore
- 4" bore 1999-up big twin
- 3 5/8" 1984-'99 big twin
- Harley-Davidson® Sportster® models in 3 5/8" and 4" bore
- S&S X-Wedge® 4 1/8" bore and 4 1/4" bore*

FEATURES AND BENEFITS

- S&S torque plates can be used in conjunction with an S&S boring fixture and a conventional boring bar, and they can be readily adapted to a Sunnen® type honing machine.

KIT CONTENTS

- Head end plate
- Base end plate
- Four long grade 8 socket head cap screws (holds the assembly together and supplies the pressure)
- Stop arm (keeps the cylinder and plates from turning while honing)

*These torque plates are required to bore or hone X-Wedge cylinders. They have the X-Wedge five bolt pattern and are available for 4 1/8" bore and 4 1/4" bore cylinders.

CYLINDER TORQUE PLATE REPLACEMENT PARTS

(See chart for specific part numbers.)

1. Base end torque plate
2. Head end torque plate
3. Stop arm
4. Torque bolts
5. Vise tab
6. Tab bolt



Order 608-627-1497

S&S® CYLINDER TORQUE PLATE KITS AND REPLACEMENT PARTS

Bore Size	Case Bolt Pattern	Kit Part #	Head End Plate	Base End Plate	Stop Arm	Bolt 3/8"-24 x 6"	Bolt 7/16"-20 x 6"	Bolt 7/16"-20 x 7"	Bolt M10 x 1.5MM x 160MM	Vise Tab	Tab Bolt 5/16"-18 x 1"
4.25	2017-up M8	530-0038	530-0039	530-0044	53-0014	-	-	50-0192	-	53-0034	50-0108
4 1/8" - 4 1/4"	S&S® X-Wedge®	-	106-0837	106-0835	53-0014	106-0840	-	-	-	53-0034	50-0108
4 3/8" - 4 7/16"	S&S 4 3/8" Pattern	53-0055	53-0056	53-0057	53-0014	-	-	50-0192	-	53-0034	50-0108
4 1/8"	Stock 1999-up big twin	53-0054	106-3190	530-0060	53-0014	-	-	-	500-1053	53-0034	50-0108
4 1/8"	S&S 4 1/8" Pattern	53-0051	53-0052	53-0053	53-0014	-	50-0191	-	-	53-0034	50-0108
3.927" - 4"	Stock 1999-up big twin	-	-	53-0050	53-0014	-	-	50-0192	-	53-0034	50-0108
4"	S&S 4" Pattern	-	-	-	53-0014	-	50-0191	50-0192	-	53-0034	50-0108
3 5/8"	1984-'99 big twin	53-0016	53-0017	53-0018	53-0014	-	-	50-0192	-	53-0034	50-0108
3 5/8"	1984-'03 Sportster®	53-0016	53-0017	53-0018	53-0014	-	-	50-0192	-	53-0034	50-0108

S&S Cylinder torque plate kits are intended for aluminum cylinders including 1984-'99 Harley-Davidson® Evolution® big twin engines, 1986-'03 Sportster models, and 1999-up Twin Cam 88® engines.

S&S® CYLINDER TORQUE PLATE KITS

Bore Size	Case Bolt Pattern	Part #	MSRP
4.25	2017-up M8	530-0038	\$1,174.95
4 3/8" - 4 7/16"	S&S 4 3/8" Pattern	53-0055	\$762.95
4 1/8"	Stock 1999-up big twin	53-0054	\$754.95
4 1/8"	S&S 4 1/8" Pattern	53-0051	\$887.95
3 5/8"	1984-'99 big twin	53-0016	\$887.95
3 5/8"	1984-'03 Sportster®	53-0016	\$887.95

S&S Cylinder torque plate kits are intended for aluminum cylinders including 1984-'99 Harley-Davidson® Evolution® big twin engines, 1986-'03 Sportster models, and 1999-up big twin engines.

S&S Vintage 1936-1999



HEAD END PLATE			
Bore Size	Case Bolt Pattern	Part #	MSRP
4.25"	2017-up M8	530-0039	
4¼"	S&S® X-Wedge®	106-0837	\$276.95
4¾"	S&S 4¾" Pattern	53-0056	\$377.95
4½"	Stock 1999-up big twin	106-3190	\$356.95
4½"	S&S 4½" Pattern	53-0052	\$438.95
3½"	1984-'99 big twin	53-0017	\$377.95
3½"	1984-'03 Sportster®	53-0017	\$377.95

BASE END PLATE			
Bore Size	Case Bolt Pattern	Part #	MSRP
4.25"	2017-up M8	530-0044	\$418.95
4¼"	S&S® X-Wedge®	106-0835	\$276.95
4¾"	S&S 4¾" Pattern	53-0057	\$377.95
4½"	Stock 1999-up big twin	530-0060	\$377.95
4½"	S&S 4½" Pattern	53-0053	\$377.95
4"	Stock 1999-up big twin	53-0050	\$373.95
3½"	1984-'99 big twin	53-0018	\$377.95
3½"	1984-'03 Sportster®	53-0018	\$377.95

STOP ARM			
Bore Size	Case Bolt Pattern	Part #	MSRP
All	All	53-0014	\$61.95

BOLT 3/8"-24 X 6"			
Bore Size	Bore Size	Part #	MSRP
4¼"	S&S® X-Wedge®	106-0840	\$61.95

BOLT 7/16"-20 X 6"				
Bore Size	Case Bolt Pattern		Part #	MSRP
4½"	S&S® 4½" Pattern	Each	50-0191	\$21.95
		4 pack	50-0191P	\$81.95
4"	S&S 4" Pattern	Each	50-0191	\$21.95
		4 pack	50-0191P	\$81.95

BOLT 7/16"-20 X 7"				
Bore Size	Case Bolt Pattern		Part #	MSRP
4.25"	2017-up M8	Each	50-0192	\$61.95
		4 pack	50-0192P	\$214.95
4¾"	S&S 4¾" Pattern	Each	50-0192	\$61.95
		4 pack	50-0192P	\$214.95
4"	Stock 1999-up big twin	Each	50-0192	\$61.95
		4 pack	50-0192P	\$214.95
4"	S&S 4" Pattern	Each	50-0192	\$61.95
		4 pack	50-0192P	\$214.95
3½"	1984-'99 big twin	Each	50-0192	\$61.95
		4 pack	50-0192P	\$214.95
3½"	1984-'03 Sportster®	Each	50-0192	\$61.95
		4 pack	50-0192P	\$214.95

BOLT M10 X 1.5MM X 160MM				
Bore Size	Case Bolt Pattern		Part #	MSRP
4½"	Stock 1999-up big twin	Each	500-1053	\$11.95
		4 pack	500-1052	\$40.95

VISE TAB				
Bore Size	Case Bolt Pattern		Part #	MSRP
All	All		53-0034	\$40.95

TAB BOLT 5/16"-18 X 1"				
Bore	Case Bolt Pattern		Part #	MSRP
All	All 3987	Each	50-0108	\$6.95

Degree Wheel Kit

- Multipurpose S&S® degree wheel can be used to do ignition timing, crankcase breather timing, cam degreing, or you name it
- Designed to fit the sprocket shaft of any big twin or Harley-Davidson® Sportster® model simply by using the correct adapter provided
- Each kit also comes with a pointer which is held in place with the center crankcase bolt



S&S DEGREE WHEEL KIT		
Description	Part #	MSRP
Kit	53-0020	\$152.95
Adapter for Sportster® models (1 Each)	53-0023	\$23.95
Adapter for big twin (1 Each)	53-0024	\$20.95
Pointer (1 Each)	53-0025	\$12.95
Degree wheel and main adapter assembly (1 Each)	53-0026	\$91.95

- Designed to simplify and eliminate clearancing problems that may arise when installing stroker flywheels in stock big twin crankcases
- By painting the bosses to be clearanced and then placing the appropriate gauge on the main bearing race, the crankcases can be marked with a scribe in the proper hole for the stroke and style connecting rod crankpin nuts to be used—**quickly and precisely.**

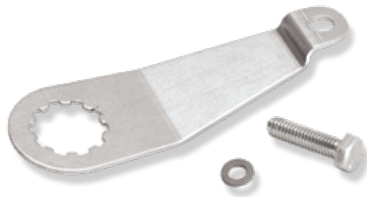


S&S® CRANKPIN NUT CLEARANCING GAUGES

Description	Part #	MSRP
1958–'99 Big Twin Gauge	53-0005	\$40.95

Anti-Rotation Bracket

This handy bracket slides over the sprocket shaft splines of big twin engines and bolts to one of the primary bolt holes of the crankcase to keep the crank from rotating. It's like an extra set of hands while installing pistons and cylinders.



50-9870

Fitment	Part #	MSRP
1970–2006 Big Twin (except '06 Dyna®)	50-9870	\$19.95
2007–up Big Twin, 2006 Dyna®	530-0018	\$27.95

Crankcase Oil Passage Drilling Jig

DRILL JIG IS USED TO DRILL...

- Primary chain oil supply passage from the breather valve gear cavity to the back side of the oil pump body on late generator and early alternator crankcases.
- Pressure relief passage from behind the main oil pressure valve to the gear cavity on alternator crankcases.
- Crankshaft and main bearings supply passage on generator crankcases.
- Crankshaft and main bearings supply passage on early alternator crankcases.



S&S CRANKCASE OIL PASSAGE DRILLING JIG

Description	Part #	MSRP
The S&S crankcase oil passage drilling jig is used to perform crankcase drilling modifications when installing an S&S oil pump assembly on early big twin crankcases. Made of hardened steel for durability, this fixture enables the builder to do four modifications.	53-0013	\$70.95

Tappet Block Alignment Tool

- Aligns tappet block so the tappet rollers run straight on the cam lobe to prevent camshaft wear



S&S® TAPPET BLOCK ALIGNMENT TOOL

Description	Part #	MSRP
Tool, Tappet Guide, Alignment	530-0014	\$41.95

Order 608-627-1497

S&S Vintage 1936–1999



FEATURES AND BENEFITS

- Ultimate protection
- Superior lubrication for reduced engine wear and lower oil temperatures
- Provides consistent viscosity, and resists thermal breakdown and oxidation at elevated temperatures
- Includes a oil drain plug oring for convenience

S&S® OIL		
Description	Part #	MSRP
20W50 Synthetic, 1 quart	3601-0407	\$19.95
20W50 Synthetic, 2.5 Gallon	3601-0408	\$183.95
Primary, Synthetic, 1 quart	3603-0044	\$19.95
80W140 Gear, Synthetic, 1 quart	3604-0007	\$19.95
Chain/Gear, Synthetic, 1 quart	3604-0008	\$25.95



1984–1999 Evolution® 1936–1984 Vintage Engines

Tools & Shop Supplies

Warranty & Company Policy

Appendix

S&S® OIL CHANGE KIT—EVERYTHING YOU NEED FOR A COMPLETE OIL CHANGE!

Description	Part #	MSRP
Harley-Davidson® big twin & Sportster® Models with Evolution® engines (using OEM filter #63796-77A, 63806-83, 63805-80A) 4 quarts of SAE 20W-50 Synthetic Engine Oil with chrome oil filter	3601-0412	\$120.95
Harley-Davidson® Twin Cam 88®/96™/103™/110™ engines (using OEM filter #63798-99, 63731-99A) 4 quarts of SAE 20W-50 Synthetic Engine Oil with chrome oil filter	3601-0413	\$120.95
2017–2019 Harley-Davidson® Models with Milwaukee-Eight® engine 5 quarts of SAE 20W-50 Synthetic Engine Oil with chrome oil filter	3601-0492	\$140.95

Oil Filters

FEATURES AND BENEFITS

- Captures smaller particles than stock filters
- Low restriction to oil flow
- Direct bypass—bypass oil does not pass over dirty filter media
- Smaller diameter for easier installation
- Black or chrome finish



S&S® OIL FILTERS

Year Application	Micron Rating	QTY	Chrome	MSRP	Black	MSRP
1984–'99 Evolution®, 1986–'17 XL and 1991–'02 Buell®	30µ	each	31-4102A 63796-77A	\$23.95	31-4101A 63805-80A	\$20.95
		12 pack	310-0240	\$288.95	310-0239	\$183.95
1999–'17* Twin Cam 88®/96™/103™ and all X-Wedge®	10µ	each	31-4104A 63798-99A	\$23.95	31-4103A 63731-99A	\$20.95
		12 pack	310-0242	\$288.95	310-0241	\$183.95

*Contains an anti-drain back valve

Champion® Spark Plugs



CHAMPION® SPARK PLUGS

Application	Size	QTY	Part #	MSRP
Twin Cam 88®/96™/103™, Sportster®, X-Wedge® & S&S 4½" bore engines	12mm Long Reach Champion® #RA8HC	each	55-1320 32317-86A, 32362-04	\$12.95
		2 pack	55-1322 32317-86A, 32362-04	\$19.95
Evolution®, Vintage Models (SH-Series, Iron XL, KN-Series, P-Series) & S&S 3¾" & 4" bore engines	14mm Long Reach Champion® #RN12YC	each	55-1321 32342-04, 32311-83	\$11.95
		2 pack	55-1323 32342-04, 32311-83	\$15.95

For S&S Super E & G Carburetors

For those who need to rejet their carburetor because of engine modifications, exhaust modifications, or changes in altitude, we have extra jet kits available which are designed to cover most jetting situations.

DEALER JET KITS		
Description	Part #	MSRP
S&S Jet Kit (Includes 3 each of all intermediate jets and 5 each of all main jets, plus a main jet tool)	11-3102	\$418.95

WARNING: Cancer and Reproductive Harm – www.P65Warnings.ca.gov



JET PACKS		
Description	Part #	MSRP
Low Range Jet Pack — For jetting most stock and moderate performance engines		
Includes one each intermediate jets (.025", .0265", .028", .0295") one each main jets (.062", .064", .066", .068", .070", .072", .074").	11-7270	\$71.95
High Range Jet Pack — For jetting some stock and all performance engines		
Includes one each intermediate jets (.0295", .031", .032", .033") and one each main jets (.072", .074", .076", .078", .080", .082", .084").	11-7271	\$71.95
Master Jet Pack — For jetting all Super B, E, and G equipped engines		
Includes one each intermediate jets (.025", .0265", .028", .0295", .031", .032", .033") and one each main jets (.062", .064", .066", .068", .070", .072", .074", .076", .078", .080", .082", .084").	11-7272	\$112.95

WARNING: Cancer and Reproductive Harm – www.P65Warnings.ca.gov



11-7272

INTERMEDIATE JETS — SERIES #94 INDIVIDUAL SELECTION

Size	QTY	Part #	MSRP	Size	QTY	Part #	MSRP
.025	each	11-0250	\$15.95	.032	each	11-0320	\$15.95
	3 pack	11-7107	\$40.95		3 pack	11-7112	\$40.95
.0265	each	11-0265	\$15.95	.033	each	11-0330	\$15.95
	3 pack	11-7108	\$40.95		3 pack	11-7113	\$40.95
.028	each	11-0280	\$15.95	.036	each	11-0360	\$15.95
	3 pack	11-7109	\$40.95		3 pack	11-7114	\$40.95
.0295	each	11-0295	\$15.95	.040	each	11-0400	\$15.95
	3 pack	11-7110	\$40.95		3 pack	11-7115	\$40.95
.031	each	11-0310	\$15.95	Blank	each	11-0000	\$11.95
	3 pack	11-7111	\$40.95				

WARNING: Cancer and Reproductive Harm – www.P65Warnings.ca.gov



106-3517

Early Series #94 gas jets were stamped with single digit numbers. Conversions for these numbers are:

- | | | | |
|--------|-------|--------|-------|
| 1..... | .025" | 4..... | .033" |
| 2..... | .028" | 5..... | .036" |
| 3..... | .031" | 6..... | .040" |

NOTE: No returns or exchanges on jets.

Order 608-627-1497

S&S Vintage 1936-1999



MAIN JETS — SERIES #72 INDIVIDUAL SIZE SELECTION [±]							
Size	QTY	Part #	MSRP	Size	QTY	Part #	MSRP
.040	each	11-4040	\$14.95	.078	each	11-4078	\$14.95
	5 pack	11-7220	\$50.95		5 pack	11-7239	\$50.95
.042	each	11-4042	\$14.95	.080	each	11-4080	\$14.95
	5 pack	11-7221	\$50.95		5 pack	11-7240	\$50.95
.044	each	11-4044	\$14.95	.082	each	11-4082	\$14.95
	5 pack	11-7222	\$50.95		5 pack	11-7241	\$50.95
.046	each	11-4046	\$13.95	.084	each	11-4084	\$14.95
	5 pack	11-7223	\$50.95		5 pack	11-7242	\$50.95
.048	each	11-4048	\$14.95	.086	each	11-4086	\$14.95
	5 pack	11-7224	\$50.95		5 pack	11-7243	\$50.95
.050	each	11-4050	\$14.95	.088	each	11-4088	\$14.95
	5 pack	11-7225	\$50.95		5 pack	11-7244	\$50.95
.052	each	11-4052	\$14.95	.090	each	11-4090	\$13.95
	5 pack	11-7226	\$50.95		5 pack	11-7245	\$49.95
.054	each	11-4054	\$14.95	.092	each	11-4092	\$15.95
	5 pack	11-7227	\$50.95		5 pack	11-7246	\$50.95
.056	each	11-4056	\$14.95	.094	each	11-4094	\$15.95
	5 pack	11-7228	\$50.95		5 pack	11-7247	\$50.95
.058	each	11-4058	\$14.95	.096	each	11-4096	\$14.95
	5 pack	11-7229	\$50.95		5 pack	11-7248	\$50.95
.060	each	11-4060	\$14.95	.098	each	11-4098	\$14.95
	5 pack	11-7230	\$50.95		5 pack	11-7249	\$50.95
.062	each	11-4062	\$14.95	.100	each	11-4100	\$14.95
	5 pack	11-7231	\$50.95		5 pack	11-7250	\$50.95
.064	each	11-4064	\$14.95	.102	each	11-4102	\$14.95
	5 pack	11-7232	\$50.95		5 pack	11-7251	\$50.95
.066	each	11-4066	\$14.95	.104	each	11-4104	\$14.95
	5 pack	11-7233	\$50.95		5 pack	11-7252	\$50.95
.068	each	11-4068	\$14.95	.106	each	11-4106	\$14.95
	5 pack	11-7234	\$50.95				
.070	each	11-4070	\$14.95	.110	each	11-4110	\$15.95
	5 pack	11-7235	\$50.95		5 pack	11-7255	\$50.95
.072	each	11-4072	\$14.95	.115	each	11-4115	\$14.95
	5 pack	11-7236	\$50.95		5 pack	11-7256	\$50.95
.074	each	11-4074	\$14.95	.120	each	11-4120	\$14.95
	5 pack	11-7237	\$50.95		5 pack	11-7257	\$50.95
.076	each	11-4076	\$14.95	⚠️ WARNING: Cancer and Reproductive Harm — www.P65Warnings.ca.gov			
	5 pack	11-7238	\$50.95				

MAIN JET AIR BLEED KIT (ONE JET EACH SIZE)	
Sizes	Part #
.042" — .060"	106-3517
.084" — .120"	106-3518

⚠️ WARNING: Cancer and Reproductive Harm — www.P65Warnings.ca.gov

S&S® CARBURETOR REBUILD KITS

To insure that you continue to get the utmost in performance from your S&S carburetor, we have put together a series of rebuild kits that are designed to provide the proper parts to return a worn carburetor to top shape. We have assembled different types of kits to cover the different degrees of rebuild necessary.

MASTER REBUILD KITS

Master rebuild kits contain a body rebuild kit, accelerator pump rebuild kit (Super E and G only), all new fasteners, springs, idle mixture screw, seat, and needle assembly. Everything needed to completely rebuild one carburetor.

MASTER REBUILD KIT		
Description	Part #	MSRP
Super E	11-2923	\$112.95
Super G	11-2924	\$112.95

⚠️ WARNING: Cancer and Reproductive Harm — www.P65Warnings.ca.gov

BODY REBUILD KITS

Body rebuild kits for Super E and G carbs also contain throttle shaft nuts, nylon washers, accelerator pump o-ring, and accelerator pump boot. Body rebuild kits for Super E and G carbs do not contain throttle shaft bushings since these carbs have stainless steel throttle shaft bushings already installed.

BODY REBUILD KIT [±]		
Description	Part #	MSRP
Super E	11-2906	\$61.95
Super G	11-2907	\$61.95



⚠️ WARNING: Cancer and Reproductive Harm — www.P65Warnings.ca.gov

Basic Rebuild Kit

A gasket and seal kit for low mileage super E & G Carbs. Perfect to reassemble carbs taken apart for inspection and cleaning

BASIC REBUILD KIT		
Description	Part #	MSRP
Super E & G	110-0067	\$50.95



⚠️ WARNING: Cancer and Reproductive Harm — www.P65Warnings.ca.gov

ACCELERATOR PUMP REBUILD KITS

Accelerator pump rebuild kits contain diaphragm, diaphragm spring, check balls, check ball spring, pump pushrod, and required hardware and o-rings.

ACCELERATOR PUMP REBUILD KIT		
Description	Part #	MSRP
Super E & G	11-2918	\$28.95



Fuel Line Kits

Fuel Line Kit For Super E And G Carburetors P/N 190-0005[±]

FUEL LINE KIT		
Description	Part #	MSRP
Fuel Line, Kit, Carb, Super E/G, Swivel Retrofit	190-0005 [±]	\$50.95
Fuel Line, .311" x .563" x 17.5", SAE 30R14 (replacement fuel line only)	190-0001	\$13.95

⚠️ WARNING: Cancer and Reproductive Harm — www.P65Warnings.ca.gov



106-3023



51-9000



51-9002



500-0143

TOUCH UP PAINT

Description	Part #	MSRP
S&S touch up paint is included with each powdercoated S&S engine, but it's handy to have a spare! Keep one in the shop and one in your saddle bag. Sold in ½ oz. bottles with applicator cap.		
Guardian Black ½ oz	500-1462	\$14.95
Wrinkle Black ½ oz, matte finish (used after April 2009)*	510-0053	\$14.95
Silver ½ oz	106-3023	\$17.95
Stone Gray ½ oz	510-0350	\$17.95

*NOTE: Wrinkle Black (51-9001) has a slightly glossy finish. Wrinkle Black (510-0053) has a matte finish with no gloss.

LUBRICANT AND SEALANTS

Use what the pros use! S&S assembles a lot of engines and customers often ask what sealants and lubricants we use. We recommend and use the following:

Torco® Engine Assembly Lube

Protect engine components during assembly and initial start up!

4 oz. Bottle	51-9000	\$21.95
1 oz. Tube	51-9002	\$15.95

ThreeBond® Liquid Gasket 1194

Great for sealing crankcases! 3.5 oz. (100g) Tube	500-0143	\$41.95
--	-----------------	---------

Engine Stands

- An economical way to hold an engine on the work bench, for shipping, or for display
- Constructed of heavy gauge stamped steel with "S&S" laser cut in both ends
- Durable blue powder coat finish gives the stands a professional appearance that is suitable for display and protects them from corrosion and minor abrasions
- Exclusively for M8:
 - Designed to fit both touring and Softail® models, in one!
 - Unique "drop-in" design allows for safe and easy mounting

S&S® ENGINE STANDS

Application	Part #	MSRP
M8 touring & 2018-2020 Softail® models	530-0068	\$122.95
2000-'17 balanced big twin	53-0145	\$122.95
1999-'17 unbalanced big twin	53-0143	\$123.95
1936-'99 big twin	53-0141	\$123.95
S&S X-Wedge®	53-0147	\$110.95



Dealer Service Kit for Street Legal Exhaust



DEALER SERVICE KIT **510-0684** \$34.97

(Includes S&S proprietary tamper-proof bit (**available only to dealers**) and spare fasteners. Provides everything necessary to perform any required service or end cap replacement.)

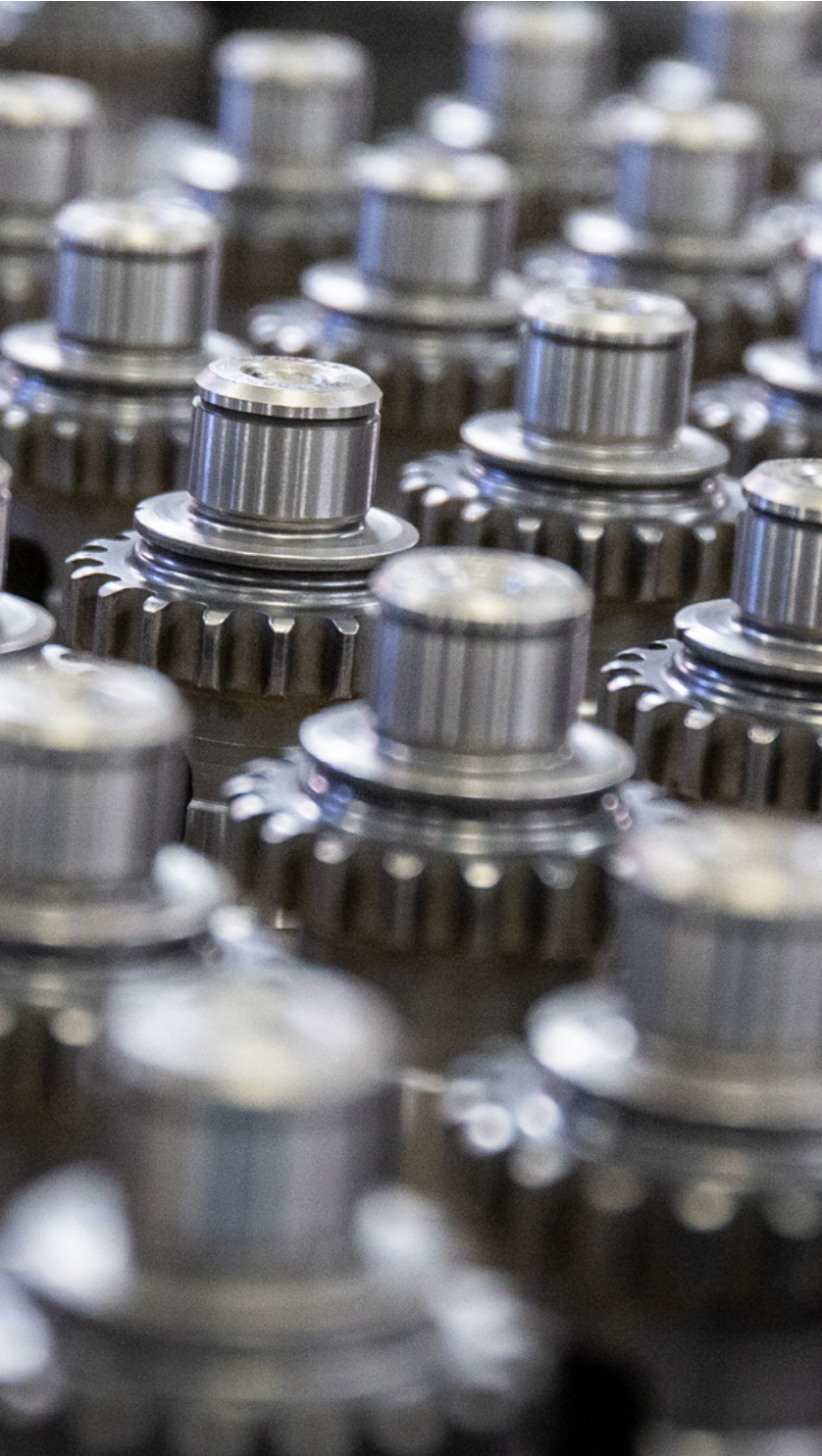
Order 608-627-1497

S&S Vintage 1936-1999



WARRANTY & COMPANY POLICY

- LIMITED WARRANTY216
- MAP POLICY.....213
- ORDERING AND RETURNS214
- S&S VIDEO USAGE POLICY.....218
- WARRANTY SERVICE215





S&S® CYCLE, INC.
14025 CTY HWY G, VIOLA, WI 54664
608-627-1497
SSCUST@SSCYCLE.COM
SSCYCLE.COM

PUT YOUR CUSTOMER NUMBER HERE:

DISCLAIMER

The names Harley®, Harley-Davidson®, H-D® and all trademarks owned by Harley-Davidson and its affiliated companies, and all H-D and Buell® part numbers and model designations are used for reference only. S&S Cycle is in no way associated with or authorized by Harley-Davidson Motor Co. to manufacture and sell any of the engine parts described in this catalog. The installation of any S&S part may void or otherwise adversely affect your factory warranty. In addition, such installation and use may violate certain federal, state and local laws, rules and ordinances as well as other laws when used on motor vehicles operated on public highways, especially in states where pollution laws may apply. Always check federal, state, and local laws before modifying your motorcycle. It is the sole and exclusive responsibility of the user to determine the suitability of the product for his or her use, and the user shall assume all legal, personal injury risk, and liability and all other obligations, duties and risks associated therewith. S&S parts are intended for the very experienced off-road rider only.

SALES

S&S parts are obtainable from many distributors and dealerships throughout the world. Please reference our Dealer Locator on the S&S website for an authorized Dealer near you. In order to receive dealer prices, new customers must complete a Dealer Application through the S&S Customer Support Department. In order to receive distributor prices, new customers must provide, in addition to all of the dealer requirements listed above, a copy of your dealer catalog and dealer price list for consideration. It is left to S&S' sole discretion as to whom it allows to distribute S&S products.

NOTE: Distributors are authorized to sell to dealers only. Retail sales are prohibited.

TERMS

S&S accepts Visa, MasterCard, and American Express

New Dealers and Distributors: For a period of six months following the acceptance of a completed Customer Application form, component orders for all new S&S customers shipped in the continental United States and abroad will be sent prepaid.

Existing Dealers and Distributors: After six months as an S&S customer, dealers and distributors with a satisfactory payment and performance history may request an open account status from their Customer Support representative.

International: Any orders from outside the United States must be prepaid in United States funds. Freight charges may be prepaid by the customer or order may be shipped freight collect.

Telephone orders will be handled according to customer terms.

Individuals: S&S recommends that parts are purchased through a dealer; However, S&S will ship parts order to a retail customer if desired.

Service Charges: S&S reserves the right to levy additional charges under the following circumstances:

Insufficient Funds: Any customer that has a check returned to S&S for lack of funds will be charged \$35.00 and will be immediately placed on pre-paid status.

Past Due: Any account that is 30 days past due will be assessed a charge of 1.5% on the balance due for each month the account is in arrears. The account will be put on hold until all past due amount is paid. Customer will then be put on prepaid and can reapply for terms.

Duplicate Manufacturer's Statement of Origin (MSO): Any customer requesting a duplicate MSO will be charged \$60.00 for each separate MSO required. Please be aware that a sworn affidavit must be completed and submitted to S&S before the duplicate MSO can be prepared.

Order 608-627-1497



MINIMUM ADVERTISED PRICE (MAP) POLICY

S&S Cycle will issue printed price lists indicating Manufacturer's Suggested Retail Pricing (MSRP) and maintain a current listing with effective date of MSRP on its internet website which can be amended at any time by S&S Cycle at its sole discretion. Any priced advertisement in any media such as but not limited to internet or similar electronic media, radio, television, flyers, posters, catalogs, mail order catalogs, magazines, e-mail newsletters, e-mail solicitations, coupons, mailers, inserts, newspapers, and public signage must be not less than 10% below the current MSRP as indicated on the printed price list or S&S website. Any pricing advertised that is greater than 10% below that shown on the current printed price list or MSRP list on the S&S Cycle website will be a violation of this MAP policy and subject to enforcement procedures as identified later in this document.

Sales of any S&S products listed on the current price list through third party retailing (such as eBay and Amazon) is allowed providing the listed price is less than 10% below MSRP.

This MAP Policy applies only to advertised prices and does not apply to the actual price that S&S Cycle products are sold or offered for sale to an individual consumer within Reseller's location or over the telephone. Resellers are free to sell S&S Cycle products at any price they choose under these circumstances.

The inclusion in advertising of any free or discounted products with a product covered by this MAP Policy would be contrary to this MAP Policy if it has the effect of discounting the advertised price of the included S&S Cycle product below current MSRP as indicated on the S&S Cycle internet website or printed price list.

This MAP Policy does not establish maximum advertised prices. Resellers may offer S&S Cycle products at any price in excess of current MSRP.

Pricing listed on an internet site is considered an "advertised price" and must adhere to this MAP Policy. Once the pricing is associated with an intent to purchase (adding to shopping cart or order), the price becomes the selling price and is not bound by this MAP Policy. Statements such as "add to basket to see price," "we will match any price," "call for price" or similar phrases are acceptable as long as the price advertised or listed for the products is less than 10% below current MSRP. In addition, discounts applied at checkout to the customer's entire order based on customers purchasing history with the Reseller, such as discounts for "frequent shoppers," do not violate this MAP Policy.

S&S Cycle reserves the right to offer promotions on certain products. In such an event, we reserve the right to modify or suspend this MAP Policy in whole or in part by notifying all Resellers of the nature and duration of the change. S&S Cycle further reserves the right to adjust the MSRP with respect to all or certain products at its sole discretion. Such changes shall apply equally to all resellers.

ENFORCEMENT PROCEDURES:

S&S has included its MAP Policy Enforcement Procedures in the Dealer Agreement to ensure all dealers signing the "acknowledgement" page are aware of the severity in which S&S will deal with violators of this policy. Any determinations by S&S under these enforcement procedures shall be binding upon the violator.

FIRST OFFENSE:

Dealer will receive notification of the nature of the violation and will be given thirty (30) calendar days to remove the offending print advertisements from publication and distribution and three (3) business days to remove any offending electronic advertisements from web pages, internet sites, or other electronic media.

SECOND OFFENSE:

Dealer will receive a notification and the account will be placed on a non-ship basis for thirty (30) days from the date of notice.

THIRD OFFENSE:

Dealer will receive a notification and the account will be placed on a non-ship basis for sixty (60) days from the date of notice.

FOURTH OFFENSE:

Dealer will receive a notification and the account will be placed on a non-ship basis indefinitely.

The administration of this MAP Policy and any determinations made under it are solely within S&S Cycle's discretion and authority. All questions about this MAP Policy should be in writing and directed via U.S. Mail to the Vice President of Marketing, S&S Cycle Inc, 14025 County Highway G, Viola WI 54664. This policy is subject to change at S&S' sole discretion.



ORDERING

Orders may be placed online or by telephone or email. Special forms for written orders are not necessary. Special order parts will require payment in full by credit card or wire transfer before the order is placed, and in most cases a special order form is also required. S&S® requires specific information when ordering parts. Refer to the appropriate section of the catalog that contains the parts you want to order for the required information.

HOW TO ORDER

Written orders should be mailed to:

S&S Cycle, Inc.
Customer Support Representative
14025 Cty. Hwy. G
Viola, WI 54664

Fax orders should be sent to: 608-627-1488

Email orders should be sent to your Customer Support Representative.

When placing an order by letter, fax, or email, please include the following information:

1. First and Last Name
2. Customer Number
3. Company Name
4. Street Address, City, State, and Zip Code
(UPS will not deliver to a post office box.)
5. Phone Number where you can be reached between 8:00A.M. and 5:00P.M. Central Standard Time.
6. Shipping Preference. Customer must specify the method of shipment e.g. UPS one-day air, UPS two-day air, UPS ground, Federal Express, Truck, or U.S. Mail
NOTE: S&S ships most domestic and international orders via UPS
7. Year and model of motorcycle for each kit ordered
8. Information that is helpful in establishing the correct S&S part has been ordered. Examples of information to include are: engine displacement, bore and stroke, cylinder height, and existing modifications to the motor
9. S&S part number and quantities required
NOTE: The customer is responsible for determining & ordering the appropriate part number
10. Deposit applies only to individual customers or orders for special parts

HOW TO ORDER BY PHONE

When placing an order by phone please provide the information below:

1. Customer Number
2. Name of person placing the order
3. Company Name
4. Street Address, City, State, and Zip Code. For dealers and distributors, S&S Customer Support Representative will verify current address against our computer listing each time an order is placed
5. Shipping Preference. Customer will be asked to determine the method of shipment e.g. UPS one-day air, UPS two-day air, UPS ground, Federal Express, Truck, or U.S. Mail

NOTE: S&S ships most domestic and international orders via UPS

6. S&S part numbers and quantities required. NOTE: The customer is responsible for determining and ordering the appropriate part number
7. Information that is helpful in establishing the correct S&S part has been ordered. Examples of information to have available include: engine displacement, bore and stroke, cylinder height, and existing motor modifications

BACKORDERS

Through continual expansion of equipment and facilities, S&S is making an ongoing effort to improve parts availability, however, backorders cannot always be avoided.

Items not in stock at the time the initial order is shipped will be backordered.

During the backorder period if the customer decides the parts are no longer needed, it is the customer's responsibility to notify S&S that the order should be cancelled.

Shipping charges and restocking fees will be applied to any backorders that are refused in the same way they are applied to other orders that are refused.

REFUSED SHIPMENTS

Orders that are refused or returned to S&S® for reasons such as insufficient funds or having no one available when the shipment is delivered are subject to a 20% restocking fee plus any shipping. The customer will then be put on Pre-Pay status and remain there for a minimum of 6 months.

SPECIAL ORDERS

All special order parts must be paid for in-full when the order is placed. In addition, the customer must complete special order sheet and sign a copy of the sales order to verify that the specifications are correct. The order may not be cancelled. Special order parts are not returnable. *NOTE: Distributors of S&S Cycle, Inc. are not authorized to order Special Order items as this is a Race and Dealer only program.

RETURNS

Shipments must be inspected by the customer immediately upon receipt to insure they are complete and undamaged. If damaged parts are discovered, an immediate claim must be made with the carrier. S&S must be notified within five (5) working days of the receipt of a shipment that has been determined to have shortages or contain incorrect or defective parts. It is advisable to phone S&S as soon as possible as issues can frequently be resolved more quickly over the phone.

The following requirements must be satisfied to receive credit, a refund, or to exchange merchandise.

1. Call S&S to obtain a Return Authorization (RA) number before the parts are returned. The RA number must be visible and clearly written on the container.
2. Return the parts to S&S within 10 days.
3. Package the parts to prevent any damage occurring during shipping. If parts being returned to S&S are damaged in transit because of inadequate packaging, they will be returned to the customer at the customer's expense. Repackaging parts using S&S containers does not always ensure the items are packaged properly. S&S original containers may be reused but good judgment must be applied to determine if additional protection is required.
4. All returns must be sent to S&S insured and prepaid. No CODs will be accepted.
5. All returns must be accompanied by a copy of the original invoice of purchase and a note explaining in sufficient detail the reason for the return. The Return Authorization number must be visible and clearly written on the container and the explanatory note.
6. Under no circumstances are damaged, altered, rusty, used or otherwise un-saleable parts eligible to be returned for credit. S&S will not issue an RA number for anything altered, used, unpackaged or deemed obsolete by S&S.

Upon acceptance of the returned parts by S&S under the requirements described above, the customer will be charged a minimum restocking fee equal to 20% of the total value of the parts.

ALL RETURNS MUST BE SHIPPED TO:

S&S® Cycle Inc.
14025 Cty Hwy G
Viola, Wisconsin 54664

SHIPPING

Domestic: S&S will ship most orders via UPS ground and will do so unless the customer requests another method. S&S will not ship by bus line but will ship via Federal Express or Truck at the customer's request.

Pre-Paid Shipping: Pre-payment of shipping charges by dealer allows them to receive S&S shipping rates, resulting in significant savings.

International: Due to high shipping and customs costs, it is recommended that international customers advise S&S of the carrier to be used, especially for a large order.

Orders that must be received quickly can be shipped by UPS-Waybill (three to four-day service) or UPS-Expedite (five to six-day service).

Order 608-627-1497



WHAT ARE THE PROCEDURES TO OBTAIN SERVICE UNDER THIS WARRANTY?

To obtain service under this warranty, the original Consumer Purchaser should immediately contact the dealer where the Engine was purchased. The dealer will then contact S&S® Cycle, Incorporated (the "Company") for a determination as to whether the defect in the Engine or part is covered by this warranty.

THE DEALER OR SERVICE PROVIDER MUST RECEIVE AUTHORIZATION FROM THE COMPANY BEFORE PROVIDING SERVICE UNDER THIS WARRANTY.

In the event that the Company determines the Engine or part must be returned to the Company for evaluation or service, the Company will provide the dealer with a Return Authorization Number to put on the shipping container for identification.

The original Consumer Purchaser or dealer must clean and properly package the Engine or part so as not to cause further damage and return the Engine or part, shipping costs prepaid, to the Company. The Return Authorization Number must be clearly visible on the outside of the shipping container. If the Engine or part must be cleaned prior to warranty inspection the cost of cleaning will be charged to the original Consumer Purchaser or dealer.

The original Consumer Purchaser or dealer must also send to the Company a detailed explanation of the relevant facts concerning the nature of the problem, the specific use of the Engine, and the circumstances giving rise to the defect or problem.

If it is not practicable to contact the dealer for warranty service, the original Consumer Purchaser may contact the Company at the following address, telephone number, or e-mail address:

S&S® Cycle, Incorporated
Attention: Customer Support
14025 Cty Hwy G
Viola, Wisconsin 54664
Phone: 608-627-1497 Email: sstech@sscycycle.com

HOW DO STATE LAWS RELATE TO THIS WARRANTY?

This warranty gives you specific legal rights. You may also have other rights that vary from state to state.

ARE THERE OTHER WARRANTIES?

THE WARRANTIES STATED IN THIS WARRANTY REPLACE ALL OTHER WARRANTIES, EXPRESS OR IMPLIED, INCLUDING WITHOUT LIMITATION, THOSE OF MERCHANTABILITY AND FITNESS FOR A PARTICULAR PURPOSE, AND ANY OTHER OBLIGATIONS OR LIABILITIES ON THE PART OF THE COMPANY WHETHER IN CONTRACT, WARRANTY, NEGLIGENCE OR OTHERWISE, TO THE EXTENT NOT PROHIBITED BY LAW.

Some states do not allow limitations on how long an implied warranty lasts, so the above limitation may not apply to you.

WHAT MUST THE ORIGINAL CONSUMER PURCHASER DO TO QUALIFY FOR WARRANTY COVERAGE?

Within thirty (30) days after the date of purchase of the Engine, the selling Dealer or Consumer Purchaser must return the completed Warranty Registration Form (included with the engine shipment), along with a copy of the invoice, evidencing such purchase to the Company. Upon receipt of the Owner's Warranty Card Registration Form by the Company, the MSO will be sent to the selling Dealer by the Company. The selling Dealer is responsible for forwarding the original MSO to the Consumer Purchaser. The Owner's Warranty Card will be sent by The Company to the Consumer Purchaser based on the information completed by the Selling Dealer within the returned Owner's Warranty Card Registration Form. The Owner's Warranty Card Registration Form should be returned to the Company at the following address by the selling Dealer:

S&S® Cycle, Incorporated
Attention: Customer Support
14025 Cty Hwy G
Viola, Wisconsin 54664
Phone: 608-627-1497 Email: sstech@sscycycle.com

THIS WARRANTY IS VOIDABLE AT THE COMPANY'S OPTION IF THE ORIGINAL SELLING DEALER DOES NOT RETURN TO THE COMPANY THE WARRANTY REGISTRATION FORM AND A COPY OF THE INVOICE WITHIN THIRTY (30) DAYS FROM THE DATE OF PURCHASE OF THE ENGINE.



LIMITED WARRANTY

S&S Cycle, Inc. (the “Company”) warrants to the original purchaser that each new product manufactured and assembled by the Company will be free, under normal use and maintenance, from significant manufacturing defects in materials and workmanship for two (2) years (KN and T143 Engines one (1) year limited warranty. SB100 engines are one (1) year parts only), subject to the following exceptions, exclusions, obligations, and limitations. All warranty periods shall begin from the date of purchase by the original retail customer or one year from date of manufacture, whichever comes first.

Exceptions/Exclusions

The foregoing limited warranty is not assignable or transferrable and shall not apply: (1) to any engine, part, or component that is used for other than the intended commercial purpose (including, without limitation, any racing or similar competitive activities or where competition applications, such as a turbocharger, supercharger, or nitrous oxide is used with the engine); (2) where the engine, part, or component has been subject to misuse, negligent use or maintenance, improper storage or shipping, old or contaminated fuel left within the fuel systems, operation without adequate cooling or lubricants, or a failure to operate or maintain in accordance with the specifications published by the Company; (3) where the engine, part, or component has been involved in an accident, or has been altered in any way which, in the sole judgment of the Company, adversely affects performance, safety, structural integrity, or reliability; (4) to any engine, part, or component manufactured or furnished by a third party; (5) where any engine, part, or component is (i) assembled by the Company in accordance with the purchaser’s specifications or (ii) used in conjunction with or otherwise attached to a part or component manufactured by a third party and with respect to which the Company has not pre-tested and approved the structural integrity, application, and use of such fully-assembled product; (6) to defects or damage caused by the user failing to cease operation of the engine, part, or component as soon as the defect is identified or suspected, or where the engine, part, or component has been used in vehicles for demonstration or development purposes; or (7) to normal wear and tear or to parts or components consumed/expended in the normal operation of the engine (including, without limitation, oil, fuel, spark plugs, lubricants, oil filters, air filters, or fuel filters). This limited warranty shall not apply to any defects in the engine, part, or components powder coat or chrome finish, when that option is selected, if the defects arise from or are caused by negligence of parties other than the Company, an accident, ordinary wear and tear, assembly or disassembly, power washing, natural occurrences (such as stone chips or salt and other substances used on streets and highways), bead blasting, improper maintenance including the use of any harsh cleaning agent, chemical solvent, or solvent. This limited warranty does not cover inconvenience or loss of use of the engine, part, or component, routine maintenance services or adjustments, or the cost of labor to remove, install, or service the engine, part, or component or any part contained therein. This limited warranty covers engine, part, or component and/or workmanship issues only, and not the equipment to which the engine, part, or component may be mounted or attached.

REMEDIES

As to valid warranty claims against the Company, the original purchaser’s sole and exclusive remedy, and the Company’s sole and exclusive obligation under this limited warranty, shall be, at the Company’s option, replacement or repair of such defective engine, part, or component. The original purchaser shall notify the Company within ten (10) days after discovery of the alleged defect specifying in detail the nature of the defect. Failure to provide written notice within the ten (10) day period shall constitute a waiver of such warranty claim. Where warranty rights are claimed, all goods claimed to be defective shall be delivered to the Company with transportation charges prepaid, and the original purchaser’s copy of the original invoice must be provided to the Company as evidence of the date of purchase.

DISCLAIMER/LIMITATION OF LIABILITY

EXCEPT AS SPECIFICALLY SET FORTH ABOVE, NO EXPRESS WARRANTY IS GIVEN BY THE COMPANY WITH RESPECT TO ANY ENGINES, PARTS, OR COMPONENTS. ANY WARRANTY IMPLIED BY LAW, INCLUDING ANY WARRANTY OF MERCHANTABILITY OR FITNESS FOR A PARTICULAR PURPOSE, IS EXPRESSLY LIMITED TO THE DURATION OF THE LIMITED WARRANTY SET FORTH ABOVE. THE COMPANY MAKES NO OTHER EXPRESS WARRANTY. THE COMPANY SHALL NOT BE LIABLE FOR ANY SPECIAL, INDIRECT, INCIDENTAL, OR CONSEQUENTIAL DAMAGES OF ANY KIND OR NATURE.

Some states and countries do not allow limitations on how long an implied warranty lasts, or the exclusion or limitation of incidental or consequential damages, so the above limitation or exclusion may not apply to you, and you may have other rights which vary from state to state.

Order 608-627-1497



LIMITED WARRANTY STANDARD PARTS

WHO IS COVERED BY THIS WARRANTY?

This warranty covers only the original Consumer Purchaser of these parts and is not transferable.

WHAT DOES THIS WARRANTY COVER?

S&S® Cycle, Incorporated (the “Company”) warrants these parts to be free from defects in material and workmanship. If the parts become defective during the warranty coverage period, the Company will, at its option, repair or replace any, or all, defective parts. Repair or replacement of defective parts is the sole and exclusive remedy.

HOW LONG IS THE WARRANTY COVERAGE?

With the exception of electrical and electronic components, the warranty coverage remains in force for a period of twelve (12) months from the date that the original Consumer Purchaser buys the parts. Electrical and electronic components are covered by a warranty duration of six (6) months. However, warranty coverage will automatically terminate if the original Purchaser sells or otherwise transfers all or any portion of the purchased parts.

WHAT IS NOT COVERED BY THIS WARRANTY?

The Company shall not pay or be responsible for the cost of shipping the defective parts to the Company for service under this warranty, nor will the Company pay for the cost of labor to remove and/or replace the defective parts.

Moreover, the Company shall have no obligation under this warranty in the event that the parts become defective in whole or in part as a result of improper assembly, installation, break-in, maintenance, or use, or any other misuse or mistreatment of the parts, including, without limitation, operation of the parts with fuels, oils or lubricants not

conforming to specifications published by the Company or continued operation of the parts after a defect or malfunction occurs or is identified or suspected.

The Company shall have no obligation under this warranty for defects in parts with a powdercoat finish, when that option is selected, if the defects are caused by, but not limited to, negligence of parties other than the Company; an accident; ordinary wear and tear; assembly or disassembly; power washing; natural occurrences like stone chips; bead blasting; improper maintenance including the use of any harsh cleaning agent, chemical or solvent; and salt or other substances used on streets and highways for maintenance and safety.

The Company provides touch-up paint with powdercoated parts. It is the customer’s responsibility to repair minor finish damage to prevent or inhibit further deterioration.

It is the responsibility of the original Consumer Purchaser to cease operation as soon as a defect or malfunction is identified or suspected. The failure to cease operation once a defect or malfunction exists can cause substantial damage to the Company’s parts that could otherwise be avoided.

In addition, the Company shall have no obligation under this warranty for parts defects caused by alteration including, but not limited to, polishing; powdercoating; painting; removing or reconfiguring any components; modification, repair, or unauthorized service.

The Company shall have no obligation under this warranty if the parts are used in racing or similar competitive activities. The Company shall have no obligation under this warranty when a competition application, including but not limited to a turbocharger, supercharger or nitrous oxide, is used with the Engine. Further, the Company shall have no obligation under this warranty for any parts that are included in a Competition Package Option offered by the Company since the Package is for use in racing and similar competitive activities.

THE COMPANY SHALL NOT BE LIABLE FOR AND DISCLAIMS ALL CONSEQUENTIAL, INCIDENTAL, PUNITIVE OR SPECIAL DAMAGES ARISING OUT OF THE USE OF, OR INABILITY TO USE, THESE PARTS.

Some states do not allow the exclusion or limitation of incidental or consequential damages, so the above exclusion may not apply to you.



VIDEO USAGE POLICY

OVERVIEW

S&S owns all copyright and other intellectual property rights in the videos it produces or distributes. However, S&S customers are welcome to use and share S&S videos within these guidelines provided.

PERMISSIBLE USES

- Videos may only be used for non-commercial purposes or to promote the use or sale of S&S products.
- Videos may be embedded in external websites using video hosting service supplied embed (iframe) code.
- Videos can be added to a customer video hosting service account via playlists while still maintaining original exclusivity of uploaded videos by S&S.
- Reposting or uploading of S&S content is only permissible with written consent from S&S Cycle.
 - If consent is granted to repost/re-upload S&S content, customers may add annotations using functionality provided by video hosting services. This may include the customer's contact and ordering information which would be subject to approval by S&S to ensure branding is intact, prior to making it public. The video itself must remain unaltered.
 - S&S requires that at the beginning of each month, a report of view statistics per video be supplied to S&S.
- Links (url) to S&S YouTube channel or individual YouTube videos may be provided and shared by the customer via email, blog, website, social networks, or printed

material.

NON PERMISSIBLE USES

- Customers may not upload or repost any copyrighted materials owned by S&S to another video hosting service account or any website without written consent from S&S.
- Customers may not alter or modify any copyrighted materials owned by S&S.
- Videos may not be used in any way that is likely to disparage, dilute, tarnish, or otherwise harm the S&S brand.

TERMINATION OF LICENSE

Through this Video Usage Policy, S&S is granting its customers a limited, revocable license to display or link to its videos. S&S may, at any time, and at its sole discretion, terminate this license, at which point any copying or display of its videos will be prohibited, unless otherwise specified in writing.



APPENDIX

IDENTIFICATION OF FLYWHEELS 220
ORDERING S&S MANIFOLDS.....221
YEAR CODES..... 222
CUSTOM HEAD BOLT LENGTH 223

1984–1999 Evolution® 1936–1984 Vintage Engines Tools & Shop Supplies Warranty & Company Policy

Appendix



S&S® flywheels are manufactured in sets only. We do not sell individual right or left flywheels, nor do we recommend mixing flywheels. This is because the manufacturing techniques and/or tooling changes periodically.

To prevent mixing flywheels, as well as to identify each set, the right and left flywheels are stamped with identical serial numbers (see picture).

SERIAL NUMBER IDENTIFICATION INFORMATION

Serial Number ID, B01810-3SLX, deciphered as follows:

- (B01810) Serial Number: From this number, S&S can determine when the flywheels were made and sold, to whom they were sold, and how the flywheels were originally balanced
- (3) Stroke Code: Determines the stroke of the flywheels In this case the stroke is 4¾"
- (SL) Year Code: The year of the engine the flywheels were machined to fit and that the flywheels were machined to accept an S&S design sprocket shaft
- (X) Diameter Code: Diameter of the flywheels In this case the diameter is 8¼"



Flywheel Serial Number

S&S® FLYWHEEL IDENTIFICATION CODES FOR 1936-UP BIG TWIN

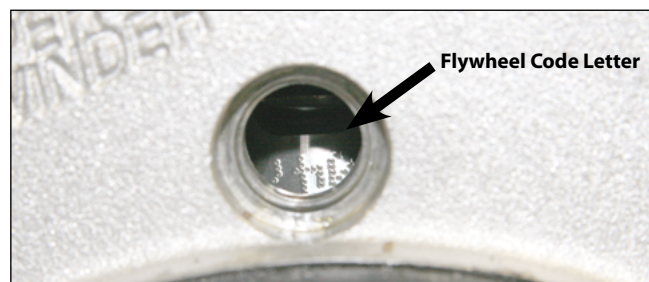
Stroke Code	Stroke	Year Code	Engine Year	Sprocket Shaft	Pinion Shaft	Crankpin Type	Diameter Code	Flywheel Diameter
1	4¾"	E	1936-'54	Stock	Stock	1941-'81	None	8½" (Stock)
2	4½"	L	1955-'71	Stock	Stock	1941-'81	A	8¾"
3	4¾"	AL	1972-Early '81	Stock	Stock	1941-'81	X	8¼"
4	5"	SE	1955-Early '81	S&S	Stock	1941-'81		
5	4¼" (Stock 80")	BL	Late 1981-'99	Stock	Stock	1981-'99		
6	4¾"	SL	Late 1981-'99	S&S	Stock	1981-'99		
9	Special order	SF	1999-up	Press In	Press In	Press In		
12	5¼"	SG	S&S 4½" Bore	Press In	Press In	Press In		
13	3½" (Stock 61")	SM	1995-'99 EFI	Press In	S&S	1981-'99		
14	3¾" (Stock 74")	Y	74"/80" Indian®	Stock	Stock	Stock		
16	5½"							
17	4"							
18	3¾"							
19	4½"							
TA	3¾"	Titan Special						
TB	4450"							

FLYWHEEL CODES:

Codes that pertain to the most common regular production flywheels have been listed. Many other codes for racing flywheels and special orders also exist. If you have a question about a set of S&S flywheels with codes different than those shown, contact an S&S technical assistant to properly identify what you have.

Flywheel ID codes that end with an "3" designate flywheels are 3-piece models.

Flywheel ID codes that end with an "A" or an "X" designate flywheels with a smaller than stock diameter. Stock big twin flywheels measure 8½", and stock flywheels for Harley-Davidson® Sportster® models are 7⅞" in diameter. Typically, "A" means ⅛" smaller, and "X" means ¼" smaller. To verify the code, it is best to measure the flywheels



Flywheel Code Letter

Serial numbers can be seen through the timing hole to identify the stroke of an assembled engine Keep in mind they will appear upside down in the hole

S&S® FLYWHEEL IDENTIFICATION CODES FOR HARLEY-DAVIDSON® SPORTSTER® & BUELL® MODELS

Stroke Code	Stroke	Year Code	Engine Year	Sprocket Shaft	Pinion Shaft	Crankpin Type	Rod Bearing Type	Diameter Code	Flywheel Diameter
1	4½"	None	1957-'76	Stock	Stock	Stock	Stock	None	7⅞" (Stock)
2	4¾"	B	1957-Early '81	Stock	Stock	Stock	Stock	A	7¾"
3	4¾"	SB	1957-Early '81	S&S	Stock	Stock	Stock	X	7¾"
4	4¾"	BD	1957-Early '81	Stock		Stock	Stock		
6	4¾"	SBD	1977-Early '81	S&S		Stock	Stock		
7	4¾"	C*	Late 1981-'85	Stock	Stock	Stock	Stock		
8	5"	SC	Late 1981-'85	S&S	Stock	Stock	Stock		
9	Special Order	SCD	Late 1981-'85	S&S		Stock	Stock		
11	4½"	SCR	Late 1981-'85	S&S	Stock	Stock	Stock		1987-Up
12	5¼"	SCDR	Late 1981-'85	S&S		Stock	Stock		1987-Up
15	3¾"	D	Late 1986-'03	S&S	S&S	S&S	S&S		
16	5½"	DR	Late 1986-'03	S&S	S&S	S&S	Stock		1987-Up
17	4"	PS	S&S Prostock	Press In	Press In	Press In			
18	3¾"	KRS	45" WR/KR	Stock	Stock	1957-'81 XL	1957-'81 XL		
19	4½"	YS	45" Indian	Stock	Stock	Stock	Stock		

* Obsolete - S&S no longer makes this design

Order 608-627-1497

We make one style of manifolds for both Harley-Davidson® Evolution® and Twin Cam 88® engines to fit stock cylinder heads and S&S cylinder heads—meaning manifolds supplied in S&S carburetor kits can be used with stock or S&S Super Stock® cylinder heads. The only thing that you have to keep in mind is that due to the slightly larger port diameter, these manifolds must be used with S&S manifold seals.

REPLACEMENT & SPECIAL ORDER INTAKE MANIFOLDS

Stock, S&S Engine or S&S Kit: To order a replacement manifold, refer to the manifold size chart for your particular engine type. Manifolds are listed for various sized carburetors and throttle bodies in the correct lengths for engines and kits offered by S&S.

Custom Engine: If the effective cylinder length is different from the standard offerings, a special manifold can be machined to your specifications. Order manifolds using the special order part numbers listed in the charts. Allow two weeks for delivery.

SPECIFYING MANIFOLD LENGTH

When ordering a special manifold, specify the length of the manifold required for your application. There are several methods to specify the length of a manifold:

PORT-TO-PORT DISTANCE: S&S MANIFOLD MEASURING TOOLS

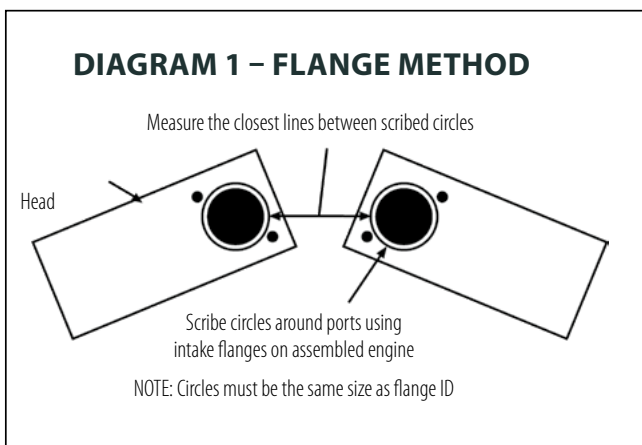
The most accurate method for specifying length for a special order manifold:

- Use the S&S Manifold Measuring Tools to measure port-to-center to port-to-center distance on an engine or an existing manifold.
- Specify whether the measurement was from an engine or from an existing manifold. (Manifold measurements will be approximately 0.30" shorter than engine measurements due to clearance normally built into the manifold).

PORT-TO-PORT DISTANCE: FLANGE METHOD

Another accurate method of specifying manifold length for special order is to measure the port-to-port distance on an assembled or mock-up engine:

- Assemble or mock-up the engine & install the intake flanges on heads
- Scribe a circle around the port using the mounting flange as a template. The circle must be the same size as the ID of the flange. (It is recommended that front flange be installed upside down on the rear head and vice versa, to avoid inaccuracy in the circle diameter).
- Remove the flanges and measure the shortest distance between the scribed circles. See Diagram 1.



EFFECTIVE CYLINDER LENGTH

Ordering a special manifold by effective cylinder length is commonly used since it does not require any special tools, however, this method will not account for machining inaccuracy in the cases or heads.

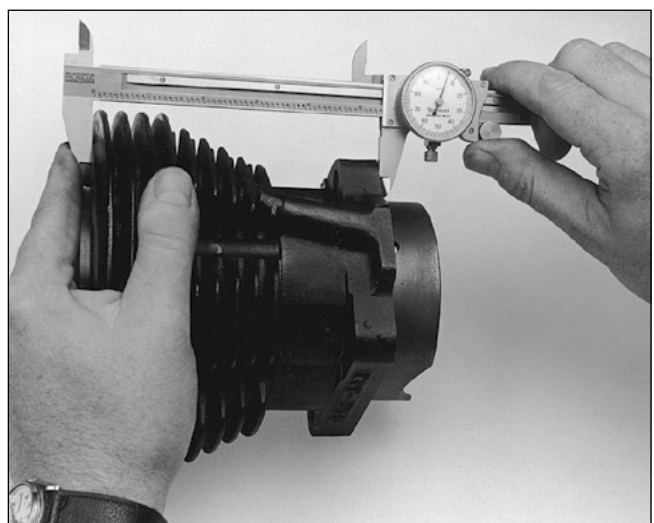
- Measure the cylinder length from gasket-surface to gasket-surface without the head and base gaskets in place. (A precision measuring instrument, such as a dial caliper, should be used to insure accurate results).
- If all components except the cylinder are stock, the actual cylinder length and the effective cylinder length are equal. However, if base plates will be used under the cylinders or if the crankcase deck height is taller than stock, the thickness of the base plates and any extra base gaskets, or the change in deck height must be added to the cylinder length to determine the effective cylinder length.
- If the cylinder heads have been decked to increase compression, the amount they have been shortened must be subtracted from the effective cylinder length.
- If the effective cylinder length is equal to or no more than 0.30" longer than the cylinder length listed for a specific manifold in a chart, that manifold will fit the engine.
- If the effective cylinder length is significantly different from any manifold that is available, the manifold must be special ordered. (When placing an order for a special manifold by effective cylinder length, you will be asked for actual dimensions of the cylinders and other components. S&S will calculate the effective cylinder length).

MANIFOLD SIZE NUMBER

Specifying the length of a special order manifold by size number has proven not to be a reliable method. Many manifolds ordered by this method have proved to be too long because the customer took a size number from a part that had been shortened and no longer matched the original specifications. Manifolds ordered by size number are not returnable because of fitment problems.

MANIFOLDS FOR PANHEAD & KNUCKLEHEAD ENGINES

Port-to-port measurement is easy since the ports are parallel to each other. On an assembled or mocked up engine, a measurement from head-to-head on opposite sides of each port should ideally be taken before the head bolts and base nuts are tightened. To insure that the ports are parallel, the heads and cylinders should be positioned so both measurements are equal. A precision measuring instrument, such as a dial caliper, should be used to ensure accurate results.





S&S serial numbers begin with the following manufacturing year codes Year codes coincide with S&S Cycle's fiscal year, which starts on Oct 1st of the previous calendar year A product with serial number beginning with the letter "A" was manufactured in fiscal year 1978, between 10-01-77 and 09-31-78, or in the fiscal year 2000

A 1978	S 1993	J.....2008
B 1979	T 1994	K2009
C 1980	U 1995	L2010
D 1981	V NOT USED	M.....2011
E 1982	W..... 1996	N2012
F 1983	X 1997	O NOT USED
G 1984	Y 1998	P2013
H 1985	Z 1999	Q NOT USED
I..... NOT USED	A2000	R2014
J..... 1986	B2001	S2015
K 1987	C2002	T2016
L 1988	D2003	U2017
M..... 1989	E2004	V NOT USED
N 1990	F2005	W.....2018
O NOT USED	G2006	X2019
P 1991	H2007	Y2020
Q NOT USED	I..... NOT USED	Z2021
R 1992		

OLDER S&S® CARBURETOR REPLACEMENT PARTS

When ordering parts for older S&S carburetors, it is necessary to determine the correct style of float, needle and bowl S&S has used two different mechanisms to connect the float to the inlet needle

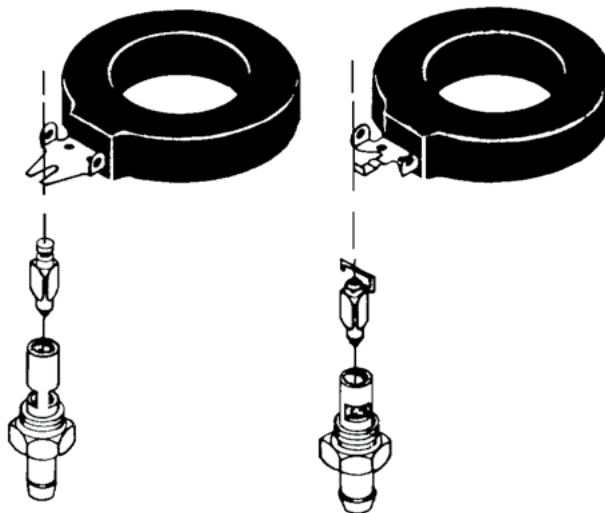
FORKED MECHANISM: Older style that utilizes a forked float tang, which slides into a slot in the top of the needle

WIRE MECHANISM: Current style that features a needle with a wire hook which attaches to the tang of the float

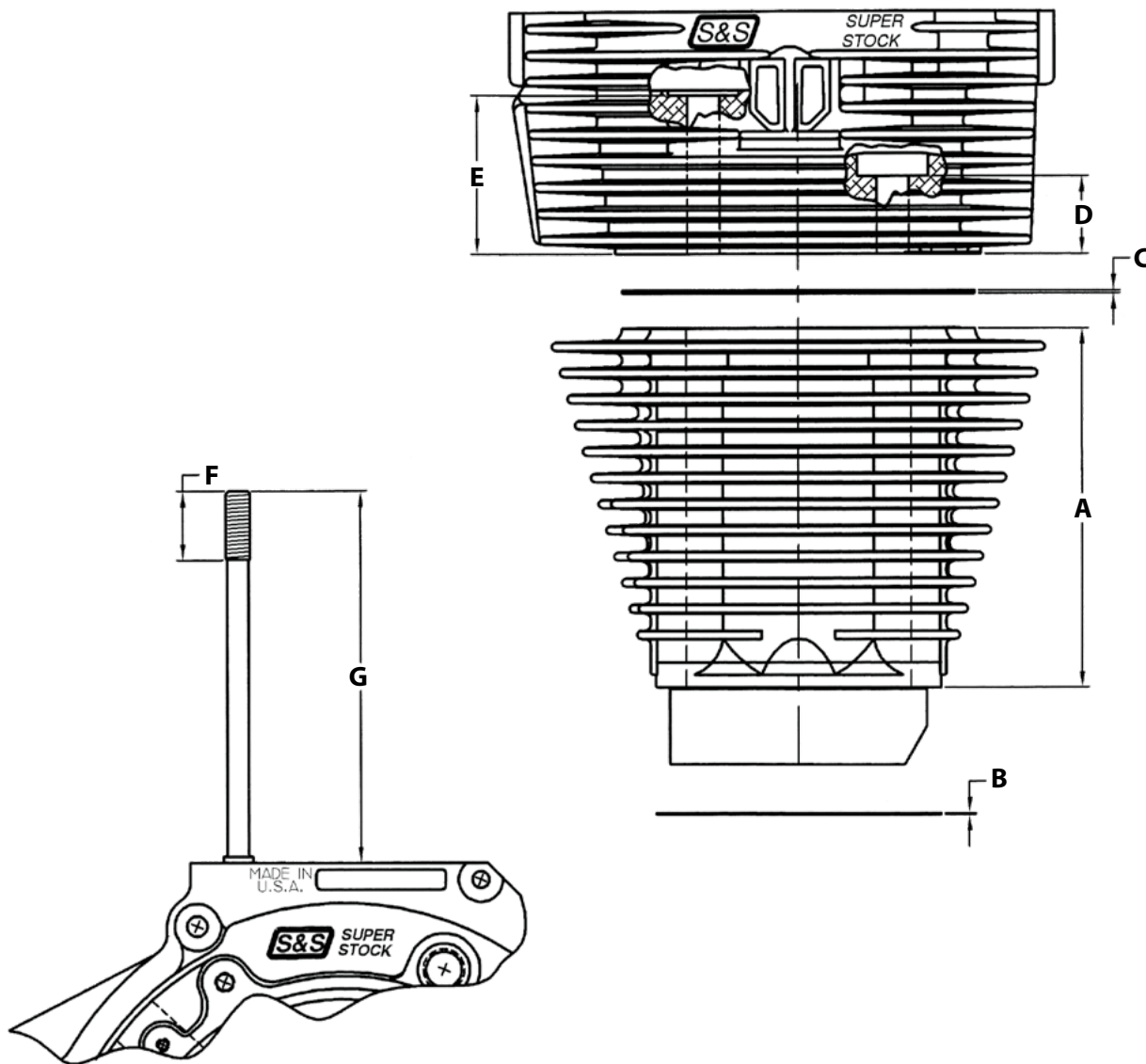
Parts of differing styles may not be used together For example, although the carburetor bowls of the two styles look very similar, they are not interchangeable due to differences in the float retaining pin position Some parts are no longer available for carbs with forked style mechanisms If these parts must be replaced, the entire bowl assembly must be replaced with wire mechanism style components

FORKED TYPE MECHANISM
(OBSOLETE)

WIRE TYPE MECHANISM



- Add:**
- A** **Cylinder Length**
(Gasket surface to gasket surface measurement)
 - + B** **Base Gasket Thickness**
 - + C** **Head Gasket Thickness**
 - + D or E** **Cylinder Head Thickness**
(Gasket surface to head bolt washer pad measurement):
 - D** **Short Side**
All S&S = 1.207"
Late 1985-'90 Stock = 1.207"
1991-up Stock = 1.405"
 - E** **Long Side**
All S&S = 2.700"
All Stock = 2.700"
 - + F** **Desired thread engagement .563"**
Usually 1½ times stud diameter - stock studs are ¾"
- Subtract:**
- G** **Cylinder Stud Installed Height**
(Crankcase deck to top of stud measurement)





Order 608-627-1497



**ARE YOU
FAST
ENOUGH?**

S&S® CYCLE INVITES YOU TO JOIN THE CLUB

Go here: sscycle.com/join-second-club

Rules:

1. Proof that your street-riden motorcycle (*D.O.T. tires, full charging system, no wheelie bars or air shifts*) equipped with S&S performance products.
2. An 11.99 or quicker quarter-mile time. We'll need an official timing slip from a sanctioned dragstrip dated after June 1, 2005 and signed by the timekeeper. (*A good photo will do.*)
3. The registered owner must ride the motorcycle for the qualification pass.
4. A photograph of yourself and the motorcycle. Action shots are preferred if sharp and clear.

Members will receive a certificate, club patch, and t-shirt, but no payment or other considerations.

S&S Cycle, Inc. reserves the right to change prices, terms, availability, and specifications without prior notice.

CUSTOMER SUPPORT HOURS: MONDAY-FRIDAY 8:00A.M.-5:00P.M. CST

Calls should be directed to (608) 627-1497. International customers should use this number to place orders from outside the United States. This number should also be used if you have a technical or warranty question, or to contact the Accounting departments. This is not a toll-free number.



S&S® Cycle, Inc.
14025 CTYHWYG
Viola, WI 54664
608-627-1497
sscust@sscycle.com
sscycle.com

MADE IN USA
© 2023