

# 2024 S&S Cycle

**Parts for 1999–and later models\***

\*including 1986 & later xl models



3-27-2024

# LOOKING FOR REPLACEMENT PARTS?

## 2017–2021 M8 Engines

Air Cleaner Kit, Stealth .....	59
Air Cleaner Kit, Tuned Induction .....	58
Cam Kits .....	75
Cam Support Plate .....	74
Exhaust, Grand National® 2-2 Exhaust System .....	68
Exhaust, Grand National® 4" Mufflers .....	65
Exhaust, Grand National® EC Slip-On Muffler .....	72
Exhaust, Grand National® Muffler for Softail® Models .....	64
Exhaust, Grand National® Muffler for Fat Bob® .....	63
Exhaust, Mk45 4.5" Muffler .....	62
Exhaust, Mk 45 Replacement Muffler System for El Dorado 50-State Exhaust System .....	62
Exhaust, Shadow Pipe .....	67
Exhaust, Sidewinder 2-1 Exhaust System .....	66
Exhaust, Slash Cut 4" Mufflers .....	65
Exhaust, Slash-Cut EC Slip-On Muffler .....	64
Exhaust, Slash Cut Muffler for Softail® Models (Except Fat Bob® Models) .....	64
Exhaust, SuperStreet 2-1 Exhaust System .....	60
Oil Pump .....	73
3 Piece Flywheel .....	76

## 2007–2016 big twins

Air Cleaner, Classic Teardrop for S&S® Single Bore EFI .....	164
Air Cleaner, Classic Teardrop for Stock Fuel Systems .....	162
Air Cleaner Kits, Stealth .....	157
Cam Plate, TC3 .....	149
Crankcase, Super Stock T2 .....	144
Cylinder Heads, B3 .....	150
Cylinder Heads, B2 .....	151
Cylinder Heads, Super Stock® .....	152
Exhaust, Grand National® 2-2 Exhaust .....	171
Exhaust, Grand National® 4" Mufflers .....	168
Exhaust, Grand National® Slip-On Mufflers for Dyna® Models .....	166
Exhaust, Mk45 4.5" Muffler .....	167
Exhaust, Power Tune® Dual Header Replacements .....	172
Exhaust, Sidewinder® 2-1 Exhaust .....	169
Exhaust, Slash Cut 4" Mufflers .....	168
Exhaust, Slash Cut Slip-On Mufflers for Dyna® Models .....	165
Flywheel, 3-Piece .....	146
Flywheel, 5-Piece .....	147
Oil Pump, TC3 .....	148
Rocker Cover, Die-Cast .....	155
Rocker Cover, Billet .....	156
Single Bore Tuned Induction System .....	159
Single Bore Tuned Induction for Throttle by Wire .....	161
Throttle Body, Single Bore EFI .....	143
Throttle Body, Throttle Hog Cable-Operated .....	142
Tuned Induction, Updated .....	151
Valve Springs .....	154

## 1999–2006 big twins

Air Cleaner, Classic Teardrop for S&S® Single Bore EFI .....	260
Air Cleaner, Air Stinger Stealth Air .....	253
Air Cleaner, Stealth .....	254
Air Cleaner for Stock Fuel Systems .....	256
Air Cleaner, Super E & G .....	258
Cam Plate, TC3 .....	244
Carburetor, Super E & G .....	264
Crankcase .....	240
Crankcase Breather Reed Valve .....	266
Cylinder Heads, B2 .....	246
Cylinder Heads, B3 .....	247
Cylinder Heads, Super Stock® .....	248
Exhaust, Grand National® 4" Mufflers .....	267
Exhaust, Grand National® Slip-On Mufflers for Dyna® Models .....	268
Exhaust, Mk45 4.5" Mufflers .....	266
Exhaust, Power Tune® Dual Header .....	271
Exhaust, Sidewinder® 2-1 Exhaust System .....	269
Exhaust, Slash Cut 4" Mufflers .....	267
Exhaust, Slash Cut Slip-On Mufflers for Dyna® Models .....	268
Flywheel, 3-Piece .....	242
Flywheel, 5-Piece .....	243
Oil Pump, TC3 .....	245
Pistons .....	272
Rocker Cover, Die-Cast .....	251
Rocker Cover, Billet .....	252
Single Bore Tuned Induction System .....	255
Throttle Body .....	262
Valve Springs .....	250

## Sportster®, Street®, Nightster®, Street Rod™ & Buell®

Air Cleaner, Classic Teardrop .....	326
Air Cleaner, Classic Teardrop for Stock Fuel Systems .....	328
Air Cleaner, Stealth .....	323
Air Cleaners, Super E & G .....	330
Carburetor, Super E & G .....	334
Crankcase .....	318
Cylinder Head, Super Stock® .....	320
Exhaust, SuperStreet 2-1 .....	313
Exhaust, Grand National .....	314
Flywheel .....	316
Pistons .....	322
Rocker Cover .....	317
Single Bore Tuned Induction System .....	324
Valve Springs .....	336



## S&S LATE MODEL CONTENTS:

### MILWAUKEE-EIGHT® ENGINES

Exciting new performance products for motorcycles with the HD® Milwaukee Eight® engine

### 2007–2017 BIG TWIN

Performance upgrades for 2007–'17 HD® big twins with Twin Cam 96™, 103™, 110™ engines. From the basics like slip-on mufflers and air cleaners to camshafts, fuel systems, and big bore kits, to complete big inch engines. Replacement parts and service items too!

### 1999–2006 BIG TWIN

Everything you need to upgrade and maintain 1999–'06 HD® big twins with Twin Cam 88® and Twin Cam 88B™ engines. Exhaust, intake, fuel systems, cams, big bore kits, and complete engines. Also many service and replacement components.

### SPORTSTER®, STREET®, NIGHTSTER®, STREET ROD™ & BUELL®

HD® Sportster® motorcycles are becoming increasingly popular. S&S offers a lot of options for increasing displacement and performance. Carburetors, air cleaners, big bore kits, cam shafts, cylinder heads, and much more.

### TOOLS & SHOP SUPPLIES

Every job is easier with the right tools. Keep your bike running in top condition! You'll find special tools, shop supplies, and fluids you need, whether you are a "do-it-yourselfer" or a professional servicing technician.

### COMPANY POLICY & WARRANTY

Information on sales, ordering, shipments, S&S internet policy, and special orders. Warranty policies on all S&S parts and S&S assembled engines.

### APPENDIX

Useful information for our customers: identify S&S components, measuring manifolds, and calculating cylinder head bolt lengths.

*DISCLAIMER: The names Harley, Harley-Davidson, Buell, H-D, and all trademarks owned by Harley-Davidson and its affiliated companies, and all Harley-Davidson and Buell part numbers and model designations are used for reference only. S&S Cycle is in no way associated with or authorized by Harley-Davidson Motor Co. to manufacture and sell any of the engine parts described in this catalog.*

## CUSTOMER SUPPORT HOURS: MONDAY–FRIDAY 8:00A.M.–5:00P.M. CST

Calls should be directed to (608) 627-1497. International customers should use this number to place orders from outside the United States. This number should also be used if you have a technical or warranty question, or to contact the Accounting departments. This is not a toll-free number.

*S&S Cycle, Inc. reserves the right to change prices, terms, availability, and specifications without prior notice.*

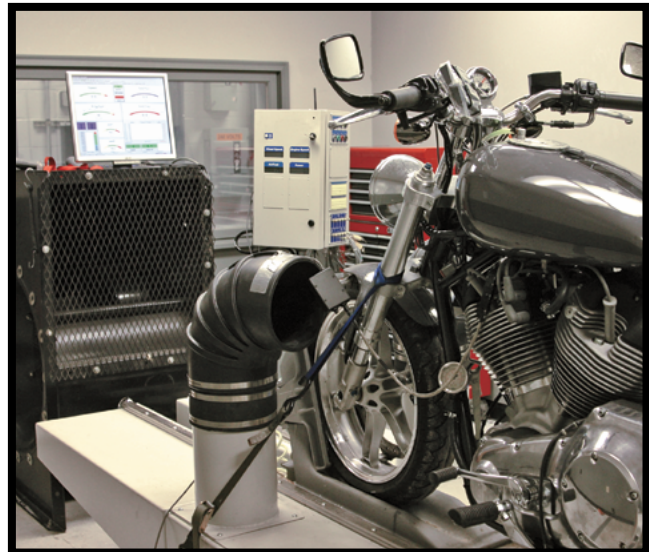
With a motto like "Proven Performance®", which is a registered trademark of S&S® Cycle Inc., it is very important that we be able to back up our claims regarding performance. It is also vitally important to be able to evaluate new designs in our development process. One of the tools we depend on for both of these functions is the chassis dynamometer.

Something that needs to be understood about dynamometers is that the results from one dyno will not necessarily be identical to those from another dyno. So comparing results from different dynos is bound to create a certain amount of confusion. This is especially true with dynos from different manufacturers. However, results of tests run on the same machine can be compared with a high degree of confidence. We can determine, for example if a performance modification increased power or torque, but there is a problem if you expect absolute values.

There are several brands of dynamometers which are in common use in the performance industry. These dynos will yield very reliable values for comparison, especially when tests are performed on the same machine. However values obtained from these dynos may not always agree. Which value is correct? It depends on who you ask.

## NO ABSOLUTES

In our literature and catalogs, we publish dyno results so our customers easily can see how our products improve performance over stock. However, it must be remembered that these are comparative values, and should not be taken as absolutes. If a similar or even identical engine or motorcycle is tested on another dynamometer, the results will more than likely differ.





**CONFIGURE TO ORDER:** CTO allows you to choose available options for a specific part or kit, and covers both "special order" parts and "made to order" kits. Some CTO kits have a base price with additional upcharges for the optional selections. In some cases, the entire price of a kit is determined by upcharges for the options selected. It is best to call an S&S customer service representative and configure the kit with exactly the options you want.



**VIDEO** If you see this icon, there is a video available.

## EMISSIONS SYMBOLS



Part numbers marked with this logo are replacement parts for specific S&S certified emission engines and are legal for sale and use on these engines. The number(s) listed by each logo in the catalog indicates the model(s) of S&S certified engines that use the part. Use the table below to reference your engine model to its number in the logo.

Engine Model Number	
V96E	1
V100C, V113E, V113C	2
V124E, V124C	3
X117E, X117C	4



Example: This part is legal for use on V96E, V124C, and V124E engine models.



Part numbers marked with this logo are legal to be sold for and used as replacement parts on HD® motorcycles in all 50 states. These parts may only be installed on a motorcycle model listed in the part's description. Selling or installing these parts on a pollution controlled motorcycle not listed is in violation of California and/or Federal emissions laws and could result in fines and penalties.



S&S Cycle's products designed to meet California's emissions standards.



S&S Cycle products that are EC-approved have an e mark from the European Commission in accordance with the mandatory members of the EU Directive and are legal for sale and use in Europe.

## MISSION STATEMENT & TRADEMARK INFORMATION

**MISSION STATEMENT:** Proven Performance® for the Powersports Industry.

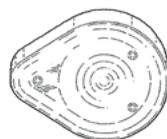
*DISCLAIMER: The names Harley, Harley-Davidson, Buell, H-D, and all trademarks owned by Harley-Davidson and its affiliated companies, and all Harley-Davidson and Buell part numbers and model designations are used for reference only. S&S Cycle is in no way associated with or authorized by Harley-Davidson Motor Co. to manufacture and sell any of the engine parts described in this catalog.*

**THE FOLLOWING ARE TRADEMARKS OF HARLEY-DAVIDSON® MOTORCYCLE COMPANY:** BUELL® • Dyna® • Evolution® • Evo™ • Harley® • Harley-Davidson® • HD® • H-D® • Heritage Softail® • Milwaukee-Eight® • Screamin' Eagle® • Softail® • Sportster® • Twin Cam 88® • Twin Cam 88B™ • Twin Cam 96™ • Twin Cam 96B™ • Twin Cam 103™ • Twin Cam 110™ • Tri Glide™

*Other trademarks mentioned in this catalog are the property of their respective owners and are used for reference only.*  
 American Andrews Products • Delphi • Dynojet • Hitachi • Keihin • Kevlar • Magneti Marelli • NHRA • Sunnen • SuperFlow • Tillotson • Timken • Viton

**THE FOLLOWING ARE TRADEMARKS OF S&S CYCLE INC.**

Body Parts • Dealer Focus • EZFI • Frame Lock • G-Extreme • Grand National • Hot Set Up Kit • IST • Performance Times • Power Tune • Proven Performance • S&S • S&S Service & Speed Center • Sidewinder • SPO • Super Stock • X-Wedge • Flathead Power • Viola V-Twin



MB

2007-17  
TWIN CAM  
96"/103"/110"

1999-06  
TWIN CAM  
88"

SPORTSTER, STREET,  
NIGHTSTER, STREET ROD  
& BUELL

TOOLS &  
SHOP  
SUPPLIES

WARRANTY &  
COMPANY  
POLICY

APPENDIX



Late Model



# MILWAUKEE-EIGHT®

## *Performance Kits*

124" Big Bore Kit .....	31
128" Big Bore Kit .....	31
129" Big Bore Kit .....	30
132" Big Bore Kit .....	30
Power Packs.....	34

## *Performance Parts*

Air Cleaners.....	25
Camshafts.....	44
Cylinders.....	32
Exhaust .....	8
Flywheels .....	40
Gaskets.....	57
Oil .....	37
Oil Filters .....	57
Oil Pump.....	47
Pushrods.....	51
Tappets.....	48
Valve Springs .....	53

<i>Replacement Parts</i> .....	58
--------------------------------	----



Look for updated black finishes on all of our exhaust systems! The tips are now coated in a durable Tuxedo black and the mufflers now feature our bomb-proof Guardian black coating that better matches factory header coatings, resists corrosion, and does not require heat cycling to fully cure.

*new black finish for all except Grand National® 2-2 for M8*



Taking chrome to the next level, S&S Cycle has launched a Lava Chrome that leverages the mirror finish of traditional chromium and gives it a smokey radiance producing a unique dark look while retaining the reflective qualities.

**FITMENT**

- 2017–2023 M8 touring models

**FEATURES & BENEFITS:**

- Smokey chrome with all the reflective qualities of traditional chromium
- Durable and easy to clean finish
- 2-1 styling for high-performance baggers
- Stainless steel stepped header
- Increased power and torque
- Machined aluminum end cap
- Includes adapters that allow use of wide band or stock O2 sensors
- Deep 2-1 performance exhaust note making maximum power
- Made in USA!



**LAVA CHROME SIDEWINDER® 49-STATE EXHAUST SYSTEM FOR 2017-2023 M8 MODELS — STREET LEGAL\***

Description	Part #	MSRP
Lava Chrome 2:1 Sidewinder Exhaust System - 50 State	<b>550-1086</b>	\$1,596.95

**LAVA CHROME SIDEWINDER® RACE ONLY EXHAUST SYSTEM FOR 2017-2021 M8 MODELS — RACE ONLY\*\***

Lava Chrome 2:1 Sidewinder Exhaust System - Race Only	<b>550-1087</b>	\$1,223.95
---	-----------------	------------

Sidewinder 2-1 Exhaust Systems are exempt from emissions tampering regulations for the models indicated below under the applicable CARB Executive Order: CARB EO# K-010-34

\*\*NOT LEGAL FOR SALE OR USE IN CALIFORNIA ON ANY POLLUTION CONTROLLED MOTOR VEHICLE. NOT LEGAL FOR SALE OR USE NATIONWIDE ON ANY FEDERAL POLLUTION CONTROLLED MOTOR VEHICLE UNDER THE CLEAN AIR ACT

WARNING: Cancer and Reproductive Harm — [www.P65Warnings.ca.gov](http://www.P65Warnings.ca.gov)







S&S Cycle has created the next level in high performance bagger exhaust! Merging a full flow stainless header into a highly engineered collector and culminating in a 4.5" muffler, the new Sidewinder represents the perfect combination of style and power.

**FITMENT**

- 2017–2023 M8 FL Models

**FEATURES AND BENEFITS**

- 2-1 styling for high-performance baggers
- Stainless steel stepped header
- High-flow cat
- Increased power and torque
- Available in show quality chrome or Guardian black finish
- Highlight Machined aluminum end cap
- Includes adapters that allow use of wide band or stock O2 sensors
- Deep 2-1 performance exhaust note
- Removable dB reducer (Race only version)
- Made in USA!



Removable dB reducer



**SIDEWINDER**  
by S&S CYCLE

**SIDEWINDER 2-1 FOR 2017–'23 M8 TOURING MODELS — STREET LEGAL†**

Finish	Part #	MSRP
Chrome	550-0758D	\$1,673.95
Black	550-0759D	\$1,627.95

SIDEWINDER 2-1 FOR 2017–2023 M8 TOURING MODELS — RACE ONLY††		
Finish	Part #	MSRP
Chrome	550-0728	\$1,223.95
Black	550-0729	\$1,199.95

†Exempt from emissions tampering regulations under CARB EO# K-010-34

††NOT LEGAL FOR SALE OR USE IN CALIFORNIA ON ANY POLLUTION CONTROLLED MOTOR VEHICLE. NOT LEGAL FOR SALE OR USE NATIONWIDE ON ANY FEDERAL POLLUTION CONTROLLED MOTOR VEHICLE UNDER THE CLEAN AIR ACT ⚠️ WARNING: Cancer and Reproductive Harm — www.P65Warnings.ca.gov

**NOTE:**

Not recommended for Tri Glide® or other three wheel models including conversions due to ground clearance.



See next page for Left Side Shadow Pipe



REPLACEMENT PARTS: SEE PAGE 66



S&S was building Performance Baggers long before it was called that and our focus has always been on making big power! The Diamondback 2-1 Exhaust System is a perfect example of our commitment to true performance. Beginning with a stepped header for maximum flow and a merged collector specifically engineered to prevent exhaust gas reversion, this system wraps up with a 4" full stainless muffler that ends before the rear axle. Diamondback is not for your Daddy's bagger, but purpose built to make big power and sound, excellent cornering clearance and just the right look. Cleared for tall shocks and available in brushed stainless or Guardian Black.

**FITMENT**

- 2017–2021 M8 touring models

**FEATURES & BENEFITS:**

- 2-1 full stainless system *(with shields!)*
- Oversize header primary tubes for optimum flow and performance
- Just enough length to make big power on your M8
- Four bungs for easy O2 sensor installation and air/fuel monitoring
- Computer aided design & precision bending for improved ground clearance
- Available in Brushed Stainless Steel or super durable Guardian Black Finish
- 50 State legal fitment available! CARB EO# K-010-20
- Made in USA!



DIAMONDBACK 2-1 FOR 2017-'21 M8 TOURING MODELS — STREET LEGAL†		
Finish	Part #	MSRP
Stainless Steel	550-0999A	\$1,859.95
Black	550-1027A	\$1,859.95
DIAMONDBACK 2-1 FOR 2017-'21 M8 TOURING MODELS — RACE ONLY††		
Stainless Steel	550-1000	\$1,099.95
Black	550-1028	\$1,132.95

†Exempt from emissions tampering regulations under CARB EO# K-010-30 for 2017-2023 touring models  
 ††NOT LEGAL FOR SALE OR USE IN CALIFORNIA ON ANY POLLUTION CONTROLLED MOTOR VEHICLE. NOT LEGAL FOR SALE OR USE NATIONWIDE ON ANY FEDERAL POLLUTION CONTROLLED MOTOR VEHICLE UNDER THE CLEAN AIR ACT  
 ⚠ WARNING: Cancer and Reproductive Harm — www.P65Warnings.ca.gov





The M8 engine is a powerhouse, but a low idle combined with a plugged up exhaust conspire to mute the true sounds of freedom that this machine was designed to emit. Not to worry, S&S have created the GNX slip-ons with one thing in mind and that's belting out the flag waving, eagle flying song of the American v-twin. Combining a 4.5" shell with a tuned baffle and race inspired tip, the GNX lets the sound and power flow out of the M8. Wait, you only want one eagle and a few flags? Not a problem, they include a removable dB reducer that lets you tune the sound to suit your version of the American dream. Made in America, the GNX features the durable Guardian Black finish and is relieved for shocks up to 13.5"

**FITMENT**

- 2017–2023 M8 touring models

**FEATURES AND BENEFITS**

- 4.5" slip-on with premium fit, finish, sound, and power!
- Show quality chrome or Guardian black
- Guardian Black is exact match to OEM header
- S&S Race inspired end cap in Tuxedo Black finish
- Unique louvered baffle delivers a rowdier tone
- Clears up to 13.5" shock lengths
- Removable dB Reducer
- Made in USA!



GNX SLIP-ON MUFFLERS		
Finish	Part #	MSRP
Black	550-0990	\$599.95
Chrome	550-0991	\$652.95

\*Qualified manufacturer declared U.S. 50-State legal emissions replacement part on all MY 2017-2023 FL Touring models  
 NOTE: Does not fit trike models  
 ⚠️ WARNING: Cancer and Reproductive Harm – www.P65Warnings.ca.gov

**NOTE:**

Not recommended for Tri Glide® or other three wheel models including conversions due to ground clearance.



REPLACEMENT PARTS: SEE PAGE 69

M8

2007-'17  
TWIN CAM  
96"/103"/110"

1999-'06  
TWIN CAM  
88"

SPORTSTER, STREET,  
NIGHTSTER, STREET ROD  
& BIJEL

TOOLS &  
SHOP  
SUPPLIES

WARRANTY &  
COMPANY  
POLICY

APPENDIX

S&S doesn't build anything unless it makes power and the SuperStreet does exactly that with an average of +15% gain in Hp out of the M8 Softail® models. Combine that with the perfect length and angle, clearing bags, passenger pegs and forwards! Added bonus of the SuperStreet is, it's 50 state legal, so it's warranty friendly and available in all fifty states.

**FITMENT**

- 2018–2023 HD® Street Bob®, Low Rider®, Softail Slim®, Fat Bob®, Deluxe, Sport Glide® & Heritage® models®
- 2018–2023 HD® Softail® Fat Boy®, Breakout® & FXDR® models

**FEATURES AND BENEFITS**

- Classic 2-1 styling with world famous S&S performance!
- Fits floorboard and forward controls and fits mid mounts with S&S brake pedal kit (560-0259A)
- Saddlebag support compatible! Works with OEM and similar size saddlebags (like Heritage® or Sport Glide® models)
- Full heat shields on both front and rear headers
- Stainless steel stepped header construction
- S&S engineered high performance catalyst brings legal performance to the street! (Street Legal version)
- 50 State legal for 2018–2020 Softail models! CARB EO# K-010-13
- Computer aided design and precision bending for class-leading ground clearance
- Multi-faceted machined end cap design
- Available in show quality chrome, Guardian black, and Stainless Steel finish
- Oxygen sensor ports allow use of wide band or stock O2 sensors
- Passenger peg bracket included (Fat Boy, FXDR and Breakout version. All others use OE Heritage location)
- Removable dB reducer included (Race only version)
- Made in the USA!



**NOTE:**

**Mid mounts require brake pedal kit (part # 560-0259A / msrp \$193.95)**





M8

2007-'17  
TWIN CAM  
96"/103"/110"

1999-'06  
TWIN CAM  
88"

SPORTSTER, STREET,  
NIGHTSTER, STREET ROD  
& BUELL

TOOLS &  
SHOP  
SUPPLIES

WARRANTY &  
COMPANY  
POLICY

APPENDIX



**SUPERSTREET 2-1 — STREET LEGAL\***

Fitment	Finish	Part #	MSRP
2018–2023 HD® Street Bob®, Low Rider®, Softail Slim®, Fat Bob®, Deluxe, Sport Glide® & Heritage® models®	Stainless Steel	550-0996B	\$1,669.95
	Black	550-0789B	\$1,669.95
	Chrome	550-0791B	\$1,637.95
2018–2023 HD® Softail® Fat Boy®, Breakout® & FXDR® models	Black	550-0846B	\$1,637.95
	Chrome	550-0847B	\$1,669.95

**SUPERSTREET 2-1 — RACE ONLY†**

2018–2023 HD Street Bob, Low Rider, Softail Slim, Fat Bob, Deluxe, Sport Glide & Heritage models	Black	550-0788	\$1,099.95
	Chrome	550-0790	\$1,143.95
2018–2022 HD Softail Fat Boy, Breakout & FXDR models	Black	550-0857	\$1,091.95
	Chrome	550-0858	\$1,225.95

\*Exempt from emissions tampering regulations under CARB EO# K-010-32 for all 2018–2023 Softail models with 107" or 114" engine

†FOR CLOSED COURSE COMPETITION USE ONLY. NOT INTENDED FOR STREET USE. LEGAL IN CALIFORNIA ONLY FOR RACING VEHICLES WHICH MAY NEVER BE USED, OR REGISTERED OR LICENSED FOR USE, UPON A HIGHWAY. NOT LEGAL FOR SALE OR USE NATIONWIDE ON ANY FEDERAL POLLUTION CONTROLLED MOTOR VEHICLE UNDER THE CLEAN AIR ACT.

⚠ WARNING: Cancer and Reproductive Harm – www.P65Warnings.ca.gov



Mk45 Slip-On Mufflers are the result of decades of riding, racing and tuning. Combining both a stainless steel perforated core baffle with Race-TEX cartridge packing, they create a deep rumble and improved horsepower and torque, all while adding a unique look with styled aluminum end caps.

**FITMENT**

- 2017-2022 M8 touring models
- Does not fit trike models

**FEATURES AND BENEFITS**

- Bold 4.5" design — with stainless steel perforated baffle and Race-TEX cartridge packing
- Available in show quality chrome or Guardian black finish
- Produces a deep bass rumble throughout the RPM range
- Choose Cutlass, Thruster, or Tracer end cap designs in chrome or Tuxedo Black
- Removable dB reducer
- Made in USA!



Removable dB reducer

Mk45 4.5" TOURING MUFFLERS			
Muffler Body Finish	End Cap Finish & Style	Part #	MSRP
Chrome	NEW Black Cutlass	550-1011	\$775.95
	Chrome Thruster	550-0665	\$782.95
	Black Thruster	550-0664	\$775.95
	Chrome Tracer	550-0669	\$782.95
	Highlight Machine Tracer	550-0668	\$775.95
Black	NEW Black Cutlass	550-1010	\$799.95
	Black Thruster	550-0666	\$839.95
	Highlight Machine Tracer	550-0670	\$839.95

\*Qualified manufacturer declared U.S. 50-State legal emissions replacement part on all MY 2017-2023 FL Touring models  
 ⚠️ WARNING: Cancer and Reproductive Harm – www.P65Warnings.ca.gov

**NOTE:**

Not recommended for Tri Glide® or other three wheel models including conversions due to ground clearance.



550-1010



550-0664



550-0668



550-0670



550-1011



550-0665



550-0669



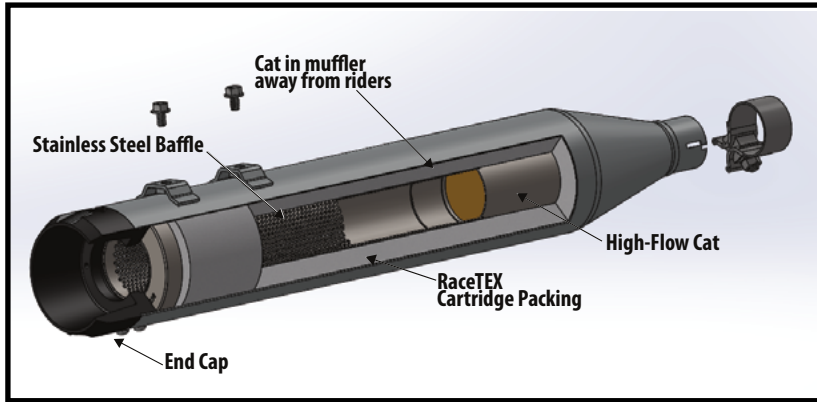
550-0666



REPLACEMENT PARTS: SEE PAGE 62



- 50 State legal—CARB compliant: EO# K-010-25
- Improved power & torque for greater rideability
- Produces a deep bass rumble throughout the RPM range
- Available in show quality chrome or Guardian black heat shields and muffler bodies
- Bold 4.5" end caps
- Tuxedo Black Thruster, Highlight Machined Tuxedo Black Tracer, as well as Chrome Tracer tip options
- Includes adapters that allow use of wide band or stock O2 sensors
- O2 sensor location same as stock
- Stainless steel header construction
- High flow cats increase exhaust flow for optimum torque
- Relocation of cats to mufflers reduces rider heat
- Made in the USA!



EL DORADO EXHAUST SYSTEM FOR 2017-'22 TOURING MODELS — STREET LEGAL			
Finish	End cap	Part #	MSRP
Chrome	Black Thruster	550-0699C	\$1,853.95
Black	Black Thruster	550-0700C	\$1,709.95
Chrome	Highlight Machined Tracer	550-0701C	\$1,889.95
Black	Highlight Machined Tracer	550-0702C	\$1,853.95
Chrome	Chrome Tracer	550-0851A	\$1,889.95

*\*NOTE: Does not fit trike models*  
 Exempt from emissions tampering regulations under CARB EO# K-010-25 for all 2017-2022 FL touring models  
 ⚠️ WARNING: Cancer and Reproductive Harm – www.P65Warnings.ca.gov

**NOTE:** Not recommended for Tri Glide® or other three wheel models including conversions due to ground clearance.



Chrome w/Chrome Tracer



Black w/Highlight Machined Tracer



Chrome w/Highlight Machined Tracer



Black w/Black Thruster



Chrome w/Black Thruster

M8

2007-'17  
TWIN CAM  
96"/103"/110"

1999-'06  
TWIN CAM  
88"

SPORTSTER, STREET,  
NIGHTSTER, STREET ROD  
& BUELL

TOOLS &  
SHOP  
SUPPLIES

WARRANTY &  
COMPANY  
POLICY

APPENDIX

REPLACEMENT PARTS: SEE PAGE 70



4" For 2017–2022 FLH Touring Models

BW

**FITMENT**

- 2017–2022 FLH touring models
- 2009–2022 trike models

**FEATURES AND BENEFITS**

- Show quality chrome or Guardian black finish
- Aggressive sound and excellent horsepower
- Race inspired Grand National end cap
- High flowing baffle design
- Removable dB reducer
- Excellent choice for trike models (See chart)
- Made in USA!



GRAND NATIONAL® SLIP-ONS — 4" MUFFLERS FOR 2017–'22 TOURING M8 ENGINES* EXCEPT FREEWHEELER® OR TRIKE MODELS		
Finish	Part #	MSRP
Chrome	550-0693	\$576.95
Black	550-0694	\$607.95
GRAND NATIONAL® — 4" MUFFLERS TOURING MUFFLERS FOR 2009–'22 TRIKE MODELS**		
Chrome	550-0689	\$576.95
Black	550-0690	\$607.95

\*Qualified manufacturer declared U.S. 50-State legal emissions replacement part on all MY 2017–2023 FL Touring models  
 \*\*NOT LEGAL FOR SALE OR USE IN CALIFORNIA ON ANY POLLUTION CONTROLLED MOTOR VEHICLES. Not legal for sale or use on EPA pollution controlled motorcycles originally equipped with mufflers containing catalyst. Qualified Manufacturer Declared Emissions Replacement Part on 2017 to 2020 Touring Trike Models Only

⚠️ WARNING: Cancer and Reproductive Harm — www.P65Warnings.ca.gov



REPLACEMENT PARTS: SEE PAGE 65





**FITMENT**

- 2017–2022 FLH touring models
- 2009–2022 trike models

**FEATURES AND BENEFITS**

- Classic slash cut styling
- Aggressive sound
- Stripped down styling
- Available in show quality chrome or Guardian black finish
- Exellcent HP
- High flowing baffle design
- Economical price
- Excellent choice for trike models (See chart)
- Removable dB reducer included
- Made in USA!



SLASH CUT SLIP-ONS — 4" TOURING MUFFLERS FOR 2017–'22 TOURING M8 ENGINES* EXCEPT TRIKE MODELS		
Finish	Part #	MSRP
Chrome	550-0695	\$525.95
Black	550-0696	\$560.95
SLASH CUT SLIP-ONS — 4" TOURING MUFFLERS FOR 2009–'22 TRIKE MODELS **		
Chrome	550-0691	\$525.95
Black	550-0692	\$560.95

\*Qualified manufacturer declared U.S. 50-State legal emissions replacement part on all MY 2017–2023 FL Touring models  
 \*\*NOT LEGAL FOR SALE OR USE IN CALIFORNIA ON ANY POLLUTION CONTROLLED MOTOR VEHICLES. Not legal for sale or use on EPA pollution controlled motorcycles originally equipped with mufflers containing catalyst. Qualified Manufacturer Declared Emissions Replacement Part on 2017 to 2019 Touring Trike Models Only  
 ⚠️ WARNING: Cancer and Reproductive Harm — www.P65Warnings.ca.gov



REPLACEMENT PARTS: SEE PAGE 65

M8

2007–'17  
TWIN CAM  
96"/103"/110"

1999–'06  
TWIN CAM  
88"

SPORTSTER, STREET,  
NIGHTSTER, STREET ROD  
& BUELL

TOOLS &  
SHOP  
SUPPLIES

WARRANTY &  
COMPANY  
POLICY

APPENDIX

For 2018–2021 HD® Fat Bob® Models

8 W

**FITMENT**

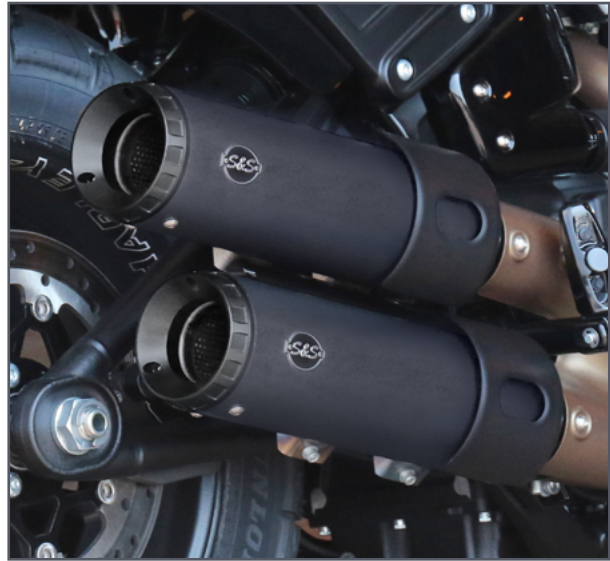
- 2018–2021 Harley-Davidson® Fat Bob® Models

**FEATURES AND BENEFITS**

- Up to 12% more horsepower and 6% more torque *(when used with Stealth Air Cleaner Kit)*
- Race inspired design
- Guardian black finish
- Deep performance rumble replaces stock whisper tone
- No mapping required
- Removable dB reducer
- Made in USA!



Removable dB reducer



GRAND NATIONAL® SLIP-ONS FOR 2018–2021 HD® FAT BOB® MODELS		
Finish	Part #	MSRP
Black	550-0734	\$524.95

\*Qualified manufacturer declared U.S. 50-State legal emissions replacement part on all MY 2018-2021 Fat Bob models.  
 ⚠️ WARNING: Cancer and Reproductive Harm – www.P65Warnings.ca.gov



REPLACEMENT PARTS: SEE PAGE 63



FOR 2018–2022 HD® Softail® MODELS  
(except Fat Bob®, Sport Glide®, & FXDR, Lowrider ST models)

S&S Grand National 3.25" Slip-ons are an instant upgrade for your M8 Softail. 50 State legal, CARB approved; they are equipped with a high-flow catalytic converter to increase flow and performance.

**FITMENT**

- Fits 2018–2022 HD® Softail® Street Bob®, Low Rider®, Slim®, Fat Boy®, Breakout®, Heritage Classic & Deluxe® models

**FEATURES AND BENEFITS**

- Race inspired Grand National end cap design
- Show quality chrome or Guardian black
- Guardian Black is exact match to OEM heat shields
- Deep performance rumble replaces stock whisper tone
- Removable dB reducer included (*Race only version*)
- Made in USA!

GRAND NATIONAL® SLIP-ONS FOR 2018–2022 M8 HD® SOFTAIL® MODELS — STREET LEGAL†			
Fitment	Muffler Body Finish	Part #	MSRP
M8 HD Softail models: Street Bob®, Low Rider®, Slim®, Fat Boy® & Breakout® models	Black	550-0754B	\$1,235.95
M8 HD Softail models: Street Bob, Low Rider, Slim, Fat Boy & Breakout models	Chrome	550-0755B	\$1,235.95
M8 HD Heritage Softail Classic & Softail Deluxe® models	Chrome	550-0757B	\$1,235.95
GRAND NATIONAL SLIP-ONS FOR 2018–2022 M8 HD® SOFTAIL® MODELS — RACE ONLY††			
M8 HD Softail models: Street Bob®, Low Rider®, Slim®, Fat Boy® & Breakout® models	Black	550-0737	\$499.95
M8 HD Softail models: Street Bob, Low Rider, Slim, Fat Boy & Breakout models	Chrome	550-0738	\$504.95
M8 HD Heritage Softail Classic & Softail Deluxe models	Chrome	550-0740	\$504.95

†Exempt from emissions tampering regulations under CARB EO# K-010-33 for all 2018–2023 Breakout, Fat Boy, Low Rider, Slim, Street Bob, Deluxe, and Heritage Classic Softail Models with the 107" or 114" Engine

††NOT LEGAL FOR SALE OR USE IN CALIFORNIA ON ANY POLLUTION CONTROLLED MOTOR VEHICLE. NOT LEGAL FOR SALE OR USE NATIONWIDE ON ANY FEDERAL POLLUTION CONTROLLED MOTOR VEHICLE UNDER THE CLEAN AIR ACT

⚠️WARNING: Cancer and Reproductive Harm — [www.P65Warnings.ca.gov](http://www.P65Warnings.ca.gov)



REPLACEMENT PARTS: SEE PAGE 64



**For 2018–2022 HD® Softail® Models**  
(Except Fat Bob®, Sport Glide®, & Fxdr, Lowrider ST Models)

BW

**FITMENT**

- Fits 2018–2022 HD® Softail® Street Bob®, Low Rider®, Slim®, Fat Boy®, Breakout®, Heritage Classic & Deluxe® models

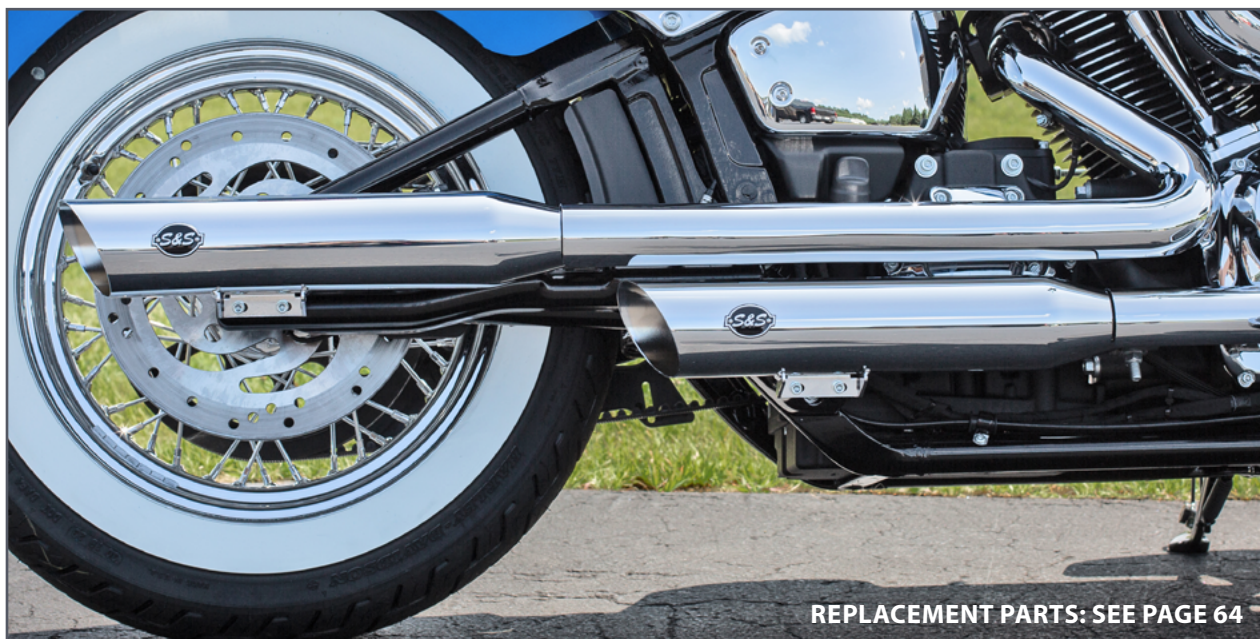
**FEATURES AND BENEFITS**

- Classic Slash Cut styling
- Show quality chrome or Guardian black
- Guardian Black is exact match to OEM heat shields
- Deep performance rumble replaces stock whisper tone
- Removable dB reducer included (*Race only version*)
- Made in USA!



SLASH CUT MUFFLERS FOR 2018–2022 HD® SOFTAIL® MODELS — STREET LEGAL†			
Fitment	Muffler Body Finish	Part #	MSRP
M8 HD Softail models: Street Bob®, Low Rider®, Slim®, Fat Boy® & Breakout® models	Black	550-0752B	\$1,205.95
M8 HD Softail models: Street Bob, Low Rider, Slim, Fat Boy & Breakout models	Chrome	550-0753B	\$1,205.95
M8 HD Heritage Softail Classic & Softail Deluxe models	Chrome	550-0756B	\$1,132.95
SLASH CUT MUFFLERS FOR 2018–2022 M8 SOFTAIL® MODELS — RACE ONLY**			
M8 HD Softail models: Street Bob®, Low Rider®, Slim®, Fat Boy® & Breakout® models	Black	550-0735	\$432.95
M8 HD Softail models: Street Bob, Low Rider, Slim, Fat Boy & Breakout models	Chrome	550-0736	\$432.95
M8 HD Heritage Softail Classic & Softail Deluxe models	Chrome	550-0739	\$440.95

†Exempt from emissions tampering regulations under CARB EO# K-010-33 for all 2018-2023 Breakout, Fat Boy, Low Rider, Slim, Street Bob, Deluxe, and Heritage Classic Softail Models with the 107" or 114" Engine  
 \*\*NOT LEGAL FOR SALE OR USE IN CALIFORNIA ON ANY POLLUTION CONTROLLED MOTOR VEHICLE. NOT LEGAL FOR SALE OR USE NATIONWIDE ON ANY FEDERAL POLLUTION CONTROLLED MOTOR VEHICLE UNDER THE CLEAN AIR ACT WARNING: Cancer and Reproductive Harm – www.P65Warnings.ca.gov



REPLACEMENT PARTS: SEE PAGE 64



**FITMENT:**

- Replacement for the El Dorado exhaust system for touring models

**FEATURES & BENEFITS:**

- Adds up to 8 horsepower over stock header pipes
- Independent dual look with hidden crossover
- Exclusive design moves the rear cylinder header away from the passenger to reduce radiated heat
- Full show quality chrome or Guardian black heat shielding with 220° coverage
- Durable 16 gauge stainless steel construction
- Spherical inlet design for improved sealing and exhaust gasket durability
- **Requires symmetrical inlet (1995–2016 style) mufflers**
- Exhaust port gaskets included
- Made in USA!



**NOTE:**

Requires symmetrical inlet (1995-2016 style) mufflers

**POWER TUNE® DUAL HEADERS FOR 2017–2021 TOURING MODELS WITH SYMMETRICAL INLET (1995–2016 STYLE) MUFFLERS**

Chrome	550-0704	\$679.95
Black	550-0705	\$744.95

NOT LEGAL FOR SALE OR USE IN CALIFORNIA ON ANY POLLUTION CONTROLLED MOTOR VEHICLE. NOT LEGAL FOR SALE OR USE NATIONWIDE ON ANY FEDERAL POLLUTION CONTROLLED MOTOR VEHICLE UNDER THE CLEAN AIR ACT

⚠️ WARNING: Cancer and Reproductive Harm – [www.P65Warnings.ca.gov](http://www.P65Warnings.ca.gov)



M8

2007–17  
TWIN CAM  
96"/103"/110"

1999–06  
TWIN CAM  
88"

SPORTSTER, STREET,  
NIGHTSTER, STREET ROD  
& BUELL

TOOLS &  
SHOP  
SUPPLIES

WARRANTY &  
COMPANY  
POLICY

APPENDIX



For 2009–2022 touring models with S&S Sidewinder® 2-1

BW

**FEATURES AND BENEFITS**

- Show quality chrome and Guardian black finish
- Shadow muffler fills left side cutout in extended bags when running Sidewinder 2-1
- Matching end caps for left and right side (not available on any of our slip-on or El Dorado products)
- 4.5" design
- Made in USA!



2009–2022 TOURING MODELS EQUIPPED WITH S&S® SIDEWINDER® 2-1		
Chrome	550-0829	\$440.95
Black	550-0831	\$436.95

**NOTE:**

Not recommended for Tri Glide® or other three wheel models including conversions due to ground clearance.

If you have . . .			...you'll need
BIKE	FINISH	SIDEWINDER PART #	SHADOW PIPE PART #
2017–2022 touring model	Chrome	550-0728	550-0829
		550-0758D	
	Black	550-0729	550-0831
		550-0759D	



REPLACEMENT PARTS: SEE PAGE 67



**FEATURES AND BENEFITS**

- EC approved with S&S performance and style
- Bold 4.5" design — with 2.5" stainless steel baffle and Race-TEX cartridge packing
- Choose Cutlass, Thruster, or Tracer end cap designs in chrome or Tuxedo Black
- Produces a deep bass rumble throughout the RPM range
- Made in USA!

Mk45 EC 4.5" SLIP-ON MUFFLERS FOR 2017–2020 TOURING MODELS			
Muffler Body Finish	End cap Finish & Style	Part #	MSRP
Chrome	Black Cutlass	550-1009	\$1,019.95
	Chrome Thruster	550-0861	\$999.95
	Black Thruster	550-0860	\$999.95
	Chrome Tracer	550-0864	\$999.95
	Highlight Machined Tracer	550-0863	\$999.95
Black	Black Cutlass	550-1008	\$1,019.95
	Black Thruster	550-0862	\$999.95
	Highlight Machined Tracer	550-0865	\$999.95

EU Compliant per 11032 G  
EC-Type Approval for non-original motorcycle noise abatement device

**NOTE:**

Not recommended for Tri Glide® or other three wheel models including conversions due to ground clearance.



M8

2007–17  
TWIN CAM  
96"/103"/110"

1999–06  
TWIN CAM  
88"

SPORTSTER, STREET,  
NIGHTSTER, STREET ROD  
& BUELL

TOOLS &  
SHOP  
SUPPLIES

WARRANTY &  
COMPANY  
POLICY

APPENDIX

REPLACEMENT PARTS: SEE PAGE 62



For 2018–2020 HD® Softtail Models

BW

**FEATURES & BENEFITS**

- EC approved with S&S performance and style
- Race inspired Grand National® end cap design or the classic slash cut design complements any bike style
- Show quality chrome or Guardian black finish
- 82mm can with perforated stainless steel baffle and Race-TEX cartridge packing
- Made in USA



GRAND NATIONAL® EC SLIP-ONS FOR 2018–2020 M8 HD® SOFTTAIL® MODELS			
DESCRIPTION	FINISH	PART NUMBER	MSRP
M8 Softail® Street Bob®, Low Rider®, Slim®, Fat Boy® & Breakout® models	Black	550-0824	\$1,239.95
M8 Softail® Street Bob, Low Rider, Slim®, Fat Boy & Breakout models	Chrome	550-0825	\$1,239.95
M8 Softail® Heritage Classic & Deluxe® models	Chrome	550-0826	\$1,239.95
EU Type-Approval: e9*134/2014*2018/295H*11028*00 for 2018-2020 Softail Models			
SLASH CUT EC SLIP-ONS FOR 2018–2020 M8 HD® SOFTTAIL® MODELS			
M8 Softail® Street Bob®, Low Rider®, Slim®, Fat Boy® & Breakout® models	Black	550-0821	\$1,239.95
M8 Softail® Street Bob, Low Rider, Slim, Fat Boy & Breakout models	Chrome	550-0822	\$1,239.95
M8 Softail® Heritage®/Deluxe® models	Chrome	550-0823	\$1,239.95
EU Type-Approval: e9*134/2014*2018/295H*11027*00 for 2018-2020 Softail Models			

REPLACEMENT PARTS: SEE PAGE 72

**European Spec EC Grand National® Slip-Ons**  
For 2018–2020 M8 Hd® Fat Bob® Softail® Models

**FEATURES AND BENEFITS**

- EC approved with S&S performance & style
- Race inspired Grand National® end cap design
- Guardian black finish
- 100mm can with perforated stainless steel baffle & Race-TEX cartridge packing
- dB reducer included



GRAND NATIONAL® EC 100MM SLIP-ON FOR 2018–2020 HD® SOFTTAIL® FAT BOB® MODELS		
Finish	Part #	MSRP
Black	550-0827	\$579.95
EU Type-Approval: e9*134/2014*2018/295G*11029*00 for 2018-2020 Fat Bob		



Air flow is everything in a performance engine and naturally, it begins at the air filter. Factory units are downright boxy and can be very restrictive. The S&S Cycle Tuned Induction Air Cleaner uses two laser cut and highly engineered tubes merged into a single collector and fed by a pair of high flow air filters placed directly in unobstructed air stream. The end result is maximum performance for your engine and a stylish package.

- Bolt-on performance—over twice the filtering area over stock intake system
- Increases horsepower and torque across the rpm range using air column inertia and carefully timed gas dynamic pressure waves
- Smooth intake tract of carefully selected tuned lengths increases performance
- High flow washable and reusable cotton media filter elements provide performance, protection, and economy
- Available in chrome, gloss black powder coat, or brushed stainless steel finish
- Water resistant rain socks also available (*part # 106-0248*)

TUNED INDUCTION AIR CLEANER KIT		
Finish	Part #	MSRP
Gloss Black	<b>170-0567A</b>	\$463.95
Chrome	<b>170-0566A</b>	\$472.95
Stainless Steel	<b>170-0565A</b>	\$463.95

Exempt from emissions tampering regulations under CARB EO# D-355-37  
 ⚠ WARNING: Cancer and Reproductive Harm — [www.P65Warnings.ca.gov](http://www.P65Warnings.ca.gov)

**Gloss Black**



**Chrome**



**NOTE:**

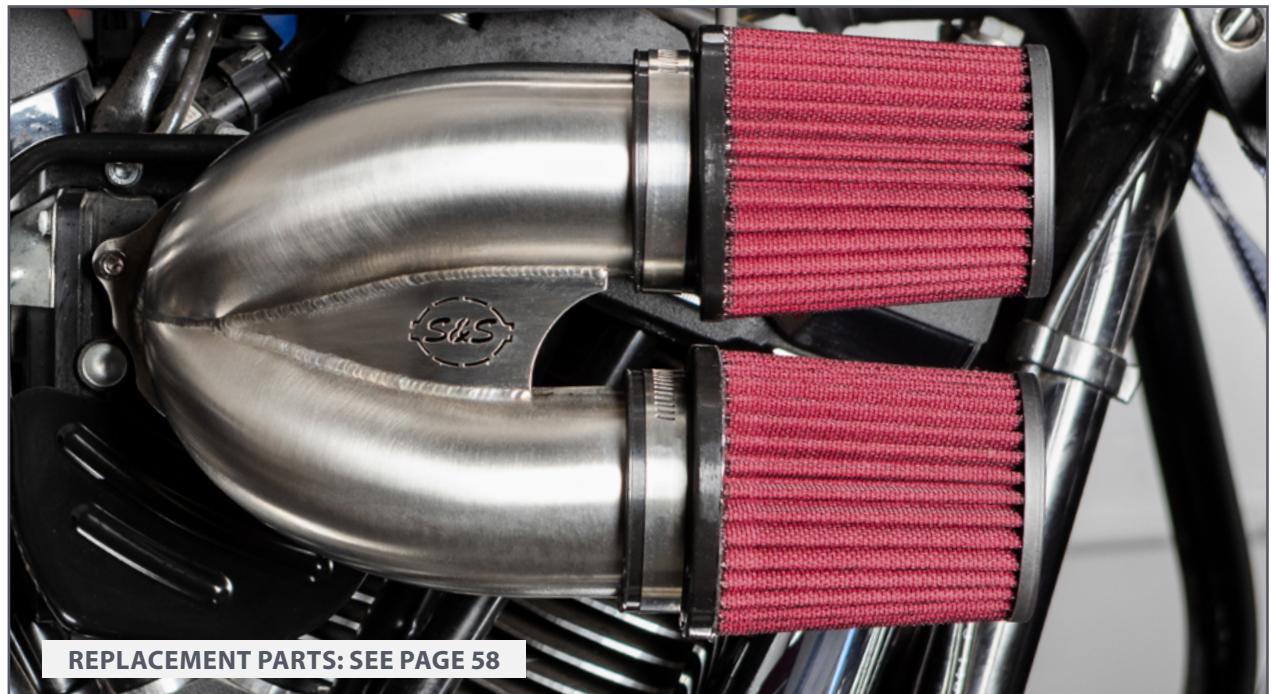
SE 64mm Throttle Body requires part #170-0640 (MSRP \$26.95) Support Bracket sold separately.

**NOTE:**

The Tuned Induction System will not fit on motorcycles equipped with fairing lower glove boxes or Twin-Cooled™ models



**Stainless Steel**



REPLACEMENT PARTS: SEE PAGE 58



BW



**FITMENT**

- 2017-'21 M8 Touring and 2018-'23 Softail®

**FEATURES AND BENEFITS**

- Smokey chrome with all the reflective qualities of traditional chromium
- Available in traditional teardrop or mini teardrop
- Stealth intake provides 38% increase in flow
- High-strength synthetic polymer backplate — Designed to reduce heat transfer to intake air
- Cooler, denser air allows for more efficient cylinder fill and better performance
- Easy Installation
- Washable filter element
- Rain socks are available
- 50-State Legal
- Exempt from emissions tampering regulations under CARB EO# D-355-44

**NOTE:**

SE 64mm Throttle Body requires part #170-0640 (MSRP \$26.95) Support Bracket sold separately.



AIR CLEANER KITS		
Description	Part #	MSRP
Lava Chrome Stealth Teardrop Air Cleaner Cover	170-0779	\$199.95
Lava Chrome Stealth Mini Teardrop Air Cleaner Cover	170-0780	\$199.95
Lava Chrome Stealth Teardrop Air Cleaner Kit for 2017-'23 M8 Touring, 2018-'21 Softail® <i>Uses 170-0354C Stealth Kit with CARB EO# D-355-41 for a Stock Bore Throttle Body</i>	170-0781	\$369.95
Lava Chrome Stealth Mini Teardrop Air Cleaner Kit for 2017-'23 M8 Touring, 2018-'21 Softail® <i>Uses 170-0354C Stealth Kit with CARB EO# D-355-41 for a Stock Bore Throttle Body</i>	170-0782	\$369.95

EXEMPT FROM EMISSIONS TAMPERING REGULATIONS UNDER CARB EO# D-355-44





**FITMENT**

- 2017–2023 Harley-Davidson® models with Milwaukee-Eight® engine
- Works with Screamin' Eagle® 64mm throttle body



**FEATURES AND BENEFITS**

- Use with any S&S Stealth cover (see page 28)
- Use with your stock Harley-Davidson Milwaukee-Eight engine air cleaner cover (Adapter required — see below)
- High flow (1" taller) filter kit available (P/N 170-0127)
- Backplate made from high-strength advanced synthetic polymer—reduces heat transfer to intake air
- Cooler, denser air allows for more efficient cylinder fill and better performance
- Included actuator cover—hides TBW servo motor for a clean, attractive installation

**AIR STINGER STEALTH AIR CLEANER KITS**

The Air Stinger takes the existing high flow Stealth air cleaner and replaces the air smoothing stinger with a similarly shaped filter element. More filter surface equals 55% gain over a factory filter. Available with the classic Mini Teardrop cover in black or chrome or as a replacement cover plate to update your existing Stealth system.

Description	Part #	MSRP
Air Stinger Teardrop in Gloss Black	170-0718A	\$407.95
Air Stinger Teardrop in Chrome	170-0717A	\$407.95
Air Stinger S&S Brushed Ring	170-0714A	\$236.95
<b>AIR STINGER FILTER ONLY</b>	<b>170-0723A</b>	<b>\$71.95</b>

EXEMPT FROM EMISSIONS TAMPERING REGULATIONS UNDER CARB EO# D-355-45

**STEALTH AIR CLEANER KITS INCLUDES KIT 170-0354C**

EXEMPT FROM EMISSIONS TAMPERING REGULATIONS UNDER CARB EO# D-355-44

Description	Part #	MSRP
Tribute in Chrome	170-0595A	\$377.95
Tribute in Gloss Black	170-0598A	\$377.95
Carbon Fiber Teardrop	170-0498B	\$550.95
Teardrop in Chrome	170-0524B	\$377.95
Teardrop in Gloss Black	170-0525B	\$377.95
Mini Cover in Chrome	170-0435C	\$377.95
Mini Cover in Gloss Black	170-0436C	\$377.95
Airstream in Chrome	170-0390C	\$377.95
Airstream in Gloss Black	170-0397C	\$391.95
Tri-Spoke	170-0392C	\$387.95
Torker	170-0393C	\$377.95
Air 1	170-0394C	\$377.95

**KIT ONLY — NO COVER**

Stealth Air Cleaner Kit for Stock M8 and 64mm throttle body	170-0354C	\$205.95
Adapter for Stock (Center Bolt) M8 Air Cleaner Cover	170-0352	\$71.95

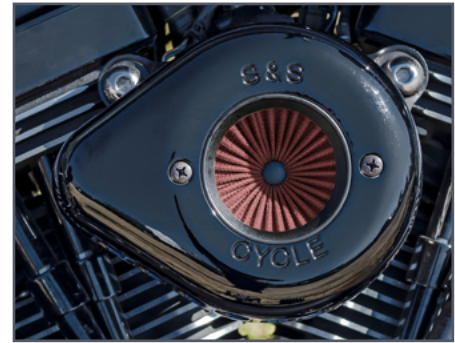
WARNING: Cancer and Reproductive Harm — www.P65Warnings.ca.gov



The S&S Stealth air cleaner backplate in this kit is made from the same high-strength advanced synthetic polymers used in high performance automotive intake manifolds and high-end handgun bodies! This material offers superior mechanical properties, thermal stability, and chemical resistance. Designed to reduce heat transfer to the intake air for more efficient induction.



REPLACEMENT PARTS: SEE PAGE 59



M8

2007-17  
TWIN CAM  
96"/103"/110"

1999-06  
TWIN CAM  
88"

SPORTSTER, STREET,  
NIGHTSTER, STREET ROD  
& BUILL

TOOLS &  
SHOP  
SUPPLIES

WARRANTY &  
COMPANY  
POLICY

APPENDIX



For Europe

- 2018–'20 M8 Softail® models (e9 11026G)
- 2017–'20 M8 touring models



REPLACEMENT PARTS: SEE PAGE 59

EC STEALTH AC KITS	
2018–'20 M8 Softail® models - cover sold separately	170-0521
2017–'20 M8 touring models - cover sold separately	170-0521
EU Type-Approval: e9*134/2014*2018/295G*11026*01 for 2017-2020 107" and 114" Softail and Touring	

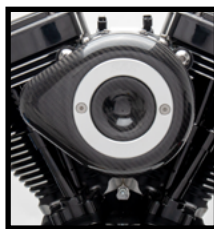
Stealth Air Cleaner Covers (Only)



Tribute in Gloss Black



Teardrop



Carbon Fiber



Mini in Gloss Black



Tri-Spoke



Torker



Air 1



Airstream in Chrome



Airstream in Gloss Black

STEALTH COVERS								
Tribute		Teardrop		Teardrop—Slasher		Carbon Fiber	Mini	
Chrome	Gloss Black	Chrome	Gloss Black	Chrome	Gloss Black	Black	Chrome	Gloss Black
170-0592	170-0593	170-0530	170-0531	170-0532	170-0533	170-0501	170-0367	170-0366
\$203.95	\$203.95	\$205.95	\$203.95	\$216.95	\$214.95	\$356.95	\$203.95	\$203.95
Tri-Spoke	Torker	Air 1	Airstream		Displacement			
Gloss Black w/Highlights	Gloss Black w/Highlights	Gloss Black w/Highlights	Chrome	Gloss Black	111	124	143	
170-0210	170-0206	170-0214	170-0118	170-0396	170-0319	170-0321	170-0323	
\$193.95	\$193.95	\$193.95	\$193.95	\$195.95	\$203.95	\$203.95	\$203.95	

⚠ WARNING: Cancer and Reproductive Harm – www.P65Warnings.ca.gov



**FITMENT**

- S&S® Air Stinger & Stealth Air Filters

**FEATURES AND BENEFITS**

- Water resistant
- Prevents large debris from prematurely clogging filter
- Washable Nylon
- Promotes longer filter life
- Reduces the risk of water entering air intake system



170-0748

AIR STINGER PRE-FILTERS		
Fitment	Part #	MSRP
Teardrop	170-0747	\$61.95
Ring	170-0748	\$61.95
STEALTH PRE-FILTERS		
Standard	170-0193	\$61.95
1" Tall	170-0197	\$61.95



170-0197



170-0747

**High Flow Air Filter Kits**

**FITMENT**

- S&S Stealth Air Cleaners

**FEATURES AND BENEFITS**

- Low restriction filter element comes pre-oiled for true plug and play installation
- 1" wider filtration area provides up to 37% more airflow over standard S&S filters
- Resulting band of exposed filter material imparts a high performance look

**KIT CONTENTS**

- Wide filter
- Filter spacers



HIGH FLOW AIR FILTERS			
Description	Fitment	Part #	MSRP
High Flow Air Filter Kit <i>(includes spacers)</i>	Stealth, 1" Taller	170-0127*	\$91.95
1" Taller Filter Only	Stealth	170-0154	\$61.95
Spacer	Classic Teardrop & Stealth, 1" Taller	50-5009-S	\$19.95

\*NOT LEGAL FOR SALE OR USE IN CALIFORNIA ON ANY POLLUTION CONTROLLED MOTOR VEHICLE. NOT LEGAL FOR SALE OR USE NATIONWIDE ON ANY FEDERAL POLLUTION CONTROLLED MOTOR VEHICLE UNDER THE CLEAN AIR ACT

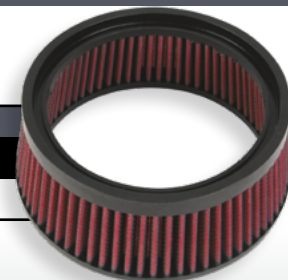
**Standard Replacement Filters**

**FITMENT**

- S&S Stealth Air Cleaners

**STANDARD REPLACEMENT AIR FILTERS**

Fitment	Part #	MSRP
Stealth	170-0126	\$61.95



M8

2007-'17  
TWIN CAM  
96"/103"/110"

1999-'06  
TWIN CAM  
88"

SPORTSTER, STREET,  
NIGHTSTER, STREET ROD  
& BUELL

TOOLS &  
SHOP  
SUPPLIES

WARRANTY &  
COMPANY  
POLICY

APPENDIX

**FITMENT:**

- 2017–2021 touring models
- 2018–2021 Softail® models

**FEATURES AND BENEFITS:**

- Huge bore increase (4.320") means huge power increase
- 11:1 Compression Ratio
- Works with stock crankcases
- Original engine serial numbers are retained
- Powder coat finish match factory finish, giving the bike a "sleeper" advantage
- MLS (multi-layered steel) head gaskets
- Retains stock engine height
- Includes Cam Cover Badge

129 & 132 KITS FOR 2017–UP TOURING MODELS				
Displacement	Stroke	Finish	Part #	
<b>129"</b>	4.375"	Wrinkle Black with Highlighted Fins	<b>910-0843</b>	<b>\$1,544.95</b>
	4.375"	Wrinkle Black with Non-Highlighted Fins	<b>910-0844</b>	<b>\$1,544.95</b>
<b>132"</b>	4.500"	Wrinkle Black with Highlighted Fins	<b>910-0845</b>	<b>\$1,544.95</b>
	4.500	Wrinkle Black with Non-Highlighted Fins	<b>910-0846</b>	<b>\$1,544.95</b>
	4.500	Black Granite with Highlighted Fins	<b>910-0847</b>	<b>\$1,647.95</b>

FOR CLOSED COURSE COMPETITION USE ONLY. NOT INTENDED FOR STREET USE. LEGAL IN CALIFORNIA ONLY FOR RACING VEHICLES WHICH MAY NEVER BE USED, OR REGISTERED OR LICENSED FOR USE, UPON A HIGHWAY. NOT LEGAL FOR SALE OR USE NATIONWIDE ON ANY FEDERAL POLLUTION CONTROLLED MOTOR VEHICLE UNDER THE CLEAN AIR ACT.





**FITMENT:**

- 2017–2021 touring models
- 2018–2021 Softail® models

**FEATURES AND BENEFITS:**

- 107" to 124" Big Bore Kit
- 114" to 128" Big Bore Kit
- 114" & 117" CVO™ to 128" Big Bore Kit
- 4.250" bore
- Forged pistons
- 11:1 compression ratio
- Wrinkle black or black granite finish
- Available with or without highlighted fins
- Bolt-on kit — *No machining required*
- Includes head, base, & exhaust gaskets and hardware

**SPECS FOR 124" & 128" BIG BORE KITS**

Displacement	Bore	Stroke	Piston Type	Compression Ratio
124"	4.250	4.375	Forged	11.1
128"	4.250	4.5	Forged	11.1

**NOTE:**

S&S does not recommend compression ratios higher than 10:1 for Tri Glide® or other three wheel models (including conversions) due to extra loads caused by the lugging nature of these bikes. Detonation and subsequent engine damage may result.

**124" & 128" BIG BORE KITS FOR 2017–2021 TOURING MODELS & 2018–UP SOFTAIL® MODELS**

Displacement	Finish	Part #	MSRP
124"	Wrinkle Black with Non-Highlighted Fins	910-0681	\$1,561.95
	Wrinkle Black with Highlighted Fins	910-0625	\$1,561.95
128"	Wrinkle Black with Non-Highlighted Fins	910-0685	\$1,561.95
	Wrinkle Black with Highlighted Fins	910-0684	\$1,561.95
	Black Granite with Highlighted Fins	910-0733	\$1,559.95

FOR CLOSED COURSE COMPETITION USE ONLY. NOT INTENDED FOR STREET USE. LEGAL IN CALIFORNIA ONLY FOR RACING VEHICLES WHICH MAY NEVER BE USED, OR REGISTERED OR LICENSED FOR USE, UPON A HIGHWAY. NOT LEGAL FOR SALE OR USE NATIONWIDE ON ANY FEDERAL POLLUTION CONTROLLED MOTOR VEHICLE UNDER THE CLEAN AIR ACT.





**FEATURES AND BENEFITS:**

- Huge displacement increase means huge power increase
- 11:1 Compression Ratio
- Works with stock crankcases, cylinder heads, oil pump, and cam plate can be reused, saving hundreds of dollars
- Original engine serial numbers are retained
- Powder coat finish match factory finish, giving bike a "sleeper" advantage
- .030" MLS (multi-layered steel) head gaskets
- Retains stock engine height
- Includes 131" Cam Cover Badge
- Must be used with our stroker flywheels to achieve 131" displacement (see page 40)

**CYLINDER & PISTON KITS FOR 2017–UP TOURING MODELS & 2018–2021 SOFTAIL® MODELS**

Displacement	Finish	Part #	MSRP
131"	Wrinkle Black with Non-Highlighted Fins	910-0763	\$1,559.95
	Wrinkle Black with Highlighted Fins	910-0762	\$1,559.95
	Black Granite with Highlighted Fins	910-0764	\$1,559.95

NOT LEGAL FOR SALE OR USE IN CALIFORNIA ON ANY POLLUTION CONTROLLED MOTOR VEHICLE. NOT LEGAL FOR SALE OR USE NATIONWIDE ON ANY FEDERAL POLLUTION CONTROLLED MOTOR VEHICLE UNDER THE CLEAN AIR ACT

**NOTE:**

See our 131" flywheels on page 40



**Big bore Cylinders**

Individual cylinders and cylinder sets without pistons are bored slightly under normal size and are not honed.

**FITMENT:**

- 2017–2021 touring models
- 2018–2021 Softail® models

**FEATURES AND BENEFITS:**

- 4.250" Bore
- Wrinkle black or black granite finish
- Available with or without highlighted fins

**CYLINDER SETS**

Displacement	Finish	Part #	MSRP
124"	Wrinkle Black with Non-Highlighted Fins	910-0683	\$948.95
128"	Wrinkle Black with Highlighted Fins	910-0682	\$948.95
131"	Black Granite with Highlighted Fins	910-0739	\$948.95

FOR CLOSED COURSE COMPETITION USE ONLY. NOT INTENDED FOR STREET USE. LEGAL IN CALIFORNIA ONLY FOR RACING VEHICLES WHICH MAY NEVER BE USED, OR REGISTERED OR LICENSED FOR USE, UPON A HIGHWAY. NOT LEGAL FOR SALE OR USE NATIONWIDE ON ANY FEDERAL POLLUTION CONTROLLED MOTOR VEHICLE UNDER THE CLEAN AIR ACT.





**FEATURES AND BENEFITS:**

- Piston kits include set of pistons, rings, wristpins, and clips



4.250" BORE PISTON KIT FOR M8 MODELS						
Displacement	Deck Height	Stroke	Standard	MSRP	+010	MSRP
124" / 4.3cc Dished	1.143"	4.375"	920-0135	\$629.95	920-0141	\$629.95
128" / 7.3cc Dished	1.0805"	4.500"	920-0140	\$629.95	920-0142	\$617.95
131" / 10.3cc Dished	1.0805"	4.625"	920-0149	\$629.95	920-0148	\$629.95

FOR CLOSED COURSE COMPETITION USE ONLY. NOT INTENDED FOR STREET USE. LEGAL IN CALIFORNIA ONLY FOR RACING VEHICLES WHICH MAY NEVER BE USED, OR REGISTERED OR LICENSED FOR USE, UPON A HIGHWAY. NOT LEGAL FOR SALE OR USE NATIONWIDE ON ANY FEDERAL POLLUTION CONTROLLED MOTOR VEHICLE UNDER THE CLEAN AIR ACT.

4.320 BORE PISTON KIT FOR M8 MODELS				
Displacement	Deck Height	Stroke	Standard	MSRP
129" / 5.0 cc Dished	1.143	4.375"	920-0150	\$724.95
132" / 10.5 cc Dished	1.0805	4.500"	920-0151	\$731.95
136"/10.5cc Dished	1.805	4.625"	920-0160	\$709.95

NOT LEGAL FOR SALE OR USE IN CALIFORNIA ON ANY POLLUTION CONTROLLED MOTOR VEHICLE. NOT LEGAL FOR SALE OR USE NATIONWIDE ON ANY FEDERAL POLLUTION CONTROLLED MOTOR VEHICLE UNDER THE CLEAN AIR ACT

GASKET KIT				
Description	Thickness	Qty	Part #	MSRP
Head gasket / 4.250" Bore / Stock bolt pattern	.030"	2	930-0140	\$101.95
Head gasket / 4.320" Bore / Stock bolt pattern	.030"	1	900-1079	\$49.95
Head gasket for 136" / 4.320" Bore / Stock bolt pattern	.040"	1	900-0160	\$45.95
Base gasket / Stock to 4.320" Bore / Stock bolt pattern	.014"	2	930-0139	\$61.95
Gasket Kit / includes Head, Base, & Exhaust / 4.25" Bore			900-0955	\$164.95
Gasket Kit / includes Head, Base, & Exhaust / 4.32" Bore			900-1100	\$234.95
Gasket, Kit, Stock Bolt Pattern, For 136", 4.320" Bore, 4.625" Stroke, 2017-up M8 Models			900-1101	\$234.95
Plug			500-0835	\$14.95
Cylinder Dowel Pin		4	500-0849	\$14.95
<b>HARDWARE KIT</b>			910-0677	\$40.95

REPLACEMENT PARTS FOR PISTONS				
DESCRIPTION		BORE	PART #	MSRP
Piston Ring Set (Standard)	1 Pack	4.25"	940-0059	\$91.95
Piston Ring Set (Standard)	2 Pack	4.25"	940-0060	\$163.95
Piston +.010" Ring Set	2 Pack	4.25"	940-0062	\$163.95
Piston Ring Set (Standard)	1 Pack	4.320"	940-0066	\$91.95
Piston Ring Set (Standard)	2 Pack	4.320"	940-0067	\$172.95
Wristpin Keeper			94-9278-S	\$7.95
Wristpin, .927" x 2.500"			940-0037	\$27.95



M8

2007-'17  
TWIN CAM  
96"/103"/110"

1999-'06  
TWIN CAM  
88"

SPORTSTER, STREET,  
NIGHTSTER, STREET ROD  
& BIJEL

TOOLS &  
SHOP  
SUPPLIES

WARRANTY &  
COMPANY  
POLICY

APPENDIX

**107" TO 124" BIG BORE KIT:**

- Available with or without fin highlighting
- Bolt-on kit — *No case machining required*
- 4.250" bore
- Forged pistons
- 11.1 Compression ratio

**OIL PUMP/CAM PLATE:**

- Precision machined from billet aluminum
- Passage plugs removable for servicing
- Independent scavenge sections for flywheel cavity and cam chest
- Debris screens in both scavenge pickups
- Magnet in cam chest to help to stop debris from entering oil pump
- 44% flow increase on supply side & 58% flow increase on scavenge side
- Pressure relief valve is adjustable with unit installed in engine
- Kits now include updated oil pump with groove for optional OEM oil seal

**PUSHRODS:**

- Quickee pushrods
- Chrome or gloss black pushrod tubes available

**TAPPETS:**

- Hand assembled to exacting tolerances
- Reduced valve train noise from start up to shut down
- Close tolerances for low leak down rates
- Fast pump up and superior high RPM performance

**TAPPET CUFFS:**

- Hard anodized black coating
- Billet aluminum construction
- Improve tappet stability in high lift & high rpm situations

**CAM:**

- S&S 550 cam—*Designed for big bore applications*
- Available in both gear drive & chain drive variations
- Gear drive kits provide improved cam timing accuracy & eliminate stock chain tensioner
- Gear drive kits include outer drive gears

**VALVE SPRINGS:**

- Works well with cams up to .605 lift
- High performance conical single wire spring
- Includes top collars, keepers, & valve seals/bottom collars

**CAM CHAIN TENSIONER:**

- Comes with Chain Drive Kits
- Precision Machined from Billet Aluminum
- Thicker shoe for longer wear
- Direct chain oiling
- Larger piston for more consistent pressure
- Tighter tolerances improves stability

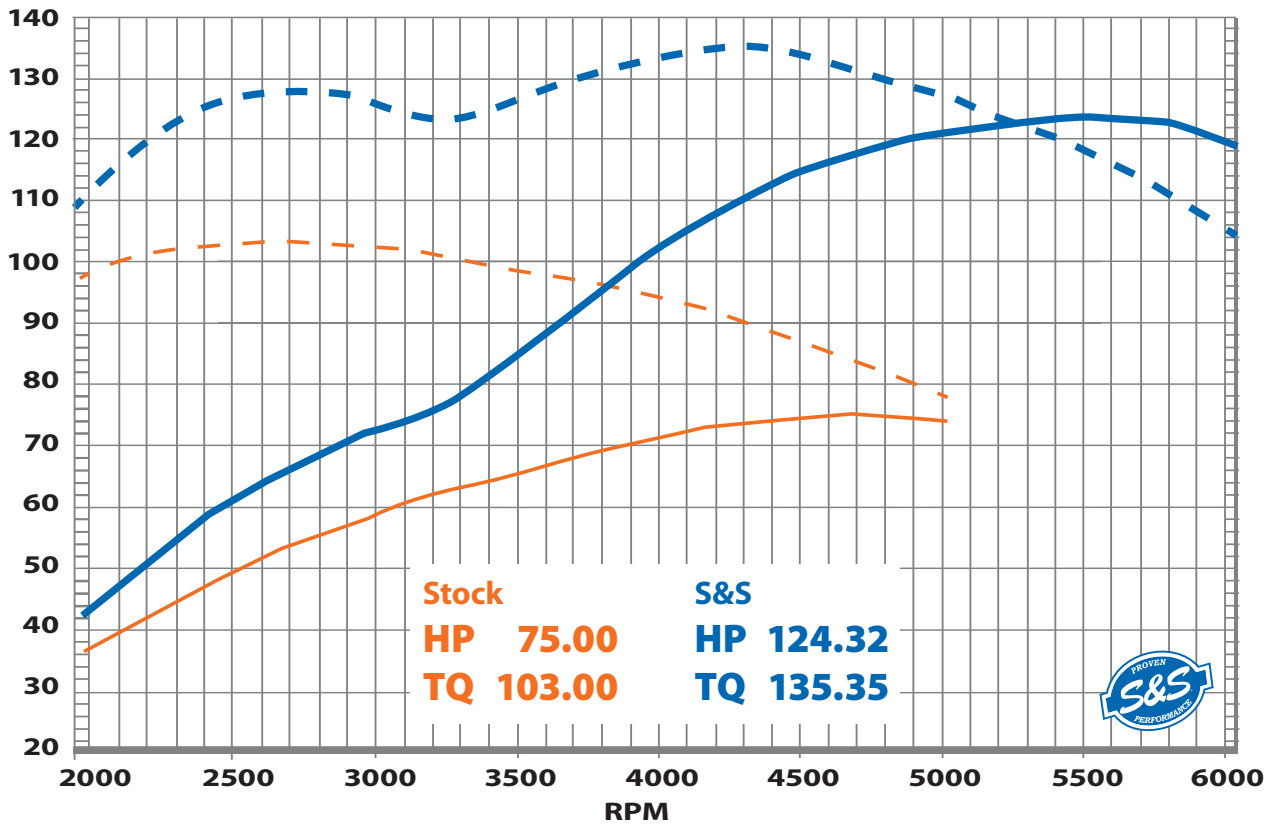
**NOTE:**

S&S does not recommend compression ratios higher than 10:1 for Tri Glide® or other three wheel models (including conversions) due to extra loads caused by the lugging nature of these bikes. Detonation and subsequent engine damage may result.



124" POWER PACKAGE KIT FOR 2017 TOURING MODELS & ALL 2018-UP HD® MODELS WITH 107" ENGINE					
Cooling System	Finish	Drive	Pushrod Tubes	Part #	MSRP
Oil	Wrinkle Black with Highlighted Fins	Chain	Chrome	310-1052B	\$3,265.95
Oil	Wrinkle Black with Highlighted Fins	Gear	Chrome	310-1053A	\$3,460.95
Oil	Wrinkle Black with Highlighted Fins	Chain	Black	310-1056B	\$3,265.95
Oil	Wrinkle Black with Highlighted Fins	Gear	Black	310-1058A	\$3,460.95
Oil	Wrinkle Black with Non-Highlighted Fins	Chain	Black	310-1057B	\$3,265.95
Oil	Wrinkle Black with Non-Highlighted Fins	Gear	Black	310-1059A	\$3,695.95
Water	Wrinkle Black with Highlighted Fins	Chain	Chrome	310-1050B	\$3,265.95
Water	Wrinkle Black with Highlighted Fins	Gear	Chrome	310-1051A	\$3,460.95
Water	Wrinkle Black with Highlighted Fins	Chain	Black	310-1054B	\$3,265.95
Water	Wrinkle Black with Highlighted Fins	Gear	Black	310-1055A	\$3,427.95

FOR CLOSED COURSE COMPETITION USE ONLY. NOT INTENDED FOR STREET USE. LEGAL IN CALIFORNIA ONLY FOR RACING VEHICLES WHICH MAY NEVER BE USED, OR REGISTERED OR LICENSED FOR USE, UPON A HIGHWAY. NOT LEGAL FOR SALE OR USE NATIONWIDE ON ANY FEDERAL POLLUTION CONTROLLED MOTOR VEHICLE UNDER THE CLEAN AIR ACT.



On a 2017 HD® Limited— with Power Tune® Duals, Mk45 Exhaust, & Stealth Air Cleaner Kit

M8

2007-17  
TWIN CAM  
96"/103"/110"

1999-06  
TWIN CAM  
88"

SPORTSTER, STREET,  
NIGHTSTER, STREET ROD  
& BUELL

TOOLS &  
SHOP  
SUPPLIES

WARRANTY &  
COMPANY  
POLICY

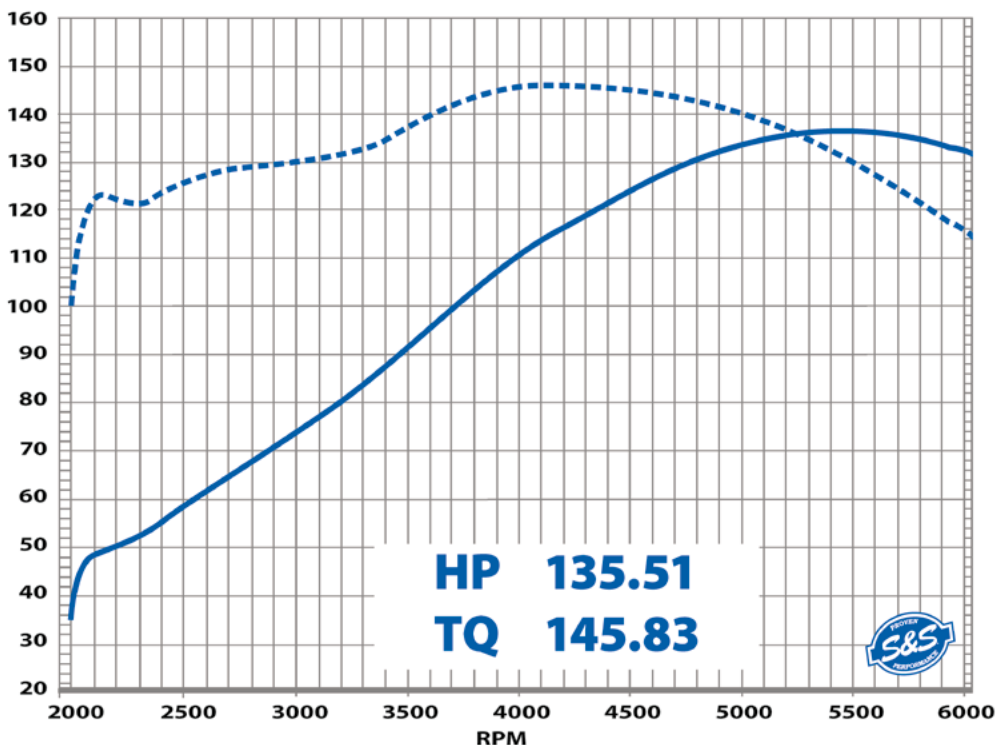
APPENDIX



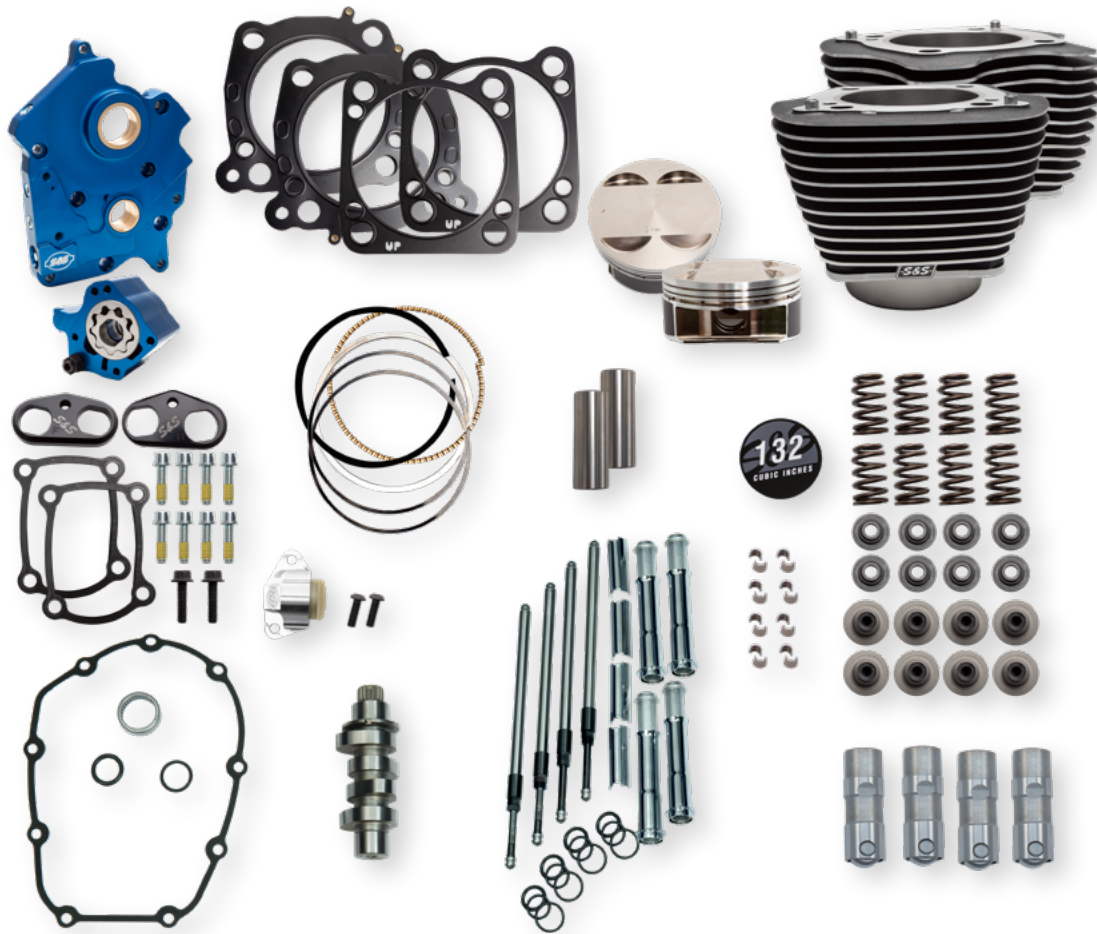
The S&S Power Package is the ideal combination of performance and savings designed to transform your engine from mild to wild. The latest kits combine our biggest big bore cylinders (4.32") with matched 550 cam/cam-plate/oil pump and everything else a high performance cam chest needs to make big, reliable horsepower. Transform your 107" to 129" and your 114/117" to a 132" monster.

- Now available with 129" and 132" Big Bore pistons/cylinders
- 550 lift cam for the ideal combination of HP & Torq
- Works with stock crankcases
- Available with black or chrome pushrod tubes
- Powder coat finish matched to factory
- MLS (multi-layered steel) head gaskets
- Includes tappets, tappet cuffs & high lift springs
- Includes 129 or 132 Cam Cover Badge

### S&S® 132" Big Bore Kit using stock heads



132 Power Pack, Stock Heads, 550 Cam, Stealth AC, Stock Throttle Body, S&S Manifold, Power Tune Duals, MK45 Muffler



**129" AND 132" POWER PACK PERFORMANCE KITS**

Description	Cooling	Drive Type	Pushrod Finish	Part #	MSRP
129" Black W/Highlight	Oil	Chain	Chrome	310-1223	\$3,359.95
129" Black W/Highlight	Oil	Gear	Chrome	310-1224	\$3,559.95
129" Black W/Highlight	Oil	Chain	Black	310-1225	\$3,359.95
129" Black Without Highlight	Oil	Chain	Black	310-1226	\$3,359.95
129" Black W/Highlight	Oil	Gear	Black	310-1227	\$3,559.95
129" Black Without Highlight	Oil	Gear	Black	310-1228	\$3,559.95
132" Black W/Highlight	Water	Chain	Chrome	310-1229	\$3,359.95
132" Black W/Highlight	Water	Gear	Chrome	310-1230	\$3,559.95
132" Black W/Highlight	Oil	Chain	Chrome	310-1231	\$3,359.95
132" Black W/Highlight	Oil	Gear	Chrome	310-1232	\$3,559.95
132" Black Without Highlight	Oil	Chain	Chrome	310-1233	\$3,359.95
132" Black Without Highlight	Oil	Gear	Chrome	310-1234	\$3,559.95
132" Black Granite W/Highlight	Water	Chain	Chrome	310-1235	\$3,359.95
132" Black Granite W/Highlight	Water	Gear	Chrome	310-1236	\$3,559.95
132" Black Granite W/Highlight	Oil	Chain	Chrome	310-1237	\$3,359.95
132" Black Granite W/Highlight	Oil	Gear	Chrome	310-1238	\$3,559.95

FOR CLOSED COURSE COMPETITION USE ONLY. NOT INTENDED FOR STREET USE. LEGAL IN CALIFORNIA ONLY FOR RACING VEHICLES WHICH MAY NEVER BE USED, OR REGISTERED OR LICENSED FOR USE, UPON A HIGHWAY. NOT LEGAL FOR SALE OR USE NATIONWIDE ON ANY FEDERAL POLLUTION CONTROLLED MOTOR VEHICLE UNDER THE CLEAN AIR ACT.

M8

2007-'17  
TWIN CAM  
96"/103"/110"

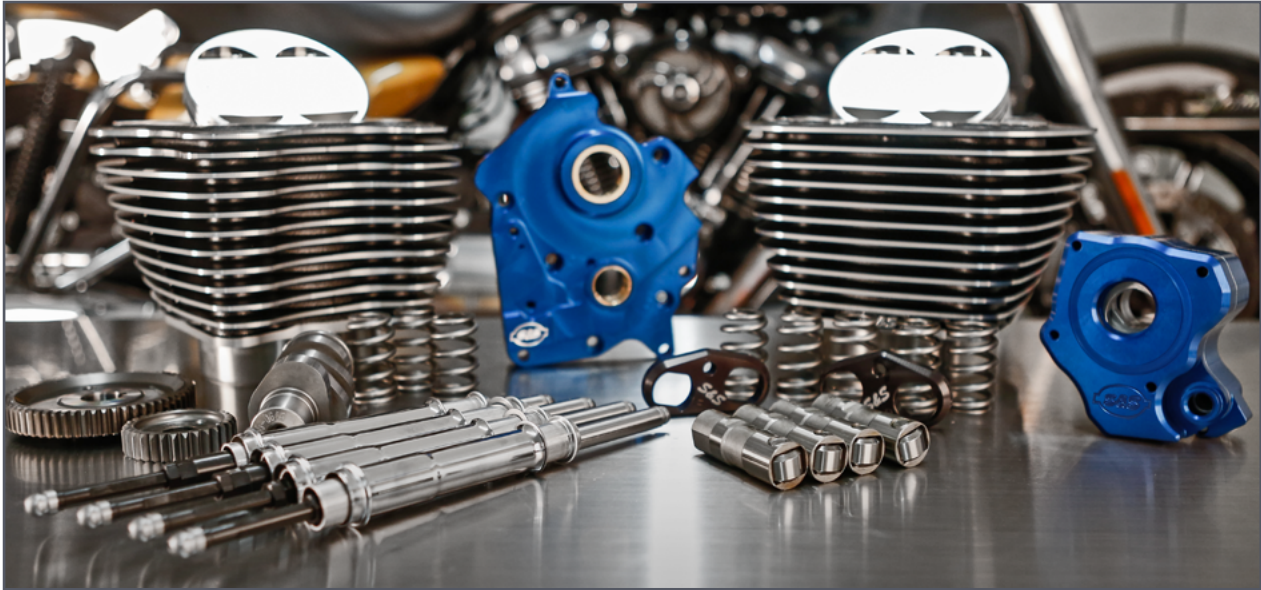
1999-'06  
TWIN CAM  
88"

SPORTSTER, STREET,  
NIGHTSTER, STREET ROD  
& BUJELL

TOOLS &  
SHOP  
SUPPLIES

WARRANTY &  
COMPANY  
POLICY

APPENDIX

**114" TO 128" BIG BORE KIT &****114" & 117" CVO TO 128" BIG BORE KIT:**

- Wrinkle black or black granite finish
- Available with or without fin highlighting for wrinkle black
- Bolt-on kit — No case machining required
- 4.250" Bore
- Forged pistons
- 11.1:1 Compression ratio

**OIL PUMP/CAM PLATE:**

- Precision machined from billet aluminum
- Passage plugs removable for servicing
- Independent scavenge sections for flywheel cavity & cam chest
- Debris screens in both scavenge pickups
- Magnet in cam chest to help to stop debris from entering oil pump
- Increased flow capacity on both feed & scavenge side
- Pressure relief valve is adjustable with unit installed in engine
- Kits now include updated oil pump with groove for optional OEM oil seal

**PUSHRODS:**

- Quickee pushrods with chrome covers

**TAPPETS:**

- Hand assembled to exacting tolerances
- Reduced valve train noise from start up to shut down
- Close tolerances for low leak down rates
- Fast pump up and superior high RPM performance

**TAPPET CUFFS:**

- Hard anodized black coating
- Billet aluminum construction
- Stronger than stock material eliminates distortion
- Improve tappet stability in high lift & high rpm situations

**CAM:**

- S&S 550 cam—Designed for big bore applications
- Available in both gear drive & chain drive variations
- Gear drive kits provide improved cam timing accuracy & eliminate stock chain tensioner
- Gear drive kits include outer drive gears

**VALVE SPRINGS:**

- Work well with cams up to .605 Lift
- High performance conical single wire spring
- Includes top collars, keepers, & valve seals/bottom collars

**CAM CHAIN TENSIONER:**

- Comes with Chain Drive Kits
- Precision Machined from Billet Aluminum
- Thicker shoe for longer wear
- Direct chain oiling
- Larger piston for more consistent pressure
- Tighter tolerances improves stability

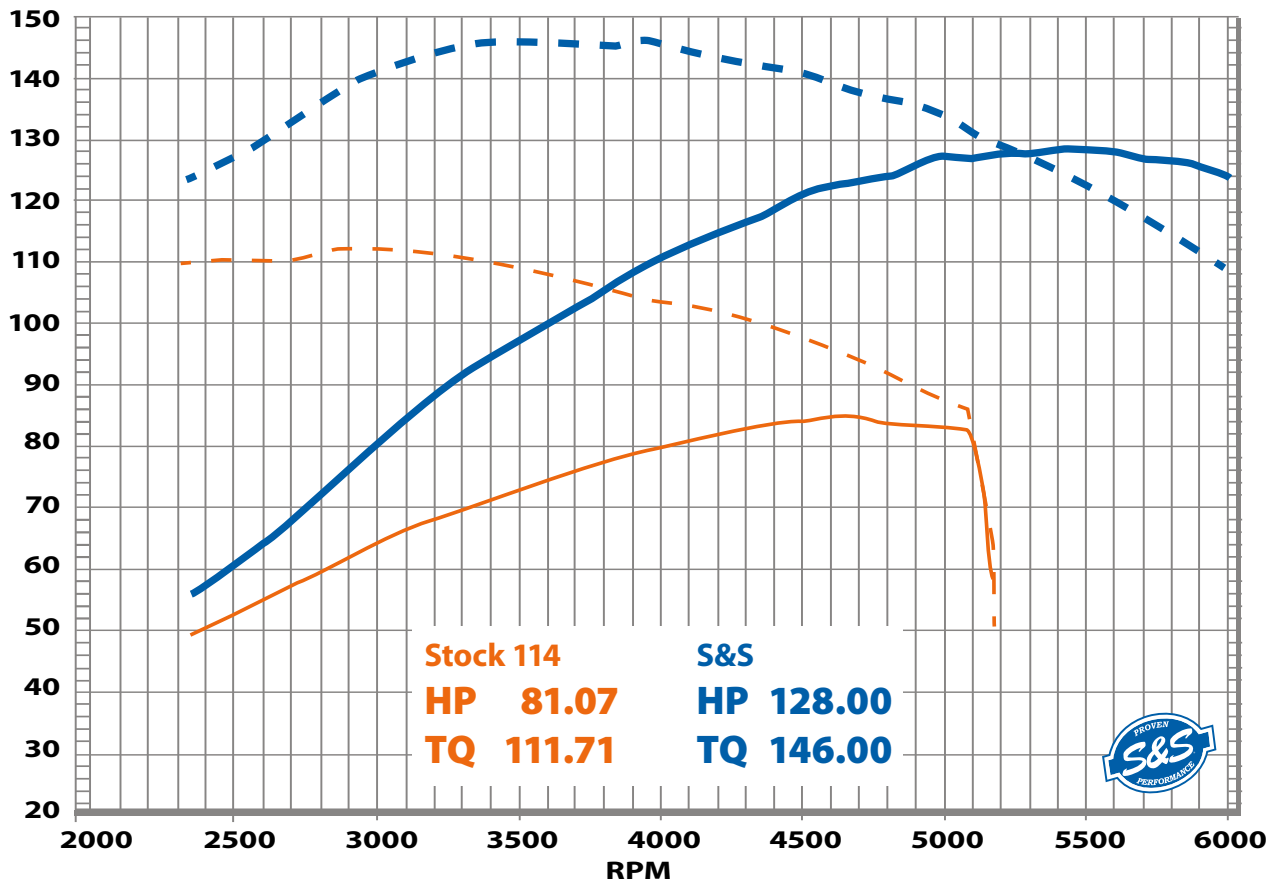
**NOTE:**

S&S does not recommend compression ratios higher than 10:1 for Tri Glide® or other three wheel models (including conversions) due to extra loads caused by the lugging nature of these bikes. Detonation and subsequent engine damage may result.



128" POWER PACKAGE KIT FOR 2017–UP M8 MODELS WITH 4.500" STROKE				
Cooling System	Finish	Drive	Part #	MSRP
Water	Wrinkle Black with Highlighted Fins	Chain	310-1101B	\$3,265.95
Water	Wrinkle Black with Highlighted Fins	Gear	310-1102A	\$3,460.95
Oil	Wrinkle Black with Highlighted Fins	Chain	310-1103B	\$3,265.95
Oil	Wrinkle Black with Highlighted Fins	Gear	310-1104A	\$3,460.95
Oil	Wrinkle Black with Non-Highlighted Fins	Chain	310-1105B	\$3,265.95
Oil	Wrinkle Black with Non-Highlighted Fins	Gear	310-1106A	\$3,460.95
Water	Black Granite with Highlighted Fins	Chain	310-1107B	\$3,265.95
Water	Black Granite with Highlighted Fins	Gear	310-1108A	\$3,427.95
Oil	Black Granite with Highlighted Fins	Chain	310-1109B	\$3,265.95
Oil	Black Granite with Highlighted Fins	Gear	310-1110A	\$3,460.95

FOR CLOSED COURSE COMPETITION USE ONLY. NOT INTENDED FOR STREET USE. LEGAL IN CALIFORNIA ONLY FOR RACING VEHICLES WHICH MAY NEVER BE USED, OR REGISTERED OR LICENSED FOR USE, UPON A HIGHWAY. NOT LEGAL FOR SALE OR USE NATIONWIDE ON ANY FEDERAL POLLUTION CONTROLLED MOTOR VEHICLE UNDER THE CLEAN AIR ACT.



On a 2018 HD® Street Glide®— with a stock throttle body, Stealth Air Cleaner, & 2-1 exhaust system

M8

2007–'17  
TWIN CAM  
96"/103"/110"

1999–'06  
TWIN CAM  
88"

SPORTSTER, STREET,  
NIGHTSTER, STREET ROD  
& BUELL

TOOLS &  
SHOP  
SUPPLIES

WARRANTY &  
COMPANY  
POLICY

APPENDIX



The crankshaft is the heart of any performance engine and S&S Cycle has been perfecting the art for over six decades. Stronger, more durable, and tried to a spec others can only dream of, our new crankshaft assemblies for the Milwaukee-Eight® platform are the best of the best to build your high performance engine around.

### FEATURES AND BENEFITS:

- Available in 4 $\frac{3}{8}$ ", 4 $\frac{1}{2}$ " & 4 $\frac{5}{8}$ " Stroke
- Comes with balance gear installed for easy installation
- Heat Treated 4140 Material is harder & more than twice as strong as stock
- Stronger assembly eliminates need to weld crankpin
- S&S High Strength Connecting Rods are designed with Finite Element Analysis to eliminate weak spots and handle more power!
- Full width connecting rods have more material to handle higher stress
- Perfect for Gear Drive Cams
- Consistent balance & precision machining
- Capable of higher RPM — More available power!



#### NOTE:

S&S does not recommend compression ratios higher than 10:1 for Tri Glide® or other three wheel models (including conversions) due to extra loads caused by the lugging nature of these bikes. Detonation and subsequent engine damage may result.

Will **NOT** work with stock HD® pistons.

FLYWHEEL ASSEMBLIES FOR 2017–UP M8 MODELS					
Displacement <i>(with S&amp;S cylinders &amp; pistons)</i>	Stroke	Compression Ratio	Balanced to Total Piston Weight (gms)	Part #	MSRP
114 or 128"	4 1/2"	10.3	1060	320-0598 (tapered rods)	\$1,733.95
107 or 124"	4 3/8"	9.9	1060	320-0601 (tapered rods)	\$1,733.95
107 or 124"	4 3/8"	10.8	1213	320-0604 (full wristpin rods)	\$1,876.95
114 or 128"	4 1/2"	10.8	1213	320-0603 (full wristpin rods)	\$1,876.95
131"	4 5/8"	10.8	1213	320-0605 (full wristpin rods)	\$1,876.95

NOT LEGAL FOR SALE OR USE IN CALIFORNIA ON ANY POLLUTION CONTROLLED MOTOR VEHICLE. NOT LEGAL FOR SALE OR USE NATIONWIDE ON ANY FEDERAL POLLUTION CONTROLLED MOTOR VEHICLE UNDER THE CLEAN AIR ACT WARNING: Cancer and Reproductive Harm – www.P65Warnings.ca.gov **REPLACEMENT PARTS: SEE PAGE 76**



The M8 engine platform is capable of serious power, but it also has a few weak spots. The new S&S Cycle Guardian Kit is designed to update the top end to better support big bore and cam mods. If you're doing a 124/128/131 conversion this kit is a must have!

- Everything you need to update top end in one convenient kit!
- Rocker arm shafts are 66% stronger than stock
- Rocker arm stud kit extends the life of your cylinder heads by preventing damage to the rocker arm towers
- Head bolt kit is made of 8640 heat treated steel with 200,000 psi Ultimate Tensile strength cold rolled threads & formed washer make these head bolts durable & reusable
- Roller rocker arms help relieve additional stress caused by high lift camshafts running at high rpm!

TOP END GUARDIAN KIT		
Description	Part #	MSRP
Top End Guardian Kit	900-1092	\$917.95
NOT LEGAL FOR SALE OR USE IN CALIFORNIA ON ANY POLLUTION CONTROLLED MOTOR VEHICLE. NOT LEGAL FOR SALE OR USE NATIONWIDE ON ANY FEDERAL POLLUTION CONTROLLED MOTOR VEHICLE UNDER THE CLEAN AIR ACT		





**FITMENT:**

- 2017–up M8 models

**FEATURES AND BENEFITS:**

- 4140 Chrome Moly studs, oil quenched and tempered to 39-44 HRC
- 180,000psi Tensile Strength
- Rounded thread roots, rather than flat, improving fatigue strength
- Positive stop shoulder allows for consistent installed height



M8 STUD KITS FOR 2017-UP		
Description	Part #	MSRP
Cylinder Stud & Bolt Kit for M8 Models - 8 Pack	900-1176	\$219.95
Cylinder Stud 7/16-14 UNC X 6.250" For M8 Models - 8 Pack	310-1204	\$79.95
Cylinder Stud For M8 Models - Single	310-1172	\$11.95



**FITMENT:**

- 2017–2019 touring models

**FEATURES AND BENEFITS:**

- Bolt-in, legal performance
- Choose between chain or gear driven cam kits
- No need for expensive dyno tuning
- Display vehicle data channels in real-time
- Weather-resistant for use in all conditions
- High contrast display, viewable in direct sunlight
- **Not yet available for 2020 - 2023 and all Softail® models**



**NOTE:**

Designed to work specifically with our Stealth air cleaner kits and Mk45 mufflers with a stock header or our El Dorado exhaust system



**475 PERFORMANCE CAM KIT FOR 2017–2019 M8 MODELS**

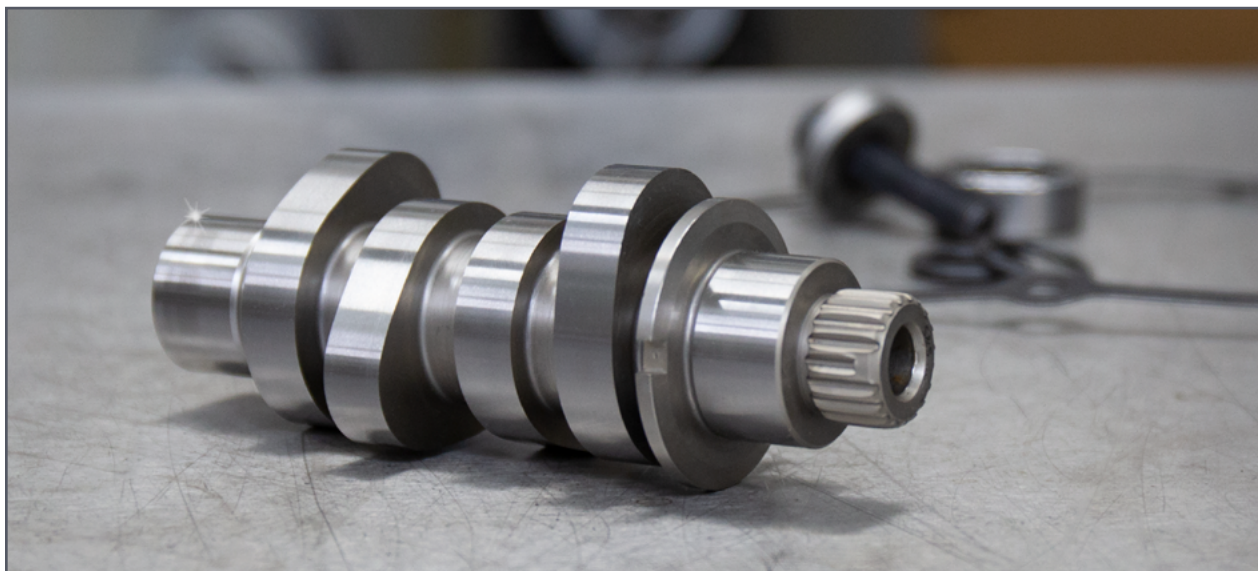
Description	Part #	MSRP
475 Chain Drive	330-0725	\$628.95
475 Gear Drive	330-0726	\$846.95

Exempt from emissions tampering regulations under CARB EO# D-355-32





- 465:** Bolt-in cam designed to make best power from 1500–4500 RPM. Excellent low and mid-range torque make this a great choice for two-up riding and touring where low end grunt is the priority. Works great with stock bore, heads and throttle body and with compression ratios up to around 10:1.
- 475:** Bolt-in cam providing best power from 2200–5200 RPM in engines with displacements from 107–135 cubic inches. Compatible with compression ratios up to 11:1. Works great with stock heads and throttle body for mid range power but with the ability to stretch the power higher into the RPM band with more mods.
- 540:** Designed to add even more stump pulling torque to your big bore M8, for those that keep the revs below 6000 RPM.
- 550:** High lift cams for maximizing peak torque and horsepower. Designed to make top end power in combination with our Big Bore cylinder and piston kits. Excellent power from 3000 RPM to redline. Requires performance valve springs and adjustable pushrods. Suitable for compression ratios between 10:1 and 12-1.
- 590:** Designed as an all out Horsepower Cam for 124 and larger engines. Big lift lets your big mill breathe high into the RPM range! Requires performance valve springs and adjustable pushrods. This cam requires a 12:1 or higher compression ratio.



SPECIFICATIONS OF S&S® CHAIN DRIVE AND GEAR DRIVE CAMSHAFTS FOR M8 MODELS											
Cam Name	Cylinder	Valve Timing		Valve Duration		Valve Lift		Lobe Center Line		Valve Lift @ TDC	
		Intake	Exhaust	Intake	Exhaust	Intake	Exhaust	Intake	Exhaust	Intake	Exhaust
		Open BTDC/ Close ABDC	Open BBDC/ Close ATDC								
350G Stock Grind Gear Drive	Both	-7.0/1.0	33.0/-14.0	174.0	199.0	.350	.374	94.0	113.5	.057	.048
465 Performance	Front	2.6/14.6	30.1/8.8	197.2	218.9	.462	.462	96.0	100.6	.087	.109
	Rear	2.8/14.4	33.1/5.8	197.2	218.9	.462	.462	95.8	103.6	.088	.098
475 HP	Front	6.2/27.2	55.5/28.5	213.5	263.9	.475	.475	100.5	103.5	.107	.208
	Rear	2.2/31.2	52.5/20.2	213.5	252.5	.475	.475	104.5	106.0	.093	.170
540 Big Bore Torque	Front	17.7/30.6	21.2/33.9	228.3	235.1	0.540	0.540	96.4	83.6	0.175	0.262
	Rear	14.9/28.7	37.7/26.9	223.6	244.6	0.540	0.540	96.9	95.4	0.161	0.216
550 Big Bore	Front	9.4/29.4	62.5/30.5	218.9	273.1	.550	.550	100.0	106.0	.127	.232
	Rear	3.1/31.1	59.4/38.4	214.2	277.8	.550	.550	104.0	100.5	.099	.264
590 Big Bore Max HP	Front	15.6/43.7	64.8/21.2	239.4	266.1	0.59	0.59	104.1	111.7	0.165	0.186
	Rear	20.2/53.6	62.7/15.7	253.9	258.4	0.59	0.59	106.7	113.5	0.186	0.158

NOT LEGAL FOR SALE OR USE IN CALIFORNIA ON ANY POLLUTION CONTROLLED MOTOR VEHICLE. NOT LEGAL FOR SALE OR USE NATIONWIDE ON ANY FEDERAL POLLUTION CONTROLLED MOTOR VEHICLE UNDER THE CLEAN AIR ACT

**FITMENT:**

- 2017–2021 touring and 2018–2021 Softail® models

**FEATURES & BENEFITS:**

- 590 Cam is designed as an all out Horsepower Cam for 124 & larger engines —*Big lift lets your big mill breathe high into the RPM range!*
- 540 Cam was designed to add even more stump pulling torque to your big bore M8, for those that keep the revs below 6000 rpm
- 465 Cam is designed for touring applications, focusing power in lower RPM range and substantial increase in torque

- 475 Cam bumps HP to over a 100 and makes bigger power towards top end of RPM range
- 465C chain drive & 465G gear drive cams both provide increased torque & horsepower
- 350G gear drive cam has stock specs, but eliminates cam drive chain & tensioner
- Cam kits include all required bearings, o-rings, and hardware
- Gear drive cams provide improved valve timing accuracy
- Made in the USA

CHAIN DRIVE CAMSHAFTS FOR 2017–2021 HD® MODELS W/ M8 ENGINE		
Description	Part #	MSRP
465C	<b>330-0620</b>	<b>\$234.95</b>
475C	<b>330-0641</b>	<b>\$299.95</b>
540C	<b>330-0713</b>	<b>\$234.95</b>
550C	<b>330-0643</b>	<b>\$252.95</b>
590C	<b>330-0730</b>	<b>\$234.95</b>

NOT LEGAL FOR SALE OR USE IN CALIFORNIA ON ANY POLLUTION CONTROLLED MOTOR VEHICLE.  
NOT LEGAL FOR SALE OR USE NATIONWIDE ON ANY FEDERAL POLLUTION CONTROLLED MOTOR VEHICLE UNDER THE CLEAN AIR ACT

GEAR DRIVE CAMSHAFTS FOR 2017–2021 HD® MODELS W/M8 ENGINE		
Description	Part #	MSRP
350G - Stock	<b>330-0625*</b>	<b>\$458.95</b>
465G	<b>330-0624</b>	<b>\$463.95</b>
475G	<b>330-0645</b>	<b>\$458.95</b>
540G	<b>330-0715</b>	<b>\$458.95</b>
550G	<b>330-0647</b>	<b>\$459.95</b>
590G	<b>330-0732</b>	<b>\$472.95</b>

NOT LEGAL FOR SALE OR USE IN CALIFORNIA ON ANY POLLUTION CONTROLLED MOTOR VEHICLE \*Qualified Manufacturer Declared 49-State Emissions Compliant Part on MY 2017–2021 touring models

REPLACEMENT PARTS		
Description	Part #	MSRP
Cam Cover Gasket	<b>310-0911</b>	<b>\$21.95</b>
Pinion Gear	<b>330-0622</b>	<b>\$131.95</b>
Undersized Pinion Gear	<b>330-0626</b>	<b>\$132.95</b>
Oversized Pinion Gear	<b>330-0627</b>	<b>\$132.95</b>
Outer Cam Gear Drive	<b>330-0621</b>	<b>\$252.95</b>

S&S Camshaft installation kits for M8 models include the essentials for performance cam installations: a high quality inner needle bearing, cam cover gasket, o-rings and gear drive specific hardware on gear drive kits are bundled with step by step instructions to smooth out your bumpstick install.

CAMSHAFT INSTALLATION KITS FOR ALL 2017–2021 M8 MODELS		
Description	Part #	MSRP
Chain Drive Installation Kit	<b>330-0619</b>	<b>\$54.95</b>
Gear Drive Installation Kit	<b>330-0623</b>	<b>\$61.95</b>



REPLACEMENT PARTS: SEE PAGE 75

M8

2007–17  
TWIN CAM  
96"/103"/110"

1999–06  
TWIN CAM  
88"

SPORTSTER, STREET,  
NIGHTSTER, STREET ROD  
& BUELL

TOOLS &  
SHOP  
SUPPLIES

WARRANTY &  
COMPANY  
POLICY

APPENDIX

Often ignored, the factory oil control valve on all oil cooled M8 engines regulates the amount of oil flowing to the oil cooler/heads. The stock assembly includes a check ball retainer that is formed steel. Over time, this retainer can fatigue and break, causing chips to flow through the oil system, back into the tank and can cause significant damage along the way.

- The S&S oil control valve is constructed of 6061 billet aluminum and the check ball retainer is machined from high strength steel for long-lasting durability. Don't risk the integrity of your performance engine!
- High-Strength Billet Construction
- Easy to Install



OIL CONTROL VALVE		
Description	Part #	MSRP
Oil Control Valve Assembly	310-1150	\$50.95

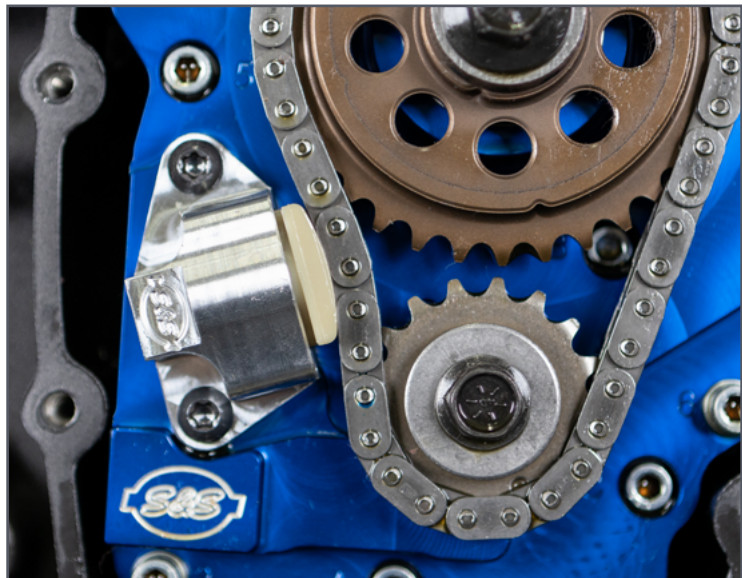
## Cam Chain Tensioner

### FITMENT

- 2017–2022 M8 models

### FEATURES & BENEFITS:

- Precision Machined from Billet Aluminum
- Thicker shoe for longer wear
- Direct chain oiling
- Larger piston for more consistent pressure
- Tighter tolerances improves stability



CAM CHAIN TENSIONER FOR M8 MODELS		
Description	Part #	MSRP
Cam Chain Tensioner	330-0737	\$104.95



**FITMENT**

- 2017–2021 M8 models

**CAM PLATE**

- Precision machined from billet aluminum
- Passage plugs removable for servicing
- Bronze bushings for better lubrication & improved wear characteristics
- Made in USA

**OIL PUMPS**

- Precision machined from billet aluminum
- Independent scavenge sections for flywheel cavity and cam chest
- Debris screens in both scavenge pickups
- Magnet in cam chest to help prevent debris from entering pump
- Increased flow capacity on both feed and scavenge side
- Pressure relief valve can be adjusted with unit in engine
- Made in USA

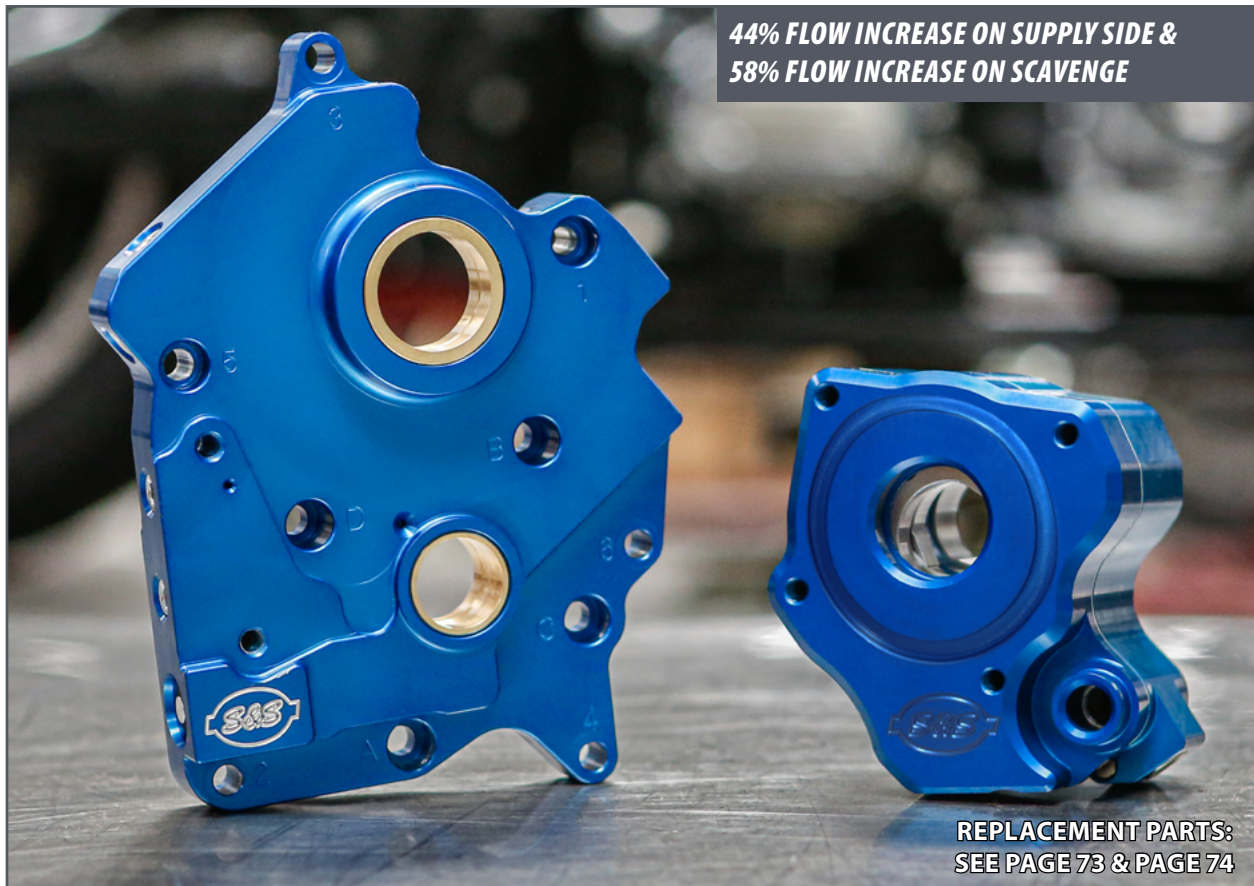
**KITS**

- Buy together and save \$\$

CAM PLATE & OIL PUMP KITS FOR M8 MODELS		
Description	Part #	MSRP
Cam Plate & Oil Pump/Oil-Cooled	310-0998B	\$836.95
Cam Plate & Oil Pump/Water-Cooled	310-0997B	\$836.95
<b>CAM PLATE ONLY</b>	310-0939A	\$406.95
OIL PUMP ONLY		
Description	Part #	MSRP
Oil-Cooled	310-0959A	\$615.95
Water-Cooled	310-0947A	\$587.95

**NOTE:**

pinion shaft runout cannot exceed .005" to run the S&S cam plate and oil pump



**44% FLOW INCREASE ON SUPPLY SIDE & 58% FLOW INCREASE ON SCAVENGE**

**REPLACEMENT PARTS:  
SEE PAGE 73 & PAGE 74**

**FITMENT:**

- 2017–2021 Harley-Davidson® touring models
- 2018–2021 Harley-Davidson Softail® models

**OIL PUMP/CAM PLATE:**

- Precision machined from billet aluminum
- Passage plugs removable for servicing
- Independent scavenge sections for flywheel cavity and cam chest
- Debris screens in both scavenge pickups
- Magnet in cam chest to help to stop debris from entering oil pump
- 44% flow increase on supply side and 58% flow increase on scavenge
- Pressure relief valve is adjustable with unit installed in engine
- Kits now include updated oil pump with groove for optional OEM oil seal

**PUSHRODS:**

- Quicke Pushrods
- Chrome or Gloss Black pushrod tubes available

**TAPPETS:**

- Hand assembled to exacting tolerances
- Reduced valve train noise from start up to shut down
- Close tolerances for low leak down rates
- Fast pump up and superior high RPM performance

**TAPPET CUFFS:**

- Hard anodized black coating
- Billet aluminum construction

- Improve tappet stability in high lift and high rpm situations

**CAM:**

- S&S 465, 475, 540, or 550 cam
- 465 is a torque cam—perfect for touring applications
- 475 is a bolt-in 100hp cam!
- 540 is designed to add even more stump pulling torque to your big bore M8 for those that keep the revs below 6000 rpm. Requires the addition of valve springs (*included in kit*)
- 550 is designed for use with large displacement engines. Requires the addition of valve springs (*included in kit*)
- Available in both gear drive and chain drive variations
- Gear drive kits provide improved cam timing accuracy and eliminate the stock cam chain tensioner

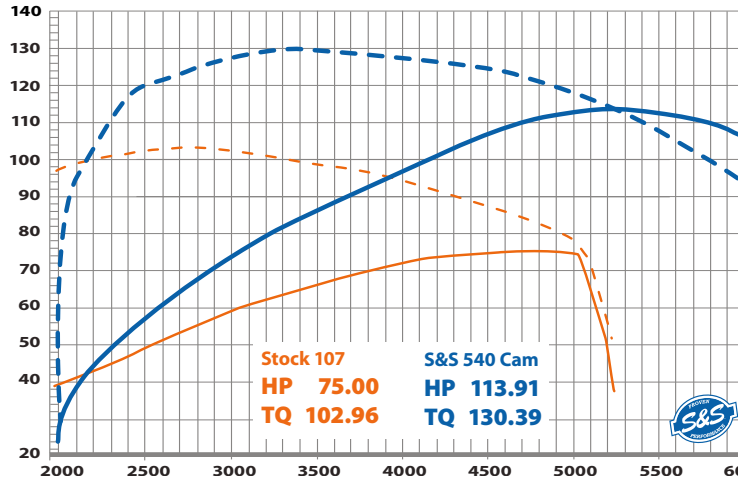
**CAM CHAIN TENSIONER:**

- Comes with Chain Drive Kits
- Precision Machined from Billet Aluminum
- Thicker shoe for longer wear
- Direct chain oiling
- Larger piston for more consistent pressure
- Tighter tolerances improves stability

**INCLUDES ALL GASKETS, BEARINGS, AND HARDWARE REQUIRED FOR INSTALLATION • MADE IN USA**







**Stock Cam vs 540 Cam**

on a 2017 HD® Limited — 124 Big Bore kit, 5.5 g/s injectors, 2-1 Sidewinder, Stealth +1 Air Cleaner

**CAM CHEST KITS FOR 2017–2021 TOURING MODELS & 2018–UP SOFTAIL® MODELS**

Cooling system	Cam	Pushrods	Part #	MSRP
Oil Cooled	Chain Drive 550C	Chrome	310-1082B	\$1,937.95
	Chain Drive 540C	Chrome	310-1118A	\$1,864.95
	Chain Drive 475C	Chrome	310-1004B	\$1,580.95
	Chain Drive 465C	Chrome	310-1003B	\$1,580.95
	Gear Drive 550G	Chrome	310-1083A	\$2,193.95
	Gear Drive 540G	Chrome	310-1119	\$2,131.95
	Gear Drive 475G	Chrome	310-1006A	\$1,774.95
	Gear Drive 465G	Chrome	310-1005A	\$1,774.95
	Chain Drive 475C	Black	310-1012B	\$1,621.95
	Chain Drive 465C	Black	310-1011B	\$1,621.95
	Gear Drive 475G	Black	310-1014A	\$1,815.95
	Gear Drive 465G	Black	310-1013A	\$1,815.95
Water Cooled	Chain Drive 550C	Chrome	310-1080B	\$1,937.95
	Chain Drive 540C	Chrome	310-1116A	\$1,846.95
	Chain Drive 475C	Chrome	310-1000B	\$1,580.95
	Chain Drive 465C	Chrome	310-0999B	\$1,580.95
	Gear Drive 550G	Chrome	310-1081A	\$2,131.95
	Gear Drive 540G	Chrome	310-1117	\$2,172.95
	Gear Drive 475G	Chrome	310-1002A	\$1,774.95
	Gear Drive 465G	Chrome	310-1001A	\$1,774.95
	Chain Drive 475C	Black	310-1008B	\$1,621.95
	Chain Drive 465C	Black	310-1007B	\$1,621.95
	Gear Drive 475G	Black	310-1010A	\$1,815.95
	Gear Drive 465G	Black	310-1009A	\$1,815.95

NOT LEGAL FOR SALE OR USE IN CALIFORNIA ON ANY POLLUTION CONTROLLED MOTOR VEHICLE. NOT LEGAL FOR SALE OR USE NATIONWIDE ON ANY FEDERAL POLLUTION CONTROLLED MOTOR VEHICLE UNDER THE CLEAN AIR ACT

M8

2007-17 TWIN CAM 96"/103"/110"

1999-06 TWIN CAM 88"

SPORTSTER, STREET, NIGHTSTER, STREET ROD & BUELL

TOOLS & SHOP SUPPLIES

WARRANTY & COMPANY POLICY

APPENDIX

Factory tappet guides are constructed of plastic and are at risk for allowing the tappets to twist under heavy stress. S&S Tappet Cuffs capture the tappets without impacting vertical motion and keep them perfectly aligned, even in high stress, high RPM situations

**FITMENT**

- 2017–2021 touring models
- 2018–2021 HD® Softail® models



**FEATURES AND BENEFITS**

- Hard anodized black coating
- Billet aluminum construction
- Stronger material eliminates distortion
- Improve tappet stability in high lift and high rpm situations
- An easy upgrade when changing tappets or doing a cam change



TAPPET CUFFS		
Fitment	Part #	MSRP
2017–Up HD® touring models 2018–Up HD® Softail® models	<b>330-0655</b>	<b>\$84.95</b>

**Precision Tappets**

High performance tappets are a cornerstone of the S&S line up and we are always looking to improve our products. After months of research and countless hours of testing we are excited to reveal the latest in performance tappets. The S&S Cycle Precision Tappets replace both our standard as well as premium tappets. Each Precision Tappet is hand assembled to exacting tolerances and designed for quiet operation and rapid pump up and all are made in the USA.

**FITMENT**

- 2017–Up big twins with M8 engine

**FEATURES**

- Reduced valve train noise from start up to shut down
- Close tolerances for low leak down rates
- Fast pump up and superior high rpm performance

PRECISION TAPPETS		
Description	Part #	MSRP
Set of 4 tappets	<b>330-0718</b>	<b>\$279.95</b>





All S&S Quickee Pushrods are covered by US Patent No. 7644694

**FITMENT**

- 2017–2021 big twins with M8 engine

**FEATURES AND BENEFITS**

- Adjustable to accommodate all tappets and cam base circle diameters and engine heights
- Easy to install — removal of rocker arms not needed
- No threads on wrench flats
- Also available in gloss black

**KIT CONTENTS**

- Pushrods, gloss black or chrome pushrod covers, o-rings, and cover keepers



QUICKEE ADJUSTABLE PUSHRODS		
Description	Part #	MSRP
Gloss Black Pushrod Kit <i>(includes black pushrod covers, o-rings &amp; cover keepers)</i>	930-0137	\$334.95
Chrome Pushrod Kit <i>(includes chrome pushrod covers, o-rings, &amp; cover keepers)</i>	930-0123 <sup>±</sup>	\$314.95
Pushrods Only	93-5122	\$209.95

PUSHROD REPLACEMENT PARTS FOR 2017–UP BIG TWINS WITH THE M8			
Description		Part #	MSRP
Pushrod Cover Kit <i>(includes top &amp; bottom covers, cover cap, cover spring, spring washer, &amp; o-rings for four pushrods)</i>	Gloss Black	930-0124	\$203.95
	Chrome	106-1340	\$193.95
Top Cover		93-4016	\$19.95
Bottom Cover		93-4015	\$21.95
Cover Cap		93-4017	\$14.95
Cover Spring		93-4018	\$7.95
Cover Cap Washer		50-7131	\$6.95
Pushrod O-ring Kit <i>(includes top, middle, &amp; bottom o-rings for four pushrods)</i>		93-4022	\$12.95
Top O-ring		50-8039	\$6.95
Middle O-ring		50-8038	\$6.95
Bottom O-ring		50-8037	\$6.95

**WARNING:** Cancer and Reproductive Harm – [www.P65Warnings.ca.gov](http://www.P65Warnings.ca.gov)

PUSHROD COVER KEEPER SETS			
Description		Part #	MSRP
Pushrod Cover Keeper Kit (2.200")	Gloss Black	930-0138	\$40.95
	Chrome	930-0129	\$40.95



**NOTE:**

S&S quickee pushrods require S&S aftermarket tubes

M8

2007–'17  
TWIN CAM  
96"/103"/110"

1999–'06  
TWIN CAM  
88"

SPORTSTER, STREET,  
NIGHTSTER, STREET ROD  
& BUJEL

TOOLS &  
SHOP  
SUPPLIES

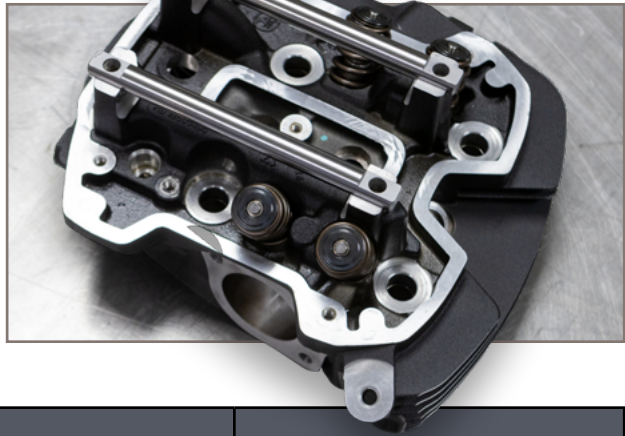
WARRANTY &  
COMPANY  
POLICY

APPENDIX



BW

- M8 Rocker Arm Shafts are a direct replacement for OEM (HD® part #17300059B)
- Improved durability
- Made from bearing quality steel, precision centerless ground for perfect fit!
- S&S Shafts are 66% stronger, preventing damage from radical cam profiles



**NOTE:**

S&S recommends installing Rocker Stud kit 900-1013. See page 53

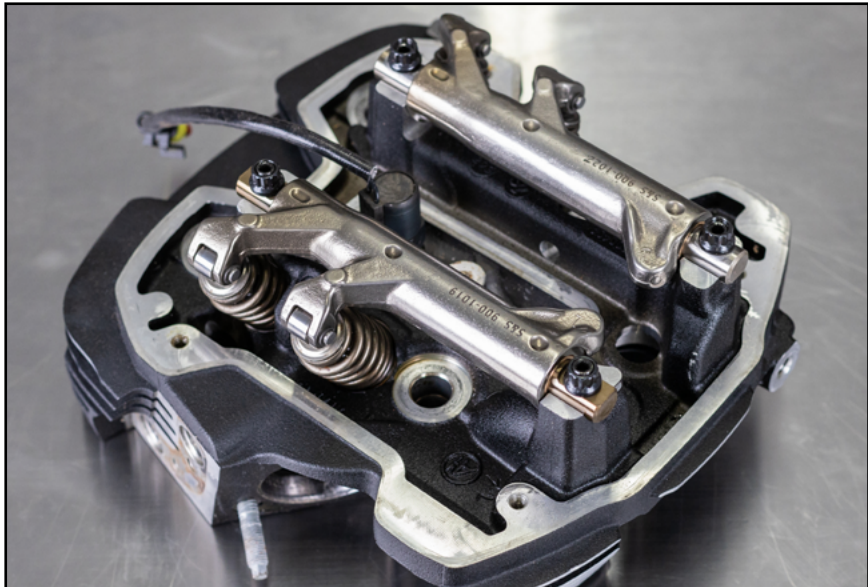
ROCKER ARM SHAFT SET		
Description	Part #	MSRP
ROCKER ARM SHAFT SET	900-1090	\$173.95

**Forged Roller Rocker Arms**

Big lift cams can open up the high rpm potential of the M8 powerplant, but they can also cause their own issues due to the extra stresses and stock valve train geometry. Excessive valve thrust and valve train wear inspired S&S engineers to design stronger, more durable components that will help you get the most out of your M8. S&S Forged Roller Rocker arms for M8 models are stronger, more durable and easier on the rest of your valve train, and are essential for increasing the longevity of your valvetrain components on cams with .540" or greater lift!

**FEATURES & BENEFITS:**

- Forged from 8620 steel for greater strength
- Designed using Finite Element Analysis (FEA)
- Rollers eliminate thrusting on valves for decreased wear on the valve train
- Rocker geometry is better suited to high lift cams
- Larger surface area on the thrust surfaces reduces wear on the heads
- Oil is sprayed directly on the valve springs, reducing potential for breaking a valve due to over-heating (stock rockers tend to oil the rocker boxes, not the valves)
- Compatible with stock or S&S CNC heads
- 1.640 Ratio
- Capable of .650" max Valve Lift
- Serviceable and rebuildable for long term durability
- A must have for cams with .540" or greater lift!



ROCKER ARM		
Description	Part #	MSRP
FORGED ROLLER ROCKER ARMS FOR M8 MODELS	900-1084	\$611.95

Exempt from emissions tampering regulations under CARB EO# K-010-47 for all 2017-2023 M8 touring and 2018-2023 Softail models



**FEATURES AND BENEFITS**

- Extend the life of your cylinder heads
- Prevent damage to rocker arm towers
- Install studs and safely re-torque nuts
- Black oxide finish
- 12 pt nuts



ROCKER ARM STUD KIT		
Description	Part #	MSRP
Rocker Arm Stud Kit	900-1013	122.95

**Valve Springs**

**FEATURES AND BENEFITS**

- Works with cams up to .605" lift
- High performance conical single wire spring
- Kit includes: springs, top collars, keepers, valve seal/bottom collar



Lift	Installed Height	Seat Force	Force @ Max Lift
.605"	1.535"	68 lb.	264 lb.

VALVE SPRING KIT		
Description	Part #	MSRP
Valve Spring Kit for M8 2017–2021 Models	900-0958	\$395.95

REPLACEMENT PARTS FOR VALVE SPRING KITS			
Description	Part #	MSRP	
Valve Keeper	900-0956	\$7.95	
Top Collar	900-0952	\$17.95	
Valve Stem Oil Seal, Hat Style, 6mm, M8 models	8 pack 900-0959	\$40.95	

**Head Bolts**

**FEATURES AND BENEFITS**

- Reusable
- 14% increase in strength over stock
- Heat treated 8640 steel
- 200,000 psi ultimate tensile strength
- Durable black oxide coating
- 5/16" 12 point head with integral washer
- Formed threads
- Cold formed head
- Compatible with both MLS & graphite head gaskets



HEAD BOLTS		
Description	Part #	MSRP
Sold as set of 8	900-1006	\$152.95

**Inner Primary Bearing Race**

The tendency of the stock inner primary bearing race on Late Model M8 big twins to shift on the transmission mainshaft under high torque loads, also known as "walking" off the race, can cause destruction of the transmission mainshaft seal, and ultimately the mainshaft seal, output gear and output gear bearing. The S&S inner primary bearing race features an extra step on the inside diameter that acts as a stop on the transmission mainshaft. When the race is pressed on to the shaft, the step will not allow the race to move inward toward the mainshaft seal. The improved S&S bearing race is a must for any high performance application.



INNER PRIMARY BEARING RACE		
Fitment	Part #	MSRP
2017–2021 M8 models 2008–2017 big twin models	560-0241	\$82.95

**FITS:**

- 2017–2021 M8 models
- 2008–'17 big twin models with stock 6 speed Cruise Drive™ transmissions

**FEATURES AND BENEFITS**

- Will not "walk" on transmission mainshaft
- Prevents costly damage to mainshaft seal, output gear & output gear bearing
- Simple to install

M8

2007–'17  
TWIN CAM  
96"/103"/110"

1999–'06  
TWIN CAM  
88"

SPORTSTER, STREET,  
NIGHTSTER, STREET ROD  
& BUELL

TOOLS &  
SHOP  
SUPPLIES

WARRANTY &  
COMPANY  
POLICY

APPENDIX



8 W



We've upped our intake game with a new version of our popular high flow manifold for the H-D M8. Porting is done using a 5-Axis CNC machining center for the ultimate in consistent shape and flow characteristics. Knowing polished porting has little impact on the intake side, we leverage a uniformly spaced and shaped texture that not only creates a larger surface area to encourage fuel dissipation, but also superior atomization of the fuel air mixture. The S&S Cycle CNC ported manifold fits all 55mm throttle bodies and works excellent with factory as well as ported heads and is available in black only.

**FEATURES AND BENEFITS**

- 5-Axis CNC Ported
- Maximum aerodynamic efficiency
- Textured finish encourages fuel dissipation and atomization
- Works with stock and ported heads
- High-Temp, Durable Black Powder Coat Finish
- Includes Intake Seals
- Fits all 55mm throttle bodies
- Made in the USA



55MM MANIFOLD KIT		
Description	Part #	MSRP
Premium 55mm CNC Ported Black Manifold for M8 Models	160-0276	\$399.95
Exempt from emissions tampering regulations under CARB EO# K-010-48 for all 2017-2023 M8 touring and 2018-2023 Softail models		



Big bore engines are all about the flow, more air in and more air out, anything that slows that down, robs horsepower. The factory M8 intake manifold does a decent job in stock form, but starts getting in the way when trapped between 124" and larger cylinders. The stock polymer unit is also less tolerant of the additional heat that a big bore engine can make at full noise. The solution is the new S&S high flow cast aluminum manifold and a must have for top level performance in the M8 platform.

**FEATURES AND BENEFITS**

- High-Flow, adds 3–5 hp
- Must have for big bore engines
- CNC Machined
- T6 heat treated cast aluminum
- Replaces stock, plastic manifold
- Includes new rubber seal
- Easy to Install



FITMENT		
Description	Part #	MSRP
2017–2021 HD® M8 models	160-0241A	\$214.95
FOR CLOSED COURSE COMPETITION USE ONLY. NOT INTENDED FOR STREET USE. LEGAL IN CALIFORNIA ONLY FOR RACING VEHICLES WHICH MAY NEVER BE USED, OR REGISTERED OR LICENSED FOR USE, UPON A HIGHWAY. NOT LEGAL FOR SALE OR USE NATIONWIDE ON ANY FEDERAL POLLUTION CONTROLLED MOTOR VEHICLE UNDER THE CLEAN AIR ACT.		



M8

2007-'17  
TWIN CAM  
96"/103"/110"

1999-'06  
TWIN CAM  
88"

SPORTSTER, STREET,  
NIGHTSTER, STREET ROD  
& BUELL

TOOLS &  
SHOP  
SUPPLIES

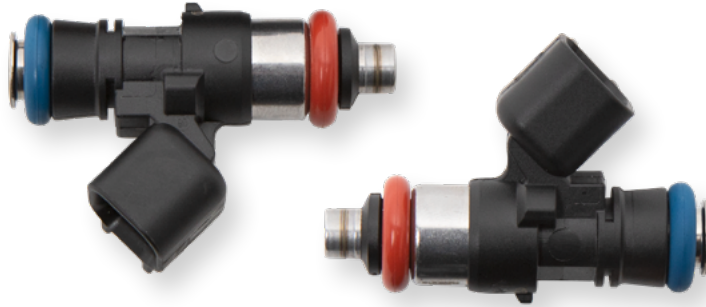
WARRANTY &  
COMPANY  
POLICY

APPENDIX



**FEATURES AND BENEFITS**

- 7.6 g/s EV14
- Works with stock fuel rails
- Fits 2017-Up M8 Models
- Connects directly to the stock wiring harness
- Provides sufficient fuel for big-inch engines
- Sold in sets of two



FUEL INJECTORS		
Description	Part #	MSRP
Fuel Injectors for 2017-Up M8 Models (Pair)	<b>550-0849</b>	<b>\$356.95</b>

**S&S® Oil**

**FEATURES AND BENEFITS**

- Ultimate protection
- Superior lubrication for reduced engine wear and lower oil temperatures
- Provides consistent viscosity and resists thermal breakdown and oxidation at elevated temperatures
- Includes an oil drain plug o-ring for convenience



S&S® OIL CHANGE KIT			
Description	Part #	MSRP	
2017–2021 Harley-Davidson® models with Milwaukee-Eight® engine 5 quarts of SAE 20W-50 synthetic engine oil with chrome oil filter	<b>3601-0492</b>	<b>\$140.95</b>	

S&S® OIL		
Description	Part #	MSRP
20W50 Synthetic, 1 quart	<b>3601-0407</b>	<b>\$19.95</b>
20W50 Synthetic, 2.5 Gallon	<b>3601-0408</b>	<b>\$183.95</b>
Primary, Synthetic, 1 quart	<b>3603-0044</b>	<b>\$19.95</b>
80W140 Gear, Synthetic, 1 quart	<b>3604-0007</b>	<b>\$19.95</b>





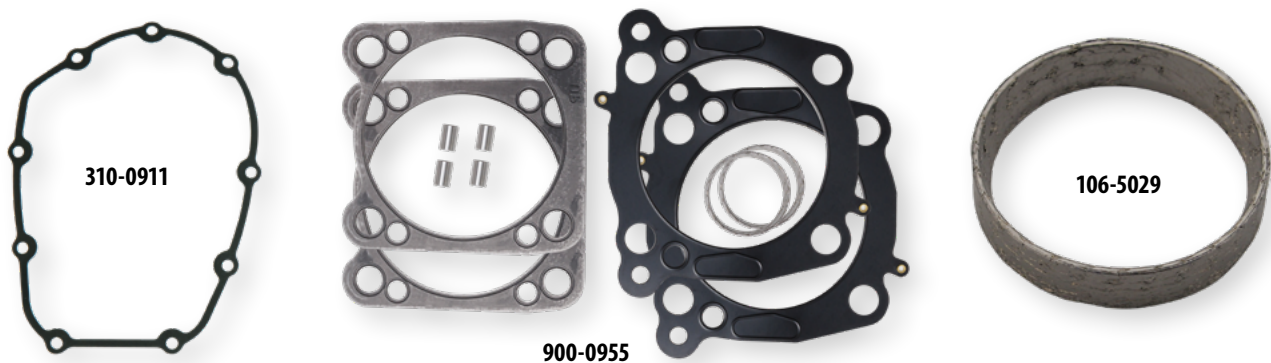
**FEATURES AND BENEFITS**

- Captures smaller particles than stock filters
- Low restriction to oil flow
- Direct bypass — bypass oil does not pass over dirty filter media
- Smaller diameter for easier installation
- Black or chrome finish



S&S® OIL FILTERS						
Year Application	Micron Rating	QTY	Chrome	MSRP	Black	
1999-'17* Twin Cam 88°/96™/103™ and Milwaukee-Eight® engines	10µ	each	<b>31-4104A</b> 63798-99A	\$23.95	<b>31-4103A</b> 63731-99A	\$20.95
		12 pack	<b>310-0242</b>	\$288.95	<b>310-0241</b>	\$183.95

*\*Contains an anti-drain back valve*



GASKETS			
Cam Cover		<b>310-0911</b>	\$21.95
Exhaust Gaskets	each	<b>106-5029</b>	\$7.95
	10 pack	<b>93-1072</b>	\$71.95
Head gasket, 4.25" Bore, .030" Stock bolt pattern	2 pack	<b>930-0140</b>	\$101.95
Base gasket, Stock to 4.250" Bore, .014" Stock bolt pattern	2 pack	<b>930-0139</b>	\$61.95
Gasket Kit, includes Head, Base, & Exhaust, 4.250" Bore		<b>900-0955</b>	\$164.95
O-ring kit, Oil Pump		<b>500-0850</b>	\$9.95

M8

2007-'17  
TWIN CAM  
96"/103"/110"

1999-'06  
TWIN CAM  
88"

SPORTSTER, STREET,  
NIGHTSTER, STREET ROD  
& BIJEL

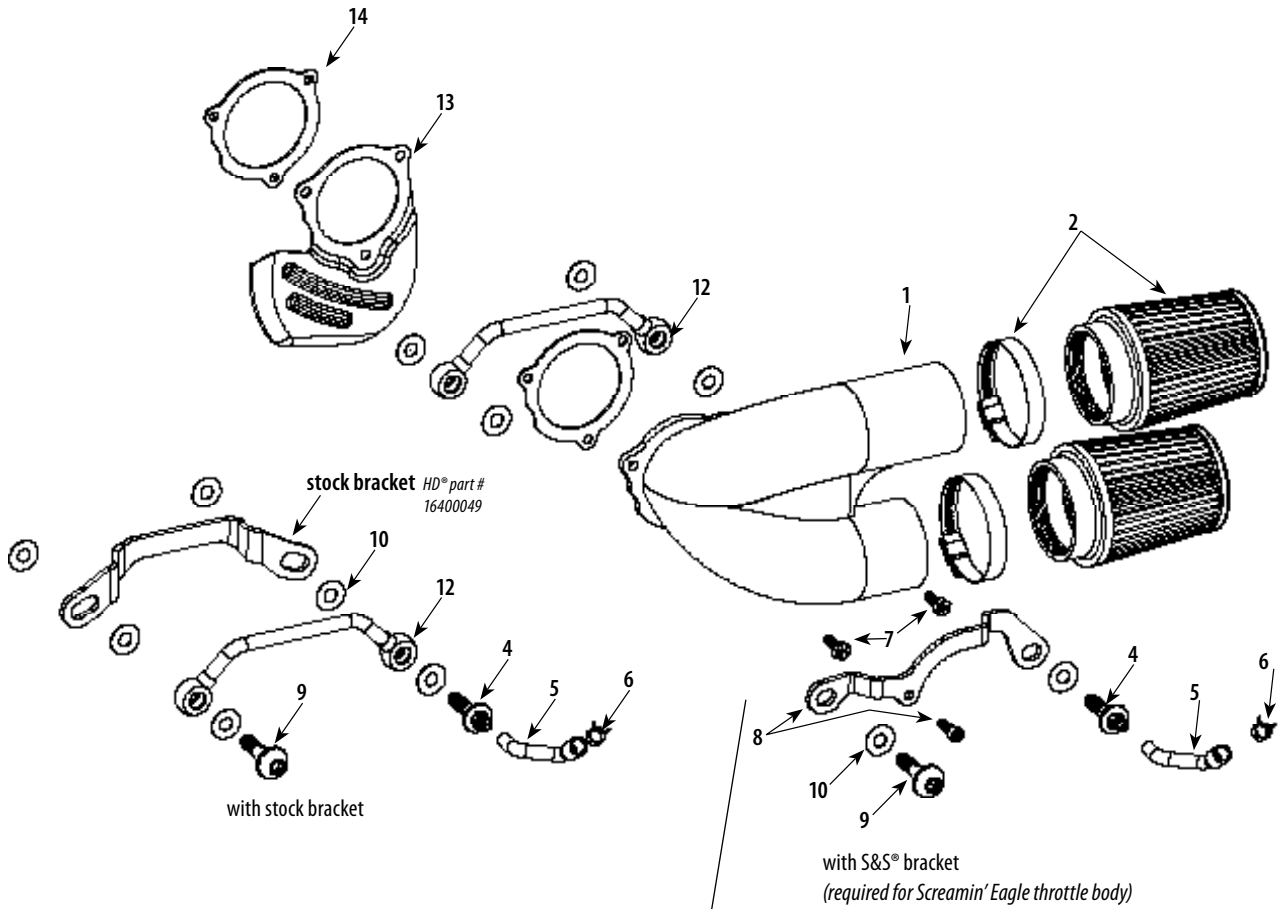
TOOLS &  
SHOP  
SUPPLIES

WARRANTY &  
COMPANY  
POLICY

APPENDIX

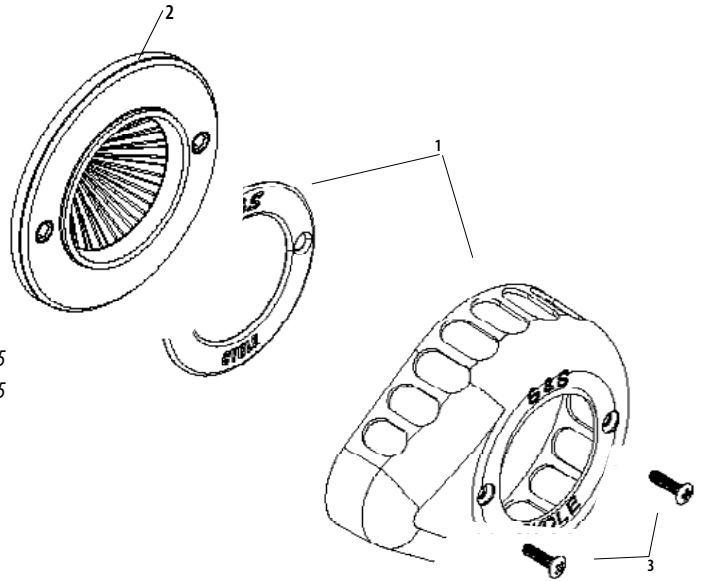


- |   |                  |          |  |   |                 |         |
|---|------------------|----------|--|---|-----------------|---------|
| 1. Intake Runner  |                  |          |  | 8. Throttle Body Support Bracket Kit.....                         | <b>170-0640</b> | \$27.95 |
| Stainless Steel.....                                      | <b>170-0648</b>  | \$356.95 |  | <i>(For use with SE 64mm Throttle Body only; sold separately)</i> |                 |         |
| Chrome.....   | <b>170-0642</b>  | \$360.95 |  | includes:   |                 |         |
| Gloss Black.....  | <b>170-0643</b>  | \$356.95 |  | Screw, SHC, 1/4-20 x 3/4", Chrome, ASTM A574-92A.....             | <b>50-0067</b>  | \$7.95  |
| 2. Filter, Air, S&S® VFI, 2-7/16" x 4", Red               |                  |          |  | 9. Screw, Backplate Vent.....                                     | <b>170-0651</b> | \$61.95 |
| includes clamp (each).....                                | <b>170-0559</b>  | \$40.95  |  | 10. Washer (each).....  | <b>50-7054</b>  | \$7.95  |
| 4. Screw, Breather Vent Fitting, 3/8-16 UNC x 1-1/2"..... | <b>170-0558</b>  | \$25.95  |  | 12. Tube, Breather.....   | <b>170-0563</b> | \$25.95 |
| 5. Breather Vent Hose.....                                | <b>170-0564</b>  | \$24.95  |  | 13. Cover, Induction Module.....                                  | <b>170-0562</b> | \$25.95 |
| 6. Clamp, Spring, .440".....                              | <b>50-8143-S</b> | \$4.95   |  | 14. Gasket, Throttle Body, 64mm.....                              | <b>170-0557</b> | \$8.95  |
| 7. Screw, HHCS, Gr8, 1/4-20 x 3/4", Zinc, Steel.....      | <b>50-0022</b>   | \$4.95   |  |   |                 |         |



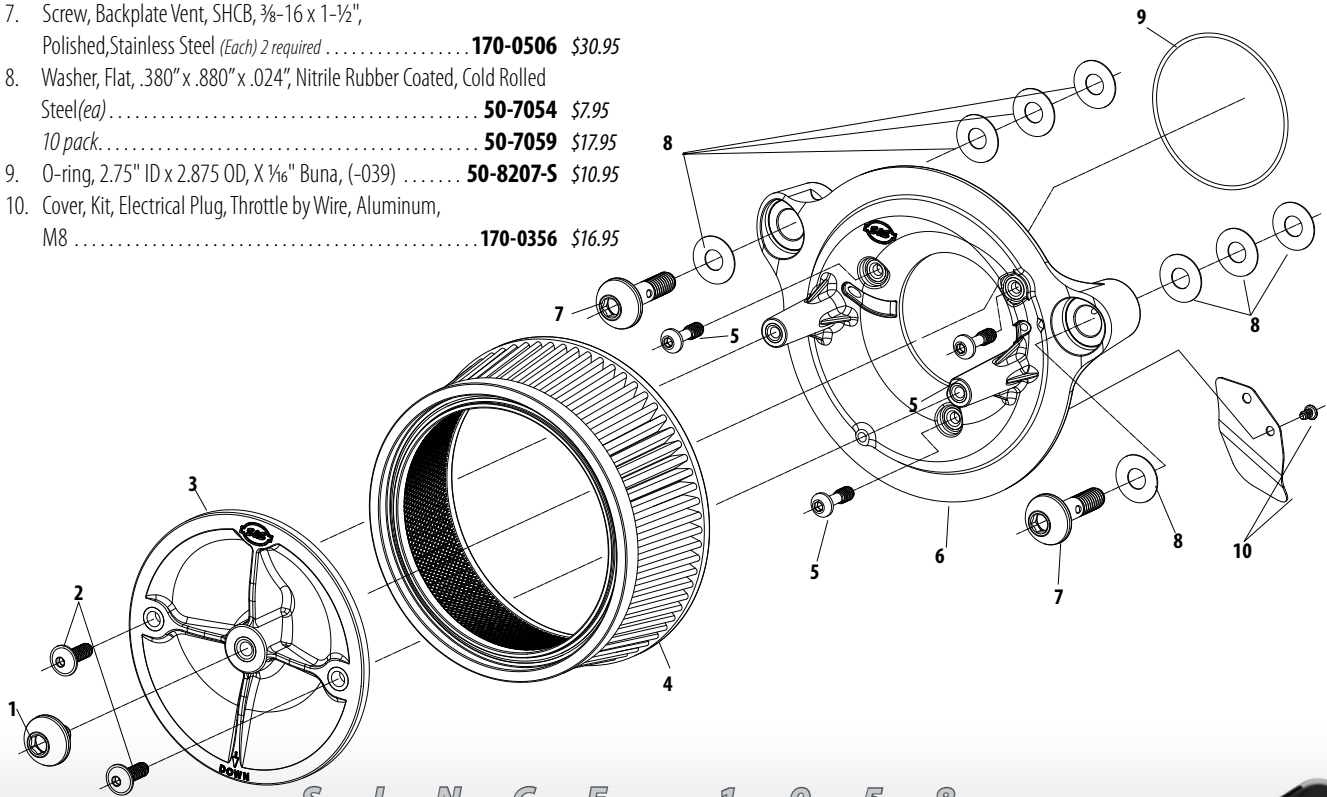


- 1. Cover
  - Gloss Black Teardrop ..... **170-0686** \$203.95
  - Chrome Teardrop ..... **170-0687** \$203.95
  - Billet S&S Script Ring ..... **170-0502** \$81.95
- 2. Filter ..... **170-0723A** \$69.95
- 3. Screws
  - Bright Stainless Steel (2 pack) ..... **500-0657** \$11.95
  - Black (2 pack) ..... **500-0711** \$12.95
  - Brushed Stainless for S&S Ring (2 pack)..... **500-0854** \$8.95



**Stealth Air Cleaner Kit Replacement Parts Including EC Versions**

- 1. Screw, SHCB, 3/16-18 x .500", Polished, Stainless Steel .... **170-0508** \$22.95
- 2. Screw, SHC, Flanged Button, 1/4-20 UNC x .750" (Each) .... **500-0060** \$7.95
- 3. Plate, Top, Air Filter, Molded, Plastic ..... **170-0026** \$19.95
- 4. Filter, Air, Tapered, Standard Pleated,  
5.500" x 6.000" x 2.375", Cotton ..... **170-0126** \$61.95
- 5. Screw, SHCB, 1/4-20 UNC X .825" (Each) 3 required ..... **500-0059** \$7.95
- 6. Backplate, Air Cleaner, Throttle by Wire, Stock Bore, Injection Molded  
Polymer, M8 ..... **170-0353** \$91.95  
EC Backplate ..... **N/A** -
- 7. Screw, Backplate Vent, SHCB, 3/8-16 x 1-1/2",  
Polished, Stainless Steel (Each) 2 required ..... **170-0506** \$30.95
- 8. Washer, Flat, .380" x .880" x .024", Nitrile Rubber Coated, Cold Rolled  
Steel (ea) ..... **50-7054** \$7.95  
10 pack ..... **50-7059** \$17.95
- 9. O-ring, 2.75" ID x 2.875 OD, X 1/16" Buna, (-039) ..... **50-8207-S** \$10.95
- 10. Cover, Kit, Electrical Plug, Throttle by Wire, Aluminum,  
M8 ..... **170-0356** \$16.95



S I N C E 1 9 5 8

M8

2007-'17  
TWIN CAM  
96"/103"/110"

1999-'06  
TWIN CAM  
88"

SPORTSTER, STREET,  
NIGHTSTER, STREET ROD  
& BUELL

TOOLS &  
SHOP  
SUPPLIES

WARRANTY &  
COMPANY  
POLICY

APPENDIX

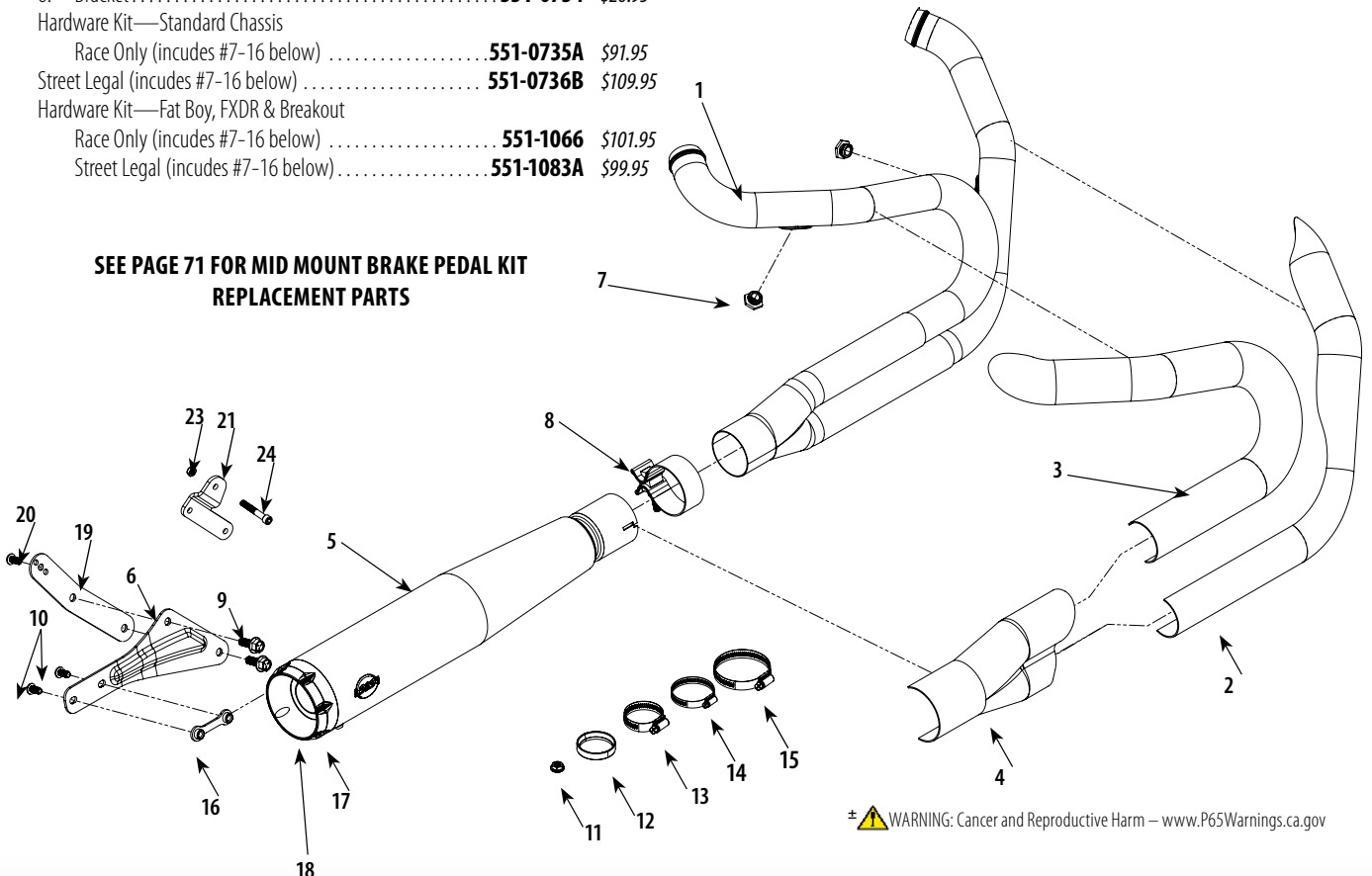


1. Pipe, Header, Super Street, 2-1, Weldment, 2018-'20 M8 Softail®, Standard Chassis . . . . .	<b>551-0761</b> ±	\$326.95	7. Adapter, Oxygen Sensor, 12mm to 18mm, Stainless Steel	<b>550-0375</b>	\$14.95
Fat Boy, FXDR & Breakout . . . . .	<b>551-1050</b> ±	\$326.95	8. Muffler clamp, band style . . . . .	<b>551-0135</b>	\$15.95
2. Front Shield (Standard Chassis)			9. Screw . . . . .	<b>500-0877</b>	\$4.95
Black . . . . .	<b>551-0764A</b>	\$205.95	10. Screw . . . . .	<b>500-0763</b>	\$4.95
Chrome . . . . .	<b>551-0766</b> ±	\$199.95	11. Nut, HSFH, 5/16-24 UNF-2B x .283", Zinc, Steel <sup>7593</sup> . . . . .	<b>50-5025-S</b>	\$4.95
Stainless . . . . .	<b>551-1417</b>	\$265.95	12. Gasket, Exh, Tapered, Stainless Steel 65324-83B, 65324-83A . . . . .	<b>106-5029</b>	\$7.95
Front Shield (Fat Boy, FXDR & Breakout)			13. Clamp, Hose, Worm Drive, SAE #20 . . . . .	<b>551-0527</b>	\$4.95
Black . . . . .	<b>551-1057A</b>	\$203.95	14. Clamp, Hose, Worm Drive, SAE #24 . . . . .	<b>500-0791</b>	\$4.95
Chrome . . . . .	<b>551-1060</b> ±	\$234.95	15. Clamp, Hose, Worm Drive, SAE #40 . . . . .	<b>551-0402</b>	\$6.95
3. Rear Shield (Standard Chassis)			16. Plate, Nut, 5/16-18 x 2", Clear, Zinc . . . . .	<b>551-0469</b>	\$5.95
Black . . . . .	<b>551-0769A</b>	\$241.95	17. Screw, BHC, High Temp Lock Patch, 1/4-20 x 3/8", Stainless Steel . . . . .	<b>500-0441</b>	\$4.95
Chrome . . . . .	<b>551-0771</b> ±	\$195.95	18. End cap, SuperStreet, Black . . . . .	<b>551-0931</b>	\$50.95
Stainless . . . . .	<b>551-1418</b>	\$244.95	19. Bracket, Bag Mount Kit Bracket And Bolt . . . . .	<b>550-0872</b>	\$13.95
Rear Shield (Fat Boy, FXDR & Breakout)			Bracket only . . . . .	<b>551-1095</b>	\$12.95
Black . . . . .	<b>551-1055A</b>	\$163.95	20. Screw, BHC, 5/16-18 x 5/8", Zinc Plated (Standard Chassis) . . . . .	<b>500-0763</b>	\$4.95
Chrome . . . . .	<b>551-1059</b> ±	\$234.95	21. Passanger Peg Bracket (Fat Boy, FXDR & Breakout) . . . . .	<b>551-1219</b>	\$30.95
4. Collector Shield			22. Screw, SHC, 3/8-16 x 2-1/2", Zinc, Steel (Fat Boy, FXDR & Breakout) . . . . .	<b>500-1206</b>	\$4.95
Black . . . . .	<b>551-1139</b>	\$83.95	23. Nut, Lock, Nylon Insert, Gr8, 3/8-16, Low Carbon Steel (Fat Boy, FXDR & Breakout) . . . . .	<b>500-1207</b>	\$4.95
Chrome . . . . .	<b>551-0776</b> ±	\$112.95			
Stainless . . . . .	<b>551-1390</b>	\$142.95			
5. Muffler—Race Only					
Black . . . . .	<b>551-0750</b>	\$666.95			
Chrome . . . . .	<b>551-0754</b> ±	\$636.95			
Muffler—Street Legal					
Black . . . . .	<b>551-0751B</b>	\$1,040.95			
Chrome . . . . .	<b>551-0755B</b> ±	\$1,030.95			
Stainless . . . . .	<b>551-1414</b>	\$1,193.95			
6. Bracket . . . . .	<b>551-0734</b>	\$26.95			
Hardware Kit—Standard Chassis					
Race Only (includes #7-16 below) . . . . .	<b>551-0735A</b>	\$91.95			
Street Legal (includes #7-16 below) . . . . .	<b>551-0736B</b>	\$109.95			
Hardware Kit—Fat Boy, FXDR & Breakout					
Race Only (includes #7-16 below) . . . . .	<b>551-1066</b>	\$101.95			
Street Legal (includes #7-16 below) . . . . .	<b>551-1083A</b>	\$99.95			

**Not Shown:**

dB Reducer . . . . .	<b>551-0063</b>	\$30.95
Screw, SHC 10-32 x 3/4 . . . . .	<b>500-0569</b>	\$4.95

**SEE PAGE 71 FOR MID MOUNT BRAKE PEDAL KIT REPLACEMENT PARTS**



⚠️ WARNING: Cancer and Reproductive Harm – www.P65Warnings.ca.gov



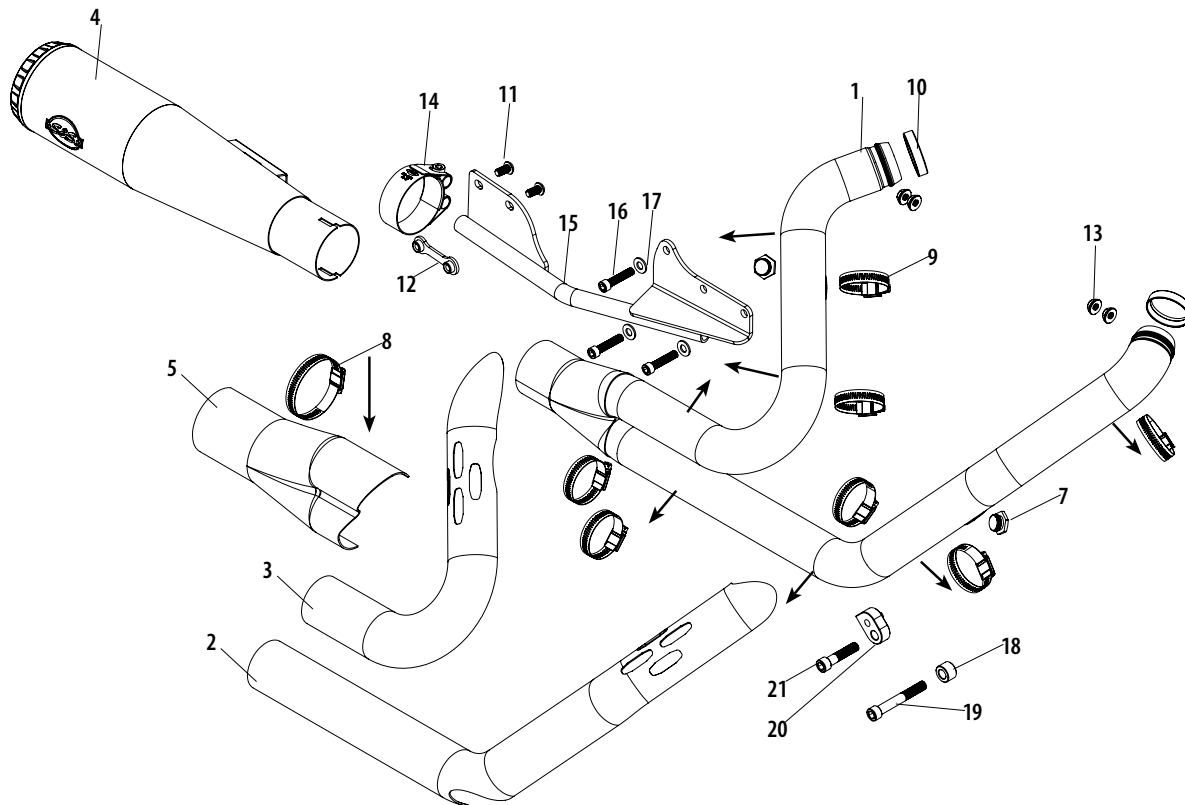
Replacement Parts

1. Header .....	551-1300	\$161.95
2. Front Heat Shield		
Stainless Steel .....	551-1393	\$163.95
Black .....	551-1424	\$172.95
3. Rear Heat Shield		
Stainless Steel .....	551-1394	\$164.95
Black .....	551-1425	\$167.95
4. Muffler — 50 State		
Stainless Steel .....	551-1241	
Black .....	551-1423	\$1,244.95
4. Muffler — Race		
Stainless Steel .....	551-1242	\$305.95
Black .....	551-1422	\$308.95
5. Collector Heat Shield		
Stainless Steel .....	551-1390	\$142.95
Black .....	551-1426	\$142.95
7. Plug, M18 x 1.5 Thread .....	551-0122	\$13.95
8. Clamp, Hose, Worm Drive, SAE #40 .....	551-0402	\$6.95
9. Clamp, Hose, Worm Drive, SAE #24 .....	500-0791	\$4.95
10. Gasket.....	106-5029	\$7.95
11. Screw, 5/16-18 x 5/8" .....	500-1091	\$4.95
12. Plate, Nut, 5/16-18 x 2" .....	551-0469	\$5.95
13. Nut, HSFH, 5/16-24 .....	50-5025-S	\$7.95
14. Clamp, Muffler, 2.5" Diameter .....	551-1272	\$11.95

15. Mounting Bracket .....	551-1923	\$81.95
16. Screw, SHC, 5/16-18 x 1-1/2" .....	106-4401	\$4.95
17. Washer .....	50-7034	\$4.95
18. Front floorboard spacer .....	551-0401	\$11.95
19. Screw, 3/8-16 x 2-3/4" .....	500-0790	\$4.95
20. Rear floorboard spacer .....	551-0399	\$50.95
21. Screw, 3/8-16 x 1-3/4" .....	500-0789	\$4.95

**Not Shown:**

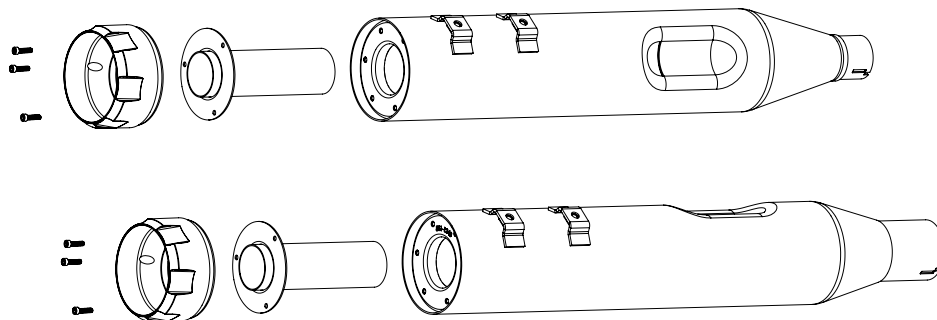
Insert, Assembly, Muffler, 4" OD Shell, 1.75" x .049" Wall x 2", SAE J2825551-0063		
dB Insert-50 State, 4", SAE J2825 .....	551-1405	\$9.95
Hardware Kit N/S .....	551-1398	\$81.95



Including Ec Version

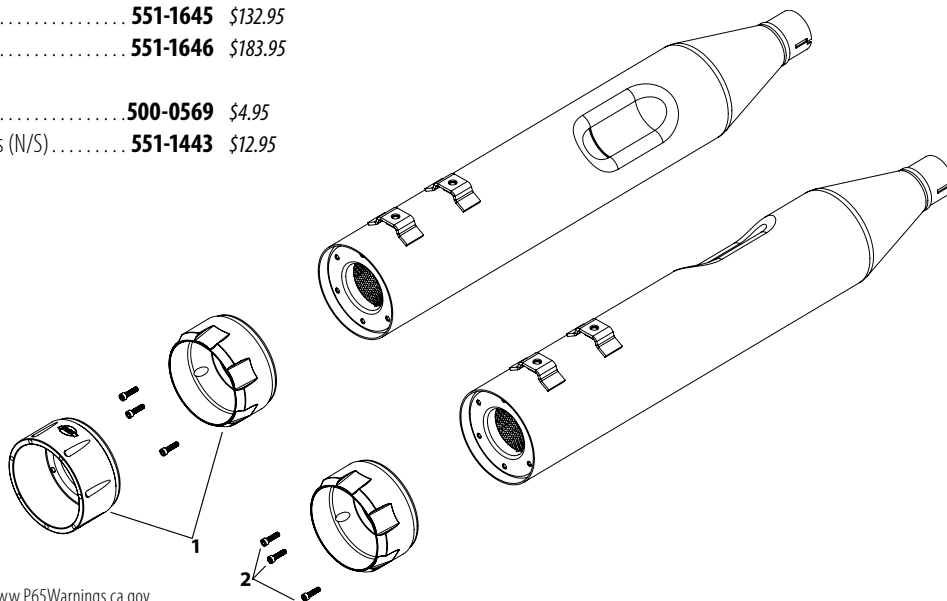
BW

- |  |                 |          |
|--|-----------------|----------|
| 1. Right 4.5" Muffler assembly for 2017–later models               |                 |          |
| Chrome .....   | <b>551-1354</b> | \$346.95 |
| Black .....  | <b>551-1353</b> | \$346.95 |
| 2. Left 4.5" Muffler assembly for 2017–later models                |                 |          |
| Chrome .....   | <b>551-1356</b> | \$346.95 |
| Black .....  | <b>551-1355</b> | \$346.95 |
| 3. dB reducer .....  | <b>551-1274</b> | \$34.95  |
| 4. End Cap   |                 |          |
| Black Thruster .....   | <b>551-1337</b> | \$65.95  |
| Chrome Thruster .....  | <b>551-1338</b> | \$163.95 |
| Black Highlight Machine Tracer .....                               | <b>551-1645</b> | \$132.95 |
| Chrome Tracer .....  | <b>551-1646</b> | \$183.95 |
| Black Cutlass .....  | <b>551-1339</b> | \$61.95  |
| 5. Screw, SHC, High Temp Lock Patch, 10-32 x 3/4", Stainless Steel | <b>500-0569</b> | \$4.95   |
| Not Shown  |                 |          |
| Hardware kit, muffler clamps and screws 2017–later models          |                 |          |
| Left .....   | <b>551-1443</b> |          |
| Right .....  | <b>551-1444</b> | \$12.95  |
| Baffle   |                 |          |
| Left .....   | <b>551-1345</b> | \$13.95  |
| Right .....  | <b>551-1346</b> | \$80.95  |
| Insulation .....   | <b>551-0003</b> | \$71.95  |
| Baffle Retaining Screw .....                                       | <b>500-0441</b> | \$31.95  |
|  |                 | \$4.95   |



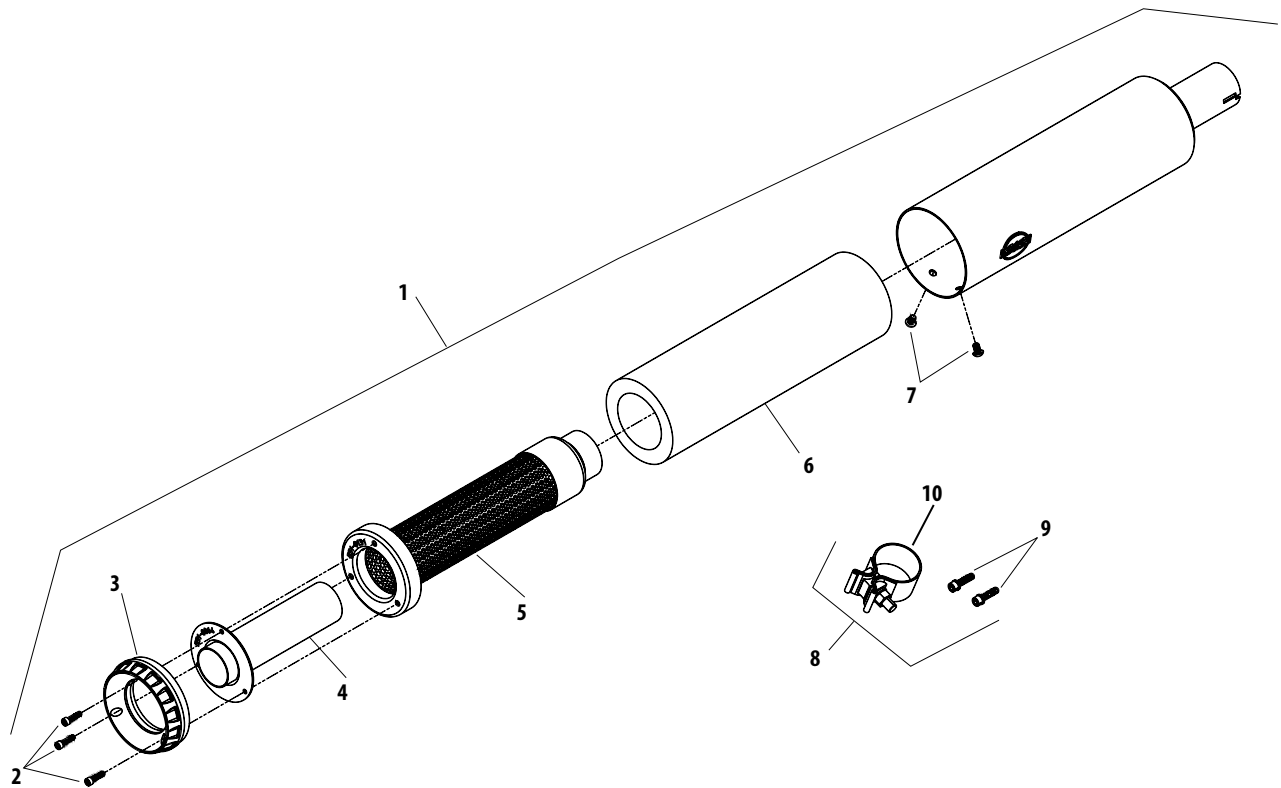
Mk45 Replacement Muffler System  
For El Dorado Exhaust System—Street Legal

- |  |                 |          |
|--|-----------------|----------|
| 1. End Cap   |                 |          |
| Thruster, Black .....                                  | <b>551-1337</b> | \$65.95  |
| Tracer, Highlight Machined .....                       | <b>551-1645</b> | \$132.95 |
| Tracer, Chrome .....                                   | <b>551-1646</b> | \$183.95 |
| 2. Screw, 10-32x3/4"                                   |                 |          |
| (3 required per muffler) .....                         | <b>500-0569</b> | \$4.95   |
| 3. Hardware Kit, muffler clamps and screws (N/S) ..... | <b>551-1443</b> | \$12.95  |



± WARNING: Cancer and Reproductive Harm – www.P65Warnings.ca.gov

1. Muffler, Grand National, Black, M8 Fat Bob®  
Front/Rear ..... **551-0431** \$636.95
2. Screw, Shc, High Temp Lock Patch, 10-32 X ¾",  
Stainless Steel ..... **500-0569** \$4.95
3. 4" End cap, Grand National, Black. .... **551-0291** \$50.95
4. dB Reducer Baffle Assembly ..... **551-0063** \$30.95
5. Baffle, Assembly ..... **551-0422** \$71.95
6. Fiberglass Wrap, Pillow, 12" X 13" ..... **551-0276** \$24.95
7. Screw, BHC, High Temp Lock Patch, ¼-20 ..... **500-0441** \$4.95
8. Hardware Kit, Muffler, M8 Fat Bob® ..... **551-0425** \$50.95  
Screw, Shcs, W/ Flat Washer, ¼-20 X 1",
9. Zinc, Astm A574-92A 4741A ..... **50-0092-S** \$7.95
10. Clamp, Muffler, Band Style, 1.75" ..... **551-0569** \$17.95



M8

2007-'17  
TWIN CAM  
96"/103"/110"

1999-'06  
TWIN CAM  
88"

SPORTSTER, STREET,  
NIGHTSTER, STREET ROD  
& BUELL

TOOLS &  
SHOP  
SUPPLIES

WARRANTY &  
COMPANY  
POLICY

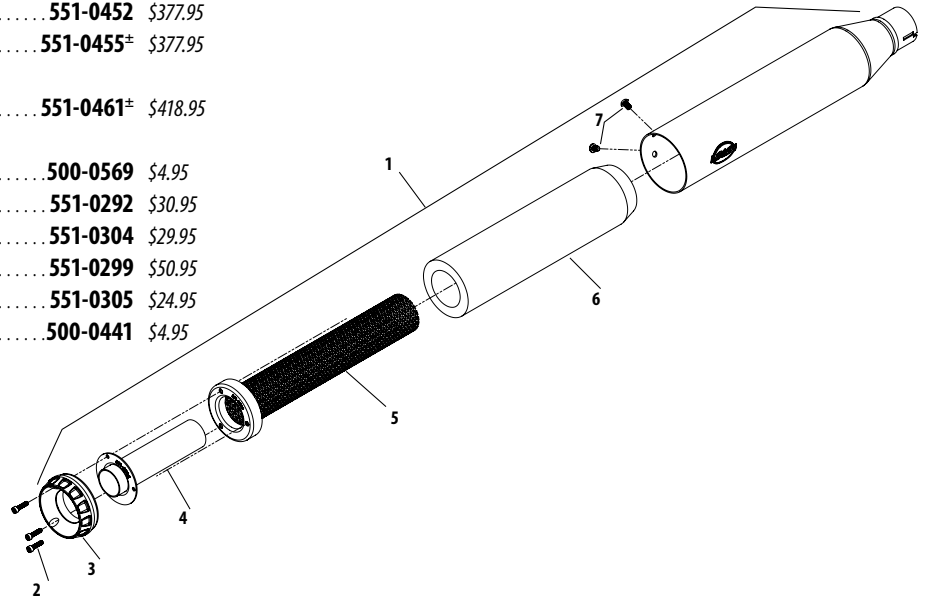
APPENDIX



**For 2018-'21 Softail® Models  
(Except Fat Bob®, Sport Glide®, & FXDR Models)**

1. Muffler Assembly  
M8 HD® Softail® Street Bob®, Low Rider®, Slim®, Fat Boy® & Breakout® models  
Top  
Black, ..... **551-0440** \$377.95  
Chrome..... **551-0443±** \$377.95  
Bottom  
Black..... **551-0452** \$377.95  
Chrome..... **551-0455±** \$377.95  
M8 Softail® Heritage® Classic and Deluxe  
Chrome Front or Rear ..... **551-0461±** \$418.95
2. Screw, SHC, High Temp Lock Patch,  
10-32x3/4", Stainless Steel ..... **500-0569** \$4.95
3. 3.25" End cap, Grand National, Black ..... **551-0292** \$30.95
4. dB Reducer Baffle Assembly ..... **551-0304** \$29.95
5. Baffle Assembly ..... **551-0299** \$50.95
6. Fiberglass Wrap ..... **551-0305** \$24.95
7. Screw, BHC, High Temp Lock Patch, 1/4-20 ..... **500-0441** \$4.95

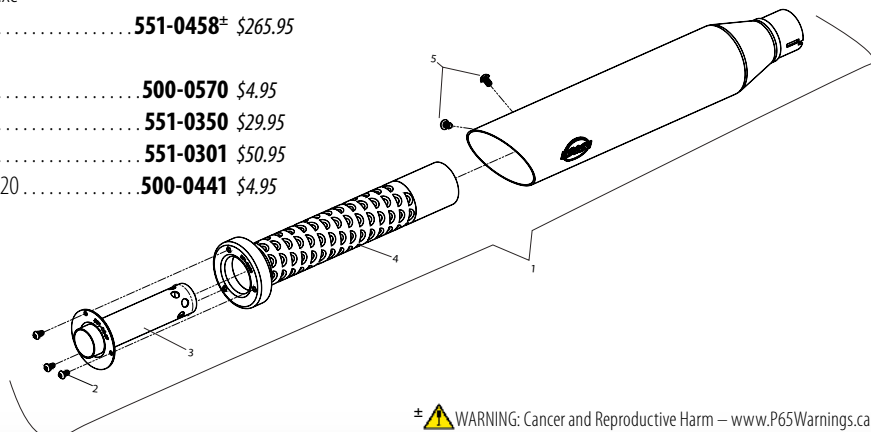
- Parts Not Shown**
8. Hardware Kit, Muffler, M8 Fat Bob® ..... **551-0425** \$50.95
  9. Screw, SHCS, w/Flat Washer, 1/4-20x1" 4741A ..... **50-0092-S** \$7.95
  10. Clamp, Muffler, Band Style, 1.75" ..... **551-0028** \$14.95
  11. Muffler Gasket..... **551-0360** \$9.95
  12. Bracket Cover (Exc. Heritage® Classic and Deluxe) ..... **551-0538** \$7.95



**Slash Cut Slip-Ons Replacement Parts  
For 2018-'21 Softail® Models (Except Fat Bob®, Sport Glide®, & Fxdr Models)**

1. Muffler Assembly  
M8 HD® Softail® Street Bob®, Low Rider®, Slim®, Fat Boy® & Breakout® models  
Top  
Black..... **551-0434** \$265.95  
Chrome..... **551-0437±** \$265.95  
Bottom  
Black..... **551-0446** \$265.95  
Chrome..... **551-0449±** \$265.95  
M8 Softail® Heritage® Classic and Deluxe®  
Chrome, Front, or Rear ..... **551-0458±** \$265.95
2. Screw, BHC, High Temp Lock Patch,  
10-32x3/8", Stainless Steel ..... **500-0570** \$4.95
3. dB Reducer Baffle Assembly ..... **551-0350** \$29.95
4. Baffle Assembly ..... **551-0301** \$50.95
5. Screw, BHC, High Temp Lock Patch, 1/4-20 ..... **500-0441** \$4.95

- Parts Not Shown**
6. Hardware Kit, Muffler ..... **551-0425** \$50.95
  7. Screw, SHCS, w/Flat Washer, 1/4-20x1" 4741A ..... **50-0092-S** \$7.95
  8. Clamp, Muffler, Band Style, 1.75" ..... **551-0028** \$14.95
  9. Muffler Gasket..... **551-0360** \$9.95
  10. Bracket Cover (Exc. Heritage® Classic and Deluxe®) ..... **551-0538** \$7.95

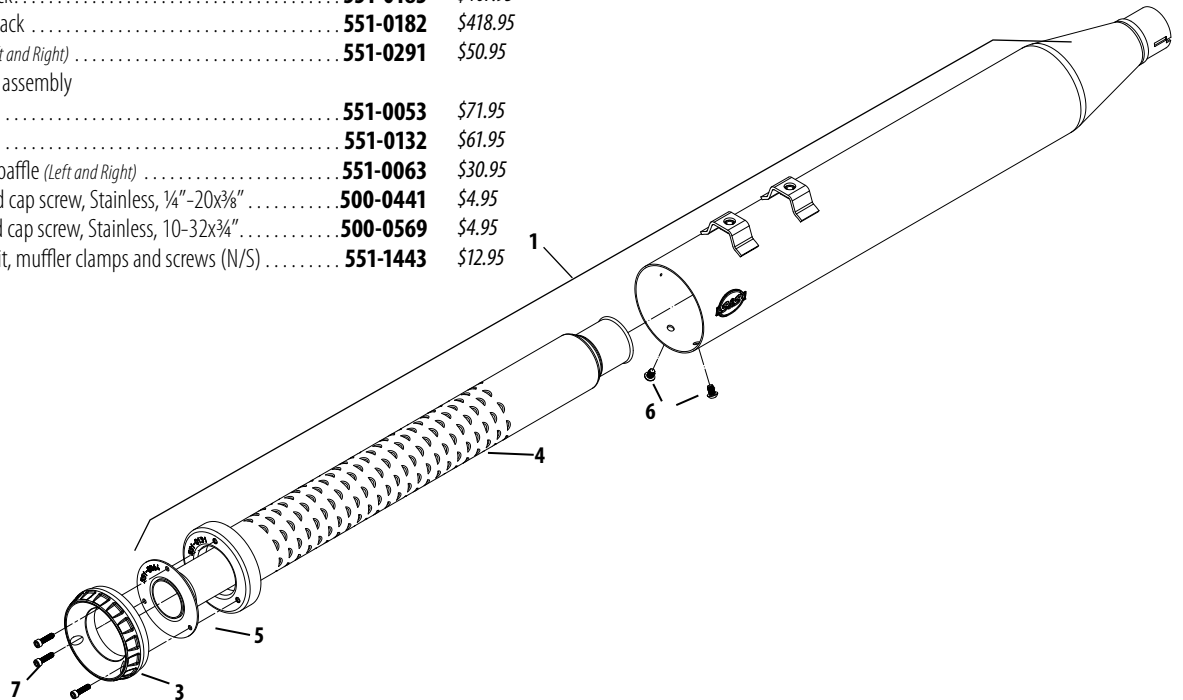


± WARNING: Cancer and Reproductive Harm – www.P65Warnings.ca.gov



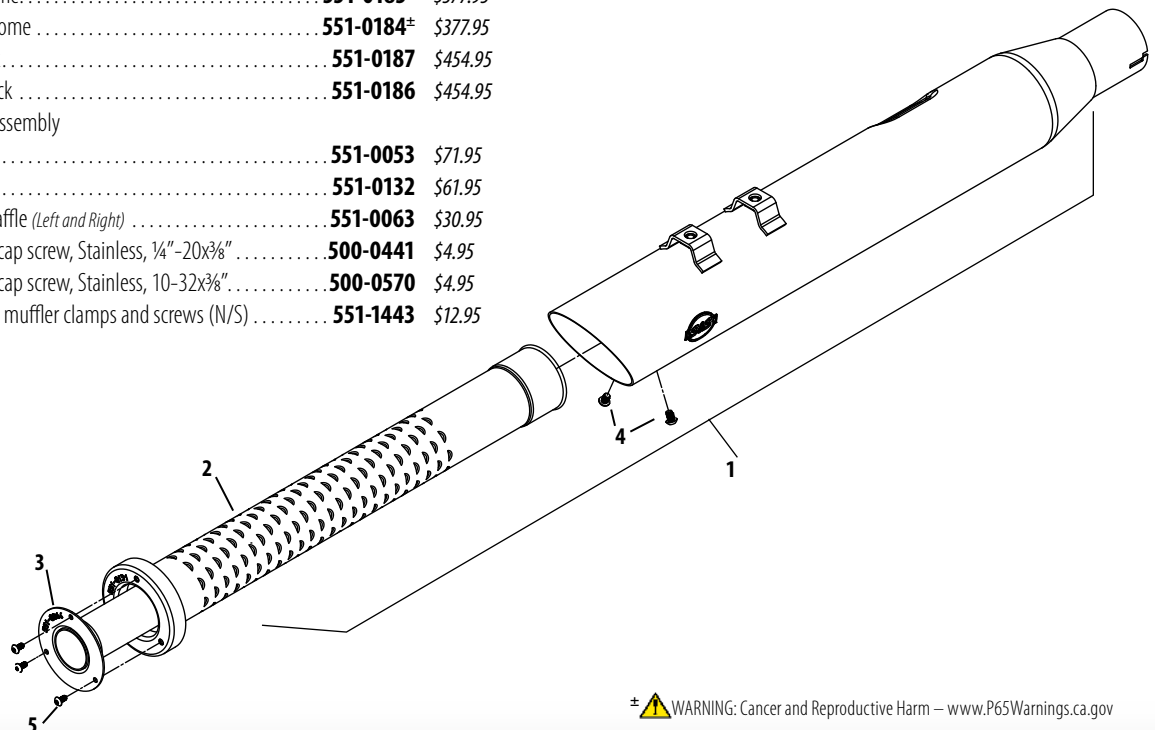


- 1. 4" Muffler assembly with Grand National End cap
  - Left, Chrome..... **551-0181**± \$346.95
  - Right, Chrome..... **551-0180**± \$346.95
  - Left, Black..... **551-0183** \$407.95
  - Right, Black..... **551-0182** \$418.95
- 3. End cap (Left and Right)..... **551-0291** \$50.95
- 4. Main baffle assembly
  - Left..... **551-0053** \$71.95
  - Right..... **551-0132** \$61.95
- 5. dB reducer baffle (Left and Right)..... **551-0063** \$30.95
- 6. Button head cap screw, Stainless, ¼"–20x¾"..... **500-0441** \$4.95
- 7. Socket head cap screw, Stainless, 10–32x¾"..... **500-0569** \$4.95
- 9. Hardware kit, muffler clamps and screws (N/S)..... **551-1443** \$12.95



**Slash Cut Slip-Ons Replacement Parts**  
4" For 2017–2021 Flh Touring Models

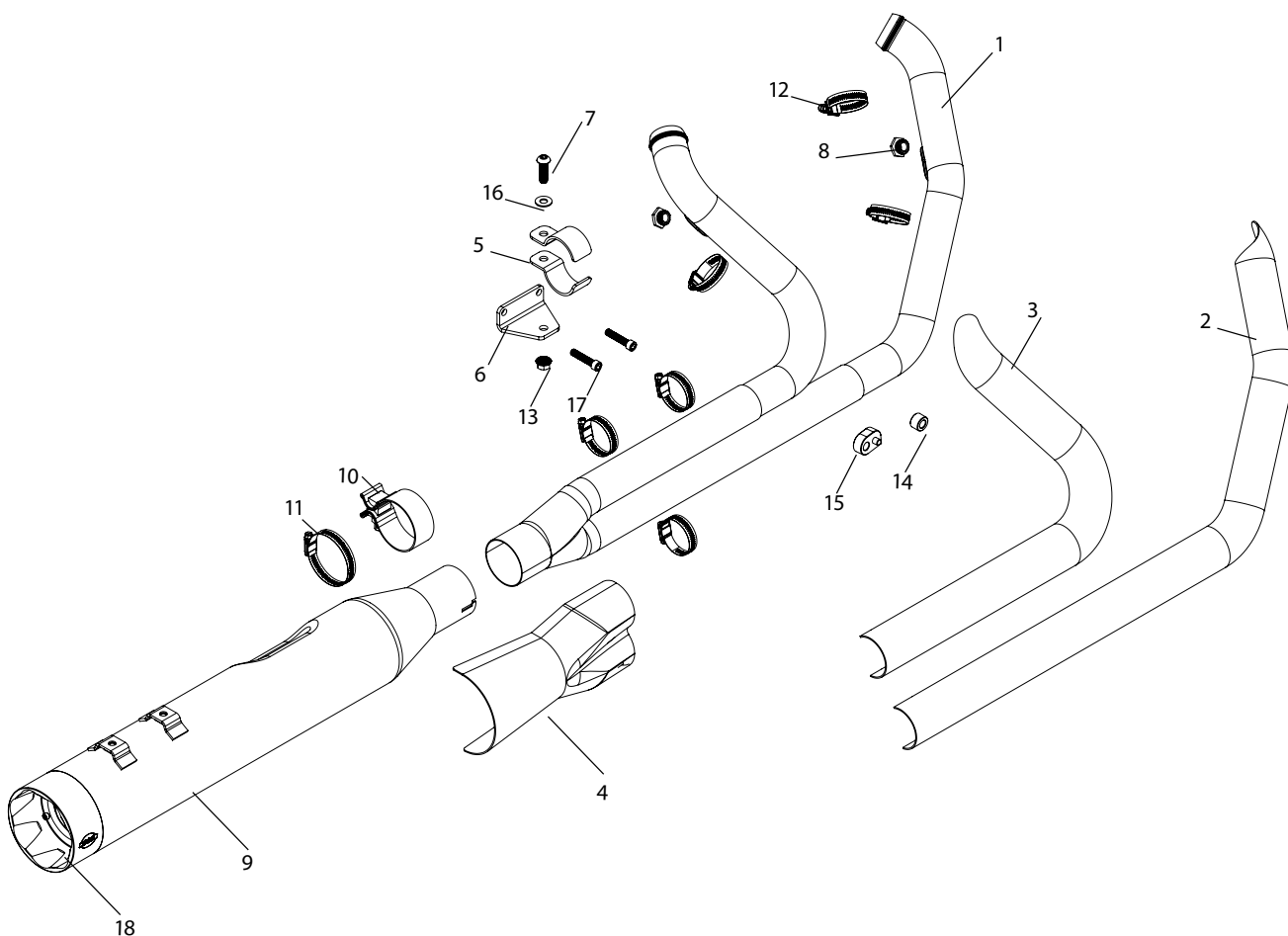
- 1. 4" Muffler assembly Slash Down
  - Left, Chrome..... **551-0185**± \$377.95
  - Right, Chrome..... **551-0184**± \$377.95
  - Left, Black..... **551-0187** \$454.95
  - Right, Black..... **551-0186** \$454.95
- 2. Main baffle assembly
  - Left..... **551-0053** \$71.95
  - Right..... **551-0132** \$61.95
- 3. dB reducer baffle (Left and Right)..... **551-0063** \$30.95
- 4. Button head cap screw, Stainless, ¼"–20x¾"..... **500-0441** \$4.95
- 5. Button head cap screw, Stainless, 10–32x¾"..... **500-0570** \$4.95
- 6. Hardware kit, muffler clamps and screws (N/S)..... **551-1443** \$12.95



± WARNING: Cancer and Reproductive Harm – www.P65Warnings.ca.gov



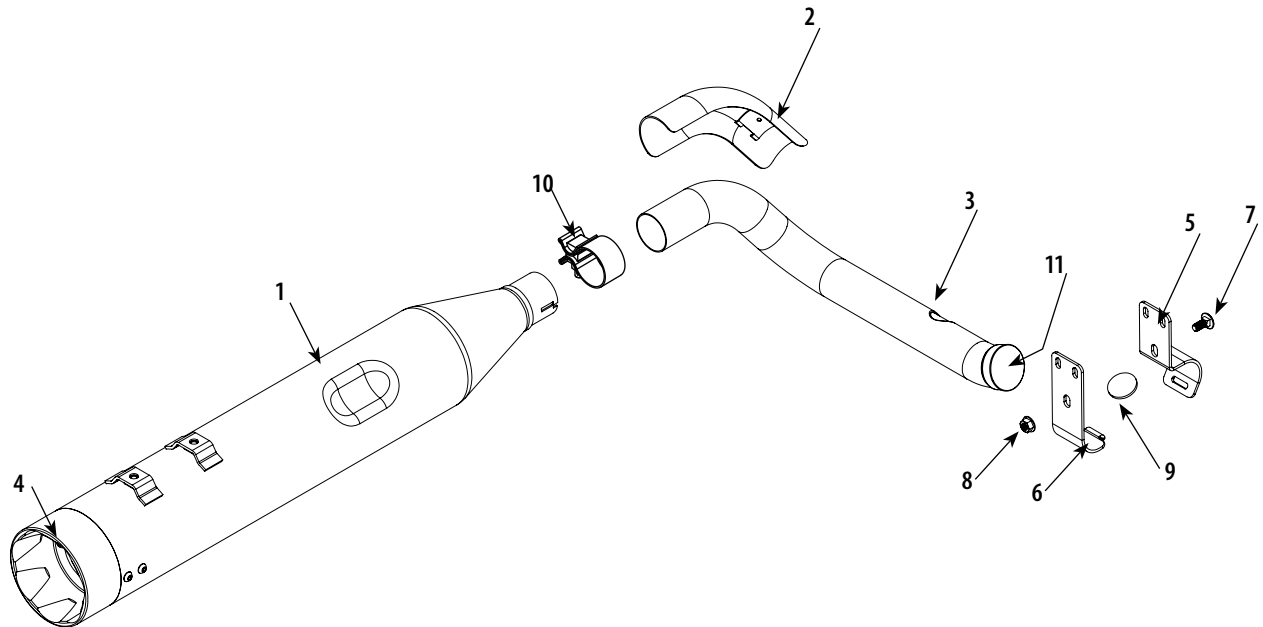
1. Header, Assembly, 2 into 1, Weldment, 2017-'18 M8 Touring	<b>551-0367</b>	\$350.95	Race, Black.....	<b>551-0394A</b>	\$605.95
2. Front Heat Shield			Street Legal, Chrome.....	<b>551-0529D</b>	\$1,009.95
Chrome.....	<b>551-0385</b>	\$254.95	Street Legal, Black.....	<b>551-0530D</b>	\$1,009.95
Black.....	<b>551-0387A</b>	\$224.95	10. Clamp, Muffler, Band Style, 2.5".....	<b>551-0135</b>	\$15.95
3. Rear Heat Shield			11. Clamp, Hose, Worm Drive, SAE #40.....	<b>551-0402</b>	\$6.95
Chrome.....	<b>551-0391</b>	\$193.95	12. Clamp, Hose, Worm Drive, SAE #20.....	<b>551-0527</b>	\$4.95
Black.....	<b>551-0393A</b>	\$216.95	13. Nut, Flanged, Serrated, 3/8-16.....	<b>500-0554</b>	\$4.95
4. Heat Shield Collector			14. Washer, Spacer, Floor Board.....	<b>551-0400</b>	\$4.95
Chrome.....	<b>551-0379</b>	\$18.95	15. Spacer, Floor Board, Powdercoated.....	<b>551-0399</b>	\$50.95
Black.....	<b>551-0381A</b>	\$142.95	16. Washer, Flat, .375" x .813" x .063", Zinc, Steel.....	<b>50-7051</b>	\$4.95
5. Clamp, Header Mount, 2 into 1, Chrome Plate, Mild Steel, 11 Gauge, 2017-'18 M8 Touring.....	<b>551-0361</b>	\$10.95	17. Screw, SHC, 5/16-18 x 1-1/2", Zinc Plated, ASTM A574-92A	<b>106-4401</b>	\$4.95
6. Bracket, Header Mount, 2 into 1, Compact, Powdercoated, 2017-'21 M8 Touring.....	<b>551-1802</b>	\$19.95	18. End cap.....	<b>551-1341</b>	\$119.95
7. Screw, BHC, 3/8-16 x 1-1/4", Zinc, Steel.....	<b>500-1581</b>	\$4.95			
8. Adapter, Oxygen Sensor, 12mm to 18mm, Stainless Steel	<b>550-0375</b>	\$14.95	<b>Not Shown:</b>		
9. Muffler Shell, Race, Chrome.....	<b>551-0403</b>	\$539.95	Baffle -SAE J2825.....	<b>551-1274</b>	\$34.95



⚠ WARNING: Cancer and Reproductive Harm – www.P65Warnings.ca.gov



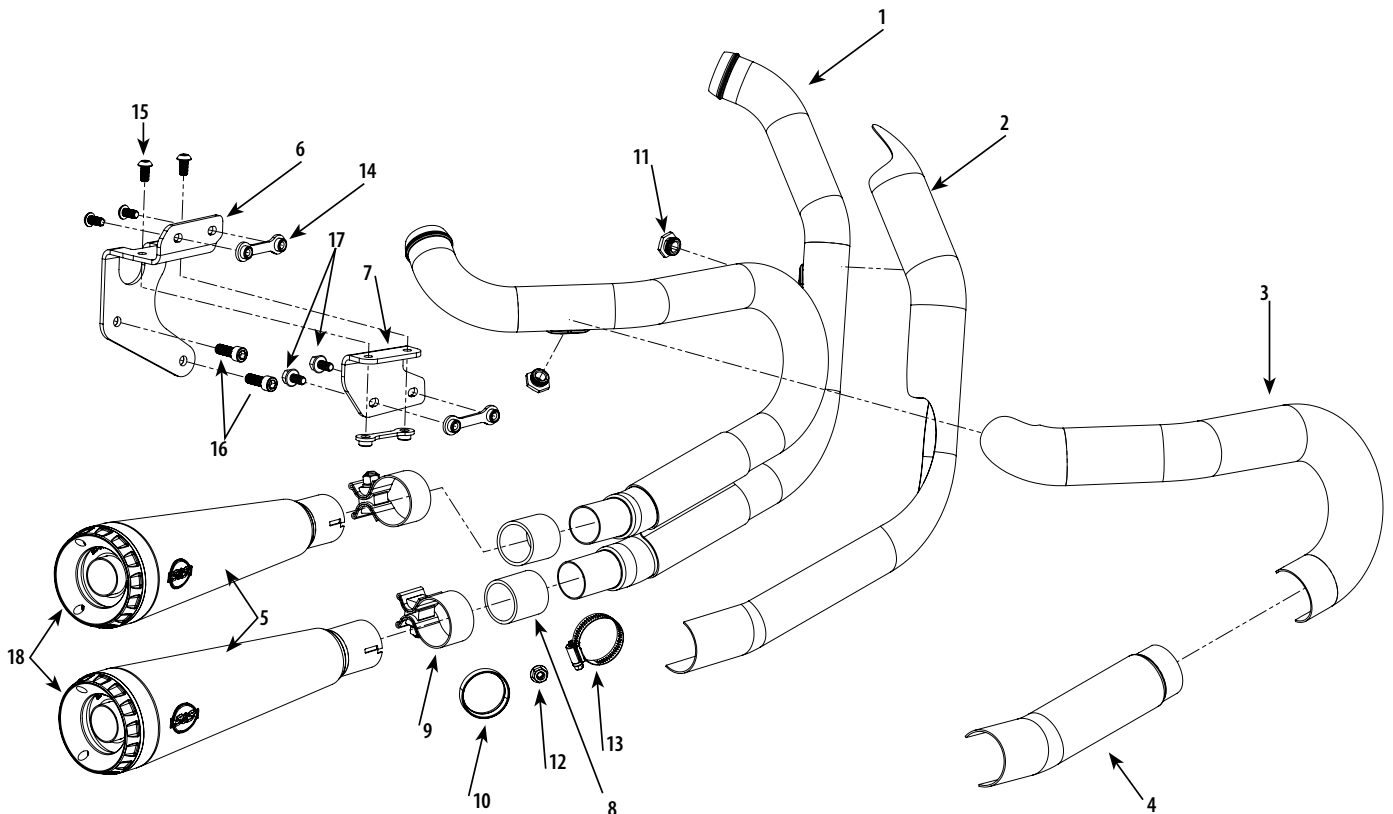
1. Muffler shell		
Chrome .....	<b>551-1673</b>	\$356.95
Black .....	<b>551-1672</b>	\$356.95
2. Heat Shield		
Chrome .....	<b>551-0115</b>	\$71.95
Black .....	<b>551-0116</b>	\$71.95
3. Crossover .....	<b>551-0080</b>	\$90.95
4. End Cap .....	<b>551-1341</b>	\$119.95
Hardware Kit, Includes #5–9 .....	<b>551-1005</b>	\$70.95
5. Female clamp half .....	<b>551-0568</b>	\$12.95
6. Male clamp half .....	<b>551-0567</b>	\$12.95
7. Bolt, Carriage, 5/16-18 x 3/4" .....	<b>500-0555</b>	\$4.95
8. Nut, HSFH, 5/16-18 UNC-2B x .283", Zinc, Steel .....	<b>50-5053-S</b>	\$4.95
9. Bumper .....	<b>551-1419</b>	\$4.95
10. Muffler clamp .....	<b>551-0977</b>	\$6.95
11. Plug .....	<b>551-1000</b>	\$4.95



± WARNING: Cancer and Reproductive Harm – [www.P65Warnings.ca.gov](http://www.P65Warnings.ca.gov)



- |   |                   |          |  |                  |         |
|---|-------------------|----------|--|------------------|---------|
| 1. Pipe, Header, 2 into 2, Weldment, M8 Softail™ except Fat Boy™, and ... Breakout™ ..... | <b>551-0547</b>   | \$289.95 | 8. Gasket, Muffler, 3.25", 2018 M8 Softail® .....                              | <b>551-0360</b>  | \$9.95  |
| 2. Front Shield,<br>Black .....   | <b>551-0551A</b>  | \$239.95 | 9. Clamp, Muffler, Band Style .....  | <b>551-0028</b>  | \$14.95 |
| Chrome .....  | <b>551-0553±</b>  | \$189.95 | 10. Gasket, Exhaust, Tapered, Stainless Steel,<br>1984-up bt, 1986-up xl ..... | <b>106-5029</b>  | \$7.95  |
| 3. Rear Shield,<br>Black .....  | <b>551-0557</b>   | \$209.95 | 11. Adapter, Oxygen Sensor, 12mm to 18mm, Stainless Steel                      | <b>550-0375</b>  | \$14.95 |
| Chrome .....  | <b>551-0559±</b>  | \$179.95 | 12. Nut, HSFH, 5/16-18 UNC-2B x .283", Zinc, Steel .....                       | <b>50-5053-S</b> | \$4.95  |
| 4. Lower Rear Shield,<br>Black .....  | <b>551-0661</b>   | \$109.95 | 13. Clamp, Hose, Worm Drive, SAE #20 .....                                     | <b>551-0527</b>  | \$4.95  |
| Chrome .....  | <b>N/A</b>        | -        | 14. Plate, Nut, 5/16-18 x 2", Clear, Zinc .....                                | <b>551-0469</b>  | \$5.95  |
| 5. Muffler Body,<br>Race<br>Chrome .....  | <b>551-0477±</b>  | \$369.95 | 15. Screw, BHC, 5/16-18 x 5/8", Zinc Plated .....                              | <b>500-0763</b>  | \$4.95  |
| Street Legal<br>Black .....   | <b>N/A</b>        | -        | 16. Screw, SHCS, 3/8-16 x 1" .....   | <b>50-0161</b>   | \$4.95  |
| Chrome .....  | <b>551-0906A±</b> | \$569.95 | 17. Screw, Flanged, 5/16-18 x 5/8", Zinc Plated .....                          | <b>500-0984</b>  | \$4.95  |
| 6. Bracket, Mounting, 2-2, Black, M8 Softail® .....                                       | <b>N/A</b>        | -        | 18. End cap .....  | <b>551-0291</b>  | \$50.95 |
| 7. Bracket, Bottom, Mounting, 2-2, Black .....  | <b>551-0563</b>   | \$18.95  |  |                  |         |



± WARNING: Cancer and Reproductive Harm – www.P65Warnings.ca.gov

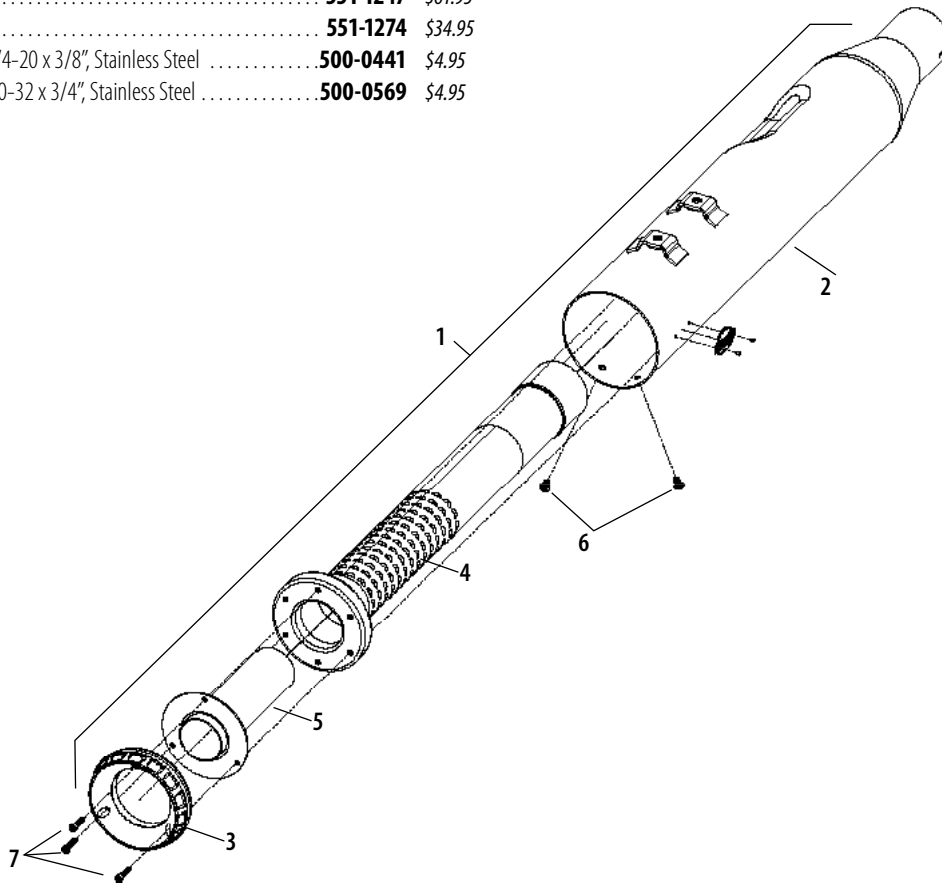
See page 71 for mid mount brake pedal kit replacement parts

1. 4.5" Muffler assembly for M8 Models
  - Right, Black ..... **551-1268** \$295.95
  - Left, Black ..... **551-1269** \$295.95
  - Right, Chrome ..... **551-1270** \$377.95
  - Left, Chrome ..... **551-1271** \$377.95
2. Muffler Shell (with Badge)
  - Right, Black ..... **551-1259** \$229.95
  - Left, Black ..... **551-1262A** \$196.95
  - Right, Chrome ..... **551-1260** \$319.95
  - Left, Chrome ..... **551-1263A** \$219.95
3. End cap ..... **551-1251** \$40.95
4. Baffle
  - Left, ..... **551-1246** \$61.95
  - Right, ..... **551-1247** \$61.95
5. dB reducer ..... **551-1274** \$34.95
6. Screw, BHC, 1/4-20 x 3/8", Stainless Steel ..... **500-0441** \$4.95
7. Screw, SHC, 10-32 x 3/4", Stainless Steel ..... **500-0569** \$4.95

**Not Shown**

Hardware kit, muffler clamps and screws

- Left ..... **551-1443** \$12.95
- Right ..... **551-1444** \$13.95



± WARNING: Cancer and Reproductive Harm – www.P65Warnings.ca.gov

# Power Tune® Dual Replacement Header For El Dorado Exhaust System - Street Legal



Late Model M8

8 W

## REPLACEMENT HEADER FOR EL DORADO EXHAUST SYSTEM—STREET LEGAL

Finish	Part #	MSRP
Chrome	<b>550-0704</b>	<b>\$679.95</b>
Black	<b>550-0705</b>	<b>\$744.95</b>

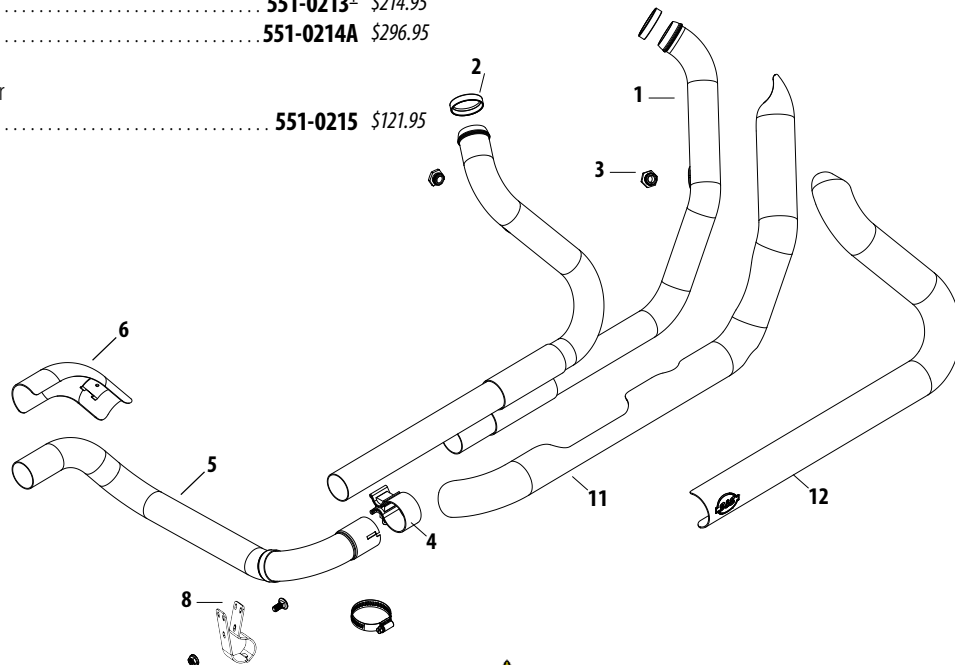
NOT LEGAL FOR SALE OR USE IN CALIFORNIA ON ANY POLLUTION CONTROLLED MOTOR VEHICLE. NOT LEGAL FOR SALE OR USE NATIONWIDE ON ANY FEDERAL POLLUTION CONTROLLED MOTOR VEHICLE UNDER THE CLEAN AIR ACT  
This part is emissions compliant only when used as part of a complete El Dorado exhaust system.

WARNING: Cancer and Reproductive Harm — www.P65Warnings.ca.gov



## Power Tune® Dual Header Replacement Parts For El Dorado Exhaust System—Street Legal

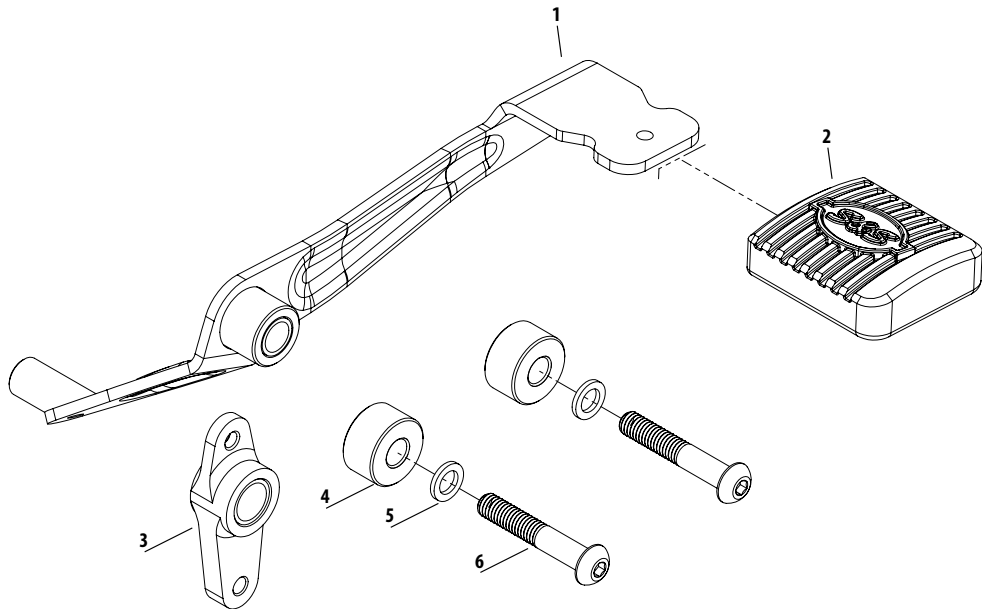
- 1. Pipe, header, power tune dual, header pipe weldment ..... **551-0198** \$265.95
- 2. Gasket, exhaust, tapered, stainless steel, (2 Req.) ..... **106-5029** \$7.95
- 3. Adapter, oxygen sensor, 12mm to 18mm, stainless steel (2 Req.) ..... **550-0375** \$14.95
- 4. Clamp, muffler, band style ..... **551-0028** \$14.95
- 5. Tube, crossover, power tune dual, formed, ..... **551-0229** \$90.95
- 6. Shield, left, power tune dual,
  - Chrome ..... **551-0115±** \$71.95
  - Black ..... **551-0116** \$71.95
- 7. Nut, HSFH, 5/16"-18 UNC-2b x .283", Zinc, steel ..... **50-5053-S** \$4.95
- 8. Clamp, Kit, Crossover, Hinged, 2009-up Touring ..... **551-1472** 24.95
- 9. Bolt, carriage, 5/16"-18 x 3/4" ..... **500-0555** \$4.95
- 10. Clamp, hose (8 Req.) ..... **551-0124** \$4.95
- 11. Shield, front, power tune dual,
  - Chrome ..... **551-0206±** \$265.95
  - Black ..... **551-0207A** \$329.95
- 12. Shield, rear, power tune dual,
  - Chrome ..... **551-0213±** \$214.95
  - Black ..... **551-0214A** \$296.95
- Not Shown  
Hardware kit, power tune dual, header  
Includes items 2, 3, 4, 7, 8, and 9 ..... **551-0215** \$121.95



WARNING: Cancer and Reproductive Harm — www.P65Warnings.ca.gov



1. Lever, Brake, Mid Control, Powdercoated, Gloss Black, 2018-up M8 Softail® ..... **561-0014** \$81.95
2. Pad, Footrest, Slip On, 2-1/2" x 2-3/4" x 7/8", Rubber ..... **500-0954** \$21.95
3. Bellcrank, Mid Control, Powdercoated, Gloss Black, 2018-up M8 Softail® ..... **561-0012** \$75.95
- Hardware Kit, Brake Lever, Mid Control, 2018-up M8 Softail® .. **561-0005** \$91.95  
*(includes 4-6 below)*
4. Spacer, Powdercoated, 1-1/8" OD x 7/16" ID x 5/8", Gloss Black **561-0004**
5. Washer, Flat, 5/8" x .390" x .078", Stainless Steel, 18-8  
*(each, qty 2 needed)* ..... **500-1060** \$10.95
6. Screw, BHC, 3/8-16 x 2-1/4", Zinc Plated, Alloy Steel \$4.95  
*(each, qty 2 needed)* ..... **500-1044** \$22.95



M8

2007-'17  
TWIN CAM  
96"/103"/110"

1999-'06  
TWIN CAM  
88"

SPORTSTER, STREET,  
NIGHTSTER, STREET ROD  
& BUELL

TOOLS &  
SHOP  
SUPPLIES

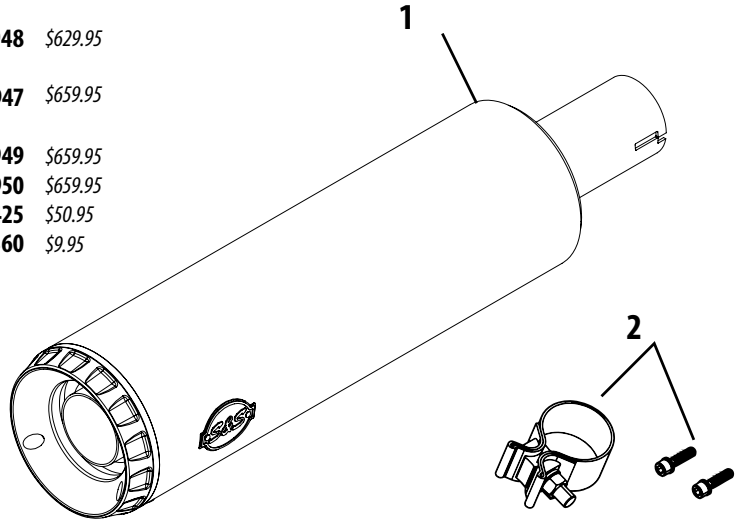
WARRANTY &  
COMPANY  
POLICY

APPENDIX



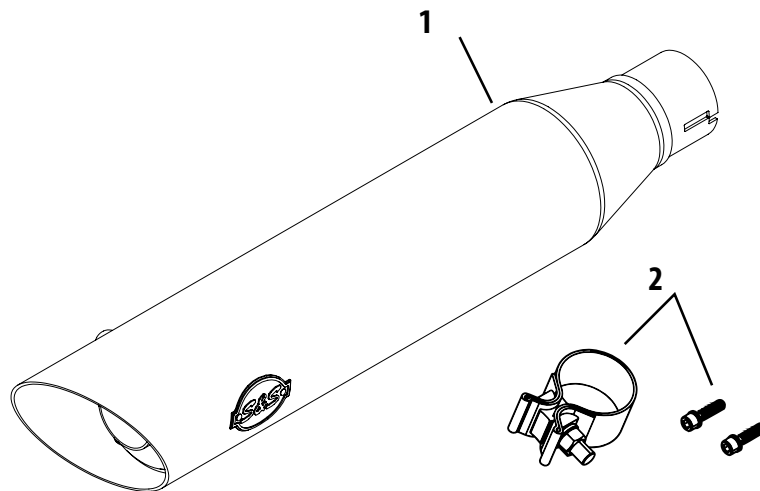
Replacement Parts

- 1. Muffler
  - Upper, Black,  
Street Bob®, Low Rider®, Slim®, Fat Boy® & Breakout® . . . **551-0946** \$659.95
  - Lower, Black,  
Street Bob, Low Rider, Slim, Fat Boy & Breakout . . . . . **551-0948** \$629.95
  - Upper, Chrome,  
Street Bob, Low Rider, Slim, Fat Boy & Breakout . . . . . **551-0947** \$659.95
  - Lower, Chrome,  
Street Bob, Low Rider, Slim, Fat Boy & Breakout . . . . . **551-0949** \$659.95
  - Chrome, Heritage® and Deluxe . . . . . **551-0950** \$659.95
- 2. Hardware Kit . . . . . **551-0425** \$50.95
- 3. Gasket (N/S) . . . . . **551-0360** \$9.95



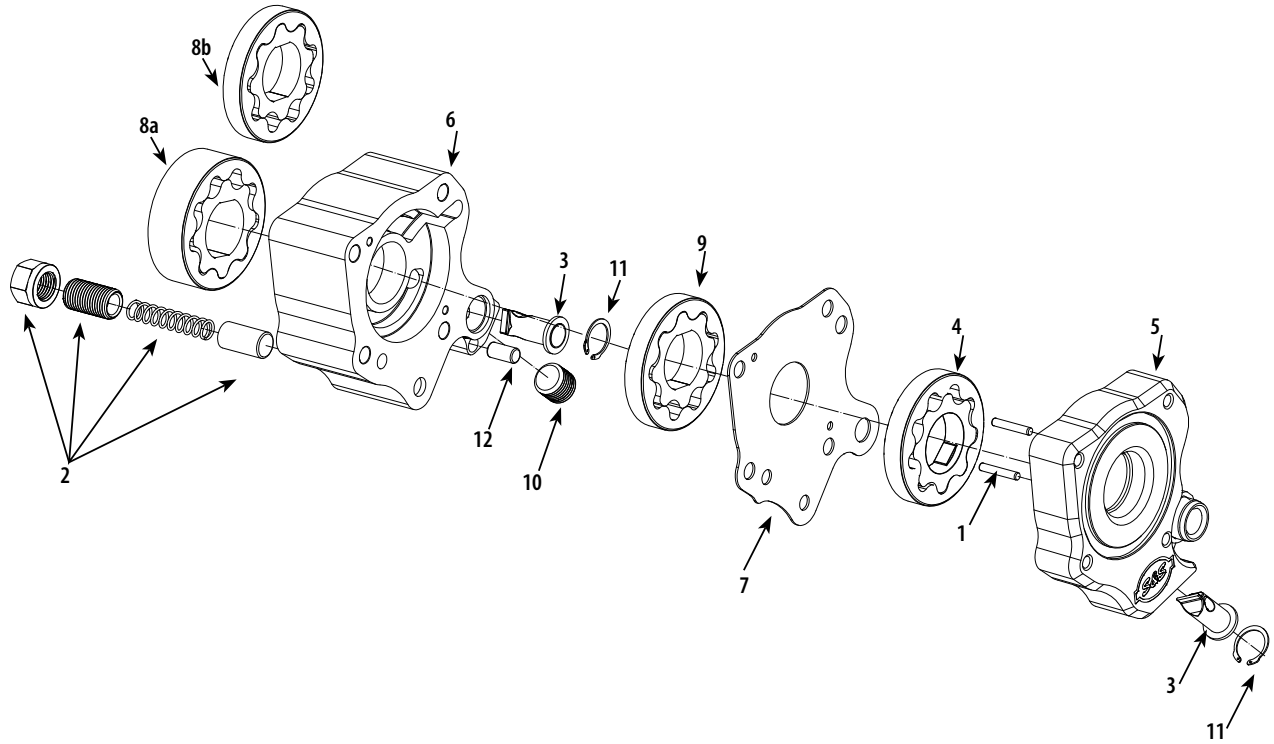
Slash-Cut Ec Slip-On Muffler Replacement Parts

- 1. Muffler
  - Upper, Black,  
Street Bob®, Low Rider®, Slim®, Fat Boy® & Breakout® . . . **551-0941** \$659.95
  - Lower, Black,  
Street Bob, Low Rider, Slim, Fat Boy & Breakout . . . . . **551-0943** \$659.95
  - Upper, Chrome,  
Street Bob, Low Rider, Slim, Fat Boy & Breakout . . . . . **551-0942** \$659.95
  - Lower, Chrome,  
Street Bob, Low Rider, Slim, Fat Boy & Breakout . . . . . **551-0944** \$659.95
  - Chrome, Heritage and Deluxe . . . . . **551-0945** \$659.95
- 2. Hardware Kit . . . . . **551-0425** \$50.95
- 3. Gasket (N/S) . . . . . **551-0360** \$9.95





1. Dowel pin, 0.125"x0.750", 2 Pack .....	<b>500-0967</b>	\$9.95
2. Pressure Relief Valve Assembly .....	<b>500-0949</b>	\$61.95
3. Stainless Steel Mesh Screen (2) .....	<b>310-0546</b>	\$15.95
4. Rotor Set, Oil Pump, Cam Chest Scavenge .....	<b>310-1092</b>	\$71.95
5. Oil Pump Housing, Return Side .....	<b>N/A</b>	—
6. Oil Pump Housing, Supply Side, Oil Cooled .....	<b>N/A</b>	—
Oil Pump Housing, Supply Side Water Cooled .....	<b>N/A</b>	—
7. Divider Plate .....	<b>310-0948</b>	\$14.95
8a. Rotor Set, Oil Pump Feed Gear (Oil-Cooled models) .....	<b>310-0955</b>	\$122.95
8b. Rotor Set, Oil Pump, Feed Gear (Water-Cooled models) ..	<b>310-1048</b>	\$61.95
9. Rotor Set, Oil Pump, Flywheel Scavenge .....	<b>310-1048</b>	\$61.95
10. 1/4" Pipe Plug .....	<b>50-8330A</b>	\$4.95
11. Retaining Ring 5 Pack .....	<b>500-0968</b>	\$12.95
12. Magnet, .250" x .500" .....	<b>N/A</b>	—



M8

2007-'17  
TWIN CAM  
96"/103"/110"

1999-'06  
TWIN CAM  
88"

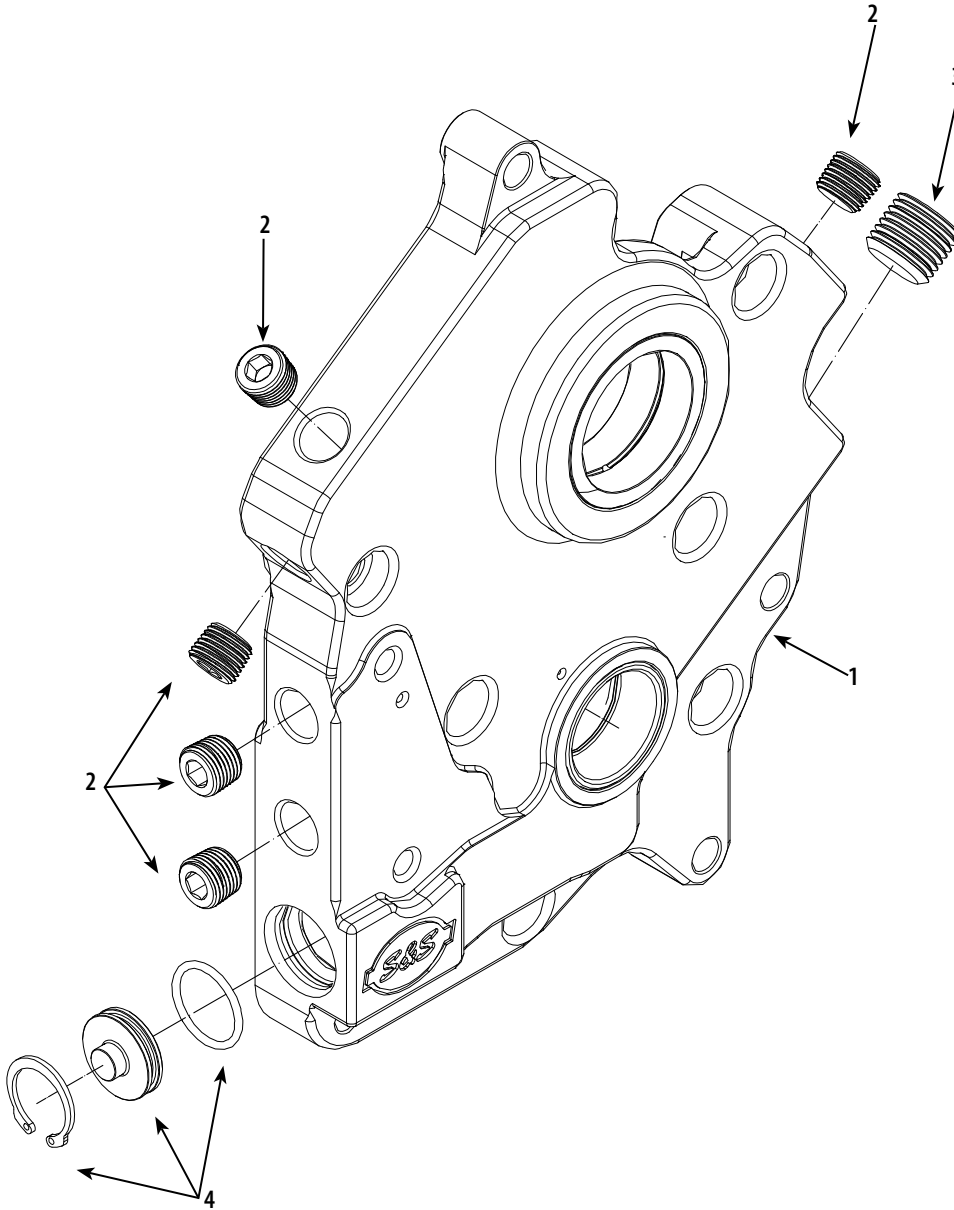
SPORTSTER, STREET,  
NIGHTSTER, STREET ROD  
& BUELL

TOOLS &  
SHOP  
SUPPLIES

WARRANTY &  
COMPANY  
POLICY

APPENDIX

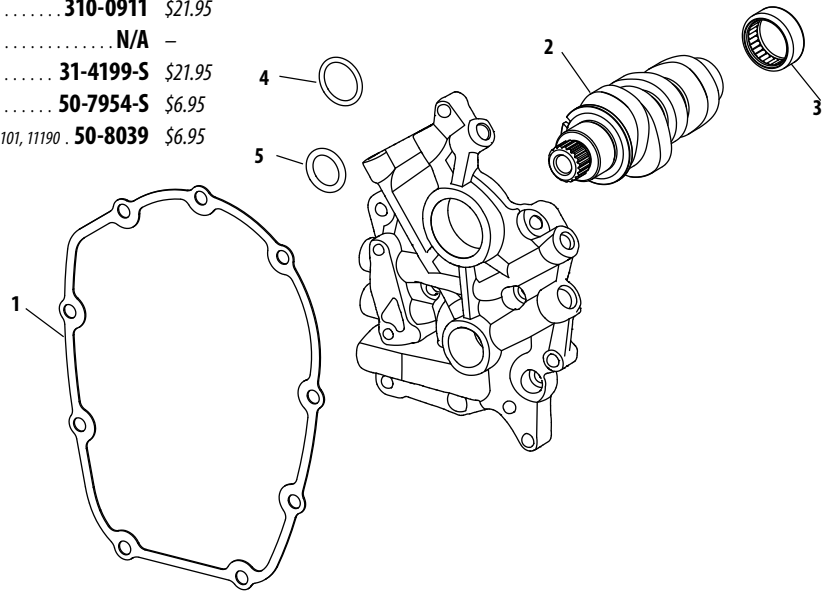
1. Cam support plate .....	<b>N/A</b>	–
2. 1/8" pipe plug, 45830-48 10 pack .....	<b>50-1015</b>	\$15.95
3. 1/4" pipe plug .....	<b>50-8330A</b>	\$4.95
4. M8 cam support plate oil supply plug kit .....	<b>500-0966</b>	\$16.95
5. Hydraulic tensioner block off plate kit N/S .....	<b>310-0962</b>	\$14.95
6. O-ring kit N/S .....	<b>500-0850</b>	\$9.95



All reference to HD® part numbers is for identification purposes only. We in no way are implying that any of S&S Cycle's products are original equipment parts or that they are equivalent to the corresponding HD® part number shown.

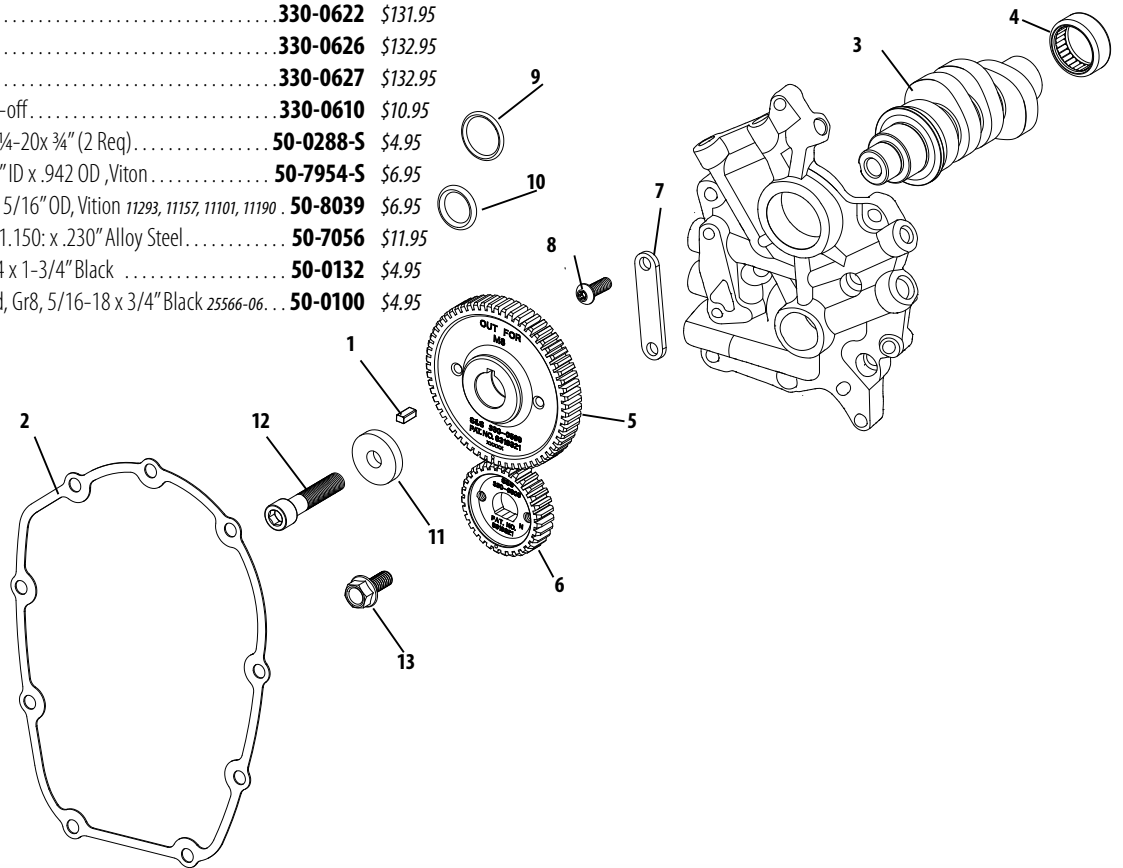


- 1. Gasket Cam Cover M8..... **310-0911** \$21.95
- 2. Cam Shaft ..... **N/A** -
- 3. Inner Cam Bearing<sup>9215</sup> ..... **31-4199-S** \$21.95
- 4. O-Ring, (-116) .737" ID x .942 OD, Viton..... **50-7954-S** \$6.95
- 5. O-Ring, 11/16 ID x 15/16" OD, Viton 11293, 11157, 11101, 11190 . **50-8039** \$6.95



Cam Kit Replacement Parts - Gear

- 1. Parallel Key ..... **106-1348** \$9.95
- 2. Gasket Cam Cover M8..... **310-0911** \$21.95
- 3. Cam Shaft ..... **N/A** -
- 4. Inner Cam Bearing <sup>9215</sup>..... **31-4199-S** \$21.95
- 5. Gear, Cam Drive..... **330-0621** \$252.95
- 6. Gear, Pinion 31 tooth  
Standard Size..... **330-0622** \$131.95  
Undersized..... **330-0626** \$132.95  
Oversized..... **330-0627** \$132.95
- 7. Plate, Oil Hole Block-off..... **330-0610** \$10.95
- 8. Button Head Screw 1/4-20x 3/4" (2 Req)..... **50-0288-S** \$4.95
- 9. O-Ring, (-116) .737" ID x .942 OD, Viton..... **50-7954-S** \$6.95
- 10. O-Ring, 11/16 ID x 15/16" OD, Viton 11293, 11157, 11101, 11190 . **50-8039** \$6.95
- 11. Flat Washer, .405" x 1.150" x .230" Alloy Steel..... **50-7056** \$11.95
- 12. Screw, SHCS, 3/8-24 x 1-3/4" Black ..... **50-0132** \$4.95
- 13. Screw, HHC, Flanged, Gr8, 5/16-18 x 3/4" Black 25566-06... **50-0100** \$4.95



M8

2007-'17  
TWIN CAM  
96"/103"/110"

1999-'06  
TWIN CAM  
88"

SPORTSTER, STREET,  
NIGHTSTER, STREET ROD  
& BIULL

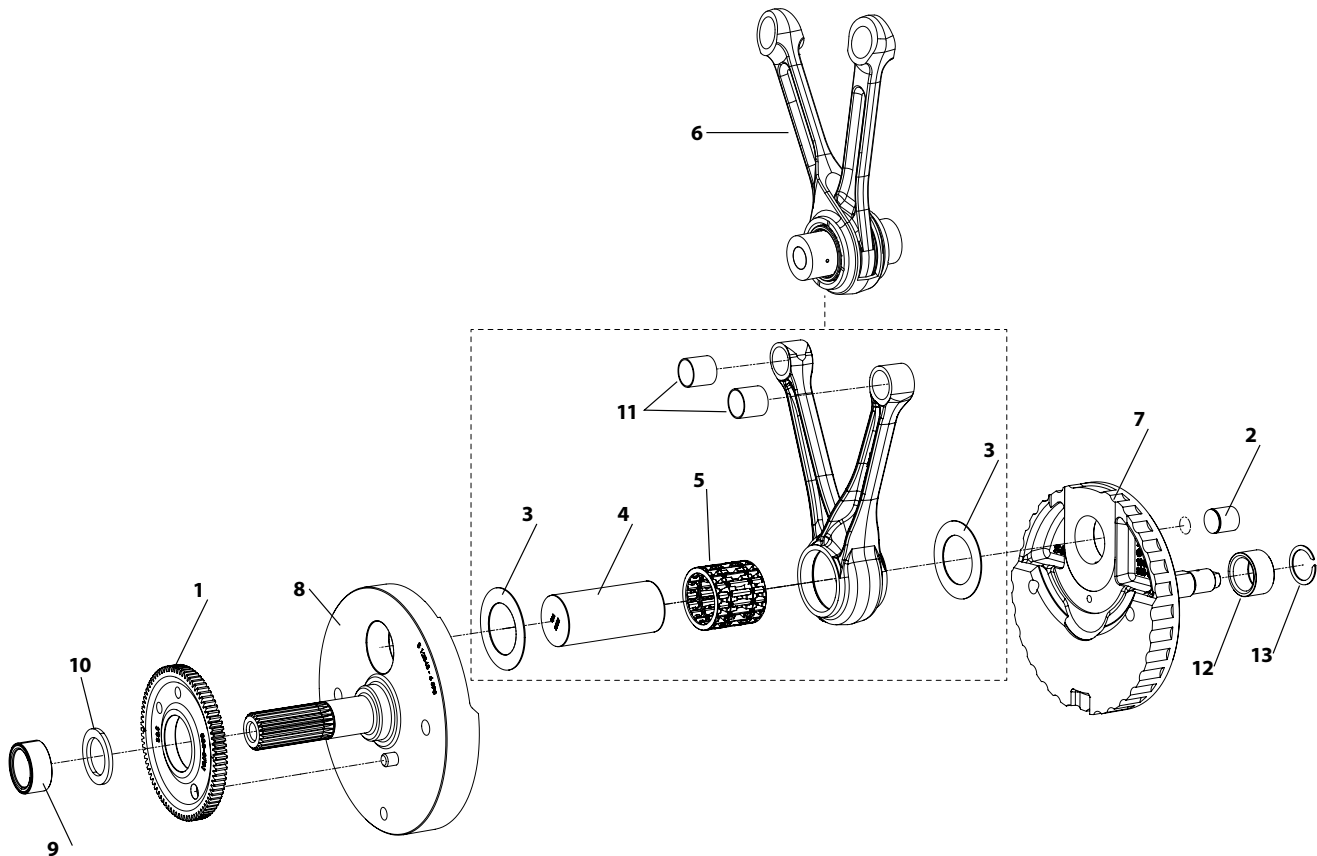
TOOLS &  
SHOP  
SUPPLIES

WARRANTY &  
COMPANY  
POLICY

APPENDIX

**Replacement Parts:**

- 1. Gear, Balancer Drive, 2017-up M8 Models ..... **330-0701** \$285.95
- 2. Plug, Drive, .8992" x .950", Steel, Fatigue Proof ..... **106-4991** \$13.95
- 3. Washer, Flywheel, Thrust, 1.780" x 2.812" x .040",  
Bronze, 2017-up M8 Models ..... **320-0597** \$40.95
- 4. Crankpin, Press-In, Straight, Standard,  
1.772", 2017-up M8 Models ..... **340-0200** \$232.95
- 5. Bearing, Assembly, Connecting Rod, Roller, 1.772" CP,  
3 Piece, Standard, 2017-up M8 Models ..... **N/A** -
- 6. Connecting Rod, Set, Heavy Duty, Tapered Wristpin,  
8.015", 2017-up M8 Models ..... **340-0214** \$699.95
- Connecting Rod, Set, Heavy Duty, Full Width Wristpin,  
8.015", 2017-up M8 Models ..... **340-0215** \$699.95
- Connecting Rod, Set, Heavy Duty, Tapered Wristpin,  
7.953", 2017-up M8 Models ..... **340-0216** \$699.95
- Connecting Rod, Set, Heavy Duty, Full Width Wristpin,  
7.953", 2017-up M8 Models ..... **340-0217** \$699.95
- 7. Flywheel, Partial Assembled, Right ..... **N/A**
- 8. Flywheel, Partial Assembled, Left ..... **N/A**
- 9. Race, Inr, L Main Brg, Mach, 1.25"x1.65"x0.713 ..... **340-0076** \$52.95
- 10. Washer,FW,Thrust,1.25" x 1.83" x .136" ..... **320-0034** \$40.95
- 11. Bushing, Wristpin, .928", Bronze ..... **340-0024** \$11.95
- 12. Race, Inr, R Main Brg, 1.25"x1.65"x0.872" ..... **330-0700** \$61.95
- 13. Retaining Ring, External, Pinion Bearing,  
1.160" x 1.480" x .046", Carbon Steel, SAE 1060-1090 ..... **50-8057** \$4.95



# 2007–2017 BIG TWINS



## **Performance Kits**

4" Bore Sidewinder Big Bore Kit.....	97
106" Hot Set Up & Big Bore Kit ....	102
107" Big Bore Kit.....	101
110" Pistons and Cams .....	100
117" Big Bore Kit .....	99
124" Hot Set Up Kit.....	98
Performance Kit Overview .....	96
Power Packs.....	114

## **Performance Engines**

T143 Engines .....	104
T-Series T2 Long Block Engines ..	105

## **Performance Parts**

Air Cleaners.....	88
Camshafts.....	115
Crankcases .....	106
Cylinders & Pistons .....	109
Cylinder Heads.....	125
Drive Belts .....	136
Drive Train .....	135
Electronics.....	133
Exhaust.....	81
Flywheels.....	107
Gaskets .....	137
Manifolds.....	132
Oil Pump .....	108
Pushrods .....	120
Rocker Arms.....	124
Rocker Covers .....	129
Tappets.....	119
Throttle Bodies .....	130
Valve Springs.....	122

<b>Replacement Parts</b> .....	142
--------------------------------	-----

Look for updated black finishes on all of our exhaust systems! The tips are now coated in a durable Tuxedo Black and the mufflers now feature our bomb-proof Guardian Black coating that better matches factory header coatings, resists corrosion, and does not require heat cycling to fully cure.



For 1995-2016 Touring Models

S&S Cycle has created the next level in high performance bagger exhaust! Merging a full flow stainless header into a highly engineered collector and culminating in a 4.5" muffler, the Sidewinder represents the perfect combination of style and power.

- 2-1 styling for high-performance baggers
- High-flow cat (550-0771B & 550-0772B)
- Increased power and torque
- Available in show quality chrome or Guardian Black finish
- Black Highlight Machined aluminum end cap
- Includes adapters that allow use of wide band or stock O2 sensors
- Stainless steel stepped header construction
- Some fits into 50-State Legal: CARB EO# K-010-3
- Removable dB reducer included
- Made in the USA!



2007-17  
TWIN CAM  
96"/103"/110"

SIDEWINDER® 2-1 FOR 2007-2016 FL MODELS — STREET LEGAL†		
Muffler Finish	Part #	MSRP
Chrome	550-0771B	\$1,673.95
Black	550-0772B	\$1,627.95
SIDEWINDER® 2-1 FOR 1995-'09 FL MODELS — 1995-'03, 2007 FL MODELS — CA EMISSIONS LEGAL††		
Chrome	550-0776	\$1,259.95
Black	550-0777	\$1,199.95

†Exempt from emissions tampering regulations under CARB EO# K-010-21

††NOT LEGAL FOR SALE OR USE IN CALIFORNIA ON ANY POLLUTION CONTROLLED MOTOR VEHICLE. Not legal for sale or use on EPA pollution controlled vehicles originally equipped with catalyst. \*Qualified manufacturer declared emissions replacement part on FL touring models listed below. California Models: Fuel Injected Non-CVO FL Touring Model Years: 1995-2003 and 2007 CVO FL Touring Model Years: 2000-2003 49 State Models: Fuel Injected Non-CVO FL Touring Model Years: 1995-2005 and 2007-2009 CVO FL Touring Model Years: 2000-2005

WARNING: Cancer and Reproductive Harm – www.P65Warnings.ca.gov

**NOTE:**

Not recommended for Tri Glide® or other three wheel models including conversions due to ground clearance.

See next page for Left Side Shadow Pipe



REPLACEMENT PARTS: PAGE 169



For 1995–2016 Touring Models With S&S Sidewinder® 2-1

**FEATURES AND BENEFITS**

- Available in show quality chrome and Guardian Black finish
- Shadow muffler fills left side cutout in extended bags when running Sidewinder 2-1
- Matching end cap for left side is a mirror image of right side Sidewinder 2-1 Cap (not available on any of our slip-on or El Dorado products)
- 4.5" design
- Made in USA!



2009–2016 TOURING MODELS EQUIPPED WITH S&S® SIDEWINDER® 2-1		
DESCRIPTION	PART #	MSRP
Chrome	550-0829	\$440.95
Black	550-0831	\$436.95
1995–2008 TOURING MODELS EQUIPPED WITH S&S® SIDEWINDER® 2-1		
Chrome	550-0828	\$474.95
Black	550-0830	\$470.95

If you have...			...you'll need
BIKE	FINISH	SIDEWINDER PART #	SHADOW PIPE PART #
2009–2016 touring model	Chrome	550-0776	550-0829
		550-0771B	
	Black	550-0777	550-0831
		550-0772B	
1995–2008 touring model	Chrome	550-0776	550-0828
		550-0771B	
	Black	550-0777	550-0830
		550-0772B	

**NOTE:**

Not recommended for Tri Glide® or other three wheel models including conversions due to ground clearance.



REPLACEMENT PARTS: PAGE 170

MB

2007–17 TWIN CAM 96"/103"/110"

1999–'06 TWIN CAM 88"

SPORTSTER, STREET, NIGHTSTER, STREET ROD & BUELL

TOOLS & SHOP SUPPLIES

WARRANTY & COMPANY POLICY

APPENDIX

## Mk45 Muffler/Header Package

### FITMENT

- 2009–'16 touring models

### FEATURES AND BENEFITS

- Improved power and torque
- Deep bass rumble throughout the RPM range
- Stainless steel header construction
- Includes adapters for OE or wide band O2 sensors

- O2 sensor location same as stock
- High Flow Cats increase exhaust flow for optimum torque
- Catalysts located in mufflers moves heat away from rider
- Show quality chrome or Guardian Black finish
- Tuxedo Black Thruster or Highlight Machined Tracer or Highlight Machined Tuxedo Black Tracer end caps
- 50-state legal CARB EO# K-010-15
- Made in USA!



**Chrome with Black Thruster**



**Chrome with Highlight Machined Tracer**



**Black with Black Thruster**



**Black with Highlight Machined Tracer**

### EL DORADO EXHAUST SYSTEM FOR 2009–2016 TOURING MODELS — STREET LEGAL

Finish	End cap	Part #	
Chrome	Black Thruster	550-0677B	\$1,853.95
Chrome	Highlight Machined Tracer	550-0678B	\$1,835.95
Black	Black Thruster	550-0679B	\$1,709.95
Black	Highlight Machined Tracer	550-0680B	\$1,979.95

Exempt from emissions tampering regulations under CARB EO# K-010-25 for all 2007-2016 FL touring models. ⚠️ WARNING: Cancer and Reproductive Harm – www.P65Warnings.ca.gov

### NOTE:

Not recommended for Tri Glide® or other three wheel models including conversions due to ground clearance.

2007-17  
TWIN CAM  
96"/103"/110"





**FITMENT**

- 1995–2009 Dyna® models with staggered exhaust
- 2008–'17 Dyna® models with 2-1-2 exhaust

- Classic slash cut styling
- Show quality chrome or Guardian Black finish
- 50-state legal
- Removable dB reducer
- Made in USA!

**FEATURES AND BENEFITS**

- Up to 16% more horsepower and 10% more torque (when used with Stealth Air Cleaner Kit)
- Wake up your bike without breaking your budget



Removable dB reducer



**SLASH CUT SLIP-ONS FOR 1995–2009 DYNA® MODELS WITH STAGGERED EXHAUST†**

Finish	Part #	MSRP
Chrome	550-0718	\$388.95
Black	550-0720	\$377.95

**SLASH CUT SLIP-ONS FOR 2008–2017 DYNA® MODELS WITH 2-1-2 EXHAUST††**

Chrome	550-0722	\$370.95
Black	550-0724	\$409.95

†NOT LEGAL FOR SALE OR USE IN CALIFORNIA ON ANY POLLUTION CONTROLLED MOTOR VEHICLES. Not legal for sale or use on EPA pollution controlled motorcycles originally equipped with mufflers containing catalyst. \*Qualified Manufacturer Declared Emissions Replacement Part on the Dyna Models Listed Below. California Models: MY 2006-2007, Except CVO models 49 State Models: MY 1995-2009, Except CVO models

††NOT LEGAL FOR SALE OR USE IN CALIFORNIA ON ANY POLLUTION CONTROLLED MOTOR VEHICLES. Not legal for sale or use on EPA pollution controlled motorcycles originally equipped with mufflers containing catalyst. \*Qualified Manufacturer Declared Emissions Replacement Part on the Dyna Models Listed Below. California Models: Fat Bob MY 2008, 2010-2017; Wide Glide MY 2010-2017; Low Rider S MY 2017 49 State Models: Fat Bob MY 2008-2017; Wide Glide MY 2010-2017; Low Rider S MY 2017

⚠WARNING: Cancer and Reproductive Harm – www.P65Warnings.ca.gov

REPLACEMENT PARTS: PAGE 165

MB

2007–17  
TWIN CAM  
96"/103"/110"

1999–'06  
TWIN CAM  
'88

SPORTSTER, STREET,  
NIGHTSTER, STREET ROD  
& BUELL

TOOLS &  
SHOP  
SUPPLIES

WARRANTY &  
COMPANY  
POLICY

APPENDIX



For Dyna® Models

**FITMENT**

- 1995–2009 Dyna® models with staggered exhaust
- 2008–'17 Dyna® models with 2-1-2 exhaust

**FEATURES AND BENEFITS**

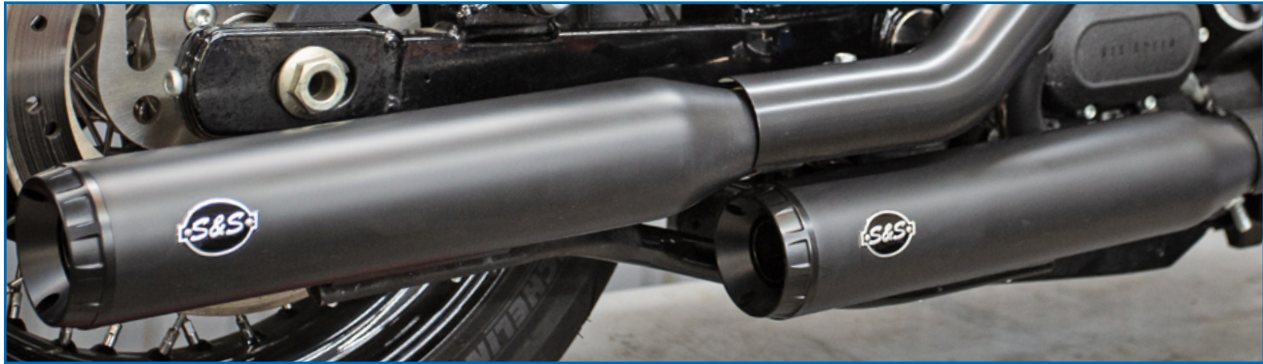
- Up to 17% more horsepower and 9% more torque (when used with Stealth Air

*Cleaner Kit)*

- Race inspired Grand National end caps
- Show quality chrome or Guardian Black finish
- Deep performance rumble
- 50-state legal
- Removable dB reducer
- Made in USA!



Removable dB reducer



**GRAND NATIONAL® SLIP-ONS FOR 1995–2009 DYNA® MODELS WITH STAGGERED EXHAUST†**

Finish	Part #	MSRP
Chrome	550-0719	\$484.95
Black	550-0721	\$499.95

**GRAND NATIONAL® SLIP-ONS FOR 2008–2017 DYNA® MODELS WITH 2-1-2 EXHAUST††**

Chrome	550-0723	\$484.95
Black	550-0725	\$499.95

†NOT LEGAL FOR SALE OR USE IN CALIFORNIA ON ANY POLLUTION CONTROLLED MOTOR VEHICLES. Not legal for sale or use on EPA pollution controlled motorcycles originally equipped with mufflers containing catalyst. \*Qualified Manufacturer Declared Emissions Replacement Part on the Dyna Models Listed Below. California Models: MY 2006–2007, Except CVO models 49 State Models: MY 1995–2009, Except CVO models

††NOT LEGAL FOR SALE OR USE IN CALIFORNIA ON ANY POLLUTION CONTROLLED MOTOR VEHICLES. Not legal for sale or use on EPA pollution controlled motorcycles originally equipped with mufflers containing catalyst. \*Qualified Manufacturer Declared Emissions Replacement Part on the Dyna Models Listed Below. California Models: Fat Bob MY 2008, 2010–2017; Wide Glide MY 2010–2017; Low Rider S MY 2017 49 State Models: Fat Bob MY 2008–2017; Wide Glide MY 2010–2017; Low Rider S MY 2017

⚠WARNING: Cancer and Reproductive Harm – www.P65Warnings.ca.gov

REPLACEMENT PARTS: PAGE 166

2007-17  
TWIN CAM  
96"/103"/110"



Mk45 4.5" Touring Mufflers are the result of decades of riding, racing and tuning. Combining both a stainless steel baffle and fiberglass packing, they create a deep rumble and improved horsepower and torque, all while adding a unique look with styled aluminum end caps.

**FITMENT**

- 1995–2016 HD® touring models

**FEATURES AND BENEFITS**

- 7 horsepower gain\*
- Bold 4.5" design — with stainless steel baffle and Race-TEX cartridge packing
- Available in show quality chrome or Guardian Black finish
- Choose Cutlass, Thruster, or Tracer end cap designs in chrome or Tuxedo Black
- 50-state legal
- Removable dB reducer
- Made in USA!

**NOTE:**

Not recommended for Tri Glide® or other three wheel models including conversions due to ground clearance.

\*Tested with S&S Power Tune® Dual Header and Stealth Air Cleaner Kit



MB

550-1017



550-1016



550-0620



550-0619



550-0624



550-0623



550-0621



550-0625

2007-17  
TWIN CAM  
96"/103"/110"

1999-'06  
TWIN CAM  
88"

SPORTSTER, STREET,  
NIGHTSTER, STREET ROD  
& BUELL

TOOLS &  
SHOP  
SUPPLIES

WARRANTY &  
COMPANY  
POLICY

APPENDIX

**Mk45 4.5" TOURING MUFFLERS WITH END CAPS**

Muffler Body Finish	End Cap Finish & Style	Part #	MSRP
Chrome	Black Cutlass	550-1017	\$797.95
	Chrome Thruster	550-0620	\$797.95
	Black Thruster	550-0619	\$782.95
	Chrome Tracer	550-0624	\$820.95
	Highlight Machined Tracer	550-0623	\$782.95
Black	Black Cutlass	550-1016	\$775.95
	Black Thruster	550-0621	\$815.95
	Highlight Machined Tracer	550-0625	\$815.95

NOT LEGAL FOR SALE OR USE IN CALIFORNIA ON ANY POLLUTION CONTROLLED MOTOR VEHICLES. Not legal for sale or use on EPA pollution controlled motorcycles originally equipped with mufflers containing catalyst. \*Qualified manufacturer declared emissions replacement part on the FL touring models listed below. California FL Touring Models: Fuel Injected MY 1995-2003, 2007, and 2009-2016 CVO MY 2000-2003, and 2009-2016 49 State FL touring Models: Carbureted MY 1995-2005 Fuel Injected MY 1995-2005, 2007-2016 CVO MY 2000-2005, and 2009-2016

⚠️ WARNING: Cancer and Reproductive Harm — www.P65Warnings.ca.gov

REPLACEMENT PARTS: PAGE 167



**FITMENT**

- 1995–2016 Harley-Davidson® touring models with non-catalyst mufflers
- 2009–2021 trike models

**FEATURES AND BENEFITS**

- Classic slash cut styling
- Aggressive sound
- Stripped down styling
- Available in show quality chrome or Guardian Black finish
- Excellent HP
- High flowing baffle design
- Economical price
- Excellent clearance on trike models
- Removable dB reducer included
- Made in USA!



Removable dB reducer



**SLASH CUT SLIP-ONS — 4" TOURING MUFFLERS FOR 1995–2016 BIG TWINS AND 2009–'21 TRIKE MODELS**

Finish	Part #	
Chrome	550-0691	\$525.95
Black	550-0692	\$560.95

NOT LEGAL FOR SALE OR USE IN CALIFORNIA ON ANY POLLUTION CONTROLLED MOTOR VEHICLES. Not legal for sale or use on EPA pollution controlled motorcycles originally equipped with mufflers containing catalyst. \*Qualified manufacturer declared emissions replacement part on the FL touring models listed below. California FL Touring Models: Fuel Injected MY 1995-2003, 2007, and 2009-2016 CVO MY 2000-2003, and 2009-2016 49 State FL touring Models: Carbureted MY 1995-2005 Fuel Injected MY 1995-2005, 2007-2016 CVO MY 2000-2005, and 2009-2016  
 ⚠️ WARNING: Cancer and Reproductive Harm — www.P65Warnings.ca.gov

REPLACEMENT PARTS: PAGE 168

2007-17  
TWIN CAM  
96"/103"/110"



**FITMENT**

- 1995–2016 Harley-Davidson® touring models with non-catalyst mufflers  
(except 2010 Road Glide® and Street Glide® using OEM 2-1 Header)
- 2009–2021 trike models

**FEATURES AND BENEFITS**

- Show quality chrome or Guardian Black finish
- Race inspired Grand National end cap
- High flow baffle
- Aggressive sound & excellent HP
- 50-state legal on most models
- Removable dB reducer
- Made in USA!



Removable dB reducer



GRAND NATIONAL® SLIP-ONS — 4" TOURING MUFFLERS FOR 1995–2016 BIG TWINS AND 2009–'21 TRIKE MODELS		
Finish	Part #	MSRP
Chrome	550-0689	\$576.95
Black	550-0690	\$601.95

NOT LEGAL FOR SALE OR USE IN CALIFORNIA ON ANY POLLUTION CONTROLLED MOTOR VEHICLES. Not legal for sale or use on EPA pollution controlled motorcycles originally equipped with mufflers containing catalyst. \*Qualified manufacturer declared emissions replacement part on the FL touring models listed below. California FL Touring Models: Fuel Injected MY 1995-2003, 2007, and 2009-2016 CVO MY 2000-2003, and 2009-2016 49 State FL touring Models: Carbureted MY 1995-2005 Fuel Injected MY 1995-2005, 2007-2016 CVO MY 2000-2005, and 2009-2016

⚠️ WARNING: Cancer and Reproductive Harm — www.P65Warnings.ca.gov

REPLACEMENT PARTS: PAGE 168

AMB

2007–17  
TWIN CAM  
96"/103"/110"

1999–'06  
TWIN CAM  
88"

SPORTSTER, STREET,  
NIGHTSTER, STREET ROD  
& BUELL

TOOLS &  
SHOP  
SUPPLIES

WARRANTY &  
COMPANY  
POLICY

APPENDIX



2007-17  
TWIN CAM  
96"/103"/110"

**FITMENT**

- 1995-2016 Twin Cam Touring Models

**FEATURES AND BENEFITS**

- 4.5" slip-on designed for sound and power!
- Show quality chrome or Guardian black
- Louvered baffle delivers a rowdier tone
- Includes dB Reducer if you're not ready
- Fits with 13.5" rear shocks



1995-2016 Twin Cam Touring Models		
Description	Part #	MSRP
Black	550-1078	\$569.95
Chrome	550-1079	\$639.95

\*Qualified manufacturer declared U.S. 50-State legal emissions replacement part on all MY 1995-2016 FL Touring models  
 ⚠️ WARNING: Cancer and Reproductive Harm — [www.P65Warnings.ca.gov](http://www.P65Warnings.ca.gov)

**NOTE:**

Not recommended for Tri Glide® or other three wheel models including conversions due to ground clearance.



The S&S Power Tune Dual header system is not just an end to the headache of the constantly failing stock "Y pipe" header design. With an improved pipe bend profile, the exhaust heat is moved farther away from the rider and passenger. A hidden crossover chamber provides classic true dual styling, but provides the improved midrange torque and horsepower of a 2-1 system.

**FITMENT**

- Non-catalyst equipped Harley-Davidson® touring models†
- 2006–2016 trike models††

**FEATURES AND BENEFITS**

- Adds up to 8 horsepower over stock header pipes
- Independent dual look with hidden crossover
- Exclusive design moves the rear cylinder header away from the passenger to reduce radiated heat
- Full chrome or ceramic black heat shielding with 220° coverage
- Updated styling to give the bike a modern look
- Oxygen sensor bungs†
- Spherical inlet design for improved sealing and exhaust gasket durability
- Hardware included to mount crossover pipe
- Exhaust port gaskets included
- Made in USA!



550-0003A



550-0142A

**NOTE:**

Fuel injection tuning is not required with this product but is highly recommended for best results. Power Tune® Dual Headers can be used on 1993–'94 models if 1995–up mufflers are used. 2010 Road Glide® and Street Glide® using OEM 2-1 Header require 1 of each HD® part 65723-85 mounting bracket and 65724-85A rubber mount for left side muffler mounting.

POWER TUNE® DUAL HEADERS			
Fitment	Finish	Part #	MSRP
1995–'08† touring models with non-catalyst mufflers	Chrome	550-0003A**	\$674.95
	Black	550-0142A**	\$744.95
2009–'16 non-catalyst equipped touring and 2009–'16 trike models	Chrome	550-0004B***	\$674.95
	Black	550-0143B***	\$744.95

†Has 18mm sensor fittings in the stock locations for 2007–'08 bikes. If not equipped with oxygen sensors, the ports can be used for tuning. Plugs are included if ports are not used.

††Requires the Trike Adaptor Kit. See chart below.

\*\*NOT LEGAL FOR SALE OR USE IN CALIFORNIA ON ANY POLLUTION CONTROLLED MOTOR VEHICLE. Not legal for sale or use on EPA federal pollution controlled vehicles originally equipped with catalyst.

\*Qualified manufacturer declared emissions replacement part on FL touring models listed below. California Models: FL Touring Fuel Injected MY 1995-2003, and 2007 CVO FL Touring MY 2000-2003 49 State Models: FL Touring Carbureted MY 1995-2005 FL Touring Fuel Injected MY 1995-2005 and 2007-2008 CVO FL Touring MY 2000-2005

\*\*\*NOT LEGAL FOR SALE OR USE IN CALIFORNIA ON ANY POLLUTION CONTROLLED MOTOR VEHICLE. Not legal for sale or use on EPA pollution controlled motorcycles originally equipped with a catalyst exhaust \*Qualified Manufacturer Declared Emissions Compliant Part for 2009 Harley-Davidson 49-State Non-CVO FL Touring Models Only

⚠️WARNING: Cancer and Reproductive Harm – www.P65Warnings.ca.gov



**††TRIKE ADAPTOR KIT**

Stainless steel tubing matches OE header and S&S Power Tune® Duals construction • Lighter than the competition, rust resistant • Necessary when installing performance header • Lowest price and highest quality

Fitment	Finish	Part #	MSRP
2009, 2014–'20 trike models	Chrome	550-0799	\$91.95

NOT LEGAL FOR SALE OR USE IN CALIFORNIA ON ANY POLLUTION CONTROLLED MOTOR VEHICLE. Not legal for sale or use on EPA pollution controlled vehicles originally equipped with catalyst mufflers. \*Qualified manufacturer declared emissions replacement part on Trike models listed below. California Models: 2014-2017 Trike models- for use with stock header only Federal 49 State Models: 2009 Trike Models- for use with S&S Power Tune Dual headers only 2014-2017 Trike Models- for use with stock header only

⚠️WARNING: Cancer and Reproductive Harm – www.P65Warnings.ca.gov

**REPLACEMENT PARTS: PAGE 172**

**NOTE:**

It may be necessary to re-jet the carburetor or recalibrate the fuel injection system for best performance when a change is made in the exhaust system. Dyno results are from tests performed at the S&S® Research and Development facility in Viola, Wisconsin.

MB  
2007–'17 TWIN CAM 96"/103"/110"  
1999–'06 TWIN CAM 88"  
SPORTSTER, STREET, NIGHTSTER, STREET ROD & BUJEL  
TOOLS & SHOP SUPPLIES  
WARRANTY & COMPANY POLICY  
APPENDIX



- 1999–'17 big twins (except 2017 touring models)
- Air directional stinger cone in the filter
- Pre-filters are available — page 95
- Use with any of several S&S designed covers — page 91
- High flow (1" taller) filter kit available — page 95
- Backplate adaptor for Rushmore covers also available—page 95



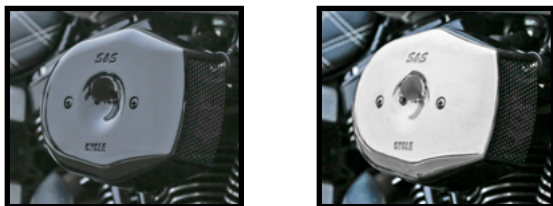
2007-'17 TWIN CAM 96"/103"/110"

**AIR STINGER STEALTH AIR CLEANER KITS**  
 The Air Stinger takes the existing high flow Stealth air cleaner and replaces the air smoothing stinger with a similarly shaped filter element. More filter surface equals 55% gain over a factory filter. Also available with the classic Mini Teardrop cover in black or chrome or as a replacement cover plate to update your existing Stealth system. The Air Stinger filter element is washable just like the Stealth filters and designed to last for years.

Fitment	Teardrop Finish	Part #	MSRP
2001–'17 big twin except Throttle by Wire	Gloss Black	170-0722A	\$407.95
2001–'17 big twin except Throttle by Wire	Chrome	170-0721A	\$407.95
2008–'16 touring, '16–'17 Softail® models	Gloss Black	170-0720A	\$407.95
2008–'16 touring, '16–'17 Softail models	Chrome	170-0719A	\$407.95
2001–'17 big twin except Throttle by Wire	S&S Brushed Ring	170-0716A	\$236.95
2008–'16 touring, '16–'17 Softail models	S&S Brushed Ring	170-0715A	\$236.95
<b>AIR STINGER FILTER ONLY</b>		170-0723A	\$71.95

Exempt from emissions tampering regulations under CARB EO# D-355-45  
 ⚠️ WARNING: Cancer and Reproductive Harm — www.P65Warnings.ca.gov

**REPLACEMENT PARTS: PAGE 157**



**TRIBUTE AIR CLEANER KITS**  
 EXEMPT FROM EMISSIONS TAMPERING REGULATIONS UNDER CARB EO# D-355-30 FOR ALL FUEL INJECTED MODELS

Fitment	Finish	Part #	MSRP
2001–'17 big twin (except Throttle by Wire) Includes Stealth AC Kit 170-0300B	Chrome	170-0596	\$377.95
	Gloss Black	170-0599	\$377.95
2008–'16 touring & 2016–'17 Softail models (except Tri-Glide® & CVO® Models) Includes Stealth AC Kit 170-0301B	Chrome	170-0594	\$377.95
	Gloss Black	170-0597	\$377.95

⚠️ WARNING: Cancer and Reproductive Harm — www.P65Warnings.ca.gov



<b>TEARDROP AIR CLEANER KIT</b> EXEMPT FROM EMISSIONS TAMPERING REGULATIONS UNDER CARB EO# D-355-30 FOR ALL FUEL INJECTED MODELS					
Application	Fuel System	Finish	Part #	MSRP	
2001–'17 big twin (except 2017 touring models & Throttle by Wire) Includes Stealth AC Kit 170-0300B	Stock EFI, Delphi® EFI	Chrome	170-0528	\$367.95	
		Gloss Black	170-0529	\$367.95	
2008–'16 touring, '16–'17 Softail® (except Tri-Glide® & CVO® Models) Includes Stealth AC Kit 170-0301B	Throttle by Wire	Chrome	170-0522	\$367.95	
		Gloss Black	170-0523	\$367.95	

⚠️ WARNING: Cancer and Reproductive Harm — www.P65Warnings.ca.gov

Con't Next page





<b>CARBON FIBER TEARDROP KIT</b> EXEMPT FROM EMISSIONS TAMPERING REGULATIONS UNDER CARB EO# D-355-30 FOR ALL FUEL INJECTED MODELS		
Application	Part #	MSRP
2001-'17 big twin (except Throttle by Wire)	<b>170-0499</b>	<b>\$550.95</b>
2008-'16 touring models and 2016-'17 Softail® models	<b>170-0500</b>	<b>\$550.95</b>



<b>MINI TEARDROP AIR CLEANER KIT</b> EXEMPT FROM EMISSIONS TAMPERING REGULATIONS UNDER CARB EO# D-355-30 FOR ALL FUEL INJECTED MODELS				
Application	Fuel System	Finish	Part #	MSRP
2001-'17 big twin (except 2017 touring models & Throttle by Wire) Includes Stealth AC Kit 170-0300B	Stock EFI, Delphi® EFI	Chrome	<b>170-0441</b>	<b>\$367.95</b>
		Gloss Black	<b>170-0442</b>	<b>\$367.95</b>
2008-'16 touring, '16-'17 ST® (except Tri-Glide® & CVO® Models) Includes Stealth AC Kit 170-0301B	Throttle by Wire	Chrome	<b>170-0437</b>	<b>\$367.95</b>
		Gloss Black	<b>170-0438</b>	<b>\$367.95</b>

**⚠️ WARNING:** Cancer and Reproductive Harm – [www.P65Warnings.ca.gov](http://www.P65Warnings.ca.gov)



<b>AIR 1 AIR CLEANER KIT</b> EXEMPT FROM EMISSIONS TAMPERING REGULATIONS UNDER CARB EO# D-355-30 FOR ALL FUEL INJECTED MODELS			
Application	Fuel System	Part #	MSRP
2001-'17 big twin (except 2017 touring models & Throttle by Wire) Includes Stealth AC Kit 170-0300B	Stock EFI Delphi®	<b>170-0478</b>	<b>\$370.95</b>
2008-'17 big twin (except 2017 touring models, Tri-Glide® & CVO® Models) Includes Stealth AC Kit 170-0301B	Throttle by Wire	<b>170-0485</b>	<b>\$370.95</b>



<b>AIRSTREAM AIR CLEANER KIT</b> EXEMPT FROM EMISSIONS TAMPERING REGULATIONS UNDER CARB EO# D-355-30 FOR ALL FUEL INJECTED MODELS				
Application	Fuel System	Finish	Part #	MSRP
2001-'17 big twin (except 2017 touring models & Throttle by Wire) Includes Stealth AC Kit 170-0300B	Stock EFI Delphi®	Gloss Black	<b>170-0480</b>	<b>350.95</b>
		Chrome	<b>170-0486</b>	<b>350.95</b>
2008-'17 big twin (except 2017 touring models, Tri-Glide® & CVO® Models) Includes Stealth AC Kit 170-0301B	Throttle by Wire	Gloss Black	<b>170-0487</b>	<b>350.95</b>

**⚠️ WARNING:** Cancer and Reproductive Harm – [www.P65Warnings.ca.gov](http://www.P65Warnings.ca.gov)



<b>STEALTH AIR CLEANER KITS — NO COVER</b> EXEMPT FROM EMISSIONS TAMPERING REGULATIONS UNDER CARB EO# D-355-30 FOR ALL FUEL INJECTED MODELS			
Application	Fuel System	Part #	MSRP
2001-'17 big twin (except 2017 touring models & Throttle by Wire)	Stock EFI Delphi®	<b>170-0300B</b>	<b>\$195.95</b>
2008-'17 big twin (except 2017 touring models, Tri-Glide® & CVO® Models)	Throttle by Wire	<b>170-0301B</b>	<b>\$195.95</b>

**NOTE:**  
Fuel injection tuning is not required for this product.



REPLACEMENT PARTS: PAGE 158

Con't Next page

AMB

2007-'17  
TWIN CAM  
96"/103"/110"

1999-'06  
TWIN CAM  
88"

SPORTSTER, STREET,  
NIGHTSTER, STREET ROD  
& BUELL

TOOLS &  
SHOP  
SUPPLIES

WARRANTY &  
COMPANY  
POLICY

APPENDIX



2007-17  
TWIN CAM  
96"/103"/110"

STEALTH AIR CLEANER KITS* — NO COVER		
Application	Fuel System	Part #
1999–2017 big twins (except '99 Softail® carb & Throttle by Wire)	Stock CV/EFI Delphi®	170-0060
2008–2017 big twins (except 2017 touring models)	Throttle by Wire	170-0061

\*These kits do not contain covers – Choose an S&S cover  
 NOT LEGAL FOR SALE OR USE IN CALIFORNIA ON ANY POLLUTION CONTROLLED MOTOR VEHICLE. NOT LEGAL FOR SALE OR USE NATIONWIDE ON ANY FEDERAL POLLUTION CONTROLLED MOTOR VEHICLE UNDER THE CLEAN AIR ACT

**NOTE:**

Fuel injection tuning is not required for this product.

REPLACEMENT PARTS: PAGE 158

Stealth Air Cleaner Kits For S&S Engines

- Covers sold separately. page 91 for options.



STEALTH AIR CLEANER KITS FOR S&S ENGINES			
Fitment	Fuel System	Part #	MSRP
2003–'17 HD® Models (except '17 touring models)	S&S 66mm Throttle Hog	170-0165	\$203.95
2003–'17 HD® Models (except '17 touring models)	S&S 58mm Throttle Hog	170-0164	\$203.95
1995–1999 S&S Super Stock Engines	S&S Single Bore VFI 52mm Throttle Bodies	170-0287	\$254.95
1995–1999 EFI big twin models	S&S Single Bore VFI 58mm Throttle Bodies	170-0283	\$254.95
1999–2006 EFI big twin models	S&S Single Bore VFI 58mm Throttle Bodies	170-0284	\$254.95
T124 1999–'06 big twin models (except '06 Dyna® models), (Engines produced after 2013)	S&S E or G Carburetor	170-0058	\$195.95
T124 1999–'06 big twin models (except '06 Dyna® models), (Engines produced after 2013)	Stock CV/EFI Delphi®	170-0060	\$195.95
T111 1999–'06 big twin models (except '06 Dyna® models), (Engines produced after 2013)	S&S E or G Carburetor	170-0058	\$195.95
T111 1999–'06 big twin models (except '06 Dyna® models), (Engines produced after 2013)	Stock CV/EFI Delphi®	170-0060	\$195.95

NOT LEGAL FOR SALE OR USE IN CALIFORNIA ON ANY POLLUTION CONTROLLED MOTOR VEHICLE. NOT LEGAL FOR SALE OR USE NATIONWIDE ON ANY FEDERAL POLLUTION CONTROLLED MOTOR VEHICLE UNDER THE CLEAN AIR ACT



- 110" Harley-Davidson® Dyna® & Softail® Models up to 2017 (e9 11002G)
- 103" Harley-Davidson Dyna & Softail Models up to 2017 (e9 11003G)
- Covers sold separately, page 91 for options.



**NOTE:**

These Stealth air cleaner kits do not come with cover, page 91 for options.



EC STEALTH AC KITS		
Description	Part Number	MSRP
Cable Throttle Body 103" HD® Dyna® & Softail® models up to 2017	170-0331	\$249.95
Throttle by Wire 103" HD Dyna® & Softail models up to 2017	170-0332	\$249.95
Cable Throttle Body 110" HD Dyna & Softail models up to 2017	170-0333	\$249.95
Throttle by Wire 110" HD Dyna & Softail models up to 2017	170-0334	\$249.95

**Stealth Air Cleaner Kit Covers (Only)**



Tribute in Gloss Black



Carbon Fiber



Mini in Chrome



Mini in Gloss Black



Tri-Spoke



Torker



Air 1



Airstream in Chrome



Airstream in Gloss Black



111



124



143

STEALTH COVERS								
Tribute		Teardrop		Teardrop—Slasher		Carbon Fiber	Mini	
Chrome	Gloss Black	Chrome	Gloss Black	Chrome	Gloss Black	Black	Chrome	Gloss Black
170-0592	170-0593	170-0530	170-0531	170-0532	170-0533	170-0501	170-0367	170-0366
\$203.95	\$203.95	\$205.95	\$203.95	\$216.95	\$214.95	\$356.95	\$203.95	\$203.95

Tri-Spoke	Torker	Air 1	Airstream		Displacement		
Gloss Black w/Highlights	Gloss Black w/Highlights	Gloss Black w/Highlights	Chrome	Gloss Black	111	124	143
170-0210	170-0206	170-0214	170-0118	170-0396	170-0319	170-0321	170-0323
\$193.95	\$193.95	\$193.95	\$193.95	\$195.95	\$203.95	\$203.95	\$203.95

⚠️ WARNING: Cancer and Reproductive Harm – www.P65Warnings.ca.gov

MB

2007-17  
TWIN CAM  
96"/103"/110"

1999-'06  
TWIN CAM  
88"

SPORTSTER, STREET,  
NIGHTSTER, STREET ROD  
& BUELL

TOOLS &  
SHOP  
SUPPLIES

WARRANTY &  
COMPANY  
POLICY

APPENDIX



For 2008-'16 Touring & 2016-'17 Softail® Models

Air flow is everything in a performance engine and naturally, it begins at the air filter. Factory units are downright boxy and can be very restrictive. The S&S Cycle Tuned Induction Air Cleaner uses two laser cut and highly engineered tubes merged into a single collector and fed by a pair of high flow air filters placed directly in unobstructed air stream. The end result is maximum performance for your engine and a stylish package.

- Bolt-on performance—over twice the filtering area over stock intake system
- Increases horsepower and torque across the rpm range using air column inertia and carefully timed gas dynamic pressure waves
- Smooth intake tract of carefully selected tuned lengths increases performance
- High flow washable and reusable cotton media filter elements provide performance, protection, and economy
- Available in chrome, gloss black powder coat, or brushed stainless steel finish
- Water resistant rain socks also available (part # 106-0248)

**UPDATED>> TUNED INDUCTION KIT**

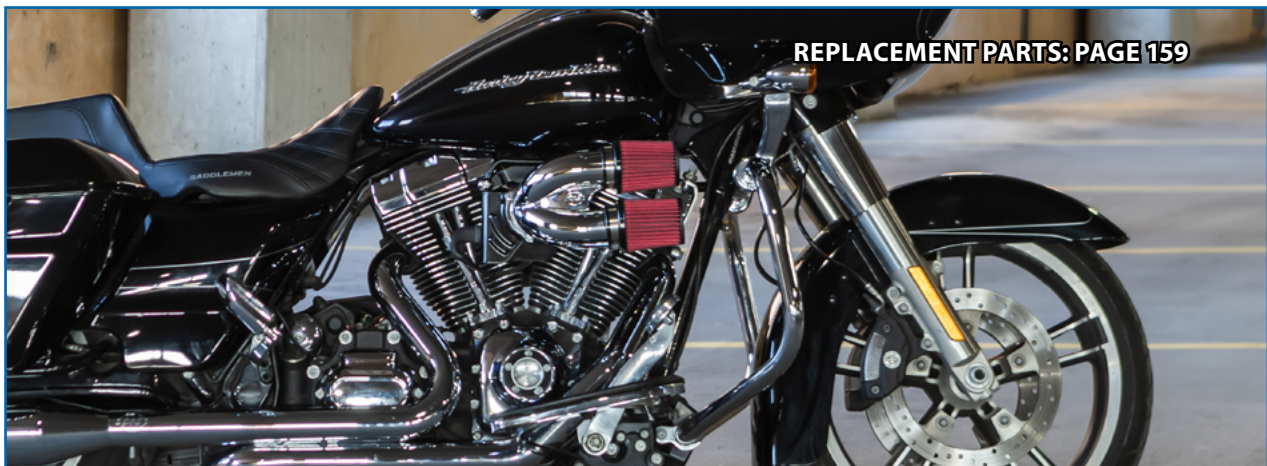
Fitment	Finish	Part #	MSRP
2008-'16 HD® touring models & 2016-2017 Softail® models 2016-2017 Dyna Low Rider S	Stainless Steel	170-0635A	\$472.95
2008-'16 HD touring models & 2016-2017 Softail models 2016-2017 Dyna Low Rider S	Chrome	170-0636A	\$482.95
2008-'16 HD touring models & 2016-2017 Softail models 2016-2017 Dyna Low Rider S	Gloss Black	170-0637A	\$453.95

Exempt from emissions tampering regulations under CARB EO# D-355-37

WARNING: Cancer and Reproductive Harm – www.P65Warnings.ca.gov

**NOTE:**

The Tuned Induction System will not fit on motorcycles equipped with fairing lower glove boxes or Twin-Cooled™ models



2007-'17  
TWIN CAM  
96"/103"/110"



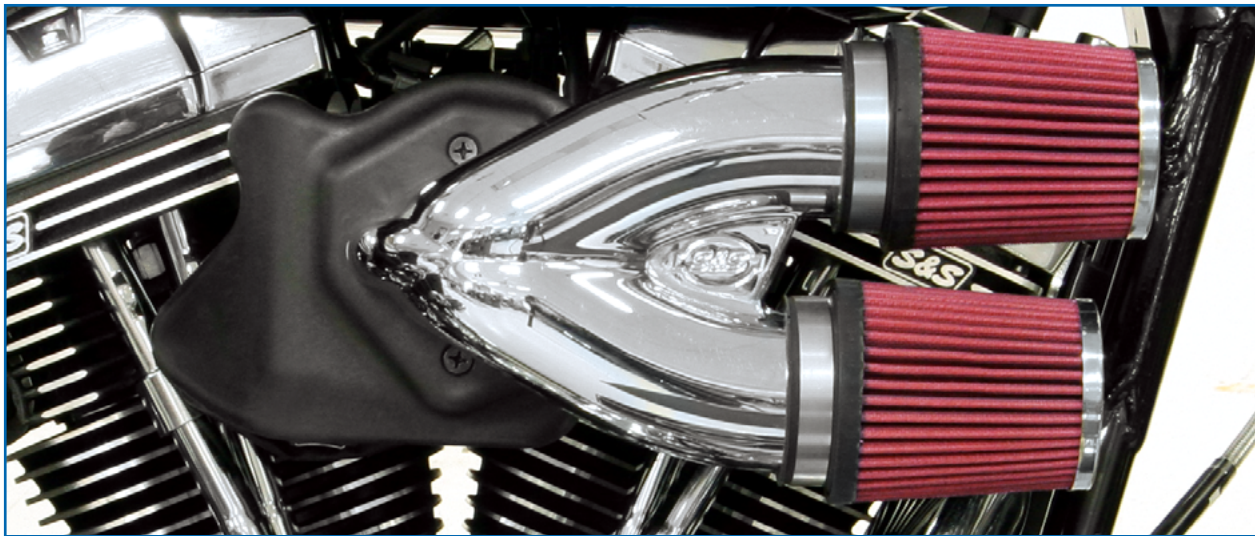
**FITMENT**

- 2001–'17 big twin models including Harley-Davidson® Tri Glide® models  
(except 2007–'08 FXDWG & 2009 FXDC/FXDF and 2017 touring models)



**FEATURES AND BENEFITS**

- Bolt-on performance—over twice the filtering area over stock intake system
- Increases horsepower and torque across the rpm range using air column inertia and carefully timed gas dynamic pressure waves
- Smooth intake tract of carefully selected tuned lengths increases performance
- High flow washable and reusable cotton media provides performance, protection, and economy



**SINGLE BORE TUNED INDUCTION SYSTEM KITS**

EXEMPT FROM EMISSIONS TAMPERING REGULATIONS UNDER CARB EO# D-355-30 FOR ALL FUEL INJECTED MODELS

Fitment	Fuel System	Finish	Part #	MSRP
2001–'17 Harley-Davidson® big twin (except Throttle by Wire and CVO® Models)	Stock EFI Delphi®	Chrome/Red Filters	<b>170-0308B</b>	<b>\$739.95</b>
2008–'16 HD® touring and '16 & '17 Softail® (except Tri-Glide® & CVO® Models)	Throttle by Wire	Chrome/Red Filters	<b>170-0310B</b>	<b>\$739.95</b>

**⚠ WARNING:** Cancer and Reproductive Harm — [www.P65Warnings.ca.gov](http://www.P65Warnings.ca.gov)



Chrome billet adaptor bracket for 2007–'17 big twins, except touring



Molded black adaptor bracket for 2008–'16 touring models

**NOTE:**

Does not fit Screamin' Eagle 58mm or 64mm throttle bodies, or S&S 58mm or 66mm Throttle Hogs. Single bore tuned induction will not fit on motorcycles equipped with fairing lower glove boxes. Fuel injection tuning is not required with this product but is highly recommended for best results.

**REPLACEMENT PARTS:  
PAGE 160 & PAGE 161**

MB

2007–'17  
TWIN CAM  
96"/103"/110"

1999–'06  
TWIN CAM  
& BB

SPORTSTER, STREET,  
NIGHTSTER, STREET ROD  
& BUELL

TOOLS &  
SHOP  
SUPPLIES

WARRANTY &  
COMPANY  
POLICY

APPENDIX



**FITMENT**

- 2007–'17 big twin models including trike models  
*(except 2017 touring models)*

**FEATURES AND BENEFITS**

- Efficient and free flowing intake that can add two to five horsepower
- Uniquely designed back plate has air horn style radiused entryway to reduce turbulence
- Dimpled cover with directional air cone inside creates smooth path for air
- Great addition to performance exhaust or cams

**KIT CONTENTS**

- Filter
- Backing plate and cover
- All mounting hardware
- Instructions



106-2091

**CLASSIC TEARDROP AIR CLEANER KITS FOR STOCK EFI**

EXEMPT FROM EMISSIONS TAMPERING REGULATIONS UNDER CARB EO# D-355-30 FOR ALL FUEL INJECTED MODELS

Fitment	Fuel System	Finish	Stock EFI, W/ 96 & 103 Engines	MSRP
2001–'17 HD® big twin models <i>(except Throttle by Wire and CVO® Models)</i>	Stock EFI Delphi®	Chrome	170-0303B	\$329.95
		Gloss Black	170-0304B	\$329.95
2008–'16 HD® touring stock-bore and '16 & '17 Softail® models <i>(except Tri-Glide® &amp; CVO® Models)</i>	Throttle by Wire	Chrome	170-0305B	\$398.95
		Gloss Black	170-0312B	\$339.95

⚠ WARNING: Cancer and Reproductive Harm – www.P65Warnings.ca.gov

**CLASSIC TEARDROP AIR CLEANER KITS FOR STOCK CARB/EFI**

Fitment	Finish	Stock EFI, With 110 Engines	MSRP
2008–2017 big twins <i>(except 2017 touring)</i>	Chrome	106-2091	\$398.95

NOT LEGAL FOR SALE OR USE IN CALIFORNIA ON ANY POLLUTION CONTROLLED MOTOR VEHICLE. NOT LEGAL FOR SALE OR USE NATIONWIDE ON ANY FEDERAL POLLUTION CONTROLLED MOTOR VEHICLE UNDER THE CLEAN AIR ACT

⚠ WARNING: Cancer and Reproductive Harm – www.P65Warnings.ca.gov

**CLASSIC TEARDROP AIR CLEANER KITS FOR S&S SINGLE BORE EFI THROTTLE BODIES**

Fitment	Finish	52mm	MSRP
Stock Harley-Davidson® heads, S&S T-Series Long block engines or S&S Heads for stock breathing system	Chrome	17-0498	\$316.95

NOT LEGAL FOR SALE OR USE IN CALIFORNIA ON ANY POLLUTION CONTROLLED MOTOR VEHICLE. NOT LEGAL FOR SALE OR USE NATIONWIDE ON ANY FEDERAL POLLUTION CONTROLLED MOTOR VEHICLE UNDER THE CLEAN AIR ACT

⚠ WARNING: Cancer and Reproductive Harm – www.P65Warnings.ca.gov

**NOTE:**

Not recommended for Tri Glide® or other three wheel models including conversions due to ground clearance.



17-0004



170-0384A



17-0071



17-0378

**CLASSIC TEARDROP AIR CLEANER COVERS**

Style	Finish	Part #	MSRP
Classic Teardrop	Chrome	17-0378	\$193.95
	Gloss Black	170-0384A	\$193.95
Slasher Teardrop	Chrome	17-0004	\$193.95
	Gloss Black	170-0419	\$191.95
Nostalgic Teardrop	Polished	17-0071	\$224.95

⚠ WARNING: Cancer and Reproductive Harm – www.P65Warnings.ca.gov

REPLACEMENT PARTS: PAGE 164

2007-'17  
TWIN CAM  
96"/103"/110"



S&S Stealth air cleaners allow owners of 1999–later big twins to use stock air cleaner covers from early Rushmore models to hide a performance air cleaner.

**FITMENT**

- 2014–2016 touring models



STEALTH BACKPLATE ADAPTOR FOR RUSHMORE COVER		
Fitment	Part #	MSRP
2014–2016 touring models	170-0261	\$71.95

**Pre-Filters**

**FITMENT**

- S&S® Air Stinger & Stealth Air Filters

**FEATURES AND BENEFITS**

- Water resistant
- Prevents large debris from prematurely clogging the filter
- Washable Nylon
- Promotes longer filter life
- Reduces the risk of water entering air intake system



170-0748

AIR STINGER PRE-FILTERS		
Fitment	Part #	MSRP
Teardrop	170-0747	\$61.95
Ring	170-0748	\$61.95

STEALTH PRE-FILTERS		
Fitment	Part #	MSRP
Standard	170-0193	\$61.95
1" Tall	170-0197	\$61.95



170-0197



170-0747

**High Flow Air Filter Kits**

**FITMENT**

- S&S Classic Teardrop air cleaners for Super E & G carbs and S&S EFI throttle bodies

**FEATURES AND BENEFITS**

- Low restriction filter element comes pre-oiled for true plug and play installation

- 1" wider filtration area provides up to 37% more airflow over standard S&S filters
- Resulting band of exposed filter material imparts a high performance look

**KIT CONTENTS**

- Wide filter
- Filter spacers

HIGH FLOW AIR FILTERS			
Description	Fitment	Part #	MSRP
High Flow Air Filter Kit <i>(includes spacers)</i>	Classic Teardrop	17-0045	\$81.95
	Stealth, 1" Taller	170-0127*	\$91.95
1" Taller Filter Only	Classic Teardrop	106-4724	\$40.95
	Stealth	170-0154	\$61.95
Spacer	Classic Teardrop & Stealth, 1" Taller	50-5009-S	\$19.95

\*NOT LEGAL FOR SALE OR USE IN CALIFORNIA ON ANY POLLUTION CONTROLLED MOTOR VEHICLE. NOT LEGAL FOR SALE OR USE NATIONWIDE ON ANY FEDERAL POLLUTION CONTROLLED MOTOR VEHICLE UNDER THE CLEAN AIR ACT



170-0127

17-0045

**Standard Replacement Filters**

STANDARD REPLACEMENT AIR FILTERS			
Description	Fitment	Part #	MSRP
Standard Filter Only	Classic Teardrop	106-4722	\$30.95
	Stealth	170-0126	\$61.95



106-4722

MB

2007-17  
TWIN CAM  
96"/103"/110"

1999-'06  
TWIN CAM  
88"

SPORTSTER, STREET,  
NIGHTSTER, STREET ROD  
& BUELL

TOOLS &  
SHOP  
SUPPLIES

WARRANTY &  
COMPANY  
POLICY

APPENDIX



For Harley-Davidson® Twin Cam 96™ And 103™



**4" BORE BOLT-IN SIDEWINDER® BIG BORE KIT**

S&S 4" big bore cylinder and piston kits boost 88 and 96/103" Harley-Davidson® big twin engines to 100" and 110" respectively. These bolt-in kits don't require any machining, rebalancing or engine removal, and include just about everything you'll need to complete the installation. The biggest cylinder bore that can be installed in a stock crankcase without machining! [page 97](#)



**124" HOT SET UP KIT**

Ready for the ultimate? The 124" HSU kit will take you to the limit increasing both your bore and stroke. The included flywheel increases the stroke from 4 3/8" to 4 5/8". The kit's cylinders open the stock 3 3/4" bore to 4 1/8". S&S Easy Start 640 gear drive camshafts are included! Kits are available for balanced and unbalanced engines. CTO allows you to select other camshaft and cylinder head options to build the ultimate kit of your dreams. Your crankcase will require machining for these cylinder spigots to fit. Fuel injection tuning required. [page 98](#)



**117" BIG BORE KIT**

The S&S 117" big bore top end kit, for 96" and 103" engines, is an economical route to big inches and increased performance. Use the stock crankcases, flywheel assembly, and cylinder heads for a stock look and a smaller price tag. Crankcase boring is required to accommodate the larger 4 3/8" bore cylinders. Finish the conversion off with your choice of performance cams, fuel system upgrade, and tuning. Available in dished dome or flat topped pistons and in wrinkle black or silver powder coat finish that matches the stock heads and cases. [page 99](#)



**107" & 106" BIG BORE KIT**

A low cost bolt-on kit provides big displacement! The 107" and 106" Big Bore Kits offer the simplicity of a bolt-on cylinder kit. Satisfy your thirst for speed! Bore is increased from 3.750" to 3.927", taking your displacement from 96" or 103" to 106"! The kit contains cylinders, pistons, rings and all gaskets needed. Fuel injection tuning required. [page 101](#)

2007-17  
TWIN CAM  
96"/103"/110"

PERFORMANCE KIT SPECIFICATIONS FOR HARLEY-DAVIDSON® TWIN CAM 96™/103™/110™													
KIT DESCRIPTION	BORE	STROKE	COMPRESSION RATIO								CAMSHAFT	HORSEPOWER	TORQUE
			Stock Heads	79cc	89cc	91cc	CNC Heads						
							83cc	85cc	87cc	90cc			
Power Pack	4"	4 3/8"	10.5	11.1	10.2	9.9	10.7	10.5	10.3	10	585	110	119
124" Hot Set Up Kit (Flat Top Piston)	4 1/8"	4 5/8"	11.4:1	*	11:1	10.8:1	11.6:1	11.4:1	11.2-1	10.9:1	640	127	130
106" Big Bore Kit	3.927"	4 3/8"	10.0:1	10.7:1	9.7:1	9.5:1	10.2-1	10.1:1	9.9:1	9.6:1	—	106	108

*\*Not Recommended*

PERFORMANCE KIT CONTENTS, OPTIONS AND REQUIREMENTS FOR HARLEY-DAVIDSON® TWIN CAM 96™/103™/110™													
KIT DESCRIPTION	PACKAGE CONTENTS										MACHINING REQUIRED	CTO OPTIONS*	REJETTING OR CALIBRATION CHANGE
	Flywheels	Cylinders	Pistons w/rings	Rocker Arms	Pushrods w/covers	Lifters	Camshafts	Valve Springs	Heads w/springs	Gaskets			
Power Pack		●	●			●	●						
124" Hot Set Up Kit	●	●	●	●	●	●	●		○	●	③ ④	⑤ ⑥ ⑦	●
117" Big Bore Kit		●	●						○	●	③ ④	⑤ ⑥ ⑦	●
106" Big Bore Kit		●	●							●			●

○ = Optional  
 ① = Order separately  
 ② = Bore & hone cylinders  
 ③ = Crankcase machining for center stud  
 ④ = Crankcase machining for cylinder spigots  
 ⑤ = Camshaft selection  
 ⑥ = CNC heads  
 ⑦ = Combustion chamber size selection  
 ⑧ = Cylinder & piston set available

*\*The CTO option column lists only the major items offered. Virtually any option can be selected from our product offerings through the Configure To Order (CTO) program.*

**FUEL INJECTION TUNING REQUIRED. S&S OFFERS FUEL INJECTION TUNING SOLUTIONS: PAGE 134**





S&S 4" big bore cylinder and piston kits boost 96/103" HD® big twin engines to 110". These bolt-in kits don't require any machining, rebalancing or engine removal and include just about everything you'll need to complete the installation. The biggest cylinder bore that can be installed in a stock crankcase without machining!

**FEATURES & BENEFITS**

- Bolts in. No machining, balancing, or splitting the crankcases
- 96" and 103" engines end up at 110"
- Complete kits include cylinders, pistons, gaskets, and instructions
- Choose from wrinkle black or silver powder coat cylinders – matches stock finish

**FITMENT**

- 2007–17 big twins (except 2014–16 Twin-Cooled™ & 2017 touring models)

**SPECS FOR S&S 4" BORE BOLT-IN CYLINDER & PISTON KITS**

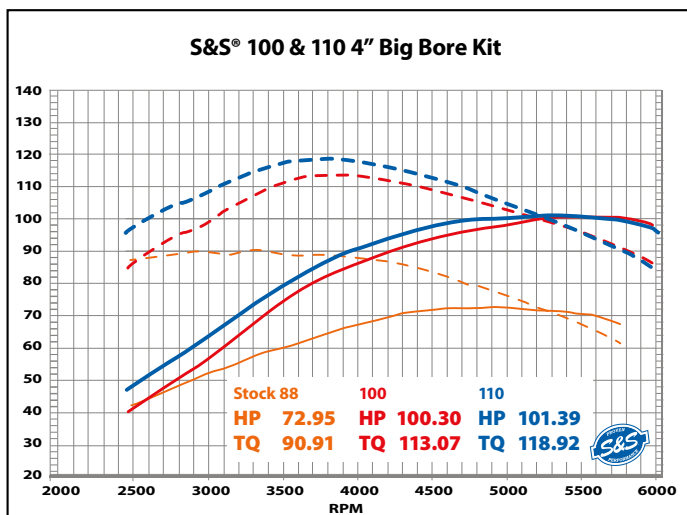
Year	Stroke	Bore	Cylinder Length	Piston Type	Dome Volume	Compression Ratio		
						83cc CNC Heads	85cc Stock Heads	89cc S&S Heads
2007–2017	4 3/8"	4.00"	4.937"	Forged	.75 pop up	10.7:1	10.5:1	10.2-1



**4" BORE BOLT-IN SIDEWINDER® BIG BORE KITS**

Displacement	Year	Stroke	Finish	Part #	MSRP
110	2007–'17 big twin (except 2014–2016 Twin-Cooled™ & 2017 touring)	4 3/8"	Silver	910-0650	\$1,565.95
	2007–'17 big twin (except 2014–2016 Twin-Cooled™ & 2017 touring)	4 3/8"	Wrinkle Black	910-0651	\$1,550.95

NOT LEGAL FOR SALE OR USE IN CALIFORNIA ON ANY POLLUTION CONTROLLED MOTOR VEHICLE. NOT LEGAL FOR SALE OR USE NATIONWIDE ON ANY FEDERAL POLLUTION CONTROLLED MOTOR VEHICLE UNDER THE CLEAN AIR ACT



These dyno results from our DynoJet® 250i chassis dynamometer clearly show the performance increases available with the S&S bolt-in 4 inch bore kits. The lowest (red) set of curves represents a stock 88 cid engine in a 2004 Harley-Davidson® FLHR Road King®. The next curves above the stock baseline (blue) shows the performance of the S&S 100" bolt-in big bore kit. The highest set of curves show the results from an S&S 110" big bore kit installed in a 96 cid engine. The engines with the S&S 100" and 110" kits were also set up with S&S S85 cams, Power Tune® headers, Mk45 muffler, and the stock EFI throttle body with an S&S Stealth air cleaner.

**NOTE:**

Not for use with S&S 79cc Cylinder Heads.

S&S does not recommend compression ratios higher than 10:1 for Tri Glide® or other three wheel models (including conversions) due to extra loads caused by the lugging nature of these bikes. Detonation and subsequent engine damage may result.

MB

2007-17  
TWIN CAM  
96"/103"/110"

1999-'06  
TWIN CAM  
88"

SPORTSTER, STREET,  
NIGHTSTER, STREET ROD  
& BUJEL

TOOLS &  
SHOP  
SUPPLIES

WARRANTY &  
COMPANY  
POLICY

APPENDIX



**FITMENT**

- All 2007-'17 big twin models and 2006 Dyna® models, except 2017 touring models (2016 Twin-Cooled™ models not compatible with kits containing heads)

**FEATURES AND BENEFITS**

- Huge displacement increase means huge power increase
- Stock crankcases, cylinder heads, oil pump, and cam cover can be reused
- Original engine serial numbers are retained
- Gear drive S&S 640 Easy Start Cams included!
- Wrinkle black& stone gray powder coat finish matches factory finish
- .045" MLS (multi-layered steel) head gaskets
- Adds .096" to engine height—still fits in stock frames
- Kits with S&S heads use stock length manifolds (S&S size 405)
- Cylinder w/piston kits include fitted pistons ready to install



**OPTIONS**

The following three options are examples of the most commonly ordered kits.

Option 1 (10.8:1 compression ratio) includes:

- S&S 91cc high flow Super Stock® heads
- Flat topped pistons

Option 2 (without heads, 10.4:1 compression ratio intended for stock 85cc chamber cylinder heads) includes:

- 10.9cc Dished pistons

**S&S® 124" HOT SET UP KIT® SPECIFICATIONS**

Year	Stroke	Bore	Cylinder Length	Piston Type/Compression Ratio			
				91cc S&S Heads	89cc S&S Heads	85cc Stock Heads	95cc Stock 110 CVO Heads
2007-'16	4 5/8"	4 1/8"	5.004"	Flat top forged/10.8:1	Flat top forged/11:1	Forged, 10.9cc dish/10.4:1	10.5:1



**124" HOT SET UP KITS® FOR HARLEY-DAVIDSON® TWIN CAM 96™/96B™/103™/110™ ENGINES**

(Kits include S&S® Super Stock® 91cc Cylinder Heads 10.8:1 Compression)

Model or Engine Type	Cam	Finish	Part #	MSRP
2006 Dyna® & 2007-'17 Twin Cam 96™/103™ & 2008-up touring models	640GE	Wrinkle Black	900-0568	\$6,643.95
2007-'17 big twins w/Balancer			900-0569	\$6,262.95

Does not fit Twin-Cooled™ models

NOT LEGAL FOR SALE OR USE IN CALIFORNIA ON ANY POLLUTION CONTROLLED MOTOR VEHICLE. NOT LEGAL FOR SALE OR USE NATIONWIDE ON ANY FEDERAL POLLUTION CONTROLLED MOTOR VEHICLE UNDER THE CLEAN AIR ACT



**124" HOT SET UP KIT® WITHOUT HEADS FOR HARLEY-DAVIDSON® CVO 110 ENGINES**

(KITS INCLUDE FLAT TOP PISTONS 10.5:1 COMPRESSION WHEN USED WITH 95CC STOCK 110 CVO HEADS)

Year	Cam	Finish	Part #	MSRP
2007-'17 CVO 110 engines	640	Stone Gray	900-0690	\$5,507.95

NOT LEGAL FOR SALE OR USE IN CALIFORNIA ON ANY POLLUTION CONTROLLED MOTOR VEHICLE. NOT LEGAL FOR SALE OR USE NATIONWIDE ON ANY FEDERAL POLLUTION CONTROLLED MOTOR VEHICLE UNDER THE CLEAN AIR ACT

**NOTES :**

S&S does not recommend compression ratios higher than 10:1 for Tri Glide® or other three wheel models (including conversions) due to extra loads caused by the lugging nature of these bikes. Detonation and subsequent engine damage may result.

S&S Easy Start Cams save you money—no need to buy compression releases or S&S rocker covers.

Twin-Cooled applications will require separate purchase of 900-0609 head gaskets.

For engines with cable controlled throttle bodies we recommend the S&S 58mm or 66mm Throttle Hog (page 130). For 2008-up touring models with electronic throttle control S&S recommends a S&S Throttle Hog 58mm or 66mm Throttle body (page 131).

This kit will require that the case be bored to accept the larger cylinders.

Main Bearing Note: S&S flywheel assemblies included in a 124" S&S Hot Set Up Kit® for 1999-'16 big twin engines are designed for use with Timken® sprocket shaft bearings. They will fit directly in stock 1999-'02 Harley-Davidson® crankcases and in all S&S crankcases for 1999-'16 big twin engines, with no modifications. However, stock 2003 and later engines use a roller type bearing for the sprocket shaft, and will require modification.

Due to the amount of power these engines produce with an S&S Hot Set Up Kit, S&S strongly recommends retrofitting 2003-'16 model crankcases to accept a Timken sprocket shaft bearing. A Timken conversion sleeve such as Screamin' Eagle® #34822-08 or Jim's® #956 may be used. A charging system spacer for 1999-'02 model year is also required.

If you choose not to convert your crankcases to a Timken sprocket shaft bearing, S&S flywheels may be used in 2003 and later engines with the installation of the Harley-Davidson® bearing kit #24004-03B. This bearing kit adapts the S&S sprocket shaft to be compatible with stock roller type bearings. Verify that the bearing kit contains the 24604-00D or 24607-07 or sprocket shaft bearing or S&S p/n 310-0761 for touring models. Do not use a 24604-00, 24604-00A, 24604-00B or 24604-00C bearing. Please be advised that if this type of bearing is used, sprocket shaft bearing failure WILL NOT be covered under warranty.

Fuel injection tuning is required. S&S offers fuel injection tuning solutions: page 134

Kits with S&S heads are machined special to compensate for engine height change to accommodate a stock length manifold. When using a kit with stock cylinder heads, S&S recommends using the appropriate length manifold. For a 124" with stock OEM cylinder heads, the standard manifold length is 417.

Center case bolt between cylinders will use waisted bolt kit 900-0807

2007-'17  
TWIN CAM  
96"/103"/110"



**FITMENT**

- 2007-'17 big twins, *except 2017 touring models*  
(Twin-Cooled™ models require 900-0609 head gaskets)

**FEATURES AND BENEFITS**

- Large displacement increase with a small price
- Your original crankcase, flywheel, cylinder heads, oil pump, and cam cover are reused
- Silver or wrinkle black powder coat matches factory finish
- .060" shorter than stock engine - no frame clearance issues
- Piston weight is the same as stock Twin Cam 96™/103™ —no balancing required
- Piston is plated for extreme durability and skirts feature low friction Wiseco ArmorGlide® coating



910-0221

117" BIG BORE KITS				
Model or Engine Type	Piston	Finish	Part #	MSRP
117" Standard Compression	Flat Top	Silver	910-0213 <sup>‡</sup>	\$1,499.95
		Wrinkle Black	910-0221 <sup>‡</sup>	\$1,534.95
		Stone Gray	910-0474	\$1,534.95
117" Low Compression	Dished	Silver	910-0321	\$1,499.95
		Wrinkle Black	910-0318	\$1,499.95
Special Order*		Specify	91-7506*	\$10,099.95

\*Download the Special Order Form at [sscycle.com/soforms](http://sscycle.com/soforms)  
NOT LEGAL FOR SALE OR USE IN CALIFORNIA ON ANY POLLUTION CONTROLLED MOTOR VEHICLE. NOT LEGAL FOR SALE OR USE NATIONWIDE ON ANY FEDERAL POLLUTION CONTROLLED MOTOR VEHICLE UNDER THE CLEAN AIR ACT

S&S® 117" BIG BORE KIT SPECIFICATIONS									
Year	Stroke	Displacement	Bore	Cylinder Length	Piston Type	Compression Ratio			
						91cc Super Stock Heads	89cc Super Stock Heads	85cc Stock Heads	83cc CNC Ported Stock Heads
2007-'17	4 3/8"	117"	4 1/8"	4.878"	Flat Top 106-3491A	10.4:1	10.5:1	10.9:1	11.2-1
2007-'17	4 3/8"	117" LC	4 1/8"	4.878"	Dished, 10cc 920-0046	9.5:1	9.7:1	10.0:1	10.3:1

**NOTES :**

<sup>‡</sup>S&S does not recommend compression ratios higher than 10:1 for Tri Glide® or other three wheel models (including conversions) due to extra loads caused by the lugging nature of these bikes. Detonation and subsequent engine damage may result.

Twin-Cooled applications will require separate purchase of 900-0609 head gaskets.

The 117" cylinder kit will reduce the engine height ~.060", this may require the stock manifold be shortened by sanding some material off each side of the intake runner.

Cylinder w/piston kits included in this Hot Set Up Kit are pre-fit and ready to install.

2008-up touring models with electronic throttle control recommends S&S Throttle Hog 58mm or 66mm Throttle body (page 131) and Harley-Davidson® race tuner.

This kit will require that the case be bored to accept the larger cylinders.

.030" MLS head gaskets optional: Part #900-0217

S&S recommends retrofitting a Timken bearing (31-4013) into 2003-'16 model crankcases with the use of a Timken sleeve, Screamin' Eagle #34822-08 or Jim's #956. A charging system spacer for 1999-'02 model year is also required. S&S p/n 310-0761.

Requires recalibration.

MB

2007-'17  
TWIN CAM  
96"/103"/110"

1999-'06  
TWIN CAM  
88"

SPORTSTER, STREET,  
NIGHTSTER, STREET ROD  
& BUELL

TOOLS &  
SHOP  
SUPPLIES

WARRANTY &  
COMPANY  
POLICY

APPENDIX



**MAKE THAT BIG HOG REALLY RUN!**  
**S&S CAMS AND PISTONS FOR CVO™ 110**

Not satisfied with 86 horsepower from your CVO™ 110 engine? Neither were we! Fortunately, we can show you how to make that big hog really run. Here's how.

1. Install an S&S performance exhaust and air cleaner—  
*a must for any performance upgrade*
2. Install a set of S&S 585 bolt-in cams and tune the EFI system—  
*produces over 107 horsepower*
3. Increase the compression ratio from the stock 9.3:1 to 10.6:1 with S&S high compression pistons—  
*brings the horsepower up to 114*

**FITMENT**

- 2007–Up Harley-Davidson® CVO™ 110 engines

**FEATURES AND BENEFITS**

- Significant performance increase — *See the dyno chart*
- Don't trade torque for horsepower — *get more of both! See the dyno chart*
- Easy installation! All parts bolt in without splitting the cases or even removing engine from the frame
- S&S Easy Start Cams ensure reliable starting even with high compression pistons



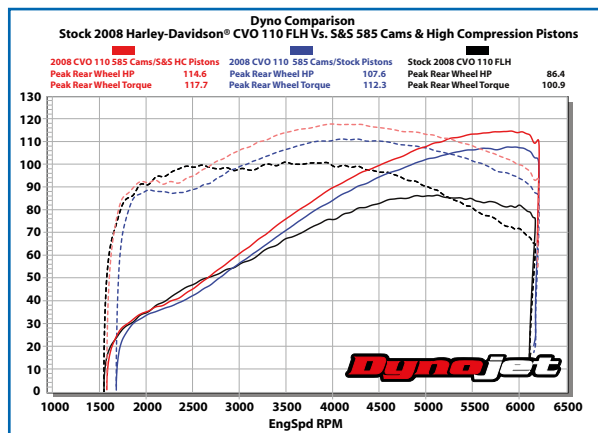
**NOTE:**

Will not work with Twin-Cooled™ heads

10.6:1 HIGH COMPRESSION PISTONS FOR HARLEY-DAVIDSON® CVO™ 110 ENGINES						
Fitment	Deck Height	Wristpin Diameter	Standard	MSRP	+010"	MSRP
2007–'17 bt CVO™ 110" engines	1.0895"	.927"	920-0114	\$587.95	920-0115	\$587.95
<i>Will not work with Twin-Cooled™ heads</i>						

585 CAMSHAFTS FOR HARLEY-DAVIDSON® CVO™ 110 ENGINES				
Cam Style	Easy Start*	MSRP	Standard	MSRP
Chain Drive 585 cams (includes installation kit)	106-5233	\$539.95	106-4382	106-4382
Gear Drive 585 cam kits (includes inner and outer gears and installation kit)	106-5225	\$1,070.95	33-5268	\$948.95
<i>*S&amp;S Easy Start cams feature a built-in automatic compression release for reliable starting. For more information go to <a href="http://www.sscycle.com/easy-start-cams">www.sscycle.com/easy-start-cams</a></i>				
NOT LEGAL FOR SALE OR USE IN CALIFORNIA ON ANY POLLUTION CONTROLLED MOTOR VEHICLE. NOT LEGAL FOR SALE OR USE NATIONWIDE ON ANY FEDERAL POLLUTION CONTROLLED MOTOR VEHICLE UNDER THE CLEAN AIR ACT				

The Dynojet® 250i chassis dynamometer shows how this 2008 Harley-Davidson® CVO™ FLH revealed its true potential with the addition of S&S performance exhaust, intake and 585 cams. The top set of curves show that bumping the compression with S&S 10.6:1 pistons really wakes up the engine and makes over 114 horsepower. That's a total increase of over 28 horsepower or nearly 33%! All tests were done with the stock 50mm throttle body. Make even more power with an S&S 58mm Throttle Hog or cable controlled throttle body.



2007-17  
TWIN CAM  
96"/103"/110"



**FITMENT**

- 2007–2017 big twins, *except 2017 touring models*
- 2014–2017 Twin Cooled models, *except 2017 touring models*

**FEATURES AND BENEFITS**

- 3.937" bore
- Cylinder and piston kits make going to a larger bore size easy—*no machining required*
- Stock engine height is maintained
- 11 fin cylinder design closely resembles OEM shape and come final honed—*ready to install*
- Increased fin area for better heat dissipation
- Centrifugal cast, gray iron liner features 40,000 psi tensile strength—*superior wear and performance*
- CP Pistons are recognized as industry leaders and provide exceptional wear, performance and noise characteristics

**KIT CONTENTS**

- S&S cylinders with gaskets
- Piston set with rings, wristpins, and wristpin clips



**S&S® 107" BIG BORE KIT AND HOT SET UP KIT SPECIFICATION CHART**

Year	Stroke	Bore	Cylinder Length	Piston Type	COMPRESSION RATIO (with provided .045" head gasket)		
					83cc CNC Ported Stock Heads	85cc Stock Heads	89cc S&S Heads
2007–2017	4 3/8"	3.937"	4.937"	Forged, 3cc Dome	10.7:1	10.5:1	10.1:1

*Cylinder w/piston kits include pistons and cylinders that require no boring or honing.*

**107" BIG BORE KITS**

Fitment	Cylinder Finish	Part #	MSRP
2007–'17 big twin, <i>except 2017 touring models</i>	Silver	<b>910-0480</b>	<b>\$1,305.95</b>
	Wrinkle Black	<b>910-0500</b>	<b>\$1,305.95</b>

NOT LEGAL FOR SALE OR USE IN CALIFORNIA ON ANY POLLUTION CONTROLLED MOTOR VEHICLE. NOT LEGAL FOR SALE OR USE NATIONWIDE ON ANY FEDERAL POLLUTION CONTROLLED MOTOR VEHICLE UNDER THE CLEAN AIR ACT

**PISTON REPLACEMENT PARTS: PAGE 112**

AM8  
2007–17 TWIN CAM 96"/103"/110"  
1999–'06 TWIN CAM 88"  
SPORTSTER, STREET, NIGHTSTER, STREET ROD & BUELL  
TOOLS & SHOP SUPPLIES  
WARRANTY & COMPANY POLICY  
APPENDIX



**FITMENT**

- 2007–2017 big twins, *except 2017 touring models*
- 2014–2016 Twin-Cooled™ models

**FEATURES AND BENEFITS**

- Increased fin area for better heat dissipation—be cool!
- Increase bore size from 3.750" to 3.927"—bigger is better!
- Easy installation — no machining or rebalancing required—economical!
- Forged coated pistons are compatible with stock or S&S Super Stock® 79cc & 89cc heads
- Valve pocket recessed in S&S pistons are enlarged for oversize valves and higher lift cams
- Maintains stock engine height and stock piston weight
- Cosmetic improvements—hard to tell from stock cylinders

- 11 fins and full fin pattern on cam side closely resembles OEM shape
- S&S logo and part numbers are less conspicuous
- Better overall appearance

**OPTIONS**

- Oversize pistons available  
-page 112

**KIT CONTENTS**

- S&S cylinders with gaskets
- Piston set with rings
- Top end gasket kit
- Instructions

**S&S® 106" BIG BORE KIT SPECIFICATION CHART**

Year	Stroke	Bore	Cylinder Length	Piston Type	COMPRESSION RATIO			
					85cc Stock Heads	79cc S&S Heads	89cc S&S Heads	83cc CNC Ported Stock Heads
2007–'17	4 3/8"	3.927"	4.937"	Forged Flat Top	10.0:1	10.7:1	9.7:1	10.2-1

*Cylinder w/piston kits include fitted pistons and cylinders that require no boring or honing.*

**106" BIG BORE KITS**

Fitment	Finish	Part #
2007–'17 big twin and 2014–'16 Twin-Cooled™ Models	Wrinkle Black	<b>910-0206</b>
	Silver	<b>910-0202</b>

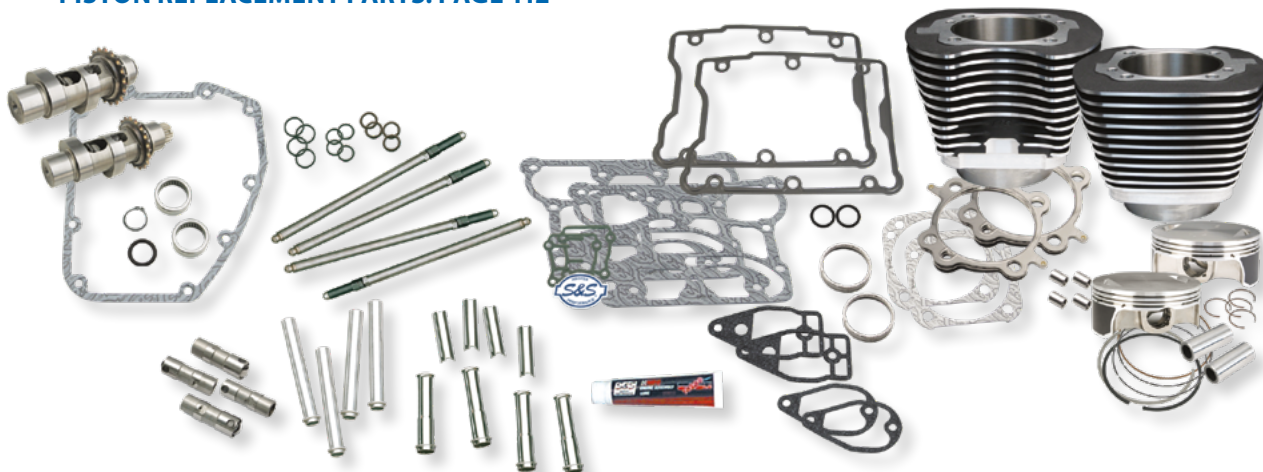
NOT LEGAL FOR SALE OR USE IN CALIFORNIA ON ANY POLLUTION CONTROLLED MOTOR VEHICLE. NOT LEGAL FOR SALE OR USE NATIONWIDE ON ANY FEDERAL POLLUTION CONTROLLED MOTOR VEHICLE UNDER THE CLEAN AIR ACT

**106" HOT SET UP KITS® WITH CYLINDERS & PISTONS WITHOUT HEADS**

Model Year	Cam	Compression Ratio	Piston Type	Finish	Part #	MSRP
2007–'17 big twin and 2014–'16 Twin-Cooled™ Models	585CE	10.0:1	Flat top	Wrinkle Black	<b>900-0354</b>	<b>\$2,111.95</b>
				Silver	<b>900-0355</b>	<b>\$2,111.95</b>

NOT LEGAL FOR SALE OR USE IN CALIFORNIA ON ANY POLLUTION CONTROLLED MOTOR VEHICLE. NOT LEGAL FOR SALE OR USE NATIONWIDE ON ANY FEDERAL POLLUTION CONTROLLED MOTOR VEHICLE UNDER THE CLEAN AIR ACT

**PISTON REPLACEMENT PARTS: PAGE 112**



**NOTE:**

S&S® highly recommends installing a performance cam for easier starting and better engine performance. S&S high flow cylinder heads or CNC ported stock heads will provide further horsepower gains. These kits require tuning.

2007-'17  
TWIN CAM  
96"/103"/110"



S&S performance engines for 2007-'17 Harley-Davidson® big twins are available as long blocks which do not include fuel or ignition systems. Engines are protected by super tough powder coat finishes. Available in silver and chrome, wrinkle black and chrome, stone grey and chrome, and Black Edition color schemes. Stone grey matches the engine finish on CVO models, and Black Edition is a wrinkle black engine with gloss black covers.

**BLACK EDITION**

S&S Cycle's new Black Edition engines combine classic wrinkle black with high gloss black powder coated covers for a subtle contrast and elegant look while still producing the power and reliability you've come to expect.

**T143 (143 cid)**

The T143 T2 long block engine is the largest (143 cid) S&S engine that will fit in a stock chassis. Long blocks come without fuel or ignition systems (available separately) and an oil line installation kit is required. Available in silver, wrinkle black, stone grey, or Black Edition finishes. The 160 rear wheel horsepower also requires performance drive train upgrades. Not for the faint of heart!

**T124 (124 cid)**

The S&S T124 T2 long block engine has been our daily rider hot rod since 2004. The combination of day in and day out reliability and brutal power make it the perfect choice. Available in silver, wrinkle black, stone grey, or Black Edition finishes. Long blocks come without fuel or ignition systems. Our Throttle Hog EFI throttle bodies are highly recommended.

**T111 (111 cid)**

The S&S T111 T2 long block is the ultimate sport touring engine. The shorter stroke provides a perfect combination of performance, engine life, quiet operation, and reduced vibration. Available in silver, wrinkle black, stone grey, or Black Edition finishes. Long blocks come without fuel or ignition systems. Our Throttle Hog EFI throttle bodies are available to complete the package.



MB

2007 - '17  
TWIN CAM  
96"/103"/110"

1999 - '06  
TWIN CAM  
& BB

SPORTSTER, STREET,  
NIGHTSTER, STREET ROD  
& BUELL

TOOLS &  
SHOP  
SUPPLIES

WARRANTY &  
COMPANY  
POLICY

APPENDIX



**If Bigger is Better, the T143 is the Best...  
The *BIGGEST, BADDEST, BOLT-IN* for a Stock Frame.**

All joking about size aside, it does matter. The S&S T143 Long Block engine for Harley-Davidson® models is the largest S&S engine that will fit in a stock Harley-Davidson® chassis. It's big, 143 cubic inches. 'Nuff said.

At double the HP of a stock motor the power of the T143 requires technical expertise for the installation and tuning along with an experienced rider. This is an ultra performance/race engine. Longevity, engine noise, vibration and throttle sensitivity have all been compromised to reach this level of performance while fitting in a stock chassis and as such is not suitable for every situation. It is the purchaser's responsibility to consider the suitability for their application. Engine noise and damage from abuse is not covered under warranty.

**FITMENT**

- 2007–'16 Harley-Davidson® touring models
- 2006–'17 Dyna® models

**FEATURES AND BENEFITS**

- Fits in stock chassis—no cutting or frame modifications
- S&S B3 cylinder heads CNC machined with 2 bolt exhaust flanges
- S&S Super Stock T2 Crankcases with reed breather valve
- 3 Piece Flywheels
- TC3 Oil Pump and Cam Plate
- S&S 635 Easy Start Gear Drive Cams and S&S 1.725:1 rocker arms for .674" total lift.
- S&S Precision Tappets
- 1 year warranty

**OPTIONS**

- Wrinkle Black, Stone Gray, or Black Edition powder coat finish

**SUGGESTED ACCESSORIES**

- Stealth Air Cleaner Kit 143 Cover: [page 91](#)

**NOTE:**

T-Series engines are not compatible with HD® Softail® models.

\*S&S does not recommend compression ratios higher than 10:1 for Tri Glide® or other three wheel models (including conversions) due to extra loads caused by the lugging nature of these bikes. Detonation and subsequent engine damage may result.



T143 ENGINES WITHOUT FUEL AND IGNITION SYSTEMS										
Chassis Style	Displacement	Bore	Stroke	Cam	Piston Type	CR	Warranty	Finish	Part #	MSRP
2007–'16 touring models	143"	4.425"	4 5/8"	635	S&S Forged Flat Top	10.5:1	1 year	Wrinkle Black & Chrome	310-0548A <sup>‡</sup>	\$11,524.95
								Black Edition	310-0837A <sup>‡</sup>	\$11,739.95
2006–'17 Dyna® Models	143"	4.425"	4 5/8"	635	S&S Forged Flat Top	10.5:1	1 year	Black Edition	310-0901A	\$11,739.95
								Wrinkle Black & Chrome	310-0883A	\$11,524.95

NOT LEGAL FOR SALE OR USE IN CALIFORNIA ON ANY POLLUTION CONTROLLED MOTOR VEHICLE. NOT LEGAL FOR SALE OR USE NATIONWIDE ON ANY FEDERAL POLLUTION CONTROLLED MOTOR VEHICLE UNDER THE CLEAN AIR ACT

**! REQUIRES OIL LINE INSTALLATION KIT.** See chart.

INSTALLATION PARTS			
Description		Part #	MSRP
Oil Line Install Kit for 2006–'17 Dyna® Models	Wrinkle Black	310-0870	\$669.95
Oil Line Kit for 2007–'16 touring models		310-0435 <sup>±</sup>	\$193.95
Transmission Drilling Fixture Kit for 2007–'16 touring models		530-0006	\$293.95
Head Mount Bracket	2009–'16 touring	900-0798	\$82.95
	2008 touring	900-0797	\$71.95
Fuel Injector 2 pack		550-0603	\$319.95

INSTALLATION PARTS CONTINUED			
Description		Part #	MSRP
70mm Induction Kit* 2008–'16 touring (includes injectors)		170-0253 <sup>±</sup>	\$1,744.95
70mm Induction Kit Cable operated 2007–'17 Dyna® models & 2007 touring models (includes injectors)		170-0288	\$2,101.95

\*Includes a 70mm S&S Throttle Hog specially designed for the T143 engine in which a functional, stock, throttle by wire throttle body must be supplied to build. See page 131 for more details.  
<sup>±</sup> **! WARNING:** Cancer and Reproductive Harm – www.P65Warnings.ca.gov

2007-'17 TWIN CAM 96"/103"/110"





**FITMENT**

- 2007–'16 touring models (except Twin-Cooled™ models)
- 2006–'17 Dyna® Models

**FEATURES AND BENEFITS**

- No fuel system or ignition systems included—Use what you already have
- Special Head machining—Fits stock length intake manifolds (S&S manifold size 405)
- Stock style breathing system—stock breather spacing and function is compatible with stock and most performance air cleaners
- Super Stock™ T2 Crankcase
- 3 Piece Flywheels
- TC3 Oil Pump and Cam Plate
- S&S Easy Start gear drive cams
- Stock Twin Cam 96™ bolt pattern

**OPTIONS**

- T111—111 cubic inches, perfect sport-touring engine
- T124—124 cubic inches, hot-rod performance, 640 Easy Start gear drive cams
- T124LC—124 cubic inches with slightly lower compression, 585 Easy Start gear drive cams
- Stone Gray powder coat finish that matches the Granite color of a “stock” CVO engine

**SUGGESTED ACCESSORIES**

- Stealth Air Cleaner Kits: [page 88](#)



**T124 ENGINES WITHOUT FUEL AND IGNITION SYSTEMS**

Chassis Style	Displacement	Bore	Stroke	Cam	Piston Type	CR	Warranty	Finish	Part #	MSRP
2007–'16 touring models	124"	4 1/8"	4 5/8"	640	S&S Forged Flat Top	10.8:1	2 Year	Black Edition	<b>310-0835A<sup>‡</sup></b>	<b>\$8,599.95</b>
								Wrinkle Black & Chrome	<b>310-0400A<sup>‡</sup></b>	<b>\$8,299.95</b>
								Stone Gray	<b>310-0511A<sup>‡</sup></b>	<b>\$8,099.95</b>
				585	S&S Forged Dished, 11cc	10.2-1	2 Year	Black Edition	<b>310-0836A<sup>‡</sup></b>	<b>\$8,599.95</b>
								Wrinkle Black & Chrome	<b>310-0401A<sup>‡</sup></b>	<b>\$8,259.95</b>
								Stone Gray	<b>310-0512A<sup>‡</sup></b>	<b>\$8,259.95</b>
2006–'17 Dyna® Models	124"	4 1/8"	4 5/8"	640	S&S Forged Flat Top	10.8:1	2 Year	Black Edition	<b>310-0900A</b>	<b>\$8,799.95</b>
								Wrinkle Black & Chrome	<b>310-0882A</b>	<b>\$8,259.95</b>

**NOTE:**

<sup>‡</sup>S&S does not recommend compression ratios higher than 10:1 for Tri Glide® or other three wheel models (including conversions) due to extra loads caused by the lugging nature of these bikes. Detonation and subsequent engine damage may result.

**T111 ENGINES WITHOUT FUEL AND IGNITION SYSTEMS**

Chassis Style	Displacement	Bore	Stroke	Cam	Piston Type	CR	Warranty	FinishEM	Part #	MSRP
2007–'16 touring model	111"	4 1/8"	4 1/8"	585	S&S Forged	9.8:1	2 Year	Wrinkle Black & Chrome	<b>310-0402A</b>	<b>\$8,259.95</b>
2007–'16 touring model				585				Black Edition	<b>310-0834A</b>	<b>\$8,229.95</b>

**INSTALLATION PARTS FOR S&S T-SERIES T2 LONG BLOCK ENGINES**

Description	Part #	MSRP
Oil Line Kit for 2007–'16 touring models	<b>310-0435<sup>‡</sup></b>	<b>\$193.95</b>
Transmission Drilling Fixture Kit	<b>530-0006</b>	<b>\$293.95</b>
Oil Line Install Kit for 2006–'17 Dyna® models*	Wrinkle Black <b>310-0870</b>	<b>\$669.95</b>

\*NOT LEGAL FOR SALE OR USE IN CALIFORNIA ON ANY POLLUTION CONTROLLED MOTOR VEHICLE. NOT LEGAL FOR SALE OR USE NATIONWIDE ON ANY FEDERAL POLLUTION CONTROLLED MOTOR VEHICLE UNDER THE CLEAN AIR ACT  
<sup>‡</sup>WARNING: Cancer and Reproductive Harm – www.P65Warnings.ca.gov

**NOTE:**

T-Series engines are not compatible with HD® Softail® models.

**ENGINE MANAGEMENT AND FUEL SYSTEMS**

Cylinder heads on these engines are specially machined to compensate for the non-stock cylinder length. As a result, they are compatible with manifolds and throttle bodies with stock length intake runners. In addition, the breather vent bolt locations have been adjusted so they are in the stock location, so stock style air cleaner back plates will bolt up to these engines. For best performance, S&S Throttle Hog Throttle Body is recommended. [page 131](#).

DISCLAIMER: NOT LEGAL FOR SALE OR USE IN CALIFORNIA ON ANY POLLUTION CONTROLLED MOTOR VEHICLE. NOT LEGAL FOR SALE OR USE NATIONWIDE ON ANY FEDERAL POLLUTION CONTROLLED MOTOR VEHICLE UNDER THE CLEAN AIR ACT

**REQUIRES OIL LINE INSTALLATION KIT.** See chart.

**COMPLETE ENGINE REBUILD GASKET KITS**

S&S Engine Family	Bore Size	Part #	MSRP
T-Series	4 1/8"	<b>310-0335</b>	<b>\$278.95</b>



AM 8

2007–'17 TWIN CAM 96"/103"/110"

1999–'06 TWIN CAM 88"

SPORTSTER, STREET, NIGHTSTER, STREET ROD & BUZZ

TOOLS & SHOP SUPPLIES

WARRANTY & COMPANY POLICY

APPENDIX



2007-17  
TWIN CAM  
96"/103"/110"

**FITMENT**

- 2007–'16 Harley-Davidson® touring models
- 2006–'17 Dyna® models

**FEATURES AND BENEFITS**

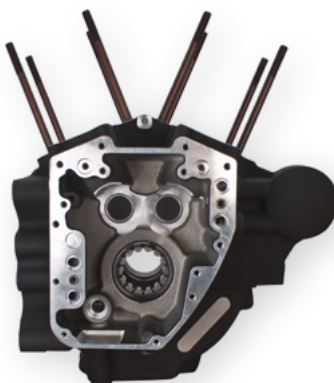
- Stock looking, but stronger—*Thicker wall sections & superior 356-T6 aircraft grade aluminum*
- Tough powder coat finish
- Reinforced front motor mount for extra strength
- Timken® sprocket shaft bearing—*Strong enough for the most demanding applications*
- Clearanced for strokes up to 4<sup>13</sup>/<sub>16</sub>" and cams up to .720" lift
- Includes pinion & Timken® bearing
- Manufacturer's Statement of Origin (MSO) included
- Includes studs & cam bearings installed

**KIT CONTENTS**

- S&S crankcase
- Bearings and hardware
- Instructions

**INSTALLATION PARTS**

- S&S oil line kit (*required*)
- S&S transmission drilling fixture kit (*recommended for easy installation*)



**NOTE:**

Will require early style sprocket shaft spacer for charging system. Use S&S pn 310-0761.



INSTALLATION PARTS			
Description	Part #	MSRP	
Oil Line Kit for 2007–'16 touring models	310-0435±	\$193.95	
Transmission Drilling Fixture Kit	530-0006	\$293.95	
Oil Line Install Kit for 2006–'17 Dyna® Models	Wrinkle Black 310-0870	\$669.95	
<small>NOT LEGAL FOR SALE OR USE IN CALIFORNIA ON ANY POLLUTION CONTROLLED MOTOR VEHICLE. NOT LEGAL FOR SALE OR USE NATIONWIDE ON ANY FEDERAL POLLUTION CONTROLLED MOTOR VEHICLE UNDER THE CLEAN AIR ACT                      ± ⚠️ WARNING: Cancer and Reproductive Harm – www.P65Warnings.ca.gov</small>			



**REPLACEMENT PARTS: PAGE 144**

SUPER STOCK™ T2 CRANKCASES FOR 2007–'16 HARLEY-DAVIDSON® FL BIG TWIN ENGINES		
Stock Bore (Stock Bolt Pattern) 2007–'16 touring models		
Finish	Part #	MSRP
Wrinkle Black	310-0367A†	\$1,730.95
Stock Bore (Dyna® models)		
Finish	Part #	MSRP
Wrinkle Black	310-0878*	\$1,795.95
CVO 110 Stock Bore		
Finish	Part #	MSRP
Stone Gray	310-0543A†	\$1,876.95
4 <sup>1</sup> / <sub>8</sub> " Bore (Stock Bolt Pattern) 2007–'16 touring models		
Finish	Part #	MSRP
Stone Gray	310-0503*	\$1,781.95
Wrinkle Black	310-0369*	\$1,781.95
4 <sup>1</sup> / <sub>8</sub> " Bore (Dyna models with Stock Bolt Pattern)		
Finish	Part #	MSRP
Wrinkle Black	310-0856*	\$1,816.95
4.425" Bore 2007–'16 touring models		
Finish	Part #	MSRP
Wrinkle Black	310-0690	\$1,825.95
4.425" Bore (Dyna® models)		
Finish	Part #	MSRP
Wrinkle Black	310-0859	\$2,121.95
<small>†Exempt from emissions tampering regulations under CARB EO#D-355-18 when used with stock bore cylinders                      FOR CLOSED COURSE COMPETITION USE ONLY. NOT INTENDED FOR STREET USE. LEGAL IN CALIFORNIA ONLY FOR RACING VEHICLES WHICH MAY NEVER BE USED, OR REGISTERED OR LICENSED FOR USE, UPON A HIGHWAY. NOT LEGAL FOR SALE OR USE NATIONWIDE ON ANY FEDERAL POLLUTION CONTROLLED MOTOR VEHICLE UNDER THE CLEAN AIR ACT.                      ⚠️ WARNING: Cancer and Reproductive Harm – www.P65Warnings.ca.gov</small>		

**Crankcase Breather Reed Valves**

**FITMENT**

- Twin Cam 96™/103™ (except "B" engines)
- S&S T-Series engines

**FEATURES AND BENEFITS**

- Improved oil scavenging and reduced oil carryover



CRANKCASE BREATHER REED VALVES			
Oil Pump Fitment	Year Application	Part #	MSRP
For Engines with S&S Gear Oil Pump	2007–up S&S crankcases	310-0742	\$152.95
REPLACEMENT SPRING			
Spring, Wave, S&S™ Breather Reed Valve, 1.600" x 2" x .375"		50-8404-S	\$12.95



**NOTE:**

The crankcases breather valve for Twin Cam 96™/103™ engines was designed and developed for use with S&S Gear Oil Pumps and tappets, and may not be compatible with some aftermarket components.

Not available for Twin Cam 96™/103™ "B" engines with internal balancers.

Does not fit with aftermarket oil pumps.



**FITMENT**

- 2007–'17 Harley-Davidson® big twins (except 2017 touring models) — Balanced and unbalanced models
- S&S T-Series Engine and Hot Set Up Kit® replacement flywheels

**FEATURES AND BENEFITS**


- Heat-treated 4140 material is harder and 114% stronger than stock
- New light weight connecting rod forgings
- Available with full width wristpin connecting rods
- 1.671" diameter crankpin — increased contact area and tighter press fit for a stronger joint.
- No welding required!
- Integral mainshafts - eliminates two potential points of weakness
- Consistent balance and precision machining — Truer flywheels and less vibration
- Reduced mainshaft deflection at high rpm — less vibration, reduced piston and rod side thrusting, prevents oil pump damage, fully compatible with gear drive cams
- Capable of higher rpm — More available power!

320-0350



**How Strong Are Your Flywheels?**  
[www.sscycle.com/videos](http://www.sscycle.com/videos)

**FLYWHEEL ASSEMBLIES FOR 2007–2017 HARLEY-DAVIDSON® BIG TWIN MODELS (EXCEPT 2017 TOURING MODELS)**

Engine Displacement	Stroke	Balanced to Total Piston Weight (gms)	Rod WP End Style	Sprocket Bearing Race	Harley-Davidson® Twin Cam 96°/103™	MSRP	Harley-Davidson® Twin Cam 96B™/103B™	MSRP
96, 103, 106 big bore, 110, 117 w/S&S Pistons	4 3/8"	1035	Straight	Yes**	320-0350	\$1,764.95	320-0356	\$1,795.95
				No	320-0351	\$1,744.95	320-0357	\$1,764.95
96, 103, 110 w/Stock Pistons* 	4 3/8"	1035	Tapered*	Yes**	320-0352	\$1,764.95	320-0358	\$1,795.95
				No	320-0353	\$1,744.95	320-0359	\$1,764.95
S&S 106 Stroker***	4 1/2"	1108	Straight	No	320-0450	\$1,744.95	—	
S&S 111	4 3/8"	1035	Straight	No	320-0407	\$1,709.95	—	
SE 120R (uses 7.575" length rods)†	4 5/8"	1035	Straight	No	320-0523	\$1,744.95	—	
S&S 124	4 5/8"	1035	Straight	No	320-0464	\$1,744.95	320-0471	\$1,979.95
S&S 143 (uses 7.800" length rods)	4 5/8"	1290	Straight	No	320-0545	\$1,907.95	—	
Special Order	Specify	Specify	Specify	Specify	329-0002	\$10,099.95	329-0002	\$10,099.95

\*Stock pistons in 2007 and later engines require rods with tapered wristpin ends.

Note: All S&S Flywheels for 2007 and later engines have 7.659" length connecting rods (except the SE120R & S&S 143, see chart).

\*\*Note: Flywheel assemblies supplied with sprocket shaft bearing race installed are compatible with stock roller style sprocket shaft bearings. Assemblies with no race require a Timken® sprocket shaft bearing.

\*\*\*4 1/2" stroke flywheels include 7.667" long connecting rods.

**NOTE:**

† These flywheels are replacement flywheels for the SE 120R. When installing these flywheels in a Harley-Davidson® case, they need to run the HD piston oiling jets — not the S&S® piston oiling jets.

Strokes longer than stock will require S&S Piston Oiler Set, part #31-2026.

2007—up stock rod length is 7.659".

Main Bearing Note: Most S&S flywheel assemblies for 1999–'17 big twin engines are designed for use with Timken® sprocket shaft bearings. They will fit directly in stock 1999–'02 Harley-Davidson® crankcases and in all S&S crankcases for 1999–'17 big twin engines, with no modifications. However, stock 2003 and later engines use a roller type bearing for the sprocket shaft. S&S does offer flywheel assemblies that are compatible with late roller style stock sprocket shaft bearings, but they are not recommended for very large, high performance engines.

S&S strongly recommends retrofitting 2003–'16 model crankcases to accept a Timken sprocket shaft bearing. A Timken conversion sleeve such as Screamin' Eagle® #34822-08 or Jim's® #956 may be used. A charging system spacer for 1999–'02 model year is also required.

If you choose not to convert your crankcases to a Timken sprocket shaft bearing, S&S flywheels may be used in 2003 and later engines by either purchasing the stock compatible flywheels or by installing Harley-Davidson® bearing kit #24004-03B when using S&S flywheels designed for Timken bearings. This bearing kit adapts the S&S sprocket shaft so it is compatible with stock roller type bearings. Verify that the bearing kit contains the 24604-00D or 24607-07 sprocket shaft bearing. Do not use a 24604-00, 24604-00A, 24604-00B or 24604-00C bearing. Please be advised that if this type of bearing is used, sprocket shaft bearing failure WILL NOT be covered under warranty.

**TRYING TO IDENTIFY AN S&S® FLYWHEEL?  
 SEE FLYWHEEL I.D. CHART: SEE PAGE 366**

**REPLACEMENT PARTS: PAGE 146**

MB

2007–17  
TWIN CAM  
96°/103°/110°

1999–'06  
TWIN CAM  
88°

SPORTSTER, STREET,  
NIGHTSTER, STREET ROD  
& BUILL

TOOLS &  
SHOP  
SUPPLIES

WARRANTY &  
COMPANY  
POLICY

APPENDIX



S&S cam support plates are just what the doctor ordered when repairing a damaged engine or installing new camshafts. CNC machined from aluminum for excellent strength and dimensional accuracy. S&S cam support plates are available to fit 1999–2006 and 2007–'17 Harley-Davidson® big twin engines. We don't want to encourage bad habits so plates for 1999–2006 are not compatible with stock spring-loaded chain tensioners, and require late style hydraulic tensioners and oil pump. We suggest the S&S TC3 oil pumps be installed with S&S TC3 Cam Plate.

**FITMENT**

- 2007–'17 big twins and 2006 Dyna models, *except 2017 touring models*

**FEATURES AND BENEFITS**

- Precision CNC machined aluminum
- Adjustable oil pressure regulator—adjust without removing plate from engine
- Passage plugs are removable for service
- Made In The USA

\*Not compatible with stock spring-loaded chain tensioners or stock 1999–2006 oil pumps. Hydraulic tensioners (Unless running gear drive cams) and 2007–later style oil pump is required.



**TC3 CAM PLATE**

Fitment	Part #
2006 Dyna® models & 2007–'17 bt <i>except 2017 touring models</i>	<b>310-0625</b>

**TC3 Oil Pump**

If engine oil is the lifeblood of an engine, then the oil pump is its heart. If your engine needs a transplant, the S&S TC3 Oil Pumps are a great solution for worn out or destroyed stock units. Common causes of stock pump failure are debris and excessive pinion shaft run out. The new S&S oil pumps are much less likely to be damaged by either. Oh, and by the way, the S&S TC3 Oil Pumps pump and scavenge way more oil than stock. While you've got that engine apart, it would be a good time to install an S&S TC3 Cam Plate.

**FITMENT**

- 2007–'17 big twins and 2006 Dyna models, *except 2017 touring models*

**FEATURES AND BENEFITS**

- Consistent pressure and reliable scavenging
- Separate scavenge sections for flywheel cavity and cam chest—no interference
- Screens and magnetic traps help protect the scavenge rotors from debris
- Special design allows S&S pumps to tolerate more pinion shaft run out without damage
- Made in the USA!



TC3 OIL PUMP		
Fitment	Part #	MSRP
2006 Dyna® models & 2007–'17 bt <i>except 2017 touring models</i>	<b>310-0641</b>	<b>\$499.95</b>

**TC3 Oil Pump & Cam Plate Kits**



TC3 OIL PUMP AND CAM PLATE KITS		
Fitment	Part #	MSRP
2006 Dyna® models & 2007–'17 bt, <i>except 2017 touring models</i>	<b>310-0732</b>	<b>\$836.95</b>

**REPLACEMENT PARTS:  
PAGE 148 & PAGE 149**

2007-'17  
TWIN CAM  
96"/103"/110"

**FITMENT**

- 1999–'17 Twin Cam 88°, 96™ and 103™ (except 2017 touring models)
- S&S T-Series engines



DIE CAST GEARCOVER			
Finish		Part #	MSRP
Gloss Black	143"	<b>310-1084</b>	<b>\$295.95</b>
	124"	<b>310-1085</b>	<b>\$295.95</b>
	111"	<b>310-1086</b>	<b>\$305.95</b>
Chrome	143"	<b>310-1087</b>	<b>\$295.95</b>
	124"	<b>310-1088</b>	<b>\$295.95</b>
	111"	<b>310-1089</b>	<b>\$295.95</b>

**⚠️ WARNING: Cancer and Reproductive Harm – www.P65Warnings.ca.gov**

**Cylinders with Pistons Kit**

- Cylinder w/piston kits include fitted pistons and cylinders, head gaskets, base, and exhaust gaskets
- Cylinder kits with pistons are honed to fit the pistons included.

**S&S® 4" BORE BOLT-IN SIDEWINDER® KITS SPECIFICATION CHART**

Displacement	Stroke	Bore	Cylinder Length	Piston Type	Dome Volume	Compression Ratio		
						83cc CNC Heads	85cc Stock Heads	89cc S&S Heads
110"	4 3/8"	4.00"	4.937"	Forged	.75 pop up	10.7:1	10.5:1	10.2-1

**4" BORE BOLT-IN SIDEWINDER® BIG BORE KITS**

Displacement	Silver	MSRP	Wrinkle Black	MSRP
110	<b>910-0650</b>	<b>\$1,565.95</b>	<b>910-0651</b>	<b>\$1,550.95</b>

NOT LEGAL FOR SALE OR USE IN CALIFORNIA ON ANY POLLUTION CONTROLLED MOTOR VEHICLE. NOT LEGAL FOR SALE OR USE NATIONWIDE ON ANY FEDERAL POLLUTION CONTROLLED MOTOR VEHICLE UNDER THE CLEAN AIR ACT

**NOTE:**

Not for use with S&S 79cc Cylinder Heads. Not for use on trike models..



**PISTON REPLACEMENT PARTS: PAGE 112**

AMB  
 2007 - '17 TWIN CAM 96"/103"/110"  
 1999 - '06 TWIN CAM 88"  
 SPORTSTER, STREET, NIGHTSTER, STREET ROD & BUELL  
 TOOLS & SHOP SUPPLIES  
 WARRANTY & COMPANY POLICY  
 APPENDIX



- Cylinder w/piston kits include fitted pistons and cylinders, head gaskets, base, and exhaust gaskets
- Cylinder kits with pistons are honed to fit the pistons included.



2007-17  
TWIN CAM  
96"/103"/110"

S&S® 4 1/8" BORE CYLINDERS WITH PISTONS SPECIFICATION CHART FOR 124" AND 117" KITS							
Displacement	Stroke	Cylinder Length	Forged Piston Type	Compression Ratio			
				85cc stock heads	89cc S&S heads	91cc S&S heads	SE 95cc heads
124"	4.625	5.004	Flat Top	11.4:1	11.0:1	10.8:1	10.5:1
124" Dish	4.625	5.004	10.9 cc dish	10.6:1	10.2-1	10.2-1	9.7:1
117"	4.375	4.878	Flat Top	10.9:1	10.5:1	10.4:1	10.0:1
117" Dish	4.375	4.878	10.9 cc dish	10.0:1	9.7:1	9.5:1	9.3:1
111"	4.125	4.754	Flat Top	10.3:1	9.9:1	9.8:1	9.4:1

4 1/8" BORE CYLINDERS WITH PISTONS FOR 124" AND 117" KITS						
Displacement	STOCK HEADS OR S&S HEADS WITH STOCK BOLT PATTERN					
	Stone Gray	MSRP	Silver	MSRP	Wrinkle Black	MSRP
124"	910-0469	\$1,519.95	910-0341	\$1,499.95	910-0338	\$1,534.95
124" dish	910-0490	\$1,570.95	910-0327	\$1,499.95	910-0324	\$1,564.95
117"	910-0474	\$1,534.95	910-0213	\$1,499.95	910-0221	\$1,534.95
117" dish	N/A	N/A	910-0321	\$1,499.95	910-0318	\$1,499.95
111"	N/A	N/A	910-0335	\$1,514.95	910-0333	\$1,519.95

NOT LEGAL FOR SALE OR USE IN CALIFORNIA ON ANY POLLUTION CONTROLLED MOTOR VEHICLE. NOT LEGAL FOR SALE OR USE NATIONWIDE ON ANY FEDERAL POLLUTION CONTROLLED MOTOR VEHICLE UNDER THE CLEAN AIR ACT

S&S® BIG BORE KIT SPECIFICATION CHART FOR 106" & 107" KITS								
Displacement	Bore	Stroke	Cylinder Length	Forged Piston Type	Compression Ratio (with provided .045" head gasket)			
					79cc S&S Heads	83cc CNC Ported Stock Heads	85cc Stock Heads	89cc S&S Heads
	3.937"	4 3/8"	4.937"	3cc Dome	N/A	10.7:1	10.5:1	10.1:1
	3.927"	4 3/8"	4.937"	Flat Top	10.6:1	10.2-1	10.0:1	9.7:1

Cylinder w/piston kits include pistons and cylinders that require no boring or honing.

BOLT-IN BIG BORE KITS				
Displacement	Silver	MSRP	Wrinkle Black	MSRP
107"	910-0480	\$1,305.95	910-0500	\$1,305.95
106"	910-0202	\$1,183.95	910-0206	\$1,215.95

NOT LEGAL FOR SALE OR USE IN CALIFORNIA ON ANY POLLUTION CONTROLLED MOTOR VEHICLE. NOT LEGAL FOR SALE OR USE NATIONWIDE ON ANY FEDERAL POLLUTION CONTROLLED MOTOR VEHICLE UNDER THE CLEAN AIR ACT

**ALL OTHER BORES AND FINISHES ARE AVAILABLE THROUGH SPECIAL ORDER** 91-7506\* \$10,099.95  
 \* Special Order: Download the Special Order Form at [sscycle.com/soforms](http://sscycle.com/soforms)

**PISTON REPLACEMENT PARTS: PAGE 112**



- Individual cylinders and cylinder sets without pistons are bored slightly under nominal size and are not honed.



4.425" BORE CYLINDERS WITHOUT PISTONS FOR T143					
Displacement		Stone Gray	MSRP	Wrinkle Black	MSRP
143"	Set	910-0562	\$1,407.95	910-0565	\$1,407.95
NOT LEGAL FOR SALE OR USE IN CALIFORNIA ON ANY POLLUTION CONTROLLED MOTOR VEHICLE. NOT LEGAL FOR SALE OR USE NATIONWIDE ON ANY FEDERAL POLLUTION CONTROLLED MOTOR VEHICLE UNDER THE CLEAN AIR ACT					

4 1/8" BORE CYLINDERS WITHOUT PISTONS FOR 124" AND 117" HOT SET UP KITS (STOCK BOLT PATTERN)							
Displacement		Stone Gray	MSRP	Silver	MSRP	Wrinkle Black	MSRP
124"	Set	910-0494	\$897.95	910-0392	\$999.95	910-0401	\$1,058.95
117"	Set	910-0497	\$897.95	910-0231	\$897.95	910-0252	\$897.95
FOR CLOSED COURSE COMPETITION USE ONLY. NOT INTENDED FOR STREET USE. LEGAL IN CALIFORNIA ONLY FOR RACING VEHICLES WHICH MAY NEVER BE USED, OR REGISTERED OR LICENSED FOR USE, UPON A HIGHWAY. NOT LEGAL FOR SALE OR USE NATIONWIDE ON ANY FEDERAL POLLUTION CONTROLLED MOTOR VEHICLE UNDER THE CLEAN AIR ACT.							

**NOTE:**

S&S 4 1/8" pistons are machined to such close tolerances that it is not necessary to measure the piston. Additionally, the low friction coating on the piston skirt of early production pistons without micrometer window makes taking measurements very difficult. Therefore, hone cylinders to nominal diameter +/- 0.0001" for correct clearance. Current production pistons have micrometer windows in the coating on the piston skirts that allow accurate measurements to be taken. These pistons may be installed by honing cylinder to nominal diameter +/- 0.0001" or by measuring piston and honing cylinder to achieve .002"-.0025" close clearance for street applications or .0032"-.0045" loose clearance for immediate competition use.

3.937" BORE CYLINDER					
Displacement		Silver	MSRP	Wrinkle Black	MSRP
107"	Front or Rear	910-0791	\$499.95	910-0774	\$499.95

3.927" BORE CYLINDERS					
Displacement		Silver	MSRP	Wrinkle Black	MSRP
106"	Front or Rear	910-0779	\$499.95	910-0773	\$499.95

**NOTE:**

S&S 3.927" & 3.937" pistons are machined to such close tolerances that it is not necessary to measure the piston. Additionally, the low friction coating on the piston skirt of early production pistons with out micrometer window makes taking measurements very difficult. Therefore, hone cylinders to nominal diameter +/- 0.0001" for correct clearance. Current production pistons have micrometer windows in the coating on the piston skirts that allow accurate measurements to be taken. These pistons may be installed by honing cylinder to nominal diameter +/- 0.0001" or by measuring piston and honing cylinder to achieve .002"-.0025" close clearance for street applications or .0032"-.0045" loose clearance for immediate competition use.

**ALL OTHER BORES AND FINISHES ARE AVAILABLE THROUGH SPECIAL ORDER**

**91-7506\* \$10,099.95**

\*Special Order: Download the Special Order Form at [sscycle.com/soforms](http://sscycle.com/soforms)

MB

2007-17  
TWIN CAM  
96"/103"/110"

1999-'06  
TWIN CAM  
& 88"

SPORTSTER, STREET,  
NIGHTSTER, STREET ROD  
& BUELL

TOOLS &  
SHOP  
SUPPLIES

WARRANTY &  
COMPANY  
POLICY

APPENDIX



- Piston kits include set of pistons, rings, wristpins, and clips



**4" BORE FORGED PISTON KITS FOR 110**

Displacement	Deck Height	Stroke	Standard	MSRP
110	1.090"	4 $\frac{3}{8}$ "	<b>920-0127</b>	<b>\$503.95</b>

**4.425" BORE FORGED PISTON KITS FOR T143**

Displacement	Deck Height	Stroke	Standard	MSRP	+0.020"	MSRP
T143	1.167"	4 $\frac{5}{8}$ "	<b>920-0106</b>	<b>\$775.95</b>	<b>920-0111</b>	<b>\$775.95</b>

**4 $\frac{1}{8}$ " BORE FORGED PISTON KITS FOR HOT SET UP KITS®**

Displacement	Deck Height	Stroke	Standard	MSRP	+0.010"	MSRP	+0.020"	MSRP	+0.030"	MSRP
124" & 117" 10cc Dished	1.050"	Up To 4 $\frac{5}{8}$ "	<b>920-0046</b>	<b>\$601.95</b>	<b>920-0047</b>	<b>\$611.95</b>	<b>920-0050</b>	<b>\$611.95</b>	<b>920-0053</b>	<b>\$607.95</b>
124", 117" & 111" Flat Top	1.050"	Up To 4 $\frac{5}{8}$ "	<b>106-3491A</b>	<b>\$607.95</b>	<b>106-3872A</b>	<b>\$607.95</b>	<b>106-3964A</b>	<b>\$601.95</b>	<b>920-0094</b>	<b>\$607.95</b>

**10.6:1 HIGH COMPRESSION PISTONS FOR HARLEY-DAVIDSON® CVO™ 110 ENGINES**

Fitment	Deck Height	Wristpin Diameter	Standard	MSRP	+0.010"	MSRP
2007-'17 bt CVO™ 110" engines	1.0895"	.927"	<b>920-0114</b>	<b>\$587.95</b>	<b>920-0115</b>	<b>\$587.95</b>

*Will not work with Twin-Cooled™ heads*



**3.937" BORE FORGED PISTON KIT**

Displacement	Deck Height	Stroke	Standard	MSRP
107", 3cc dome	1.085"	4 $\frac{3}{8}$ "	<b>920-0100</b>	<b>\$499.95</b>

**3.927" BORE FORGED PISTON KITS FOR 106" TOP END KITS**

Displacement	Deck Height	Stroke	Standard	MSRP	+0.010"	MSRP
106" Flat top	1.090"	4 $\frac{3}{8}$ "	<b>106-3690</b>	<b>\$499.95</b>	<b>106-4416</b>	<b>\$499.95</b>

**3 $\frac{3}{8}$ " BORE FORGED PISTON KITS FOR 103" ENGINES**

Displacement	Deck Height	Stroke	Standard	MSRP	+0.005"	MSRP	+0.010"	MSRP
103" Forged, 5.2cc pop-up dome	1.083"	4 $\frac{3}{8}$ "	<b>106-0432</b>	<b>\$467.95</b>	<b>106-0433</b>	<b>\$467.95</b>	<b>106-0434</b>	<b>\$467.95</b>

**NOTE:**

S&S' 4 $\frac{1}{8}$ ", 3.937", 3.927", and 3 $\frac{3}{8}$ " pistons are machined to such close tolerances that it is not necessary to measure the piston. Additionally, the low friction coating on the piston skirt of early production pistons with out micrometer window makes taking measurements very difficult. Therefore, hone cylinders to nominal diameter +/- 0.0001" for correct clearance. Current production pistons have micrometer windows in the coating on the piston skirts that allow accurate measurements to be taken. These pistons may be installed by honing cylinder to nominal diameter +/- 0.0001" or by measuring piston and honing cylinder to achieve .002"-.0025" close clearance for street applications or .0032"-.0045" loose clearance for immediate competition use.

2007-'17  
TWIN CAM  
96"/103"/110"





REPLACEMENT CHROMOLY FACED PISTON RINGS										
Bore	Standard	MSRP	+.005"		+.010"		+.020"		+.030"	
4.425"	<b>940-0043</b>	\$199.95					<b>940-0044</b>			
4 1/8"	<b>940-0014</b>	\$82.95			<b>940-0012</b>		<b>940-0013</b>		<b>940-0017</b>	
3 7/8"	<b>94-1290X</b>	\$61.95	<b>94-1294X</b>		<b>94-1291X</b>					
3.927"	<b>106-3709A</b>	\$71.95			<b>106-4422A</b>					
3.937"	<b>940-0032*</b>	\$83.95								
4"	<b>940-0056*</b>	\$112.95								
4" CVO 110"	<b>940-0040</b>	\$102.95			<b>940-0041</b>					

*\*Only includes one set of rings.*

REPLACEMENT MOLY-FACED PISTON RING SET			
Description		Part #	MSRP
Ring Set for 1984-Up for Big Twins	For 4.125" Pistons	<b>94-1400X</b>	<b>\$61.95</b>

REPLACEMENT PISTON WRISTPINS			
Description		Part #	MSRP
Wristpin	For 4.425" Pistons	<b>940-0037</b>	<b>\$27.95</b>
	For 4 1/8", 4", 3 7/8", 3.927" Pistons	<b>106-1052</b>	<b>\$32.95</b>
	For 4" CVO	<b>940-0037</b>	<b>\$27.95</b>

REPLACEMENT PISTON KEEPERS			
Description		Part #	MSRP
Wristpin Keeper	each	<b>94-9278-S</b>	<b>\$7.95</b>
	2 pack	<b>94-9278-2</b>	<b>\$10.95</b>
	4 pack	<b>106-2304</b>	<b>\$10.95</b>
Wristpin Keeper for 4.425"	each	<b>94-9278-S</b>	<b>\$7.95</b>
Wristpin Keeper	each	<b>940-0063</b>	<b>\$11.95</b>



94-1400X



920-0100

MB

2007-17  
TWIN CAM  
96"/103"/110"

1999-'06  
TWIN CAM  
88"

SPORTSTER, STREET,  
NIGHTSTER, STREET ROD  
& BUELL

TOOLS &  
SHOP  
SUPPLIES

WARRANTY &  
COMPANY  
POLICY

APPENDIX



Bump 2007–'17 engines from 96ci or 103ci to 110ci with the new S&S 4" big bore kit. The kit also includes matched cams, cam plate, oil pump and everything else a high performance big inch engine needs to reliably make serious power.

**FITMENT**

- All 2007–'17 big twin models  
(except 2014–'16 Twin-Cooled™ & 2017 touring models)

**FEATURES AND BENEFITS**

- Largest big bore kit available without doing crankcase mods
- Upgrade Twin Cam 96° and Twin Cam 103™ to 110 cu inches
- Cylinders fit to pistons—No machining required
- All parts required to upgrade to gear drive cam or hydraulic tensioners
- Engineered package to deliver the best bolt-in performance available



2007-'17  
TWIN CAM  
96°/103°/110°

POWER PACKAGE KIT					
Fitment	Finish	Cam	Drive	Part #	MSRP
2007–'17 (except 2014–2016 Twin-Cooled™ & 2017 touring)	Silver	585CE	Chain	<b>330-0666</b>	<b>\$3,345.95</b>
2007–'17 (except 2014–2016 Twin-Cooled™ & 2017 touring)	Silver	585GE	Gear	<b>330-0667</b>	<b>\$3,467.95</b>
2007–'17 (except 2014–2016 Twin-Cooled™ & 2017 touring)	Black	585CE	Chain	<b>330-0668</b>	<b>\$3,345.95</b>
2007–'17 (except 2014–2016 Twin-Cooled™ & 2017 touring)	Black	585GE	Gear	<b>330-0669</b>	<b>\$3,467.95</b>

NOT LEGAL FOR SALE OR USE IN CALIFORNIA ON ANY POLLUTION CONTROLLED MOTOR VEHICLE. NOT LEGAL FOR SALE OR USE NATIONWIDE ON ANY FEDERAL POLLUTION CONTROLLED MOTOR VEHICLE UNDER THE CLEAN AIR ACT

**NOTE:**

- Pinion shaft runout must be less than .003" to use gear drive cams
- Kit not available to fit '06 Dyna® models but parts may be purchased separately.
- Not for use with S&S 79cc Cylinder Heads.
- Not for use with trike models.

S&S Easy Start Cams



**S&S EASY START CAMS**

Start any engine regardless of displacement or compression ratio, with a stock starter. Easy Start Cams from S&S® Cycle make hard starting obsolete for 1999-'16 big twins. Available in economical chain drive and rock-solid gear drive versions. Don't get caught "dead" without them!

**FEATURES AND BENEFITS**

- Start any engine with a stock starter
- Save your starter and battery!
- Reliable—tested for 100,000 accumulative starts and over 150,000 road miles without breakage or compression release failure!
- Automatic—no buttons to push

**OPTIONS**

- Chain drive or gear drive (See the following pages for part numbers)

**HERE'S HOW IT WORKS**

Each of the two exhaust cam lobes are equipped with a spring loaded compression release lobe on the "heel" of the cam at the point where the valve would normally be fully closed. The lobe holds the exhaust valve open slightly at cranking speed. This releases some of the compression, making the engine much easier to crank. Once the engine starts, and rpm increases, the compression release lobe is centrifugally retracted and the engine runs normally, with full compression, and without any loss in performance. This allows a stock starter and battery to start nearly any engine.



**OES:** Original Equipment Specification (OES) A bolt-in replacement cam with stock cam timing is designed for riders with stock engines. Does not require tuning. Bolt-in stock. Equivalent to HD® A-Grind

**510:** Designed as a bolt-in cam for 88, 95, and 96 CID engines with compression ratios below 9.7:1, it is primarily intended for use with stock, un-ported heads. 3000–5500 rpm. Bolt-in.

**551:** Designed for engines with 96 to 106 CID and 9:1 to 9:9 compression, this is a bolt-in cam set designed for stock or mildly modified touring bikes. 551 cams are not recommended for compression ratios of 10:1 or greater. Greatly improves low-end and midrange torque, strongest from idle–4000rpm. Bolt-in torque.

**557:** Designed for Tri Glide® models, this bolt-in cam, with its short duration, produces lots of usable torque. The camshaft's stock base circle permits the use of stock pushrods. However, we recommend S&S Quickie Adjustable pushrods for easy installation. Fits all 2009–2012 Harley-Davidson® Tri Glide® models. Bolt-in.

**MR103:** Designed as bolt-in cams for 103 CID engines with stock 9.7:1 compression ratio up to 10.5:1. Works well with stock, un-ported heads, but is great for S&S CNC ported heads. More power across the rpm range best results form 2500–5500 rpm. Bolt-in.

**570:** Designed for 88 to 103 CID engines with compression ratios between 9:1 and 10:1, this bolt-in cam will provide a nice power increase across the entire power band. 3200–5700 rpm. Excellent bolt-in for overall power on 103". Bolt-in overall.

**583:** Optimized for use in the Softail®/Dyna® lines, this bolt-in cam makes horsepower and torque that you can feel all the way through the rpm range, making the most power right where you need it: 1500–5000rpm. Bolt-in. 583 cams are not recommended for engines having compression ratios greater than 10.1:1.

**HP103:** Designed as bolt in cams for engines with 103 and stock 9.7:1 compression up to 10.5:1. Works well with stock, un-ported heads, but is great for S&S CNC ported heads. Best power in the higher rpm range, 3000–6000 rpm. Bolt-in.

**585:** Designed for 88 to 106 CID engines with compression ratios from 9.7:1 to 10.5:1 and 106 to 124 CID engines from 9:1 to 10:1 compression. This bolt-in cam provides massive horsepower and torque increases starting at 3000rpm and holds steady all the way to redline. 3500–6000 rpm for 88"–103" engines and 2500–5500 for larger engines.

**625:** Cam set designed for 95" or larger engines with compression ratios between 10.0 and 10.75:1. 3000–6000 rpm. High lift valve springs and adjustable pushrods required.

**635 H.O.:** High lift cam for modified engines with 106" or greater displacement and compression ratios between 10.0:1 and 11.0:1. Works well with stock, un-ported heads, but S&S CNC ported heads are recommended. Best power from 3000–6000 rpm. This is not a bolt-in cam set. High-lift valve springs, adjustable pushrods, and clearance checks are required.

**640:** Used in S&S T124 engines, this cam makes horsepower! Intended for engines of 95 CID or more w/compression ratios between 10.5:1 and 11.5:1. 3000–6000 rpm. High lift valve springs and adjustable pushrods required.

**675:** A high lift monster, this cam set is designed for 120" or larger engines with at least 11:1 compression ratio. 4500–6500 rpm. High lift valve springs and adjustable pushrods required.

SPECIFICATIONS OF S&S® CHAIN DRIVE AND GEAR DRIVE CAMSHAFTS FOR 2007–17 BIG TWIN (EXCEPT 2017 TOURING MODELS)													
Cam Name	Bolt-In	Valve Timing (open/close)		Valve Duration		Valve Lift	Centerline		Lift @ TDC		APPLICATION CROSS REF. CHART		
		Intake	Exhaust	Intake	Exhaust		Intake	Exhaust	Intake	Exhaust	HD® Screamin' Eagle®	Andrews®	Most Fitting Application
		Open BTDC/ Close ABDC	Open BBDC/ Close ATDC										
OES	●	-9°/25°	42°/-3°	196°	219°	.474"	107°	112.5°	.087"	.110"			
510	●	20°/38°	52°/20°	238°	252°	.510"	99°	106°	.187"	.178"			
551**	●	17°/19°	41°/17°	216°	238°	.550"	91°	102°	.178"	.170"	SE-203/255	21H/26H	Touring
557	●	6°/27°	39°/12°	212°	231°	.557"	100°	103°	.113"	.146"			Trike
MR103	●	13°/33°	50°/22°	226°	252°	.585"	100°	104°	.172"	.177"			
570	●	20°/40°	55°/20°	240°	255°	.570"	100°	107.5°	.187"	.179"	–	54H	All big twin
583	●	5°/18°	58°/24°	203°	262°	.583"	96.5°	107°	.113"	.206"	SE-203/255	21H/26H	Softail®/ Dyna®
HP103	●	20°/49°	45°/26°	249°	251°	.575"	104.5°	99.5°	.199"	.206"			
585	●	20°/45°	60°/20°	245°	260°	.585"	102.5°	110°	.186"	.179"	SE-21 1/251/257	31H/32H/50H 55H/67H	All big twin
625		20°/55°	60°/20°	255°	260°	.625"	107.5°	110°	.189"	.184"	SE-258/260	60H	All big twin
635H.O.		19.5°/43.5°	58.5°/37.5°	243°	276°	.635"	102°	100.5°	.186"	.284"			
640		25°/60°	65°/25°	265°	270°	.640"	107.5°	110°	.228"	.214"	SE-264	59H	All big twin
675		25°/64°	70°/25°	269°	275°	.675"	109.5°	112.5°	.235"	.205"	–	64H	All big twin

\*\*551 cams are not recommended with compression ratio of 10:1 or higher.

All reference to HD® part numbers is for identification purposes only. We in no way are implying that any of S&S Cycle's products are original equipment parts or that they are equivalent to the corresponding HD® part number shown.

MB

2007–17  
TWIN CAM  
96"/103"/110"

1999–'06  
TWIN CAM  
88"

SPORTSTER, STREET,  
NIGHTSTER, STREET ROD  
& BUJEL

TOOLS &  
SHOP  
SUPPLIES

WARRANTY &  
COMPANY  
POLICY

APPENDIX



**FITMENT**

- 2006 Dyna® and 2007–'17 big twins, *except 2017 touring models*

**FEATURES AND BENEFITS**

- Improves valve timing accuracy by eliminating timing chain lash
- Easy Start cams allow stock starter to start any engine
- No tensioner shoes to wear out or fail

**OPTIONS**

Which S&S Gear Drive Cam Kit to Order?

- If updating a stock chain drive system, it's easiest to order a complete kit. Includes:
  - Camshafts with inner gears
  - Outer cam drive gear kit
  - Camshaft installation kit
- If replacing cams in an engine already equipped with S&S gear drive cams, order cams with inner gears and reuse the existing outer gears. Camshaft installation kit for the appropriate model year is recommended.
- If installing a set of gear drive cams from another manufacturer, order S&S cam gear kits for the appropriate model year. Each kit provides the inner & outer cam gears. Camshaft installation kit for the appropriate model year is recommended.



2007-'17 TWIN CAM 96"/103"/110"

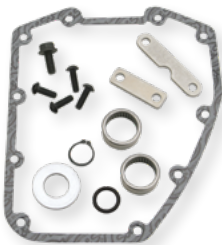
**GEAR DRIVE CAMS FOR 2007–'17 BIG TWIN MODELS (EXCEPT 2017 TOURING MODELS)**

Cam Name	Easy Start Cams <i>includes inner &amp; outer gears &amp; installation kit</i>	MSRP	Standard cams <i>includes inner &amp; outer gears &amp; installation kit</i>	MSRP
510	–		<b>33-5266</b>	<b>\$948.95</b>
551	<b>106-5737</b>	<b>\$1,070.95</b>	<b>106-4868</b>	<b>\$948.95</b>
557*	<b>330-0057</b>	<b>\$1,070.95</b>	<b>330-0109</b>	<b>\$907.95</b>
570	<b>106-5221</b>	<b>\$1,070.95</b>	<b>33-5267</b>	<b>\$948.95</b>
583**	<b>106-5811</b>	<b>\$1,070.95</b>	<b>330-0111</b>	<b>\$948.95</b>
585	<b>106-5225</b>	<b>\$1,070.95</b>	<b>33-5268</b>	<b>\$948.95</b>
625	<b>106-5229</b>	<b>\$1,070.95</b>	<b>33-5269</b>	<b>\$948.95</b>
640	<b>106-4850</b>	<b>\$1,070.95</b>	<b>33-5270</b>	<b>\$948.95</b>
MR103	<b>330-0303</b>	<b>\$1,070.95</b>	–	
635 H.O.	<b>330-0339</b>	<b>\$1,070.95</b>	<b>330-0335</b>	<b>\$907.95</b>

2006 Dyna® uses 2007-up style cams.

\*For Harley-Davidson® Tri Glide® models.

NOT LEGAL FOR SALE OR USE IN CALIFORNIA ON ANY POLLUTION CONTROLLED MOTOR VEHICLE. NOT LEGAL FOR SALE OR USE NATIONWIDE ON ANY FEDERAL POLLUTION CONTROLLED MOTOR VEHICLE UNDER THE CLEAN AIR ACT



**INSTALLATION KIT FOR S&S GEAR DRIVE CAM\***

Models	Part #
2006 Dyna® and 2007–'17 big twins, <i>except 2017 touring models</i>	<b>106-6068</b>
<i>Includes a gearcover gasket, bearings, oil passage block-off kit, retaining ring, o-ring, and instructions. *This kit is included with all Complete Gear Drive Cam Kits.</i>	



**OIL PASSAGE BLOCK-OFF KIT**

Use this kit to block oil passages in cam plate when hydraulic cam chain tensioners are removed to install gear drive cams. Fits any cam plate designed for hydraulic tensioners. This oil passage block-off kit is included in the cam installation kit, part #106-6068, and our TC3 Cam Plates.

**NOTE:**

**"This cam kit is not for touring models and does not work with compression over 9.9 to 1.**

Fuel injection tuning required.

Pinion shaft run-out must be checked before installing S&S® gear drive cams.

A hydraulic press and other professional tools are required to install S&S gear drive cams. Additionally, material must be removed from the inner surface of the stock gearcover. The stock crankcase may require clearancing for S&S .625", .640", and .675" lift cams. S&S recommends that gear drive cams be installed by a professional mechanic.

Due to the inherent characteristics of gear drives, you may experience more valve train noise with gear driven cams. Oversized and undersized gears are available to help achieve correct gear lash. We have found that with 160 lb. of valve seat force, the S&S gear drive cams will perform well up to 6200 rpm. If higher rpm is anticipated, valve springs that provide higher seat force should be used.

S&S can do a special order cam. Contact your S&S Customer Service Representative for more information.



**FITMENT**

- 2006 Dyna® and 2007–2017 big twins, *except 2017 touring models*

**FEATURES AND BENEFITS**

- Great way to increase performance at an affordable price
- Quick installation—reuse many stock components
- Easy Start cams allow stock starter to start any engine



**KIT CONTENTS**

- Cams
- Installation Kit: gearcover gasket, bearings, retaining ring, o-ring, thread lock
- Instructions

**CHAIN DRIVE CAM KITS FOR 2007–'17 BIG TWIN MODELS (EXCEPT 2017 TOURING MODELS)**

Cam Name	EASY START CAMS		STANDARD CAMS	
	INCLUDES INNER & OUTER GEARS & INSTALLATION KIT	MSRP	INCLUDES INNER & OUTER GEARS & INSTALLATION KIT	MSRP
OES	–		<b>330-0293</b>	<b>\$418.95</b>
510	–		<b>106-4380</b>	<b>\$418.95</b>
551	<b>106-4947</b>	<b>\$540.95</b>	<b>106-4858</b>	<b>\$429.95</b>
557*	<b>330-0053</b>	<b>\$540.95</b>	<b>330-0105</b>	<b>\$418.95</b>
570	<b>106-5234</b>	<b>\$540.95</b>	<b>106-4381</b>	<b>\$429.95</b>
583††	<b>106-5807</b>	<b>\$540.95</b>	<b>330-0106</b>	<b>\$418.95</b>
585	<b>106-5233</b>	<b>\$539.95</b>	<b>106-4382</b>	<b>\$429.95</b>
625	<b>106-5239</b>	<b>\$540.95</b>	<b>106-4383</b>	<b>\$418.95</b>
640	<b>106-5235</b>	<b>\$540.95</b>	<b>106-4399</b>	<b>\$414.95</b>
MR103	<b>330-0299</b>	<b>\$540.95</b>	<b>330-0470</b>	<b>\$429.95</b>
635 H.O.	<b>330-0331</b>	<b>\$540.95</b>	<b>330-0328</b>	<b>\$418.95</b>

*Note: 2006 Dyna® uses 2007-up style cams.*

*\*For Harley-Davidson® Tri Glide® models.*

NOT LEGAL FOR SALE OR USE IN CALIFORNIA ON ANY POLLUTION CONTROLLED MOTOR VEHICLE. NOT LEGAL FOR SALE OR USE NATION-WIDE ON ANY FEDERAL POLLUTION CONTROLLED MOTOR VEHICLE UNDER THE CLEAN AIR ACT



**NOTE:**

††This cam kit is not for touring models & does not work with compression over 9.9 to 1.

Fuel injection tuning required.

551, 557, & 583 cams are not recommended with compression ratio of 10:1 or higher.

OES & 510 cam recommended over 9.7:1

S&S can do a special order cam. Contact your S&S Customer Service Representative for more information.

**Cam Related Repair Parts**

**REPLACEMENT GEARS\* FOR 2006 DYNA® AND 2007–'17 MODELS (EXCEPT 2017 TOURING MODELS)**

Description	Part #	MSRP
Outer cam drive gear only	<b>330-0621</b>	<b>\$252.95</b>
Front inner cam gear	<b>330-0593</b>	<b>\$152.95</b>
Rear inner cam gear	Standard	<b>330-0593</b> <b>\$152.95</b>
	Undersized	<b>330-0594</b> <b>\$193.95</b>
	Oversized	<b>330-0595</b> <b>\$163.95</b>
Pinion Gears	Standard	<b>330-0622</b> <b>\$131.95</b>
	Undersized	<b>330-0626</b> <b>\$132.95</b>
	Oversized	<b>330-0627</b> <b>\$132.95</b>

\*Due to machining variations in the stock cam plate, oversized or undersized gears may be needed to achieve correct gear lash.

**REPLACEMENT HARDWARE FOR OUTER CAM GEAR DRIVE**

Description	Part #	MSRP
Hardware Kit for 2006 Dyna® and all 2007–'17 models <i>except 2017 touring models</i>	<b>33-4271P</b>	<b>\$15.95</b>
Replacement Key for 2006 Dyna® and all 2007–'17 models, <i>except 2017 touring models</i>	<b>106-1348</b>	<b>\$9.95</b>

**REPLACEMENT INSTALLATION KIT FOR S&S CHAIN DRIVE CAM\***

Models	Part #	MSRP
2006 Dyna® & 2007–'17, <i>except 2017 touring models</i>	<b>106-5929</b>	<b>\$51.95</b>

*Includes a gearcover gasket, cam bearings, retaining ring, o-ring, and instructions. \*This kit is included with all S&S Chain Drive Cam Kits.*

**CAM GEAR DRIVE KIT**

Fitment	Part #	MSRP
2006 Dyna® and all 2007–'17 models <i>except 2017 touring models</i>	<b>33-4285</b>	<b>\$634.95</b>

*Includes front and rear inner cam gears, pinion gear, and outer cam gear*

**CAM NEEDLE BEARINGS ASSEMBLIES**

Description	Part #	MSRP
Inner Cam Bearing	each	<b>31-4199-S 9215</b> <b>\$21.95</b>
	2 pack	<b>31-4499 9215</b> <b>\$50.95</b>

**OUTER CAM GEAR DRIVE KIT**

Fitment	Part #	MSRP
2006 Dyna® and all 2007–'17 models <i>except 2017 touring models</i>	<b>33-4268</b>	<b>\$356.95</b>

*Includes 2 outer gears and hardware*

All reference to HD® part numbers is for identification purposes only. We in no way are implying that any of S&S Cycle's products are original equipment parts or that they are equivalent to the corresponding HD® part number shown.

MB

2007–'17 TWIN CAM 96"/103"/110"

1999–'06 TWIN CAM 88"

SPORTSTER, STREET, NIGHTSTER, STREET ROD & BUELL

TOOLS & SHOP SUPPLIES

WARRANTY & COMPANY POLICY

APPENDIX



## Gear Or Chain Drive

### FITMENT

- 2007–'17 Harley-Davidson® big twins (except 2017 touring) & 2006 Dyna® models

### FEATURES

- Upgrade to S&S bolt-in performance chain drive or gear drive camshafts
- Improved engine performance—higher lift and optimized cam timing
- S&S Quickee pushrods—easy installation, without removing rocker covers
- Replace stock oil pump, cam support plate, cams, chain tensioners, and tappets with all new premium U.S. made S&S components
- Better, more consistent oil pressure

### NOTE:

**\*This cam kit is not for touring models and does not work with compression over 9.9 to 1.**

551 & 583 cams are not recommended with compression ratio of 10:1 or higher.



2007-'17  
TWIN CAM  
96"/103"/110"

CHAIN DRIVE CAM CHEST UPGRADE KIT FOR 2007–'17 BIG TWIN (EXCEPT 2017 TOURING) & DYNA® MODELS			
Fitment	Cam	Part #	
2007–up bt and 2006 Dyna models	551CE Easy Start	<b>330-0544</b>	<b>\$2,172.95</b>
	585CE Easy Start	<b>330-0546</b>	<b>\$2,529.95</b>
	585C Standard	<b>330-0553</b>	<b>\$2,060.95</b>

NOT LEGAL FOR SALE OR USE IN CALIFORNIA ON ANY POLLUTION CONTROLLED MOTOR VEHICLE. NOT LEGAL FOR SALE OR USE NATIONWIDE ON ANY FEDERAL POLLUTION CONTROLLED MOTOR VEHICLE UNDER THE CLEAN AIR ACT

GEAR DRIVE CAM CHEST UPGRADE KIT FOR 2007–'17 BIG TWIN (EXCEPT 2017 TOURING) & DYNA® MODELS			
Fitment	Cam	Part #	
2007–up bt and 2006 Dyna Models	510G Standard	<b>310-0814</b>	<b>\$2,233.95</b>
	551GE Easy Start	<b>310-0815</b>	<b>\$2,356.95</b>
	585GE Easy Start	<b>310-0816</b>	<b>\$2,624.95</b>

NOT LEGAL FOR SALE OR USE IN CALIFORNIA ON ANY POLLUTION CONTROLLED MOTOR VEHICLE. NOT LEGAL FOR SALE OR USE NATIONWIDE ON ANY FEDERAL POLLUTION CONTROLLED MOTOR VEHICLE UNDER THE CLEAN AIR ACT

## Hydraulic Cam Chain Tensioner Kit

### FITMENT

- 2007–'17 except 2017 touring & 2006 Dyna® models
- 1999–'06 models with hydraulic cam plate upgrade

### FEATURES

- Thicker shoe for longer wear
- Direct chain oiling
- Larger piston
- Tighter tolerance for improved stability
- Made in USA



HYDRAULIC CAM CHAIN TENSIONER KIT		
Fitment	Part #	
2007–'17 except 2017 touring models	<b>330-0518</b>	<b>\$174.95</b>

REPLACEMENT PARTS		
Description	Part #	
Tensioner, Asm, Inner, Body, Cam Chain	<b>330-0519</b>	<b>\$90.95</b>
Tensioner, Assembly, Outer, Body, Cam Chain	<b>330-0520</b>	<b>\$90.95</b>
Tensioner Shoe, Chain, Camshaft	<b>330-0521</b>	<b>\$40.95</b>



High performance tappets are a cornerstone of the S&S line up and we are always looking to improve our products. After months of research and countless hours of testing we are excited to reveal the latest in performance tappets. The S&S Cycle Precision Tappets replace both our standard as well as premium tappets. Each Precision Tappet is hand assembled to exacting tolerances and designed for quiet operation and rapid pump up and all are made in the USA.

**FITMENT**

- 1999–2017 big twins
- S&S T-Series engines

**FEATURES**

- Reduced valve train noise from start up to shut down
- Close tolerances for low leak down rates
- Fast pump up and superior high rpm performance



**PRECISION TAPPETS**

Set of 4 tappets	<b>330-0718</b>	<b>\$279.95</b>
------------------	-----------------	-----------------

**Tappet Covers**

**FITMENT**

- 1999–'17 big twins, except 2017 touring models
- S&S crankcases

**FEATURES AND BENEFITS**

- CNC billet aluminum provides extra strength and dimensional stability over a wide temperature range
- Simple to install upgrade that looks great

**KIT CONTENTS**

- Covers
- Gaskets
- Installation hardware



**TAPPET COVER KITS**

Finish	Part #	MSRP
Gloss Black	<b>330-0588</b>	<b>\$254.95</b>
Polished	<b>33-5601</b>	\$254.95
Chrome	<b>106-3883</b> ±	\$265.95
Gloss Black 4 3/8" style	<b>330-0589</b>	<b>\$254.95</b>

± **WARNING:** Cancer and Reproductive Harm – [www.P65Warnings.ca.gov](http://www.P65Warnings.ca.gov)

**REPLACEMENT PARTS FOR TAPPET COVERS**

Descriptions	Part #	MSRP
Gasket	each <b>33-5303-S</b> 18635-99B	<b>\$8.95</b>
	2 pack <b>33-5303-2</b> 18635-99B	<b>\$11.95</b>
Tappet Cover Gasket 4 3/8" style	each <b>330-0282</b>	<b>\$10.95</b>
Screw w/flat washer, Zinc	each <b>50-0092-S</b> 4741A	<b>\$7.95</b>
	4 pack <b>50-0092P</b> 4741A	<b>\$10.95</b>
Screw, Chrome	each <b>50-0482</b> ±	<b>\$8.95</b>
Washer, Flat, Chrome	each <b>50-7017</b> ±	

± **WARNING:** Cancer and Reproductive Harm – [www.P65Warnings.ca.gov](http://www.P65Warnings.ca.gov)

All reference to HD® part numbers is for identification purposes only. We in no way are implying that any of S&S Cycle's products are original equipment parts or that they are equivalent to the corresponding HD® part number shown.

MB

2007-17 TWIN CAM 96"/103"/110"

1999-'06 TWIN CAM & BB

SPORTSTER, STREET, NIGHTSTER, STREET ROD & BUELL

TOOLS & SHOP SUPPLIES

WARRANTY & COMPANY POLICY

APPENDIX



**FITMENT**

- 1999–'17 big twins, *except 2017 touring models*



**FEATURES AND BENEFITS**

- No need to remove rocker arms to install
- Speeds up installation of cams and rocker arms
- Makes upper-engine work easy!
- Can be installed with stock pushrod tubes

**TIME-SAVER ADJUSTABLE PUSHRODS**

Description	Part #	MSRP
Pushrod Set	<b>930-0053</b>	<b>\$214.95</b>

**Quickee Adjustable Pushrods**

All S&S Quickee Pushrods are covered by US Patent No. 7644694

**FITMENT**

- 1999–'17 big twins (*except 2017 touring models*) w/stock engine height +/- .050"

**FEATURES AND BENEFITS**

- Adjustable to accommodate all tappets and cam base circle diameters and engine heights
- Easy to install—removal of rocker arms not needed
- No threads on wrench flats
- Also available in gloss black

**KIT CONTENTS**

- Pushrods, gloss black or chrome pushrod covers, o-rings, and cover keepers



When a Quickee adjustable pushrod is collapsed, it can easily be installed or removed from an assembled engine.

**QUICKEE ADJUSTABLE PUSHRODS**

Description	Part #	MSRP
<b>Gloss Black Pushrod Kit</b> <i>(includes black pushrod covers, o-rings &amp; cover keepers)</i>	<b>930-0143</b>	<b>\$336.95</b>
<b>Chrome Pushrod Kit</b> <i>(includes chrome pushrod covers, o-rings &amp; cover keepers)</i>	<b>106-6051</b>	<b>\$309.95</b>
<b>Pushrods Only*</b>	<b>93-5122</b>	<b>\$209.95</b>

*Longer keepers are required for taller than stock engines. page 121 of this catalog for pushrod cover keepers.*

*\*1984-'99 style pushrod covers are required for access to the Quickee Adjustable Pushrod adjusters in 2007–'12 big twins. page 121 for pushrod covers.*

**⚠️ WARNING:** Cancer and Reproductive Harm – [www.P65Warnings.ca.gov](http://www.P65Warnings.ca.gov)



**930-0143**

**Standard Adjustable Pushrods**

**FITMENT**

- 1999–'17 big twins, *except 2017 touring models*
- Lengths available for various displacements

**FEATURES AND BENEFITS**

- Adjustable to accommodate all tappets & cam base circle diameters

**KIT CONTENTS**

- Pushrods, chrome pushrod covers, tappet cover gaskets, o-rings, cover keepers



**93-5095**

**STANDARD ADJUSTABLE PUSHRODS FOR HARLEY-DAVIDSON® TWIN CAM 96™/103™**

Displacement	Engine Height	Cylinder Length	Pushrod Kit	MSRP	Pushrods Only	MSRP	Pushrod Covers	MSRP	Cover Keepers	MSRP
96", 103", 106"	Stock	4.937"	<b>93-5095</b>	<b>\$249.95</b>	<b>93-5096</b>	<b>\$154.95</b>	<b>106-1340</b>	<b>\$193.95</b>	<b>93-4100</b>	<b>\$40.95</b>
124"	+ .096"	5.013"	–	–	<b>93-5098</b>	<b>\$164.95</b>	<b>106-1340</b>	<b>\$193.95</b>	<b>93-4115</b>	<b>\$40.95</b>
143"	+ .2875"	5.057"	–	–	<b>930-0103</b>	<b>\$173.95</b>	<b>106-1340</b>	<b>\$193.95</b>	<b>93-4102</b>	<b>\$40.95</b>

*\*Custom, extra long stainless steel 4.250", customer to cut to required length*

**⚠️ WARNING:** Cancer and Reproductive Harm – [www.P65Warnings.ca.gov](http://www.P65Warnings.ca.gov)

2007-'17  
TWIN CAM  
96"/103"/110"





**FITMENT**

- 2007-'17 Harley-Davidson® Twin Cam 96™ and 103™ big twin engines, except 2017 touring models
- S&S T111 Engines



**FEATURES AND BENEFITS**

- Replaces stock pushrods perfectly
- 7/16" high strength chromoly steel tubing for increased strength
- Pushrods are marked with stock color code and valve position for easy installation

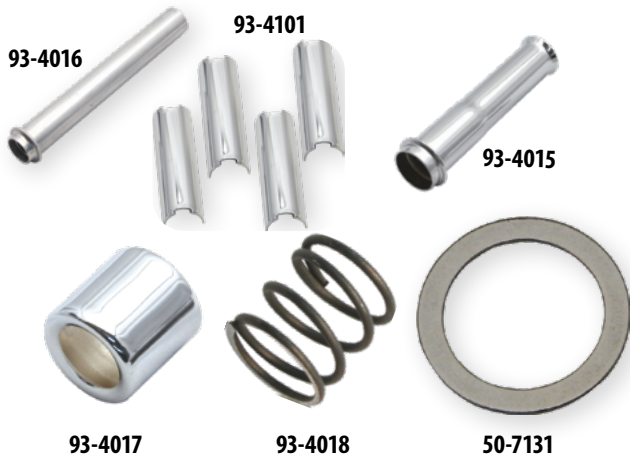
NON-ADJUSTABLE PUSHRODS	
Description	Part #
Pushrods Only (stock replacement)	<b>930-0046</b>
Replacement Pushrods for S&S T111	<b>930-0144</b>

**Pushrod Covers & Related Parts**

PUSHROD REPLACEMENT PARTS			
Description		Part #	MSRP
Pushrod Cover Kit (includes top & bottom covers, cover cap, cover spring, spring washer, & o-rings for four pushrods)	Chrome	<b>106-1340</b>	<b>\$193.95</b>
	Gloss Black	<b>930-0124</b>	<b>\$203.95</b>
Top Cover		<b>93-4016</b> <small>17935-66T, 17935-79B</small>	<b>\$19.95</b>
Bottom Cover		<b>93-4015</b> <small>17938-83</small>	<b>\$21.95</b>
Cover Cap		<b>93-4017</b> <small>17945-36B</small>	<b>\$14.95</b>
Cover Spring		<b>93-4018</b> <small>17947-36</small>	<b>\$7.95</b>
Cover Cap Washer		<b>50-7131</b> <small>6762B</small>	<b>\$6.95</b>
Pushrod O-ring Kit (includes top, middle, & bottom o-rings for four pushrods)		<b>93-4022</b> <small>11293, 11157, 11101, 11190</small>	<b>\$12.95</b>
Top O-ring		<b>50-8039</b>	<b>\$6.95</b>
Middle O-ring		<b>50-8038</b> <small>11132A</small>	<b>\$6.95</b>
Bottom O-ring		<b>50-8037</b> <small>11145A</small>	<b>\$6.95</b>

PUSHROD COVER KEEPER SETS FOR 2007-'17 BIG TWINS				
Length / Finish	S&S Tubes	Part #	MSRP	
2.390" / Gloss Black		<b>930-0127</b>	<b>\$40.95</b>	
2.400" / Chrome	All stock height TC 96/103 with stock HD® pushrod tubes	<b>93-4070±</b> <small>17950-48</small>	<b>\$41.95</b>	
2.500"	Chrome	96", 100", 117", 103", 106" HSU with S&S® pushrod tubes	<b>93-4100±</b>	<b>\$40.95</b>
	Gloss Black		<b>930-0142</b>	<b>\$40.95</b>
2.600"	Chrome	124"	<b>93-4101±</b>	<b>\$41.95</b>
	Gloss Black		<b>930-0128</b>	<b>\$40.95</b>
2.800" / Chrome		<b>93-4115±</b> <small>17950-86</small>	<b>\$40.95</b>	
2.900"	Chrome	143"	<b>93-4102±</b>	<b>\$40.95</b>
	Gloss Black		<b>930-0126</b>	<b>\$40.95</b>
3.000" / Chrome		<b>93-4103±</b>	<b>\$40.95</b>	
3.100"	Chrome		<b>93-4104±</b>	<b>\$40.95</b>
	Gloss Black		<b>930-0125</b>	<b>\$40.95</b>
3.200" / Chrome		<b>93-4105±</b>	<b>\$40.95</b>	
3.330" / Chrome		<b>93-4106±</b> <small>17949-40, 17950-66</small>	<b>\$40.95</b>	
3.500" / Chrome		<b>93-4107±</b>	<b>\$40.95</b>	
4.250"*		<b>93-4109</b>	<b>\$50.95</b>	

\*Custom, extra long stainless steel 4.250", customer to cut to required length  
 ± ⚠️ WARNING: Cancer and Reproductive Harm – www.P65Warnings.ca.gov



All S&S pushrod keepers are chromed steel, except part #93-4109. Keeper part #93-4109 is intended for unusually tall engines. It is manufactured of unchromed stainless steel to prevent rust or peeling after it is trimmed to the required length.

All reference to HD® part numbers is for identification purposes only. We in no way are implying that any of S&S Cycle's products are original equipment parts or that they are equivalent to the corresponding HD® part number shown.

MB

2007-'17 TWIN CAM 96"/103"/110"

1999-'06 TWIN CAM 88"

SPORTSTER, STREET, NIGHTSTER, STREET ROD & BUELL

TOOLS & SHOP SUPPLIES

WARRANTY & COMPANY POLICY

APPENDIX



**FITMENT**

Modified Harley-Davidson® 1984–up big twin and 1986–’03 Sportster® Models For S&S® Super Stock®, Special Application, or other heads which can accept a larger than stock O.D. outer spring. Stock spring O.D. is approximately 1.400". See descriptions below for outer spring O.D. of specific spring kits. S&S racing valve springs are designed to be used with "no shoulder" style valve guides. Special keepers fit stock 5/16" diameter stemmed valves and S&S collars only. Pro Stock spring kits include keepers for valves with 1/32" or 3/16" stems.

**KIT CONTENTS**

4 titanium top collars, 4 bottom collars, 4 outer, 4 middle, and 4 inner valve springs, 8 valve keepers, 4 each .015" shims and .030" shims.

**.660" LIFT TRIPLE VALVE SPRING KIT WITH TITANIUM TOP COLLARS**

- Typically used with cast iron guides
- 1.900" installed height
- 1.550" O.D. outer spring, middle spring is flat style and serves as a harmonic dampener
- Valve spring seat pressure equals 210 lbs
- Open pressure @ .660" is about 520 lbs
- Coil bind @ 1.175"

**.720" LIFT TRIPLE VALVE SPRING KIT WITH TITANIUM TOP COLLARS**

- Typically used with bronze guides
- 1.975" installed height
- 1.570" O.D. outer spring
- Valve spring seat pressure 216 lbs
- Valve spring open pressure @ .720" is 540 lbs
- Coil bind @ 1.130"

**.660" & 720" LIFT VALVE SPRING KIT FOR B3 HEADS**

Description	Part #	MSRP
.660" Lift Triple Valve Spring	90-2079	\$556.95
.720" Lift Triple Valve Spring	90-2080	\$499.95



90-2079

REPLACEMENT PARTS			
Description		Part #	MSRP
Top collar - titanium .660"/.720" lift		90-2155A	\$61.95
Bottom collar - .660"/.720" lift	each	90-2090	\$19.95
Valve keeper 5/16" valve stem SA	each	90-2153A	\$9.95
Shim - .015"	each	90-2086	\$6.95
	5 pack	50-7161	\$10.95
Shim - .030"	each	90-2087	\$7.95
	5 pack	90-2198	\$12.95

VALVE SPRING REPLACEMENT PARTS: PAGE 154

**650" VALVE SPRINGS KITS FOR B2 HEADS**

**FITMENT**

- S&S® B2 heads

**FEATURES AND BENEFITS**

- Works well with cams up to .650" lift
- Manufactured from ultra clean high silicon Kobe alloy wire then micro shot peened and nitrided
- High performance conical single wire spring
- Chromoly forged retainers

**KIT CONTENTS**

- Valve keepers, top & bottom collars, springs, shims



**S&S®.650" LIFT VALVE SPRING KIT FOR B2 HEADS**

Lift	Installed Height	Seat Force	Force @ Max Lift	Max RPM
.650"	1.860"	178 lb.	376 lb.	6500

**.650" LIFT VALVE SPRING KIT FOR B2 HEADS**

Description	Part #	MSRP
Spring, Kit, Valve, Conical, .650", Chrome Silicone Steel, 1984-2004 bt, 1986-2003 xl	900-0050	\$254.95

2007-17  
TWIN CAM  
96"/103"/110"



**FITMENT**

- Stock 2005-'17 Twin Cam 96™/103™ big twins (except 2017 touring models) with 7mm valve stems
- All S&S CNC ported heads

**FEATURES AND BENEFITS**

- Works well with cams up to .650" lift
- Manufactured from ultra clean high silicon Kobe alloy wire then micro shot peened and nitrided
- CNC machined 9° locks
- High performance conical single wire spring
- Chromoly forged retainers

**KIT CONTENTS**

- Valve keepers, Top & Bottom collars, Springs, Shims

S&S® .650" LIFT VALVE SPRINGS SPECIFICATIONS				
Lift	Installed Height	Seat Force	Force @ Max Lift	Max RPM
.650"	1.860"	178 lb.	376 lb.	6500



.650" LIFT VALVE SPRING KIT	
Description	Part #
2005-'17 big twins (7mm stems) <i>except 2017 touring models</i>	106-5909

**NOTE:**

S&S recommends roller rocker arms be used with lifts over .585"

**Street Performance .585" Valve Springs**

**FITMENT**

- 2005-'17 big twins with 7mm valve stemmed stock heads (*except 2017 touring models*)
- All S&S Super Stock Heads
- S&S CNC Ported Heads

**FEATURES AND BENEFITS**

- Springs reduce the risk of valve float
- Suitable for high performance applications
- Accommodates camshaft lift to 0.585"

**KIT CONTENTS**

- Valve Guide Seals, Springs, Top & Bottom Collars, Keepers, Shims

S&S® STREET PERFORMANCE .585" VALVE SPRINGS SPECIFICATIONS			
Lift	Installed Height	Seat Force	Force @ Max Lift
.585"	1.850"	135 lb.	325 lb.



STREET PERFORMANCE .585" VALVE SPRING KIT		
Description	Part #	MSRP
2005-'17 big twins (7mm stems) <i>except 2017 touring models</i>	900-0594	\$183.95
All S&S Super Stock Heads	900-0595	\$163.95
S&S CNC Ported Heads	900-0596	\$183.95

VALVE SPRING REPLACEMENT PARTS: PAGE 154

MB

2007-'17  
TWIN CAM  
96"/103"/110"

1999-'06  
TWIN CAM  
88"

SPORTSTER, STREET,  
NIGHTSTER, STREET ROD  
& BUELL

TOOLS &  
SHOP  
SUPPLIES

WARRANTY &  
COMPANY  
POLICY

APPENDIX



### FITMENT

- 1999–2017 big twins (except 2017 touring models)

### FEATURES AND BENEFITS

- **Roller Rocker Arms:**
  - Extremely durable rollers reduce valve stem side thrusting with high lift cams
  - Superior wear and fatigue resistance even in the most demanding applications
  - 3/4" long bushings provide 50% more bushing support area than 1/2" long bushings
  - Available in stock 1.625:1 ratio or performance 1.725:1 ratio
- **Standard Rocker Arms:**
  - 3/4" long bronze bushings provide 50% more load bearing area than the 1/2" long bushings used in stock and other aftermarket rocker arms
  - Case carburized hard surface for longer life
  - Stock 1.625:1 ratio



900-4065A

900-4119A

### KIT CONTENTS

- 2 front and 2 rear rocker arms

1.625:1 RATIO FORGED ROLLER ROCKER ARMS		
Description	Part #	MSRP
1.625:1 Ratio Roller Rocker Arm <i>Set 2 front &amp; 2 Rear</i>	900-4065A	\$652.95
Front Exhaust/Rear Intake <i>each</i>	900-4065FA  1,2,3	\$191.95
Rear Exhaust/Front Intake <i>each</i>	900-4065RA  1,2,3	\$193.95
1.725:1 RATIO FORGED ROLLER ROCKER ARMS		
1.725:1 Ratio Roller Rocker Arm <i>Set 2 front &amp; 2 Rear</i>	900-4098A	\$693.95
Front Exhaust/Rear Intake <i>each</i>	900-4098FA	\$212.95
Rear Exhaust/Front Intake <i>each</i>	900-4098RA	\$212.95
STANDARD FORGED ROCKER ARM KIT		
1.625:1 Ratio Forged Rocker Arm <i>Set 2 front &amp; 2 Rear</i>	900-4119A	\$326.95
Front Exhaust/Rear Intake <i>each</i>	900-4119FA  17375-83A	\$122.95
Rear Exhaust/Front Intake <i>each</i>	900-4119RA  17360-83A	\$122.95



REPLACEMENT PARTS FOR FORGED ROCKER ARMS		
Description	Part #	MSRP
Rocker Arm Shafts <i>(Set of 4)</i>	90-4036  17611-83B	\$50.95
Rocker Arm Shafts <i>(each)</i>	90-4006  1,2,3 17611-83B	\$16.95
Roller Rocker Arm Rebuild kits <i>(rebuilds 4 rocker arms)</i>	90-4104	\$163.95
Roller & Standard Rocker arm bushing <i>(3/4" long)</i>	90-4014	\$14.95

### NOTE:

S&S roller rocker arms are recommended for use with cams having more than 0.585" of lift. Adjustable pushrods must be used with S&S roller rocker arms to obtain proper valve clearance. New rocker arm shafts are recommended for maximum performance and rocker life. The use of 1.725:1 ratio rocker arms will increase stress on cams, tappets, and pushrods. For this reason they are recommended for racing only and not for street applications.

All reference to HD® part numbers is for identification purposes only. We in no way are implying that any of S&S Cycle's products are original equipment parts or that they are equivalent to the corresponding HD® part number shown.

2007-17  
TWIN CAM  
96"/103"/110"



Kits do not include gaskets, hardware, or intake and exhaust flanges. These parts must be purchased separately.

**FITMENT**

- 1999–'17 big twin engines (except 2017 touring models) 4 1/8" bore, stock bolt pattern (in stock, off-the-shelf\*)
  - \*S&S only stocks the late model 4 1/8" bore versions as off-the-shelf items, but heads for other applications and individual front of rear replacement heads are available by special order.
- 1999–'17 big twin engines (except 2017 touring models) 4 1/8" bore and larger with S&S or other bolt pattern (special order only)
- 1984–'99 big twin engines 4 1/8" bore and larger (special order only)
- Not compatible with Twin-Cooled™ models

**FEATURES AND BENEFITS**

- 106cc combustion chambers
- Oval intake ports bolt up to S&S Throttle Hog 70mm throttle bodies (2008–up touring applications only)
- Stock style breather system—compatible with stock and aftermarket air cleaners

- Large 2.200" intake and 1.800" exhaust valves
- .660" lift S&S valve springs with titanium top collars
- Machined for stock sensors—EFI ready
- Available in Wrinkle Black or Silver powder coat

**OPTIONS BY SPECIAL ORDER**

- CNC ported intake and exhaust ports—more air, more power!
- Two-bolt exhaust flanges—Can accommodate stock exhaust headers, existing 2" headers, or build your own 2" exhaust system
- Machined for 2008-later bagger front motor mount
- Select heads for 1984–'99 or 1999–'17 big twin style, or 1986–'03 XL
- 4 1/8" to 4 3/8" bore sizes
- Stock 1999–'17, S&S, or other cylinder stud patterns—other patterns subject to approval
- Machined with or without S&S electric compression release
- Choose from a variety of pushrod geometry machining styles
- Choose from a variety of different chamber sizes
- Individual front of rear heads available by special order



900-0458

B2 HEADS WITH STOCK BOLT PATTERN		
Finish	Part #	MSRP
Silver Powder Coat	900-0450	\$3,007.95
Wrinkle Black Powder Coat	900-0458	\$3,065.95

*\*Head Kits include valves and valve springs. Head sets w/o valves or springs individual front or rear heads are available by special order.*

! ADDITIONAL PARTS REQUIRED			
Product Description		Part #	MSRP
Special 4 1/8" Bore Pistons & Ring Set	Standard	92-1580	\$632.95
	+ .010"	92-1581	\$611.95
Special Length Pushrods (+.250")	For 124" engines	93-5106	\$152.95
	Stock height engines	93-5098	\$164.95
Intake Manifold Flange Kits	All B2 heads	16-0250	\$183.95

*\*Download the Special Order Form at [ssycle.com/soforms](http://ssycle.com/soforms)*

**REPLACEMENT PARTS: PAGE 151**

**NOTE:**

Heads are .230" taller than stock—requires special pushrods and/or frame clearancing or motor mount modifications  
 Exhaust pipe adaptor kits and other parts must be purchased separately. See "Additional Parts Required" chart, above.

NOT LEGAL FOR SALE OR USE IN CALIFORNIA ON ANY POLLUTION CONTROLLED MOTOR VEHICLE. NOT LEGAL FOR SALE OR USE NATIONWIDE ON ANY FEDERAL POLLUTION CONTROLLED MOTOR VEHICLE UNDER THE CLEAN AIR ACT

MB

2007-17  
TWIN CAM  
96"/103"/110"

1999-'06  
TWIN CAM  
88"

SPORTSTER, STREET,  
NIGHTSTER, STREET ROD  
& BUELL

TOOLS &  
SHOP  
SUPPLIES

WARRANTY &  
COMPANY  
POLICY

APPENDIX



With Stock Bolt Pattern

**FITMENT**

- 2006–2017 big twins, *except 2017 touring models*
- Not compatible with Twin-Cooled™ models

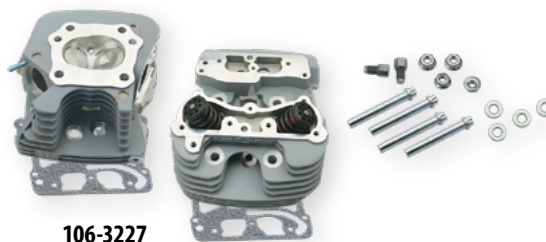
**FEATURES AND BENEFITS**

- Heads can be decked up to .060" to increase compression
- 79cc heads 1.940" intake and 1.575" exhaust valves
- 89cc heads have 2.000" intake and 1.605" exhaust valves
- 91cc heads have 2.000" intake and 1.605" exhaust valves
- S&S 89cc heads have a whopping 264cfm flow rate (*compared to 182cfm for stock HD® heads*)

- S&S .585" or .650" lift valve springs
- Must use the included S&S valve cover gasket kit part #90-4120 with stock rocker covers
- 2006–'17 heads are machined for 2008–'17 FL top motor mount
- Includes 4 long headbolts for installation
- Compatible with stock rocker boxes, exhaust and intake manifolds

**OPTIONS**

- Compression release machining or without compression release machining (*Compression release machining for S&S compression releases*)
- Silver, Wrinkle Black, or Stone Gray powder coat finish



2007-'17  
TWIN CAM  
96"/103"/110"

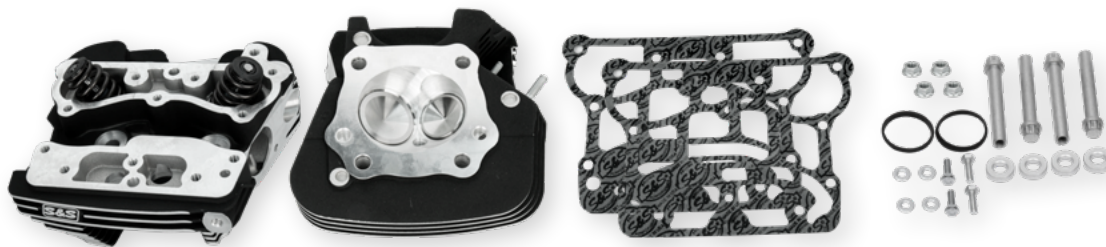
COMPRESSION RATIOS FOR S&S® SUPER STOCK® CYLINDER HEADS FOR 2006–'17 BIG TWINS (EXCEPT 2017 TOURING MODELS)							
Configuration	96"	103"	106" Big Bore	110"	111"	117"	124"
79cc	9.8	10.2/11.1*	10.6	10.8	–	–	–
	8.9	9.3/10.1*	9.7	9.8	–	–	–
91cc	–	–	–	9.6	9.75	10.3	10.8

\*S&S pop-up piston

SUPER STOCK® CYLINDER HEAD KITS FOR 2006–'17 BIG TWINS							
Description	Chamber Volume	Manifold** Surface	Compression Release Machining	Springs	Finish	Part #	MSRP
2006–'17 big twins <i>except 2017 touring models</i>	79cc		●	.650"	Silver	106-3227	\$1,803.95
			●	.650"	Wrinkle Black	106-3233	\$1,771.95
2006–'17 big twins, 2008–'16 touring models	89cc			.585"	Wrinkle Black	900-0412	\$1,550.95
2006–'17 big twins <i>except 2017 touring models</i>	89cc		●	.650"	Silver	106-3255	\$1,721.95
	89cc		●	.650"	Wrinkle Black	106-3240	\$1,721.95
2006–'17 big twins, 2008–'16 touring models	91cc	Stock		.650"	Silver	900-0344	\$1,730.95
		+.032"		.650"		900-4278	\$1,730.95
	91cc	-.064		.650"	Wrinkle Black	900-0993	\$1,759.95
S&S 124" Hot Set Up Kits	91cc	+.032"	●	.650"	Wrinkle Black	106-3249	\$1,774.95
		Stock		.650"		900-0349	\$1,816.95
		+.032"		.650"		900-3249	\$1,732.95

\*\*In order to accommodate the change in engine height on S&S 124" engines and still use a stock length manifold, S&S added material to the surface for proper sealing of manifold to cylinder head.  
 NOT LEGAL FOR SALE OR USE IN CALIFORNIA ON ANY POLLUTION CONTROLLED MOTOR VEHICLE. NOT LEGAL FOR SALE OR USE NATIONWIDE ON ANY FEDERAL POLLUTION CONTROLLED MOTOR VEHICLE UNDER THE CLEAN AIR ACT

**NOTE:**  
 Harley Davidson automatic compression release will not work with Super Stock heads



900-0412

**TOP END GASKET KITS FOR 1999-17 BIG TWINS (EXCEPT 2017 TOURING MODELS)**

3 7/8" & 3.927" Bore		4" Bore		S&S 4 1/8" Bore (Graphite)		Stock 4 1/8" Bore (Layered Steel)	
910-0465	\$102.95	90-1913	\$61.95	90-1910	\$73.95	90-1914	\$142.95

Includes a set of head and base gaskets, exhaust gaskets, and o-rings.

**NOTE:**

**79cc heads**

When 79cc stock compatible heads are used with stock HD® pistons, TDC lifts of up to .186" for intake and .179" for exhaust and can be used without additional valve pocket clearancing. This allows the use of S&S® 510, 570, and 585 camshafts. If cams with higher TDC lifts are used, or if the heads are decked, piston valve pocket machining will be required.

79cc heads may be decked as much as .060" to increase compression. If heads are decked, piston valve pockets must be re-machined.

Moderate valve spring force in S&S Super Stock® cylinder heads allows the use of camshafts designed for the stock style chain cam drive system. However, for maximum reliability and performance we recommend the S&S gear drive cams.

Must use S&S rocker base gasket kit part #90-4120 with stock rocker covers.

79cc Heads should not be used with any piston having a pop up dome.

**89cc heads**

If 89cc heads are used with stock pistons, valve reliefs must be machined in the pistons due to larger valve size.

89cc heads may be decked as much as .060" to increase compression. If heads are decked, valve-to-piston clearance must be checked. If stock pistons are used, valve pockets must be re-machined.

Moderate valve spring force in S&S® Super Stock® cylinder heads allows the use of camshafts designed for the stock style chain cam drive system. However, for maximum reliability and performance we recommend the S&S gear drive cams.

A larger intake manifold is recommended to supplement the heads in order to let them flow to their full potential.

Must use S&S rocker base gasket kit part #90-4120 with stock rocker covers.

**91cc heads**

By changing the profile and shape of the cooling fins on our heads for 4 1/8" bore engines, a large reduction in the transmission of mechanical noise was found. This not only benefits our TÜV certified engines and our EPA approved engines, but our performance engines as well!

Since April 1, 2007, these redesigned heads have been installed on all S&S 4 1/8" bore engines and Hot Set Up Kits.

Replacement heads of the old style are available by special order.

Must use S&S valve cover gasket kit part #90-4120 with stock rocker covers.

**MANIFOLD RECOMMENDATIONS**

S&S single bore throttle body and manifold are recommended for engines with Magneti Marelli® fuel injection.

Due to the change in manifold flange mounting bolt pattern, stock flanges and S&S seal part #16-0235 must be used. The Screamin' Eagle® 58mm throttle body/manifold may also be used on 2006-09 engines.

We recommend the stock 50 mm throttle body or S&S Throttle Hog 58mm throttle body/manifold for 2008-up touring models with Electronic Throttle Control (ETC).

**IMPORTANT MANIFOLD INFORMATION**

In 2006, Harley-Davidson® changed the bolt pattern of the flanges that connect the manifold to the cylinder heads for all big twin engines. The pattern was changed from an offset bolt pattern to a symmetrical bolt pattern, so flanges can fit either the front or rear cylinder head. In addition, the intake port was moved slightly toward the drive side of the engine, making the port-to-port distance of the intake manifold slightly shorter. S&S® heads for 2006-up big twins are machined with the symmetrical bolt pattern and relocated port to allow for the fitment of stock manifolds. In 2008, Harley-Davidson touring models were equipped with electronic throttle control (ETC). The throttle body and manifold used on these engines is a one-piece unit that contains a servomechanism to control the position of the throttle plate. S&S recommends the S&S Throttle Hog throttle body for this application, page 131. This limits the cylinder length of engines using an ETC manifold/throttle body to stock length because the ETC manifold/throttle body units are only available in stock length. However, S&S does supply specially machined cylinder heads for our 124" Hot Set Up Kit® for 2008 and later baggers, which allows the use of a stock length manifold on these longer-than-stock engines.

REPLACEMENT PARTS: PAGE 152



**FITMENT**

- Available for 1999–2017 big twin engines, except 2017 touring models
- Ideal for 88"–124" engines (must use Screamin' Eagle® high flow injectors HD #27796-08 with stock throttle body, with kits over 107")
- Not compatible with Twin-Cooled™ models

**FEATURES AND BENEFITS**

- CNC machined ports for a consistent performance increase from stock heads
- Great throttle response, high velocity port without losing low RPM torque
- Assembled with performance valves and springs ready to bolt-on
- Choice of .585" or .650" lift valve springs
- Combustion chambers are available in the following volumes:
  - 83cc—Generally used for stock 88" up to 106" engine displacements
  - 85cc—Same as stock Twin Cam 88° and 96" engine displacements
  - 87cc—Recommended for up to 117" engine displacements
  - 90cc—Generally used for 124" and up engine displacements
- Available in factory black or silver



**S&S CNC PORTING SERVICE OPTIONS**

**REWORK SERVICE**

- Send your stock heads to S&S
- Get the same set of heads back with CNC machined ports
- The best option for heads with a special cosmetic treatment
- Allow 1 week turn-around (does not include shipping)

**CUSTOM CNC PORT DUPLICATION**

- S&S can digitize your port design and machine it in your heads, ask an S&S customer service rep for details



WATCH THE S&S CNC PORTING VIDEOS AT [SSCYCLE.COM/VIDEOS](http://SSCYCLE.COM/VIDEOS)

**CNC PORTING SERVICE**

Fitment	Part #
1999–2017 big twins (except Twin-Cooled™ & 2017 touring models)	106-5880
NOT LEGAL FOR SALE OR USE IN CALIFORNIA ON ANY POLLUTION CONTROLLED MOTOR VEHICLE. NOT LEGAL FOR SALE OR USE NATIONWIDE ON ANY FEDERAL POLLUTION CONTROLLED MOTOR VEHICLE UNDER THE CLEAN AIR ACT	

**S&S® CNC PORTING SERVICE SPECIFICATION COMPARISON**

Heads	VALVE SIZE		Max Valve Lift	MAX TDC LIFT		PORT FLOW		Chamber Volume
	Intake	Exhaust		Intake	Exhaust	Intake	Exhaust	
Stock	1.805"	1.575"	.585"	–	–	216.2 cfm	191.8 cfm	85cc
CNC Ported by S&S	1.900"	1.610"	.650"	.230"	.215"	248.6 cfm	209.7 cfm	83cc**

\*Flow testing performed on a SuperFlow® 1020 flow bench at 28" of water test pressure at .600" lift. Heads tested are 2006–12 style.

Heads	COMPRESSION RATIO								
	88"	95"	96"	97"	103"	106" Stroker	106" Big Bore	117" DD Piston	124" DD Piston
Stock	9.0:1	9.2-1	9.2-1	9.7:1	10.1:1	10.1:1	10.0:1	10.0:1	10.7:1
CNC Ported by S&S	9.2-1	9.4:1	9.4:1	9.9:1	10.3:1	10.3:1	10.2-1	10.2-1	10.9:1

\*\*As a general rule of thumb, for every 1cc decrease in chamber volume equals a .1 increase in compression ratio.

**NOTE:**

CNC porting is not available for previously ported heads, heads that have been structurally damaged, or heads that are determined to be unserviceable during initial inspection. These heads will be returned to the customer without modification. In these cases, the customer will be notified and options will be reviewed. New, CNC ported stock heads or S&S heads are available for purchase.

Due to variations in stock cylinder head castings, all inside surfaces of the ports may not "clean up" during machining. As a result, the inside of one or more ports may not appear to be completely machined. This does not effect performance and is not considered a defect.

Fuel injection tuning required.

CNC porting is not currently available for Harley-Davidson® CVO engines or Screamin' Eagle® cylinder heads.

Must use Screamin' Eagle® high flow injectors, HD #27796-08, with kits over 106" with stock throttle body

S&S recommends using a S&S Throttle Hog throttle body when installing S&S CNC ported heads to achieve full horsepower performance potential. page 131.

2007-17  
TWIN CAM  
96"/103"/110"





HEAD BOLTS					
Bolt Length w/Washer	Washer Thickness	Head Bolt w/Washer	MSRP	Washer Only	MSRP
1.690"	.250"	93-3028	\$15.95	50-7091	\$7.95
1.840"	.150"	93-3027	\$15.95	50-0418-S	\$9.95
1.920"	.250"	93-3036	\$21.95	50-7091	\$7.95
2.070"	.150"	93-3031	\$21.95	50-0418-S	\$9.95
2.220"	.250"	93-3038	\$21.95	50-7091	\$7.95
2.370"	.150"	93-3032	\$21.95	50-0418-S	\$9.95
3.134"	.250"	93-3029	\$21.95	50-7091	\$7.95
3.284"	.150"	93-3030	\$21.95	50-0418-S	\$9.95
3.501"	.250"	93-3037*	\$21.95	50-7091	\$7.95
3.651"	.150"	93-3033*	\$21.95	50-0418-S	\$9.95

*\*Drilled & tapped deeper to allow shortening for custom lengths.*



**PLEASE NOTE:**  
**HEAD BOLTS FOR**  
**T143 ENGINE**  
**ARE PART # 93-3037**

**CALCULATING**  
**CUSTOM HEAD BOLT**  
**LENGTH:**  
**SEE INSTRUCTIONS**  
**IN THE APPENDIX: PAGE 359**

HEAD BOLTS FOR HARLEY-DAVIDSON® TWIN CAM 96™ ENGINES									
Engine Displacement	Stroke	Cylinder Length	Cylinder Head Type	Short Bolt w/Washer	MSRP	Long Bolt w/Washer	MSRP	Head Bolt Kit	MSRP
Stock 96 & 103	4 $\frac{3}{8}$ "	4.937"	Stock HD®	93-3031	\$21.95	93-3030	\$21.95	93-3014	\$142.95
117" Big Bore	4 $\frac{3}{8}$ "	4.878"	S&S®	—		93-3030	\$20.95	93-3070	\$142.95
124" Big Bore Stroker	4 $\frac{5}{8}$ "	5.013" or 5.004"	Stock HD	93-3038	\$21.95	93-3037	\$21.95	93-3016	\$142.95
			S&S	—		93-3037	\$21.95	93-3071	\$142.95

**S&S® CHROME HEAD BOLT COVERS**

Dress up your engine with these magnetic chrome head bolt covers. Easy installation, no tools, no messy adhesives. A powerful magnet holds cover in place, yet allows easy removal. Chrome plated steel looks great on any engine, but is a must for polished engines. For S&S head bolts only.



CHROME HEAD BOLT COVERS		
Description	Part #	MSRP
Set of 4, for S&S Head Bolts only	50-0333	\$91.95

WARNING: Cancer and Reproductive Harm – www.P65Warnings.ca.gov

**Die-Cast Rocker Covers**

**FITMENT**

- 2007–'17 model big twins, *except 2017 touring models*

**FEATURES AND BENEFITS**

- Special rocker arm supports are included
- S&S rocker covers are finished with show-quality chrome
- Installation on stock and most comparable sized engines can be performed without removing the engine from the frame
- Clearanced to permit valve lifts up to .640" using S&S valve spring packages and stock rocker arms or S&S roller rocker arms
- S&S rocker covers accept valve springs up to 1.660" O.D. without modification

- Exclusive one way valve built into the rocker cover gasket to control oil carry over

**KIT CONTENTS**

- Front and rear covers
- All necessary gaskets and o-rings
- Mounting hardware



DIE-CAST ROCKER COVER KIT		REPLACEMENT PARTS: PAGE 155
Description	Part #	
Gloss Black	900-0937	\$879.95
Chrome±	90-4110	\$1,091.95

± WARNING: Cancer and Reproductive Harm – www.P65Warnings.ca.gov

**NOTE:**

If using valve spring packages with taller than stock installed height, some minor clearancing may be required. Cylinder heads must be set up correctly for high lift cams, and it remains the builder's responsibility to confirm all clearances. In most instances, only minor clearancing is required to use S&S rocker covers with valve springs larger than 1.660" O.D. S&S® rocker covers are required if S&S cylinder heads are used with S&S electric compression releases.

**ANY JOB IS EASY WITH**  
**THE RIGHT TOOLS**  
**S&S ROCKER COVER WRENCH**  
**SET, SEE PAGE 347**

MB

2007-17  
TWIN CAM  
96"/103"/110"

1999-'06  
TWIN CAM  
88"

SPORTSTER, STREET,  
NIGHTSTER, STREET ROD  
& BUILL

TOOLS &  
SHOP  
SUPPLIES

WARRANTY &  
COMPANY  
POLICY

APPENDIX



S&S cable operated Throttle Hog Throttle bodies are available for 2002-’17 Harley-Davidson® big twins using cable operated throttles. Choose from 58mm for stock or mildly built engines, or the whopping 66mm Throttle Hog for big inch engines. More Air, More Power!

**FITMENT**

- 2006-’17 Harley-Davidson EFI big twins with cable controlled throttles
- S&S EFI Hot Set Up Kit® installations and T-Series Long Block engines with cable controlled throttles

**FEATURES & BENEFITS**

- More air flow for improved performance
- S&S Stealth air cleaners kit, with the proper bore sizes, are available
- Works with all air cleaner kits designed for throttle by wire engines with stock breather system
- One-piece design for easy installation and stock appearance
- Compatible with stock sensors, fuel rail, and throttle cables
- Black powder coat finish matches stock
- Sealed, stainless steel throttle shaft with dual roller bearings for smooth operation and no air leaks
- Kit includes hardened steel flanges and seals
- No stock throttle body exchange required!

THROTTLE HOG CABLE OPERATED THROTTLE BODIES FOR 2006-2017 BIG TWIN					
Year	Size (mm)	Engine Fitment	Manifold Size	Part #	MSRP
2006-2017 big twin	58	96", 103", 106", 107", 110", S&S 117" Hot Set Up Kit®, and 124" Hot Set Up Kit® (w/S&S +.032" heads only)**	405	<b>170-0346</b>	<b>\$877.95</b>
		S&S T-Series Engines** (Engines produced after 2013)			
		S&S T-Series 111" Long Block Engines**	398	<b>170-0347</b>	<b>\$947.95</b>
		S&S T-Series 124" Engines with S&S bolt pattern, and 124" Hot Set Up Kit® (w/stock or standard S&S heads)** (Engines produced before 2013)	417	<b>170-0345</b>	<b>\$887.95</b>
	66	96", 103", 106", 107", 110", S&S 117" Hot Set Up Kit®, and 124" Hot Set Up Kit® (w/S&S +.032" heads only)**	405	<b>170-0349</b>	<b>\$877.95</b>
		S&S T-Series Engines** (Engines produced after 2013)			
S&S T-Series 111" Long Block Engines**		398	<b>170-0350</b>	<b>\$887.95</b>	
	S&S T-Series 124" Engines with S&S bolt pattern, and 124" Hot Set Up Kit® (w/stock or standard S&S heads)**	417	<b>170-0348</b>	<b>\$887.95</b>	
	S&S T-Series Engines** (Engines produced before 2013)				

*\*\*Some S&S heads have additional material on the manifold surface to allow the use of a stock length manifold (405) on a 124" engine. If you are not sure which manifold should be ordered, check fitment with the stock manifold first.*

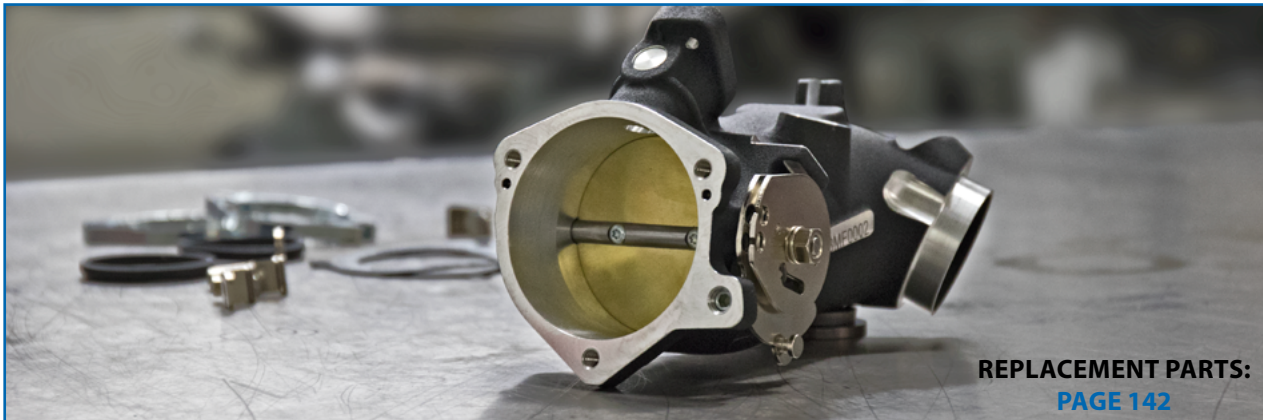
NOT LEGAL FOR SALE OR USE IN CALIFORNIA ON ANY POLLUTION CONTROLLED MOTOR VEHICLE. NOT LEGAL FOR SALE OR USE NATIONWIDE ON ANY FEDERAL POLLUTION CONTROLLED MOTOR VEHICLE UNDER THE CLEAN AIR ACT

Description	Part #	MSRP
<b>REPLACEMENT FLANGE KITS</b> 2006-2017 big twin	<b>160-0168</b>	<b>\$101.95</b>
<b>6.2 g/s FUEL INJECTORS for</b> 2006-2017 Cable-operated Throttle Hogs	<b>550-0749</b>	<b>\$214.95</b>



**MAKE MORE POWER!**

S&S Air Cleaner Kits  
page 88



REPLACEMENT PARTS:  
PAGE 142

2007-17  
TWIN CAM  
96"/103"/110"



**FITMENT**

- 2008–2016 big twins w/throttle-by-wire (Except models equipped with the Twin-Cooled™ system)

**FEATURES AND BENEFITS**

- Increase in airflow for additional performance gains
- Meets the breathing needs of even the largest of engines — choose from 58mm, 66mm, or 70mm
- Increased manifold port I.D. 1.780"
- Economically priced compared to competitors
- Utilizes stock sensors and fuel rail
- Kit includes hardened steel flanges and seals
- All throttle-by-wire 58 & 66mm throttle bodies are machined to stock length intake manifolds (S&S manifold size 405) only

**58MM** Recommended for engines up to 110". Perfect with a S&S® 106" Big Bore kit

**66MM** Perfect pairing with a S&S 124" Hot Set Up Kit® or a 124" engine (when running cylinder heads with stock style round intake ports)

**70MM** Recommended for engines up to 145" displacement. S&S B2 and B3 cylinders heads are required to match the oval port configuration

**ADDITIONAL PARTS REQUIRED**

- Air cleaner (see chart for recommended air cleaner kits)
- High flow injectors P/N 550-0747
- A performance motorcycle tuning module.



**SOLD ON EXCHANGE ONLY—HERE'S HOW IT WORKS**

1. Your S&S® dealer sends your stock throttle body to S&S Cycle, Inc
2. S&S tests your incoming throttle body and its electrical components — a non-functional unit cannot be used and will be returned
3. S&S transfers your functional electrical components to your new S&S Throttle Hog
4. The complete Throttle Hog is tested and shipped to your S&S dealer (along with your original throttle body)
5. Your new Throttle Hog will typically be shipped within 2–3 days of receipt at S&S.

THROTTLE HOG THROTTLE BODIES AND AIR CLEANER KITS						
Size	Throttle Hog Throttle Body	MSRP	Stealth Air Cleaner Kits***	MSRP	Backplate only*	MSRP
58mm	160-0034	\$693.95	170-0164	\$203.95	170-0167	\$122.95
66mm	160-0010	\$693.95	170-0165	\$203.95	170-0168	\$122.95
70mm B2	160-0112	\$1,081.95	—		170-0247**	\$91.95

*\*If you already have a Stealth air cleaner for a stock throttle body, all you need is the backplate.*  
 NOT LEGAL FOR SALE OR USE IN CALIFORNIA ON ANY POLLUTION CONTROLLED MOTOR VEHICLE. NOT LEGAL FOR SALE OR USE NATIONWIDE ON ANY FEDERAL POLLUTION CONTROLLED MOTOR VEHICLE UNDER THE CLEAN AIR ACT  
 \*\*70mm B2 backplates do not have mounts to the cylinder head. A bracket must be fabricated to support the throttle body separately. Engine height determines if stock bracket can be used.  
 \*\*\* These kits do not include an air cleaner cover. page 91 for S&S Stealth covers.  
 ⚠️ WARNING: Cancer and Reproductive Harm — www.P65Warnings.ca.gov

**6.2 G/S FUEL INJECTORS FOR 2008–2017 THROTTLE-BY-WIRE THROTTLEHOGS**

Part #	MSRP
550-0747	\$269.95



**B3 APPLICATIONS:  
PAGE 104**

**WARRANTY:  
S&S THROTTLE HOG THROTTLE BODIES**

S&S® Cycle, Incorporated warrants the S&S components of your S&S Throttle Hog throttle body to be free from defects in material and workmanship for a period of one year from the date of purchase by the original consumer customer. If parts become defective during the warranty coverage period, S&S will, at its option, repair or replace any, or all, defective parts. Repair or replacement of defective parts is the sole and exclusive remedy.

In the event that any OEM component re-utilized in the assembly of the throttle body fails, S&S may service the unit provided the OEM components are supplied to S&S at the time of service.

AMB

2007–17  
TWIN CAM  
96"/103"/110"

1999–'06  
TWIN CAM  
88"

SPORTSTER, STREET,  
NIGHTSTER, STREET ROD  
& BUELL

TOOLS &  
SHOP  
SUPPLIES

WARRANTY &  
COMPANY  
POLICY

APPENDIX



**FITMENT**

- Stock height or taller than stock 2006–'15 bt, except 2008–2015 touring models
- S&S 52mm or 58mm throttle bodies
- Stock or S&S heads
- S&S T-Series Long Block engines

**KIT CONTENTS**

- Manifold
- O-ring intake seals
- VOES fitting cap

2007-17  
TWIN CAM  
96"/103"/110"



16-5139

MANIFOLDS FOR SINGLE BORE EFI 2007-'15 BIG TWIN ENGINES				
Engine Displacement	Cylinder Length	Manifold Size	Part #	MSRP
96", 103" & 106" (S&S engines with stock bolt pattern)	4.937"	405	16-5134	\$247.95
124" Hot Set Up Kit® (w/stock or standard S&S heads)**	5.004"	417	16-5139	\$267.95
124" Hot Set Up Kit® (w/S&S +.032" heads only)**	5.004"	405	16-5134	\$247.95
111" S&S T-Series Long Block Engines	4.754"	398	16-5136	\$247.95
117" Hot Set Up Kit®	4.878"	405	16-5134	\$247.95
124" S&S T-Series Engines, S&S bolt pattern	5.013"	417	16-5139	\$267.95

\*\*Some S&S heads have additional material on the manifold surface to allow the use of a stock length manifold (405) on a 124" engine. If you are not sure which manifold should be ordered, check fitment with the stock manifold first.

**NOTE:**

S&S style o-rings must be used with these manifolds. S&S o-rings are slightly thinner to accommodate the larger S&S port diameter. Use of stock o-rings may cause damage. 2006–up models require separate purchase of HD® intake manifold flanges pn 26993-06 (1 pack).

**Single Bore EFI Throttle Bodies**

**52MM:** Offering a 30% larger cross sectional area than stock throttle bodies, the S&S 52mm bore throttle body flows more than enough air for all but the most demanding street engines.

**58MM:** In response to constant requests for something bigger, S&S also offers a huge 58mm bore throttle body! Strictly for large displacement competition engines, this throttle body allows your engine to breathe easily and make more power! Recommended for S&S 106" big bore kit.

**FITMENT**

- 2006–'17 EFI big twins (except 2008–up touring & 2016–'17 Softail® models with electronic throttle control)

**FEATURES AND BENEFITS**

- Excellent performance
- Recommended tuning products:
  - S&S VFI
- Cruise control compatible with no extra bracket

**OPTIONS**

- 52mm
- 58mm

**KIT CONTENTS**

- Throttle body assembly
- Fuel injectors
- Fuel rail
- Harness adaptors
- All necessary hardware, gaskets, and hoses

SINGLE BORE EFI THROTTLE BODY KIT		
Description	Part #	MSRP
52mm Kit including Fuel Rail Kit	17-5070	\$947.95
58mm Kit including Fuel Rail Kit	106-4408	\$947.95

NOT LEGAL FOR SALE OR USE IN CALIFORNIA ON ANY POLLUTION CONTROLLED MOTOR VEHICLE. NOT LEGAL FOR SALE OR USE NATIONWIDE ON ANY FEDERAL POLLUTION CONTROLLED MOTOR VEHICLE UNDER THE CLEAN AIR ACT.

**NOTE:**

If you plan to use another programmable fuel injection module, it is best to consult the manufacturer to be certain that it is compatible with the S&S single bore system and has enough tuning capability for your engine configuration. Requires S&S manifold and air cleaner assembly (order separately)

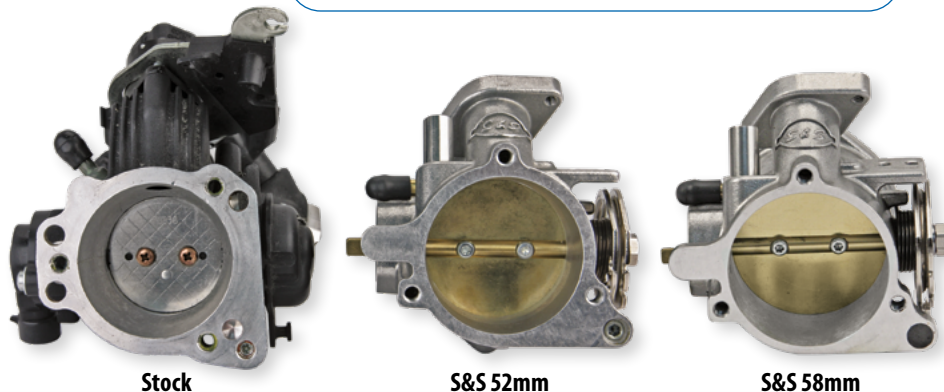
**MAKE MORE POWER!**

S&S® Stealth Air Cleaners: [page 88](#)  
S&S Air Cleaner Kits: [page 94](#)

**NEW & IMPROVED!**

**CABLE-OPERATED THROTTLE HOGS** [PAGE 130](#)

**REPLACEMENT PARTS:**  
[PAGE 143](#)



Stock

S&S 52mm

S&S 58mm



**FITMENT**

- S&S cylinder heads and rocker boxes for big twin with compression release machining
- Will not fit OEM heads

**ELECTRIC RELEASE:**

Solenoid operated, this system automatically opens and closes when the starter button is pressed and released. Convenient and simple, this is the best setup for big displacement high compression bikes. Requires S&S die cast rocker covers, page 129



COMPRESSION RELEASE KITS		
Description	Part #	MSRP
Electric	90-4915	\$448.95

TOOLS AND ACCESSORIES		
Description	Part #	MSRP
S&S Two-Piece Socket Kit: <i>Allows in-frame installation of S&amp;S compression releases and protects wiring from damage during installation.</i>	53-0045	\$178.95
S&S Compression Release Hole Plug	<i>each</i> 90-4916	\$24.95
	<i>2 pack</i> 90-4916-2	\$49.95

REPLACEMENT PARTS		
Description	Part #	MSRP
Silicone Solenoid Caps	55-1009	\$9.95
Wiring Harness <sup>USA</sup> 2,3	55-1010	\$141.95
Electric Compression Release Assembly 2,3	90-4914	\$193.95

**NOTE:**

S&S rocker covers must be used with electric compression releases due to clearance requirements for the solenoids. Rocker covers must be removed when installing S&S® compression releases. If lack of frame clearance prevents removal of rocker covers, engine must be removed from frame for compression release installation.

In most cases, S&S compression releases can be installed while the engine is in the frame with the special S&S two-piece socket kit, part #53-0045.

If cylinder heads are machined for S&S compression releases, but compression releases are not used, special plug part #90-4916 (two required) must be installed to seal the machined hole.

Stock cylinder heads cannot be machined for S&S compression releases because there is not enough material in critical areas.

AM8

2007-17  
TWIN CAM  
96"/103"/110"

1999-'06  
TWIN CAM  
88"

SPORTSTER, STREET,  
NIGHTSTER, STREET ROD  
& BIJEL

TOOLS &  
SHOP  
SUPPLIES

WARRANTY &  
COMPANY  
POLICY

APPENDIX



**DELPHI® STYLE S&S® VFI MODULE**

**FITMENT**

- 2001–'10 Harley-Davidson® EFI Softail® models
- 2002–'07 EFI touring models
- 2004–'11 EFI Dyna® models

**IMPROVED FEATURES:**

- New state of the art components replace outdated materials
- Improved waterproof housing
- More durable USB-C connector
- Faster processor for increased communication speed
- Protune II 4.0, available to download at [sscycle.com/protune](http://sscycle.com/protune)
- EC-approved

**FEATURES AND BENEFITS**

- Replaces stock Harley-Davidson® fuel injection modules—  
*plugs directly into stock wiring harness*
- ProTune II software is available for free download at: [sscycle.com/protune](http://sscycle.com/protune)
- Three stage engine overheat protection helps prevent possible engine damage
- Altitude compensation automatically adjusts for altitude variations
- Live tuning allows manual changes to maps while the engine is running
- Self diagnostics and actuator test functions help tuning and verify proper installation/operation
- Engine light can be programmed to function as a shift light
- Closed loop capable
- Optional closed loop sensor kit and knock sensor kit extend module capabilities
- Speedometer calibration function for 2004–up Harley-Davidson® models  
*(does not require installation of separate speedometer calibrator)*



55-5090

**CLOSED LOOP CAPABILITY**

When equipped with a dual closed loop sensor kit and running in closed loop mode, VFI tuning becomes a breeze! S&S supplies base maps for several displacement groups, creating a starting point to get bikes up and running. Utilizing dual oxygen sensors (*sold separately*) placed in the exhaust, the S&S closed loop system modifies the base fuel map to meet the specific requirements of your engine!

- Automatic tuning on the street or on the dyno
- Each cylinder is tuned individually
- Fuel map changes are saved in the module & can be merged with the pre-loaded base map
- Works with stock oxygen sensors used on late model Harley-Davidson® motorcycles

Closed loop VFI can also automatically compensate fuel delivery for modifications creating up to a 20 hp gain, such as changes in:

- Displacement
- Cams
- Exhaust
- Head porting or installation of aftermarket heads

**KIT CONTENTS**

- Delphi® style S&S VFI module
- USB port cover kit
- Installation instructions



106-2066

**DELPHI® STYLE S&S VFI MODULE**

Fitment/Description	Part #	MSRP
VFI Module for 2001–'11 bt ( <i>except 2008–up touring and 2011 Softail®</i> )**	55-5090*	\$1,109.95

\*NOT LEGAL FOR SALE OR USE IN CALIFORNIA ON ANY POLLUTION CONTROLLED MOTOR VEHICLE. NOT LEGAL FOR SALE OR USE NATIONWIDE ON ANY FEDERAL POLLUTION CONTROLLED MOTOR VEHICLE UNDER THE CLEAN AIR ACT

**REPLACEMENT PARTS FOR VFI MODULES**

Description	Part #	MSRP
Service Kit, O2 Sensor	106-2061	\$152.95
Service Kit, Oxygen Sensor Boss	55-6071-S	\$24.95
Service Kit, Subharness ( <i>Delphi Style</i> )	55-1595	\$183.95
Hardware Kit ( <i>USB Cover</i> )	55-5091	\$15.95

**NOTE:**

All current production S&S modules are closed loop compatible, and all older S&S modules can be updated with current calibration by simply downloading software from the S&S website at [sscycle.com/protune](http://sscycle.com/protune)

Please note that maps created for older versions of the VFI software are not compatible with the new closed loop software, however they can be converted to closed loop if desired.

S&S VFI systems installed on 2004–up Harley-Davidson® models incorporate a speedometer calibration feature.

Due to the extreme range of control offered by the S&S VFI modules, we recommend that they be installed and tuned by S&S Certified VFI Tuning Centers. Check [www.sscycle.com](http://www.sscycle.com) to find a tuning center near you.

2007-17  
TWIN CAM  
96"/103"/110"



The VP clutch is the most cost effective kit for upgrading your HD® stock clutch. Up to 40% more pressure for stronger clutch engagement.

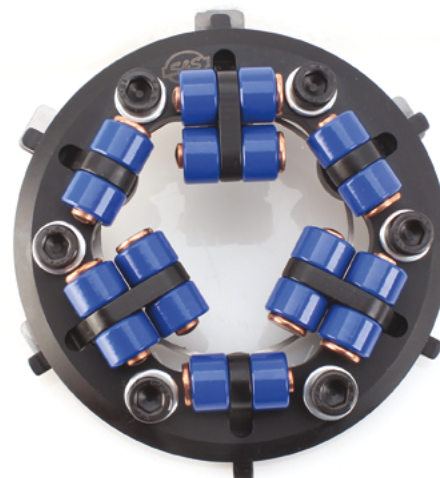
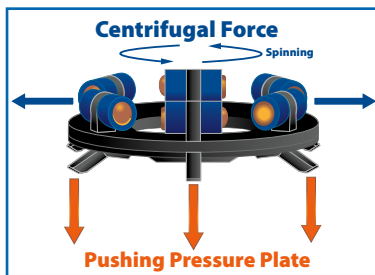
**FEATURES AND BENEFITS**

- Works like a lock up clutch
- Increased torque capacity: strength of engagement increases with RPM
- 10 minute installation
- Fits behind most stock derby covers and primary covers—*No modification required*
- Can be used with cable and hydraulic clutch controls

Does not fit: 2013 and later CVO™ and Tri-Glide™, 2015 and later Ultra Limited Low and Electra Glide Classic Low Models with new HD® Assist and Slipper Clutch: 3 Stud Clutch Hub

Non-stock derby cover (including any special or 2003 anniversary cover) and 3 hole derby covers may require a derby

*Centrifugal force makes more clamping force. Regular clutches have static pressure only with clutch springs. The Lock up clutch has two different types of pressure. One is a Static Pressure, and another is a Centrifugal Force by Lock-up as an additional pressure.*



**VARIABLE PRESSURE CLUTCH**

Description	Part #
1998–2017 big twins except M8	560-0242

**Inner Primary Bearing Race**

The tendency of the stock inner primary bearing race on late model big twins to shift on the transmission mainshaft under high torque loads, also known as “walking” of the race, can cause destruction of the transmission mainshaft seal, and ultimately the mainshaft seal, output gear and output gear bearing. The S&S inner primary bearing race features an extra step on the inside diameter that acts as a stop on the transmission mainshaft. When the race is pressed on to the shaft, the step will not allow the race to move inward toward the mainshaft seal. The improved S&S bearing race is a must for any high performance application.



**FITS:**

- 2017–2020 M8 models
- 2008–17 big twin models with stock 6 speed Cruise Drive™ transmissions

**FEATURES AND BENEFITS**

- Will not “walk” on transmission mainshaft
- Prevents costly damage to mainshaft seal, output gear & output gear bearing
- Simple to install

**INNER PRIMARY BEARING RACE**

Description	Part #
2017–2020 M8 models 2008–2017 big twin models	560-0241

**Heavy Duty Diaphragm Spring**

**FITMENT**

- 1998–2017 big twin models, *except 2017 touring models*

**FEATURES AND BENEFITS**

- 380 lbs pressure, 25% stronger than stock
- Same pressure as Screamin’ Eagle® heavy-duty spring
- Compatible with S&S VP and stock clutches



**HEAVY DUTY DIAPHRAGM SPRING**

Description	Part #	MSRP
1998- up big twins	560-0244	\$51.95

M8

2007–17  
TWIN CAM  
96”/103”/110”

1999–’06  
TWIN CAM  
88”

SPORTSTER, STREET,  
NIGHTSTER, STREET ROD  
& BUELL

TOOLS &  
SHOP  
SUPPLIES

WARRANTY &  
COMPANY  
POLICY

APPENDIX



S&S final drive belts by Gates are available with 14mm pitch in 1½" and 1⅞" widths. See the chart and match the width and number of teeth required for your vehicle. You can find this information in the vehicle service manual.

SECONDARY DRIVE BELTS (14MM PITCH)				
Teeth	1⅞" Wide	MSRP	1½" Wide	MSRP
125	<b>106-0357</b>	\$284.95	–	–
126	–	–	<b>106-0348</b>	\$287.95
127	–	–	<b>106-0349</b>	\$292.95
128	<b>106-0358</b>	\$284.95	<b>106-0350</b>	\$287.95
130	<b>106-0359</b>	\$284.95	<b>106-0351</b>	\$292.95
132	<b>106-0360</b>	\$284.95	<b>106-0352</b>	\$292.95
133	<b>106-0361</b>	\$284.95	<b>106-0353</b>	\$292.95
135	<b>106-0362</b>	\$287.95	<b>106-0354</b>	\$292.95
136	–	–	<b>106-0355</b>	\$308.95
139	<b>106-0363</b>	\$287.95	<b>106-0356</b>	\$303.95
149	<b>106-1338</b>	\$298.95	–	–



106-0361

2007-17  
TWIN CAM  
96"/103"/110"





REBUILD GASKET KITS FOR S&S T-SERIES 1999-UP ENGINES AND HOT SET UP KIT®		
Description	Part #	MSRP
1999-up 4 7/8", S&S base bolt pattern	<b>106-0976</b>	<b>\$214.95</b>
1999-up, 4 7/8", Stock base bolt pattern	<b>310-0335</b>	<b>\$278.95</b>
1999-up T143 4.425" bore	<b>310-0751</b>	<b>\$325.95</b>

TOP END GASKET KIT FOR TWIN CAM 96°/103° AND S&S ENGINES		
Bore	Part #	MSRP
4 3/8"	<b>90-9511</b>	<b>\$163.95</b>
4 1/8" Stock Cases	<b>90-9510</b>	<b>\$175.95</b>
4" Stock Bolt Pattern	<b>90-9505</b>	<b>\$102.95</b>
3 7/8", 3.927", & 3.937" Stock Bolt Pattern	<b>90-9504</b>	<b>\$133.95</b>

*Kits include all gaskets and seals required to rebuild the top end of an S&S engine with S&S cylinders and cylinder heads. Rocker cover gaskets are not included in kits. See "S&S Rocker Cover Gasket Kit" chart to order separately.*

CYLINDER HEAD GASKET KITS FOR T-SERIES 1999-UP		
Bore	Part #	MSRP
4 1/8" Stock Bolt Pattern	<b>90-1914</b>	<b>\$142.95</b>
4 3/8" bore	<b>900-0800</b>	<b>\$132.95</b>
4" Stock Bolt Pattern	<b>930-0116*</b>	<b>\$101.95</b>
3 7/8", 3.927", & 3.937" Stock Bolt Pattern, including Twin-Cooled	<b>910-0465*</b>	<b>\$102.95</b>

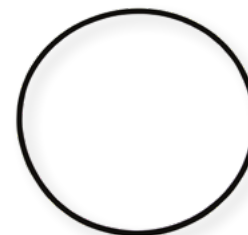
*Kits contain head gaskets, base gaskets or o-rings, and exhaust pipe gaskets for two cylinder heads. Rocker cover gaskets are not included in kits. See "S&S Rocker Cover Gasket Kit" chart to order separately.*

*\*NOT LEGAL FOR SALE OR USE IN CALIFORNIA ON ANY POLLUTION CONTROLLED MOTOR VEHICLE. NOT LEGAL FOR SALE OR USE NATIONWIDE ON ANY FEDERAL POLLUTION CONTROLLED MOTOR VEHICLE UNDER THE CLEAN AIR ACT*

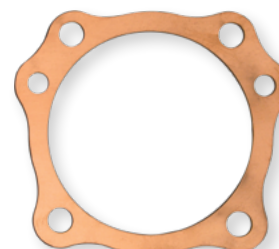
HEAD GASKETS FOR S&S® ENGINES					
Bore Size	Thickness	Description	QTY	Part #	MSRP
4 3/8"	.045"	Copper	2 pack	<b>93-1081</b>	<b>\$132.95</b>
4 1/8" Stock Bolt Pattern with Twin Cooled™ Heads	.045"	Layered Steel	each	<b>900-0608</b>	<b>\$40.95</b>
			2 pack	<b>93-1091-S</b>	<b>\$40.95</b>
4 1/8" Stock Bolt Pattern	.043"	Layered Steel	each	<b>930-0102</b>	<b>\$82.95</b>
			2 pack	<b>900-0217</b>	<b>\$91.95</b>
4 1/8" Stock Bolt Pattern with Twin Cooled™ Heads	.030"	Layered Steel	2 pack	<b>900-0609</b>	<b>\$81.95</b>
4" Stock Bolt Pattern	.043"	Graphite	each	<b>93-1043-S</b>	<b>\$19.95</b>
4" Stock Bolt Pattern	.045"	Layered Steel	2 pack	<b>900-0822</b>	<b>\$91.95</b>
4" Stock Bolt Pattern with Twin Cooled Heads	.040"	Layered Steel	each	<b>930-0115</b>	<b>\$50.95</b>
4" Stock Bolt Pattern	.030"	Layered Steel	2 pack	<b>900-0821</b>	<b>\$82.95</b>
3 7/8", 3.927", & 3.937" Stock Bolt Pattern with Twin Cooled Heads	.030"	Layered Steel	2 pack	<b>900-0605</b>	<b>\$82.95</b>
3 7/8", 3.927", & 3.937" including Twin-Cooled Heads	.045"	Layered Steel	2 pack	<b>900-0862</b>	<b>\$91.95</b>
4 7/16"	.045"	Layered Steel	2 pack	<b>900-0762</b>	<b>\$81.95</b>



Micropore



Viton® O-ring



Copper



Layered Steel



90-9505

MB

2007-17  
TWIN CAM  
96°/103°/110°

1999-'06  
TWIN CAM  
88°

SPORTSTER, STREET,  
NIGHTSTER, STREET ROD  
& BUELL

TOOLS &  
SHOP  
SUPPLIES

WARRANTY &  
COMPANY  
POLICY

APPENDIX

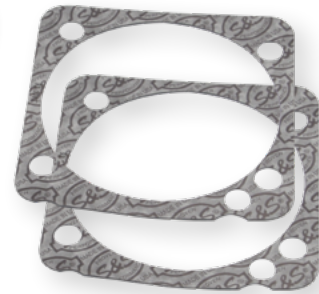


2007-17  
TWIN CAM  
96"/103"/110"

BASE GASKETS AND O-RINGS S&S® T-SERIES 1999-UP					
Bore Size	Thickness	Description	QTY	Part #	MSRP
4"	.018"	Graphite	each	93-1050-S	\$10.95
4 1/8" S&S Bolt Pattern	.018"		each	93-1048-S	\$11.95
			2 pack	930-0099	\$16.95
			10 pack	93-1074	\$71.95
4 3/8"	.018"	Micropore	2 pack	93-1082	\$19.95
4 1/8" Stock Bolt Pattern	.018"		each	93-1092-S	\$15.95
			2 pack	930-0101	\$24.95
			10 pack	93-1921	\$101.95
			2 pack	900-0783	\$29.95
4.425"	.018"	Viton O-ring	each	50-8049	\$11.95
4"	.103"		each	50-8048 11256	\$9.95
3 3/4", 3 7/8", 3.927", 3.937"	.103"				



106-5029



93-1082



90-4097\*

EXHAUST GASKETS			
1984-'12 big twins	each	106-5029 65324-83B, 65324-83A	\$7.95
	10 pack	93-1072	\$71.95

ROCKER COVER GASKET KITS			
Rocker Cover Style	Head Type	Part #	MSRP
S&S Die-cast	S&S Heads	90-4111	\$71.95
Stock 1999-2017, except 2017 touring models	Stock or S&S Heads	90-4097*	\$144.95
Stock 1999-2017, except 2017 touring models	Stock heads	900-0534	\$101.95

*All kits include gaskets for two rocker covers.  
\*Kit contains bottom rocker gaskets for stock, S&S 79cc, & S&S 89cc heads*



90-4071

DIE CAST ROCKER BOXES			
Gasket, bottom rocker cover, 4 1/8", 1984-up	each	90-4071-S	\$12.95
	2 pack	90-4071	\$20.95
	10 pack	90-4099	\$91.95

VALVE GUIDE SEALS			
Valve Stem Oil Seal, Hat Style	each	900-0590 18094-02	\$12.95
Valve Guide Seal	each	106-5688	\$8.95
Valve, Umbrella	each	900-0495 26858-99	\$8.95
Filter, Breather	each	900-0496 63815-99	\$7.95



900-0496



106-5688

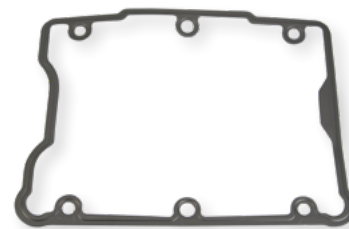


STOCK ROCKER BOXES			
O-ring, (-114), .625" ID x .812" OD, Black, Viton®			<b>50-8033</b> 11270 <b>\$6.95</b>
Gasket, bottom rocker cover, 4 1/8", 1984-up	each	<b>90-4071-S</b> 16719-99B	<b>\$12.95</b>
	2 pack	<b>90-4071</b>	<b>\$20.95</b>
	10 pack	<b>90-4099</b>	<b>\$91.95</b>
Gasket, Breather Cover, Stock Pattern	1999-10	each <b>90-4077</b> 17591-99, 17162-03, 17592-99	<b>\$7.95</b>
	2011-17	each <b>900-0415</b>	<b>\$14.95</b>
Gasket, Breather Baffle, Stock Pattern	1999-10	each <b>90-4078</b> 17162-03, 17592-99	<b>\$7.95</b>
	2011-17	each <b>900-0416</b>	<b>\$12.95</b>
Gasket, Rocker Cover, Steel, 1999-up bt	each	<b>90-4096-S</b> 17386-99A	<b>\$17.95</b>
Gasket, Bottom, Rocker Cover, S&S® Heads w/Stock Rocker Box, 1999-up bt	each	<b>90-4124</b>	<b>\$21.95</b>
	2 pack	<b>90-4120</b>	<b>\$40.95</b>

LOWER END GASKETS AND SEALS			
Gear Cover gasket	each	<b>31-2032-S</b> 25244-99A	<b>\$12.95</b>
Tappet Cover gasket	each	<b>33-5303-S</b> 18635-99B	<b>\$8.95</b>
	2 pack	<b>33-5303-2</b> 18635-99B	<b>\$11.95</b>

PUSHROD O-RINGS			
O-ring, Kit, Pushrod Cover, 1984-99 bt		<b>93-4022</b>	<b>\$12.95</b>
Top O-ring	each	<b>50-8039</b> 11293, 11157, 11101, 11190	<b>\$6.95</b>
Middle O-ring	each	<b>50-8038</b> 11132A	<b>\$6.95</b>
Bottom O-ring	each	<b>50-8037</b> 11145A	<b>\$6.95</b>

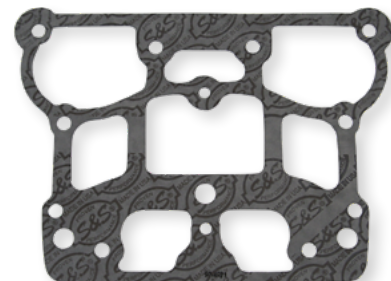
MISCELLANEOUS GASKETS			
O-Ring dowel kit		<b>500-0385</b>	<b>\$50.95</b>
O-Ring		<b>50-8138-S</b>	<b>\$6.95</b>
Sprocket Shaft seal		<b>31-4035</b> 12068	<b>\$20.95</b>
S&S Oil pump seal kit		<b>31-2097</b>	<b>\$31.95</b>
Oil Pump Scavenge o-ring	each	<b>50-8039</b> 11293, 11157, 11101, 11190	<b>\$6.95</b>
Case alignment dowel o-ring	each	<b>50-8034-S</b> 26432-76A	<b>\$9.95</b>
	2 pack	<b>50-8034</b> 26432-76A	<b>\$14.95</b>
Oil jet o-ring	each	<b>50-8270</b>	<b>\$6.95</b>
	5 pack	<b>50-8275</b>	<b>\$9.95</b>
Cam plate and oil line plate o-ring	each	<b>50-8066-S</b> 11301	<b>\$4.95</b>



90-4096-S



90-4124



90-4071-S



50-8275

MB

2007-17  
TWIN CAM  
96"/103"/110"

1999-'06  
TWIN CAM  
88"

SPORTSTER, STREET,  
NIGHTSTER, STREET ROD  
& BUELL

TOOLS &  
SHOP  
SUPPLIES

WARRANTY &  
COMPANY  
POLICY

APPENDIX



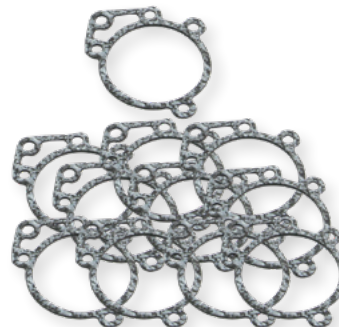
2007-17  
TWIN CAM  
96"/103"/110"

MANIFOLD SEALS			
S&S Manifold O-Ring	each	<b>16-0235</b>	<b>\$11.95</b>
	10 pack	<b>16-0243</b>	<b>\$61.95</b>
Stock Manifold O-ring	each	<b>16-0236</b> 26995-86B, 26995-86A, 26992-99	<b>\$10.95</b>
	10 pack	<b>16-0244</b> 26995-86A, 26992-99, 26995-86B	<b>\$60.95</b>
Cap, rubber, manifold, fitting	each	<b>50-8372</b>	<b>\$6.95</b>



16-0244

CLASSIC TEARDROP AIR CLEANER				
Backplate gasket	each	<b>106-1724</b>	<b>\$8.95</b>	
	10 pack	<b>106-2328</b>	<b>\$40.95</b>	
Vent seal washers Silicone Coated Steel	½"	each	<b>50-7055</b>	
		10 pack	<b>50-7057</b>	
	¾"	each	<b>50-7054</b>	<b>\$7.95</b>
		10 pack	<b>50-7059</b>	<b>\$17.95</b>



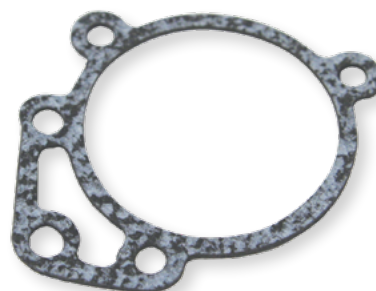
106-2328

STEALTH AIR CLEANER			
Backplate gasket		Part #	MSRP
Stock CV Carb & EFI Throttle Body, 1991-up xl/bt (except Throttle by Wire)		<b>106-6022</b> 29062-95B	\$8.95
Super E/G	each	<b>106-1724</b>	<b>\$8.95</b>
	10 pack	<b>106-2328</b>	<b>\$40.95</b>
Vent seal washers Silicone Coated Steel, .380" x .880" x .024"	each	<b>50-7054</b>	<b>\$7.95</b>
	10 pack	<b>50-7059</b>	<b>\$17.95</b>



50-7059

SINGLE BORE TUNED INDUCTION			
Backplate gasket		Part #	MSRP
Gasket, Backplate - E/G/SBEFI	each	<b>106-1724</b>	<b>\$8.95</b>
	10 pack	<b>106-2328</b>	<b>\$40.95</b>
Gasket, S&S SBEFI 58mm		<b>106-4662</b>	<b>\$10.95</b>
Gasket, Stock carb/Throttle Body		<b>106-6022</b> 29062-95B	<b>\$8.95</b>
Adaptor plate gasket		<b>17-1022</b>	<b>\$10.95</b>
Adaptor plate bracket o-ring	each	<b>50-0446</b>	<b>\$8.95</b>



106-1724

SINGLE BORE EFI THROTTLE BODY			
Backplate gasket		Part #	MSRP
52mm	each	<b>106-1724</b>	<b>\$8.95</b>
	10 pack	<b>106-2328</b>	<b>\$40.95</b>
58mm	each	<b>106-4662</b>	<b>\$10.95</b>
O-ring, throttle body to manifold		<b>50-7967-S</b>	<b>\$7.95</b>
Air Temp Sensor gasket		<b>16-5009-S</b>	<b>\$9.95</b>
IAC o-ring		<b>50-8149-S</b>	<b>\$6.95</b>
Fuel injector o-ring top		<b>50-8264-S</b>	<b>\$7.95</b>
Fuel injector o-ring bottom		<b>50-8265-S</b>	<b>\$7.95</b>
Fuel rail inlet o-ring	each	<b>50-8137-S</b> 27237-95	<b>\$6.95</b>



106-1724



M8

2007-17  
TWIN CAM  
96"/103"/110"

1999-'06  
TWIN CAM  
88"

SPORTSTER, STREET,  
NIGHTSTER, STREET ROD  
& BUJEL

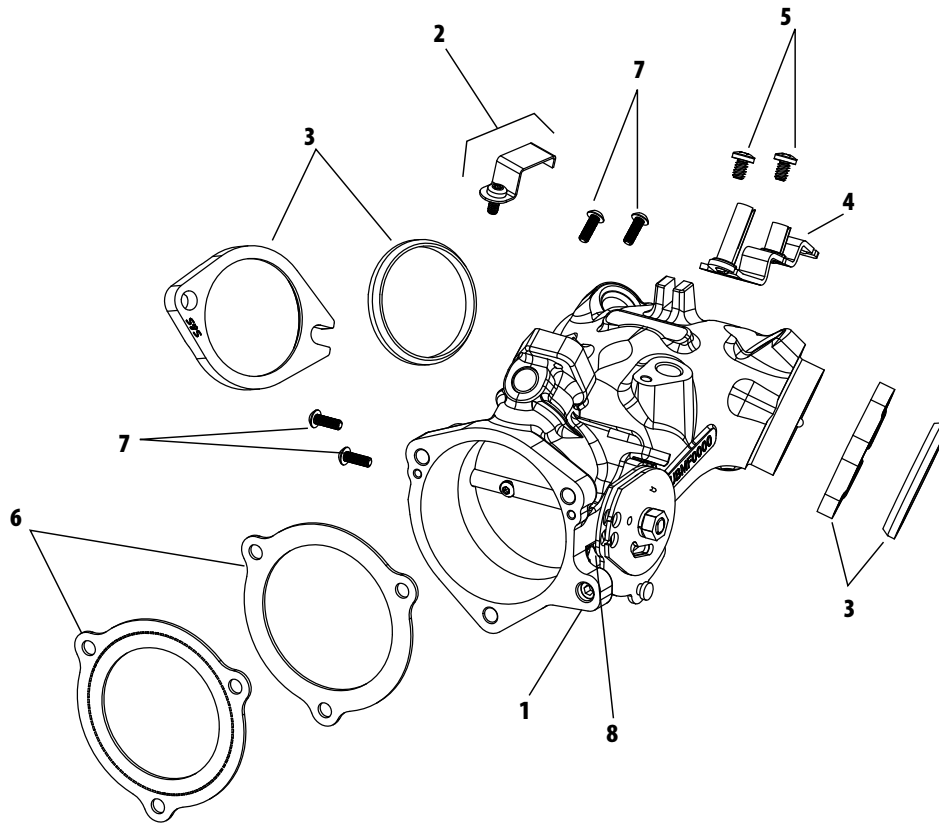
TOOLS &  
SHOP  
SUPPLIES

WARRANTY &  
COMPANY  
POLICY

APPENDIX

## Replacement Parts

1. Throttle Body, Assembly, Cable Operated .....	N/A	-
2. Clamp, Kit, Hold-Down, MAP Sensor .....	160-0169	\$14.95
3. Flange, Set, Packaged, 2006-Up bt. ....	160-0168	\$101.95
4. Guide, Assembly, Throttle Cable .....	160-0113	\$120.95
5. Screw, PH Panhead, 10-24 x 5/16", Zinc, Steel .....	50-0093-S	\$6.95
6. Gasket, Throttle Body,		
58mm. ....	160-0050	\$8.95
66mm. ....	160-0035	\$8.95
7. Screw, Torx, M4 x 12mm, Zinc, Steel .....	50-0358-S	\$4.95
8. Throttle Return Spring .....	160-0119	\$12.95
9. Throttle Cable Spool .....	160-0120	\$61.95
10. Throttle Shaft Nut .....	11-2350	\$7.95



**6.2 g/s FUEL INJECTORS for  
2006-2017 Cable-operated Throttle Hogs 550-0749\$214.95**

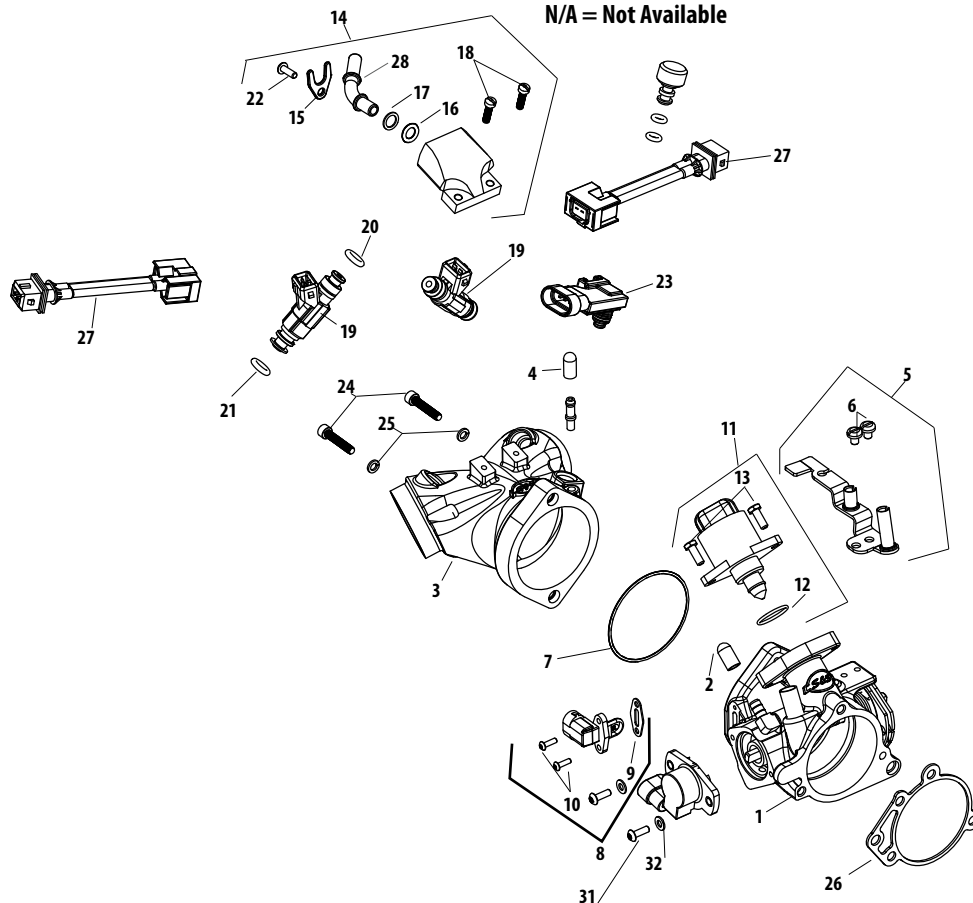


2007-17  
TWIN CAM  
96"/103"/110"



1. Throttle body 52mm, 2006-'16 bt (N/S) ..... <b>16-5153</b> \$479.95 58mm, 2006-'16 bt (N/S) ..... <b>106-3957</b> \$472.95	18. Screw, rail, 1995-'16 (each) ..... <b>50-0039</b> \$6.95 10 Pack ..... <b>50-0146</b> \$9.95
2. Cap, canister purge (each) ..... <b>50-8266-S</b> \$9.95	19. Fuel injector (each) ..... <b>55-5052A</b> \$193.95 2 Pack ..... <b>55-5052</b> \$316.95
3. Manifold (page 132)	20. O-ring, injector top, black ..... <b>50-8264-S</b> \$7.95
4. Cap, rubber, manifold, fitting ..... <b>50-8372</b> \$6.95	21. O-ring, injector bottom, orange ..... <b>50-8265-S</b> \$7.95
5. Throttle cable guide packet with hardware ..... <b>55-5084</b> \$50.95	22. Screw, fuel rail (each) ..... <b>50-0358-S</b> \$4.95
6. Screw, cable guide & air cleaner backplate (each) ..... <b>50-0041</b> \$6.95 10 pack ..... <b>50-0062</b> \$9.95	23. MAP sensor 32424-98, 32416-10, 32417-10 ..... <b>55-1090</b> \$172.95
7. O-ring, throttle body to manifold 27270-95 ..... <b>50-7967-S</b> \$7.95	24. Screw, throttle body to manifold (each) ..... <b>50-0359-S</b> \$4.95
8. Intake air temperature sensor with hardware 27270-95 ..... <b>55-5041±</b> \$109.95	25. Washer, lock, #10, throttle body to manifold ..... <b>50-7000</b> \$4.95
9. Gasket, IAT ..... <b>16-5009-S</b> \$9.95	26. Gasket, backplate 52mm (each) ..... <b>106-1724</b> \$8.95 10 pack ..... <b>106-2328</b> \$40.95 58mm (each) ..... <b>106-4662</b> \$10.95
10. Screw, M3, IAT ..... <b>50-0357-S</b> \$4.95	27. Harness, injector adapter kit 1995-'05 ..... <b>55-5074</b> \$25.95 2006-'16 (N/S) ..... <b>55-5209</b> \$24.95
11. Idle air control motor SS EFI with hardware ..... N/A	28. Fuel inlet tube 45°, 2002-'16 27221-95 ..... <b>50-0485</b> \$30.95
12. O-ring, IAC ..... N/A	29. Spacer, throttle position – 2002-'16 (N/S) ..... <b>55-5201</b> \$13.95
13. Screw, Idle air control motor 2006-'16 (each) ..... <b>50-0358-S</b> \$4.95	31. Screw, Torx, M4 x 12mm, Zinc, Steel ..... <b>50-0358-S</b> \$4.95
14. Fuel rail kit 2006-'16 (Fuel inlet tube not included.) ..... <b>16-5202</b> \$141.95	32. Washer, Flat, 4mm x 9mm x .9mm, Stainless Steel ..... <b>50-7145-S</b> \$6.95
15. Tube clip, fuel rail inlet 2001-'16 (each) ..... <b>50-0391-S</b> \$13.95	
16. O-ring, fuel rail inlet, 2001-'16 27237-95 (each) ..... <b>50-8137-S</b> \$6.95	
17. Backing washer, fuel rail inlet, 2001-'15 ..... <b>50-0349-S</b> \$4.95	

(N/S) = Not Shown  
N/A = Not Available



± WARNING: Cancer and Reproductive Harm – www.P65Warnings.ca.gov

AMB  
2007-17 TWIN CAM 96"/103"/110"  
1999-06 TWIN CAM 88"  
SPORTSTER, STREET, NIGHTSTER, STREET ROD & BUELL  
TOOLS & SHOP SUPPLIES  
WARRANTY & COMPANY POLICY  
APPENDIX



2007-11  
TWIN CAM  
96"/103"/110"

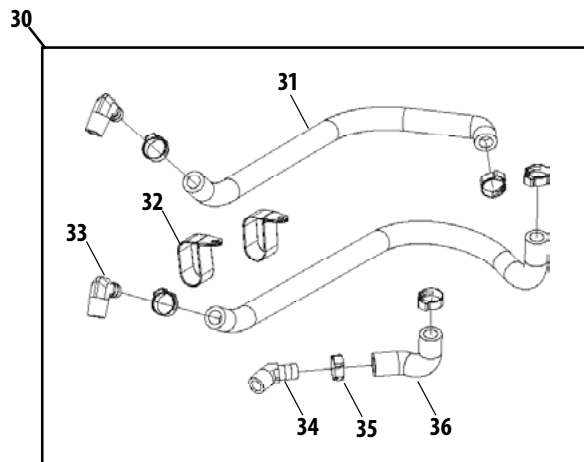
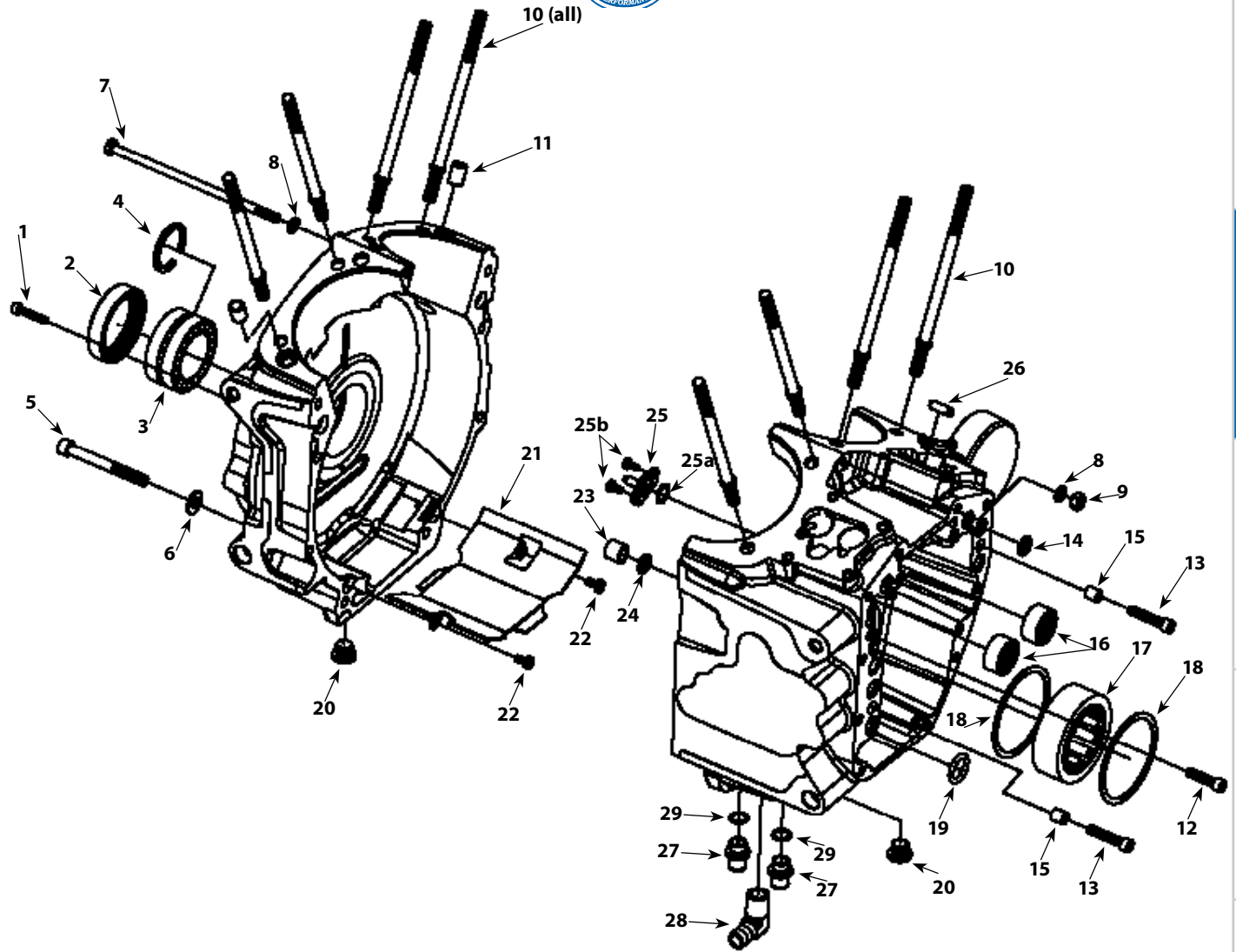
- |   |                  |          |  |                        |          |
|---|------------------|----------|--|------------------------|----------|
| 1. Bolt, stator 10-24 x 1" SHC - 4 required 2720                                | <b>50-0044</b>   | \$6.95   | 19. O-ring, oil pump 1 1/16" I.D. x 15/16" O.D. x 1/8" CS 11293, 11157, 11101, 11190 |                        |          |
| 2. Seal, sprocket shaft 12068   | <b>31-4035</b>   | \$20.95  | <i>each</i>  | <b>50-8039</b>         | \$6.95   |
| 3. Bearing, Timken® sprocket shaft 9028   | <b>31-4013</b>   | \$102.95 | 20. Plug, magnetic drain   | <b>50-8335</b>         | \$17.95  |
| 4. Timken Main Bearing Spacers  |                  |          | 21. Baffle plate   | <b>31-0119-S</b>       | \$19.95  |
| Fits 1 1/4" stock diameter shaft.   |                  |          | 22. Screw 10-24 x 3/8" pan head - 2 required   |                        |          |
| .0995" - .1005" 9124  | <b>31-4071</b>   | \$17.95  | <i>(each)</i>  | <b>50-0050</b>         | \$6.95   |
| .1015" - .1025" 9125  | <b>31-4072</b>   | \$17.95  | 23. Dowel, case alignment - 2 required 16574-99A, 16573-83, 16573-83A                |                        |          |
| .1035" - .1045" 9126  | <b>31-4073</b>   | \$53.95  | <i>(each)</i>  | <b>50-8023</b>         | \$7.95   |
| .1055" - .1065" 9127  | <b>31-4074</b>   | \$17.95  | 10 pack  | <b>50-8109</b>         | \$27.95  |
| .1075" - .1085" 9128  | <b>31-4075</b>   | \$17.95  | 24. O-ring, case alignment - 2 required 26432-76A                                    |                        |          |
| .1195" - .1205" 9134  | <b>31-4076</b>   | \$13.95  | 9/16" I.D. x 1 1/16" O.D. x 1/6" CS <i>(each)</i>                                    | <b>50-8034-S</b>       | \$9.95   |
| 5. Bolt, case 5/16" - 18 x 3/12" HHC - 8 required                               |                  |          | 2 pack   | <b>50-8034</b>         | \$14.95  |
| Chrome <i>(each)</i>  | <b>50-0254-S</b> | \$10.95  | 25. Jet, Assembly, Piston Cooling  | <b>310-064731-2026</b> | \$71.95  |
| Zinc 3427 <i>(each)</i>   | <b>50-0117</b>   | \$6.95   | 25a. O-ring, (-014), .500" ID x .625" OD 11140, 11273                                |                        |          |
| 6. Washer, flat 5/16" x 1 1/16" x 1/16" - 8 required 6320, 70907-07, 6016, 6702 |                  |          | <i>(each)</i>  | <b>50-8270</b>         | \$6.95   |
| <i>each</i>   | <b>50-7034</b>   | \$4.95   | 10 pack  | <b>50-8130</b>         | \$10.95  |
| 7. Bolt center case Screw, HHC, Gr8, 1/4-28 x 5-1/2", Zinc, Steel               |                  |          | 25b. Screw, Torx Panhead, 8-32 x 3/8", Zinc, Steel 68042-99                          |                        |          |
| <i>each</i>   | <b>50-0090</b>   | \$7.95   | <i>(each)</i>  | <b>50-0054-S</b>       | \$4.95   |
| 8. Washer, flat, 1/4" x .474" x .050"   |                  |          | 26. Pin Dowel, 2 pack  | <b>50-8195</b>         | \$9.95   |
| <i>each</i>   | <b>50-7020</b>   | \$6.95   | 27. Fitting, crankcase vent, 2 pack  | <b>50-0443</b>         | \$17.95  |
| 9. Nut 1/4"-28 Grade 8 - 1 required 7683  | <b>50-5011</b>   | \$4.95   | 28. Fitting Pipe, 90°, Bared Male Pipe 3/8   | <b>50-8288</b>         | \$40.95  |
| 10. Cylinder stud, S&S® Bolt Pattern, 6.070" - 8 required                       |                  |          | 29. O-ring, -13, .437 ID, X .565 OD, Viton 11105, 11273                              | <b>50-8008</b>         | \$6.95   |
| <i>each</i>   | <b>31-2325-S</b> | \$12.95  | 30. Installation Kit, Oil Line, 2007-16 FL   | <b>310-0435±</b>       | \$193.95 |
| 8 pack  | <b>31-2340</b>   | \$61.95  | Installation Kit Includes:   |                        |          |
| Cylinder stud, Stock Bolt Pattern, 6.312" - 8 required                          |                  |          | 31. Hose, Oil Line, .500" x .750" x 24"  | <b>500-0223</b>        | \$71.95  |
| <i>each</i>   | <b>310-0437</b>  | \$10.95  | 32. Clamp, Hose, Pinch Style, 812" OD Hose   | <b>500-0241</b>        | \$60.95  |
| 11. Pin, Dowel, .4377" x .500", Steel   | <b>500-0218</b>  | \$9.95   | 33. Fitting Pipe, 90°, Bared Male Pipe 3/8   | <b>50-8288</b>         | \$40.95  |
| 12. Bolt, cam plate 1/4" - 20 x 1" SHC - 4 required 852                         |                  |          | 34. Fitting, Pipe, 45°, Male, 3/8 NPT x .500", Brass                                 | <b>500-0226±</b>       | \$21.95  |
| <i>each</i>   | <b>50-0084</b>   | \$6.95   | 35. Clamp, Hose, Pinch Style, 45/64" - 53/64"  | <b>50-0378-S</b>       | \$4.95   |
| 13. Bolt, cam plate 1/4" - 20 x 1 1/4" SHC - 2 required 4740A, 3482A            |                  |          | 36. Hose, Oil Line, Feed, Formed, .500" ID, 2007-up Touring                          | <b>310-0350</b>        | \$27.95  |
| <i>each</i>   | <b>50-0008</b>   | \$6.95   |  |                        |          |
| 14. O-ring, cam plate - 9 required 11301 <i>(each)</i>                          | <b>50-8066-S</b> | \$4.95   |  |                        |          |
| 15. Dowel, cam plate - 2 required 16589-99A                                     | <b>50-8148-S</b> | \$8.95   |  |                        |          |
| 16. Bearing, Inner, Needle, Cam, 1.0" x 1.25" x .50" 9215                       | <b>31-4199-S</b> | \$21.95  |  |                        |          |
| 17. Bearing, pinion shaft - Fits all S&S and OEM 2000-'02                       |                  |          |  |                        |          |
| (Balanced models only) & all OEM 2003-up  |                  |          |  |                        |          |
| 24604-00D   | <b>31-4085</b>   | \$97.95  |  |                        |          |
| 18. Retaining Ring, Internal, 25/8", Black, Carbon Steel 2 required             |                  |          |  |                        |          |
| <i>each</i>   | <b>310-0730</b>  | \$9.95   |  |                        |          |

(N/S) = Not shown



⚠️ WARNING: Cancer and Reproductive Harm - www.P65Warnings.ca.gov





MB

2007-17  
TWIN CAM  
96"/103"/110"

1999-'06  
TWIN CAM  
88"

SPORTSTER, STREET,  
NIGHTSTER, STREET ROD  
& BUELL

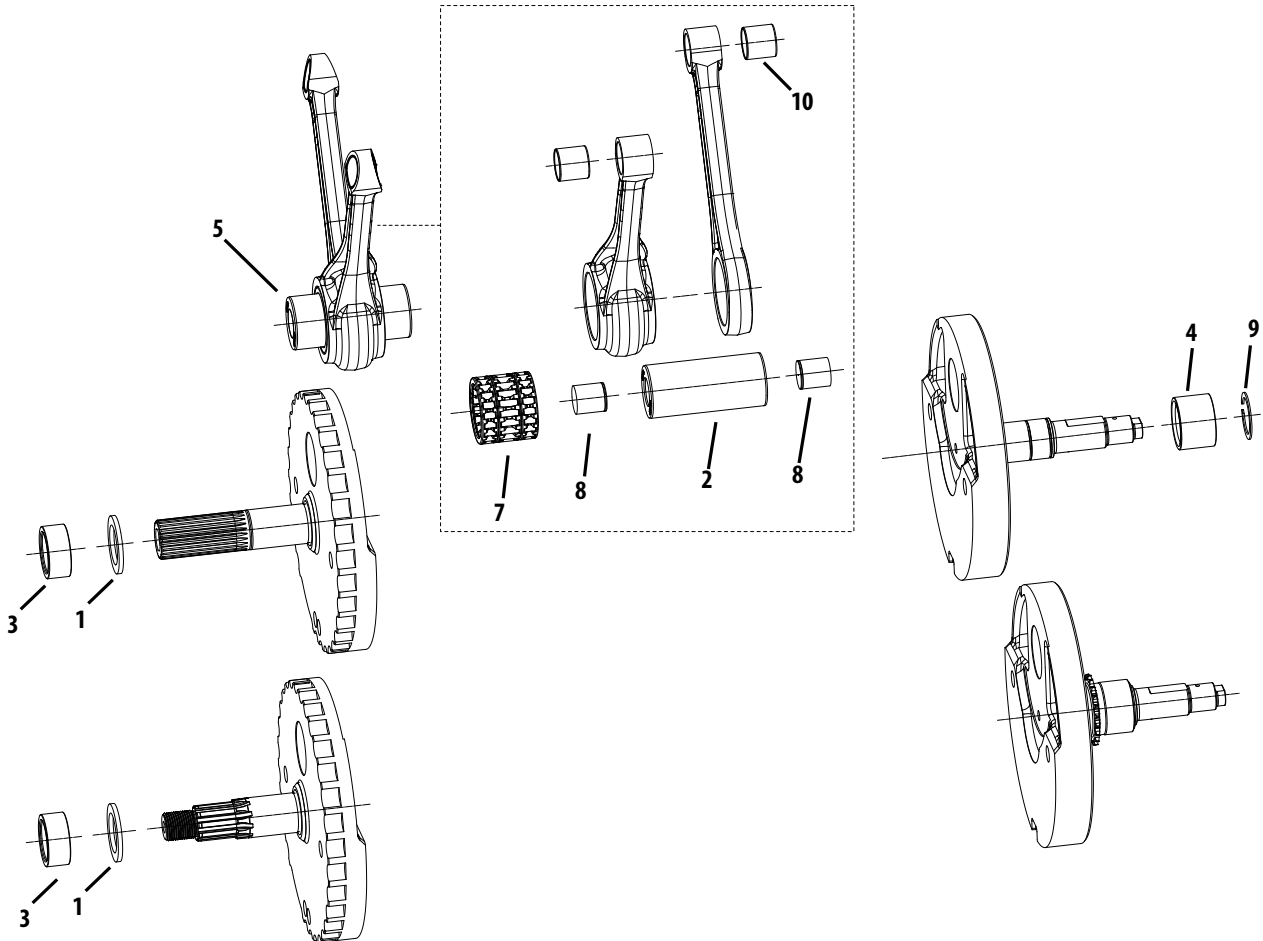
TOOLS &  
SHOP  
SUPPLIES

WARRANTY &  
COMPANY  
POLICY

APPENDIX

insert

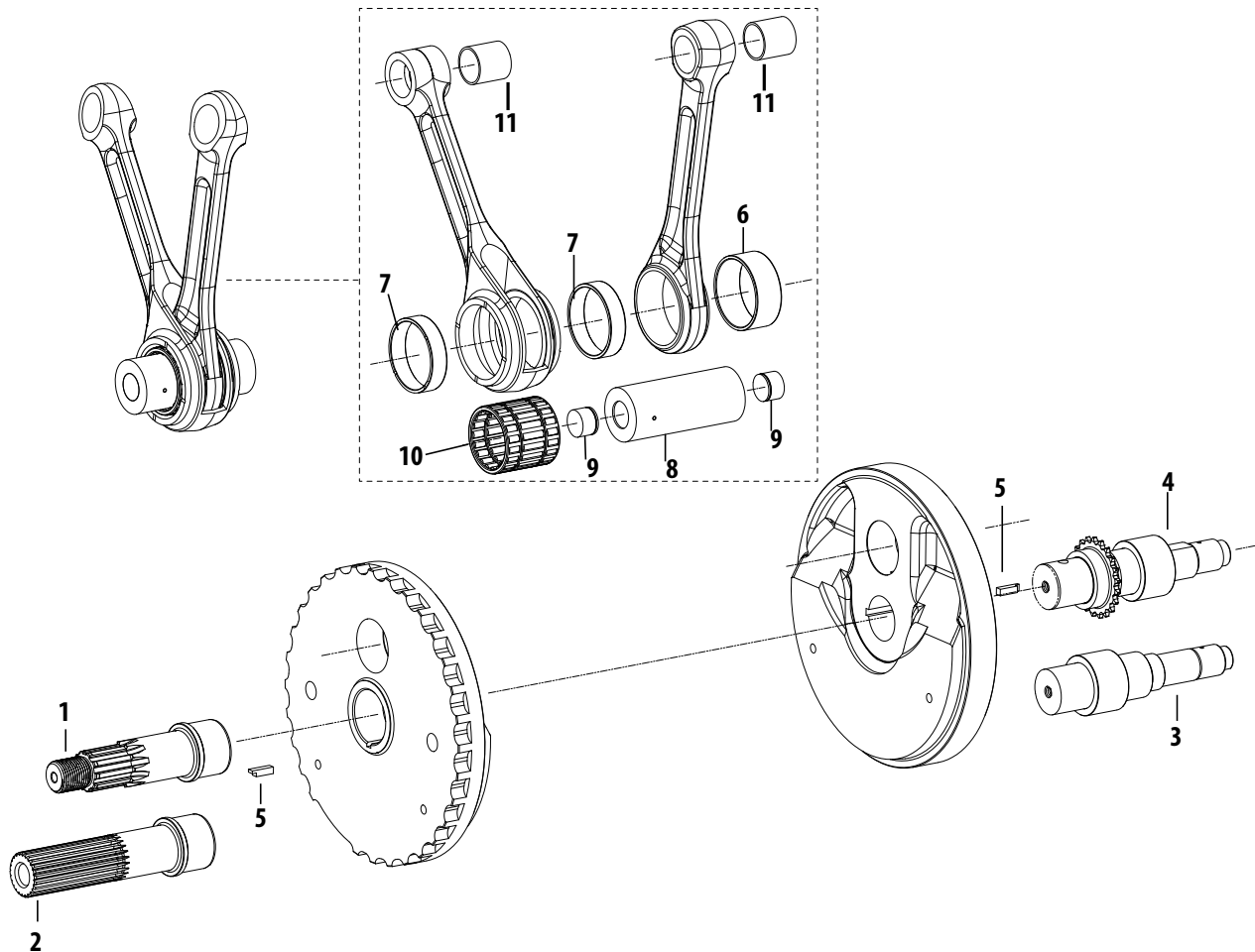
- |   |  |
|---|--|
| 1. Washer, Flywheel, Thrust, 1.25" x 1.83" x .136", Hardened Steel<br>..... <b>320-0198</b> \$25.95             | Connecting Rod Set, Full Wristpin, 7.800", T143 ..... <b>340-0128</b> \$754.95   |
| 2. Crankpin, Press-In, Straight, 1.671", 1999-Up bt (includes plugs)<br>Standard ..... <b>340-0069</b> \$152.95 | Connecting Rod, Set, Tapered Wristpin, 7.659" ..... <b>340-0061</b> \$662.95   |
| + .001 ..... <b>340-0070</b> \$205.95   | 7. Bearing, Set, Rod, Standard ..... <b>310-0752</b> \$163.95  |
| + .002 ..... <b>340-0071</b> \$169.95   | 8. Plug, Drive, .8965" x .850", Steel, Fatigue Proof<br>2 pack ..... <b>500-0187</b> \$31.95   |
| 3. Race, Inner, Left Main Bearing,<br>1.25" x 1.65" x .713", Hardened Steel ..... <b>340-0076</b> \$52.95       | 9. Retaining Ring, External, Pinion Bearing, 1.160" x 1.480" x .046"<br>Carbon Steel, SAE 1060-1090 11177A ..... <b>50-8057</b> \$4.95 |
| 4. Race, Inner, Right Main Bearing,<br>1.25" x 1.65" x 1.120", Hardened Steel ..... <b>340-0077</b> \$53.95     | 10. Bushing, Wristpin, .928", Bronze each ..... <b>340-0024</b> \$11.95  |
| 5. Connecting Rod, Set, Full Width Wristpin, 7.575", 120R. <b>340-0062</b> \$662.95                             |  |
| Connecting Rod, Set, Full Width Wristpin, 7.659" ..... <b>340-0074</b> \$622.95                                 |  |



2007-17  
TWIN CAM  
96"/103"/110"



1. Sprocket Shaft, 1999-2006 bt (includes key #5).....	N/A	—	9. Crankpin Plug (each) .....	106-5256	\$9.95
2. Sprocket Shaft, 2006 Dyna®, 2007-2012 bt .....	33-2011	\$267.95	2 pack .....	50-8329-2	\$13.95
3. Pinion Shaft, 1999-2012 bt (includes key #5).....	N/A	—	10. Bearing Assembly.....	340-0028	\$193.95
4. Pinion Shaft, 2000-2012 w/balancer (includes key #5) .....	N/A	—	11. Wristpin Bushing, 1999-2012 bt, straight bushing .....	USA 34-4012	\$12.95
5. Key (each) .....	50-8227	\$8.95			
6. Front Rod Race, 1999-2012.....	USA 34-4008	\$40.95			
7. Rear Rod Race .....	USA 34-4013	\$39.95			
8. Crankpin Standard .....	106-6239	\$173.95			
+ .001.....	340-0017	\$156.95			
+ .002.....	340-0018	\$173.95			



**NOTE:**

S&S flywheels for Harley-Davidson® Twin Cam 88® and Twin Cam 96™ engines are pressed together as opposed to using the traditional tapered shafts and crankpin. Assembly and truing requires special equipment.

MB

2007-17  
TWIN CAM  
96"/103"/110"

1999-'06  
TWIN CAM  
88"

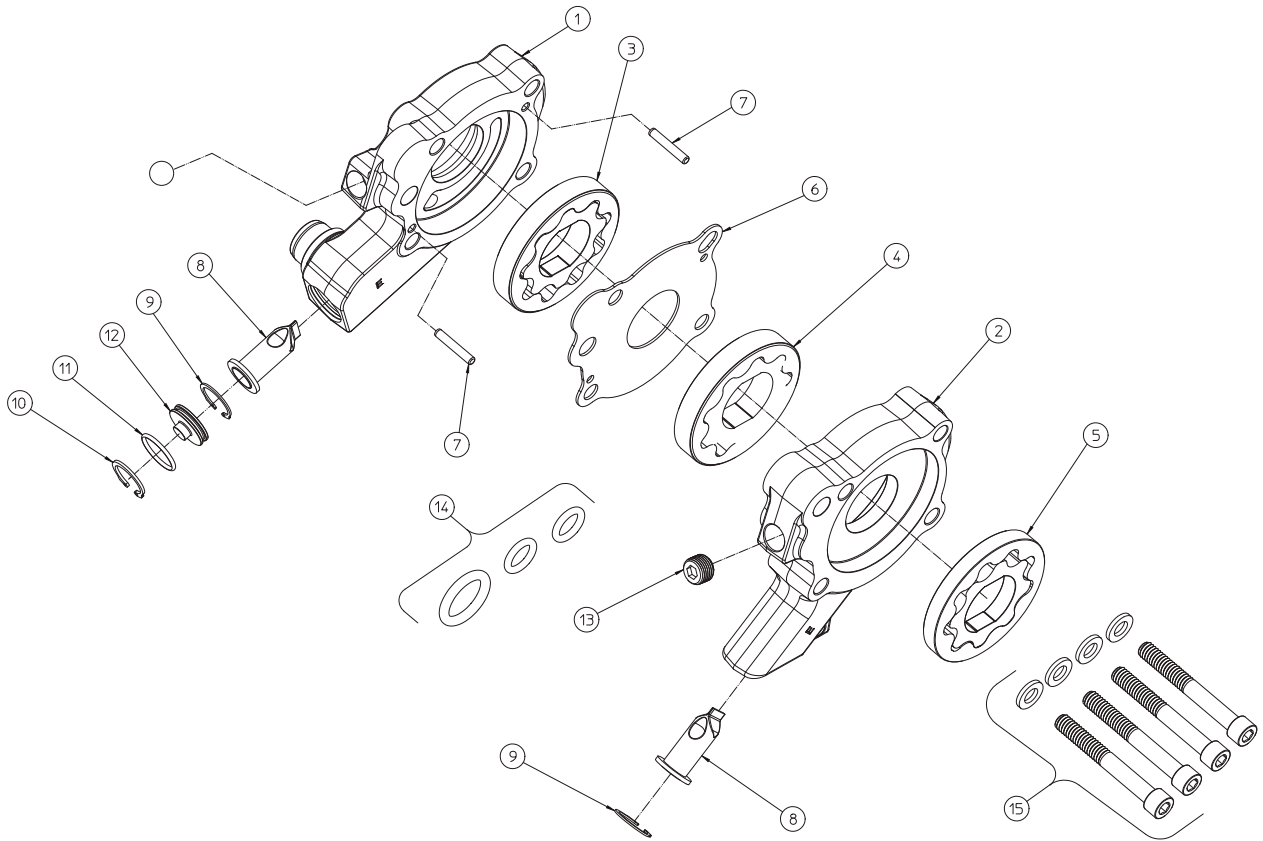
SPORTSTER, STREET,  
NIGHTSTER, STREET ROD  
& BUELL

TOOLS &  
SHOP  
SUPPLIES

WARRANTY &  
COMPANY  
POLICY

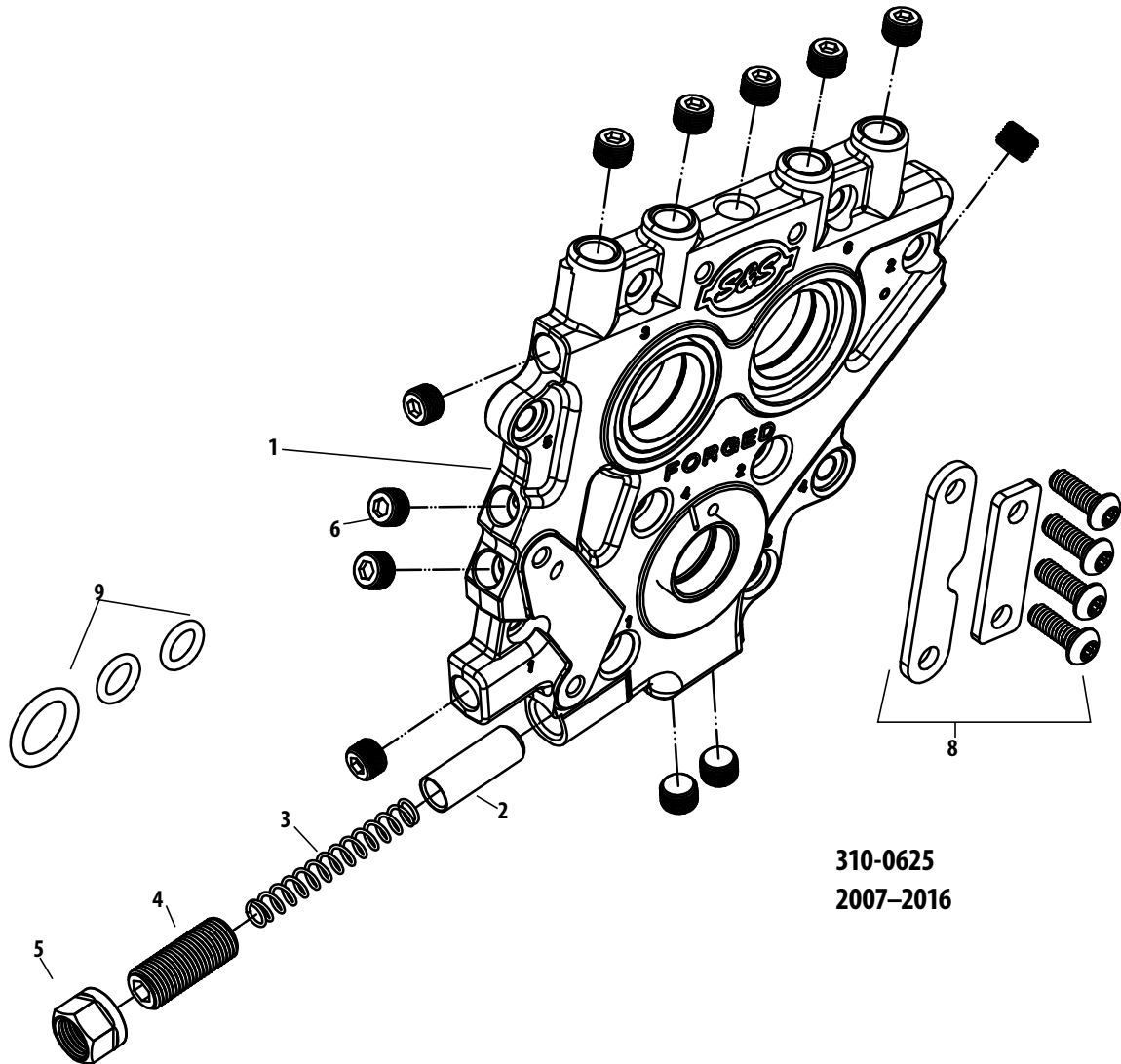
APPENDIX

2007-17  
TWIN CAM  
96"/103"/110"



- 1. Oil pump body case return section . . . . . **NA** -
- 2. Oil pump body cam chest return / pressure feed . . . . . **NA** -
- 3. Oil pump rotor set, flywheel cavity return . . . . . **310-1092** \$71.95
- 4. Oil pump rotor set, cam chest cavity return . . . . . **310-1048** \$61.95
- 5. Oil pump rotor set, supply . . . . . **310-0561** \$61.95
- 6. Plate, divider . . . . . **310-1145** \$11.95/\$4.95
- 7. Dowel Pin, .125 x .750 Hardened Steel . . . . . **106-3794** \$15.95
- 8. Debris screen . . . . . **310-0546** \$9.95
- 9. Internal Retaining Ring, .625 . . . . . **500-0860** \$9.95
- 10. Internal Retaining Ring, 17mm . . . . . **500-0859** \$14.95
- 11. O-ring, 1.5mm x 14mm, Viton (5 Pack) . . . . . **500-0861** \$11.95
- 12. Oil pump return plug . . . . . **310-0564** \$7.95
- 13. Plug, Pipe 1/8" 27 . . . . . **50-8331A** \$11.95
- 14. O-ring kit . . . . . **500-0326**
- 15. Screw, Kit, Oil Pump, 1999-Up BT  
(1/4" 20 x 2" SHCS w/washers) . . . . . **500-0327** \$11.95

- 1. Cam support plate ..... N/A -
- 2. Pressure relief valve ..... **31-6082-S** \$10.95
- 3. Pressure relief spring ..... **31-6018** \$6.95
- 4. Pressure relief adjusting screw ..... **170-0252** \$15.95
- 5. Pressure relief adjusting screw lock nut ..... **170-0251** \$12.95
- 6. 1/8" 27 taper pipe plug ..... **50-8331A** \$7.95
- 7. Bearing retention plate kit ..... **330-0015** \$13.95
- 8. Hydraulic tensioner block off kit ..... **106-5723** \$16.95
- 9. O-ring kit ..... **500-0326** \$11.95



310-0625  
2007-2016

MB

2007-17  
TWIN CAM  
96"/103"/110"

1999-'06  
TWIN CAM  
88"

SPORTSTER, STREET,  
NIGHTSTER, STREET ROD  
& BUELL

TOOLS &  
SHOP  
SUPPLIES

WARRANTY &  
COMPANY  
POLICY

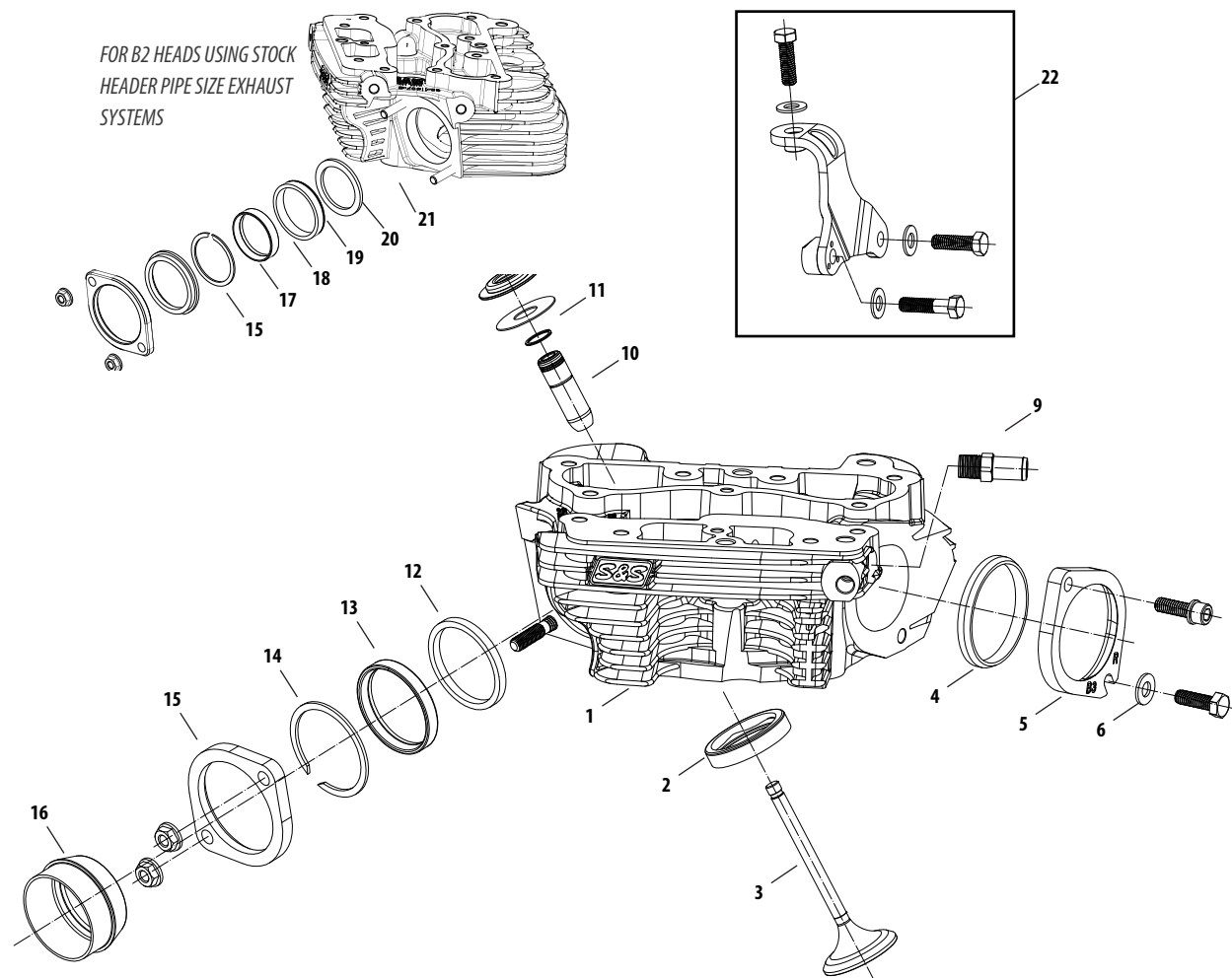
APPENDIX



## For S&S T143 Engines

1. Cylinder Heads Set, B3			
Black.....	<b>900-0803</b>	\$2,855.95	
Stone Gray.....	<b>900-0806</b>	\$2,855.95	
2. Seat, Blank, B3 Heads, 2.300"			
Intake.....	<b>900-0677</b>	\$40.95	
Exhaust.....	<b>90-2126-S</b>	\$50.95	
3. Valve			
Intake (2.300").....	<b>900-0678</b>	\$60.95	
Exhaust (1.800").....	<b>900-0679</b>	\$91.95	
4. Seal,Manifold,B2 Heads,2.250" x 2.520" x .290"	<b>16-0246-S</b>	\$27.95	
5. Flange, Set.....	<b>160-0091</b>	\$257.95	
Front.....	<b>160-0087</b>	\$121.95	
Rear.....	<b>160-0088</b>	\$121.95	
6. Washer,Flat,.344" x .688" x .065",Zinc,Steel.....	<b>50-7034</b>	\$4.95	
7. Bolt,Hex Head,Gr5,5/16-18 x 1",Zinc.....	<b>50-0108</b>	\$6.95	
8. Screw,SHCS,w/Flat Washer,5/16-18 x 1",Zinc.....	<b>50-0125-S</b>	\$6.95	
9. Fitting,Pipe,Straight,1/4-18 NPTF x 1.510" X .500",Zinc,Steel			
.....	<b>50-8158-S</b>	\$12.95	
10. Valve Guide, Intake, Powder Metal.....	<b>900-0780</b>	\$27.95	
11. Retaining Ring,External,Spiral,Heavy Duty,.525" x .035" x .050", Carbon Steel.....	<b>106-2164</b>	\$6.95	
12. Exhaust Gasket Backing Washer, 2.18" x 1.885" x .200".....	<b>550-0219</b>	\$31.95	
13. Exhaust Gasket, Tapered, Stainless Steel.....	<b>550-0221</b>	\$10.95	
14. Exhaust Flange Retaining Ring, 2.125" x .078".....	<b>50-8159-S</b>	\$10.95	
15. Exhaust Flange.....	<b>550-0223</b>	\$25.95	
16. Weld-On Exhaust Header Pipe.....	<b>550-0222</b>	\$40.95	
17. Exhaust Adapter Flange for Stock Header Pipe.....	<b>550-0224</b>	\$50.95	
18. Exhaust Flange Retaining Ring, 1.759" x .062".....	<b>550-0226</b>	\$10.95	
19. Exhaust Gasket, Tapered Stainless Steel.....	<b>106-5029</b>	\$7.95	
20. Press-in Aluminum Retaining Ring, 1984-up.....	<b>550-0225</b>	\$40.95	
21. Exhaust Gasket Backing Washer, 2.18" x 1.690" x .125".....	<b>550-0220</b>	\$31.95	
22. Head Mount Bracket Kit			
2008 T143.....	<b>900-0797</b>	\$71.95	
2009-up T143.....	<b>900-0798</b>	\$82.95	

### VALVE SPRING REPLACEMENT PARTS: PAGE 154

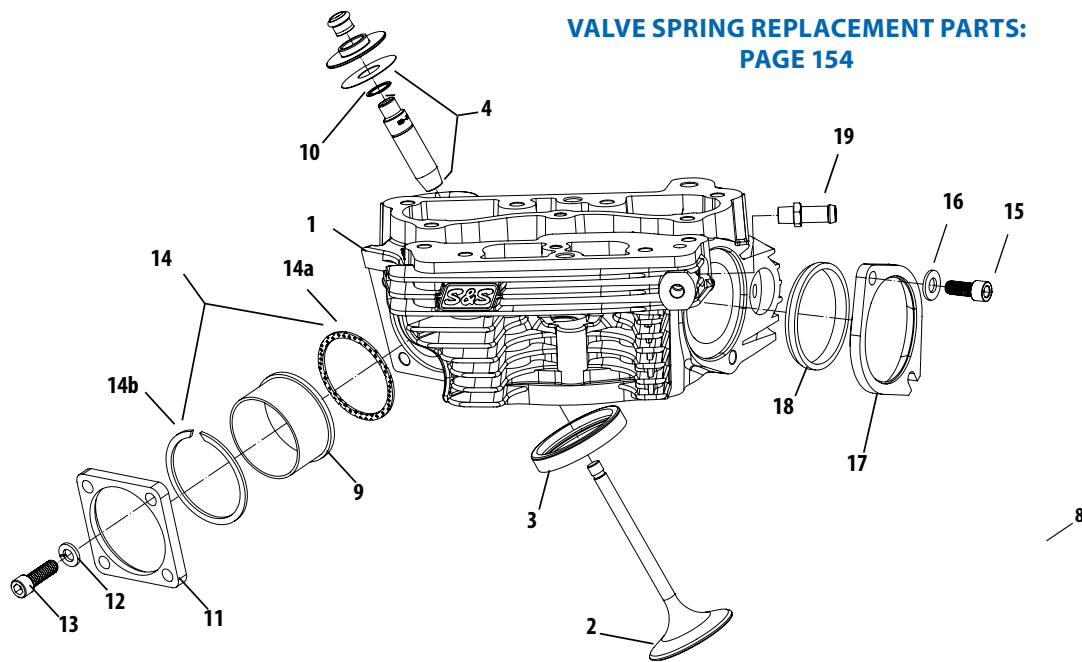


All reference to HD® Part # is for identification purposes only. We in no way are implying that any of S&S Cycle's products are original equipment parts or that they are equivalent to the corresponding HD® Part # shown.

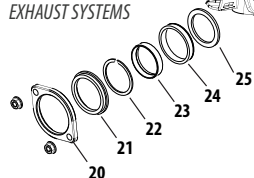


- |  |                  |          |
|--|------------------|----------|
| 1. Cylinder head – (page 125)  |                  |          |
| 2. Valve   |                  |          |
| Intake, 2.200" Dia. ....   | <b>90-2127</b>   | \$61.95  |
| Exhaust, 1.800" Dia. ....  | <b>90-2128</b>   | \$193.95 |
| 3. Valve Seat  |                  |          |
| Exhaust, 1.800" Dia. ....  | <b>90-2126</b>   | \$50.95  |
| Intake, 2.200" Dia. ....   | <b>90-2125</b>   | \$40.95  |
| 4. Valve guide, intake/exhaust, cast   |                  |          |
| STD. ....  | <b>900-0553</b>  | \$50.95  |
| +.030" ....  | <b>106-2170</b>  | \$145.95 |
| 9. Adaptor, Exhaust Flange. ....   | <b>55-6022</b>   | \$60.95  |
| 10. Snap ring (each) ....  | <b>106-2164</b>  | \$6.95   |
| 11. Flange, exhaust, front/rear. ....  | <b>55-6021</b>   | \$71.95  |
| 12. Washer, Lock, .332" x .583" x .078" ....   | <b>50-7032</b>   | \$4.95   |
| 13. Screw, SH, 5/16" - 18 x 1" 3201WA, 2708 ....   | <b>50-0101</b>   | \$4.95   |
| 14. Gasket, Kit, Exhaust, B2 Heads, SA. ....   | <b>90-1900</b>   | \$27.95  |
| Kit includes two each:   |                  |          |
| a. Gasket, exhaust pipe (each) ....  | <b>93-1083-S</b> | \$13.95  |
| 6 pack. ....   | <b>93-1083</b>   | \$81.95  |
| b. Retaining Ring. ....  | <b>N/A</b>       |          |
| 15. Screw, SH, 5/16" - 18 x 3/4" 3275 each. ....   | <b>50-0302-S</b> | \$4.95   |
| 16. Washer, 5/16" 6320, 70907-07, 6016, 6702) ....   | <b>50-7034</b>   | \$4.95   |
| 17. Manifold mounting flange   |                  |          |
| Front. ....  | <b>16-0247</b>   | \$81.95  |
| Rear. ....   | <b>16-0248</b>   | \$81.95  |
| 18. O-ring, manifold (each) ....   | <b>16-0246-S</b> | \$27.95  |
| 6 pack. ....   | <b>16-0246</b>   | \$142.95 |
| 19. Fitting, vent hose, 1/8"-27 pipe ....  | <b>50-8115</b>   | \$9.95   |
| 20. Exhaust Flange, 1984-up S&S® B2 Heads ....   | <b>550-0223</b>  | \$25.95  |
| 21. Exhaust Adapter Flange for Stock Header Pipe,<br>1984-up S&S® B2 Heads ....                  | <b>550-0224</b>  | \$50.95  |
| 22. Exhaust Flange Retaining Ring, 1.759" x .062" ....   | <b>550-0226</b>  | \$10.95  |
| 23. Exhaust Gasket, Tapered Stainless Steel, 1984-up bt, 1986-up xl<br>65324-83B, 65324-83A .... | <b>106-5029</b>  | \$7.95   |
| 24. Press-in Aluminum Retaining Ring, 1984-up<br>S&S® B2 Heads ....                              | <b>550-0225</b>  | \$40.95  |
| 25. Exhaust Gasket Backing Washer<br>2.18" x 1.690" x .125" ....                                 | <b>550-0220</b>  | \$31.95  |
| 26. Exhaust Flange Retaining Ring, 2.125" x .078" ....   | <b>50-8159-S</b> | \$10.95  |
| 27. Exhaust Gasket, Tapered, Stainless Steel,<br>1984-up S&S® B2 Heads ....                      | <b>550-0221</b>  | \$10.95  |
| 28. Exhaust Gasket Backing Washer<br>2.18" x 1.885" x .200" ....                                 | <b>550-0219</b>  | \$31.95  |
| 29. Weld-On Exhaust Header Pipe ....   | <b>550-0222</b>  | \$40.95  |

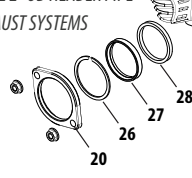
**VALVE SPRING REPLACEMENT PARTS:  
PAGE 154**



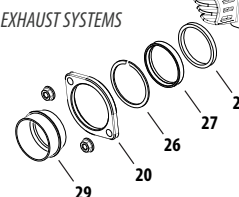
FOR B2 HEADS USING STOCK HEADER PIPE SIZE EXHAUST SYSTEMS



FOR B2 HEADS USING A PRE-MADE 2" OD HEADER PIPE SIZE EXHAUST SYSTEMS



FOR B2 HEADS MODIFYING OR MAKING A 2" OD HEADER PIPE SIZE EXHAUST SYSTEMS



All reference to HD® Part # is for identification purposes only. We in no way are implying that any of S&S Cycle's products are original equipment parts or that they are equivalent to the corresponding HD® Part # shown.

AMB  
 2007-17 TWIN CAM 96"/103"/110"  
 1999-06 TWIN CAM 88"  
 SPORTSTER, STREET, NIGHTSTER, STREET ROD & BUELL  
 TOOLS & SHOP SUPPLIES  
 WARRANTY & COMPANY POLICY  
 APPENDIX



For 2007–2016 Big Twin Engines

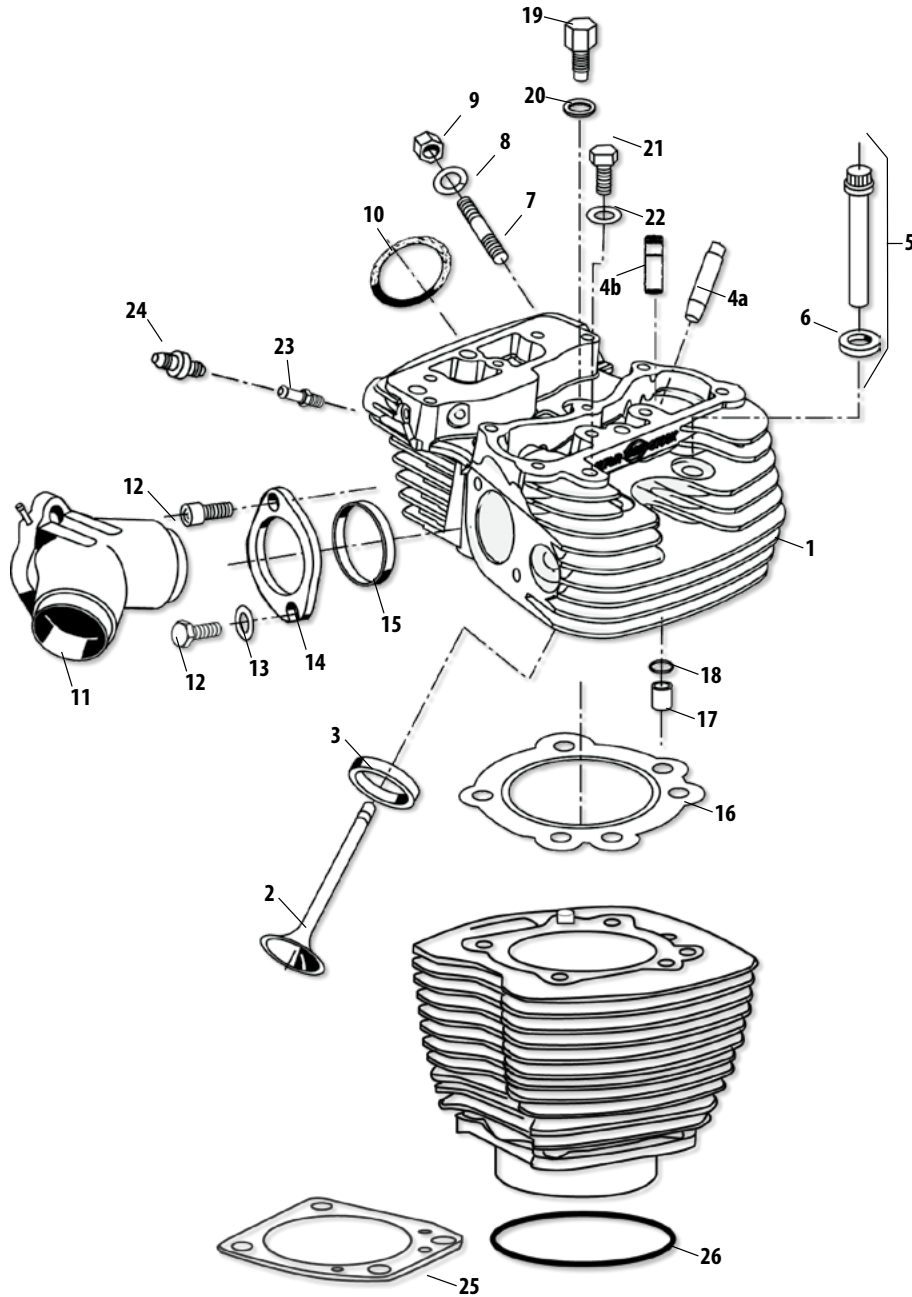
2007-17  
TWIN CAM  
96"/103"/110"

- |  |                   |            |   |
|--|-------------------|------------|---|
| 1. Cylinder head (Starting page 126)                             |                   |            |   |
| 2. Valve   |                   |            |   |
| All S&S heads with 89cc or 91cc chamber                          |                   |            |   |
| Intake   |                   |            |   |
| 2.000" diameter  | <b>90-2000</b>    | \$40.95    |   |
| Exhaust  |                   |            |   |
| 1.605" diameter  | <b>90-2001</b>    | \$81.95    |   |
| All S&S heads with 79cc chamber                                  |                   |            |   |
| Intake — 1.940" diameter   | <b>90-2025</b>    | \$50.95    |   |
| Exhaust — 1.575" diameter  | <b>90-2026</b>    | \$71.95    |   |
| 3. Valve seat  |                   |            |   |
| All S&S heads with 89cc or 91cc chamber                          |                   |            |   |
| Intake — 2.000" diameter   | <b>90-2002</b>    | \$30.95    |   |
| Exhaust — 1.605" diameter  | <b>90-2003</b>    | \$70.95    |   |
| All S&S heads with 79cc chamber                                  |                   |            |   |
| Intake — 1.940" diameter   | <b>90-2027</b>    | \$25.95    |   |
| Exhaust — 1.575" diameter  | <b>90-2028</b>    | \$27.95    |   |
| 4. a. Valve guide — Intake or Exhaust Cast                       |                   |            |   |
| Standard 18112-92  | <b>90-2210</b>    | \$58.95    |   |
| +.001" 18130-83C   | <b>90-2211</b>    | \$81.95    |   |
| +.002" 18133-83A, 18133-83D                                      | <b>90-2212</b>    | \$101.95   |   |
| +.003" 18131-83C   | <b>90-2213</b>    | \$122.95   |   |
| +.030"   | <b>90-2219</b>    | \$71.95    |   |
| b. Valve Guide — Intake or Exhaust Powder Metal (PM)             |                   |            |   |
| Standard   | <b>90-0553</b>    | \$50.95    |   |
| +.001  | <b>90-0554</b>    | \$50.95    |   |
| +.002  | <b>90-0555</b>    | \$50.95    |   |
| +.003  | <b>90-0556</b>    | \$50.95    |   |
| 5. Head bolt assembly — (8 Required) (Includes head bolt washer) |                   |            |   |
| each   | <b>93-3037</b>    | \$21.95    |   |
| 4 pack   | <b>93-3037-4</b>  | \$76.95    |   |
| 6. Head bolt washer, .250" (each)                                | <b>50-7091</b>    | \$7.95     |   |
| 7. Exhaust port stud 16715-83 (each)                             | <b>50-0493</b>    | \$7.95     |   |
| 5 pack   | <b>50-1028</b>    | \$19.95    |   |
| 8. Lock washer — 5/16"   | <b>50-7032</b>    | \$4.95     |   |
| 9. Nut, flanged — 5/16" — 24 7593                                |                   |            |   |
| Zinc (each)  | <b>50-5025-5</b>  | \$4.95     |   |
| 2 pack   | <b>50-5025-2</b>  | \$7.95     |   |
| 5 pack   | <b>50-1001</b>    | \$9.95     |   |
| Chrome (each)  | <b>50-5030-5±</b> | \$6.95     |   |
| 10. Exhaust pipe gasket, tapered 65324-83B, 65324-83A            |                   |            |   |
| each   | <b>106-5029</b>   | \$7.95     |   |
| 10 pack  | <b>93-1072</b>    | \$71.95    |   |
| 11. Intake manifold (page 132)                                   |                   |            |   |
| 12. Manifold mounting screw                                      |                   |            |   |
| SH — 5/16" — 18 x 3/4" 3275 (each)                               | <b>50-0302-5</b>  | \$4.95     |   |
| SH — 5/16" — 18 x 1" 3201WA, 2708                                | <b>50-0101</b>    | \$4.95     |   |
| HH — 5/16" — 18 x 1" 3987 (each)                                 | <b>50-0108</b>    | \$6.95     |   |
| 13. Flat washer — 5/16" 6320, 7090-07, 6016, 6702                | <b>50-7034</b>    | \$4.95     |   |
| 14. Manifold mounting flange                                     |                   |            |   |
| Front 27009-86A (each)   | <b>16-0232</b>    | \$72.95    |   |
| 5 pack   | <b>16-0600</b>    | \$336.95 ± | ⚠️ WARNING: Cancer and Reproductive Harm — www.P65Warnings.ca.gov |
| Rear 27010-86A (each)  | <b>16-0233</b>    | \$72.95    |   |
| 5 pack   | <b>16-0601</b>    | \$339.95   |   |
| 15. Manifold o-ring  |                   |            |   |
| For S&S manifold (each)  | <b>16-0235</b>    | \$11.95    |   |
| 10 pack  | <b>16-0243</b>    | \$61.95    |   |
| For Stock manifold 26995-86B, 26995-86A, 26992-99                |                   |            |   |
| each   | <b>16-0236</b>    | \$10.95    |   |
| 10 pack  | <b>16-0244</b>    | \$60.95    |   |
| 16. Head gasket  |                   |            |   |
| For Stock Bolt Pattern   |                   |            |   |
| 378"/3.927" x .030" Layered Steel (2 pack)                       | <b>900-0605</b>   | \$82.95    |   |
| 378"/3.927" x .045" Layered Steel (each)                         | <b>900-0606</b>   | \$40.95    |   |
| 4" x .043" Graphite (each)                                       | <b>93-1043-S</b>  | \$19.95    |   |
| 4 1/8" x .043" Layered Steel (each)                              | <b>93-1091-S</b>  | \$40.95    |   |
| 4 1/8" x .030" Layered Steel (2 pack)                            | <b>900-0217</b>   | \$91.95    |   |
| For S&S Bores  |                   |            |   |
| 4 1/8" x .043" Graphite (each)                                   | <b>93-1047-S</b>  | \$17.95    |   |
| 10 pack  | <b>93-1073</b>    | \$152.95   |   |
| 4 3/8" x .045" Copper (2 pack)                                   | <b>93-1081</b>    | \$132.95   |   |
| 17. Alignment dowel, base and head 16595-99A (each)              | <b>50-8177</b>    | \$8.95     |   |
| 4 pack   | <b>50-8177-4</b>  | \$15.95    |   |
| 18. Alignment dowel o-ring — Base (all bore sizes)               |                   |            |   |
| S&S heads 3 3/4" bore only 11105, 11273                          |                   |            |   |
| each   | <b>50-8008</b>    | \$6.95     |   |
| 10 pack  | <b>50-8078</b>    | \$14.95    |   |
| 19. Plug, HH — 14mm (each)                                       | <b>90-4916</b>    | \$24.95    |   |
| 2 pack   | <b>90-4916-2</b>  | \$49.95    |   |
| 20. Washer, compression — 14mm                                   |                   |            |   |
| 507" x .705" x .047" (each)                                      | <b>50-7094</b>    | \$15.95    |   |
| 21. Head mount bolt — 3/8" — 16 x 1 1/4" 4716W                   |                   |            |   |
| each   | <b>50-0168</b>    | \$6.95     |   |
| 22. Flat washer — 3/8" (each)                                    | <b>50-7051</b>    | \$4.95     |   |
| 23. Vent hose fitting, (For 4 1/8" Bore Only)                    |                   |            |   |
| Front, 1/16" — 27 pipe   | <b>50-8117</b>    | \$15.95    |   |
| Rear, 1/8" — 27 pipe   | <b>50-8115</b>    | \$9.95     |   |
| 24. Check Valve (For 4 1/8" Bore Only)                           | <b>50-8122</b>    | \$16.95    |   |
| 25. Base Gaskets   |                   |            |   |
| For S&S Bores  |                   |            |   |
| 4 3/8" x .018" Graphite (2 pack)                                 | <b>93-1082</b>    | \$19.95    |   |
| 4 1/8" x .018" Graphite (each)                                   | <b>93-1048-S</b>  | \$11.95    |   |
| 10 pack  | <b>93-1074</b>    | \$71.95    |   |
| 4" x .018" Graphite (each)                                       | <b>93-1050-S</b>  | \$10.95    |   |
| For Stock Bolt Pattern   |                   |            |   |
| 4 1/8" x .018" Graphite (each)                                   | <b>93-1092-S</b>  | \$15.95    |   |
| 10 pack  | <b>93-1921</b>    | \$101.95   |   |
| 26. Base O-ring (Used for early S&S bores)                       |                   |            |   |
| 4" x .103" (each)  | <b>50-8049</b>    | \$11.95    |   |
| 3 3/8" or 3 1/2" x .103" (each) 11256                            | <b>50-8048</b>    | \$9.95     |   |

**VALVE SPRING REPLACEMENT PARTS:  
PAGE 154**

All reference to HD® part numbers is for identification purposes only. We in no way are implying that any of S&S Cycle's products are original equipment parts or that they are equivalent to the corresponding HD® part number shown.





**S&S SUPER STOCK**

TOP END GASKET KIT FOR S&S ENGINES		
Bore	Part #	MSRP
4 $\frac{3}{8}$ "	90-9511	\$163.95
4 $\frac{1}{8}$ " Stock Cases	90-9510	\$175.95
4" Stock Bolt Pattern	90-9505	\$102.95
3 $\frac{7}{8}$ " Stock Bolt Pattern	90-9504	\$133.95

*Kits include all gaskets and seals required to rebuild the top end of an S&S engine with S&S cylinders and cylinder heads. Rocker cover gaskets are not included in kits. See "Rocker cover gasket kits" on page 138 to order separately.*

VALVE GUIDE DIAMETERS FOR S&S® T-SERIES ENGINES			
Oversize	Diameter	Part Number	MSRP
Std.	.5625/.5620	90-2210  1,2,3	\$58.95
+.001	.5635/.5630	90-2211	\$81.95
+.002	.5645/.5640	90-2212	\$101.95
+.003	.5655/.5650	90-2213	\$122.95
+.030	.5925/.5920	90-2219	\$71.95

MB

2007-'17  
TWIN CAM  
96"/103"/110"

1999-'06  
TWIN CAM  
88"

SPORTSTER, STREET,  
NIGHTSTER, STREET ROD  
& BUELL

TOOLS &  
SHOP  
SUPPLIES

WARRANTY &  
COMPANY  
POLICY

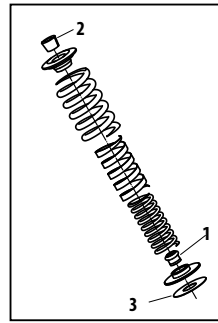
APPENDIX

## For 2007–2015 big twin Engines

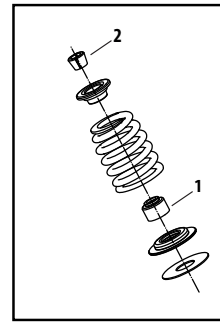
### .720" & .660" Lift Valve Springs (B3 Cylinder Heads)

- Seal, valve guide, intake/exhaust 18001-838 (each) . . . **90-2008** \$8.95  
8 pack . . . . . **90-2158** \$23.95
- Keeper, valve spring, SA . . . . . **90-2153A** \$9.95
- Valve spring shim  
.015" (each) . . . . . **90-2086** \$6.95  
5 pack . . . . . **50-7161** \$10.95  
.030" (each) . . . . . **90-2087** \$7.95  
5 pack . . . . . **90-2198** \$12.95

.720" & .660" Lift Valve Springs



.650" Lift Valve Springs



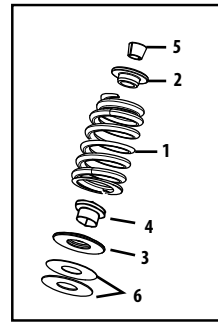
### .650" Lift Valve Springs (B2 Cylinder Heads)

- Seal, Valve Guide, fits .315" x .554"OD, Viton® (4 pack) . . . . . **900-0737** \$14.95
- Keeper, valve spring, Standard, 9° . . . . . **90-2094-S** \$8.95

### .650" Lift Sidewinder® Valve Springs (Stock, Super Stock® & CNC Ported Cylinder Heads)

- Spring, Valve .650" . . . . . **106-5689** \$70.95
- Collar, Top, Steel . . . . . **106-5690** \$19.95
- Collar, Bottom, Steel . . . . . **106-5691** \$14.95
- Seal, Valve  
S&S CNC Ported Heads & 2005-up bt w/7mm valve stem **106-5688** \$8.95  
S&S Super Stock Heads  
.420" Cast (each) . . . . . **900-0338** \$7.95  
.562" Powder Metal (4 pack) . . . . . **900-0737** \$14.95
- Keeper, valve spring . . . . . **106-5692** \$10.95
- Valve Spring Shim  
.015" (each) . . . . . **500-0013** \$7.95  
.030" (each) . . . . . **500-0014** \$7.95

.650" Lift Sidewinder® Valve Springs



.585" Lift Valve Springs



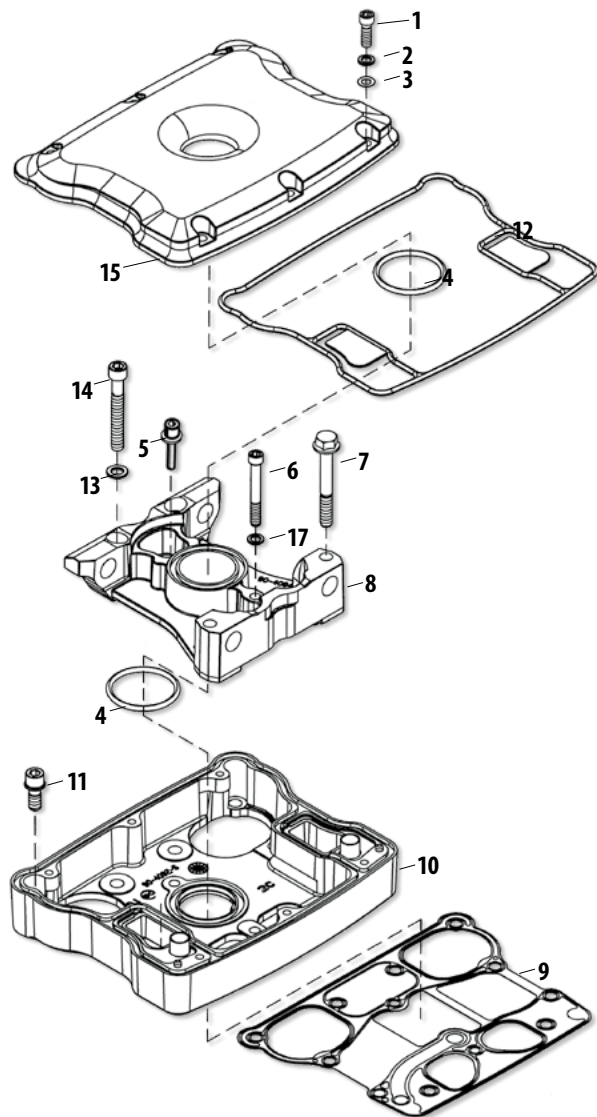
### .585" Lift Valve Springs (Stock, Super Stock® & CNC Ported Cylinder Heads)

- Spring, Valve .585" . . . . . **900-0444** \$40.95
- Collar, Top . . . . . **900-0550** \$14.95
- Collar, Bottom  
For Stock Heads w/7mm valve stem (includes seal) . . . **900-0590** \$12.95  
For CNC Ported Heads w/7mm valve stem . . . . . **900-0549** \$14.95  
For Super Stock Heads . . . . . **900-0600** \$10.95
- Seal, valve guide  
For Stock Heads w/7mm valve stem (includes bottom collar) . . . . . **900-0590** \$12.95  
For CNC Ported Heads w/7mm valve stem . . . . . **106-5688** \$8.95  
For Super Stock Heads  
.420" Cast (each) . . . . . **900-0338** \$7.95  
.562" Powder Metal (4 pack) . . . . . **900-0737** \$14.95
- Keeper, valve spring  
For Stock and CNC Ported Heads . . . . . **106-5692** \$10.95  
For Super Stock Heads . . . . . **90-2094-S** \$8.95
- Valve spring shim  
For Stock and CNC Ported Heads  
.015" . . . . . **500-0013** \$7.95  
.030" . . . . . **500-0014** \$7.95  
For Super Stock Heads  
.015" . . . . . **90-2086** \$6.95  
.030" . . . . . **90-2087** \$7.95

2007-17  
TWIN CAM  
96"/103"/110"



- 1. Screw, socket head 1/4"-20 x 3/4" 4069A (each)..... **50-0067** \$7.95
- 2. Washer, flat 1/4" (each) ..... **50-7017** \$6.95  
12 pack ..... **50-7013** \$12.95
- 3. Washer, silicone coated 1/4" (each) ..... **50-7015** \$6.95  
8 pack ..... **50-7015-8** \$12.95  
12 pack ..... **50-7015-12** \$15.95
- 4. Seal, o-ring  
(Included in gasket kit see #16 below.)
- 5. Screw, socket head, 1/4"-20 x 1" 4741A  
each ..... **50-0092-S** \$7.95  
4 pack ..... **50-0092-P** \$10.95
- 6. Screw, socket head, 1/4"-20 x 2" 25794-36 ..... **50-0013** \$6.95
- 7. Screw, hex flange head, 3/16"-18 x 2 1/2" 3501 ..... **50-0123** \$7.95
- 8. Support, rocker arm ..... **90-4140** \$81.95
- 9. Gasket, rocker cover, Graphite  
For Stock or S&S rocker covers on stock heads 16719-99B  
each ..... **90-4071-S** \$12.95  
2 pack ..... **90-4071** \$20.95  
10 pack ..... **90-4099** \$91.95  
For Stock rocker covers on S&S heads (each) ..... **90-4124** \$21.95  
2 pack ..... **90-4120** \$40.95
- 10. Housing, rocker, Chrome ..... **900-4283±** \$316.95
- 11. Screw, socket head, 3/16"-18 x 1" ..... **50-0125-S** \$6.95
- 12. Seal, rocker cover  
(Included in gasket kit see #16 below.)
- 13. Washer, flat 3/16" (each)..... **50-7026** \$6.95
- 14. Screw, socket head 3/16"-18 x 2 1/4"  
each ..... **50-0115-S** \$7.95
- 15. Cover, rocker, chrome ..... **900-0706±** \$203.95
- 16. Gasket set - rocker cover, cast (Not Shown) ..... **90-4111** \$71.95
- 17. Washer, .261" x .474" x .050", Annealed, Stainless Steel  
each ..... **50-7020** \$6.95



All reference to HD® part numbers is for identification purposes only. We in no way are implying that any of S&S Cycle's products are original equipment parts or that they are equivalent to the corresponding HD® part number shown.

± WARNING: Cancer and Reproductive Harm – www.P65Warnings.ca.gov

MB

2007-17  
TWIN CAM  
96"/103"/110"

1999-'06  
TWIN CAM  
88"

SPORTSTER, STREET,  
NIGHTSTER, STREET ROD  
& BUELL

TOOLS &  
SHOP  
SUPPLIES

WARRANTY &  
COMPANY  
POLICY

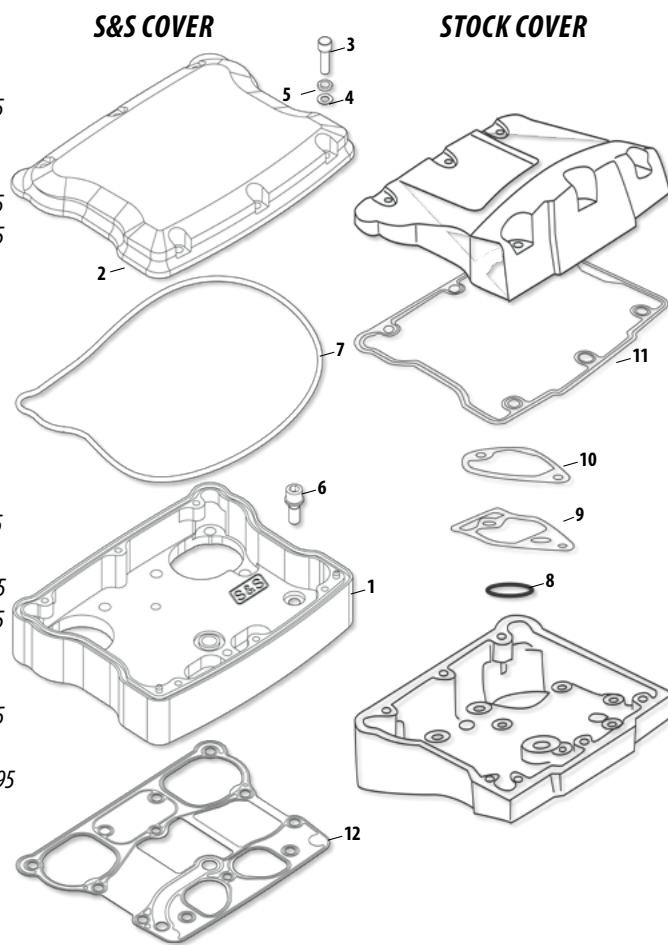
APPENDIX



for 1999–2017 big twin Engines (Discontinued)  
except 2017 touring models

- 1. Base assembly, rocker ..... **N/A**
- 2. Top, rocker cover ..... **N/A**
- 3. SHCS, 1/4"-20 x 3/4" 4069A (each) ..... **50-0067** \$7.95
- 4. Washer, flat, chrome, 260" x .425" x .060"  
each ..... **50-7017±** \$6.95  
12 pack ..... **50-7013±** \$12.95
- 5. Washer, flat, rubber coated, 1/4" x 7/16" x .020"  
each ..... **50-7015** \$6.95  
8 pack ..... **50-7015-8** \$12.95  
12 pack ..... **50-7015-12** \$15.95
- 6. SHCS, 5/16"-18 x 1" with flatwasher ..... **50-0125-S** \$6.95
- 7. O-ring, rocker cover seal, Viton®  
(Included in gasket kit #90-4073. See below)
- 8. O-ring, (-114), .625" ID x .937" OD 11270 ..... **50-8033** \$6.95
- 9. Gasket, Breather Baffle, Stock Pattern, Paper, 1999-'10 bt  
17162-03, 17592-99 each ..... **90-4078** \$7.95
- 10. Gasket, Breather Cover, Stock Pattern, Paper, 1999-'10 bt  
17591-99, 17162-03, 17592-99 each ..... **90-4077** \$7.95
- 11. Gasket, Rocker Cover, Steel, 1999-up bt 17386-99A ..... **90-4096-S** \$17.95
- 12. Gasket, bottom rocker cover  
2 pack ..... **90-4071** \$20.95  
10 pack ..... **90-4099** \$91.95
- 13. Gasket kit, rocker cover (includes gaskets for 2 rocker covers) (Not Shown)  
For S&S billet rocker covers  
(includes #5,7,8,9,10,12) ..... **90-4073** \$61.95  
For 1999-'10 bt  
(includes #8, 9,10,11,12) ..... **90-4097** \$144.95

**N/A = No longer available**



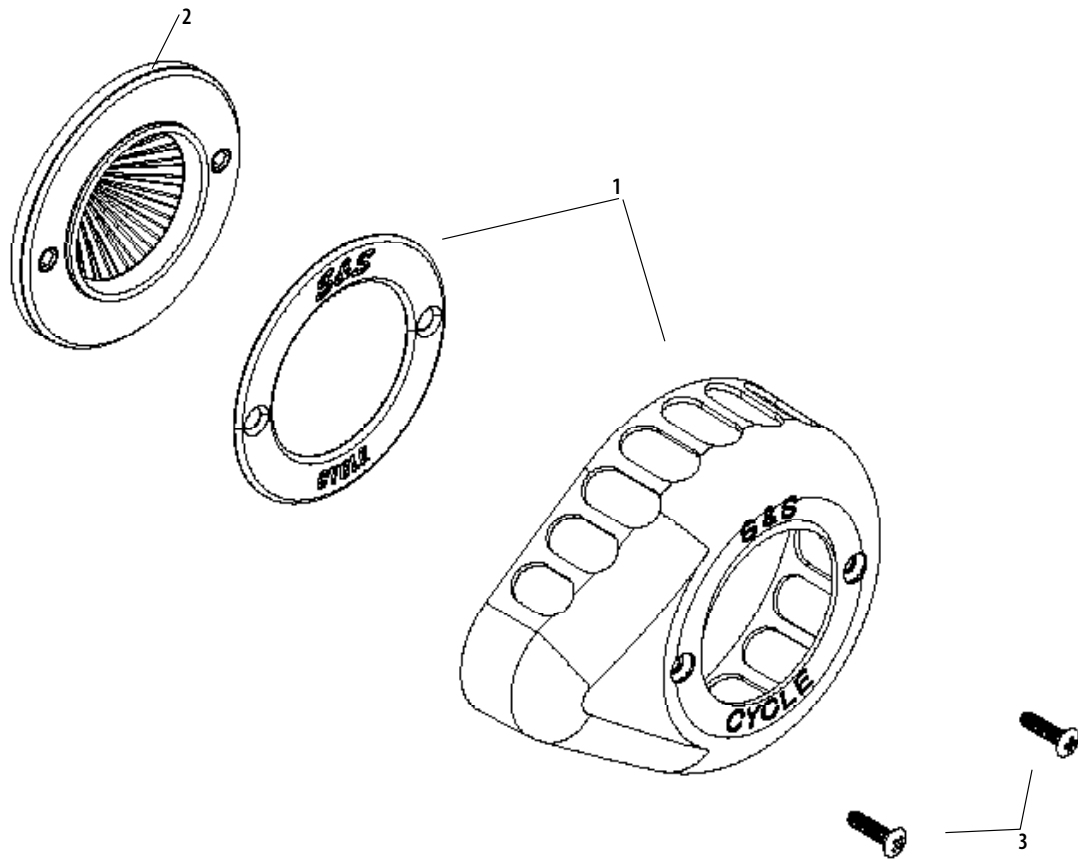
2007-17  
TWIN CAM  
96"/103"/110"

All reference to HD® part numbers is for identification purposes only. We in no way are implying that any of S&S Cycle's products are original equipment parts or that they are equivalent to the corresponding HD® part number shown.

⚠️ WARNING: Cancer and Reproductive Harm – www.P65Warnings.ca.gov



- 1. Cover
  - Gloss Black Teardrop ..... **170-0686** \$203.95
  - Chrome Teardrop ..... **170-0687** \$203.95
  - Billet S&S Script Ring ..... **170-0502** \$81.95
- 2. Filter ..... **170-0723A** \$71.95
- 3. Screws
  - Bright Stainless Steel (2 pack) ..... **500-0657** \$11.95
  - Black (2 pack) ..... **500-0711** \$12.95



MB

2007-17  
TWIN CAM  
96"/103"/110"

1999-'06  
TWIN CAM  
88"

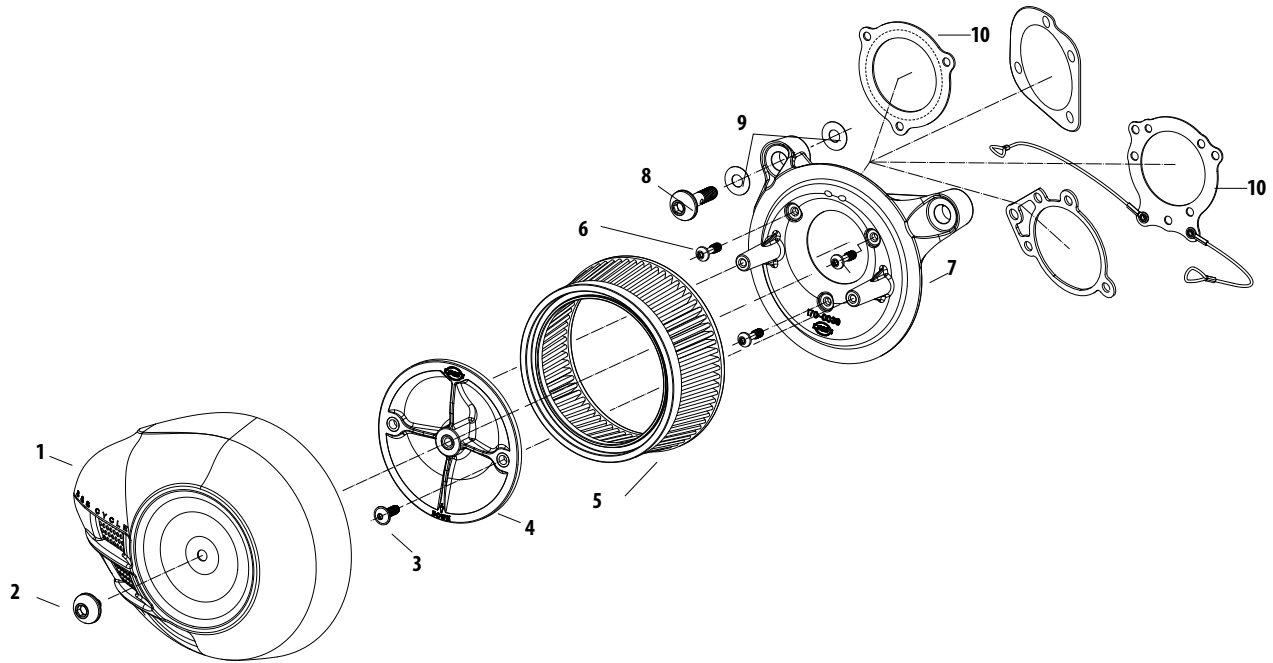
SPORTSTER, STREET,  
NIGHTSTER, STREET ROD  
& BIUELL

TOOLS &  
SHOP  
SUPPLIES

WARRANTY &  
COMPANY  
POLICY

APPENDIX

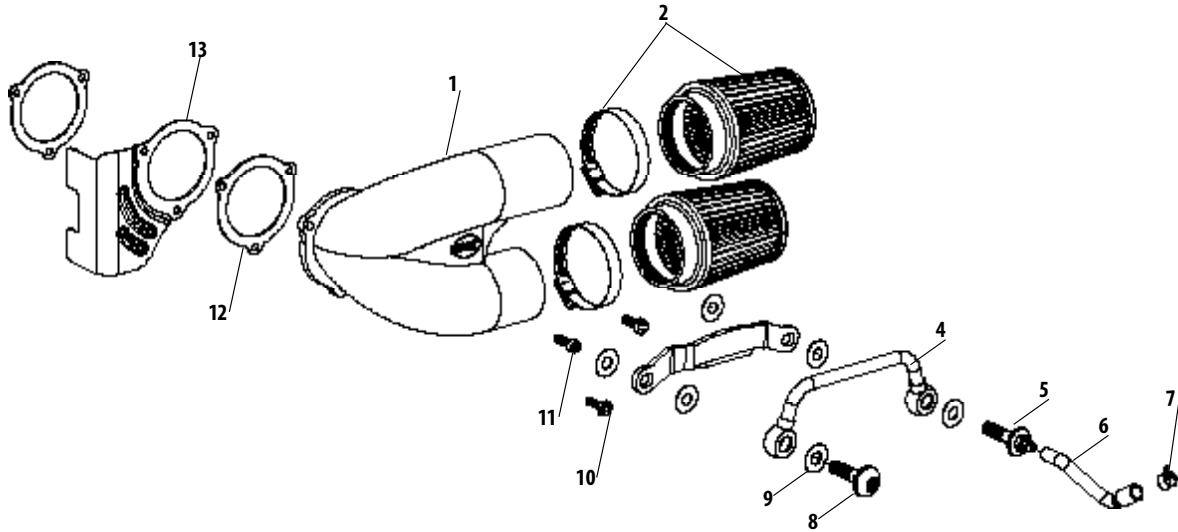
2007-17  
TWIN CAM  
96"/103"/110"



- 1. Cover, Air Cleaner Airstream
  - Chrome ..... **170-0118**<sup>±</sup> \$193.95
  - Gloss Black ..... **170-0396** \$195.95
- 2. Air Cleaner Cover Screw, SHCB, 5/16"-18 UNC X .500" ..... **170-0508** \$22.95
- 3. Screw, SHC, Flanged Button, 1/4-20 UNC x .750" ..... **500-0060** \$7.95
- 4. Top Plate, Air Filter, Molded, Plastic ..... **170-0026** \$19.95
- 5. Filter, Air, Tapered,
  - Standard Pleated, Cotton, Stealth Air Cleaner Kit .... **170-0126** \$61.95
  - 1" Taller Pleated, Cotton, Stealth Air Cleaner Kit .... **170-0127** \$91.95
  - 1" Taller Pleated, Cotton Filter Only ..... **170-0154** \$61.95
- 6. Screw, SHCB, 1/4-20 UNC X .825" ..... **500-0059** \$7.95
- 7. Backplate
  - Stock CV & EFI, Black, Die Cast, 1991-2016 xl ..... **170-0048** \$97.95
  - Backplate, Air Cleaner, Throttle by Wire, Machined, Stock Bore, WBlack, Die Cast, 2008-'16 Touring, 2009-'16 Tri-Glide<sup>®</sup>, 2011-'17 Softail<sup>®</sup> ..... **170-0065** \$81.95
- 8. Screw, Backplate Vent, SHCB, 3/8-16 x 1-1/2", Polished, Stainless Steel **170-0506**
- 9. Washer, Flat, .520" x .880" x .024", Silicone Coated Steel,
  - each ..... **50-7055** \$7.95
  - 10 pack ..... **50-7057** \$17.95
- 10. Gasket, Backplate
  - Stock CV Carb & EFI Throttle Body, 1991-2016 xl (except Throttle by Wire) ..... **106-6022** \$8.95
  - Super E/G ..... **106-1724** \$8.95

<sup>±</sup> WARNING: Cancer and Reproductive Harm – www.P65Warnings.ca.gov

1. Intake Runner		
Stainless Steel .....	<b>170-0650</b>	\$356.95
Chrome .....	<b>170-0646</b>	\$360.95
Gloss Black .....	<b>170-0647</b>	\$356.95
2. Filter, Air, S&S® VFI, 2-7/16" x 4", Red		
includes clamp (each) .....	<b>170-0559</b>	\$40.95
4. Tube, Breather .....	<b>170-0625</b>	\$27.95
5. Screw, Breather Vent Fitting, 3/8-16 UNC x 1-1/2" .....	<b>170-0558</b>	\$25.95
6. Breather Vent Hose .....	<b>170-0631</b>	\$24.95
7. Clamp, Spring, .440" .....	<b>50-8143-S</b>	\$4.95
8. Screw, Backplate Vent .....	<b>170-0651</b>	\$61.95
9. Washer (each) .....	<b>50-7054</b>	\$7.95
10. Screw, HHCS, Gr8, 1/4-20 x 3/4", Zinc, Steel .....	<b>50-0022</b>	\$4.95
11. Screw, SHC, 1/4-20 x 3/4", Chrome, ASTM A574-92A .....	<b>50-0067</b>	\$7.95
12. Gasket, Throttle Body, Throttle by Wire, 64mm .....	<b>160-0050</b>	\$8.95
13. Cover, Induction Module .....	<b>170-0641</b>	\$22.95



MB

2007-17  
TWIN CAM  
96"/103"/110"

1999-'06  
TWIN CAM  
88"

SPORTSTER, STREET,  
NIGHTSTER, STREET ROD  
& BIJEL

TOOLS &  
SHOP  
SUPPLIES

WARRANTY &  
COMPANY  
POLICY

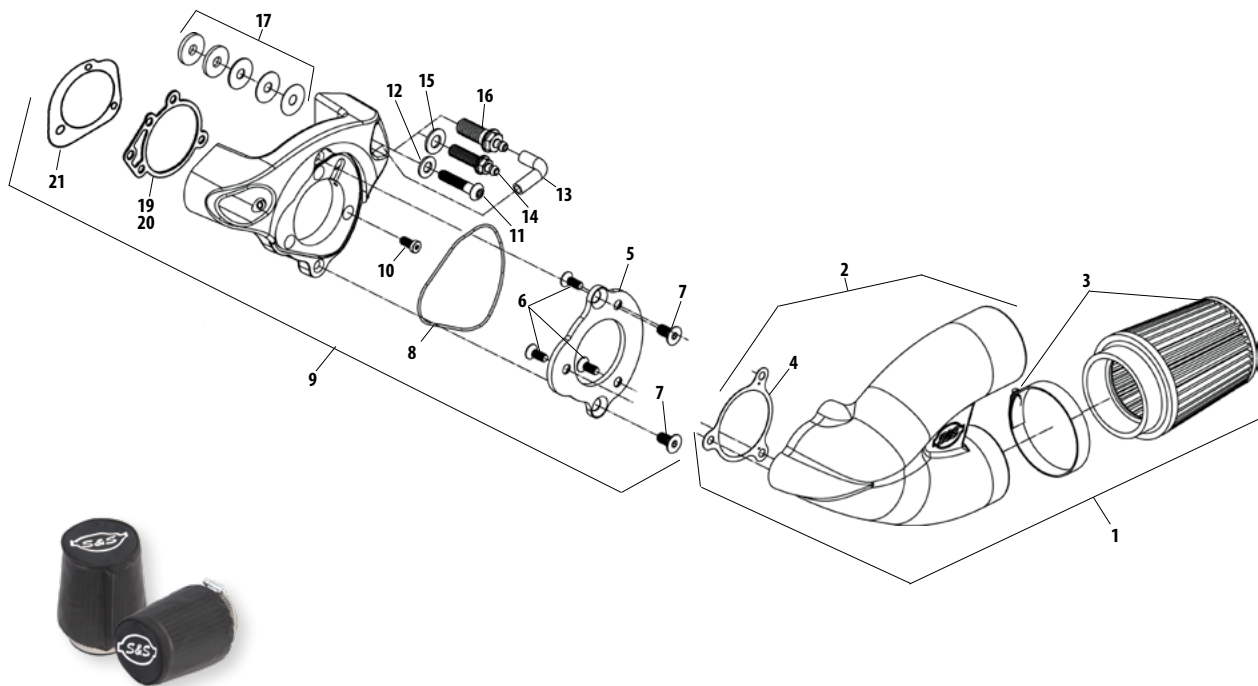
APPENDIX



For S&S T-Series Engines & 2007-'16 big twins, except 2008-'16 Touring models

2007-'17  
TWIN CAM  
96"/103"/110"

- |   |            |          |
|---|------------|----------|
| 1. Tuned Intake Kit, 2.19" Single Bore with Red Filters.....  | N/A        | —        |
| 2. Tuned Intake Assembly, 2.19" Single Bore<br>Chrome Plated.....   | 106-4970±  | \$246.95 |
| 3. Air Filter, w/clamp, Stainless Cap — Conical — 2 <sup>7</sup> / <sub>16</sub> " I.D. x 4"<br>Red (each).....                 | 17-1020    | \$71.95  |
| Blue (each).....  | 17-1023    | \$71.95  |
| 4. Gasket, Intake — Adapter Plate.....  | 17-1022    | \$10.95  |
| 5. Plate, Adapter, 2.19" Single Bore Tuned Intake<br>Chrome Steel.....  | 17-1014±   | \$83.95  |
| 6. FHSC 1/4-20 x 5/8" (each).....   | 50-0433    | \$7.95   |
| 7. FHSC 5/16-18 x 5/8" (each).....  | 50-0432    | \$10.95  |
| 8. O-Ring, Adapter Plate Bracket 3 5/8" O.D. x 3 1/2" I.D. 1/16 CS, Viton<br>each.....  | 50-0446    | \$8.95   |
| 9. Bracket Kit, 2.19" Single Bore Tuned Intake, Chrome<br>Stock Carb, Delphi® EFI, 1984-up BT.....                              | 106-4978±  | \$499.95 |
| 10. Backplate Screw, SHC, w/Threadlock, 1/4-20 x 1/2" (each).....   | 106-2084   | \$6.95   |
| 10 pack.....  | 106-2105   | \$12.95  |
| 11. Screw, 5/16-18 x 1 1/4, BHC, Chrome (each).....   | 50-0309-S± | \$10.95  |
| 12. Flat Washer 5/16" x 1/16" 6320, 70907-07, 6016, 6702.....   | 50-7034    | \$4.95   |
| 13. Hose, Breather, 1/4" I.D., 90°.....   | 19-0178A   | \$13.95  |
| 14. Screw, Breather Fitting, 3/8-16 x 1 1/4".....   | 50-0436    | \$20.95  |
| 15. Washer, Flat, 3/8" x 1 3/16" x 1/16", Chrome.....   | 50-7106-S± | \$8.95   |
| 16. Screw, Breather Fitting, 1/2-13 x 1.25.....   | 50-0435    | \$16.95  |
| 17. Shim Kit<br>(a) 5/16" I.D. S&S 4 1/8" engines.....  | 17-0314    | \$15.95  |
| Includes:<br>.325" x 1" x .018", Stainless Steel (each).....  | 50-7038    | \$6.95   |
| .325" x 1" x .030", Stainless Steel (each).....   | 50-7039    | \$6.95   |
| .325" x 1" x .048", Stainless Steel (each).....   | 50-7040    | \$6.95   |
| .325" x 1" x .105", Stainless Steel (each).....   | 50-7041    | \$7.95   |
| .325" x 1" x .125", Stainless Steel (each).....   | 50-7042    | \$7.95   |
| (b) 1/2" I.D. 1993-up BT.....   | 17-0464    | \$23.95  |
| Includes:<br>.515" x 1" x .018", Stainless Steel (each).....  | 50-7085    | \$7.95   |
| .515" x 1" x .030", Stainless Steel (each).....   | 50-7086    | \$6.95   |
| .515" x 1" x .048", Stainless Steel (each).....   | 50-7087    | \$7.95   |
| .515" x 1" x .105", Stainless Steel (each).....   | 50-7089    | \$7.95   |
| .515" x 1" x .125", Stainless Steel (each).....   | 50-7090    | \$9.95   |
| 19. Gasket, Backplate - E/G/SBEFI (each).....   | 106-1724   | \$8.95   |
| 10 pack.....  | 106-2328   | \$40.95  |
| 20. Gasket, Backplate, S&S SBEFI 58mm.....  | 106-4662   | \$10.95  |
| 21. Gasket, Backplate, Stock carb/Throttle Body 29062-95B.....  | 106-6022   | \$8.95   |
| 22. Hardware Kit<br>2007-'12 bt, except 2008-'12 Touring<br>(includes #7, 8, 10, 11, 12, 13, 14, 15, 16, 17a, 17b, 19, 21)..... | 17-5098    | \$173.95 |
| S&S 4 1/8" Bore Heads (includes #7, 8, 10, 11, 12, 13, 17a, 19).....  | 500-0016   | \$81.95  |



**ACCESSORIES**

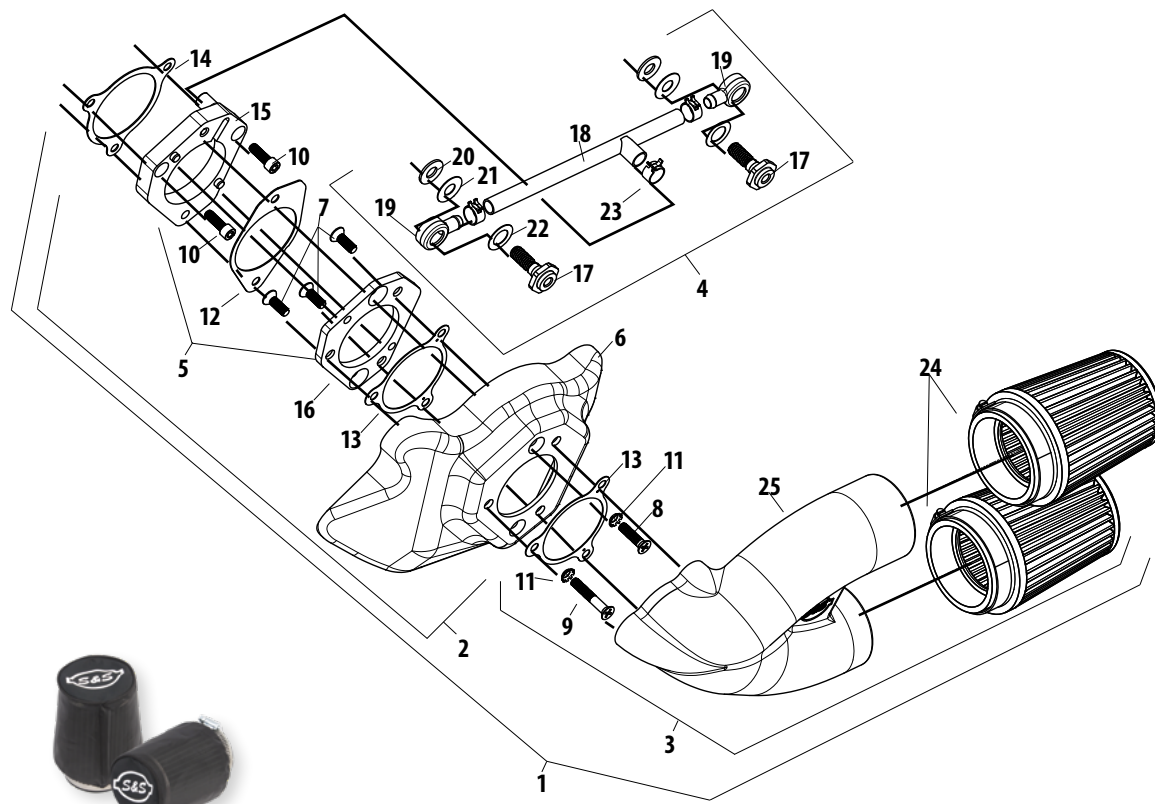
Description	Part #	MSRP
Nylon Air Filter Cover	each	41.27
	2 pack	80.47

± ⚠ WARNING: Cancer and Reproductive Harm — www.P65Warnings.ca.gov





- |   |                    |          |  |
|---|--------------------|----------|--|
| 1. Intake Runner, Kit, Single Bore, 2.19", 2008-Up Touring (page 93)        |                    |          |  |
| 2. Installation Kit, Throttle by Wire, 2008-up bt. ....                     | <b>106-4851</b>    | \$259.95 |  |
| 3. Intake Runner, Single Bore, w/Gasket & Air Filter, 2.19" .....           | <b>N/A</b>         | —        |  |
| 4. Breather, Kit, Throttle by Wire, 2008-up bt. ....                        | <b>106-4827</b>    | \$52.95  |  |
| 5. Mount, Kit, Spacer/Adapter, Throttle by Wire, 2008-up bt. ....           | <b>106-4824</b>    | \$203.95 |  |
| 6. Cover, Induction Module, Throttle by Wire, Plastic, 2008-up              | <b>106-3612</b>    | \$31.95  |  |
| 7. Screw, FHSC, ¼-20 x ¾", Zinc Plated .....                                | <b>50-0491</b>     | \$6.95   |  |
| 8. Screw, FHSC, ¼-20 x 1", Black Chrome .....                               | <b>106-4828</b> ±  | \$10.95  |  |
| 9. Screw, FHSC, ¼-20 x 1½", Black Chrome .....                              | <b>106-4829</b> ±  | \$10.95  |  |
| 10. Screw, SHC, ¼-20 x ¾", Chrome, ASTM A574-92A 4069A                      | <b>50-0067</b> ±   | \$7.95   |  |
| 11. Washer, countersunk, external tooth, ¼" x ½", parkerized steel          |                    |          |  |
|   | <b>106-4980</b>    | \$6.95   |  |
| 12. Gasket, Intake Adapter, Throttle by Wire, 2008-up bt. ....              | <b>106-4428</b>    | \$9.95   |  |
| 13. Gasket, Intake Adapter, .020", 2.19", Gray, Paper .....                 | <b>17-1022</b>     | \$10.95  |  |
| 14. Gasket, Throttle Body, Throttle by Wire, 2008-up bt 29645-08            |                    |          |  |
| each .....  | <b>106-2643</b>    | \$13.95  |  |
| Gasket, S&S Throttle Hog, 58mm .....  | <b>160-0050</b>    | \$8.95   |  |
| Gasket, S&S Throttle Hog, 66mm & 70mm .....                                 | <b>160-0035</b>    | \$8.95   |  |
| 15. Spacer, Plate, Throttle by Wire, Intake Runner, 2008-up bt              | <b>106-4826</b>    | \$132.95 |  |
| 16. Adapter, Plate, Throttle by Wire, Intake Runner .....                   | <b>106-3607</b>    | \$71.95  |  |
| 17. Screw, Breather, ⅜-16 UNC, +.250, 2008 Touring (each) ..                | <b>106-2667</b>    | \$20.95  |  |
| 18. Hose, Vent, Breather .....  | <b>USA 17-0339</b> | \$14.95  |  |
| 19. Fitting, Vent, Aluminum Alloy (each) .....                              | <b>17-0350</b>     | \$9.95   |  |
| 2 pack .....  | <b>17-0355</b>     | \$12.95  |  |
| 20. Washer, Flat, .375" x .813" x .063", Zinc, Steel                        |                    |          |  |
| each .....  | <b>50-7051</b>     | \$4.95   |  |
| 21. Washer, Flat, .520" x .880" x .024", Silicone Coated, Cold Rolled Steel |                    |          |  |
| each .....  | <b>50-7055</b>     | \$7.95   |  |
| 10 pack .....   | <b>50-7057</b>     | \$17.95  |  |
| 22. Washer, Flat, .520" x .880" x .024", Silicone Coated, Cold Rolled Steel |                    |          |  |
| each .....  | <b>50-7055</b>     | \$7.95   |  |
| 10 pack .....   | <b>50-7057</b>     | \$17.95  |  |
| 23. Clamp, Spring, 9/16" .....  | <b>50-8001</b>     | \$4.95   |  |
| 24. Air Filter, with Clamp, Stainless Cap, Conical, 2⅞" I.D. x 4"           |                    |          |  |
| Red (each) .....  | <b>17-1020</b>     | \$71.95  |  |
| Blue (each) .....   | <b>17-1023</b>     | \$71.95  |  |
| 25. Intake Runner, Single Bore, 2.19" + Gasket                              |                    |          |  |
| Chrome Plated .....   | <b>106-4970</b> ±  | \$246.95 |  |



ACCESSORIES			
Description		Part #	MSRP
Nylon Air Filter Cover	each	<b>106-0247</b>	<b>41.27</b>
	2 pack	<b>106-0248</b>	<b>80.47</b>

⚠ WARNING: Cancer and Reproductive Harm – www.P65Warnings.ca.gov

AMB  
 2007-17 TWIN CAM 96"/103"/110"  
 1999-06 TWIN CAM 88"  
 SPORTSTER, STREET, NIGHTSTER, STREET ROD & BUELL  
 TOOLS & SHOP SUPPLIES  
 WARRANTY & COMPANY POLICY



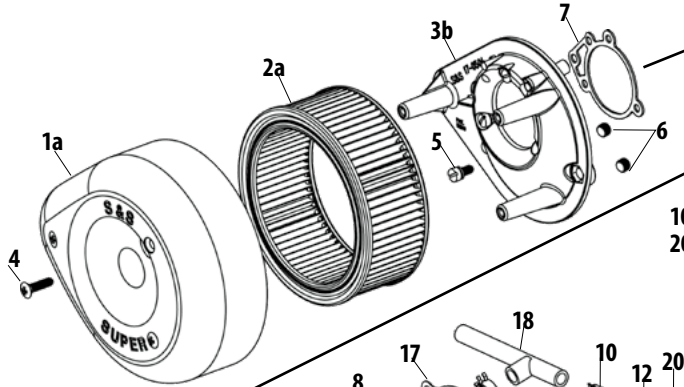
For Stock Fuel Systems

<b>1.</b> Air cleaner cover			
Chrome	<b>17-0378<sup>±</sup></b>	\$193.95	
Gloss Black (includes black screws)	<b>170-0384A</b>	\$193.95	
Slasher	<b>17-0004<sup>±</sup></b>	\$193.95	
<b>2.</b> Filter Element			
a. Pleated	<b>106-4722</b>	\$30.95	
b. Foam (for 17-0444 kit only)	<b>17-0079</b>	\$24.95	
<b>3.</b> Backplate			
a. 2006-'16 bt (except 2008-'16 touring models)	<b>106-0907</b>	\$131.95	
b. 2008-'16 touring models	<b>106-2092</b>	\$132.95	
c. 2006-up Dyna® models & all 2007 bt with stock EFI	<b>N/A</b>	—	
<b>4.</b> Cover screw, 1305			
Chrome (each)	<b>50-0072<sup>±</sup></b>	\$6.95	
3 pack	<b>50-1052<sup>±</sup></b>	\$8.95	
10 pack	<b>50-0094<sup>±</sup></b>	\$13.95	
Black (each)	<b>50-0310-S</b>	\$9.95	
3 pack	<b>50-0310</b>	\$15.95	
<b>5.</b> Backplate screw, Zinc Plated (each)	<b>106-2084</b>	\$6.95	
10 pack	<b>106-2105</b>	\$12.95	
<b>6.</b> Backplate plug 1/8"-27 (each)	<b>50-8331A</b>	\$7.95	
10 pack	<b>50-1015</b>	\$15.95	
Backplate plug .285" x .170"	<b>50-8306</b>	\$7.95	
<b>7.</b> Gasket, backplate			
CV Adaptor, .0625" (each)	<b>106-1724</b>	\$8.95	
10 pack	<b>106-2328</b>	\$40.95	
2006-'12 bt 29062-95B	<b>106-6022</b>	\$8.95	
<b>8.</b> Adaptor assembly			
2006-'12 bt (except 2008-'12 touring models)	<b>106-0881<sup>±</sup></b>	\$80.95	
2008-'12 touring models	<b>106-1716</b>	\$90.95	
<b>9.</b> Hose, vent, breather, .250" x .375" x 1.825" (each)	<b>17-0364A</b>	\$10.95	
<b>10.</b> Clamp, spring, 3/16"	<b>50-8001</b>	\$4.95	
<b>11.</b> Screw, w/lockwasher SLTD FH, 1/4-20 x 3/4", Zinc, Steel	<b>50-0073</b>	\$6.95	
<b>12.</b> Banjo fitting (each)	<b>17-0350</b>	\$9.95	
2 pack	<b>17-0355</b>	\$12.95	
<b>13.</b> Washer, silicone coated steel, 3/8" (each)	<b>50-7054</b>	\$7.95	
10 pack	<b>50-7059</b>	\$17.95	
<b>14.</b> Breather screw			
a. +.250", 2006-'12 bt (except 2008-'12 touring models)	<b>17-0348</b>	\$16.95	
b. 3/8-16 UNC, +.250, 2008-'12 Touring (each)	<b>106-2667</b>	\$20.95	
c. 3/8-16 NC, 2006-up Dyna models & all 2007 bt	<b>17-0345</b>	\$27.95	
<b>15.</b> Replacement shims			
5/8" x .025" (each)	<b>50-7113</b>	\$6.95	
10 pack	<b>50-7110</b>	\$12.95	
5/8" x .050" (each)	<b>50-7114</b>	\$6.95	
10 pack	<b>50-7111</b>	\$13.95	
5/8" x .075" (each)	<b>50-7115</b>	\$7.95	
10 pack	<b>50-7112</b>	\$16.95	
<b>16.</b> Screw, LSHC, 1/4-20 x 1/2", zinc plated (each)	<b>106-2037</b>	\$7.95	
10 pack	<b>106-2125</b>	\$15.95	
<b>17.</b> Gasket, throttle body, throttle by wire, 2008-up BT 29645-08			
each	<b>106-2643</b>	\$13.95	
<b>18.</b> Hose, vent, breather	<b>USA 1,2 17-0339</b>	\$14.95	
<b>19.</b> Washer, flat, .375" x .813" x .063", zinc, steel			
each	<b>50-7051</b>	\$4.95	
<b>20.</b> Washer, silicone coated steel 1/2" (each)	<b>50-7055</b>	\$7.95	
10 pack	<b>50-7057</b>	\$17.95	
<b>21.</b> Cover, breather screw, chrome, aluminum	<b>106-2022<sup>±</sup></b>	\$40.95	
<b>22.</b> Screw, LSHC, 5/16-24 x 1/2", stainless steel	<b>106-2023</b>	\$11.95	
<b>23.</b> Screw, Backplate Vent, Special Socket Panhead, 5/16-24 x .360", Zinc, Alloy Steel	<b>17-0346</b>	\$10.95	
<b>24.</b> Clamp, Spring, .660"	<b>50-8076-S</b>	\$4.95	
<b>25.</b> Nut, HH, 1/4-28 UNC-2B x .328", Zinc, Steel	<b>50-5010</b>	\$6.95	
<b>26.</b> Vent hose, with angle cut	<b>17-0365</b>	\$8.95	
<b>27.</b> Hose fitting	<b>17-0336C-S</b>	\$12.95	
<b>28.</b> Flatwasher, 1/4" 6194, 6245, 6703, 6736, 6228W, 6192 (each)	<b>50-7021</b>	\$6.95	
<b>29.</b> Carb support bracket	<b>N/A</b>	—	
<b>30.</b> Shim - 1/4" x 3/4" x .200"	<b>50-7024</b>	\$7.95	
<b>31.</b> Mounting Hardware Kit			
2006-'12 bt (except 2008-'12 touring models)	<b>106-0838</b>	\$92.95	
(includes 7,5,25,11,9,19,14,12,10,26,33)			
2008-'12 touring models	<b>106-2102</b>	\$152.95	
(includes 7,23,24,15,5,16,22,17,11,18,12,19,10,27,33)			
<b>32.</b> Cable Tie (N/S)	<b>50-8003</b>	\$6.95	
<b>33.</b> Screw, PH, 1/4-20 x 1", Nickel, Stainless Steel 1305 (N/S)	<b>50-0072</b>	\$6.95	

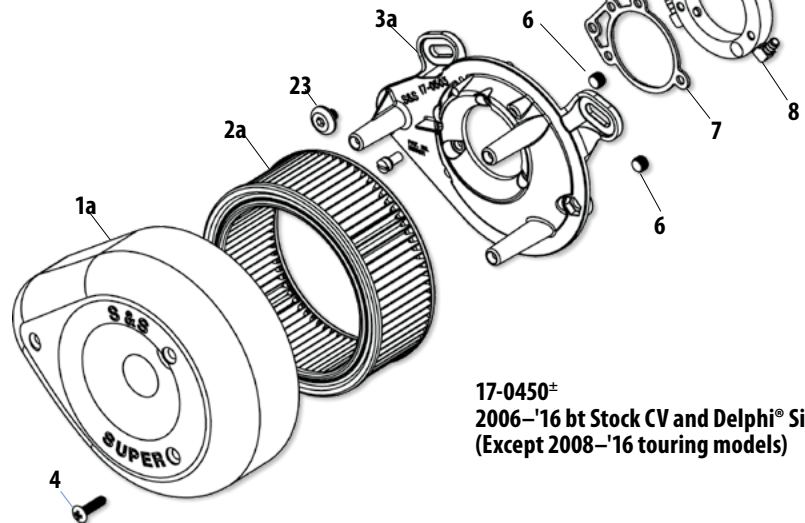
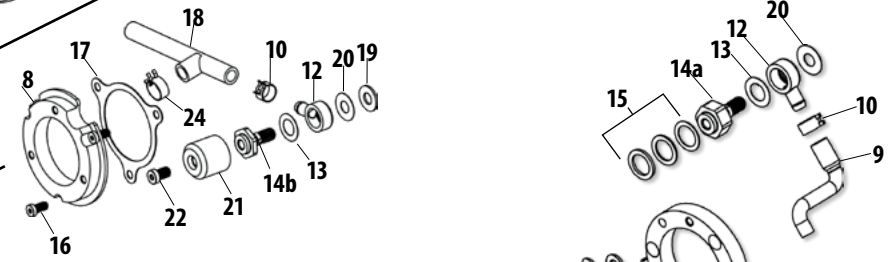
(N/S) = Not Shown

<sup>±</sup> WARNING: Cancer and Reproductive Harm – www.P65Warnings.ca.gov

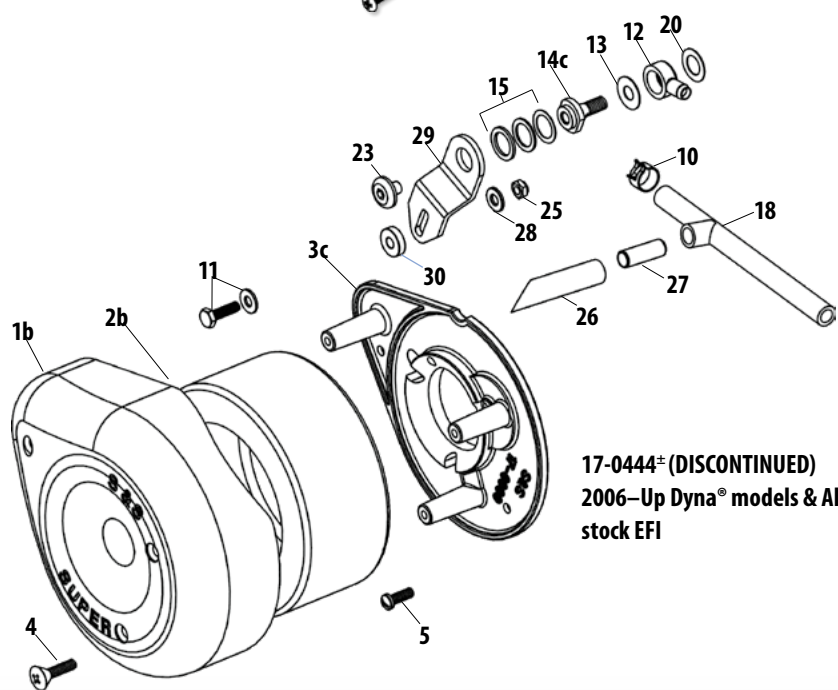
2007-'17  
TWIN CAM  
96"/103"/110"



106-2091±  
2008-'16 touring models with stock EFI throttle body



17-0450±  
2006-'16 bt Stock CV and Delphi® Single Bore EFI  
(Except 2008-'16 touring models)



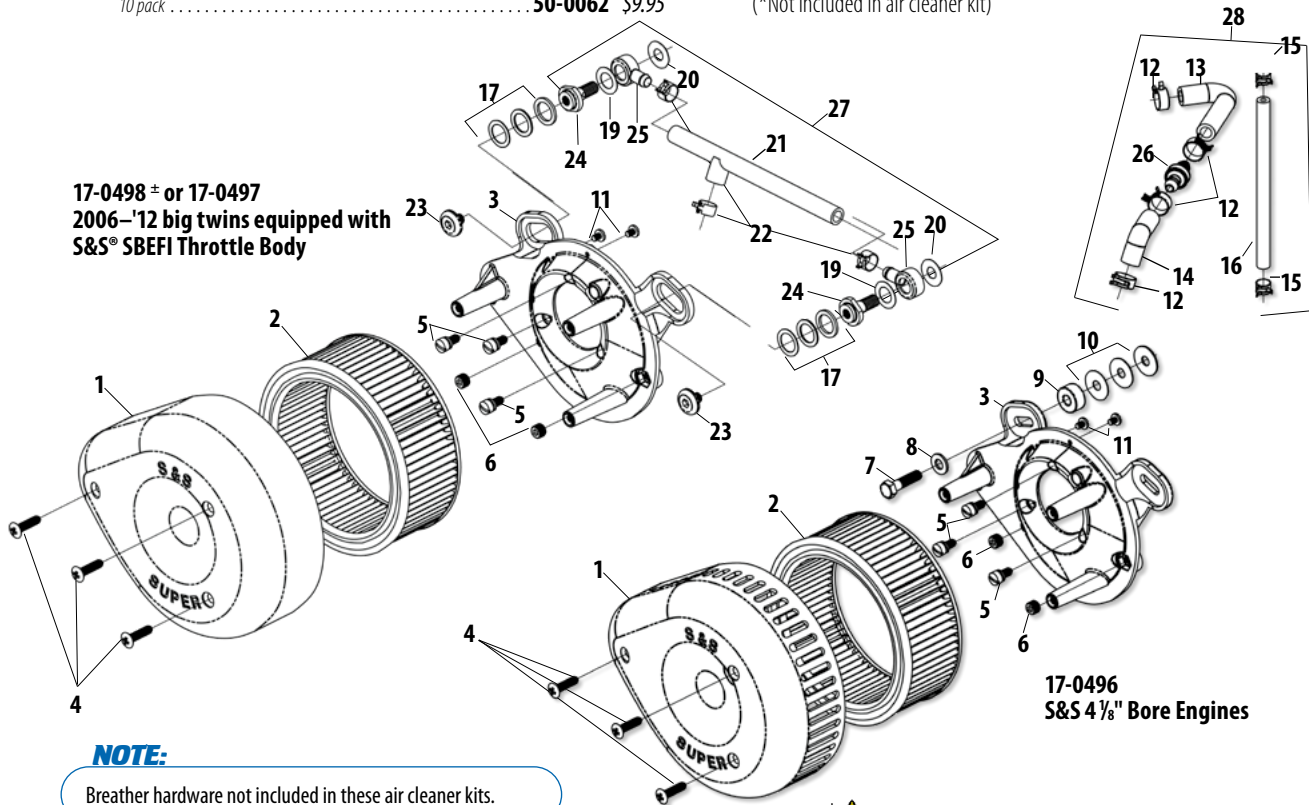
17-0444± (DISCONTINUED)  
2006-Up Dyna® models & All 2007 big twin models with stock EFI



For S&S® Single Bore EFI

- |   |                    |          |  |
|---|--------------------|----------|--|
| <b>1.</b> Air Cleaner Cover   |                    |          |  |
| Slasher (slotted chrome) .....  | <b>17-0004±</b>    | \$193.95 |  |
| Chrome .....  | <b>17-0378±</b>    | \$193.95 |  |
| Gloss Black (includes black screws) .....                               | <b>170-0384A</b>   | \$193.95 |  |
| <b>2.</b> Element, pleated .....  | <b>106-4722</b>    | \$30.95  |  |
| <b>3.</b> Backplate SBEFI   |                    |          |  |
| 2006-'16 bt .....   | <b>17-0120</b>     | \$101.95 |  |
| S&S 4 1/8" bore engines .....   | <b>17-0380</b>     | \$131.95 |  |
| <b>4.</b> Screw, Cover, oval 1/4-20 x 1                                 |                    |          |  |
| Chrome 1305 (each) .....  | <b>50-0072±</b>    | \$6.95   |  |
| 3 pack .....  | <b>50-1052±</b>    | \$8.95   |  |
| 10 pack .....   | <b>50-0094±</b>    | \$13.95  |  |
| Black 902 (each) .....  | <b>50-0310-S</b>   | \$9.95   |  |
| 3 pack .....  | <b>50-0310</b>     | \$15.95  |  |
| <b>5.</b> Backplate screw   |                    |          |  |
| Zinc Plated (each) .....  | <b>106-2084</b>    | \$6.95   |  |
| 10 pack .....   | <b>106-2105</b>    | \$12.95  |  |
| <b>6.</b> Pipe plug, 1/8, air cleaner backplate (each) .....            | <b>50-8331A</b>    | \$7.95   |  |
| 10 pack .....   | <b>50-1015</b>     | \$15.95  |  |
| <b>7.</b> Mounting bracket bolt, hex 3/16-18 x 1 1/4 .....              | <b>50-0110</b>     | \$4.95   |  |
| <b>8.</b> Flat washer, 3/16" x 1/16" 6320, 70907-07, 6016, 6702 .....   | <b>50-7034</b>     | \$4.95   |  |
| <b>9.</b> Shim, .850" x .325" x .400" .....                             | <b>50-7027</b>     | \$9.95   |  |
| <b>10.</b> Shim kit for 4 1/8" bore .....                               | <b>17-0314</b>     | \$15.95  |  |
| Individual shims:   |                    |          |  |
| 3/16" x .018" (each) .....  | <b>50-7038</b>     | \$6.95   |  |
| 3/16" x .030" (each) .....  | <b>50-7039</b>     | \$6.95   |  |
| 3/16" x .048" (each) .....  | <b>50-7040</b>     | \$6.95   |  |
| 3/16" x .105" (each) .....  | <b>50-7041</b>     | \$7.95   |  |
| <b>11.</b> Screw, PH, 10-24 x 1/4", Zinc, Steel (each) .....            | <b>50-0041</b>     | \$6.95   |  |
| 10 pack .....   | <b>50-0062</b>     | \$9.95   |  |
| <b>12.</b> Clamp, Spring, .660" .....                                   | <b>50-8076-S</b>   | \$4.95   |  |
| <b>13.</b> Hose, Rear, Vent, Breather, Formed, Section 1, SAE J30 ..... | <b>50-8262-S</b>   | \$21.95  |  |
| <b>14.</b> Hose, Rear, Vent, Breather, Formed, Section 2, SAE J30 ..... | <b>50-8263-S</b>   | \$17.95  |  |
| <b>15.</b> Clamp, Spring, .440" .....                                   | <b>50-8143-S</b>   | \$4.95   |  |
| <b>16.</b> Hose, Cut To Size, .1875" x 6", Black, Rubber .....          | <b>50-8142AS</b>   | \$9.95   |  |
| <b>17.</b> Shims, individual  |                    |          |  |
| 3/8 x 7/8 x .025 (each) .....   | <b>50-7113</b>     | \$6.95   |  |
| 10 pack .....   | <b>50-7110</b>     | \$12.95  |  |
| 3/8 x 7/8 x .050 (each) .....   | <b>50-7114</b>     | \$6.95   |  |
| 10 pack .....   | <b>50-7111</b>     | \$13.95  |  |
| 3/8 x 7/8 x .075 (each) .....   | <b>50-7115</b>     | \$7.95   |  |
| 10 pack .....   | <b>50-7112</b>     | \$16.95  |  |
| <b>18.</b> Air cleaner hardware kit                                     |                    |          |  |
| 2006-'16 bt (includes #4, 5, 6, 11, 17, 23) .....                       | <b>17-0482</b>     | \$27.95  |  |
| S&S 4 1/8" bore (includes #4, 5, 6, 7, 8, 9, 10, 11) .....              | <b>17-0481</b>     | \$40.95  |  |
| <b>19.</b> Silicone washer, 1/2" ID (each) .....                        | <b>50-7055</b>     | \$7.95   |  |
| 10 pack .....   | <b>50-7057</b>     | \$17.95  |  |
| <b>20.</b> Silicone washer, 3/8" ID (each) .....                        | <b>50-7054</b>     | \$7.95   |  |
| 10 pack .....   | <b>50-7059</b>     | \$17.95  |  |
| <b>21.</b> Hose, Vent, Breather, Epichlorohydrin Polymer .....          | <b>USA 17-0339</b> | \$14.95  |  |
| <b>22.</b> Clamp, Spring, 3/16" .....                                   | <b>50-8001</b>     | \$4.95   |  |
| <b>23.</b> Screw, wide head, 3/16-24 x 36 .....                         | <b>17-0346</b>     | \$10.95  |  |
| <b>24.</b> Breather vent fitting  |                    |          |  |
| 2006-'16 bt .....   | <b>17-0345</b>     | \$27.95  |  |
| <b>25.</b> Breather fitting (each) .....                                | <b>17-0350</b>     | \$9.95   |  |
| 2 pack .....  | <b>17-0355</b>     | \$12.95  |  |
| <b>26.</b> Check Valve .....  | <b>50-8122</b>     | \$16.95  |  |
| <b>27.</b> Breather hardware for 2006-'16 bt* .....                     | <b>17-0455</b>     | \$61.95  |  |
| <b>28.</b> Breather hardware for 4 1/8" bore* .....                     | <b>31-2104</b>     | \$61.95  |  |

(\*Not included in air cleaner kit)



**NOTE:**

Breather hardware not included in these air cleaner kits.

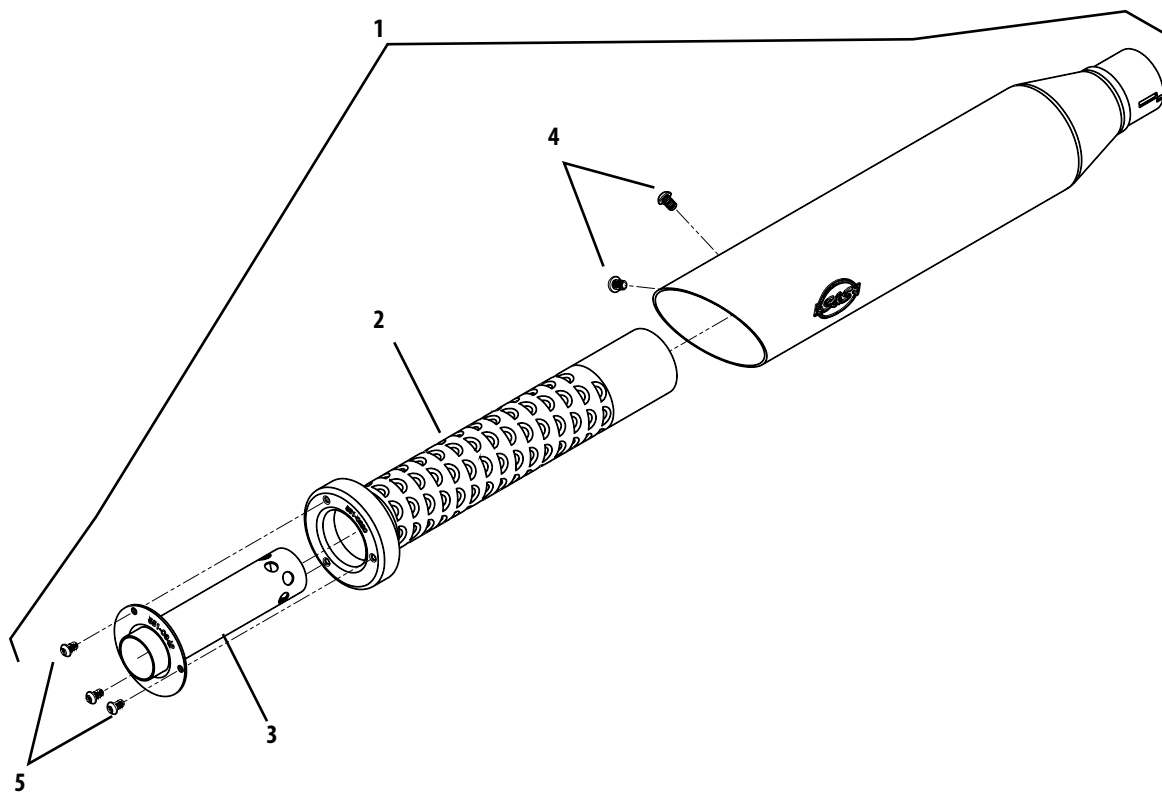
⚠ WARNING: Cancer and Reproductive Harm — www.P65Warnings.ca.gov

2007-17  
TWIN CAM  
96"/103"/110"



**Kit Part #: 550-0718 and 550-0720**

- 1. Slash Cut Muffler Assembly, Front or Rear
  - Chrome ..... **551-0308** \$254.95
  - Black ..... **551-0311** \$244.95
- 2. Main Baffle Assembly ..... **551-0301** \$50.95
- 3. dB Reducer Baffle ..... **551-0350** \$29.95
- 4. Button head cap screw, Stainless, 1/4"-20x3/8"1  
 (Hold Main baffle assy to muffler shell) ..... **500-0441** \$4.95
- 5. Socket head cap screw, Stainless, 10-32x3/8"  
 (Hold db reducer baffle to main baffle assy) ..... **500-0570** \$4.95



WARNING: Cancer and Reproductive Harm – www.P65Warnings.ca.gov

MB

2007-17  
TWIN CAM  
96"/103"/110"

1999-'06  
TWIN CAM  
88"

SPORTSTER, STREET,  
NIGHTSTER, STREET ROD  
& BUELL

TOOLS &  
SHOP  
SUPPLIES

WARRANTY &  
COMPANY  
POLICY

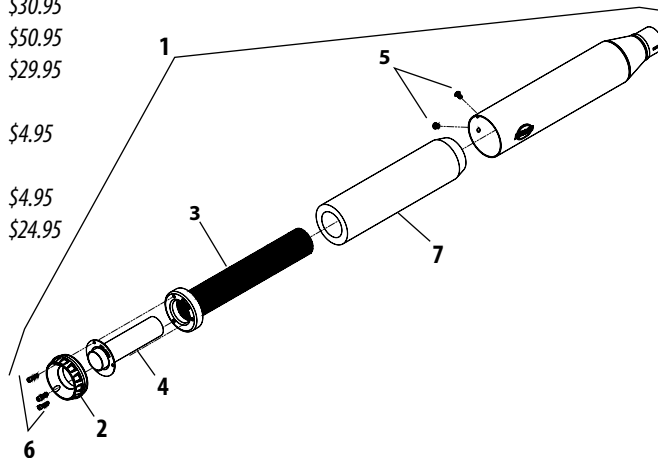
APPENDIX



Replacement Parts

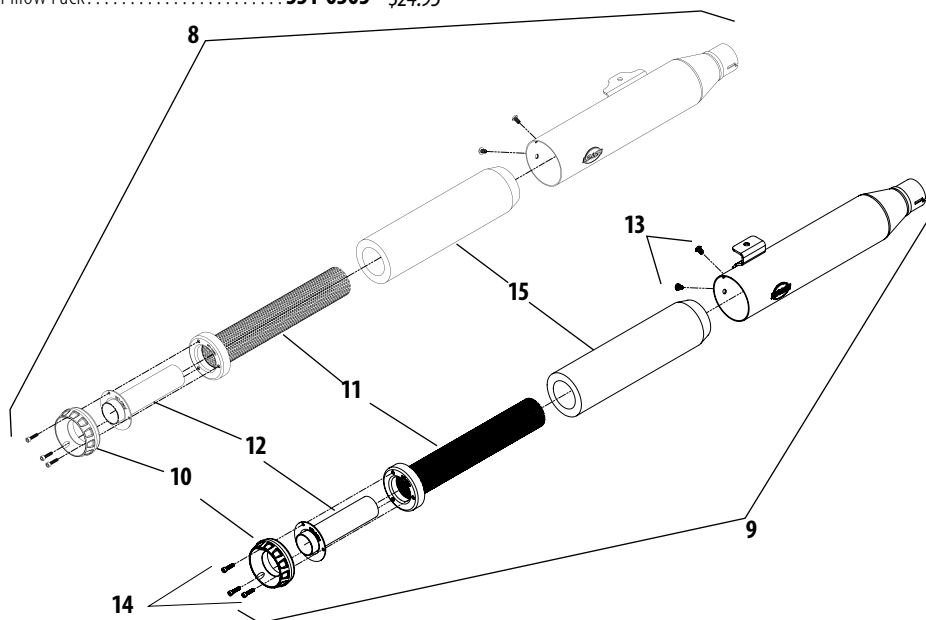
**Kit Part #: 550-0719 and 550-0721**

1. Grand National Muffler Assembly Front or Rear  
 Chrome ..... **551-0314**± \$356.95  
 Black..... **551-0317** \$356.95
2. End cap ..... **551-0292** \$30.95
3. Main Baffle Assembly ..... **551-0299** \$50.95
4. dB Reducer Baffle ..... **551-0304** \$29.95
5. Button head cap screw, Stainless, 1/4"-20x3/8"  
 (Hold Main baffle assy to muffler shell)..... **500-0441** \$4.95
6. Socket head cap screw, Stainless, 10-32x3/4"  
 (Hold end cap to main baffle assy) ..... **500-0569** \$4.95
7. Insulation, Muffler, Pillow Pack..... **551-0305** \$24.95



**Kit Part #: 550-0723 and 550-0725**

8. Muffler Assembly, Grand National, Top  
 Chrome ..... **551-0332**± \$367.95  
 Black..... **551-0335** \$377.95
9. Muffler Assembly, Grand National, Bottom  
 Chrome ..... **551-0338**± \$356.95  
 Black..... **551-0341** \$356.95
10. End cap ..... **551-0292** \$30.95
11. Main Baffle Assembly ..... **551-0299** \$50.95
12. dB Reducer Baffle ..... **551-0304** \$29.95
13. Button head cap screw, Stainless, 1/4"-20x3/8"  
 (Hold Main baffle assy to muffler shell)..... **500-0441** \$4.95
14. Socket head cap screw, Stainless, 10-32x3/4"  
 (Hold end cap to main baffle assy) ..... **500-0569** \$4.95
15. Insulation, Muffler, Pillow Pack..... **551-0305** \$24.95



± WARNING: Cancer and Reproductive Harm – www.P65Warnings.ca.gov

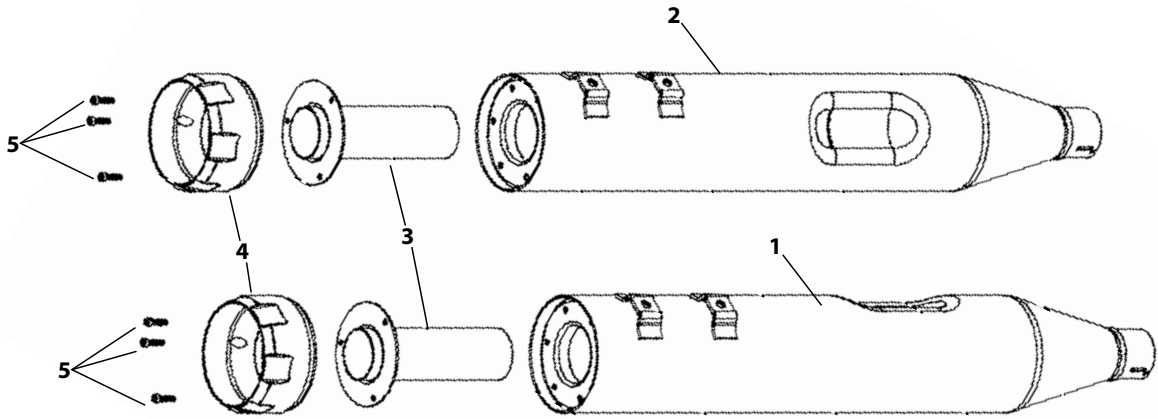
2007-17  
TWIN CAM  
96"/103"/110"



1. Right 4.5" Muffler assembly for 1995-2016 models		
Black.....	<b>551-1264</b>	\$346.95
Chrome .....	<b>551-1265</b>	\$346.95
2. Left 4.5" Muffler assembly for 1995-2016 models		
Black.....	<b>551-1266</b>	\$346.95
Chrome .....	<b>551-1267</b>	\$346.95
3. dB reducer .....	<b>551-1274</b>	\$34.95
4. End Cap		
Black Thruster .....	<b>551-1337</b>	\$65.95
Chrome Thruster .....	<b>551-1338</b>	\$163.95
Highlight Machine Black Tracer.....	<b>551-1645</b>	\$132.95
Chrome Tracer .....	<b>551-1646</b>	\$183.95
Black Cutlass .....	<b>551-1339</b>	\$61.95
5. Screw, SHC, High Temp Lock Patch, 10-32 x 3/4", Stainless Steel	<b>500-0569</b>	\$4.95

**Not Shown:**

Hardware kit, muffler clamps and screws		
Left .....	<b>551-1443</b>	\$12.95
Right.....	<b>551-1444</b>	\$13.95
Baffle		
Left .....	<b>551-1345</b>	\$80.95
Right.....	<b>551-1346</b>	\$71.95
Insulation .....	<b>551-0003</b>	\$31.95
Baffle Retaining Screw .....	<b>500-0441</b>	\$4.95



MB

2007-17  
TWIN CAM  
96"/103"/110"

1999-'06  
TWIN CAM  
88"

SPORTSTER, STREET,  
NIGHTSTER, STREET ROD  
& BIJEL

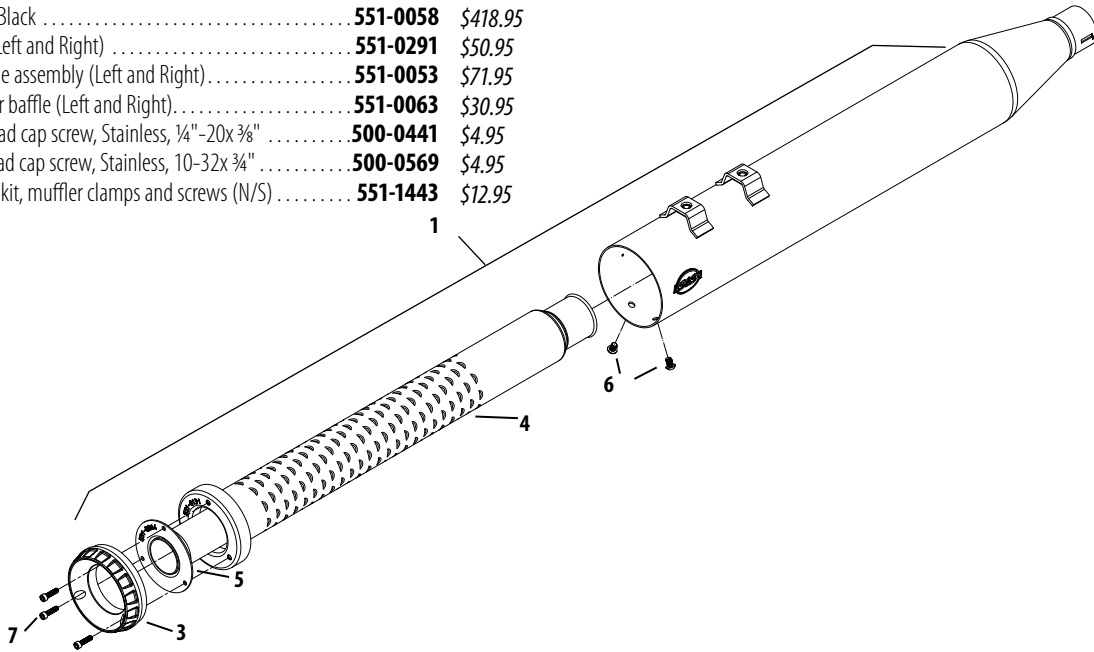
TOOLS &  
SHOP  
SUPPLIES

WARRANTY &  
COMPANY  
POLICY

APPENDIX



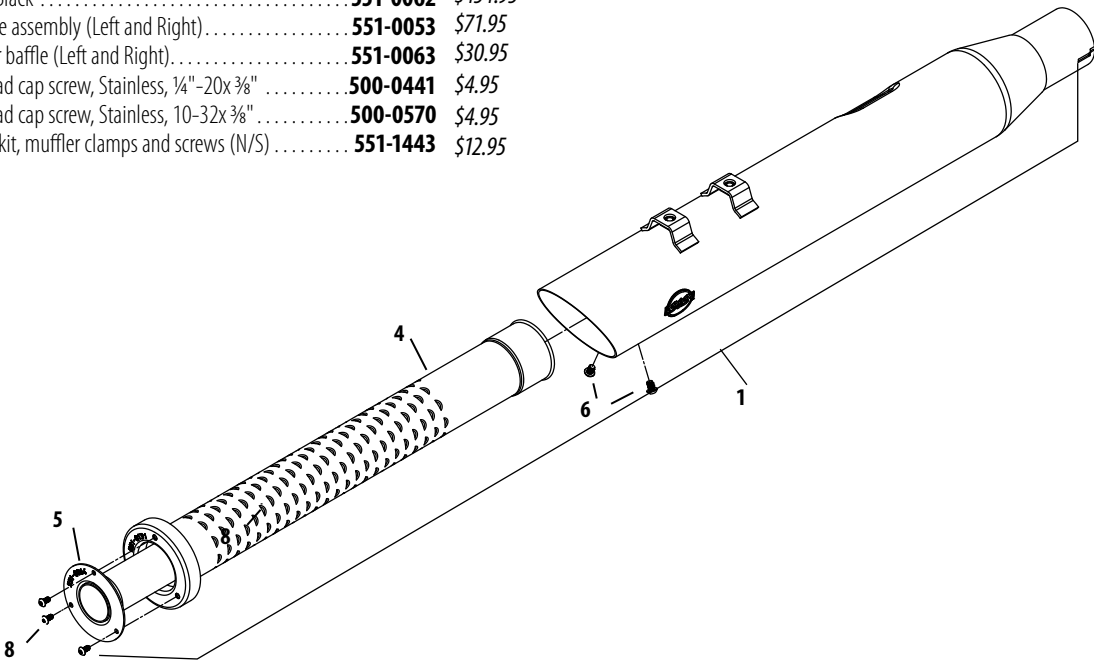
- 1. 4" Muffler assembly with Grand National end cap
  - Left, Chrome..... **551-0055**± \$346.95
  - Right, Chrome..... **551-0056**± \$346.95
  - Left, Black..... **551-0057** \$407.95
  - Right, Black..... **551-0058** \$418.95
- 3. End cap (Left and Right)..... **551-0291** \$50.95
- 4. Main baffle assembly (Left and Right)..... **551-0053** \$71.95
- 5. dB reducer baffle (Left and Right)..... **551-0063** \$30.95
- 6. Button head cap screw, Stainless, ¼"-20x ¾"..... **500-0441** \$4.95
- 7. Socket head cap screw, Stainless, 10-32x ¾"..... **500-0569** \$4.95
- 9. Hardware kit, muffler clamps and screws (N/S)..... **551-1443** \$12.95



2007-17  
TWIN CAM  
96"/103"/110"

Slash Cut Slip-Ons - 4" Replacement Parts

- 1. 4" Muffler assembly Slash Down
  - Left, Chrome..... **551-0059**± \$377.95
  - Right, Chrome..... **551-0060**± \$377.95
  - Left, Black..... **551-0061** \$454.95
  - Right, Black..... **551-0062** \$454.95
- 4. Main baffle assembly (Left and Right)..... **551-0053** \$71.95
- 5. dB reducer baffle (Left and Right)..... **551-0063** \$30.95
- 6. Button head cap screw, Stainless, ¼"-20x ¾"..... **500-0441** \$4.95
- 8. Button head cap screw, Stainless, 10-32x ¾"..... **500-0570** \$4.95
- 9. Hardware kit, muffler clamps and screws (N/S)..... **551-1443** \$12.95

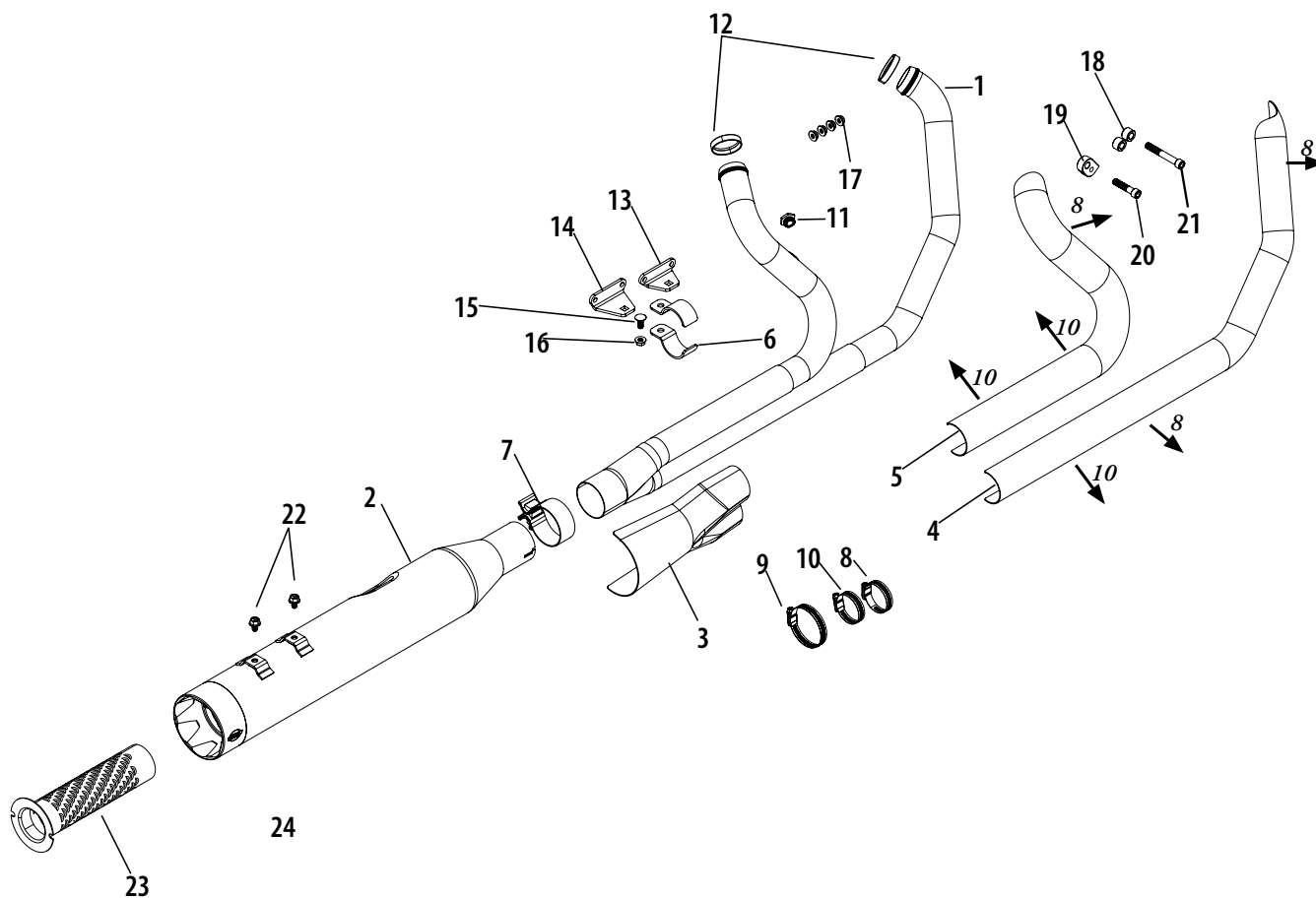


± WARNING: Cancer and Reproductive Harm – www.P65Warnings.ca.gov





1. Header, Assembly, 2 into 1, Weldment, 1995-'16 Touring Models ... <b>551-0705</b>	\$346.95	13. Bracket, header mount, 2-1, powdercoated, black, 2007-'16 touring models.....	<b>551-0719</b>	\$19.95	
2. Muffler, Street Legal Chrome.....	<b>551-0529C±</b>	\$892.95	14. Bracket, header mount, 2-1, powdercoated, black, 1995-'06 touring .....	<b>551-0786</b>	\$19.95
Black.....	<b>551-0530C±</b>	\$955.95	15. Bolt, Carriage, 3/8-16 x 1-1/4".....	<b>500-0553</b>	\$4.95
3. Collector, heat shield Chrome.....	<b>551-0379±</b>	\$132.95	16. Nut, Flanged, Serrated, 3/8-16.....	<b>500-0554</b>	\$4.95
Black.....	<b>551-0381A</b>	\$142.95	17. Nut, HSFH, 5/16-24 unf-2b x .283", Zinc, steel 7593 .....	<b>50-5025-S</b>	\$4.95
4. Heat shield, front, 2-1, Sidewinder®, chrome, 1995-'16 touring models Chrome.....	<b>551-0709±</b>	\$244.95	18. Washer, spacer, floor board .....	<b>551-0401</b>	\$11.95
Black.....	<b>551-0715A</b>	\$295.95	19. Spacer, floor board, powdercoated, black .....	<b>551-0399</b>	\$50.95
5. Heat shield, rear, 2-1, Sidewinder®, chrome, 1995-2016 touring models Chrome.....	<b>551-0712±</b>	\$197.95	20. Screw, shc, 3/8-16 x 1-3/4", zinc, steel .....	<b>500-0789</b>	\$4.95
Black.....	<b>551-0717A</b>	\$214.95	21. Screw, shc, 3/8-16 x 2-3/4", zinc, steel .....	<b>500-0790</b>	\$4.95
6. Clamp, header mount, 2-1, chrome plate, mild steel, 11 gauge, (Requires 2) .....	<b>551-0361</b>	\$10.95	22. Screw, hh, flg, serrated, 5/16-18 x 1/2".....	<b>500-0744</b>	\$4.95
7. Clamp, muffler, band style, 2.5" .....	<b>551-0135</b>	\$15.95	23. dB reducer .....	<b>551-0026</b>	\$28.95
8. Clamp, hose, worm drive, SAE #20 (qty. 3) .....	<b>551-0527</b>	\$4.95	24. end cap .....	<b>551-0395</b>	\$159.95
9. Clamp, hose, worm drive, SAE #40 .....	<b>551-0402</b>	\$6.95			
10. Clamp, hose, worm drive, SAE #24 (qty. 3) .....	<b>500-0791</b>	\$4.95			
11. Adapter, oxygen sensor, 12mm to 18mm, stainless steel .	<b>550-0375</b>	\$14.95			
12. Gasket, exhaust, tapered, stainless steel, 1984-up bt, 1986-up xl 65324-83B, 65324-83A .....	<b>106-5029</b>	\$7.95			



⚠️ WARNING: Cancer and Reproductive Harm – www.P65Warnings.ca.gov

MB

2007-'17  
TWIN CAM  
96"/103"/110"

1999-'06  
TWIN CAM  
88"

SPORTSTER, STREET,  
NIGHTSTER, STREET ROD  
& BUELL

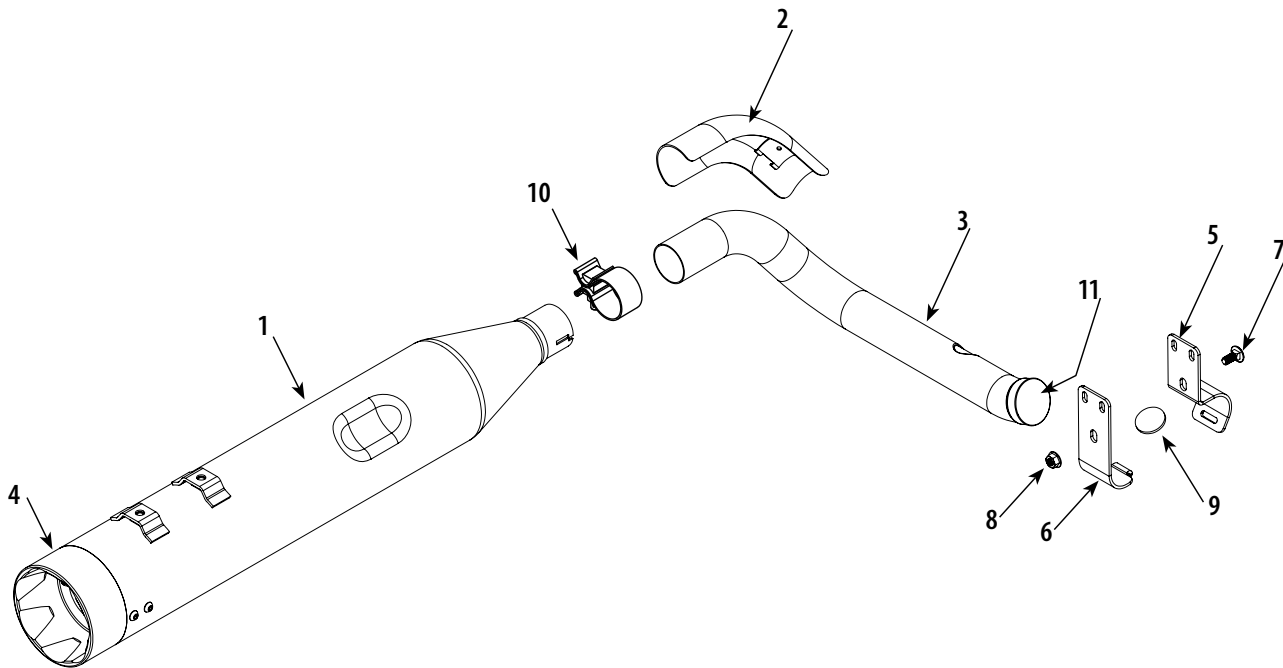
TOOLS &  
SHOP  
SUPPLIES

WARRANTY &  
COMPANY  
POLICY

APPENDIX

For 2009–2020 Models

1. Muffler shell		
Chrome .....	<b>551-1673</b>	\$356.95
Black .....	<b>551-1672</b>	\$356.95
2. Heat Shield		
Chrome .....	<b>551-0115</b>	\$71.95
Black .....	<b>551-0116</b>	\$71.95
3. Crossover .....	<b>551-0080</b>	\$90.95
4. End Cap .....	<b>551-1341</b>	\$119.95
Hardware Kit, Includes #5–9 .....	<b>551-1005</b>	\$70.95
5. Female clamp half .....	<b>551-0568</b>	\$12.95
6. Male clamp half .....	<b>551-0567</b>	\$12.95
7. Bolt, Carriage, 5/16-18 x 3/4" .....	<b>500-0555</b>	\$4.95
8. Nut, HSFH, 5/16-18 UNC-2B x .283", Zinc, Steel .....	<b>50-5053-S</b>	\$4.95
9. Bumper .....	<b>551-1419</b>	\$4.95
10. Muffler clamp .....	<b>551-0977</b>	\$9.95
11. Plug .....	<b>551-1000</b>	\$4.95

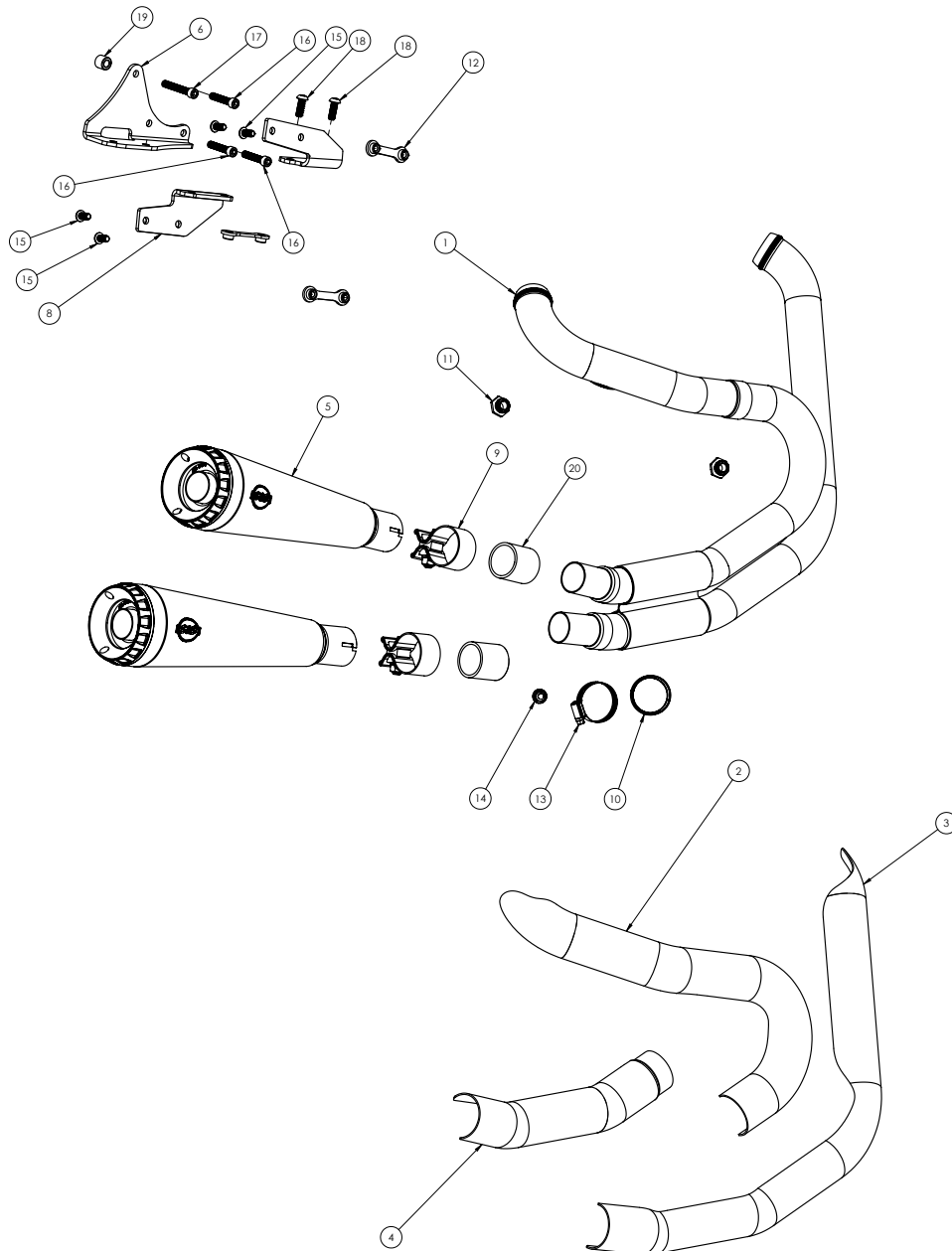


for 1995–2008 models:  
**See page 266**

2007-17  
 TWIN CAM  
 96"/103"/110"



1. Pipe, Header, 2-2, Weldment, 2006-'17 Dyna® .....	N/A	—	9. Clamp, Muffler, Band Style, 1.75" Diameter, 3/8-16 X 1.57" Bolt .....	<b>551-0569</b>	\$17.95
2. Shield, Rear, Upper, 2-2, Outside Process, Black, 2006-'17 Dyna® .....	<b>551-0506</b>	\$189.95	10. Gasket, Exhaust, Tapered, Stainless Steel, 1984-up bt, 1986-up xl65324-838, 65324-83A .....	<b>106-5029</b>	\$7.95
3. Shield, Front, 2-2, Outside Process, Black, 2006-'17 Dyna® .....	N/A	—	11. Adapter, Oxygen Sensor, 12mm To 18mm, Stainless Steel .....	<b>550-0375</b>	\$14.95
4. Shield, Rear, Lower, 2-2, Outside Process, Black, 2006-'17 Dyna® .....	<b>551-0512</b>	\$149.95	12. Plate, Nut, 5/16-18 X 2", Zinc Clear. ....	<b>551-0469</b>	\$5.95
5. Muffler, Assembly, Grand National, 2-2, Cone Body, Black .....	N/A	—	13. Clamp, Hose, Worm Drive, SAE #20 .....	<b>551-0527</b>	\$4.95
6. Bracket, Mounting, 2-2, Black, 2006-'17 Dyna® .....	N/A	—	14. Nut, hsfh, 5/16-24 Unf-2B X .283", Zinc, Steel 7593. ....	<b>50-5025-S</b>	\$4.95
7. Bracket, Top, Mounting, Muffler, 2-2, Powdercoated, Black, 2006-'17 Dyna® .....	N/A	—	15. Screw, bhc, 5/16-18 X 5/8", Zinc Plated. ....	<b>500-0763</b>	\$4.95
8. Bracket, Bottom, Mounting, Muffler, 2-2, Powdercoated, Black, 2006-'17 Dyna® .....	N/A	—	16. Screw, shcs, 5/16-18 X 1-1/2", Zinc Plated .....	<b>106-4401</b>	\$4.95
			17. Screw, shcs, 5/16-18 X 2", Zinc Plated .....	<b>500-0781</b>	\$4.95
			18. Screw, bhc, 5/16-18 X 7/8", Zinc Plated. ....	<b>500-0801</b>	\$4.95
			19. Spacer, Powdercoated, .625"X.332"X.55", Black .....	N/A	—
			20. Gasket, Muffler, 3.25", 2018 M8 Softail® .....	<b>551-0360</b>	\$9.95



M8

2007-'17  
TWIN CAM  
96"/103"/110"

1999-'06  
TWIN CAM  
88"

SPORTSTER, STREET,  
NIGHTSTER, STREET ROD  
& BUIEL

TOOLS &  
SHOP  
SUPPLIES

WARRANTY &  
COMPANY  
POLICY

APPENDIX



2007-17  
TWIN CAM  
96"/103"/110"

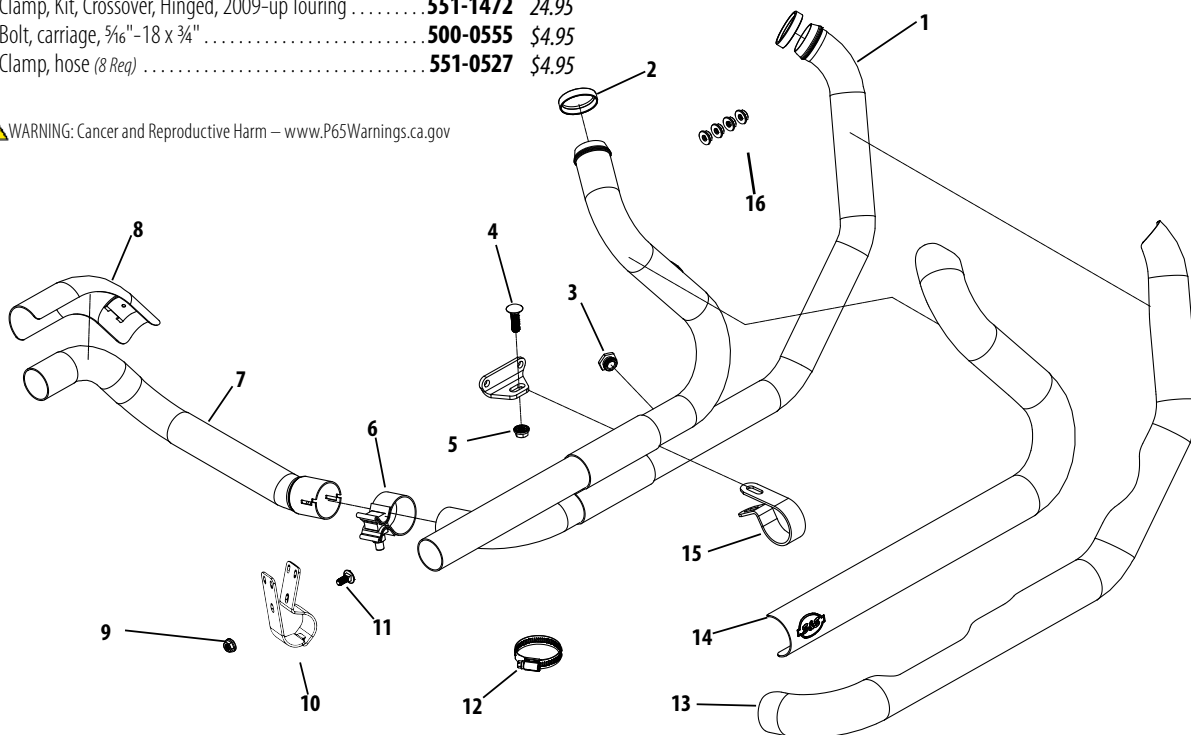
POWER TUNE® DUAL HEADERS			
Fitment	Finish	Part #	MSRP
1995-'08† big twins	Chrome ±	<b>550-0003A**</b>	<b>\$674.95</b>
	Black	<b>550-0142A**</b>	<b>\$744.95</b>
2009-'16 non-catalyst equipped touring and 2009-'18 Tri Glide†† models	Chrome ±	<b>550-0004B***</b>	<b>\$674.95</b>
	Black	<b>550-0143B***</b>	<b>\$744.95</b>

†Has 18mm sensor fittings in the stock locations for 2007-'08 bikes. If not equipped with oxygen sensors, the ports can be used for tuning. Plugs are included if ports are not used.  
 ††Requires the Trike Adaptor Kit part # 550-0799, page 87  
 \*\*DISCLAIMER: NOT LEGAL FOR SALE OR USE IN CALIFORNIA ON ANY POLLUTION CONTROLLED MOTOR VEHICLE. Not legal for sale or use on EPA pollution controlled vehicles originally equipped with catalyst.  
 \*Qualified manufacturer declared emissions replacement part on FL touring models listed below.  
 California Models: FL Touring Fuel Injected MY 1995-2003, and 2007; CVO FL Touring MY 2000-2003.  
 49 State Models: FL Touring Carbureted MY 1995-2005; FL Touring Fuel Injected MY 1995-2005 and 2007-2008; CVO FL Touring MY 2000-2005  
 \*\*\*DISCLAIMER: NOT LEGAL FOR SALE OR USE IN CALIFORNIA ON ANY POLLUTION CONTROLLED MOTOR VEHICLE. Not legal for sale or use on EPA pollution controlled motorcycles originally equipped with a catalyst exhaust  
 \*Qualified Manufacturer Declared Emissions Compliant Part for 2009 Harley-Davidson 49-State Non-CVO FL Touring Models Only  
 ‡ ⚠️ WARNING: Cancer and Reproductive Harm – www.P65Warnings.ca.gov

### Power Tune® Dual Header Replacement Parts

- |  |   |
|--|---|
| 1. Pipe, header, power tune dual, weldment, 2009-2016 touring . . . . . <b>551-0084</b> \$295.95                                   | 13. Shield, front, power tune dual, Chrome, 2009-2016 touring . . . . . <b>551-0097±</b> \$244.95 |
| 2. Gasket, exhaust, tapered, stainless steel, 1984-up bt, 1986-up xl (2 Req) 65324-838, 65324-83A . . . . . <b>106-5029</b> \$7.95 | Black, 2009-2016 touring . . . . . <b>551-0098A</b> \$302.95                                      |
| 3. Adapter, oxygen sensor, 12mm to 18mm, stainless steel (2 Req) . . . . . <b>550-0375</b> \$14.95                                 | 14. Shield, rear, power tune dual, Chrome, 2009-2016 touring . . . . . <b>551-0103</b> \$241.95   |
| 4. Bolt, carriage, 3/8"-16 x 1-1/4" . . . . . <b>500-0553</b> \$4.95   | Black, 2009-2016 touring . . . . . <b>551-0104A</b> \$265.95                                      |
| 5. Nut, flanged, serrated, 3/8"-16 . . . . . <b>500-0554</b> \$4.95  | 15. Clamp, p-style, power tune dual, side, 1995-2016 touring . . . . . <b>551-0119</b> \$13.95    |
| 6. Clamp, muffler, band style . . . . . <b>551-0569</b> \$17.95  | 16. Nut, HSFH, 5/16-24 . . . . . <b>50-5025-S</b> \$4.95  |
| 7. Tube, crossover, power tune dual, formed, 2009-2016 touring . . . . . <b>551-0080</b> \$90.95                                   |   |
| 8. Shield, left, power tune dual, Chrome, 2009-2016 touring . . . . . <b>551-0115±</b> \$71.95                                     | <b>Not Shown</b>  |
| Black, 2009-2016 touring . . . . . <b>551-0116</b> \$71.95   | Hardware kit, power tune dual, header, 2009-2016 touring  |
| 9. Nut, HSFH, 5/16-18 UNC-2b x .283", Zinc, steel . . . . . <b>50-5053-S</b> \$4.95  | Includes items 2-6, 9-12, 15, and 16 . . . . . <b>551-0155</b> \$112.95                           |
| 10. Clamp, Kit, Crossover, Hinged, 2009-up Touring . . . . . <b>551-1472</b> 24.95   |   |
| 11. Bolt, carriage, 5/16"-18 x 3/4" . . . . . <b>500-0555</b> \$4.95   |   |
| 12. Clamp, hose (8 Req) . . . . . <b>551-0527</b> \$4.95   |   |

± ⚠️ WARNING: Cancer and Reproductive Harm – www.P65Warnings.ca.gov



# 1999–2006 BIG TWINS

Look for updated black finishes on all of our exhaust systems! The tips are now coated in a durable Tuxedo black and the mufflers now feature our bomb-proof Guardian black coating that better matches factory header coatings, resists corrosion, and does not require heat cycling to fully cure.

## **Performance Kits**

4" Bore Sidewinder Big Bore Kit .....	191
95" Hot Set Up Kit .....	195
97" Big Bore Kits .....	194
98" Big Bore Kits .....	194
106" Stroker Kits .....	193
124" Hot Set Up Kit .....	192
Performance Kit Overview .....	190
Power Pack .....	207

## **Performance Engines**

T143 Engines .....	197
T-Series Long Block Engines .....	198

## **Performance Parts**

Air Cleaners .....	185
Camshafts .....	208
Carburetors .....	227
Crankcases .....	199
Cylinder Heads .....	218
Cylinders & Pistons .....	203
Drive Belts .....	236
Electronics .....	232
Exhaust .....	176
Flywheels .....	201
Gaskets .....	237
Gearcovers .....	203
Manifolds .....	225
Oil Pumps .....	202
Pushrods .....	214
Rocker Arms .....	217
Rocker Covers .....	224
Tappets .....	213
Throttle Bodies .....	226
Valve Springs .....	216

<b>Replacement Parts</b> .....	240
--------------------------------	-----



for 1995–'03 touring models

**FEATURES AND BENEFITS**

- 2-1 styling for high-performance baggers
- Increased power and torque
- Available in show chrome or Guardian black finish
- Highlight Machined aluminum end cap
- Includes adapters that allow use of wide band or stock O2 sensors
- Stainless steel header construction
- Removable dB reducer included
- Made in the USA!



Removable dB reducer



**SIDEWINDER® 2-1 FOR 1995–'09 FL MODELS — 1995–'03, 2007 FL MODELS — CA EMISSIONS LEGAL\*\***

Finish	Part #	MSRP
Chrome with Black Highlighted Machined end cap	550-0776	\$1,259.95
Black with Black Highlighted Machined end cap	550-0777	\$1,199.95

\*\*NOT LEGAL FOR SALE OR USE IN CALIFORNIA ON ANY POLLUTION CONTROLLED MOTOR VEHICLE. Not legal for sale or use on EPA pollution controlled vehicles originally equipped with catalyst. \*Qualified manufacturer declared emissions replacement part on FL touring models listed below. California Models: Fuel Injected Non-CVO FL Touring Model Years: 1995-2003 and 2007 CVO FL Touring Model Years: 2000-2003 49 State Models: Fuel Injected Non-CVO FL Touring Model Years: 1995-2005 and 2007-2009 CVO FL Touring Model Years: 2000-2005

**WARNING:** Cancer and Reproductive Harm — [www.P65Warnings.ca.gov](http://www.P65Warnings.ca.gov)

See next page for Left Side Shadow Pipe

**NOTE:**

Not recommended for Tri Glide® or other three wheel models including conversions due to ground clearance.



REPLACEMENT PARTS: 269

1999-'06  
TWIN CAM  
88



For 1995–2022 Touring Models  
With S&S Sidewinder® 2-1

**FEATURES AND BENEFITS**

- Available in show chrome and ceramic black finish
- Shadow muffler fills left side cutout in extended bags when running Sidewinder 2-1
- Matching end caps for left and right side  
*(not available on any of our slip-on or El Dorado products)*
- 4.5" design
- All hardware included
- Made in USA!



1995–2008 TOURING MODELS EQUIPPED WITH S&S® SIDEWINDER® 2-1		
Finish	Part #	MSRP
Chrome	550-0828	\$474.95
Black	550-0830	\$470.95

IF YOU HAVE...			...YOU'LL NEED
BIKE	FINISH	SIDEWINDER PART #	SHADOW PIPE PART #
1995–2008 touring model	Chrome	550-0776	550-0828
		550-0771B	
	Black	550-0777	550-0830
		550-0772B	



REPLACEMENT PARTS: 270

MB

2007–17 TWIN CAM 96"/103"/110"

1999–06 TWIN CAM 88"

SPORTSTER, STREET, NIGHTSTER, STREET ROD & BUJEL

TOOLS & SHOP SUPPLIES

WARRANTY & COMPANY POLICY

APPENDIX



**FITMENT**

- 1995–2009 Dyna® models with staggered exhaust

**FEATURES AND BENEFITS**

- Up to 16% more horsepower and 10% more torque (when used with Stealth Air Cleaner Kit)
- Wake up your bike without breaking your budget
- Classic slash cut styling
- Show chrome or black finish
- SAE J2825 sound level compliant
- 50-state legal
- Removable dB reducer
- Made in USA!



Removable dB reducer



1999-06  
TWIN CAM  
88

SLASH CUT SLIP-ONS FOR 1995–2009 DYNA® MODELS WITH STAGGERED EXHAUST		
Finish	Part #	MSRP
Chrome	550-0718	\$388.95
Black	550-0720	\$377.95

NOT LEGAL FOR SALE OR USE IN CALIFORNIA ON ANY POLLUTION CONTROLLED MOTOR VEHICLES. Not legal for sale or use on EPA pollution controlled motorcycles originally equipped with mufflers containing catalyst. \*Qualified Manufacturer Declared Emissions Replacement Part on the Dyna Models Listed Below. California Models: MY 2006-2007, Except CVO models 49 State Models: MY 1995-2009, Except CVO models  
 ⚠️ WARNING: Cancer and Reproductive Harm – www.P65Warnings.ca.gov



REPLACEMENT PARTS: 268





**FITMENT**

- 1995–2009 Dyna® models with staggered exhaust

**FEATURES AND BENEFITS**

- Up to 17% more horsepower and 9% more torque (when used with Stealth Air Cleaner Kit)
- Race inspired Grand National end caps
- Show chrome or black finish
- Deep performance rumble
- SAE J2825 sound level compliant
- 50-state legal
- Removable dB reducer
- Made in USA!



Removable dB reducer



GRAND NATIONAL® SLIP-ONS FOR 1995–2009 DYNA® MODELS WITH STAGGERED EXHAUST		
Finish	Part #	MSRP
Chrome	550-0719	\$484.95
Black	550-0721	\$499.95

NOT LEGAL FOR SALE OR USE IN CALIFORNIA ON ANY POLLUTION CONTROLLED MOTOR VEHICLES. Not legal for sale or use on EPA pollution controlled motorcycles originally equipped with mufflers containing catalyst. \*Qualified Manufacturer Declared Emissions Replacement Part on the Dyna Models Listed Below. California Models: MY 2006–2007, Except CVO models 49 State Models: MY 1995–2009, Except CVO models

WARNING: Cancer and Reproductive Harm – www.P65Warnings.ca.gov



REPLACEMENT PARTS: 268

MB

2007-'17  
TWIN CAM  
96"/103"/110"

1999-'06  
TWIN CAM  
88"

SPORTSTER, STREET,  
NIGHTSTER, STREET ROD  
& BUJELL

TOOLS &  
SHOP  
SUPPLIES

WARRANTY &  
COMPANY  
POLICY

APPENDIX



**FITMENT**

- 1995–2016 Harley-Davidson® touring models with non-catalyst mufflers

**FEATURES AND BENEFITS**

- Available in show chrome or Guardian black finish
- Economical price
- High flow baffle
- Aggressive sound & excellent HP
- Excellent clearance on trike models
- SAE J2825 sound level compliant
- Removable dB reducer
- Made in USA!



Removable dB reducer



1999-06  
TWIN CAM  
88

**SLASH CUT SLIP-ONS — 4" TOURING MUFFLERS FOR 1995–2016 BIG TWINS**

Finish	Part #	MSRP
Chrome	550-0691	\$525.95
Black	550-0692	\$560.95

NOT LEGAL FOR SALE OR USE IN CALIFORNIA ON ANY POLLUTION CONTROLLED MOTOR VEHICLES. Not legal for sale or use on EPA pollution controlled motorcycles originally equipped with mufflers containing catalyst. \*Qualified manufacturer declared emissions replacement part on the FL touring models listed below. California FL Touring Models: Fuel Injected MY 1995–2003, 2007, and 2009–2016 CVO MY 2000–2003, and 2009–2016 49 State FL touring Models: Carbureted MY 1995–2005 Fuel Injected MY 1995–2005, 2007–2016 CVO MY 2000–2005, and 2009–2016

WARNING: Cancer and Reproductive Harm — www.P65Warnings.ca.gov

**REPLACEMENT PARTS: 267**

**FITMENT**

- 1995–2016 Harley-Davidson® touring models with non-catalyst mufflers

**FEATURES AND BENEFITS**

- Available in show chrome or Guardian black finish
- Economical price
- High flow baffle
- Aggressive sound & excellent HP
- Excellent clearance on trike models
- SAE J2825 sound level compliant
- Removable dB reducer
- Made in USA!



Removable dB reducer



**GRAND NATIONAL® 4" SLIP-ONS FOR 1995–2016 BIG TWINS**

Finish	Part #	MSRP
Chrome	550-0689	\$576.95
Black	550-0690	\$601.95

NOT LEGAL FOR SALE OR USE IN CALIFORNIA ON ANY POLLUTION CONTROLLED MOTOR VEHICLES. Not legal for sale or use on EPA pollution controlled motorcycles originally equipped with mufflers containing catalyst. \*Qualified manufacturer declared emissions replacement part on the FL touring models listed below. California FL Touring Models: Fuel Injected MY 1995-2003, 2007, and 2009-2016 CVO MY 2000-2003, and 2009-2016 49 State FL touring Models: Carbureted MY 1995-2005 Fuel Injected MY 1995-2005, 2007-2016 CVO MY 2000-2005, and 2009-2016

**WARNING:** Cancer and Reproductive Harm – [www.P65Warnings.ca.gov](http://www.P65Warnings.ca.gov)

**REPLACEMENT PARTS: 267**

M8

2007-17  
TWIN CAM  
96"/103"/110"

1999-106  
TWIN CAM  
88"

SPORTSTER, STREET,  
NIGHTSTER, STREET ROD  
& BUJELL

TOOLS &  
SHOP  
SUPPLIES

WARRANTY &  
COMPANY  
POLICY

APPENDIX



Mk45 4.5" Touring Mufflers are the result of decades of riding, racing and tuning. Combining both a stainless steel baffle and fiberglass packing, they create a deep rumble and improved horsepower and torque, all while adding a unique look with styled aluminum end caps.

**FITMENT**

- 1995–2016 HD® touring models

**NOTE:**

Not recommended for Tri Glide® or other three wheel models, including conversions, due to ground clearance.

**FEATURES AND BENEFITS**

- 7 horsepower gain\*
- Bold 4.5" design — with stainless steel baffle and RaceTEX cartridge packing
- Available in show quality chrome or Guardian black finish
- Choose from S&S® Thruster or Tracer end-cap designs in chrome or black
- SAE J2825 sound level compliant
- 50-state legal
- Removable dB reducer
- Made in USA!

\*Tested with S&S Power Tune® Dual Header and Stealth Air Cleaner Kit



550-0620



550-0619



550-0624



550-0623



550-1017



550-1016



550-0621



550-0625

**Mk45 4.5" TOURING MUFFLERS WITH END CAPS**

Muffler Body Finish	End Cap Finish & Style	Part #	MSRP
Chrome	Black Cutlass	550-1017	\$797.95
	Chrome Thruster	550-0620	\$797.95
	Black Thruster	550-0619	\$782.95
	Chrome Tracer	550-0624	\$820.95
	Highlight Machined Tracer	550-0623	\$782.95
Black	Black Cutlass	550-1016	\$775.95
	Black Thruster	550-0621	\$815.95
	Highlight Machined Tracer	550-0625	\$815.95

NOT LEGAL FOR SALE OR USE IN CALIFORNIA ON ANY POLLUTION CONTROLLED MOTOR VEHICLES. Not legal for sale or use on EPA pollution controlled motorcycles originally equipped with mufflers containing catalyst. \*Qualified manufacturer declared emissions replacement part on the FL touring models listed below. California FL Touring Models: Fuel Injected MY 1995-2003, 2007, and 2009-2016 CVO MY 2000-2003, and 2009-2016 49 State FL touring Models: Carbureted MY 1995-2005 Fuel Injected MY 1995-2005, 2007-2016 CVO MY 2000-2005, and 2009-2016

⚠️ WARNING: Cancer and Reproductive Harm — www.P65Warnings.ca.gov



Removable dB reducer

REPLACEMENT PARTS: 266

1999-06  
TWIN CAM  
88



**FITMENT**

- Non-catalyst equipped Harley-Davidson® touring models‡
- 1995-'08 touring big twins

**FEATURES AND BENEFITS**

- Adds 8 horsepower over stock header pipes
- Independent dual look with hidden crossover
- Exclusive design moves the rear cylinder header away from the

- passenger to reduce radiated heat
- Full chrome or Guardian black heat shielding with 220° coverage
- Updated styling to give the bike a modern look
- Oxygen sensor bungs\*
- Spherical inlet design for improved sealing and exhaust gasket durability
- Hardware included to mount crossover pipe
- Exhaust port gaskets included
- Made in the U.S.A.



550-0142A

550-0003A

**NOTE:**

It may be necessary to re-jet the carburetor or recalibrate the fuel injection system for best performance when a change is made in the exhaust system. Dyno results are from tests performed at the S&S® Research and Development facility in Viola, Wisconsin.

**POWER TUNE® DUAL HEADERS**

Fitment	Finish	Part #	MSRP
1995-'08* big twins	Chrome	550-0003A	\$674.95
	Black	550-0142A	\$744.95

\*Has 18mm sensor fittings in the stock locations for 2007-'08 bikes. If not equipped with oxygen sensors, the ports can be used for tuning. Plugs are included if ports are not used.  
 NOT LEGAL FOR SALE OR USE IN CALIFORNIA ON ANY POLLUTION CONTROLLED MOTOR VEHICLE. Not legal for sale or use on EPA federal pollution controlled vehicles originally equipped with catalyst.  
 \*Qualified manufacturer declared emissions replacement part on FL touring models listed below. California Models: FL Touring Fuel Injected MY 1995-2003, and 2007 CVO FL Touring MY 2000-2003 49 State Models: FL Touring Carbureted MY 1995-2005 FL Touring Fuel Injected MY 1995-2005 and 2007-2008 CVO FL Touring MY 2000-2005  
 ⚠️ WARNING: Cancer and Reproductive Harm – www.P65Warnings.ca.gov

REPLACEMENT PARTS: 271

MB

2007-'17  
TWIN CAM  
96"/103"/110"

1999-'06  
TWIN CAM  
88"

SPORTSTER, STREET,  
NIGHTSTER, STREET ROD  
& BUJELL

TOOLS &  
SHOP  
SUPPLIES

WARRANTY &  
COMPANY  
POLICY

APPENDIX



Early Twin Cam

1999-.06  
TWIN CAM  
88





M 8

2007-'17  
TWIN CAM  
96"/103"/110"

1999-'06  
TWIN CAM  
88"

SPORTSTER, STREET,  
NIGHTSTER, STREET ROD  
& BUJELL

TOOLS &  
SHOP  
SUPPLIES

WARRANTY &  
COMPANY  
POLICY

APPENDIX



**FITMENT**

- 1999–2006 big twins

**FEATURES AND BENEFITS**

- Air directional stinger cone in the filter
- Use with any of several S&S designed covers. 186
- High flow (1" taller) filter kit available



**AIR STINGER STEALTH AIR CLEANER KITS**

The Air Stinger takes the existing high flow Stealth air cleaner and replaces the air smoothing stinger with a similarly shaped filter element. More filter surface equals 55% gain over a factory filter. Also available with the classic Mini Teardrop cover in black or chrome or as a replacement cover plate to update your existing Stealth system. The Air Stinger filter element is washable just like the Stealth filters and designed to last for years.

Fitment	Teardrop Finish	Part #	MSRP
2001-'17 big twin <i>except Throttle by Wire</i>	Gloss Black	<b>170-0722A</b>	<b>\$407.95</b>
2001-'17 big twin <i>except Throttle by Wire</i>	Chrome	<b>170-0721A</b>	<b>\$407.95</b>
2001-'17 big twin <i>except Throttle by Wire</i>		<b>170-0716A</b>	<b>\$236.95</b>
<b>AIR STINGER FILTER ONLY</b>		<b>170-0723A</b>	<b>\$71.95</b>

Exempt from emissions tampering regulations under CARB EO# D-355-45

⚠️ WARNING: Cancer and Reproductive Harm – www.P65Warnings.ca.gov



**STEALTH TRIBUTE COVER AIR CLEANER KITS**  
Kit includes Stealth Air Cleaner 170-0300B which is exempt from emissions tampering regulations under CARB EO# D-355-30

Fitment	Finish	Part #	MSRP
2001-'17 big twin ( <i>except Throttle by Wire</i> )	Chrome	<b>170-0596</b>	<b>\$377.95</b>
	Gloss Black	<b>170-0599</b>	<b>\$377.95</b>

⚠️ WARNING: Cancer and Reproductive Harm – www.P65Warnings.ca.gov



**STEALTH TEARDROP AIR CLEANER KITS**  
KIT INCLUDES STEALTH AIR CLEANER 170-0300B WHICH IS EXEMPT FROM EMISSIONS TAMPERING REGULATIONS UNDER CARB EO# D-355-30

Fitment	Fuel System	Finish	Part #	MSRP
2001-'17 big twin ( <i>except 2017 touring models &amp; Throttle by Wire</i> )	Stock EFI, Delphi® EFI	Chrome	<b>170-0528</b>	<b>\$367.95</b>
		Gloss Black	<b>170-0529</b>	<b>\$367.95</b>

⚠️ WARNING: Cancer and Reproductive Harm – www.P65Warnings.ca.gov



**CARBON FIBER TEARDROP KIT**  
KIT INCLUDES STEALTH AIR CLEANER 170-0300B WHICH IS EXEMPT FROM EMISSIONS TAMPERING REGULATIONS UNDER CARB EO# D-355-30

Fitment	Part #	MSRP
2001-'17 bt ( <i>except Throttle by Wire</i> )	<b>170-0499</b>	<b>\$550.95</b>



1999-'06  
TWIN CAM  
88





**MINI TEARDROP AIR CLEANER KITS**

KIT INCLUDES STEALTH AIR CLEANER 170-0300B WHICH IS EXEMPT FROM EMISSIONS TAMPERING REGULATIONS UNDER CARB EO# D-355-30

Fitment	Fuel System	Finish	Part #	MSRP
2001-'17 big twin (except 2017 touring models & Throttle by Wire)	Stock EFI, Delphi® EFI	Chrome	<b>170-0441</b>	<b>\$367.95</b>
		Gloss Black	<b>170-0442</b>	<b>\$367.95</b>

⚠️ WARNING: Cancer and Reproductive Harm – www.P65Warnings.ca.gov



**AIR 1 COVER AIR CLEANER KIT**

KIT INCLUDES STEALTH AIR CLEANER 170-0300B WHICH IS EXEMPT FROM EMISSIONS TAMPERING REGULATIONS UNDER CARB EO# D-355-30

Application	Fuel System	Part #	MSRP
2001-'17 big twin (except 2017 touring models & Throttle by Wire)	Stock EFI Delphi®	<b>170-0478</b>	<b>\$370.95</b>



**STEALTH AIR CLEANER KITS\*—NO COVER**

KIT INCLUDES STEALTH AIR CLEANER 170-0300B WHICH IS EXEMPT FROM EMISSIONS TAMPERING REGULATIONS UNDER CARB EO# D-355-30

Application	Fuel System	Part #	MSRP
2001-'17 big twin (except 2017 touring models, Throttle by Wire, & CVO® Models)	Stock EFI Delphi®	<b>170-0300B</b>	<b>\$195.95</b>

Choose an S&S Cover (186)



**STEALTH AIR CLEANER KITS\* — NO COVER**

Application	Fuel System	Part #	MSRP
1999-'06 big twins (except '99 Softail® carb & Throttle by Wire)	Stock CV/EFI Delphi®	<b>170-0060</b>	<b>\$195.95</b>
1999-'06 big twins	S&S Super E & G Carbs	<b>170-0058</b>	<b>\$195.95</b>

\*These kits do not contain covers—Choose an S&S Cover (186)

NOT LEGAL FOR SALE OR USE IN CALIFORNIA ON ANY POLLUTION CONTROLLED MOTOR VEHICLE. NOT LEGAL FOR SALE OR USE NATIONWIDE ON ANY FEDERAL POLLUTION CONTROLLED MOTOR VEHICLE UNDER THE CLEAN AIR ACT

**NOTE:**

Fuel injection tuning is not required with this product but is highly recommended for best results.

REPLACEMENT PARTS: 254

M8  
 2007-'17 TWIN CAM 96"/103"/110"  
 1999-'06 TWIN CAM 88"  
 SPORTSTER, STREET, NIGHTSTER, STREET ROD & BUJELL  
 TOOLS & SHOP SUPPLIES  
 WARRANTY & COMPANY POLICY  
 APPENDIX



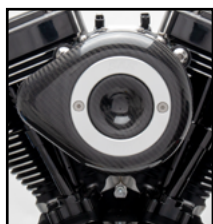
STEALTH AIR CLEANER KITS FOR S&S ENGINES			
Fitment	Fuel System	Part #	MSRP
2003-'17 HD® models (except '17 touring models)	S&S 66mm Throttle Hog	170-0165	\$203.95
2003-'17 HD® models (except '17 touring models)	S&S 58mm Throttle Hog	170-0164	\$203.95
1995-1999 S&S Super Stock Engines	S&S Single Bore VFI 52mm Throttle Bodies	170-0287	\$254.95
1995-1999 EFI big twins	S&S Single Bore VFI 58mm Throttle Bodies	170-0283	\$254.95
1999-2017 EFI big twins	S&S Single Bore VFI 58mm Throttle Bodies	170-0284	\$254.95
T124 1999-'06 bt (except '06 Dyna®) (Engines produced after 2013)	S&S E or G Carburetor	170-0058	\$195.95
T124 1999-'06 bt (except '06 Dyna®) (Engines produced after 2013)	Stock CV/EFI Delphi®	170-0060	\$195.95
T111 1999-'06 bt (except '06 Dyna®) (Engines produced after 2013)	S&S E or G Carburetor	170-0058	\$195.95
T111 1999-'06 bt (except '06 Dyna®) (Engines produced after 2013)	Stock CV/EFI Delphi®	170-0060	\$195.95

NOT LEGAL FOR SALE OR USE IN CALIFORNIA ON ANY POLLUTION CONTROLLED MOTOR VEHICLE. NOT LEGAL FOR SALE OR USE NATIONWIDE ON ANY FEDERAL POLLUTION CONTROLLED MOTOR VEHICLE UNDER THE CLEAN AIR ACT

Stealth Air Cleaner Kit COVERS (ONLY)



Tribute in Gloss Black



Carbon Fiber



Mini in Chrome



Mini in Gloss Black



Tri-Spoke



Torker



Air 1



Airstream in Chrome



Airstream in Gloss Black



111



124



143

STEALTH COVERS								
Tribute		Teardrop		Teardrop—Slasher		Carbon Fiber	Mini	
Chrome	Gloss Black	Chrome	Gloss Black	Chrome	Gloss Black	Black	Chrome	Gloss Black
170-0592	170-0593	170-0530	170-0531	170-0532	170-0533	170-0501	170-0367	170-0366
\$203.95	\$203.95	\$205.95	\$203.95	\$216.95	\$214.95	\$356.95	\$203.95	\$203.95

Tri-Spoke	Torker	Air 1	Airstream		Displacement		
Gloss Black w/Highlights	Gloss Black w/Highlights	Gloss Black w/Highlights	Chrome	Gloss Black	111	124	143
170-0210	170-0206	170-0214	170-0118	170-0396	170-0319	170-0321	170-0323
\$193.95	\$193.95	\$193.95	\$193.95	\$195.95	\$203.95	\$203.95	\$203.95

⚠ WARNING: Cancer and Reproductive Harm – www.P65Warnings.ca.gov

1999-'06  
TWIN CAM  
88



**FITMENT**

- 1999-'06 stock CV carbureted big twins (except 1999-'06 FXDWG/FXD35)
- 2001-'06 Delphi® EFI big twins

**FEATURES AND BENEFITS**

- Bolt-on performance — over twice the filtering area over stock intake system
- Increases horsepower and torque across the rpm range using air column inertia and carefully timed gas dynamic pressure waves
- Smooth intake tract of carefully selected tuned lengths increases performance
- High flow washable and reusable cotton media provides performance, protection, and economy



**SINGLE BORE TUNED INDUCTION SYSTEM KITS**

EXEMPT FROM EMISSIONS TAMPERING REGULATIONS UNDER CARB EO# D-355-30 FOR ALL FUEL INJECTED MODELS

Fitment	Fuel System	Finish	Part #	MSRP
2001-'17 big twin <i>(except 2017 touring models, Throttle by Wire, &amp; CVO® Models)</i>	Stock EFI Delphi®	Chrome/Red Filters	170-0308B	\$739.95

**WARNING:** Cancer and Reproductive Harm – [www.P65Warnings.ca.gov](http://www.P65Warnings.ca.gov)

**NOTE:**

Single bore tuned induction will not fit on motorcycles equipped with fairing lower glove boxes.  
Fuel injection tuning is not required with this product but is highly recommended for best results.



REPLACEMENT PARTS: 255

MB

2007-'17  
TWIN CAM  
96"/103"/110"

1999-'06  
TWIN CAM  
88"

SPORTSTER, STREET,  
NIGHTSTER, STREET ROD  
& BUJEL

TOOLS &  
SHOP  
SUPPLIES

WARRANTY &  
COMPANY  
POLICY

APPENDIX



**FEATURES AND BENEFITS**

- Efficient and free flowing intake that can add two to five horsepower
- Uniquely designed backplate has air horn style radiused entryway to reduce turbulence
- Dimpled cover with directional air cone inside creates smooth path for air
- Great addition to performance exhaust or cams

**KIT CONTENTS**

- Filter
- Backing plate and cover
- All mounting hardware
- Instructions



**CLASSIC TEARDROP AIR CLEANER KITS FOR STOCK EFI**

EXEMPT FROM EMISSIONS TAMPERING REGULATIONS UNDER CARB EO# D-355-30 FOR ALL FUEL INJECTED MODELS

Fitment	Fuel System	Finish	Stock EFI, with 96 & 103 Engines	MSRP
2001-'17 big twin (except 2017 touring models, Throttle by Wire, & CVO® Models)	Stock EFI Delphi®	Chrome	<b>170-0303B</b>	<b>\$329.95</b>
		Gloss Black	<b>170-0304B</b>	<b>\$329.95</b>

⚠️ WARNING: Cancer and Reproductive Harm – www.P65Warnings.ca.gov

**CLASSIC TEARDROP AIR CLEANER KITS**

Fitment	Finish	Stock Carb	S&S® Super E/G	MSRP
S&S 4 1/8" Bore engines with vaccum breathing	Slasher/Chrome	–	<b>17-0416</b>	<b>\$316.95</b>
1993-'06 carbureted big twins	Chrome	<b>17-0450±</b>	<b>17-0403</b>	<b>\$316.95</b>
	Gloss Black	<b>170-0181A</b>	–	

NOT LEGAL FOR SALE OR USE IN CALIFORNIA ON ANY POLLUTION CONTROLLED MOTOR VEHICLE. NOT LEGAL FOR SALE OR USE NATIONWIDE ON ANY FEDERAL POLLUTION CONTROLLED MOTOR VEHICLE UNDER THE CLEAN AIR ACT. ⚠️ WARNING: Cancer and Reproductive Harm – www.P65Warnings.ca.gov

**CLASSIC TEARDROP AIR CLEANER KITS FOR S&S SINGLE BORE EFI THROTTLE BODIES**

Fitment	Style/Finish	52mm	MSRP
Stock Harley-Davidson® heads or S&S Heads for stock or 4" bore head breathing	Teardrop/Chrome	<b>17-0498</b>	<b>\$316.95</b>

NOT LEGAL FOR SALE OR USE IN CALIFORNIA ON ANY POLLUTION CONTROLLED MOTOR VEHICLE. NOT LEGAL FOR SALE OR USE NATIONWIDE ON ANY FEDERAL POLLUTION CONTROLLED MOTOR VEHICLE UNDER THE CLEAN AIR ACT. ⚠️ WARNING: Cancer and Reproductive Harm – www.P65Warnings.ca.gov

**CLASSIC TEARDROP AIR CLEANER COVERS**

Style	Finish	Part #	MSRP
Classic Teardrop	Chrome	<b>17-0378</b>	<b>\$193.95</b>
	Gloss Black	<b>170-0384A</b>	<b>\$193.95</b>
Slasher Teardrop	Chrome	<b>17-0004</b>	<b>\$193.95</b>
	Gloss Black	<b>170-0419</b>	<b>\$191.95</b>
Nostalgic Teardrop	Polished	<b>17-0071</b>	<b>\$224.95</b>

⚠️ WARNING: Cancer and Reproductive Harm – www.P65Warnings.ca.gov



REPLACEMENT PARTS STARTING ON 256

1999-'06  
TWIN CAM  
88



**FITMENT**

- S&S® Air Stinger & Stealth Air Filters

**FEATURES AND BENEFITS**

- Water resistant
- Prevents large debris from prematurely clogging the filter
- Washable Nylon
- Promotes longer filter life
- Reduces the risk of water entering air intake system

**AIR STINGER PRE-FILTERS**

Fitment	Part #	MSRP
Teardrop	<b>170-0747</b>	<b>\$61.95</b>
Ring	<b>170-0748</b>	<b>\$61.95</b>

**STEALTH PRE-FILTERS**

Fitment	Part #	MSRP
Standard	<b>170-0193</b>	<b>\$61.95</b>
1" Tall	<b>170-0197</b>	<b>\$61.95</b>



170-0748



170-0197



170-0747

**High Flow Air Filter Kits**

**FITMENT**

- S&S air cleaners for Super E & G carbs and S&S EFI throttle bodies

**FEATURES AND BENEFITS**

- Low restriction filter element comes pre-oiled for true plug and play installation
- 1" wider filtration area provides up to 37% more airflow over standard S&S filters
- Resulting band of exposed filter material imparts a high performance look

**KIT CONTENTS**

- Wide filter
- Filter spacers

**HIGH FLOW AIR FILTERS**

Description	Fitment	Part #	MSRP
High Flow Air Filter Kit <i>(includes spacers)</i>	Classic Teardrop	<b>17-0045</b>	<b>\$81.95</b>
	Stealth	<b>170-0127*</b>	<b>\$91.95</b>
1" Taller Filter Only	Classic Teardrop	<b>106-4724</b>	<b>\$40.95</b>
	Stealth	<b>170-0154</b>	<b>\$61.95</b>
Spacer	Classic Teardrop & Stealth, 1" Taller	<b>50-5009-S</b>	<b>\$19.95</b>

\*NOT LEGAL FOR SALE OR USE IN CALIFORNIA ON ANY POLLUTION CONTROLLED MOTOR VEHICLE. NOT LEGAL FOR SALE OR USE NATIONWIDE ON ANY FEDERAL POLLUTION CONTROLLED MOTOR VEHICLE UNDER THE CLEAN AIR ACT



**Standard Replacement Filters**

**STANDARD REPLACEMENT AIR FILTERS**

Description	Fitment	Part #	MSRP
Standard Filter Only	Classic Teardrop	<b>106-4722</b>	<b>\$30.95</b>
	Stealth	<b>170-0126</b>	<b>\$61.95</b>



MB

2007-17  
TWIN CAM  
96"/103"/110"

1999-106  
TWIN CAM  
88"

SPORTSTER, STREET,  
NIGHTSTER, STREET ROD  
& BUJELL

TOOLS &  
SHOP  
SUPPLIES

WARRANTY &  
COMPANY  
POLICY

APPENDIX



For Harley-Davidson® Twin Cam 88®



**4" BORE BOLT-IN SIDEWINDER® BIG BORE KIT**

S&S 4" big bore cylinder and piston kits boost 88 and 96/103" Harley-Davidson® big twin engines to 100" and 110" respectively. These bolt-in kits don't require any machining, rebalancing or engine removal, and include just about everything you'll need to complete the installation. The biggest cylinder bore that can be installed in a stock crankcase without machining! 191



**124" HOT SET UP KIT**

Move to the ultimate in performance packages! Increase your bore to 4 3/8" and stroke to 4 5/8" to realize a massive 124 cubic inches of pure performance. This kit includes flywheel assembly, cylinders and pistons, S&S Easy Start 640 lift chain drive camshafts, hydraulic lifters, pushrods, covers, valve springs and rocker arms. Comes complete with all gaskets and instructions. Crankcases require boring to accept the larger cylinder spigots. 192



**106" STROKER KIT**

Stroke it! This performance package gives big displacement. The kit's flywheel assembly increases your stroke from 4 3/8" to a hefty 4 1/2" and bumps your 88" to 106". Oversize your stock cylinder bore from 3 3/4" to 3 7/8". No crankcase machining needed. Maintains stock engine height for easy installation. 193



**98 & 97" BIG BORE KIT**

Up the displacement of your Twin Cam® 88 to a whopping 98". This bolt-on cylinder kit adds significant displacement without any machining required to your engine. Stroke stays the same at 4.00". Bore increases from 3.750 to 3.937". This kit contains pistons, cylinders and all related parts, gaskets and instructions. 194



**95" HOT SET UP KIT**

Looking to go further? Consider the Hot Set Up Kits. These kits will put some stride in your glide. Pushrods, covers and hydraulic lifters are all included. Select from a variety of cylinder heads to achieve the compression ratio you desire or keep your stock heads. Kits include S&S Easy Start 570 or 585 chain drive camshafts. 195

1999-.06  
TWIN CAM  
88

PERFORMANCE KIT SPECIFICATIONS FOR HARLEY-DAVIDSON® TWIN CAM 88®													
KIT DESCRIPTION	BORE	STROKE	COMPRESSION RATIO								CAM	HORSEPOWER	TORQUE
			Stock Heads	79cc	89cc	91cc	CNC Heads					(CNC Heads)	
							83cc	85cc	87cc	90cc			
124" Hot Set Up Kit	4 3/8"	4 5/8"	10.9:1	11.4:1*	11.1	10.8:1	11.6:1	11.4:1	11.2:1	10.9:1	640	127	130
106" Stroker Kit	3 7/8"	4 1/2"	10.1:1	10.7:1	9.7:1	9.6:1	10.3:1	10.1:1	9.9:1	9.7:1	585	109	115
98" Big Bore Kit	3.937"	4"	10.4:1	11.1:1	9.9:1	9.7:1	10.6:1	10.3:1	10.1:1	9.8:1	—		
97" Big Bore Kit	3.927"	4"	9.7:1	10.3:1	9.3:1	9.1:1	9.8:1	9.6:1	9.5:1	9.2:1	—	103	107
95" Hot Set Up Kit	3 7/8"	4"	9.7:1	10.3:1	9.4:1	9.2:1	9.9:1	9.7:1	9.5:1	9.3:1	570	103	107

\*Not Recommended

PERFORMANCE KIT CONTENTS, OPTIONS AND REQUIREMENTS FOR HARLEY-DAVIDSON® TWIN CAM 88®													
KIT DESCRIPTION	PACKAGE CONTENTS										MACHINING REQUIRED	REJETTING OR CALIBRATION CHANGE	
	Flywheels	Cylinders	Pistons w/rings	Rocker Arms	Pushrods w/covers	Lifters	Cams	Valve Springs	Heads w/springs	Gaskets			
124" Hot Set Up Kit	●	●	●	●	●	●	●		0	●	3 4	●	
106" Stroker Kit	●		1								2	●	
98" Big Bore Kit		●	●							●		●	
97" Big Bore Kit		●	●							●		●	
95" Hot Set Up Kit		0	0 1		●	●	●		0	●	2	●	

0 = Optional  
 1 = Order separately  
 2 = Bore & hone cylinders  
 3 = Crankcase machining for center stud  
 4 = Crankcase machining for cylinder spigots



S&S 4" big bore cylinder and piston kits boost 88" Harley-Davidson® big twin engines to 100". These bolt-in kits don't require any machining, rebalancing or engine removal, and include just about everything you'll need to complete the installation. The biggest cylinder bore that can be installed in a stock crankcase without machining!

**FITMENT**

- 1999–2006 big twins

**FEATURES & BENEFITS**

- Bolts in. No machining, balancing, or splitting the crankcases
- 88 engines end up at 100"
- Complete kits include cylinders, pistons, gaskets, and instructions
- Choose from wrinkle black or silver powder coat cylinders —*matches stock finish*



**SPECS FOR S&S 4" BORE BOLT-IN CYLINDER & PISTON KITS**

Year	Stroke	Bore	Cylinder Length	Piston Type	Dome Volume	Compression Ratio		
						83cc CNC Heads	85cc Stock Heads	89cc S&S Heads
1999–2006	4"	4.00"	4.937"	Forged	8.75 pop up	10.8:1	10.5:1	10.1:1

**4" BORE BOLT-IN SIDEWINDER® BIG BORE KITS**

Displacement	Year	Stroke	Finish	Part #	MSRP
100	1999–2006 big twin	4"	Silver	<b>910-0642</b>	<b>\$1,594.95</b>
	1999–2006 big twin	4"	Wrinkle Black	<b>910-0646</b>	<b>\$1,550.95</b>

NOT LEGAL FOR SALE OR USE IN CALIFORNIA ON ANY POLLUTION CONTROLLED MOTOR VEHICLE. NOT LEGAL FOR SALE OR USE NATIONWIDE ON ANY FEDERAL POLLUTION CONTROLLED MOTOR VEHICLE UNDER THE CLEAN AIR ACT

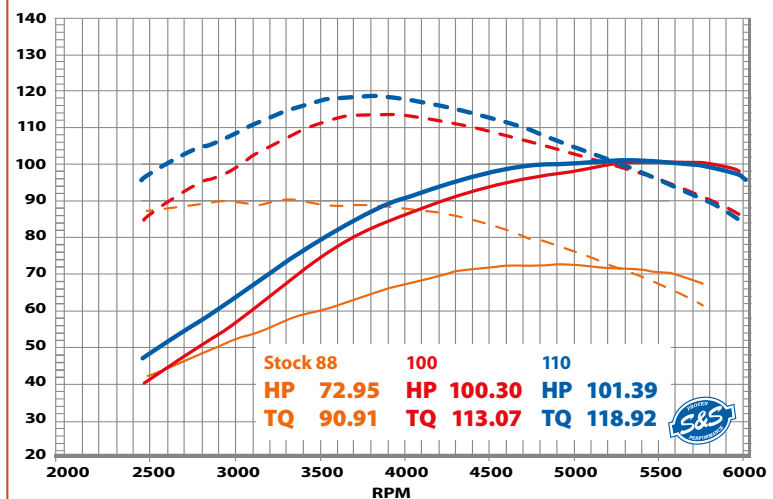


These dyno results from our DynoJet® 250i chassis dynamometer clearly show the performance increases available with the S&S bolt-in 4 inch bore kits. The lowest (red) set of curves represents a stock 88 cid engine in a 2004 Harley-Davidson® FLHR Road King®. The next curves above the stock baseline (blue) shows the performance of the S&S 100" bolt-in big bore kit. The highest set of curves show the results from an S&S 110" big bore kit installed in a 96 cid engine. The engines with the S&S 100" and 110" kits were also set up with S&S 585 cams, Power Tune® headers, Mk45 muffler, and the stock EFI throttle body with an S&S Stealth air cleaner.

**NOTE:**

- When using on a carbureted model, an adjustable performance ignition **must** be used.
- Not for use with S&S 79cc Cylinder Heads.
- Not for use on trike models.

**S&S® 100 & 110 4" Big Bore Kit**



MB

2007-'17  
TWIN CAM  
96"/103"/110"

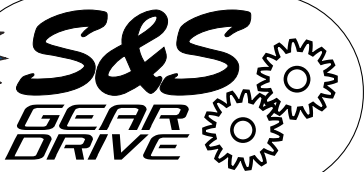
1999-'06  
TWIN CAM  
88"

SPORTSTER, STREET,  
NIGHTSTER, STREET ROD  
& BUJELL

TOOLS &  
SHOP  
SUPPLIES

WARRANTY &  
COMPANY  
POLICY

APPENDIX



900-0565

**FITMENT**

- All big twin models

**FEATURES AND BENEFITS**

- Huge displacement increase means huge power increase
- Stock crankcases, cylinder heads, oil pump, and cam cover can be reused, saving hundreds of dollars
- Original engine serial numbers are retained
- Gear drive S&S 640 Easy Start Cams included!
- Wrinkle black powder coat finish heads match factory finish, giving bike a "sleeper" advantage
- .045" MLS (multi-layered steel) head gaskets
- Adds .096" to engine height
- Kits with S&S heads use stock length manifolds (S&S size 410)

**S&S® 124" HOT SET UP KIT® SPECIFICATIONS**

Year	Stroke	Displacement	Bore	Cylinder Length	PISTON TYPE/COMPRESSION RATIO		
					91cc S&S Heads	89cc S&S Heads	85cc Stock Heads
1999-'06	4 5/8"	124"	4 1/8"	5.013"	Flat top forged/10.8:1	Flat top forged/11:1	Forged, 10.9cc dish/10.4:1

*Cylinder w/piston kits include fitted pistons and cylinders that require no boring or honing.*

**124" HOT SET UP KITS® FOR HARLEY-DAVIDSON® TWIN CAM 88®/88B™ ENGINES**

(Kits include S&S® Super Stock® 91cc Cylinder Heads) (10.8:1 Compression)

Model or Engine Type	Finish	Part #	MSRP
1999–2006 Twin Cam 88 touring and Dyna® (except 2006 Dyna® models)*	Wrinkle Black	900-0564	\$6,808.95
2000–2006 Twin Cam 88B Softail® w/Balancer	Wrinkle Black	900-0565	\$6,262.95

NOT LEGAL FOR SALE OR USE IN CALIFORNIA ON ANY POLLUTION CONTROLLED MOTOR VEHICLE. NOT LEGAL FOR SALE OR USE NATIONWIDE ON ANY FEDERAL POLLUTION CONTROLLED MOTOR VEHICLE UNDER THE CLEAN AIR ACT

\*For 2006 Dyna® 124" Kits, see Section 2.

**NOTE:**

Requires recalibration.

S&S Easy Start Cams save you money—no need to buy compression releases or S&S rocker covers. Note when using 1999-'06 chain drive cams: For lifts over .510", S&S strongly recommends that the stock chain drive be upgraded to the S&S gear drive or S&S TC3 oil pump and cam plate. This kit updates the problematic spring loaded chain tensioners to more reliable hydraulic tensioners and also upgrades the oil pump.

Main Bearing Note: S&S flywheel assemblies included in a 124" S&S Hot Set Up Kit® for 1999-'15 big twin engines are designed for use with Timken® sprocket shaft bearings. They will fit directly in stock 1999-'02 Harley-Davidson® crankcases and in all S&S crankcases for 1999-'15 big twin engines, with no modifications. However, stock 2003 and later engines use a roller type bearing for the sprocket shaft, and will require modification.

Due to the amount of power these engines produce with an S&S Hot Set Up Kit, S&S strongly recommends retrofitting 2003-'15 model crankcases to accept a Timken sprocket shaft bearing. A Timken conversion sleeve such as Screamin' Eagle® #34822-08 or Jim's® #956 may be used. A charging system spacer for 1999-'02 model year is also required.

This kit will require that the case be bored to accept the larger cylinders.

If you choose not to convert your crankcases to a Timken sprocket shaft bearing, S&S flywheels may be used in 2003 and later engines with the installation of the Harley-Davidson® bearing kit #24004-03B. This bearing kit adapts the S&S sprocket shaft to be compatible with stock roller type bearings. Verify that the bearing kit contains the 24604-00D or 24607-07 sprocket shaft bearing. Do not use a 24604-00, 24604-00A, 24604-00B or 24604-00C bearing. Please be advised that if this type of bearing is used, sprocket shaft bearing failure WILL NOT be covered under warranty.

Kits with S&S heads are machined special to compensate for engine height change to accommodate a stock length manifold. When using a kit with stock cylinder heads, S&S recommends using the appropriate length manifold. For a 124" with stock OEM cylinder heads, the standard manifold length is 417.

Center case bolt between cylinders will use waisted bolt kit 900-0807

1999-'06  
TWIN CAM  
88B





**FITMENT**

- 1999-'06 big twins

**FEATURES AND BENEFITS**

- Installation of the kit does not require any special machining, other than fitting the pistons
- S&S stroker pistons, which are sold separately, are available in all standard oversizes
- Stock 88" cylinders can be bored from 3¾" bore to 37⁄8" to accommodate the S&S pistons, or a pre-fit S&S cylinder and piston kit may be installed
- Engines with factory 95" kits require piston fitting only - stock or S&S cylinder heads can be used
- Fuel injected engines will require recalibration of the fuel injection system - the S&S VFI modules and closed loop sensor kits are highly recommended
- Piston jets (p/n 31-2026) included
- Maintains stock engine height



320-0460

S&S® 106" STOCK BORE STROKER KITS FOR HARLEY-DAVIDSON® TWIN CAM 88® AND TWIN CAM 88B™ ENGINES SPECIFICATION CHART						
Displacement	Stroke	Bore	Compression Ratio*	Piston Type	Piston Deck Height	Cylinder Length
106"	4½"	37⁄8"	10.1:1	Flat Top	1.020"	4.937"

\*Compression ratio with stock heads. Compression ratio with S&S 89cc heads 9.8:1. For additional compression use .030" MLS head gaskets- part #900-0605  
Includes S&S piston oiling jets

106" STROKER KITS FOR HARLEY-DAVIDSON® TWIN CAM 88® ENGINES WITH STOCK CYLINDERS								
Engine Displacement	Stroke	Sprocket Bearing Race	1999-2006 HD® big twin models (except 2006 Dyna® models)				2006 HD® Dyna® models	
			TC 88®	MSRP	TC 88B™	MSRP	MSRP	MSRP
S&S 106 Stroker	4 ½"	Yes	320-0459	\$1,744.95	320-0453	\$1,764.95	320-0449	\$1,764.95
		No	320-0460	\$1,713.95	320-0454	\$1,744.95	320-0450	\$1,744.95
Special Order	Specify	Specify	329-0002	\$10,099.95	329-0002	\$10,099.95	329-0002	\$10,099.95

Note - All S&S flywheel assemblies for 1999-'06 engines have connecting rods with 7.667" length and full width straight wristpin ends.

**! THESE KITS REQUIRE SPECIAL S&S PISTONS:** Order the required 92-1210 Series pistons. See chart.

92-1210 SERIES PISTONS FOR S&S® 106" STROKER KIT								CYLINDER & PISTON KIT*			
Standard	MSRP	+ .005"	MSRP	+ .010"	MSRP	+ .020"	MSRP	Silver	MSRP	Black	MSRP
92-1210	\$530.95	92-1214	\$530.95	92-1211	\$530.95	92-1212	\$530.95	910-0199	\$1,274.95	910-0203	\$1,244.95

Piston Deck Height 1.020" \*Cylinder w/piston kits include fitted pistons and cylinders that require no boring or honing.



MB

2007-'17 TWIN CAM 96"/103"/110"

1999-'06 TWIN CAM 88"

SPORTSTER, STREET, NIGHTSTER, STREET ROD & BUJELL

TOOLS & SHOP SUPPLIES

WARRANTY & COMPANY POLICY

APPENDIX



**FITMENT**

- 1999–2006 big twin

**FEATURES AND BENEFITS**

- 3.937" bore
- Cylinder and piston kits make going to larger bore sizes easy—no machining required
- Stock engine height is maintained
- 11 fin cylinder design closely resembles OEM shape and come prefinished—ready to install
- Increased fin area for better heat dissipation
- Centrifugal cast, gray iron liner features 40,000 psi tensile strength—superior wear and performance
- CP Pistons are recognized as industry leaders, and provide exceptional wear, performance and noise characteristics

**KIT CONTENTS**

- S&S cylinders with gaskets
- Piston set with rings, wristpins and wristpin clips



**NOTE:**

Not for use with S&S 79cc Cylinder Heads

**S&S® 98" BIG BORE KIT SPECIFICATION CHART**

Displacement	Stroke	Bore	Cylinder Length	Forged Piston Type	COMPRESSION RATIO (with provided .045" head gasket)		
					83cc CNC Ported Stock Heads	85cc Stock Heads	89cc S&S Heads
98"	4"	3.937"	4.937"	10cc Dome	10.6:1	10.4:1	9.9:1

Cylinder w/piston kits include pistons and cylinders that require no boring or honing.

**98" BIG BORE KITS**

**REPLACEMENT PARTS FOR PISTONS: 272**

Cylinder Finish	Part #	MSRP
Silver powder coat	<b>910-0482</b>	<b>\$1,318.95</b>
Wrinkle Black powder coat	<b>910-0481</b>	<b>\$1,318.95</b>

NOT LEGAL FOR SALE OR USE IN CALIFORNIA ON ANY POLLUTION CONTROLLED MOTOR VEHICLE. NOT LEGAL FOR SALE OR USE NATIONWIDE ON ANY FEDERAL POLLUTION CONTROLLED MOTOR VEHICLE UNDER THE CLEAN AIR ACT

**97" Big Bore Kits**

**FITMENT**

- 1999–'06 big twins

**FEATURES AND BENEFITS**

- No case machining required
- Bolt-on 9 to 10 cubic inches—cylinders do not require crankcase machining to install
- Piston weight for 97" kits are the same as stock, requiring no flywheel rebalancing
- Forged coated pistons are compatible with stock or S&S Super Stock® 79cc & 89cc heads
- Valve pocket recessed in S&S pistons are enlarged for oversize valves and

higher lift cams

- Maintains stock engine height
- 11 fins and full fin pattern on cam side closely resembles OEM shape

**OPTIONS**

- Oversize pistons available — 206

**KIT CONTENTS**

- S&S cylinders with gaskets
- Piston set with rings

**S&S® 97" BIG BORE KITS SPECIFICATION CHART**

Displacement	Stroke	Bore	Cylinder Length	Forged Piston Type	Compression Ratio			
					79cc S&S Heads	83cc CNC Ported Stock Heads	85cc Stock Heads	89cc S&S Heads
97"	4"	3.927"	4.937"	3cc Dome	10.3:1	9.9:1	9.7:1	9.3:1

Cylinder w/piston kits include fitted pistons and cylinders that require no boring or honing.

**97" BIG BORE KITS**

Cylinder Finish	Part #	MSRP
Silver powder coat	<b>910-0201</b>	<b>\$1,183.95</b>
Wrinkle Black powder coat	<b>910-0205</b>	<b>\$1,183.95</b>

NOT LEGAL FOR SALE OR USE IN CALIFORNIA ON ANY POLLUTION CONTROLLED MOTOR VEHICLE. NOT LEGAL FOR SALE OR USE NATIONWIDE ON ANY FEDERAL POLLUTION CONTROLLED MOTOR VEHICLE UNDER THE CLEAN AIR ACT



**NOTE:**

S&S® highly recommends installing a performance cam for easier starting and better engine performance. S&S high flow cylinder heads will provide further horsepower gains. For an additional .2 bump in compression, order .030" thick head gaskets #900-0605 (2 pack). Remember to check your clearances. These kits require tuning.

1999-'06  
TWIN CAM  
98"



**FITMENT**

- 1999-'06 big twins

**FEATURES AND BENEFITS**

- .045" MLS head gaskets
- Up to a 40 HP increase
- True bolt on kit, no machining required
- Maintains stock engine height
- Kits include S&S 585 gear drive cams
- S&S pushrods are made of high strength chrome-moly tubing
- Valve pocket recesses in S&S pistons are enlarged for oversize valves and high lift cams



**S&S® 95" HOT SET UP KIT® SPECIFICATIONS**

Displacement	Stock Stroke	Bore	Cylinder Length	Forged Piston Type	Compression Ratio 79cc S&S Heads
95"	4"	37/8"	4.937"	5.3cc pop-up dome	10.4:1

*Cylinder w/piston kits include fitted pistons and cylinders that require no boring or honing.*

**95" SUPER STOCK® HOT SET UP KITS® FOR 88" ENGINES  
INCLUDES S&S 37/8" BORE CYLINDERS AND PISTONS, 585 GEAR DRIVE CAMS AND 79CC HEADS**

APPLICATION	WRINKLE BLACK	MSRP
1999-'06 (except 2006 Dyna® Models*)	106-0214	\$4,030.95

NOT LEGAL FOR SALE OR USE IN CALIFORNIA ON ANY POLLUTION CONTROLLED MOTOR VEHICLE. NOT LEGAL FOR SALE OR USE NATIONWIDE ON ANY FEDERAL POLLUTION CONTROLLED MOTOR VEHICLE UNDER THE CLEAN AIR ACT

⚠ WARNING: Cancer and Reproductive Harm – www.P65Warnings.ca.gov

**REPLACEMENT PARTS FOR PISTONS: 272**

**NOTE:**

Fuel injected engines will require recalibration of the fuel injection system. The S&S VFI modules and closed loop sensor kits are highly recommended.

Stock cylinders must either be bored to 37/8" or replaced with S&S® 37/8" bore cylinders.

S&S recommends either CNC porting stock cylinder heads or purchasing Super Stock® heads to maximize the effect of higher lift cams. Stock cylinder heads will produce significantly less power. S&S can CNC port your heads, for an economical increase in power.

For 95" kits ordered without cylinders, pistons must be measured and cylinders bored/honed accordingly. Recommended piston fitment:

Close: 0.0020" – 0.0025"    Loose: 0.0032" – 0.0045"

92-1200 series pistons have a 1.270" deck height.

.030" MLS head gaskets optional: Part #900-0606

S&S Easy Start Cams can save you money—no need to buy compression releases or S&S rocker covers. Note when using 1999-'06 chain drive cams: For lifts over .510", S&S strongly recommends that the stock chain drive be upgraded to the S&S gear drive or S&S TC3 oil pump and cam plate. This kit updates the problematic spring loaded chain tensioners to more reliable hydraulic tensioners and also upgrades the oil pump.

MB

2007-'17  
TWIN CAM  
96"/103"/110"

1999-'06  
TWIN CAM  
88"

SPORTSTER, STREET,  
NIGHTSTER, STREET ROD  
& BUJEL

TOOLS &  
SHOP  
SUPPLIES

WARRANTY &  
COMPANY  
POLICY

APPENDIX

S&S performance engines for 1999–'06 Harley-Davidson® big twins are available as long blocks which do not include fuel or ignition systems. Emissions compliant engines are complete. Engines are protected by super tough powder coat finishes. Available in silver and chrome, wrinkle black and chrome, Stone Grey and chrome, and Black Edition color schemes. Stone Grey matches the engine finish on CVO models. Black Edition is a wrinkle black engine with gloss black covers.

### **BLACK EDITION**

S&S Cycle's new Black Edition engines combine classic wrinkle black with high gloss black powder coated covers for a subtle contrast and elegant look while still producing the power and reliability you've come to expect.

### **T143 (143 cid)**

Now available for 1999-2006 chassis, the T143 long block engine is the largest (143 cid) S&S engine that will fit in a stock chassis. Available in silver, wrinkle black, or black edition finishes. Long blocks come without fuel or ignition systems (available separately) and an oil line installation kit is required. The 160 rear wheel horsepower also requires performance drive train upgrades. Not for the faint of heart!

### **T124 (124 cid)**

The S&S T124 long block engine has been our daily rider hot rod since 2004. The combination of day in and day out reliability and brutal power make it the perfect choice. Available in silver, wrinkle black, or black edition finishes. Long blocks come without fuel or ignition systems (available separately) and an oil line installation kit is required. Our Super G carburetors and Throttle Hog EFI throttle bodies are highly recommended.

### **T111 (111 cid)**

The S&S T111 long block is the ultimate sport touring engine. The shorter stroke provides a perfect combination of performance, engine life, quiet operation, and reduced vibration. Available in silver, wrinkle black, or black edition finishes. Long blocks come without fuel or ignition systems (available separately) and an oil line installation kit is required. Our Super E and G carburetors and Throttle Hog EFI throttle bodies are available to complete the package.

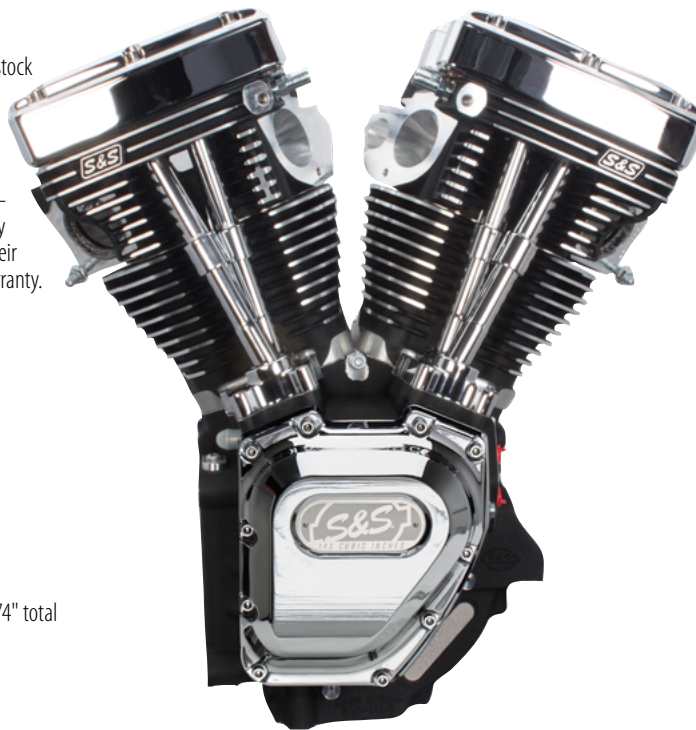




**The BIGGEST, BADDEST, BOLT-IN for a Stock Frame.**

The S&S T143 Long Block engine is the largest S&S engine that will fit in a stock Harley-Davidson® chassis.

At double the HP of a stock motor the power of the T143 requires technical expertise for the installation and tuning along with an experienced rider. This is an ultra performance/race engine. Longevity, engine noise, vibration and throttle sensitivity have all been compromised to reach this level of performance while fitting in a stock chassis and as such is not suitable for every situation. It is the purchaser's responsibility to consider the suitability for their application. Engine noise and damage from abuse is not covered under warranty.



**FITMENT**

- 1999–2006 Harley-Davidson® touring models
- 1999–2005 Harley-Davidson® Dyna® models

**FEATURES AND BENEFITS**

- Fits in stock chassis – no cutting or frame modifications
- S&S B3 cylinder heads CNC machined with 2 bolt exhaust flanges
- 3 Piece Flywheels
- TC3 Oil Pump and Cam Plate
- S&S 635 Easy Start Gear Drive Cams and S&S 1.725:1 rocker arms for .674" total lift.
- S&S Precision Tappets

**SUGGESTED ACCESSORIES**

- Stealth Air Cleaner Kit 143 Cover  
197

T143 ENGINES WITHOUT FUEL AND IGNITION SYSTEMS										
Chassis Style	Displacement	Bore	Stroke	Cam	Piston Type	Compression Ratio	Warranty Period	Finish	Part #	MSRP
1999-'06 touring models 1999-'05 Dyna® models	143"	4.425"	4.625"	635	S&S Forged Flat Top	10.47:1	1 year	Wrinkle Black	310-0737A	\$11,524.95
1999–2006 bt (except '06 Dyna®)								Black Edition	310-0833A	\$11,739.95

FOR CLOSED COURSE COMPETITION USE ONLY. NOT INTENDED FOR STREET USE. LEGAL IN CALIFORNIA ONLY FOR RACING VEHICLES WHICH MAY NEVER BE USED, OR REGISTERED OR LICENSED FOR USE, UPON A HIGHWAY. NOT LEGAL FOR SALE OR USE NATIONWIDE ON ANY FEDERAL POLLUTION CONTROLLED MOTOR VEHICLE UNDER THE CLEAN AIR ACT.

**OIL LINE INSTALLATION KIT.** See chart.

**NOTE:** T-Series engines are not compatible with HD® Softail® models. No fuel system available for 1999–2001 Magnetti Morelli EFI models

INSTALLATION PARTS		
Description	Part #	MSRP
Super G Carburetor Kit w/air cleaner*	110-0120	\$1,668.95

\*Air cleaner assemblies included with these carburetor kits do not include air cleaner covers. Stock 1999-later air cleaner or any S&S Stealth air cleaner covers may be used.

INDUCTION KITS			
Description	Part #	MSRP	
70mm Induction Kit	2002-'05 Dyna® & touring models	170-0289	\$2,080.95
	2006-'07 touring models 2007-17 Dyna models	170-0288	\$2,101.95

NOT LEGAL FOR SALE OR USE IN CALIFORNIA ON ANY POLLUTION CONTROLLED MOTOR VEHICLE. NOT LEGAL FOR SALE OR USE NATIONWIDE ON ANY FEDERAL POLLUTION CONTROLLED MOTOR VEHICLE UNDER THE CLEAN AIR ACT



MB

2007-'17 TWIN CAM 96"/103"/110"

1999-'06 TWIN CAM 88"

SPORTSTER, STREET, NIGHTSTER, STREET ROD & BUJELL

TOOLS & SHOP SUPPLIES

WARRANTY & COMPANY POLICY

APPENDIX



**For 1999–'06 Harley-Davidson® Big Twins Except 2006 Dyna® Models**

**FEATURES**

- No fuel system or ignition systems included — Use what you already have
- Special Head machining — Fits stock length intake manifolds (S&S manifold size 410)
- Stock style breathing system — stock breather spacing and function is compatible with stock and most performance air cleaners
- Same quality components and performance as our complete T-Series engines
  - New S&S cylinders that look more like stock
  - Super Stock heads and crankcases
  - TC3 Oil Pump and Cam Plate
  - S&S Easy Start cams

**OPTIONS**

- T111 — 111 cubic inches, perfect sport-touring engine
- T124 — 124 cubic inches, hot-rod performance, 640 Easy Start Cams
- T124LC — 124 cubic inches with slightly lower compression, 585 Easy Start Cams

**SUGGESTED ACCESSORIES**

- Stealth Air Cleaner Kits.  
184



**NOTE:**

NT-Series engines are not compatible with HD® Softail® models. No fuel system available for 1999–2001 Magnetti Morelli EFI models

**T124 ENGINES WITHOUT FUEL AND IGNITION SYSTEMS**

Chassis Style	Displacement	Bore	Stroke	Cam	Piston Type	Compression Ratio	Warranty Period	Finish	Part #	MSRP
1999–'06 bt <i>(except '06 Dyna®)</i>	124"	4 1/8"	4 5/8"	640	S&S Forged Flat Top	10.8:1	2 Years	Silver	<b>310-0281A</b>	<b>\$8,441.95</b>
								Wrinkle Black	<b>310-0282A</b>	<b>\$8,129.95</b>
								Black Edition	<b>310-0831A</b>	<b>\$8,399.95</b>
	124"	4 1/8"	4 5/8"	585	S&S Forged Dished	10.2-1	2 Years	Silver	<b>310-0327A</b>	<b>\$7,959.95</b>
								Wrinkle Black	<b>310-0326A</b>	<b>\$8,129.95</b>
								Black Edition	<b>310-0832A</b>	<b>\$8,399.95</b>

**T111 ENGINES WITHOUT FUEL AND IGNITION SYSTEMS**

Chassis Style	Displacement	Bore	Stroke	Cam	Piston Type	Compression Ratio	Warranty Period	Finish	Part #	MSRP
1999–'06 bt, <i>(except '06 Dyna®)</i>	111"	4 1/8"	4 1/8"	585	S&S Forged	9.8:1	2 Years	Silver	<b>310-0279A</b>	<b>\$7,999.95</b>
								Wrinkle Black	<b>310-0770A</b>	<b>\$7,999.95</b>
								Black Edition	<b>310-0830A</b>	<b>\$8,129.95</b>

**OIL LINE INSTALLATION KIT**

Fitment	Part #	MSRP
1999–'06 FLT Models	<b>31-0425</b>	<b>\$173.95</b>

**COMPLETE ENGINE REBUILD GASKET KITS**

S&S Engine Family	Year Group	Bore Size	Part #	MSRP
T-Series	1999–'06	4 1/8"	<b>310-0335</b>	<b>\$278.95</b>

**NOTE:**

**ENGINE MANAGEMENT AND FUEL SYSTEMS**

Cylinder heads on T-Series long block engines are 1999–'05 style. Owners of 2006 models will need to purchase a set of 1999–'05 style, offset intake flanges such as S&S #106-3516.

Cylinder heads on these engines are specially machined to compensate for the non-stock cylinder length. As a result, they are compatible with manifolds and throttle bodies with stock length intake runners. In addition, the breather vent bolt locations have been adjusted so they are in the stock location, so stock style air cleaner Backplates will bolt up to these engines.

2002–'06 EFI engines equipped with Delphi® fuel injection will require a performance tuner such as the Harley-Davidson® Race Tuner. The stock single bore throttle body can not supply adequate air for these large displacement engines. An S&S 58mm throttle body is highly recommended for maximum performance.

Carbureted engines will require a performance ignition module that allows adjustments to the advance curves. The stock ignition module is not adjustable, and use of the stock module will likely result in engine damage due to knock from incorrect ignition timing.

Performance carburetors are recommended to achieve maximum performance. S&S Super E carbs are ideal for T111 engines in touring applications, but a Super G will produce more top end horsepower. S&S Super G carbs are recommended for T111 engines in performance applications, and for T124 engines in all applications.

The Oil Line Installation Kits are not required for the updated S&S T-series engines. If the part number of the engine ends in "A," it DOES NOT need an installation kit.

FOR CLOSED COURSE COMPETITION USE ONLY. NOT INTENDED FOR STREET USE. LEGAL IN CALIFORNIA ONLY FOR RACING VEHICLES WHICH MAY NEVER BE USED, OR REGISTERED OR LICENSED FOR USE, UPON A HIGHWAY. NOT LEGAL FOR SALE OR USE NATIONWIDE ON ANY FEDERAL POLLUTION CONTROLLED MOTOR VEHICLE UNDER THE CLEAN AIR ACT.

1999-'06  
TWIN CAM  
88



**FITMENT**

- 1999–'06 Harley-Davidson® Twin Cam 88® A Engines (except 2006 Dyna®)

**FEATURES AND BENEFITS**

- Much stronger than stock crankcases in every aspect, extra large front motor mount for increased strength
- Large cam chest allows cam lift up to .675" without clearancing
- Timken® style sprocket shaft bearings withstand the most demanding applications
- Includes S&S crankcase breather reed valve to eliminate oil carry-over and oil scavenging problems
- Clearanced for strokes up to 5"
- All passages between the crankcase and the cam support plate are o-ring sealed
- Includes pinion and Timken® bearing

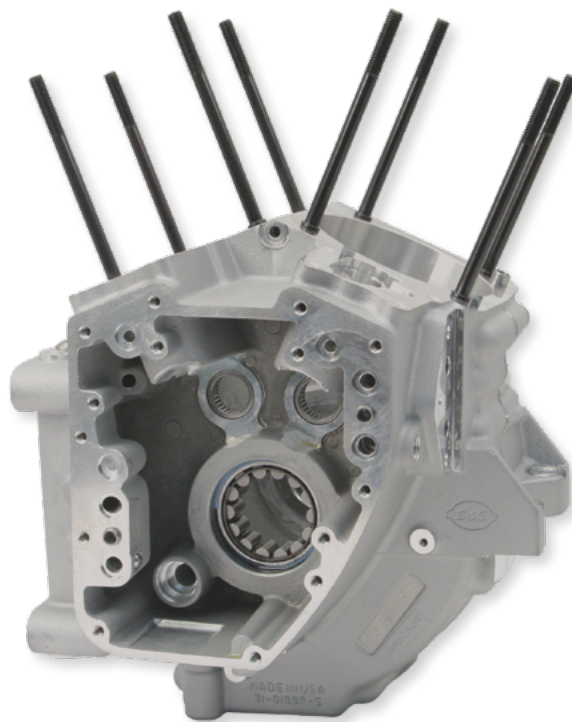
**OPTIONS**

- Available in stock bore, 4" bore, and 4½" bore versions

**KIT CONTENTS**

- S&S crankcase
- S&S breather reed valve
- Bearings and hardware

**S&S exclusive**  
FLUID LINE CONNECTOR  
US PATENT PENDING



CRANKCASE FOR 1999–'06 BIG TWIN ENGINES (EXCEPT 2006 DYNA® MODELS)						
Crankcase Bore Size	Silver	MSRP	Wrinkle Black	MSRP	Polished	MSRP
Stock Bore (Stock Stud Pattern)	—	—	31-0172A	\$2,427.95	—	
4½" Bore (Stock Stud Pattern)	106-4057A	\$2,152.95	31-0181A	\$2,182.95	—	
4½" Bore (S&S Stud Pattern)	106-4043A	\$2,152.95	31-0178A	\$2,182.95	31-0179A	\$4,141.95
4.425" Bore (S&S® T143)	—		310-0721A	\$2,101.95	—	

NOT LEGAL FOR SALE OR USE IN CALIFORNIA ON ANY POLLUTION CONTROLLED MOTOR VEHICLE. NOT LEGAL FOR SALE OR USE NATIONWIDE ON ANY FEDERAL POLLUTION CONTROLLED MOTOR VEHICLE UNDER THE CLEAN AIR ACT

**REPLACEMENT PARTS: 240**

OIL LINE INSTALLATION KIT		
Fitment	Part #	MSRP
1999–'06 FLT models and pre-2019 S&S engines	31-0425	\$173.95



**NOTE:**

Oil line installation kit part #31-0425 is required for installation in 2000–'06 FLT models. Stock transmission top cover may be used. The oil line installation kits are not required for the updated S&S T-series engines. If the part number of the engine ends in "A," it does not need an installation kit.

M8  
2007-'17 TWIN CAM 96"/103"/110"  
1999-'06 TWIN CAM 88"  
SPORTSTER, STREET, NIGHTSTER, STREET ROD & BUJELL  
TOOLS & SHOP SUPPLIES  
WARRANTY & COMPANY POLICY  
APPENDIX



**FITMENT**

- Twin Cam 88®/96™ (except "B" engines)
- S&S T-Series engines

**FEATURES AND BENEFITS**

- Improved oil scavenging and reduced oil carryover



31-2070



31-2070

**CRANKCASE BREATHER REED VALVES**

Oil Pump Fitment	Year Application	Part #	MSRP
For Engines with Stock or S&S TC3 Oil Pump	1999-'02	31-2070	\$163.95
	2003-'10	310-0742	\$152.95
	S&S special application crankcases*	310-0742	\$152.95
For Engines with S&S gear oil pump	2003-'10 stock crankcases & 1999-'06 S&S crankcases	310-0742	\$152.95

\*Spring adaptor required to accommodate the extra .375" case width of S&S Special Application big bore crankcases.



**SPRING ADAPTER AND SPACER**

Fitment	Part #	MSRP
Spacer (for S&S SA crankcases)*	31-2103	\$31.95

\*Required to accommodate the extra .375" case width of S&S Special Application big bore crankcases.

**REPLACEMENT PARTS: 266**

**NOTE:**

The crankcases breather valve for Twin Cam 88® engines was designed and developed for use with stock Harley-Davidson® or S&S gear oil pumps and tappets, and may not be compatible with some aftermarket components.

Not available for Twin Cam 88B™ or Twin Cam 96B™ engines with internal balancers.

Does not fit with Screamin' Eagle® oil pumps.

1999-'06  
TWIN CAM  
88B





**FITMENT**

- 1999–'06 Harley-Davidson® big twins—Balanced and unbalanced models
- S&S T-Series Engine and Hot Set Up Kit® replacement flywheels



320-0460

**FEATURES AND BENEFITS**

- Heat-treated 4140 material is harder and 114% stronger than stock
- Harder material, no thrust washers required—Where stock flywheels have thrust washers, S&S flywheels have steel gripping the crankpin
- Larger 1.671" diameter crankpin—increased contact area and tighter press fit for a stronger joint. No welding required!
- Integral mainshafts —eliminates two potential points of weakness
- Consistent balance and precision machining—Truer flywheels and less vibration
- Reduced mainshaft deflection at high rpm—less vibration, reduced piston and rod side thrusting, prevents oil pump damage, fully compatible with gear drive cams
- Capable of higher rpm—More available power!

**TRYING TO IDENTIFY AN S&S® FLYWHEEL?**

360

FLYWHEEL ASSEMBLIES										
Engine Displacement	Stroke	Sprocket Bearing Race	1999–2006 HD® big twin models (EXCEPT 2006 DYNA® MODELS)				2006 HD® Dyna® models			
			Total Piston Weight	TC 88®	MSRP	TC 88B™	MSRP	Total Piston Weight	Part #	MSRP
88, 95, 97, 100 w/Stock or S&S® Pistons	4"	Yes*	1230	320-0402 <small>USA</small>	\$1,744.95	320-0396 <small>USA</small>	\$1,764.95	1230	—	
		No	1230	320-0403 <small>USA</small>	\$1,713.95	320-0397 <small>USA</small>	\$1,744.95	1230	—	
96, 103, CVO 103, 106 big bore, 110, 117 w/Stock or S&S® Pistons	4 3/8"	Yes*	1035	320-0360	\$1,744.95	320-0354	\$1,764.95	1035	320-0350	\$1,764.95
		No	1035	320-0361	\$1,713.95	320-0355	\$1,744.95	1035	320-0351	\$1,744.95
S&S® 106 Stroker**	4 1/2"	No	1108	320-0460	\$1,713.95	320-0454	\$1,744.95	1108	320-0450	\$1,744.95
S&S 111	4 1/8"	No	1035	320-0417	\$1,713.95	—		1035	—	
SE 120R (uses 7.575" length rods)†	4 5/8"	No	1035	—		—		1035	320-0523	\$1,744.95
S&S® 124	4 5/8"	No	1035	320-0475	\$1,713.95	320-0469	\$1,913.95	1035	320-0464	\$1,744.95
S&S® T143	4 5/8"	No	1290	320-0552	\$1,907.95	—		—	—	
Special Order	Specify	Specify	Specify	329-0002	\$10,099.95	329-0002	\$10,099.95	Specify	329-0002	\$10,099.95

Note: All S&S flywheel assemblies for 1999–'06 engines have connecting rods with 7.667" length and full width straight wristpin ends.  
 \*Flywheel assemblies supplied with sprocket shaft bearing race installed are compatible with stock roller style sprocket shaft bearings. Assemblies with no race require a Timken® sprocket shaft bearing.  
 \*\*4 1/2" stroke flywheels for 2006 Dyna® include 7.667" long connecting rods.

**NOTE:**

† These flywheels are replacement flywheels for the SE 120R. When installing these flywheels in a Harley-Davidson® case, they need to run the HD piston oiling jets—*not the S&S® piston oiling jets.*

Engines with strokes over 4" may require S&S® piston oiling jets (p/n 31-2026) and piston to jet clearance notches in the piston skirt to avoid contact.

**Main Bearing Note:** Most S&S flywheel assemblies for 1999–'16 big twin engines are designed for use with Timken® sprocket shaft bearings. They will fit directly in stock 1999–'02 Harley-Davidson® crankcases and in all S&S crankcases for 1999–'15 big twin engines, with no modifications. However, stock 2003 and later engines use a roller type bearing for the sprocket shaft. S&S does offer flywheel assemblies that are compatible with late roller style stock sprocket shaft bearings, but they are not recommended for very large, high performance engines.

S&S strongly recommends retrofitting 2003–'16 model crankcases to accept a Timken sprocket shaft bearing. A Timken conversion sleeve such as Screamin' Eagle® #34822-08 or Jim's® #956 may be used. A charging system spacer for 1999–'02 model year is also required.

If you choose not to convert your crankcases to a Timken sprocket shaft bearing, S&S flywheels may be used in 2003 and later engines by either purchasing the stock compatible flywheels or by installing Harley-Davidson® bearing kit #24004-03B when using S&S flywheels designed for Timken bearings. This bearing kit adapts the S&S sprocket shaft so it is compatible with stock roller type bearings. Verify that the bearing kit contains the 24604-00D or 24607-07 sprocket shaft bearing. Do not use a 24604-00, 24604-00A, 24604-00B or 24604-00C bearing. Please be advised that if this type of bearing is used, sprocket shaft bearing failure WILL NOT be covered under warranty.

**REPLACEMENT PARTS: 242**

MB

2007-'17 TWIN CAM 96"/103"/110"

1999-'06 TWIN CAM 88"

SPORTSTER, STREET, NIGHTSTER, STREET ROD & BUJELL

TOOLS & SHOP SUPPLIES

WARRANTY & COMPANY POLICY

APPENDIX



S&S cam support plates are just what the doctor ordered when repairing a damaged engine or installing new camshafts. CNC machined from aluminum for excellent strength and dimensional accuracy. S&S cam support plates are available to fit 1999–2006 and 2007–later Harley-Davidson® big twin engines. We don't want to encourage bad habits so plates for 1999–2006 are not compatible with stock spring-loaded chain tensioners, and require late style hydraulic tensioners and oil pump. We suggest the S&S TC3 oil pumps be installed with S&S TC3 Cam Plate.

**FITMENT**

- 1999–'06 big twins *except 2006 Dyna® models\**

**FEATURES AND BENEFITS**

- Precision CNC machined aluminum
- Adjustable oil pressure regulator — adjust without removing plate from engine
- Passage plugs are removable for service
- Rebuildable — bronze pinion shaft bushing in all models and bronze cam bushings in 2007–later style
- Made in the USA!



\*Not compatible with stock spring-loaded chain tensioners or stock 1999–2006 oil pumps. A 2007–later style oil pump is required for all applications. 2007–later style hydraulic tensioners are required for chain drive cams.

**TC3 CAM PLATE**

Fitment	Part #	MSRP
1999–2006 bt ( <i>except 2006 Dyna® models</i> )	<b>310-0623</b>	<b>\$438.95</b>

1999-'06 TWIN CAM BT

**TC3 Oil Pump**

If motor oil is the lifeblood of an engine, then the oil pump is its heart. If your engine needs a transplant, the S&S TC3 Oil Pumps are a great solution for worn out or destroyed stock units. Common causes of stock pump failure are debris and excessive pinion shaft run out. The new S&S oil pumps are much less likely to be damaged by either. Oh, and by the way, the S&S TC3 Oil Pumps pump and scavenge way more oil than stock. While you've got that motor apart, it would be a good time to install an S&S TC3 Cam Plate.

**FITMENT**

- 1999–'06 Harley-Davidson® big twin engines\*
- 2007–'16 Harley-Davidson big twin engines

**FEATURES AND BENEFITS**

- Consistent pressure and reliable scavenging
- Separate scavenge sections for flywheel cavity and cam chest — *no interference*
- Screens and magnetic traps help protect the scavenge rotors from debris
- Special design allows S&S pumps to tolerate more pinion shaft run out without damage
- Made in the USA!



**NOTE:**

S&S TC3 Cam Plate (310-0623) **MUST** be used in 1999–2006 applications.

\*S&S oil pumps for 1999–'06 are not compatible with S&S cam support plates for 1999–'06 engines. All S&S cam support plates are machined for 2007–later style oil pumps.

**TC3 OIL PUMP**

Fitment	Part #	MSRP
1999–2006 bt ( <i>except 2006 Dyna® models</i> )	<b>310-0641</b>	<b>\$499.95</b>

**TC3 Oil pUmp & cam plate kits**

**TC3 OIL PUMP AND CAM PLATE KITS**

Fitment	Part #	MSRP
1999–2006 bt ( <i>except 2006 Dyna® models</i> )	<b>310-0731</b>	<b>\$836.95</b>



**REPLACEMENT PARTS: 244 & 245**

**FITMENT**

- 1999–'17 Twin Cam 88°, 96™ and 103™ (except '17 touring)

DIE CAST GEARCOVER			
Finish		Part #	MSRP
Gloss Black	143"	<b>310-1084</b>	<b>\$295.95</b>
	124"	<b>310-1085</b>	<b>\$295.95</b>
	111"	<b>310-1086</b>	<b>\$305.95</b>
Chrome	143"	<b>310-1087</b>	<b>\$295.95</b>
	124"	<b>310-1088</b>	<b>\$295.95</b>
	111"	<b>310-1089</b>	<b>\$295.95</b>

**⚠ WARNING: Cancer and Reproductive Harm – www.P65Warnings.ca.gov**



**Billet Oil Filter Bracket**

**FITMENT**

- 1999–'06 big twin (except 2006 Dyna® models)

BILLET OIL FILTER BRACKET		
Finish	Part #	MSRP
Polished 26261-99	<b>31-6510</b>	<b>\$224.95</b>
Chrome	<b>106-3884</b>	<b>\$236.95</b>

**⚠ WARNING: Cancer and Reproductive Harm – www.P65Warnings.ca.gov**



**Cylinders With Pistons Kit**

- Cylinder w/piston kits include fitted pistons and cylinders, head gaskets, base, and exhaust gaskets
- Cylinder kits with pistons are honed to fit the pistons included.

**S&S® 4 1/8" BORE CYLINDERS WITH PISTONS SPECIFICATIONS**

Displacement	Stroke	Cylinder Length	Forged Piston type	Compression Ratio			
				85cc Stock heads	89cc S&S heads	91cc S&S heads	SE 95cc heads
124"	4.625	5.013	Flat Top	11.4:1	11.0:1	10.8:1	10.5:1
124" Dish	4.625	5.013	10.9 cc dish	10.5:1	10.2-1	10.0:1	9.7:1
117"	4.375	4.888	Flat Top	10.9:1	10.5:1	10.3:1	10.0:1
117" Dish	4.375	4.888	10.9 cc dish	10.0:1	9.7:1	9.6:1	9.3:1
111"	4.125	4.763	Flat Top	10.3:1	9.9:1	9.8:1	9.4:1



**4 1/8" BORE CYLINDERS WITH PISTONS FOR 124", 117", & 111" KIT**

Displacement	Bolt Pattern	Silver	MSRP	Wrinkle Black	MSRP
124" Hot Set Up - Stock Heads	Stock	<b>910-0215</b>	<b>\$1,499.95</b>	<b>910-0223</b>	<b>\$1,499.95</b>
124" Hot Set Up - S&S 89cc/91cc Heads	Stock	<b>910-0214</b>	<b>\$1,484.95</b>	<b>910-0222</b>	<b>\$1,534.95</b>
117"	S&S	<b>910-0217</b>	<b>\$1,499.95</b>	<b>910-0227</b>	<b>\$1,499.95</b>
111"	Stock	<b>910-0017</b>	<b>\$1,652.95</b>	<b>910-0025</b>	<b>\$1,534.95</b>
111"	S&S	<b>910-0218</b>	<b>\$1,499.95</b>	<b>910-0277</b>	<b>\$1,611.95</b>

NOT LEGAL FOR SALE OR USE IN CALIFORNIA ON ANY POLLUTION CONTROLLED MOTOR VEHICLE. NOT LEGAL FOR SALE OR USE NATIONWIDE ON ANY FEDERAL POLLUTION CONTROLLED MOTOR VEHICLE UNDER THE CLEAN AIR ACT

MB

2007-'17  
TWIN CAM  
96"/103"/110"

1999-'06  
TWIN CAM  
88"

SPORTSTER, STREET,  
NIGHTSTER, STREET ROD  
& BUILL

TOOLS &  
SHOP  
SUPPLIES

WARRANTY &  
COMPANY  
POLICY

APPENDIX



**S&S® 4" BORE BOLT-IN SIDEWINDER® KITS SPECIFICATION CHART**

Displacement	Bore	Stroke	Cylinder Length	Piston Type	Dome Volume	Compression Ratio		
						83cc CNC Heads	85cc Stock Heads	89cc S&S Heads
100"	4.00"	4.00"	4.937"	Forged	8.75 pop up	10.8:1	10.5:1	10.1:1

**4" BORE BOLT-IN SIDEWINDER® BIG BORE KITS\***

Displacement	Silver	MSRP	Wrinkle Black	MSRP
100	<b>910-0642</b>	<b>\$1,594.95</b>	<b>910-0646</b>	<b>\$1,550.95</b>

NOT LEGAL FOR SALE OR USE IN CALIFORNIA ON ANY POLLUTION CONTROLLED MOTOR VEHICLE. NOT LEGAL FOR SALE OR USE NATIONWIDE ON ANY FEDERAL POLLUTION CONTROLLED MOTOR VEHICLE UNDER THE CLEAN AIR ACT

**NOTE:**

When using on a carbureted model, an adjustable performance ignition **must** be used. **Not** for use with S&S 79cc Cylinder Heads. **Not** for use on trike models.

**REPLACEMENT PARTS FOR PISTONS: 272**

**S&S® 98" & 97" BIG BORE KIT SPECIFICATION CHART**

Displacement	Bore	Stroke	Cylinder Length	Forged Piston Type	Bolt Pattern	Compression Ratio (with provided .045" head gasket)					
						83cc Heads	79cc S&S Heads	85cc Heads	87cc Heads	89cc S&S Heads	90cc Heads
98"	3.937"	4.00"	4.937"	10cc Dome	Stock	10.5:1	n/a	10.3:1	10.1:1	n/a	9.8:1
97"*	3.927"	4.00"	4.937"	3cc Dome	Stock	n/a	9.7:1	10.3:1	n/a	9.4:1	n/a

\*For an additional .2 bump in compression, order .030" thick head gaskets #900-0605 (2 pack). Remember to check your clearances.

**BIG BORE KIT**

Displacement	Bolt Pattern	Silver	MSRP	Wrinkle Black	MSRP
98" Big Bore Kits	Stock	<b>910-0482</b>	<b>\$1,318.95</b>	<b>910-0481</b>	<b>\$1,318.95</b>
97" Big Bore Kits	Stock	<b>910-0201</b>	<b>\$1,183.95</b>	<b>910-0205</b>	<b>\$1,183.95</b>

NOT LEGAL FOR SALE OR USE IN CALIFORNIA ON ANY POLLUTION CONTROLLED MOTOR VEHICLE. NOT LEGAL FOR SALE OR USE NATIONWIDE ON ANY FEDERAL POLLUTION CONTROLLED MOTOR VEHICLE UNDER THE CLEAN AIR ACT

**S&S® 3 7/8" BORE CYLINDERS WITH PISTONS SPECIFICATION CHART**

Displacement	Stroke	Cylinder Length	Forged Piston Type	Bolt Pattern	Compression Ratio		
					85cc Stock Heads	79cc S&S Heads	89cc S&S Heads
106" Stroker	4 1/2"	4.937"	Forged	Stock	10.1:1	10.8:1	9.8:1
95"	4"	4.937"	Forged	Stock	9.7:1	10.3:1	9.9:1

**3 7/8" BORE CYLINDERS WITH PISTONS FOR 106" & 95" KIT**

Displacement	Bolt Pattern	Silver	MSRP	Wrinkle Black	MSRP
106" Stroker	Stock	<b>910-0199</b>	<b>\$1,274.95</b>	<b>910-0203</b>	<b>\$1,244.95</b>
95"	Stock	<b>910-0200</b>	<b>\$1,256.95</b>	<b>910-0204</b>	<b>\$1,244.95</b>

\*Special Order: Download the Special Order Form at [sscycle.com/soforms](http://sscycle.com/soforms) **91-7506\***

**NOTE:**

S&S® highly recommends installing a performance cam for easier starting and better engine performance. S&S high flow cylinder heads will provide further horsepower gains. These kits require tuning.

**REPLACEMENT PARTS FOR PISTONS: 272**

1999-06 TWIN CAM BB

- Individual cylinders and cylinder sets without pistons are bored slightly under nominal size and are not honed.

**4.425" BORE CYLINDERS WITHOUT PISTONS FOR T143**

Displacement		Silver	MSRP	Black	MSRP
143"	Set	<b>910-0568</b>	<b>\$1,407.95</b>	<b>910-0565</b>	<b>\$1,407.95</b>

NOT LEGAL FOR SALE OR USE IN CALIFORNIA ON ANY POLLUTION CONTROLLED MOTOR VEHICLE. NOT LEGAL FOR SALE OR USE NATIONWIDE ON ANY FEDERAL POLLUTION CONTROLLED MOTOR VEHICLE UNDER THE CLEAN AIR ACT



**4 7/8" BORE CYLINDERS**

Displacement		Silver	MSRP	Wrinkle Black	MSRP	Polished	MSRP
124" Hot Set Up	Set	<b>910-0234</b>	<b>\$897.95</b>	<b>910-0255*</b>	<b>\$897.95</b>	–	
124"	Set	–	–	<b>910-0264</b>	<b>\$897.95</b>	–	–
117"	Set	<b>910-0240</b>	<b>\$888.95</b>	–		–	
111"	Set	<b>910-0243</b>	<b>\$897.95</b>	<b>910-0281</b>	<b>\$897.95</b>	–	

NOT LEGAL FOR SALE OR USE IN CALIFORNIA ON ANY POLLUTION CONTROLLED MOTOR VEHICLE. NOT LEGAL FOR SALE OR USE NATIONWIDE ON ANY FEDERAL POLLUTION CONTROLLED MOTOR VEHICLE UNDER THE CLEAN AIR ACT



**4" BORE CYLINDERS**

Displacement		Silver	MSRP	Wrinkle Black	MSRP
100"	Front or Rear	<b>910-0792</b>	<b>\$489.95</b>	<b>910-0775</b>	<b>\$530.95</b>

**3.937" BORE CYLINDERS**

Displacement		Silver	MSRP	Wrinkle Black	MSRP
98"	Front or Rear	<b>910-0791</b>	<b>\$499.95</b>	<b>910-0774</b>	<b>\$499.95</b>

**3.927" BORE CYLINDERS**

Displacement		Silver	MSRP	Wrinkle Black	MSRP
97"	Front or Rear	<b>910-0779</b>	<b>\$499.95</b>	<b>910-0773</b>	<b>\$499.95</b>



**ALL OTHER BORES AND FINISHES ARE AVAILABLE THROUGH SPECIAL ORDER.... 91-7506\*....CALL FOR PRICING**

*\*Special Order: Download the Special Order Form at [sscycle.com/soforms](http://sscycle.com/soforms)*

**CYLINDER REPLACEMENT PARTS: 248**

MB

2007-17  
TWIN CAM  
96"/103"/110"

1999-06  
TWIN CAM  
88"

SPORTSTER, STREET,  
NIGHTSTER, STREET ROD  
& BUJEL

TOOLS &  
SHOP  
SUPPLIES

WARRANTY &  
COMPANY  
POLICY

APPENDIX



- Piston kits include set of pistons, rings, wristpins, and clips

4.425" BORE FORGED PISTON KITS FOR T143						
Displacement	Deck Height	Stroke	Standard	+.020"		
T143	1.167"	4 5/8"	920-0106	\$775.95	920-0111	\$775.95

NOT LEGAL FOR SALE OR USE IN CALIFORNIA ON ANY POLLUTION CONTROLLED MOTOR VEHICLE. NOT LEGAL FOR SALE OR USE NATIONWIDE ON ANY FEDERAL POLLUTION CONTROLLED MOTOR VEHICLE UNDER THE CLEAN AIR ACT



920-0046  
Dish topped

106-3491A  
Flat topped

4 1/8" BORE FORGED PISTON KITS FOR HOT SET UP KITS®										
Displacement	Deck Height	Stroke	Standard	MSRP	+.010"	MSRP	+.020"	MSRP	+.030"	MSRP
124" & 117" Stock Heads 10cc Dished	1.050"	Up To 4 5/8"	920-0046	\$601.95	920-0047	\$611.95	920-0050	\$611.95	920-0053	\$607.95
124", 117" & 111" Stock or S&S Heads Flat Top	1.050"	Up To 4 5/8"	106-3491A	\$607.95	106-3872A	\$607.95	106-3964A	\$601.95	920-0094	\$607.95

4" BORE FORGED PISTON KIT						
Displacement	Deck Height	Dome Height	Stroke	Standard	MSRP	
100	1.270	8.75cc	4"	920-0129	\$499.95	



920-0129

3.937" BORE FORGED PISTON KIT						
Displacement	Deck Height	Dome Height	Stroke	Standard	MSRP	
98"	1.270"	10cc	4"	920-0101	\$524.95	

3.927" BORE FORGED PISTON KITS							
Displacement	Deck Height	Dome Height	Stroke	Standard	MSRP	+.010"	MSRP
97"	1.270"	3cc	4"	106-3688	\$499.95	106-4414	\$504.95

92-1210  
106" Stroker



3 7/8" BORE FORGED PISTON KITS										
Displacement	Deck Height	Stroke	Standard	MSRP	+.005"	MSRP	+.010"	MSRP	+.020"	MSRP
106" Stroker	1.020"	4 1/2"	92-1210	\$530.95	92-1214	\$530.95	92-1211	\$530.95	92-1212	\$530.95
95"	1.270"	4"	92-1200	\$530.95	92-1204	\$530.95	92-1201	\$530.95	-	-

**NOTE:**

S&S' 3 7/8" pistons for 95" kits and 4 1/8" pistons are machined to such close tolerances that it is not necessary to measure the piston. Additionally, the low friction coating on the piston skirt makes taking measurements very difficult. Therefore, hone cylinders to nominal diameter +/- 0.0005" for correct clearance.

S&S' 3.937" & 3.927" pistons are machined to such close tolerances that it is not necessary to measure the piston. Additionally, the low friction coating on the piston skirt of early production pistons with out micrometer window makes taking measurements very difficult. Therefore, hone cylinders to nominal diameter +/- 0.0001" for correct clearance. Current production pistons have micrometer windows in the coating on the piston skirts that allow accurate measurements to be taken. These pistons may be installed by honing cylinder to nominal diameter +/- 0.0001" or by measuring piston and honing cylinder to achieve .002"- .0025" close clearance for street applications or .0032"- .0045" loose clearance for immediate competition use.

1999-06  
TWIN CAM  
88

Bump 1999–'06 engines from 88ci to 100ci and 2007–'17 engines from 96ci or 103ci to 110ci with the new S&S 4" big bore kit. The kit also includes matched cams, cam plate, oil pump and everything else a high performance big inch engine needs to reliably make serious power.

**FITMENT**

- 1999–06 big twin except 2006 Dyna® models

**FEATURES AND BENEFITS**

- Largest big bore kit available without doing crankcase mods
- Upgrade Twin Cam 88 to 100 cu inches
- Cylinders fit to pistons—No machining required
- All parts required to upgrade to gear drive cam or hydraulic tensioners
- Engineered package to deliver the best bolt-in performance available



POWER PACKAGE KIT					
Fitment	Finish	Cam	Drive	Part #	MSRP
1999–'06 except '06 Dyna®	Silver	585CE	Chain	<b>330-0662</b>	<b>\$3,345.95</b>
1999–'06 except '06 Dyna®	Silver	585GE	Gear	<b>330-0663</b>	<b>\$3,467.95</b>
1999–'06 except '06 Dyna®	Black	585CE	Chain	<b>330-0664</b>	<b>\$3,345.95</b>
1999–'06 except '06 Dyna®	Black	585GE	Gear	<b>330-0665</b>	<b>\$3,467.95</b>

NOT LEGAL FOR SALE OR USE IN CALIFORNIA ON ANY POLLUTION CONTROLLED MOTOR VEHICLE. NOT LEGAL FOR SALE OR USE NATIONWIDE ON ANY FEDERAL POLLUTION CONTROLLED MOTOR VEHICLE UNDER THE CLEAN AIR ACT

**NOTE:**

- 1999–'04 engines will require the additional purchase of valve springs pn 900-0593.
- Pinion shaft runout must be less than .003" to use gear drive cams.
- Kit not available to fit '06 Dyna® models but parts may be purchased separately.
- Not for use with S&S 79cc Cylinder Heads.
- Not for use on trike models.

MB

2007-'17  
TWIN CAM  
96"/103"/110"

1999-'06  
TWIN CAM  
88"

SPORTSTER, STREET,  
NIGHTSTER, STREET ROD  
& BUJEL

TOOLS &  
SHOP  
SUPPLIES

WARRANTY &  
COMPANY  
POLICY

APPENDIX



**OES:** Original Equipment Specification (OES). A bolt-in replacement cam with stock cam timing is designed for riders with stock engines. Does not require tuning. Bolt-in stock. Equivalent to HD® A-Grind

**505C:** Bolt-in cam, low-end torque and mid-range horsepower. Good for heavy bikes. Stock comp. ratio. Compatible with stock valve springs. Range: Idle to 5,000 rpm

**509:** Designed as a bolt-in, high torque cam for 1999–'06 models. 180 psi cranking compression, no need for compression releases. For 88 CID engines with stock compression ratio. Idle–4500 rpm. Bolt-in torque.

**510:** Designed as a bolt-in cam for 88, 95, and 96 CID engines with compression ratios below 9.7:1, it is primarily intended for use with stock, un-ported heads. 3000–5500 rpm. Bolt-in overall.

**551:** Designed for engines with 96 to 106 CID and 9:1 to 9:9 compression this cam set designed for stock or mildly modified touring bikes. 551 cams are not recommended for compression ratios of 10:1 or greater. Greatly improves low-end and midrange torque, strongest from idle–4000rpm.

**570:** Designed for 88 to 103 CID engines with compression ratios between 9:1 and 10:1 this cam will provide a nice power increase across the entire power band. 3200–5700 rpm. Excellent bolt-in for overall power on 103".

**583:** Optimized for use in the Softail®/Dyna® lines, this cam makes horsepower and torque that you can feel all the way through the rpm range, making the most power right where you need it:1500–5000rpm. 583 cams are not recommended for engines having compression ratios greater than 10.1:1

**585:** Designed for 88 to 95 CID engines with compression ratios from 9.7:1 to 10.5:1 and 100 to 124 CID engines from 9:1 to 10:1 compression. Provides massive horsepower and torque increases starting at 3000rpm and holds steady all the way to redline. 3500-6000 rpm for 88"–103" engines and 2500–5500 for larger engines.

**625:** Cam set designed for 95" or larger engines with compression ratios between 10.0 and 10.75:1. 3000–6000 rpm.

**MR103:** Designed as bolt-in cams for 103 CID engines with stock 9.7:1 compression ratio up to 10.5:1. Works well with stock, un-ported heads, but is great for S&S CNC ported heads. More power across the rpm range best results form 2500–5500 rpm. Bolt-in.

**HP103:** Designed as bolt in cams for engines with 103 and stock 9.7:1 compression up to 10.5:1. Works well with stock, un-ported heads, but is great for S&S CNC ported heads. Best power in the higher rpm range, 3000–6000 rpm. Bolt-in.

**635 H.O.:** High lift cam for modified engines with 106" or greater displacement and compression ratios between 10.0:1 and 11.0:1. Works well with stock, un-ported heads, but S&S CNC ported heads are recommended. Best power from 3000–6000 rpm. This is not a bolt-in cam set. High-lift springs and clearance checks are required.

**640:** Used in S&S T124 engines, this cam makes horsepower! Intended for engines of 95 CID or more w/compression ratios between 10.5:1 and 11.5:1. 3000-6000 rpm.

**675:** A high lift monster, this cam set is designed for 120" or larger engines with at least 11:1 compression ratio. 4500–6500 rpm.

#### NOTE:

Stock valve springs in 1999–'04 big twin models can handle cams with valve lifts as high as .515". Stock valve springs in 2005–up engines can accommodate valve lifts up to .590".





**SPECIFICATIONS OF S&S® CHAIN & GEAR DRIVE CAMSHAFTS FOR 1999-UP BIG TWINS**

Cam Name	Bolt-In	Valve Timing (open/close)		Valve Duration		Valve Lift	Centerline		Lift @ TDC		Application CROSS REFERENCE		
		Intake	Exhaust	Intake	Exhaust		Intake	Exhaust	Intake	Exhaust	HD® Screamin' Eagle®	Andrews®	Most Fitting
		Open BTDC/ Close ABDC	Open BBDC/ Close ATDC	Intake	Exhaust		Intake	Exhaust	Intake	Exhaust			
OES		2°/34°	36°/4°	216°	220°	.475"	106°	106°	.060"	.060"	A-Grind		
505C		20°/36°	47°/15°	236°	242°	.505"	98°	106°	.185"	.157"			
509		18°/18°	46°/11°	216°	237°	.509"	90°	107.5°	.174"	.140"			
510		20°/38°	52°/20°	238°	252°	.510"	99°	106°	.187"	.178"			
551**		17°/19°	41°/17°	216°	238°	.550"	91°	102°	.178"	.170"	SE-203/255	21H/26H	Touring
570		20°/40°	55°/20°	240°	255°	.570"	100°	107.5°	.187"	.179"	–	54H	All Big Twin
583		5°/18°	58°/24°	203°	262°	.583"	96.5°	107°	.113"	.206"	SE-203/255	21H/26H	Softail®/Dyna®
585		20°/45°	60°/20°	245°	260°	.585"	102.5°	110°	.186"	.179"	SE-211/251/257	31H/32H/50H/55H/67H	All Big Twin
625		20°/55°	60°/20°	255°	260°	.625"	107.5°	110°	.189"	.184"	SE-258/260	60H	All Big Twin
635		19.5°/43.5°	58.5°/37.5°	243°	276°	.635"	102°	100.5°	.186"	.284"			
MR103		13°/33°	50°/22°	226°	252°	.585"	104°	104°	.172"	.177"			
HP103		20°/49°	45°/26°	249°	251°	.575"	102.7°	101.5°	.199"	.206"			
640		25°/60°	65°/25°	265°	270°	.640"	107.5°	110°	.228"	.214"	SE-264	59H	All Big Twin
675		25°/64°	70°/25°	269°	275°	.675"	109.5°	112.5°	.235"	.205"	–	64H	Race

\*Note: Although several cam grinds were used in stock engines from 1999-'06, the timing specs of the 475G cams is most similar to cams used in 1999-'03 EFI engines.

\*\*551 cams are not recommended with compression ratio of 10:1 or higher.

All reference to HD® and Andrews® part numbers is for identification purposes only. We in no way are implying that any of S&S Cycle's products are original equipment parts or that they are equivalent to the corresponding HD® part number shown. Use of brand names such as Harley-Davidson® Sportster® are also for reference only.

**S&S EASY START CAMS**

Start any engine regardless of displacement or compression ratio, with a stock starter. Easy Start Cams from S&S® Cycle make hard starting obsolete for 1999-'12 big twins. Available in economical chain drive and rock-solid gear drive versions. Don't get caught "dead" without them!

**FEATURES AND BENEFITS**

- Start any engine with a stock starter
- Save your starter and battery!
- Reliable – tested for 100,000 accumulative starts and over 150,000 road miles without breakage or compression release failure!
- Automatic – no buttons to push

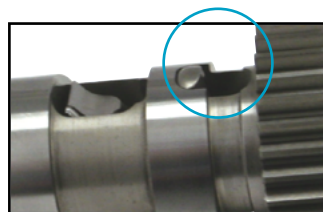
**OPTIONS**

- Chain drive or gear drive (See the following pages for part numbers)

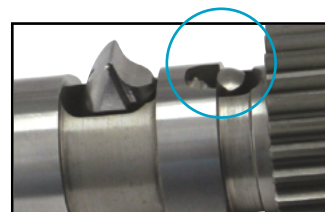
**HERE'S HOW IT WORKS**

Each of the two exhaust cam lobes are equipped with a spring loaded compression release lobe on the "heel" of the cam at the point where the valve would normally be fully closed. The lobe holds the exhaust valve open slightly at cranking speed. This releases some of the compression, making the engine much easier to crank.

Once the engine starts, and rpm increases, the compression release lobe is centrifugally retracted and the engine runs normally, with full compression, and without any loss in performance. This allows a stock starter and battery to start nearly any engine.



The compression release lobe reduces the compression until the engine starts.



Increased rpm causes the compression release lobe to be centrifugally retracted so the engine runs normally.

MB

2007-'17 TWIN CAM 96°/103°/110°

1999-'06 TWIN CAM 88°

SPORTSTER, STREET, NIGHTSTER, STREET ROD & BUILL

TOOLS & SHOP SUPPLIES

WARRANTY & COMPANY POLICY

APPENDIX



**FEATURES AND BENEFITS**

- Improves valve timing accuracy by eliminating timing chain lash
- Easy Start Cams allow stock starter to start any engine
- No tensioner shoes to wear out or fail



**OPTIONS**

**WHICH S&S GEAR DRIVE CAM KIT TO ORDER?**

- If updating a stock chain drive system, it's easiest to order a complete kit. Includes:
  - Camshafts with inner gears
  - Outer cam drive gear kit
  - Camshaft installation kit
- If replacing cams in an engine already equipped with S&S gear drive cams, order cams with inner gears and reuse the existing outer gears. Camshaft installation kit for the appropriate model year is recommended.
- If installing a set of gear drive cams from another manufacturer, order S&S cam gear kits for the appropriate model year. Each kit provides the inner cam gear as well as an outer cam gear. Camshaft installation kit for the appropriate model year is recommended.



**GEAR DRIVE CAMS FOR 1999-'06 MODELS (EXCEPT 2006 DYNA®)\***

Cam Name	Easy Start		Standard	
	Complete Kit		Complete Kit	
	Stock Oil Pump	MSRP	Stock Oil Pump	MSRP
OES	—		106-4033†	\$948.95
509	—		330-0017	\$948.95
510	—		33-5177	\$959.95
551	106-5442	\$1,070.95	330-0100	\$948.95
570	106-5243	\$1,070.95	33-5178	\$948.95
583††	106-5859	\$1,070.95	330-0107	\$948.95
585	106-5247	\$1,070.95	33-5179	\$948.95
625	—		33-5180	\$948.95
MR103	330-0466	\$1,070.95	330-0462	\$948.95
635 H.O.	330-0438	\$1,070.95	330-0432	\$948.95
640	106-4840	\$1,070.95	33-5181	\$948.95
675	106-5255	\$1,070.95	—	

\*2006 Dyna® install kit is in Section 2.

NOT LEGAL FOR SALE OR USE IN CALIFORNIA ON ANY POLLUTION CONTROLLED MOTOR VEHICLE. NOT LEGAL FOR SALE OR USE NATIONWIDE ON ANY FEDERAL POLLUTION CONTROLLED MOTOR VEHICLE UNDER THE CLEAN AIR ACT

†Exempt from emissions tampering regulations in 1999-2006 applications originally equipped with H-D? "A" grind camshafts under CARB EO# D-355-14

**NOTE:**

**"This cam kit is not for touring models and does not work with compression over 9.9 to 1"**

Pinion shaft run-out must be checked before installing S&S® gear drive cams. Gear Drive cams should only be used in engines with pinion shaft runout of no more than .003"

A hydraulic press and other professional tools are required to install S&S gear drive cams. Additionally, material must be removed from the inner surface of the stock gearcover. The stock crankcase will require clearancing for S&S .625", .640", and .675" lift cams. S&S recommends that gear drive cams be installed by a professional mechanic.

New cam bearings and a new gearcover gasket are required to complete cam installation. Gear drive cams for 1999-'06 models require the use of ball bearing style cam bearing rather than the stock roller bearing. Roller bearings have more internal clearance which can cause excessive gear lash and increased noise. The correct parts are provided in S&S Camshaft Installation Kit, part #106-5896.

Due to the inherent characteristics of gear drives, you may experience more valve train noise with gear driven cams. Oversized and undersized gears are available to help achieve correct gear lash. We have found that with 160 lb. of valve seat force, the S&S gear drive cams will perform well up to 6200 rpm. If higher rpm is anticipated, valve springs that provide higher seat force should be used.

S&S can do a special order cam. Contact your S&S Customer Service Representative for more information.

1999-'06  
TWIN CAM  
88



**FEATURES AND BENEFITS**

- Increase performance at an affordable price
- Quick installation—reuse many stock components
- Easy Start Cams allow stock starter to start any engine

**KIT CONTENTS**

- Cams
- Installation Kit: gearcover gasket, bearings, retaining ring, o-ring, thread lock
- Instructions

**NOTE:**

**"This cam kit is not for touring models and does not work with compression over 9.9 to 1.**

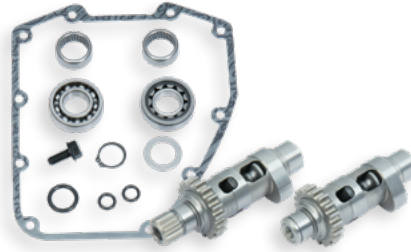
If OES, 509 or 510C cams are used with the stock chain drive system in Twin Cam 88<sup>®</sup> engines, it is recommended to use cylinder heads with stock valve springs or performance valve springs with no more than 160 lb. of seat force. For more demanding applications, we recommend the S&S gear drive cams.

When using 1999-'06 chain drive cams for lifts over .510", S&S strongly recommends that the stock chain drive be upgraded to the S&S gear drive or to the HD<sup>®</sup> #25284-08 or #25284-11 hybrid plate. This kit updates the problematic spring loaded chain tensioners to reliable hydraulic tensioners and also upgrades the oil pump.

551 and 583 cams are not recommended with compression ratio of 10:1 or higher.

S&S can do a special order cam. Contact your S&S Customer Service Representative for more information.

NOT LEGAL FOR SALE OR USE IN CALIFORNIA ON ANY POLLUTION CONTROLLED MOTOR VEHICLE. NOT LEGAL FOR SALE OR USE NATIONWIDE ON ANY FEDERAL POLLUTION CONTROLLED MOTOR VEHICLE UNDER THE CLEAN AIR ACT



**CHAIN DRIVE CAM KITS FOR 1999-'06 MODELS (EXCEPT 2006 DYNA<sup>®</sup>)**

Cam	Standard	MSRP	Easy Start	MSRP
OES	330-0400	\$418.95	—	
505	—		—	
509	330-0016	\$429.95	—	
510	33-5182A	\$418.95	—	
551	330-0002	\$418.95	106-5293	\$540.95
570	330-0003	\$418.95	106-5296	\$540.95
583 <sup>††</sup>	330-0004	\$418.95	106-5289	\$540.95
585	330-0005	\$429.95	106-5299	\$540.95
625	330-0006	\$418.95	106-5302	\$540.95
MR103	330-0456	\$418.95	330-0459	\$540.95
635 H.O.	330-0426	\$418.95	330-0429	\$540.95

\*2006 Dyna<sup>®</sup> cams are in Section 2.

**Cam Related Parts**



33-4275

CAM GEAR DRIVE KITS			
Fitment	Part #	MSRP	
1999-'06 bt	33-4275	\$669.95	
<small>(Includes front and rear inner cam gears, pinion gear, and outer cam gear)</small>			



33-4276

OUTER CAM DRIVE GEAR KIT			
Fitment	Part #	MSRP	
Fits 1999-'06 bt	33-4276	\$346.95	



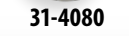
33-4271P

HARDWARE PACK FOR OUTER CAM GEAR			
Description	Part #	MSRP	
Hardware Pack, Fits 1999-up bt	33-4271P	\$15.95	
Replacement Key	106-1348	\$9.95	



33-5212

HEAVY DUTY CAM BEARING PLATE			
Fitment	Part #	MSRP	
Fits 1999-'06 bt	33-5212	\$13.95	



31-4080

CAM NEEDLE BEARINGS ASSEMBLIES			
Fitment	Part #	MSRP	
Inner Cam Bearing 1999-'06 bt <small>(except 2006 Dyna<sup>®</sup>)</small>	31-4080	\$16.95	

All reference to HD<sup>®</sup> part numbers is for identification purposes only. We in no way are implying that any of S&S Cycle's products are original equipment parts or that they are equivalent to the corresponding HD<sup>®</sup> part number shown.

**REPLACEMENT GEARS, OVERSIZED & UNDERSIZED**

Description	Fitment	Part #	MSRP
Outer Rear Cam Drive Gear Only	1999-'06 <small>(except '06 Dyna)</small>	106-4882	\$241.95
Inner cam gear, Front or Rear	1999-'06 <small>(except '06 Dyna)</small>	330-0550	\$161.95
Rear Inner Cam Gear, Undersized	1999-'06 <small>(except '06 Dyna)</small>	330-0551	\$163.95
Pinion Gears	1999-up	Standard Size	33-4160 \$119.95
		Undersized	33-4160X \$132.95
		Double Under	33-4160XX \$132.95
		Oversized	33-4160Z \$132.95
		Double Over	33-4160ZZ \$132.95

Due to machining variations in the stock cam plate, oversized or undersized gears may be needed to achieve correct gear lash.

**REPLACEMENT INSTALLATION KITS**

Description	Standard	MSRP
For S&S Chain Drive Cams	33-5175	\$164.95
For S&S Gear Drive Cams	106-5896	\$83.95

Includes a gearcover gasket, cam bearings, retaining ring, o-ring, thread lock and instructions.

MB

2007-'17  
TWIN CAM  
96"/103"/110"

1999-'06  
TWIN CAM  
88"

SPORTSTER, STREET,  
NIGHTSTER, STREET ROD  
& BUJELL

TOOLS &  
SHOP  
SUPPLIES

WARRANTY &  
COMPANY  
POLICY

APPENDIX



### Gear or chain drive

#### FITMENT

- 1999–'06 Harley-Davidson® big twins & 2006 Dyna® models (except 2006 Dyna® models)

#### FEATURES

- Upgrade to S&S bolt-in performance chain drive or gear drive camshafts
- Upgrade 1999–'06 models to 2007–'16 style oil pump
- Improved engine performance — higher lift and optimized cam timing
- S&S Quickee pushrods — easy installation, without removing rocker covers
- Replace stock oil pump, cam support plate, cams, chain tensioners, and tappets with all new premium U.S. made S&S components
- Better, more consistent oil pressure



#### CHAIN DRIVE CAM CHEST UPGRADE KIT FOR 1999–'06 BIG TWINS (EXCEPT 2006 DYNA® MODELS)

Cam	Part #	MSRP
509C Standard	330-0540	\$2,060.95
510C Standard	330-0541	\$2,060.95
551CE Easy Start	330-0542	\$2,172.95
585CE Easy Start	330-0543	\$2,397.95

NOT LEGAL FOR SALE OR USE IN CALIFORNIA ON ANY POLLUTION CONTROLLED MOTOR VEHICLE. NOT LEGAL FOR SALE OR USE NATIONWIDE ON ANY FEDERAL POLLUTION CONTROLLED MOTOR VEHICLE UNDER THE CLEAN AIR ACT

#### GEAR DRIVE CAM CHEST UPGRADE KIT FOR 1999–'06 BIG TWINS (EXCEPT 2006 DYNA® MODELS)

Cam	Part #	MSRP
509G Standard	310-0810	\$2,233.95
510G Standard	310-0811	\$2,233.95
551GE Easy Start	310-0812	\$2,356.95
585GE Easy Start	310-0813	\$2,749.95

NOT LEGAL FOR SALE OR USE IN CALIFORNIA ON ANY POLLUTION CONTROLLED MOTOR VEHICLE. NOT LEGAL FOR SALE OR USE NATIONWIDE ON ANY FEDERAL POLLUTION CONTROLLED MOTOR VEHICLE UNDER THE CLEAN AIR ACT

#### NOTE:

Stock valve springs in 1999–'04 big twin models can handle cams with valve lifts as high as .515". Stock valve springs in 2005–up engines can accommodate valve lifts up to .590".

## Hydraulic Cam Chain Tensioner Kit

#### FITMENT

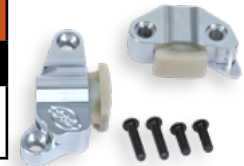
- 2007–2016 big twin & 2006 Dyna® models
- 1999–'06 models with hydraulic cam plate upgrade

#### FEATURES

- Thicker shoe for longer wear
- Direct chain oiling
- Larger piston
- Tighter tolerance for improved stability
- Made in USA

#### HYDRAULIC CAM CHAIN TENSIONER KIT

Fitment	Part #	MSRP
1999–'06 models with hydraulic cam plate upgrade	330-0518	\$174.95



#### REPLACEMENT PARTS

Description	Part #	MSRP
Tensioner, Asm, Inner, Body, Cam Chain	330-0519	\$90.95
Tensioner, Assembly, Outer, Body, Cam Chain	330-0520	\$90.95
Tensioner Shoe, Chain, Camshaft	330-0521	\$40.95

High performance tappets are a cornerstone of the S&S line up and we are always looking to improve our products. After months of research and countless hours of testing we are excited to reveal the latest in performance lifters. The S&S Cycle Precision Tappets replace both our standard as well as premium lifters. Each Precision Lifter is hand assembled to exacting tolerances and designed for quiet operation and rapid pump up and all are made in the USA.

**FITMENT**

- 1999–2017 big twins
- S&S T-Series engines

**FEATURES**

- Reduced valve train noise from start up to shut down
- Close tolerances for low leak down rates
- Fast pump up and superior high rpm performance

PRECISION TAPPETS		
Set of 4 tappets	330-0718	\$279.95



**Tappet Covers**

**FITMENT**

- 1999–'16 big twin
- S&S crankcases

**FEATURES AND BENEFITS**

- CNC billet aluminum provides extra strength and dimensional stability over a wide temperature range
- Simple to install upgrade that looks great

**KIT CONTENTS**

- Covers
- Gaskets
- Installation hardware



33-5601

TAPPET COVER KITS		
Finish	Part #	MSRP
Gloss Black	330-0588	\$254.95
Polished	33-5601	\$254.95
Chrome	106-3883±	\$265.95

± WARNING: Cancer and Reproductive Harm – www.P65Warnings.ca.gov

REPLACEMENT PARTS FOR TAPPET COVERS			
Descriptions		Part #	MSRP
Gasket	each	33-5303-S 18635-99B	\$8.95
	2 pack	33-5303-2 18635-99B	\$11.95
Screw w/flat washer, Zinc	each	50-0092-S 4741A	\$7.95
	4 pack	50-0092P 4741A	\$10.95
Screw, Chrome	each	50-0482±	\$8.95
Washer, Flat, Chrome	each	50-7017±	\$6.95

± WARNING: Cancer and Reproductive Harm – www.P65Warnings.ca.gov

All reference to HD® part numbers is for identification purposes only. We in no way are implying that any of S&S Cycle's products are original equipment parts or that they are equivalent to the corresponding HD® part number shown.

M8  
 2007-'17 TWIN CAM 96"/103"/110"  
 1999-'06 TWIN CAM 88"  
 SPORTSTER, STREET, NIGHTSTER, STREET ROD & BUJELL  
 TOOLS & SHOP SUPPLIES  
 WARRANTY & COMPANY POLICY  
 APPENDIX



All S&S Quickee Pushrods are covered by US Patent No. 7644694

**FITMENT**

- 1999–'17 big twins (except 2017 touring models) w/stock engine height +/- .050"

**FEATURES AND BENEFITS**

- Adjustable to accommodate all tappets and cam base circle diameters and engine heights
- Easy to install—removal of rocker box not needed
- No threads on wrench flats
- Also available in gloss black

**KIT CONTENTS**

- Pushrods, chrome pushrod covers, o-rings, and cover keepers



When a Quickee adjustable pushrod is collapsed, it can easily be installed or removed from an assembled engine.



QUICKEE ADJUSTABLE PUSHRODS		
Description	Part #	MSRP
Gloss Black Pushrod Kit <i>(includes black pushrod covers, o-rings &amp; cover keepers)</i>	<b>930-0143</b>	<b>\$336.95</b>
Chrome Pushrod Kit <i>(includes chrome pushrod covers, o-rings &amp; cover keepers)</i>	<b>106-6051</b>	<b>\$309.95</b>
Pushrods Only*	<b>93-5122</b>	<b>\$209.95</b>

Longer keepers are required for taller than stock engines. 215 for pushrod cover keepers.  
\*1984–99 style pushrod covers are required for access to the Quickee Adjustable Pushrod adjusters in 2007–'12 big twins. 215 for pushrod covers.  
± WARNING: Cancer and Reproductive Harm — www.P65Warnings.ca.gov

**Standard Adjustable Pushrods**

**FITMENT**

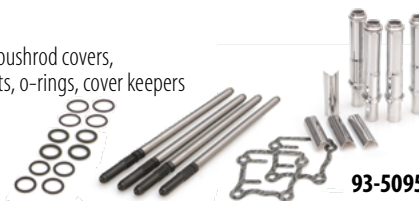
- 1999–'17 (except '17 touring)
- Lengths available for various displacements

**FEATURES AND BENEFITS**

- Adjustable to accommodate all tappets & cam base circle diameters

**KIT CONTENTS**

- Pushrods, chrome pushrod covers, tappet cover gaskets, o-rings, cover keepers



STANDARD ADJUSTABLE PUSHRODS FOR HARLEY-DAVIDSON® TWIN CAM 88®										
Displacement	Engine Height	Cylide Length	Pushrod Kit <sup>±</sup>	MSRP	Pushrods Only	MSRP	Pushrod Covers <sup>±</sup>	MSRP	Cover Keepers <sup>±</sup>	MSRP
88", 95", 96", 103", 106"	Stock	4.937"	<b>93-5095</b>	<b>\$249.95</b>	<b>93-5096</b>	<b>\$154.95</b>	<b>106-1340</b>	<b>\$193.95</b>	<b>93-4100</b>	<b>\$40.95</b>
124"	+ .096"	5.013"	—		<b>93-5098</b>	<b>\$164.95</b>	<b>106-1340</b>	<b>\$193.95</b>	<b>93-4115</b>	<b>\$40.95</b>
T143	+ .2875"	5.057"	—		<b>930-0103</b>	<b>\$173.95</b>	<b>106-1340</b>	<b>\$193.95</b>	<b>93-4102</b>	<b>\$40.95</b>
Special Order	Specify	Specify	—		—		—		<b>93-4109*</b>	<b>\$50.95</b>

\*Custom, extra long stainless steel 4.250" customer to cut to required length      \*\*Special Order: Download the Special Order Form at [ssycle.com/soforms](http://ssycle.com/soforms)  
± WARNING: Cancer and Reproductive Harm — www.P65Warnings.ca.gov

**Non-Adjustable Pushrods**

**FITMENT**

- 1999–'06 Harley-Davidson® Twin Cam 88® big twin engines
- S&S T111

**FEATURES AND BENEFITS**

- Replaces stock pushrods perfectly
- 7/16" high strength chromoly steel tubing for increased strength
- Pushrods are marked with stock color code and valve position for easy installation



NON-ADJUSTABLE PUSHRODS—PUSHRODS ONLY		
Fitment	Part #	MSRP
1999–up	<b>930-0046</b>	<b>\$91.95</b>
T111	<b>930-0144</b>	<b>\$81.95</b>

1999-'06 TWIN CAM 88



**FITMENT**

- 1999-'17 big twins

PUSHROD REPLACEMENT PARTS			
Description		Part #	MSRP
Pushrod Cover Kit <i>(includes top &amp; bottom covers, cover cap, cover spring, spring washer, &amp; o-rings for four pushrods)</i>	Chrome	<b>106-1340</b>	<b>\$193.95</b>
	Gloss Black	<b>930-0124</b>	<b>\$203.95</b>
Top Cover	each	<b>93-4016</b> 17935-66T, 17935-79B	<b>\$19.95</b>
Bottom Cover	each	<b>93-4015</b> 17938-83	<b>\$21.95</b>
Cover Cap	each	<b>93-4017</b> 17945-36B	<b>\$14.95</b>
Cover Spring	each	<b>93-4018</b> 17947-36	<b>\$7.95</b>
Cover Cap Washer	each	<b>50-7131</b> 6762B	<b>\$6.95</b>
Pushrod O-ring kit <i>(includes top, middle, and bottom o-rings for four pushrods)</i>		<b>93-4022</b>	<b>\$12.95</b>
Top O-ring	each	<b>50-8039</b> 11293, 11157, 11101, 11190	<b>\$12.95</b>
Middle O-ring	each	<b>50-8038</b> 11132A	<b>\$6.95</b>
Bottom O-ring	each	<b>50-8037</b> 11145A	<b>\$6.95</b>

PUSHROD COVER KEEPER SETS FOR 2007-'17 BIG TWINS				
Length / Finish	S&S Tubes	Part #	MSRP	
2.390" / Gloss Black		<b>930-0127</b>	<b>\$40.95</b>	
2.400" / Chrome	All stock height TC 96/103 with stock HD® pushrod tubes	<b>93-4070</b> ± 17950-48	<b>\$41.95</b>	
2.500"	Chrome	96", 100", 117", 103", 106" HSU with S&S® pushrod tubes	<b>93-4100</b> ±	<b>\$40.95</b>
	Gloss Black		<b>930-0142</b>	<b>\$40.95</b>
2.600"	Chrome	124"	<b>93-4101</b> ±	<b>\$41.95</b>
	Gloss Black		<b>930-0128</b>	<b>\$40.95</b>
2.800" / Chrome		<b>93-4115</b> ± 17950-86	<b>\$40.95</b>	
2.900"	Chrome	143"	<b>93-4102</b> ±	<b>\$40.95</b>
	Gloss Black		<b>930-0126</b>	<b>\$40.95</b>
3.000" / Chrome		<b>93-4103</b> ±	<b>\$40.95</b>	
3.100"	Chrome		<b>93-4104</b> ±	<b>\$40.95</b>
	Gloss Black		<b>930-0125</b>	<b>\$40.95</b>
3.200" / Chrome		<b>93-4105</b> ±	<b>\$40.95</b>	
3.330" / Chrome		<b>93-4106</b> ± 17949-40, 17950-66	<b>\$40.95</b>	
3.500" / Chrome		<b>93-4107</b> ±	<b>\$40.95</b>	
4.250"*		<b>93-4109</b>	<b>\$50.95</b>	

\*Custom, extra long stainless steel 4.250", customer to cut to required length  
 ± WARNING: Cancer and Reproductive Harm – www.P65Warnings.ca.gov



93-4016

93-4015



93-4017



93-4018



50-7131



50-8037



50-8039



50-8038



93-4109



93-4101

All S&S pushrod keepers are chromed steel, except part #93-4109. Keeper part #93-4109 is intended for unusually tall engines. It is manufactured of unchromed stainless steel to prevent rust or peeling after it is trimmed to the required length.

All reference to HD® part numbers is for identification purposes only. We in no way are implying that any of S&S Cycle's products are original equipment parts or that they are equivalent to the corresponding HD® part number shown.

MB

2007-'17 TWIN CAM 96"/103"/110"

1999-'06 TWIN CAM 88"

SPORTSTER, STREET, NIGHTSTER, STREET ROD & BUJELL

TOOLS & SHOP SUPPLIES

WARRANTY & COMPANY POLICY

APPENDIX



**FITMENT**

- Twin Cam 88® big twins w/stock heads (both 7mm and 5/16" valve stems)
- All S&S Super Stock® heads (5/16" valve stems)

**FEATURES AND BENEFITS**

- Works well with cams up to .650" lift
- Manufactured from ultra clean high silicon Kobe alloy wire then micro shot peened and nitrided
- CNC machined 9° locks
- High performance conical single wire spring
- Chromoly forged retainers

**KIT CONTENTS**

- Valve keepers, Top & Bottom collars, Springs, Shims

**S&S® .SIDEWINDER .650" VALVE SPRINGS SPECIFICATIONS**

Lift	Installed Height	Seat Force	Force @ Max Lift	Max RPM
.650"	1.860"	178 lb.	376 lb.	6500



**SIDEWINDER .650" VALVE SPRING KITS**

Description	Part #	MSRP
1999-'04 (5/16" valve stems) *	<b>900-0050</b>	<b>\$254.95</b>
2005-'17 big twins (7mm stems) <i>except 2017 touring models</i>	<b>106-5909</b>	<b>\$257.95</b>

*\*Does not include seals*

**NOTE:**

S&S recommends roller rocker arms be used with lifts over .585"

**Street Performance .585"**

**FITMENT**

- Twin Cam 88® big twins w/stock heads (both 7mm and 5/16" valve stems)
- All S&S Super Stock® heads (5/16" valve stems)

**FEATURES AND BENEFITS**

- Single wire conical shape
- Suitable for high performance applications
- Accommodates camshaft lift to 0.585"

**S&S® .STREET PERFORMANCE .585" VALVE SPRINGS SPECIFICATIONS**

Lift	Installed Height	Seat Force	Force @ Max Lift
.585"	1.85"	135 lb.	325 lb.



**STREET PERFORMANCE .585" SPRING KITS**

Description	Part #	MSRP
1999-'04 big twins (5/16" valve stems)	<b>900-0593</b>	<b>\$163.95</b>
2005-'17 big twins (7mm stems) <i>except 2017 touring models</i>	<b>900-0594</b>	<b>\$183.95</b>
All S&S Super Stock Heads	<b>900-0595</b>	<b>\$163.95</b>

**VALVE SPRING REPLACEMENT PARTS: 250**

1999-'04  
TWIN CAM  
88





**FITMENT**

- 1999-'17 big twins (except '17 touring)

**FEATURES AND BENEFITS**

- **Roller Rocker Arms:**
  - Extremely durable rollers reduce valve stem side thrusting with high lift cams
  - Superior wear and fatigue resistance even in the most demanding applications
  - ¾" long bushings provide 50% more bushing support area than ½" long bushings
  - Available in stock 1.625:1 ratio or performance 1.725:1 ratio
- **Standard Rocker Arms:**
  - ¾" long bronze bushings provide 50% more load bearing area than the ½" long bushings used in stock and other aftermarket rocker arms
  - Case carburized hard surface for longer life
  - Stock 1.625:1 ratio

**KIT CONTENTS:**

- 2 front and 2 rear rocker arms



900-4065A



900-4119A

1.625:1 RATIO FORGED ROLLER ROCKER ARMS		
Description	Part #	MSRP
1.625:1 Ratio Roller Rocker Arm Set 2 front & 2 Rear	900-4065A	\$652.95
Front Exhaust/Rear Intake each	900-4065FA	\$191.95
Rear Exhaust/Front Intake each	900-4065RA	\$193.95
1.725:1 RATIO FORGED ROLLER ROCKER ARMS		
1.725:1 Ratio Roller Rocker Arm Set 2 front & 2 Rear	900-4098A	\$693.95
Front Exhaust/Rear Intake each	900-4098FA	\$212.95
Rear Exhaust/Front Intake each	900-4098RA	\$212.95
Standard Forged Rocker Arm kit		
1.625:1 Ratio Forged Rocker Arm Set 2 front & 2 Rear	900-4119A	\$326.95
Front Exhaust/Rear Intake each	900-4119FA  17375-83A	\$122.95
Rear Exhaust/Front Intake each	900-4119RA  17360-83A	\$122.95



90-4036



90-4104

REPLACEMENT PARTS FOR FORGED ROCKER ARMS		
Description	Part #	MSRP
Rocker Arm Shafts (Set of 4)	90-4036  17611-83B	\$50.95
Rocker Arm Shafts (each)	90-4006  1,2,3 17611-83B	\$16.95
Roller Rocker Arm Rebuild kits (rebuilds 4 rocker arms)	90-4104	\$163.95
Roller & Standard Rocker arm bushing (¾" long)	90-4014	\$14.95

**NOTE:**

S&S roller rocker arms are recommended for use with cams having more than 0.585" of lift. Adjustable pushrods must be used with S&S roller rocker arms to obtain proper valve clearance. New rocker arm shafts are recommended for maximum performance and rocker life. The use of 1.725:1 ratio rocker arms will increase stress on cams, tappets, and pushrods. For this reason they are recommended for racing only and not for street applications.

All reference to HD® part numbers is for identification purposes only. We in no way are implying that any of S&S Cycle's products are original equipment parts or that they are equivalent to the corresponding HD® part number shown.

MB

2007-'17  
TWIN CAM  
96"/103"/110"

1999-'06  
TWIN CAM  
88"

SPORTSTER, STREET,  
NIGHTSTER, STREET ROD  
& BUJELL

TOOLS &  
SHOP  
SUPPLIES

WARRANTY &  
COMPANY  
POLICY

APPENDIX



**FITMENT**

- Available for 1999–2017 big twin engines (except Twin-Cooled™ models & '17 touring)
- Ideal for 88"–24" engines (must use Screamin' Eagle® high flow injectors, HD® #27796-08, with kits over 106")

**FEATURES AND BENEFITS**

- CNC machined ports for a consistent performance increase from stock heads
- Great throttle response, high velocity port without losing low RPM torque
- Assembled with performance valves and springs ready to bolt-on
- Choice of .585" or .650" lift valve springs
- Combustion chambers are available in the following volumes:
  - 83cc—Generally used for stock 88" up to 106" engine displacements
  - 85cc—Same as stock Twin Cam 88" and 96" engine displacements
  - 87cc—Recommended for up to 117" engine displacements
  - 90cc—Generally used for 124" and up engine displacements
- Available in factory black or silver



106-5880

**S&S CNC PORTING SERVICE OPTIONS**

**REWORK SERVICE**

- Send your stock heads to S&S
- Get the same set of heads back with CNC machined ports
- The best option for heads with a special cosmetic treatment
- Allow 1 week turn-around (does not include shipping)



WATCH THE S&S CNC PORTING VIDEOS AT [SSCYCLE.COM/MEDIA/VIDEOS](http://SSCYCLE.COM/MEDIA/VIDEOS)

**CUSTOM CNC PORT DUPLICATION**

- S&S can digitize your port design and machine it in your heads, ask an S&S customer service rep for details

**CNC PORTING SERVICE**

Fitment	Part #
1999–2017 big twins (except for Twin-Cooled™ models & '17 touring)	106-5880
NOT LEGAL FOR SALE OR USE IN CALIFORNIA ON ANY POLLUTION CONTROLLED MOTOR VEHICLE. NOT LEGAL FOR SALE OR USE NATIONWIDE ON ANY FEDERAL POLLUTION CONTROLLED MOTOR VEHICLE UNDER THE CLEAN AIR ACT	

**S&S® CNC PORTING SERVICE SPECIFICATION COMPARISON**

Heads	Valve Size		Max Valve Lift	Max TDC Lift		Port Flow		Chamber Volume
	Intake	Exhaust		Intake	Exhaust	Intake	Exhaust	
Stock	1.805"	1.575"	.585"	–	–	216.2 cfm	191.8 cfm	85cc
CNC Ported by S&S	1.900"	1.610"	.650"	.230"	.215"	248.6 cfm	209.7 cfm	83cc**

\*Flow testing performed on a SuperFlow® 1020 flow bench at 28" of water test pressure at .600" lift. Heads tested are 2006-'12 style.

Heads	COMPRESSION RATIO								
	88"	95"	96"	97"	103"	106" Stroker	106" Big Bore	117" DD Piston	124" DD Piston
Stock	9.0:1	9.2-1	9.2-1	9.7:1	10.1:1	10.1:1	10.0:1	10.0:1	10.7:1
CNC Ported by S&S	9.2-1	9.4:1	9.4:1	9.9:1	10.3:1	10.3:1	10.2-1	10.2-1	10.9:1

\*\*As a general rule of thumb, for every 1cc decrease in chamber volume equals a .1 increase in compression ratio.

**NOTE:**

CNC porting is not available for previously ported heads, heads that have been structurally damaged, or heads that are determined to be unserviceable during initial inspection. These heads will be returned to the customer without modification. In these cases, the customer will be notified and options will be reviewed. New, CNC ported stock heads or S&S heads are available for purchase.

Due to variations in stock cylinder head castings, all inside surfaces of the ports may not "clean up" during machining. As a result, the inside of one or more ports may not appear to be completely machined. This does not effect performance and is not considered a defect.

Fuel injection tuning required.

CNC porting is not currently available for Harley-Davidson® CVO engines or Screamin' Eagle® cylinder heads.

Must use Screamin' Eagle® high flow injectors, HD® #27796-08, with kits over 106"

S&S recommends using a S&S Throttle Hog throttle body when installing S&S CNC ported heads to achieve full horsepower performance potential.

1999-2017  
TWIN CAM  
88"



**CNC PORTED B2 SPECIAL APPLICATION CYLINDER HEADS**

High performance just got a lot easier and more affordable. In the past, S&S' B2 Special Application heads, that were used on the now legendary Tribute 145 engines, were often hailed as the best choice for very large displacement v-twin engines. S&S Cycle's B2 CNC ported heads are even better, providing added convenience, economy, and performance at the same time. Convenient because they now fit 2008-later bagger front motor mounts and the new two bolt exhaust-mounting flange is a lot easier to work with. Economical because riders can use stock exhaust pipes, or existing 2" header systems. The increased performance comes from the increased flow of the CNC ported intake and exhaust ports.

Kits do not include gaskets, hardware, or intake and exhaust flanges. These parts must be purchased separately. See next page.



900-0458

**FITMENT**

- 1999-'16 big twin engines 4 1/8" bore, stock bolt pattern (in stock, off-the-shelf\*)  
*\*S&S only stocks the late model 4 1/8" bore versions as off-the-shelf items, but heads for other applications and individual front of rear replacement heads are available by special order.*
- 1999-'16 big twin engines 4 1/8" bore and larger with S&S or other bolt pattern (special order only)
- 1984-'99 big twin engines 4 1/8" bore and larger (special order only)
- S&S SB-Series 4 1/8" bore and larger engines for 1986-'03 Sportster® models (special order only)
- Old style B2 replacement heads still available by special order

**FEATURES AND BENEFITS**

- 106cc combustion chambers
- Oval intake ports bolt up to S&S Throttle Hog 70mm throttle bodies (08-up touring applications only)
- Stock style breather system—compatible with stock and aftermarket air cleaners
- Large 2.200" intake and 1.800" exhaust valves
- .660" lift S&S valve springs with titanium top collars
- Machined for stock sensors—EFI ready
- Available in Wrinkle Black or Silver powder coat

**OPTIONS BY SPECIAL ORDER**

- CNC ported intake and exhaust ports—more air, more power!
- Two-bolt exhaust flanges—Can accommodate stock exhaust headers, existing 2" headers, or build your own 2" exhaust system
- Machined for 2008-later bagger front motor mount
- Select heads for 1984-'99 or 1999-'15 big twin style, or 1986-'03 xl
- 4 1/8" to 4 3/8" bore sizes
- Stock 1999-up, S&S, or other cylinder stud patterns—other patterns subject to approval
- Machined with or without S&S electric compression release
- Choose from a variety of pushrod geometry machining styles
- Choose from a variety of different chamber sizes
- Individual front of rear heads available by special order
- Available in Wrinkle Black, Gloss Black, Silver, or Natural

**NOTE:**

Heads are .230" taller than stock—requires special pushrods and/or frame clearancing or motor mount modifications  
 Exhaust pipe adaptor kits and other parts must be purchased separately. See "Additional Parts Required" chart.

B2 HEADS WITH STOCK BOLT PATTERN		
Finish	Part #	MSRP
Silver Powder Coat	900-0450	\$3,007.95
Wrinkle Black Powder Coat	900-0458	\$3,065.95

*\*Head Kits include valves and valve springs. Head sets w/o valves or springs individual front or rear heads are available by special order.*  
 NOT LEGAL FOR SALE OR USE IN CALIFORNIA ON ANY POLLUTION CONTROLLED MOTOR VEHICLE.  
 NOT LEGAL FOR SALE OR USE NATIONWIDE ON ANY FEDERAL POLLUTION CONTROLLED MOTOR VEHICLE UNDER THE CLEAN AIR ACT

! ADDITIONAL PARTS REQUIRED			
Product Description		Part #	MSRP
Special 4 1/8" Bore Pistons & Ring Set	Standard	92-1580	\$632.95
	+ .010"	92-1581	\$611.95
Special Length Pushrods (+.250")	For 124" engines	93-5106	\$152.95
	Stock height engines	93-5098	\$164.95
Intake Manifold Flange Kits	All B2 heads	16-0250	\$183.95

*\*Download the Special Order Form at [sscycle.com/soforms](http://sscycle.com/soforms)*

REPLACEMENT PARTS: 246

M8

2007-'17  
TWIN CAM  
96"/103"/110"

1999-'06  
TWIN CAM  
88"

SPORTSTER, STREET,  
NIGHTSTER, STREET ROD  
& BUJEL

TOOLS &  
SHOP  
SUPPLIES

WARRANTY &  
COMPANY  
POLICY

APPENDIX



**FITMENT**

- 1999–'05 big twins (2006 model year heads can be found in Section 2)

**FEATURES AND BENEFITS**

- Heads can be decked up to .060" to increase compression
- 79cc heads have 1.940" intake and 1.575" exhaust valves
- 89cc heads have 2.000" intake and 1.605" exhaust valves
- 91cc heads have 2.000" intake and 1.605" exhaust valves
- S&S .585" or .650" lift valve springs

- Stock bolt pattern heads include rocker base gaskets
- Stock Harley-Davidson® rocker boxes can be retained if S&S Easy Start cams are used. Must use S&S valve cover gasket kit part # 90-4120 with stock rocker covers

**OPTIONS**

- With or with out compression release machining (Compression release machining is for S&S compression releases)
- Silver powder coat or wrinkle black powder coat finish

**COMPRESSION RATIOS FOR S&S® SUPER STOCK® CYLINDER HEADS FOR 1999–'06 BIG TWINS**

Configuration	88"	95"	97" Big Bore	103"	106" Stroker	110"	111"	117"	124"
79cc	9.1	9.6/10.3*	10.3	10.2/11.1*	10.7	10.8	–	–	–
89cc	8.3	8.7/9.3*	9.4	9.3/10.1*	9.8	9.8	–	–	–
91cc	–	–	–	–	–	9.6	9.75	10.2	10.4

\*S&S pop-up piston

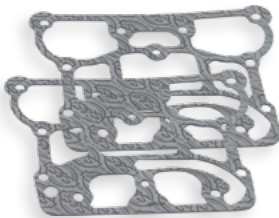
**STOCK BOLT PATTERN\*  
S&S® SUPER STOCK® CYLINDER HEAD KITS**

Fitment	Chamber Volume	Manifold Surface	Compression Release Machining	Springs	Finish	Part #		
1999–'05 bt	79cc		•	.650"	Silver	<b>106-4277</b>	<b>\$1,826.95</b>	
				.585"		<b>900-0254</b>	<b>\$1,480.95</b>	
				•	.650"	Wrinkle Black	<b>90-1293</b>	<b>\$1,721.95</b>
					.585"		<b>900-0251</b>	<b>\$1,553.95</b>
	89cc		•	.650"	Silver	<b>106-4270</b>	<b>\$1,721.95</b>	
				.650"		Wrinkle Black	<b>90-1106</b>	<b>\$1,721.95</b>
			.585"	Wrinkle Black	<b>900-0410</b>		<b>\$1,438.95</b>	
1999–'05 bt** 4 1/8" Bore	91cc		•		.650"	Wrinkle Black	<b>900-1163</b>	<b>\$1,730.95</b>
				.650"	<b>90-1163</b>		<b>\$1,730.95</b>	
S&S T124 Engines	91cc	+.032		.650"	Silver	<b>900-0465</b>	<b>\$1,730.95</b>	
				.650"		Wrinkle Black	<b>900-0470</b>	<b>\$1,682.95</b>
S&S T111 Engines	91cc	-.064		.585"	Wrinkle Black		<b>900-0480</b>	<b>\$1,699.95</b>

\*All stock bolt pattern Super Stock® head kits include S&S valve cover gasket kit part #90-4120 for use with stock rocker covers. NOT LEGAL FOR SALE OR USE IN CALIFORNIA ON ANY POLLUTION CONTROLLED MOTOR VEHICLE. NOT LEGAL FOR SALE OR USE NATION-WIDE ON ANY FEDERAL POLLUTION CONTROLLED MOTOR VEHICLE UNDER THE CLEAN AIR ACT



106-4277



90-4120

S&S valve cover gasket kit # 90-4120 must be used with stock rocker covers. Included with Stock Bolt Pattern Super Stock® Head Kits.



**S&S® BOLT PATTERN  
S&S REPLACEMENT CYLINDER HEAD KITS FOR S&S T-SERIES ENGINES FOR 1999–'06 BIG TWINS**

Description	Chamber Volume	Compression Release Machining	Springs	Finish	Part #	MSRP
S&S® T-Series Engines 4 1/8" Bore	91cc		.650" lift	Wrinkle Black	<b>90-1371</b>	<b>\$1,699.95</b>

**TOP END GASKET KITS FOR 1999–'06 BIG TWINS**

3 7/8" & 3.927" Bore	MSRP	4" Bore	MSRP	S&S 4 1/8" Bore (Graphite)	MSRP	Stock 4 1/8" Bore (Layered Steel)	MSRP
<b>910-0465</b>	<b>\$102.95</b>	<b>930-0116</b>	<b>\$101.95</b>	<b>90-1910</b>	<b>\$73.95</b>	<b>90-1914</b>	<b>\$142.95</b>

Includes a set of head and base gaskets, exhaust gaskets and o-rings.

**REPLACEMENT PARTS: 248**

1999-'06  
TWIN CAM  
88"



**NOTE:**

**79cc heads**

When 79cc stock compatible heads are used with stock HD® pistons, TDC lifts of up to .186" for intake and .179" for exhaust and can be used without additional valve pocket clearancing. This allows the use of S&S® 510, 570, and 585 camshafts. If cams with higher TDC lifts are used, or if the heads are decked, piston valve pocket machining will be required.

79cc heads may be decked as much as .060" to increase compression. If heads are decked, piston valve pockets must be re-machined.

Moderate valve spring force in S&S Super Stock® cylinder heads allows the use of camshafts designed for the stock style chain cam drive system. However, for maximum reliability and performance we recommend the S&S gear drive cams.

Must use S&S valve cover gasket kit part #90-4120 with stock rocker covers.

79cc Heads should not be used with any piston having a pop up dome.

**89cc heads**

If 89cc heads are used with stock pistons, valve reliefs must be machined in the pistons due to larger valve size.

89cc heads may be decked as much as .060" to increase compression. If heads are decked, valve-to-piston clearance must be checked. If stock pistons are used, valve pockets must be re-machined.

Moderate valve spring force in S&S® Super Stock® cylinder heads allows the use of camshafts designed for the stock style chain cam drive system. However, for maximum reliability and performance we recommend the S&S gear drive cams.

A larger intake manifold is recommended to supplement the heads in order to let them flow to their full potential.

Must use S&S valve cover gasket kit part #90-4120 with stock rocker covers.

**91cc heads**

By changing the profile and shape of the cooling fins on our heads for 4 1/8" bore engines, a large reduction in the transmission of mechanical noise was found. This not only benefits our TÜV certified engines and our EPA approved engines, but our performance engines as well!

Since April 1, 2007, these redesigned heads have been installed on all S&S 4 1/8" bore engines and Hot Set Up Kits.

Replacement heads of the old style are available by special order.

Must use S&S valve cover gasket kit part #90-4120 with stock rocker covers.

**MANIFOLD RECOMMENDATIONS**

S&S® manifolds for 1999-'06 carbureted engines are available to fit stock CV carburetors and S&S Super E and G carbs. Note that 2006 models require a slightly shorter manifold. (See "Important Manifold Information")

S&S single bore throttle body and manifold are recommended for engines with Magneti Marelli® and Delphi® fuel injection.

S&S single bore throttle body and manifold are recommended for 2006-'12, except 2008-'12 touring models. Due to the change in manifold flange mounting bolt pattern, stock flanges and S&S seal part #16-0235 must be used. The Screamin' Eagle® 58mm throttle body/manifold may also be used on 2006-'09 engines.

We recommend the stock 50 mm throttle body or Screamin' Eagle 58mm throttle body/manifold for 2008-up touring models with Electronic Throttle Control (ETC). These engines can be tuned with the Harley-Davidson® Super Tuner package, Pro EFI Super Tuner, Power Commander® or an aftermarket EFI tuning module or software tuner.

**IMPORTANT MANIFOLD INFORMATION**

In 2006, Harley-Davidson® changed the bolt pattern of the flanges that connect the manifold to the cylinder heads for all big twin engines. The pattern was changed from an offset bolt pattern to a symmetrical bolt pattern, so flanges can fit either the front or rear cylinder head. In addition, the intake port was moved slightly toward the drive side of the engine, making the port-to-port distance of the intake manifold slightly shorter. S&S® heads for 2006-up big twins are machined with the symmetrical bolt pattern and relocated port to allow for the fitment of stock manifolds. In 2008, Harley-Davidson touring models were equipped with electronic throttle control (ETC). The throttle body and manifold used on these engines is a one-piece unit that contains a servomechanism to control the position of the throttle plate. S&S recommends the S&S Throttle Hog throttle body for this application. This limits the cylinder length of engines using an ETC manifold/throttle body to stock length because the ETC manifold/throttle body units are only available in stock length. However, S&S does supply specially machined cylinder heads for our 124" Hot Set Up Kit® for 2008 and later baggers, which allows the use of a stock length manifold on these longer-than-stock engines.

**ORDERING NOTES:**

- Select the cylinder head kit that is correct for your application.
- Select a gasket kit for the bore size of your engine. (Refer to "S&S Top End Gasket Kits" chart, 220)
- Select an S&S manifold for your engine size or cylinder length and fuel system. (Optional)
- Select head bolt kit. (223)

**REPLACEMENT PARTS: 248**

M8

2007-'17  
TWIN CAM  
96"/103"/110"

1999-'06  
TWIN CAM  
88"

SPORTSTER, STREET,  
NIGHTSTER, STREET ROD  
& BUJELL

TOOLS &  
SHOP  
SUPPLIES

WARRANTY &  
COMPANY  
POLICY

APPENDIX

Early Twin Cam



1999-06  
TWIN CAM  
88

COM

S&S



HEAD BOLT-INFORMATION CHART					
Length w/Washer	Washer Thickness	Head Bolt w/ Washer	MSRP	Washers Only	MSRP
1.690"	.250"	93-3028	\$15.95	50-7091	\$7.95
1.840"	.150"	93-3027	\$15.95	50-0418-S	\$9.95
1.920"	.250"	93-3036	\$21.95	50-7091	\$7.95
2.070"	.150"	93-3031	\$21.95	50-0418-S	\$9.95
2.220"	.250"	93-3038	\$21.95	50-7091	\$7.95
2.370"	.150"	93-3032	\$21.95	50-0418-S	\$9.95
3.134"	.250"	93-3029	\$21.95	50-7091	\$7.95
3.284"	.150"	93-3030	\$21.95	50-0418-S	\$9.95
3.501"	.250"	93-3037*	\$21.95	50-7091	\$7.95
3.651"	.150"	93-3033*	\$21.95	50-0418-S	\$9.95

\*Drilled & tapped deeper to allow shortening for custom lengths.



HEAD BOLT WASHERS		
Thickness	Part #	MSRP
.150"	50-0418-S	\$9.95
.250"	50-7091	\$7.95

**PLEASE NOTE: HEAD BOLTS FOR T143 ENGINE ARE PART # 93-3037**

HEAD BOLTS FOR HARLEY-DAVIDSON® TWIN CAM 88® AND TWIN CAM 96™ ENGINES									
Engine Displacement	Stroke	Cylinder Length	Cylinder Head	Short Bolt w/ Washer	MSRP	Long Bolt w/ Washer	MSRP	Head Bolt Kit	MSRP
88", 95"	4"	4.935"	Stock HD®	93-3031	\$21.95	93-3030	\$21.95	93-3014	\$142.95
			S&S®	—		93-3030	\$21.95	93-3070	\$142.95
100"	4"	4.850"	Stock HD®	93-3036	\$21.95	93-3030	\$21.95	93-3014	\$142.95
			S&S®	—		93-3029	\$21.95	—	
106" Stroker	4½"	4.935"	Stock HD®	93-3031	\$21.95	93-3030	\$21.95	93-3014	\$142.95
			S&S®	—		93-3030	\$21.95	93-3070	\$142.95
107"	4¼"	4.975"	Stock HD®	93-3031	\$21.95	93-3037	\$21.95	—	—
			S&S®	—		93-3030	\$21.95	93-3070	\$142.95
111"	4⅞"	4.763"	Stock HD®	93-3027	\$15.95	93-3030	\$21.95	93-3010	\$102.95
			S&S®	—		93-3029	\$21.95	—	
116"	4⅝"	5.160"	Stock HD®	93-3038	\$21.95	93-3037	\$21.95	93-3016	\$142.95
			S&S®	—		93-3037	\$21.95	93-3071	\$142.95
117"	4¾"	4.888"	Stock HD®	93-3031		93-3030		93-3014	
			S&S®	—		93-3030		93-3070	
124"	4⅞"	5.013"	Stock HD®	93-3038		93-3037		93-3016	
			S&S®	—		93-3037		93-3071	

**CALCULATING CUSTOM HEAD BOLT LENGTHS PAGE 363**

Dress up your engine with these magnetic chrome head bolt covers. Easy installation, no tools, no messy adhesives. A powerful magnet holds cover in place, yet allows easy removal. Chrome plated steel looks great on any engine, but is a must for polished engines. For S&S head bolts only.



CHROME HEAD BOLT COVERS		
Set of 4	50-0333	\$91.95
WARNING: Cancer and Reproductive Harm — www.P65Warnings.ca.gov		

MB

2007-'17  
TWIN CAM  
96"/103"/110"

1999-'06  
TWIN CAM  
88"

SPORTSTER, STREET,  
NIGHTSTER, STREET ROD  
& BUILL

TOOLS &  
SHOP  
SUPPLIES

WARRANTY &  
COMPANY  
POLICY

APPENDIX

**FITMENT**

- All Twin Cam 88® big twins
- Sold as stock in 4 1/8" bore S&S engines

**FEATURES AND BENEFITS**

- Special rocker arm supports are included
- S&S rocker covers are finished with show-quality chrome
- Installation on stock and most comparable sized engines can be performed without removing the engine from the frame
- Cleared to permit valve lifts up to .640" using S&S valve spring packages and stock rocker arms or S&S roller rocker arms
- S&S rocker covers accept valve springs up to 1.660" O.D. without modification
- Exclusive one way valve built into the rocker cover gasket to control oil carry over

**KIT CONTENTS**

- Front and rear covers
- All necessary gaskets and o-rings
- Mounting hardware



**ANY JOB IS EASY WITH THE RIGHT TOOLS  
S&S ROCKER COVER WRENCH SET, PAGE 339**

**DIE-CAST ROCKER COVER KIT**

Description	Part #	MSRP
Gloss Black	900-0937	\$879.95
Chrome	90-4110	\$1,091.95

**WARNING:** Cancer and Reproductive Harm – [www.P65Warnings.ca.gov](http://www.P65Warnings.ca.gov)

**REPLACEMENT PARTS: 251**

**NOTE:**

If using valve spring packages with taller than stock installed height, some minor clearancing may be required. Cylinder heads must be set up correctly for high lift cams, and it remains the builder's responsibility to confirm all clearances. In most instances, only minor clearancing is required to use S&S rocker covers with valve springs larger than 1.660" O.D. S&S® rocker covers are required if S&S cylinder heads are used with S&S electric compression releases.

1999-06  
TWIN CAM  
88





**FITMENT**

- 1999-'06 big twins

**FEATURES AND BENEFITS**

- Fits stock or S&S heads
- Fits stock or engines with taller cylinders



Manifold for S&S carburetors



Manifold for CV carburetor



16-0242



16-0241

**MANIFOLDS FOR 1999-2005 BIG TWIN ENGINES (REQUIRING MAP SENSOR\* MACHINING)**

Engine Style and Displacement	Cylinder Length	Manifold Size	Super E	MSRP	Super G	MSRP
**88", 95" & 106" & S&S T-Series Engines	4.937"	410	160-1718	\$151.95	16-2588	\$167.95
Stock 2006 models	4.937"	405	160-1717	\$151.95	16-2587	\$167.95
**111" & S&S T-Series 111" Engines	4.763"	398	160-4487	\$151.95	16-2604	\$164.95
117" & S&S 117" Hot Set Up Kits	4.888"	408	-		16-2603	\$195.95
**124" & S&S T-Series 124" Engines	5.013"	417	-		16-2598	\$164.95

\*All S&S engines for 1984-'06 and 1999-up big twins equipped with S&S IST ignition system.

\*\*Some S&S heads have additional material on the manifold surface to allow the use of a stock length manifold (410) on a 99-'06 111" and 124" engine. If you are not sure which manifold should be ordered, check fitment with the stock manifold first.

**NOTE:**

S&S manifolds require S&S style manifold o-rings. S&S style o-rings must be used with these manifolds. S&S o-rings are slightly thinner to accommodate the larger S&S port diameter. Use of stock o-rings may cause damage. 238.

CV MANIFOLDS — 1999-2005 BIG TWIN				
Style/Displacement	(mm)	Manifold Size	Part #	MSRP
88", 95", 106" Twin Cam 88	40-45mm	410	160-1722	\$152.95
96 stock	48mm	410	160-0001A	\$152.95

U-RINGS FOR CONSTANT VELOCITY CARBS		
Size	Part #	MSRP
40-42mm	16-0242  27002-89	\$40.95
44-48mm	16-0241	\$40.95

CV MANIFOLDS — 2006 & UP BIG TWIN				
Style/Displacement	(mm)	Manifold Size	Part #	MSRP
96 stock	40-45mm	405	160-1721	\$152.95
96 stock	48mm	405	160-0002A	\$152.95

REPLACEMENT PARTS FOR MANIFOLDS		
Description	Part #	MSRP
Manifold Fitting VOES Rubber Cap 3/16" I.D. x 3/16" O.D. x 1/2"	50-8372	\$6.95
Manifold Vacuum Fitting	16-0136-S	\$8.95

**Manifolds For Single Bore EFI Big Twin Engines**

**FITMENT**

- Stock height or taller than stock 1999-'05 bt
- S&S 52mm or 58mm throttle bodies
- Stock or S&S heads
- S&S T-Series Long Block engines



**NOTE:**

S&S style o-rings must be used with these manifolds. S&S o-rings are slightly thinner to accommodate the larger S&S port diameter. Use of stock o-rings may cause damage.

**MANIFOLDS FOR SINGLE BORE EFI 1999-'05 BIG TWIN**

Engine Displacement	Cylinder Length	Manifold Size	Part #	MSRP
**88", 95", 103", 106" & S&S T-Series Engines	4.937"	410	16-5141	\$247.95
124" Hot Set Up Kit (w/stock or S&S heads w/stock manifold geometry)	5.013"	417	16-5139	\$267.95
**S&S T-Series 111" Long Block engines	4.763"	398	16-5136	\$247.95
**S&S T-Series 124" Long Block engines	5.013"	417	16-5139	\$267.95

\*\*Some S&S heads have additional material on the manifold surface to allow the use of a stock length manifold (410) on a '99-'06 111" and 124" engine. If you are not sure which manifold should be ordered, check fitment with the stock manifold first.

MB

2007-'17 TWIN CAM 96"/103"/110"

1999-'06 TWIN CAM 88"

SPORTSTER, STREET, NIGHTSTER, STREET ROD & BUILL

TOOLS & SHOP SUPPLIES

WARRANTY & COMPANY POLICY

APPENDIX



S&S cable operated Throttle Hog Throttle bodies are available for 2002-'17 Harley-Davidson® big twins using cable operated throttles. Choose from 58mm, for stock or mildly built engines, or the whopping 66mm Throttle Hog for big inch engines. More Air, More Power!

**FITMENT**

- 2002-'05 Harley-Davidson EFI big twins with cable controlled throttles
- S&S EFI Hot Set Up Kit® installations and T-Series Long Block engines with cable controlled throttles

**FEATURES & BENEFITS**

- More air flow for improved performance
- S&S Stealth air cleaners kit, with the proper bore sizes, are available
- Works with all air cleaner kits designed for throttle by wire engines with stock breather system
- One-piece design for easy installation and stock appearance
- Compatible with stock sensors, fuel rail, and throttle cables
- Black powder coat finish matches stock
- Sealed, stainless steel throttle shaft with dual roller bearings for smooth operation and no air leaks
- Kit includes hardened steel flanges and seals
- No stock throttle body exchange required!

THROTTLE HOG CABLE OPERATED THROTTLE BODIES FOR 2002-2005 BT					
Year	Size (mm)	Engine Fitment	Manifold Size	Part #	MSRP
2002-2005 bt	58	97", 98" & S&S T-Series Engines** (Engines produced after 2013)	410	<b>170-0337</b>	<b>\$885.95</b>
		S&S T-Series 111" Engines**	398	<b>170-0339</b>	<b>\$885.95</b>
		S&S 117" Hot Set Up Kits	408	<b>170-0340</b>	<b>\$887.95</b>
		S&S T-Series 124" Engines**	417	<b>170-0338</b>	<b>\$885.95</b>
	66	97", 98" & S&S T-Series Engines** (Engines produced after 2013)	410	<b>170-0342</b>	<b>\$885.95</b>
		S&S T-Series 111" Engines**	398	<b>170-0344</b>	<b>\$877.95</b>
		S&S 117" Hot Set Up Kits	408	<b>170-0343</b>	<b>\$887.95</b>
		S&S T-Series 124" Engines**	417	<b>170-0341</b>	<b>\$896.95</b>

*\*\*Some S&S heads have additional material on the manifold surface to allow the use of a stock length manifold (405) on a 124" engine. If you are not sure which manifold should be ordered, check fitment with the stock manifold first.*

Cylinder heads on T-Series long block engines are 1999-'05 style. Owners of 2006 models will need to purchase a set of 1999-'05 style, offset intake flanges such as S&S #106-3516.

NOT LEGAL FOR SALE OR USE IN CALIFORNIA ON ANY POLLUTION CONTROLLED MOTOR VEHICLE. NOT LEGAL FOR SALE OR USE NATIONWIDE ON ANY FEDERAL POLLUTION CONTROLLED MOTOR VEHICLE UNDER THE CLEAN AIR ACT

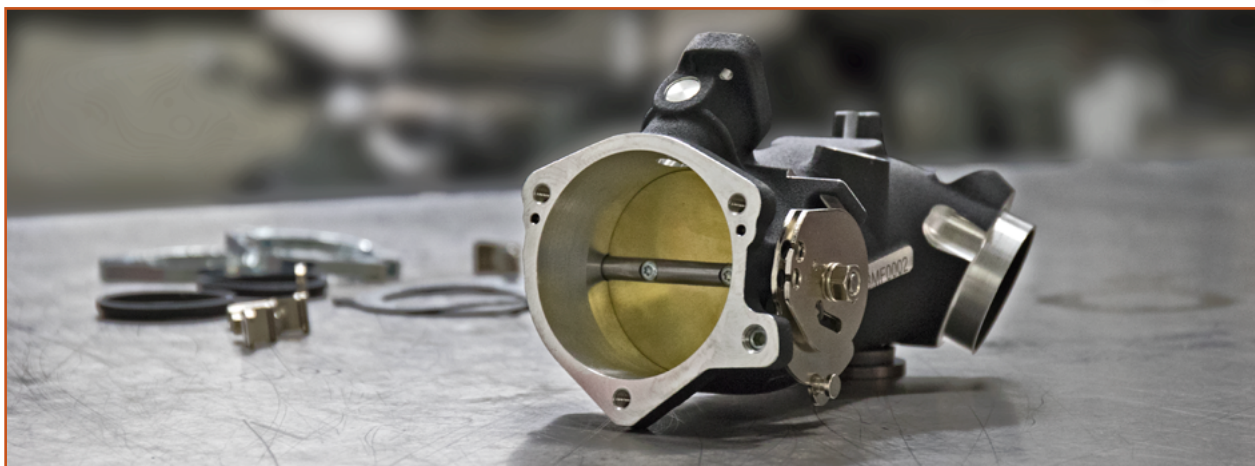
1999-'05  
TWIN CAM  
BT

INTAKE FLANGE		
Fitment	Part Number	MSRP
2001 Softail Models And 2002-'05 Big Twin Models	<b>160-0175</b>	<b>\$112.95</b>



**MAKE MORE POWER!**  
**S&S AIR CLEANER KITS**

184





**52MM:** Offering a 30% larger cross sectional area than stock throttle bodies, the S&S 52mm bore throttle body flows more than enough air for all but the most demanding street engines.

**58MM:** In response to constant requests for something bigger, S&S also offers a huge 58mm bore throttle body! Strictly for large displacement competition engines, this throttle body allows your engine to breathe easily and make more power!

**FITMENT**

- 1999–'16 big twins (except 2008–up touring models with electronic throttle control)

**FEATURES AND BENEFITS**

- Excellent performance
- Recommended tuning products:
  - S&S VFI
  - Cruise control compatible with no extra bracket

**KIT CONTENTS**

- Throttle body assembly, Fuel injectors, Fuel rail, Harness adaptors, All necessary hardware, gaskets, and hoses

**REPLACEMENT PARTS: 255**



106-4408

SINGLE BORE EFI THROTTLE BODY/FUEL RAIL KITS				
Fitment	52mm	MSRP	58mm	MSRP
2002–'05 EFI big twin & 2001 Softtail models	<b>17-5067</b>	<b>\$1,011.95</b>	<b>106-4407</b>	<b>\$938.95</b>
2006–'16 EFI big twin*	<b>17-5070</b>	<b>\$947.95</b>	<b>106-4408</b>	<b>\$947.95</b>

\*except 2008–up touring models with electronic throttle control.  
NOT LEGAL FOR SALE OR USE IN CALIFORNIA ON ANY POLLUTION CONTROLLED MOTOR VEHICLE. NOT LEGAL FOR SALE OR USE NATIONWIDE ON ANY FEDERAL POLLUTION CONTROLLED MOTOR VEHICLE UNDER THE CLEAN AIR ACT

If you plan to use another programmable fuel injection module, it is best to consult the manufacturer to be certain that it is compatible with the S&S single bore system and has enough tuning capability for your engine configuration.

Installation of S&S throttle body on 1995–'01 bikes requires S&S ECU. Single bore throttle bodies are not compatible with stock Magneti Marelli® ECU



Seeing is believing. It's easy to see the differences in the bore sizes of a stock Harley-Davidson® throttle body and the S&S® 52mm or 58mm throttle bodies. How big do you want to go?

**NEW & IMPROVED!**

**CABLE-OPERATED THROTTLE HOGS 226**

**MAKE MORE POWER!**

**S&S® STEALTH AIR CLEANERS 184**

**S&S AIR CLEANER KITS 187**

**Black Super E & G Carburetors**

**FEATURES AND BENEFITS**

- Exclusive black coating — heat and chemical resistant
- Offered in standard venturi or increased venturi diameter — specially machined for 7% more flow

**BLACK CARBURETORS FOR 1984–2005 BIG TWINS**

Fitment	Description	Part #	MSRP
Increased venturi diameter <i>(7% more flow)</i>	Super E Carb	<b>110-0099</b>	<b>\$514.95</b>
	Super G Carb	<b>110-0100</b>	<b>\$540.95</b>
Standard venturi diameter	Super E Carb	<b>110-0133</b>	<b>\$530.95</b>
	Super G Carb	<b>110-0138</b>	<b>\$530.95</b>

NOT LEGAL FOR SALE OR USE IN CALIFORNIA ON ANY POLLUTION CONTROLLED MOTOR VEHICLE. NOT LEGAL FOR SALE OR USE NATIONWIDE ON ANY FEDERAL POLLUTION CONTROLLED MOTOR VEHICLE UNDER THE CLEAN AIR ACT

**NOTE:**

These black carb kits do not include air cleaners. Air cleaner options are available: 184. Manifolds are required. 225.



M8  
2007-'17 TWIN CAM 96"/103"/110"  
1999-'06 TWIN CAM 88"  
SPORTSTER, STREET, NIGHTSTER, STREET ROD & BUJEL  
TOOLS & SHOP SUPPLIES  
WARRANTY & COMPANY POLICY  
APPENDIX



**FITMENT**

- 1999–'06 Twin Cam 88® engines
- S&S carbureted engines
- Custom v-twin applications

**FEATURES AND BENEFITS**

- Four fuel delivery ports — Better throttle response
- O-ring sealed idle mixture screw
- Increased air flow for more power
- Adjustable accelerator pump for quick throttle response and easy starting
- Utilization of the factory dual cable system ensures safe operation
- Direct replacement and high quality fit and finish — less down time and better performance
- Variable position enrichment starting system

**KIT CONTENTS**

- Super E or G carburetor
- S&S intake manifold
- Classic Teardrop air cleaner kit
- Mounting hardware
- Gaskets, seals and hoses
- Instructions



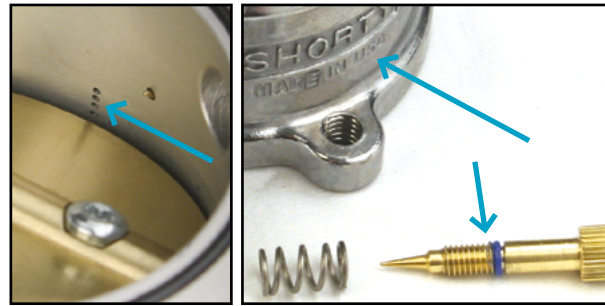
11-0450

1999-'06  
TWIN CAM  
88

SUPER E & G COMPLETE CARBURETOR KITS				
Fitment	Super E	MSRP	Super G	MSRP
1999–'05 big twin	11-0450	\$782.95	11-0451	\$829.95
2006 big twin	106-0874	\$775.95	106-0875	\$805.95

SUPER E & G CARBURETOR ONLY				
Fitment	Super E	MSRP	Super G	MSRP
All Years & Models	11-0420	\$458.95	11-0421	\$499.95

NOT LEGAL FOR SALE OR USE IN CALIFORNIA ON ANY POLLUTION CONTROLLED MOTOR VEHICLE. NOT LEGAL FOR SALE OR USE NATIONWIDE ON ANY FEDERAL POLLUTION CONTROLLED MOTOR VEHICLE UNDER THE CLEAN AIR ACT



As the throttle plate opens, it exposes more of these holes to engine vacuum and delivers more fuel as rpm increases. This o-ring around the idle mixture screw not only eliminates potential air leaks, but helps keep the screw from vibrating out of adjustment. "Made in USA" cast into carb body identifies this as a new style carb.

**NOTE:**

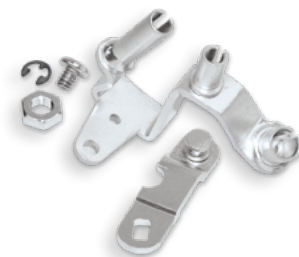
S&S® does not recommend polishing or chrome plating Super E & G carbs. Our repair department has seen many carbs with plugged passages due to polishing compounds, and some carbs that have been destroyed because the polishing or chrome plating had altered critical machined surfaces.

Recommended for closed circuit use only—S&S Super E & G carbs shown are not approved for use on motor vehicles operated on California public highways, or in other states where similar pollution laws may apply. The user shall determine the suitability of the product for his or her use and shall assume all risk and liability in connection therewith.

**OPTION**

Optional cruise control adapter kits allows riders to keep factory cruise feature on 1998–'06 models

CRUISE CONTROL ADAPTER KIT		
Fitment	Part #	MSRP
1998–'06 bt	11-2927	\$112.95



REPLACEMENT PARTS: 258



The S&S two cable throttle assemblies are high quality “pull open – pull close” type throttles designed for use on any two cable carburetor installations on bikes with 1” O.D. handlebars. A special soft plastic material used to mold the grips makes them look and feel exactly like stock grips. There are four different assemblies available to make installation on most chassis easy.

**TWO CABLE THROTTLE REQUIRED**

S&S Super E and G carburetors require the use of a two cable, pull open–pull closed throttle assembly. Any chassis including 1980 and earlier stock models equipped with a single cable throttle mechanism requires conversion to a two cable, pull open–pull closed type. S&S offers high quality two cable throttle assemblies for this purpose. Stock big twin models from 1981 to present have a two cable throttle and should not require changing. Super E and G Carb kits for 1990 and later models come with the new longer throttle cable guide bracket which allows the use of the stock CV style throttle cables.



19-0440

**NOTE:**

The chart on this page is used only when using throttle cable bracket part #11-2339. This bracket is standard on all S&S Super E & G carburetor kits for big twins 1989 and earlier and all kits for Harley-Davidson® Sportster® models with the exception of the kit for 2004-'05 models. Carburetor kits for 1990 and later big twin models come with the longer cable bracket part #11-2338 for use with stock CV throttle cables. Super E and G carburetors ordered for big twin models 1981 and later are being shipped with the correct throttle cable bracket to fit the stock cables. Big twin carbs that are not year specific will be shipped with both cable brackets. All Sportster models 1988-'03 will still require conversion to butterfly style cables.

THROTTLE CABLE APPLICATION CHART							
Application	Fastening Method	Length Total Housing	Length Vinyl Housing	Open Side	MSRP	Close Side	MSRP
1996–Up Softail® (FXSTS, FXSTC, FLSTC, FLSTF) 1996–Up Dyna® models	Snap-in	39"	35"	<b>19-0438</b>	<b>\$81.95</b>	<b>19-0439</b>	<b>\$81.95</b>
1996–Up All FLT models	Snap-in	48"	44"	<b>19-0464</b>	<b>\$81.95</b>	<b>19-0465</b>	<b>\$81.95</b>
1996–Up custom application	Snap-in	42"	38"	<b>19-0440</b>	<b>\$81.95</b>	<b>19-0441</b>	<b>\$81.95</b>

\*1998 and later required Harley-Davidson® throttle assembly #71831-96

\*\*1980 and earlier must be converted to dual cable throttle assembly.

REPLACEMENT PARTS		
Description	Part #	MSRP
S&S Universal Throttle Clamp	<b>106-3520</b>	<b>\$50.95</b>
Throttle Grip Clamp Set 1985–'95	<b>106-3519</b>	<b>\$50.95</b>
Top Throttle Grip Clamp only	<b>19-0222</b>	<b>\$22.95</b>
Bottom Throttle Grip Clamp only	<b>19-0220</b>	<b>\$22.95</b>
Throttle Grip Clamp Screw <i>(Fits S&amp;S throttle assemblies: Part #19-0448, #19-0449, #19-0482, #19-0450, #19-0229)</i>	<b>50-0043</b>	<b>\$6.95</b>
Throttle Grip Set	<b>106-3521</b>	<b>\$81.95</b>
Right Hand Grip only	<b>19-0225</b>	<b>\$50.95</b>
Left Hand Grip only	<b>19-0226</b>	<b>\$40.95</b>
Cable Adjuster <i>(Fits S&amp;S throttle assembly part #19-0229)</i>	<b>19-0223</b>	<b>\$9.95</b>
Cable Adjuster Jam Nut <i>(Fits S&amp;S throttle assembly part #19-0229)</i>	<b>19-0227</b>	<b>\$4.95</b>
Handlebar Spacing Sleeve 4" x 1" O.D.—converts 7/8" handlebars to 1" O.D.	<b>19-0235</b>	<b>\$24.95</b>



MB

2007-'17  
TWIN CAM  
96"/103"/110"

1999-'06  
TWIN CAM  
88"

SPORTSTER, STREET,  
NIGHTSTER, STREET ROD  
& BUILL

TOOLS &  
SHOP  
SUPPLIES

WARRANTY &  
COMPANY  
POLICY

APPENDIX



for S&S Super E & G Carburetors

For those who need to rejet their carburetor because of engine modifications, exhaust modifications, or changes in altitude, we have extra jet kits available which are designed to cover most jetting situations.



11-3102

**DEALER JET KITS**

Description	Part #
S&S Jet Kit (Includes 3 each of all intermediate jets and 5 each of all main jets, plus a main jet tool)	11-3102

WARNING: Cancer and Reproductive Harm – www.P65Warnings.ca.gov

**JET PACKS**

Description	Part #	MSRP
<b>Low Range Jet Pack – For jetting most stock and moderate performance engines.</b> <i>Includes one each intermediate jets (.025", .0265", .028", .0295") one each main jets (.062", .064", .066", .068", .070", .072", .074").</i>	11-7270	\$71.95
<b>High Range Jet Pack – For jetting some stock and all performance engines.</b> <i>Includes one each intermediate jets (.0295", .031", .032", .033") and one each main jets (.072", .074", .076", .078", .080", .082", .084").</i>	11-7271	\$71.95
<b>Master Jet Pack – For jetting all Super B, E, and G equipped engines.</b> <i>Includes one each intermediate jets (.025", .0265", .028", .0295", .031", .032", .033") and one each main jets (.062", .064", .066", .068", .070", .072", .074", .076", .078", .080", .082", .084").</i>	11-7272	\$112.95

WARNING: Cancer and Reproductive Harm – www.P65Warnings.ca.gov



11-7272



106-3517

**INTERMEDIATE JETS - SERIES #94 INDIVIDUAL SELECTION**

Size	QTY	Part #	MSRP	Size	QTY	Part #	MSRP
.025	each	11-0250	\$15.95	.032	each	11-0320	\$15.95
	3 pack	11-7107	\$40.95		3 pack	11-7112	\$40.95
.0265	each	11-0265	\$15.95	.033	each	11-0330	\$15.95
	3 pack	11-7108	\$40.95		3 pack	11-7113	\$40.95
.028	each	11-0280	\$15.95	.036	each	11-0360	\$15.95
	3 pack	11-7109	\$40.95		3 pack	11-7114	\$40.95
.0295	each	11-0295	\$15.95	.040	each	11-0400	\$15.95
	3 pack	11-7110	\$40.95		3 pack	11-7115	\$40.95
.031	each	11-0310	\$15.95	Blank	each	11-0000	\$11.95
	3 pack	11-7111	\$40.95				

WARNING: Cancer and Reproductive Harm – www.P65Warnings.ca.gov

Early Series #94 gas jets were stamped with single digit numbers. Conversions for these numbers are:

- |            |            |
|------------|------------|
| 1.....025" | 4.....033" |
| 2.....028" | 5.....036" |
| 3.....031" | 6.....040" |

**NOTE:**

No returns or exchanges on jets.

1999-06  
TWIN CAM  
BB



MAIN JETS - SERIES #72 INDIVIDUAL SIZE SELECTION							
Size	QTY	Part #	MSRP	Size	QTY	Part #	MSRP
.040	each	11-4040	\$14.95	.076	each	11-4076	\$14.95
	5 pack	11-7220	\$50.95		5 pack	11-7238	\$50.95
.042	each	11-4042	\$14.95	.078	each	11-4078	\$14.95
	5 pack	11-7221	\$50.95		5 pack	11-7239	\$50.95
.044	each	11-4044	\$14.95	.080	each	11-4080	\$14.95
	5 pack	11-7222	\$50.95		5 pack	11-7240	\$50.95
.046	each	11-4046	\$13.95	.082	each	11-4082	\$14.95
	5 pack	11-7223	\$50.95		5 pack	11-7241	\$50.95
.048	each	11-4048	\$14.95	.084	each	11-4084	\$14.95
	5 pack	11-7224	\$50.95		5 pack	11-7242	\$50.95
.050	each	11-4050	\$14.95	.086	each	11-4086	\$14.95
	5 pack	11-7225	\$50.95		5 pack	11-7243	\$50.95
.052	each	11-4052	\$14.95	.088	each	11-4088	\$14.95
	5 pack	11-7226	\$50.95		5 pack	11-7244	\$50.95
.054	each	11-4054	\$14.95	.090	each	11-4090	\$13.95
	5 pack	11-7227	\$50.95		5 pack	11-7245	\$49.95
.056	each	11-4056	\$14.95	.092	each	11-4092	\$15.95
	5 pack	11-7228	\$50.95		5 pack	11-7246	\$50.95
.058	each	11-4058	\$14.95	.094	each	11-4094	\$15.95
	5 pack	11-7229	\$50.95		5 pack	11-7247	\$50.95
.060	each	11-4060	\$14.95	.096	each	11-4096	\$14.95
	5 pack	11-7230	\$50.95		5 pack	11-7248	\$50.95
.062	each	11-4062	\$14.95	.098	each	11-4098	\$14.95
	5 pack	11-7231	\$50.95		5 pack	11-7249	\$50.95
.064	each	11-4064	\$14.95	.100	each	11-4100	\$14.95
	5 pack	11-7232	\$50.95		5 pack	11-7250	\$50.95
.066	each	11-4066	\$14.95	.102	each	11-4102	\$14.95
	5 pack	11-7233	\$50.95		5 pack	11-7251	\$50.95
.068	each	11-4068	\$14.95	.104	each	11-4104	\$14.95
	5 pack	11-7234	\$50.95		5 pack	11-7252	\$50.95
.070	each	11-4070	\$14.95	.106	each	11-4106	\$14.95
	5 pack	11-7235	\$50.95		5 pack	11-7253	\$50.95
.072	each	11-4072	\$14.95	.110	each	11-4110	\$15.95
	5 pack	11-7236	\$50.95		5 pack	11-7255	\$50.95
.074	each	11-4074	\$14.95	.115	each	11-4115	\$14.95
	5 pack	11-7237	\$50.95		5 pack	11-7256	\$50.95
.076	each	11-4076	\$14.95	.120	each	11-4120	\$14.95
	5 pack	11-7238	\$50.95		5 pack	11-7257	\$50.95

⚠ WARNING: Cancer and Reproductive Harm – www.P65Warnings.ca.gov

MAIN JET AIR BLEED KIT (One Jet Each Size)		
Sizes	Part #	MSRP
.042" - .060"	106-3517	\$90.95
.084" - .120"	106-3518	\$73.95

⚠ WARNING: Cancer and Reproductive Harm – www.P65Warnings.ca.gov

### S&S® CARBURETOR REBUILD KITS

To insure that you continue to get the utmost in performance from your S&S carburetor, we have put together a series of rebuild kits that are designed to provide the proper parts to return a worn carburetor to top shape. We have assembled different types of kits to cover the different degrees of rebuild necessary.

#### MASTER REBUILD KITS

Master rebuild kits contain a body rebuild kit, accelerator pump rebuild kit (Super E and G only), all new fasteners, springs, idle mixture screw, seat, and needle assembly. Everything needed to completely rebuild one carburetor.

MASTER REBUILD KIT		
Description	Part #	MSRP
Super E	11-2923	\$112.95
Super G	11-2924	\$112.95

⚠ WARNING: Cancer and Reproductive Harm – www.P65Warnings.ca.gov



#### BODY REBUILD KITS

Body rebuild kits for Super E and G carbs also contain throttle shaft nuts, nylon washers, accelerator pump o-ring, and accelerator pump boot. Body rebuild kits for Super E and G carbs do not contain throttle shaft bushings since these carbs have stainless steel throttle shaft bushings already installed.

BODY REBUILD KIT		
Description	Part #	MSRP
Super E	11-2906	\$61.95
Super G	11-2907	\$61.95

⚠ WARNING: Cancer and Reproductive Harm – www.P65Warnings.ca.gov

#### BASIC REBUILD KIT

A gasket and seal kit for low mileage Super E & G carbs. Perfect to reassemble carbs taken apart for inspection and cleaning.



BASIC REBUILD KIT		
Description	Part #	MSRP
Super E & G	110-0067	\$50.95

⚠ WARNING: Cancer and Reproductive Harm – www.P65Warnings.ca.gov

#### ACCELERATOR PUMP REBUILD KITS

Accelerator pump rebuild kits contain diaphragm, diaphragm spring, check balls, check ball spring, pump pushrod, and required hardware and o-rings.

ACCELERATOR PUMP REBUILD KIT		
Description	Part #	MSRP
Super E & G	11-2918	\$28.95



MB

2007-'17  
TWIN CAM  
96"/103"/110"

1999-'06  
TWIN CAM  
88"

SPORTSTER, STREET,  
NIGHTSTER, STREET ROD  
& BUILL

TOOLS &  
SHOP  
SUPPLIES

WARRANTY &  
COMPANY  
POLICY

APPENDIX

For Custom Bikes and Racing Applications

**FITMENT**

- Custom and racing v-twin applications using Delphi® style EFI module
- Easy replacement for engine sub harness on 2002 through 2005 FL models
- 1995-'05 big twins – Useful for carb to Delphi EFI and Magneti Marelli® to Delphi EFI conversions
- Great for S&S X-Wedge® engines

**FEATURES AND BENEFITS**

- Simple electrical hook up of all connections required to operate engines with Delphi® style EFI
- All cables are terminated with the correct factory crimped connectors
- Works the S&S, stock and most 36 pin aftermarket Delphi style EFI modules
- Compatible with S&S throttle bodies, as well as stock and most aftermarket throttle bodies
- Replaces stock engine sub-harness in 2002-'05 FL models, simplifies carb to EFI conversions



UNIVERSAL WIRING HARNESS		
Description	Part #	
For Custom and Racing Applications	550-0264	\$1,532.95

1999-'06 TWIN CAM BB

Compression Releases

**FITMENT**

- S&S cylinder heads for big twin

**OPTIONS**

**MANUAL RELEASE:**

Activated by a cable similar to a choke control, this slick system can be used with any style rocker cover.

**ELECTRIC RELEASE:**

Solenoid operated, this system automatically opens and closes when the starter button is pressed and released. Convenient and simple, this is the best setup for big displacement high compression bikes. Requires S&S die cast rocker covers.



90-4915

COMPRESSION RELEASE KITS		
Description	Part #	
Electric	90-4915	\$448.95

TOOLS AND ACCESSORIES		
Description	Part #	
S&S Two-Piece Socket Kit: <i>Allows in-frame installation of S&amp;S compression releases and protects wiring from damage during installation.</i>	53-0045	\$178.95
S&S Compression Release Hole Plug	90-4916	\$24.95

REPLACEMENT PARTS		
Description	Part #	
Silicone Solenoid Caps	55-1009	\$9.95
Wiring Harness	55-1010	\$141.95
Electric Compression Release Assembly	90-4914	\$193.95



55-1009

53-0045

90-4916

**NOTE:**

S&S rocker covers must be used with electric compression releases due to clearance requirements for the solenoids.

Rocker covers must be removed when installing S&S® compression releases. If lack of frame clearance prevents removal of rocker covers, engine must be removed from frame for compression release installation.

In most cases, S&S compression releases can be installed while the engine is in the frame with the special S&S two-piece socket kit, part #53-0045 .

If cylinder heads are machined for S&S compression releases, but compression releases are not used, special plug part #90-4916 (two required) must be installed to seal the machined hole.

Stock cylinder heads cannot be machined for S&S compression releases because there is not enough material in critical areas.





**FEATURES AND BENEFITS**

- Directly replaces stock Harley-Davidson® fuel injection modules – plugs directly into stock wiring harness
- Includes ProTune II software and can be updated at [sscycle.com/tech-info/software/protune-ii](http://sscycle.com/tech-info/software/protune-ii)
- Three stage engine overheat protection helps prevent possible engine damage caused by improper modifications to fuel maps
- Altitude compensation automatically adjusts for altitude variations
- Live tuning allows manual changes to maps while the engine is running
- Self diagnostics and actuator test functions help tuning and verify proper installation/operation
- Engine light can be programmed to function as a shift light
- Closed loop capable
- Knock sensing ignition control (*USB Delphi® style unit only*)
- Optional closed loop sensor kit extend module capabilities
- Speedometer calibration function for 2004-up Harley-Davidson® models (*does not require installation of separate speedometer calibrator*)

**NOTE:**

All current production S&S modules are closed loop compatible, and all older S&S modules can be updated with current calibration by simply downloading software from the S&S website at [sscycle.com/tech-info/software/protune-ii](http://sscycle.com/tech-info/software/protune-ii)

Please note that maps created for older versions of the VFI software are not compatible with the new closed loop software, however they can be converted to closed loop if desired.

S&S VFI systems installed on 2004-up Harley-Davidson® models incorporate a speedometer calibration feature.

**CLOSED LOOP CAPABILITY**

When equipped with a dual closed loop sensor kit and running in closed loop mode, VFI tuning becomes a breeze! S&S supplies base maps for several displacement groups, creating a starting point to get bikes up and running. Utilizing dual oxygen sensors (*sold separately*) placed in the exhaust, the S&S closed loop system modifies the base fuel map to meet the specific requirements of your engine!

- Automatic tuning on the street or on the dyno
- Each cylinder is tuned individually
- Fuel map changes are saved in the module and can be merged with the pre-loaded base map
- Works with stock oxygen sensors used on late model Harley-Davidson® motorcycles

Closed loop VFI can also automatically compensate fuel delivery for modifications creating up to a 20 hp gain, such as changes in:

- Displacement
- Cams
- Exhaust
- Head porting or installation of aftermarket heads

**DELPHI® STYLE S&S VFI MODULE**

**FITMENT**

- Delphi® ECU equipped big twins

**KIT CONTENTS**

- Delphi® style S&S VFI module
- ProTune II software
- USB port cover kit (part #55-5090 only)
- Installation instructions



55-5090

DELPHI® STYLE S&S VFI MODULE		
Fitment/Description	Part #	
VFI Module for 2001–'11 bt ( <i>except 2008-up touring and 2011 Softail®</i> )	55-5090*	\$1,109.95
*Special Order: Download the special order form at <a href="https://www.sscycle.com/dealer-center/special-order-forms">https://www.sscycle.com/dealer-center/special-order-forms</a>		
NOT LEGAL FOR SALE OR USE IN CALIFORNIA ON ANY POLLUTION CONTROLLED MOTOR VEHICLE. NOT LEGAL FOR SALE OR USE NATIONWIDE ON ANY FEDERAL POLLUTION CONTROLLED MOTOR VEHICLE UNDER THE CLEAN AIR ACT		

**NOTE:**

Due to the extreme range of control offered by the S&S VFI modules, we recommend that they be installed and tuned by S&S Certified VFI Tuning Centers. Check [www.sscycle.com](http://www.sscycle.com) to find a tuning center near you.

MB

2007-'17  
TWIN CAM  
96"/103"/110"

1999-'06  
TWIN CAM  
88"

SPORTSTER, STREET,  
NIGHTSTER, STREET ROD  
& BUJELL

TOOLS &  
SHOP  
SUPPLIES

WARRANTY &  
COMPANY  
POLICY

APPENDIX



106-2066



55-5091

REPLACEMENT PARTS FOR S&S® VFI MODULES

Description	Part #	MSRP
Service Kit, O <sub>2</sub> Sensor	106-2061	\$152.95
Service Kit, Oxygen Sensor Boss	55-6071-S	\$24.95
Service Kit, Subharness Delphi® Style	55-1595	\$183.95
Hardware Kit (USB Cover) (for 550-0001 & 55-5090 modules)	55-5091	\$15.95

High output Coils



55-1571



55-1576

HIGH OUTPUT COILS

S&S High Output 3.0Ω Single Fire Coil	55-1571	\$193.95
<i>The perfect complement for S&amp;S IST ignition systems. This single fire coil is actually two separate coils in a single package. Coil impedance is 3Ω per coil.</i>		
S&S High Output 0.5Ω Single Fire Coil	55-1576	\$173.95
High output 0.5Ω single fire coil for S&S IST ignition.		

Inner Primary Bearing Race

**FITMENT**

- All 1991-'06 big twins (except '06 Dyna®)

**FEATURES AND BENEFITS**

- Will not "walk" on transmission mainshaft
- Simple to install
- Prevents costly damage to mainshaft seal, output gear & output gear bearing



INNER PRIMARY BEARING RACE

Fitment	Part #	MSRP
All 1991-'06 big twins (except '06 Dyna®)	56-5089	\$81.95

1999-'06  
TWIN CAM  
BB

The VP clutch is the most cost effective kit for upgrading your HD® stock clutch without any modifications. Up to 40% more pressure for stronger clutch engagement.

**FEATURES AND BENEFITS**

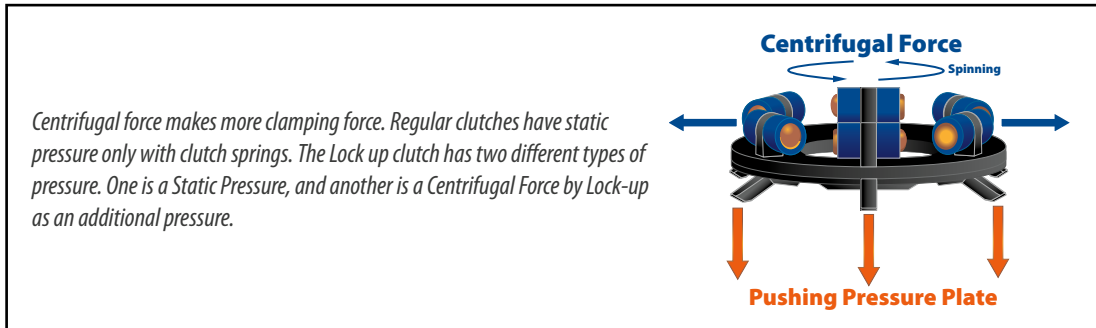
- Works like a lock up clutch
- Increased torque capacity: strength of engagement increases with RPM
- 10 minute installation
- Fits behind a stock derby cover and primary cove—No modification required
- Can be used with cable and hydraulic clutch controls

Does not fit: 2013 and later CVO™ and Tri Glide®, 2015 and later Ultra Limited Low and Electra Glide Classic Low Models with new HD® Assist and Slipper Clutch: 3 Stud Clutch Hub

Non-stock derby cover (including any special or 2003 anniversary cover) and 3 hole derby covers may require a derby



560-0242



**VARIABLE PRESSURE CLUTCH**

Description	Part #	MSRP
1998–up big twins with 6 Stud Clutch Hub	560-0242	\$493.95

**Heavy Duty Diaphragm Spring**

**FITMENT**

- 1998–up big twin models

**FEATURES AND BENEFITS**

- 380 lbs pressure, 25% stronger than stock
- Same pressure as Screamin' Eagle® heavy-duty spring
- Compatible with S&S VP and stock clutches



560-0244

**HEAVY DUTY DIAPHRAGM SPRING**

Description	Part #	MSRP
1998–up big twins	560-0244	\$51.95

MB

2007-'17  
TWIN CAM  
96"/103"/110"

1999-'06  
TWIN CAM  
88"

SPORTSTER, STREET,  
NIGHTSTER, STREET ROD  
& BUJELL

TOOLS &  
SHOP  
SUPPLIES

WARRANTY &  
COMPANY  
POLICY

APPENDIX



S&S final drive belts by Gates are available with 14mm pitch in 1½" and 1⅞" widths. See the chart and match the width and number of teeth required for your vehicle. You can find this information in the vehicle service manual.



1999-06  
TWIN CAM  
88

SECONDARY DRIVE BELTS (14MM PITCH)				
Teeth	1⅞" Wide		1½" Wide	
125	106-0357	\$284.95	-	-
126	-	-	106-0348	\$287.95
127	-	-	106-0349	\$292.95
128	106-0358	\$284.95	106-0350	\$287.95
130	106-0359	\$284.95	106-0351	\$292.95
132	106-0360	\$284.95	106-0352	\$292.95
133	106-0361	\$284.95	106-0353	\$292.95
135	106-0362	\$287.95	106-0354	\$292.95
136	-	-	106-0355	\$308.95
139	106-0363	\$287.95	106-0356	\$303.95
149	106-1338	\$298.95	-	-



**REBUILD GASKET KITS**

**FOR S&S® T-SERIES 1999-UP ENGINES AND HOT SET UP KIT®**

1999-'06, 4 1/8", S&S base bolt pattern	<b>106-0976</b>	<b>\$214.95</b>
1999-'15, 4 1/8", Stock base bolt pattern	<b>310-0335</b>	<b>\$278.95</b>
1999-up T143 4.425" bore	<b>310-0751</b>	<b>\$325.95</b>

**TOP END GASKET KIT FOR TWIN CAM 88° AND S&S ENGINES**

3 7/8" Stock Bolt Pattern	<b>90-9504</b>	<b>\$133.95</b>
4 3/8"	<b>90-9511</b>	<b>\$163.95</b>
4 1/8" S&S® bolt pattern	<b>90-9506</b>	<b>\$112.95</b>
4 1/8" Stock Cases	<b>90-9510</b>	<b>\$175.95</b>
4"	<b>90-9505</b>	<b>\$102.95</b>

**CYLINDER HEAD GASKET KITS T-SERIES 1999-UP**

4 3/8" bore	<b>900-0800</b>	<b>\$132.95</b>
4 1/8" S&S® bolt pattern	<b>90-1910</b>	<b>\$73.95</b>
4 1/8" Stock bolt pattern	<b>90-1914</b>	<b>\$142.95</b>
4" Stock bolt pattern, Twin-Cooled™	<b>930-0116*</b>	<b>\$101.95</b>
3 7/8" & 3.927" Stock bolt pattern, including Twin-Cooled	<b>910-0465*</b>	<b>\$102.95</b>

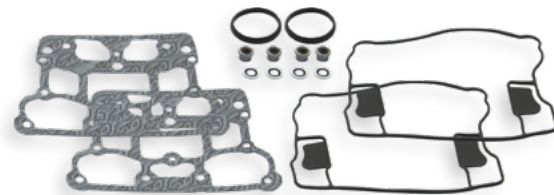
\*NOT LEGAL FOR SALE OR USE IN CALIFORNIA ON ANY POLLUTION CONTROLLED MOTOR VEHICLE. NOT LEGAL FOR SALE OR USE NATIONWIDE ON ANY FEDERAL POLLUTION CONTROLLED MOTOR VEHICLE UNDER THE CLEAN AIR ACT

**HEAD GASKETS T-SERIES 1999-UP**

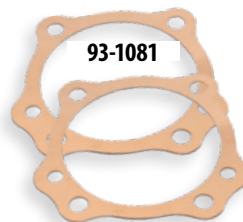
Bore Size	Thickness	Description	QTY	Part #	MSRP
4 7/16"	.045"	Layered Steel	2 pack	<b>900-0762</b>	<b>\$81.95</b>
4 3/8"	.045"	Copper	2 pack	<b>93-1081</b>	<b>\$132.95</b>
4 1/8"	.043"	Graphite	each	<b>93-1047-S</b>	<b>\$17.95</b>
			10 pack	<b>93-1073</b>	<b>\$152.95</b>
4 1/8" Stock Bolt Pattern	.043"	Layered Steel	each	<b>93-1091-S</b>	<b>\$40.95</b>
			2 pack	<b>930-0102</b>	<b>\$82.95</b>
4 1/8" Stock Bolt Pattern	.030	Layered Steel	2 pack	<b>900-0217</b>	<b>\$91.95</b>
4"	.043"	Graphite	each	<b>93-1043-S</b>	<b>\$19.95</b>
4" Stock Bolt Pattern	0.45"	Layered Steel	2 pack	<b>900-0822</b>	<b>\$91.95</b>
4" Stock Bolt Pattern	.030"	Layered Steel	2 pack	<b>900-0821*</b>	<b>\$91.95</b>
4" Stock Bolt Pattern w/Twin Cooled™ Heads	0.40"	Layered Steel	each	<b>930-0115</b>	<b>\$50.95</b>
3 7/8" & 3.937"	.045"	Layered Steel	2 pack	<b>900-0862</b>	<b>\$91.95</b>

\*NOT LEGAL FOR SALE OR USE IN CALIFORNIA ON ANY POLLUTION CONTROLLED MOTOR VEHICLE. NOT LEGAL FOR SALE OR USE NATIONWIDE ON ANY FEDERAL POLLUTION CONTROLLED MOTOR VEHICLE UNDER THE CLEAN AIR ACT

**BASE GASKETS AND O-RINGS T-SERIES 1999-UP**



106-0976



93-1081



93-1082

900-0862



50-8049

4"	.018"	Graphite	each	<b>93-1050-S</b>	<b>\$10.95</b>
4 1/8" S&S® Bolt Pattern	.018"	Graphite	each	<b>93-1048-S</b>	<b>\$11.95</b>
			2 pack	<b>930-0099</b>	<b>\$16.95</b>
4 3/8"	.018"	Micropore	10 pack	<b>93-1074</b>	<b>\$71.95</b>
			2 pack	<b>93-1082</b>	<b>\$19.95</b>
4 1/8" Stock Bolt Pattern	.018"	Micropore	each	<b>93-1092-S</b>	<b>\$15.95</b>
			2 pack	<b>930-0101</b>	<b>\$24.95</b>
			10 pack	<b>93-1921</b>	<b>\$101.95</b>
4.425"	.018"	Micropore	2 pack	<b>900-0783</b>	<b>\$29.95</b>
4"	.103"	Viton O-ring	each	<b>50-8049</b>	<b>\$11.95</b>



106-5029



106-5688



900-0338

MB

2007-'17  
TWIN CAM  
96"/103"/110"

1999-'06  
TWIN CAM  
88"

SPORTSTER, STREET,  
NIGHTSTER, STREET ROD  
& BUJEL

TOOLS &  
SHOP  
SUPPLIES

WARRANTY &  
COMPANY  
POLICY

APPENDIX



3¾", 3⅞", 3.927"	.103"	Viton O-ring	each	<b>50-8048</b> 11256	\$9.95
---------------------	-------	-----------------	------	-------------------------	--------

Gasket,Rocker Cover,Steel, 1999-up bt	each	<b>90-4096-S</b>	<b>\$17.95</b>
Gasket,Rocker Cover,w/Stock Rocker Box, 1999-up bt	each	<b>90-4124</b>	<b>\$21.95</b>
	2 pack	<b>90-4120</b>	<b>\$40.95</b>
Filter, Breather  63815-99	each	<b>900-0496</b>	<b>\$7.95</b>

EXHAUST GASKETS					
1984-up big twins	each	<b>106-5029</b>	<b>\$7.95</b>		
65324-83B, 65324-83A	10 pack	<b>93-1072</b>	<b>\$71.95</b>		

LOWER END GASKETS AND SEALS			
For S&S Heads/Stock boxes	each	<b>90-4124</b>	<b>\$21.95</b>
	2 pack	<b>90-4120</b>	<b>\$40.95</b>
Gear Cover gasket 25244-99A	each	<b>31-2032-S</b>	<b>\$12.95</b>
Tappet Cover gasket 18635-99B	each	<b>33-5303-S</b>	<b>\$8.95</b>
	2 pack	<b>33-5303-2</b>	<b>\$11.95</b>

VALVE GUIDE SEALS			
S&S® Heads with Powdered Metal Valve Guide	4 pack	<b>900-0737</b>	<b>\$14.95</b>
Valve Stem Oil Seal, Hat Style 18094-02	each	<b>900-0590</b>	<b>\$12.95</b>
Valve, Umbrella 26858-99	each	<b>900-0495</b>	<b>\$8.95</b>
For 1984-'02 big twin stock heads & S&S® prior to Jan. 2014	each	<b>900-0338</b>	<b>\$7.95</b>
	8 pack	<b>90-2158</b>	<b>\$23.95</b>
CNC Heads (2005-up bt)		<b>106-5688</b>	<b>\$8.95</b>

**PUSHROD O-RINGS**

O-ring,Kit,Pushrod Cover,1984-'99 bt		<b>93-4022</b>	<b>\$12.95</b>
Top O-ring 11293, 11157, 11101, 11190	each	<b>50-8039</b>	<b>\$6.95</b>
Middle O-ring 11132A	each	<b>50-8038</b>	<b>\$6.95</b>
Bottom O-ring 11145A	each	<b>50-8037</b>	<b>\$6.95</b>
Sprocket Shaft seal 12068		<b>31-4035</b>	<b>\$20.95</b>
S&S Oil pump seal kit		<b>31-2097</b>	<b>\$31.95</b>
Oil Pump Scavenge o-ring 11293, 11157, 11101, 11190	each	<b>50-8039</b>	<b>\$6.95</b>
Case alignment dowel o-ring 26432-76A	each	<b>50-8034-S</b>	<b>\$9.95</b>
	2 pack	<b>50-8034</b>	<b>\$14.95</b>
Oil jet o-ring	each	<b>50-8270</b>	<b>\$6.95</b>
	5 pack	<b>50-8275</b>	<b>\$9.95</b>
Cam plate and oil line plate o-ring 11301	each	<b>50-8066-S</b>	<b>\$4.95</b>
O-Ring dowel kit		<b>500-0385</b>	<b>\$50.95</b>
O-Ring		<b>50-8138-S</b>	<b>\$6.95</b>

**ROCKER BOX GASKET KITS AND INDIVIDUAL GASKETS**

**S&S BILLET (OBSOLETE)**

Gasket Kit		<b>90-4073</b>	<b>\$61.95</b>
O-ring, (-114), .625" ID x .812" OD, Black, Viton® 11270		<b>50-8033</b>	<b>\$6.95</b>
O-ring,(-268),9.483" ID x		<b>50-8050</b>	
Gasket, Breather Cover, Stock Pattern,1999-'10 17591-99, 17162-03, 17592-99		<b>90-4077</b>	<b>\$9.95</b>
Gasket, Breather Baffle, Stock Pattern, 1999-'10 17162-03, 17592-99		<b>90-4078</b>	<b>\$7.95</b>
Gasket, bottom rocker cover, 4⅞" 1984-up	each	<b>90-4071-S</b>	<b>\$12.95</b>
	2 pack	<b>90-4071</b>	<b>\$20.95</b>
	10 pack	<b>90-4099</b>	<b>\$91.95</b>

**DIE CAST ROCKER BOXES**

Gasket set - rocker cover, cast		<b>90-4111</b>	<b>\$71.95</b>
O-ring,(-223),1.625" ID x 1.875" OD,Vito		<b>50-8044</b>	<b>\$6.95</b>
Gasket, bottom rocker cover, 4⅞", 1984-up	each	<b>90-4071-S</b>	<b>\$12.95</b>
	2 pack	<b>90-4071</b>	<b>\$20.95</b>
	10 pack	<b>90-4099</b>	<b>\$91.95</b>
Gasket,Rckr Cvr,S&S® DieC,O-ring,1984-up		<b>90-4079</b>	<b>\$19.95</b>

**STOCK ROCKER BOXES**

Gasket kit for 1999-'06 bt (use w/S&S heads)		<b>90-4097</b>	<b>\$144.95</b>
Gasket kit for 1999-'06 bt (use w/Stock heads)		<b>900-0534</b>	<b>\$101.95</b>
O-ring, (-114), .625" ID x .812" OD, Black, Viton® 11270		<b>50-8033</b>	<b>\$6.95</b>
Gasket, bottom rocker cover, 4⅞", 1984-up	each	<b>90-4071-S</b>	<b>\$12.95</b>
	2 pack	<b>90-4071</b>	<b>\$20.95</b>
	10 pack	<b>90-4099</b>	<b>\$91.95</b>
Gasket,Breather Cover,Stock Pattern, 1999-'10 17591-99, 17162-03, 17592-99		<b>90-4077</b>	-
Gasket,Breather Baffle,Stock Pattern, 1999-'10 17162-03, 17592-99		<b>90-4078</b>	<b>\$7.95</b>

**FUEL SYSTEM GASKETS**

Manifold Seals			
S&S Manifold O-Ring	each	<b>16-0235</b>	<b>\$11.95</b>
	10 pack	<b>16-0243</b>	<b>\$61.95</b>
Stock Manifold O-ring 26995-86A, 26992-99, 26995-86B	each	<b>16-0236</b>	<b>\$10.95</b>
	10 pack	<b>16-0244</b>	<b>\$60.95</b>
Cap, rubber, manifold, fitting		<b>50-8372</b>	<b>\$6.95</b>



33-5303-2



16-0235



11-2266



11-2282

1999-'06  
TWIN CAM  
88

CLASSIC TEARDROP AIR CLEANER			
Backplate gasket	each	106-1724	\$8.95
	10 pack	106-2328	\$40.95
Vent seal washers Silicone Coated Steel	1/2"	each	50-7055 \$7.95
		10 pack	50-7057 \$17.95
	3/8"	each	50-7054 \$7.95
		10 pack	50-7059 \$17.95

STEALTH AIR CLEANER			
<b>Backplate gasket</b>			
Stock CV Carb & EFI Throttle Body, 1991-up xl/bt <i>(except Throttle by Wire) 29062-95B</i>		106-6022	\$8.95
Super E/G	each	106-1724	\$8.95
	10 pack	106-2328	\$40.95
Vent seal washers Silicone Coated Steel, .380" x .880" x .024"	each	50-7054	\$7.95
	10 pack	50-7059	\$17.95

SINGLE BORE TUNED INDUCTION			
<b>Backplate gasket</b>			
Gasket, Backplate - E/G/SBEFI	each	106-1724	\$8.95
	10 pack	106-2328	\$40.95
Gasket, S&S SBEFI 58mm		106-4662	\$10.95
Gasket, Stock carb/Throttle Body 29062-95B		106-6022	\$8.95
Adaptor plate gasket		17-1022	\$10.95
Adaptor plate bracket o-ring	each	50-0446	\$8.95

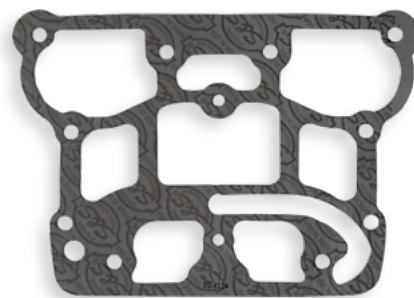
SINGLE BORE EFI THROTTLE BODY			
<b>Backplate gasket</b>			
52mm	each	106-1724	\$8.95
	10 pack	106-2328	\$40.95
58mm	each	106-4662	\$10.95
O-ring, throttle body to manifold		50-7967-S	\$7.95
Air Temp Sensor gasket		16-5009-S	\$9.95
IAC o-ring		50-8149-S	\$6.95
Fuel injector o-ring top		50-8264-S	\$7.95
Fuel injector o-ring bottom		50-8265-S	\$7.95
Fuel rail inlet o-ring 27237-95	each	50-8137-S	\$6.95



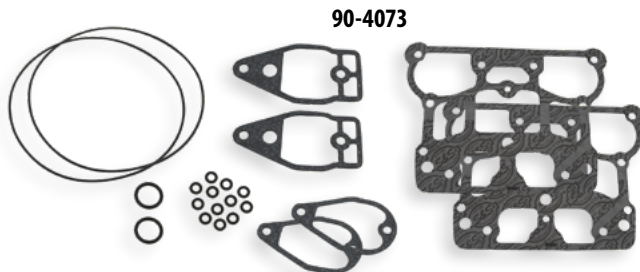
CARBURETOR GASKETS (FOR REBUILD KITS, 231)			
Bowl Gasket, Super E & G		11-2386	\$8.95
Pump cap o-ring - (two required)	each	50-8012	\$6.95
	10 pack	50-8100	\$16.95
Idle Mixture Needle o-ring	each	500-0036	\$6.95
	10 pack	500-0148	\$12.95
Bellows Seal, Accelerator Pump		11-2266	\$9.95
Accelerator pump diaphragm		11-2282	\$21.95
Manifold to carb/throttle body o-rings	Super E	each	50-8016 \$6.95
		10 pack	50-8094 \$14.95
	Super G	each	50-8015 \$7.95
		10 pack	50-8093 \$15.95
Seat and bowl plug o-ring	each	50-8009	\$6.95
	10 pack	50-8095	\$19.95

TRANSMISSION GASKETS		
O-ring, (-114), .625" ID x .812" OD, Black, Viton® 11270	50-8033	\$6.95
O-ring, Quad Seal, (-031), 1.734" X 1.875" 11165	50-8045	\$11.95
Seal, Transmission Output Shaft 2.255" x 3.388" x .250, 1994-'99 bt 12067B	56-3033	\$16.95

PRIMARY GASKETS			
Gasket, Primary Cover, 1990-'05 Softail® and Dyna® models	each	56-4049	\$61.95



90-4124



90-4073

MB

2007-'17  
TWIN CAM  
96"/103"/110"

1999-'06  
TWIN CAM  
88"

SPORTSTER, STREET,  
NIGHTSTER, STREET ROD  
& BUILL

TOOLS &  
SHOP  
SUPPLIES

WARRANTY &  
COMPANY  
POLICY

APPENDIX



For Harley-Davidson® Twin Cam 88° Engines

- 1. Bolt, stator 10-24 x 1" SHC - 4 required 2720  
 each ..... **50-0044** \$6.95  
 4 pack ..... **31-0113** \$14.95
- 2. Seal, sprocket shaft 12068 ..... **31-4035** \$20.95
- 3. Bearing, Timken® sprocket shaft 9028  
 ..... **31-4013** \$102.95
- 4. Timken Main Bearing Spacers  
 Fits 1 1/4" stock diameter shaft.  
 .0995" - .1005" 9124 ..... **31-4071** \$17.95  
 .1015" - .1025" 9125 ..... **31-4072** \$17.95  
 .1035" - .1045" 9126 ..... **31-4073** \$53.95  
 .1055" - .1065" 9127 ..... **31-4074** \$17.95  
 .1075" - .1085" 9128 ..... **31-4075** \$17.95  
 .1195" - .1205" 9134 ..... **31-4076** \$13.95
- 5. Bolt, case 3/16" - 18 x 3 1/2" HHC - 8 required  
 Chrome (each) ..... **50-0254-S±** \$10.95  
 Zinc 3427 (each) ..... **50-0117** \$6.95
- 6. Washer, flat 5/16" x 1 1/16" x 1/16" - 8 required  
 Chrome (each) ..... **50-7104-S±** \$6.95  
 Zinc 6320, 70907-07, 6016, 6702 (each) ..... **50-7034** \$4.95
- 7. Bolt center case 1/4" - 28 x 5 1/2" HHC Grade 8  
 Chrome (each) ..... **50-0252-S±** \$11.95  
 Zinc (each) ..... **50-0090** \$7.95
- 8. Washer, flat, 1/4" x .474" x .050"  
 Chrome (each) ..... **50-7105-S±** \$7.95  
 Zinc (each) ..... **50-7020** \$6.95
- 9. Nut 1/4"-28 Grade 8 - 1 required  
 Chrome (each) ..... **50-5017-S±** \$4.95  
 Zinc 7683 (each) ..... **50-5011** \$4.95
- 10. Cylinder stud, S&S® Bolt Pattern - 8 required (each) **31-2325-S** \$12.95  
 8 pack ..... **31-2340** \$61.95  
 Cylinder stud, Stock Bolt Pattern - 8 required (each) ..... **310-0437** \$10.95
- 11. Dowel, cylinder deck - 2 required (each) ..... **500-0218** \$9.95
- 12. Bolt, cam plate 1/4" - 20 x 1" SHC - 4 required 852  
 each ..... **50-0084** \$6.95
- 13. Bolt, cam plate 1/4" - 20 x 1 1/4" SHC - 2 required 4740A, 3482A  
 each ..... **50-0008** \$6.95
- 14. Washer, flat 1/4" chrome (each) ..... **50-7017±** \$6.95  
 12 pack ..... **50-7013** \$12.95
- 15. O-ring, cam plate - 9 required 11301 (each) ..... **50-8066-S** \$4.95
- 16. O-ring, oil pump 1 1/16" I.D. x 1 5/16" O.D. x 1/8" CS 11293, 11157, 11101, 11190  
 each ..... **50-8039** \$6.95
- 17. O-ring, case alignment, - 2 required 3/16" I.D. x 1 1/16" O.D. x 1/16" CS 26432-76A  
 each ..... **50-8034-S** \$9.95  
 2 pack ..... **50-8034** \$14.95
- 18. Dowel, cam plate - 2 required 16589-99A ..... **50-8148-S** \$8.95
- 19. Bearing, inner cam 9198 ..... **31-4080** \$16.95
- 20. Bearing, pinion shaft - Fits all S&S & OEM 2000-'02 (Balanced models only)  
 & all OEM 2003-up 24604-00D ..... **31-4085** \$97.95
- 21. Retaining ring, internal, spiraloc - 2 required  
 35114-02 ..... **50-8160-S** \$7.95
- 22. Plug, magnetic drain ..... **50-8335** \$17.95
- 23. Baffle plate ..... **31-0119-S** \$19.95
- 24. Screw 10-24 x 3/8" pan head - 2 required (each) ..... **50-0050** \$6.95
- 25. Dowel, case alignment - 2 required 16574-99A, 16573-83, 16573-83A  
 each ..... **50-8023** \$7.95  
 10 pack ..... **50-8109** \$27.95

- 27. O-ring, (-014), .500" ID x .625" OD, Nitrile  
 each ..... **50-8270** \$6.95  
 5 pack ..... **50-8275** \$9.95
- 28. Jet, Assembly, Piston Cooling ..... **310-0647** \$30.95  
 Jet, Kit, Piston Cooling, 4-1/8" 1984-'99 bt, 1999-up bt, 2 Pack (2 pack)  
 ..... **31-2026** \$71.95
- 29. Screw, Torx Panhead, Tri-Lobe, 8-32 x 3/8", Zinc, Steel 68042-99  
 each ..... **50-0054-S** \$4.95
- 30. Fitting, crankcase vent  
 1999-'00 ..... **50-0454** \$19.95  
 2001-'06 (each) ..... **50-0449** \$19.95
- 31. Plate, oil line cover ..... **106-1184** \$26.95
- 32. BHS CS 5/16" - 18 x 3/4" ..... **50-0438** \$4.95
- 33. O-ring 11105, 11273 (each) ..... **50-8008** \$6.95  
 10 pack ..... **50-8078** \$14.95
- 34. Pin, dowel 18535-99 (each) ..... **50-8195-S** \$7.95  
 2 pack ..... **50-8195** \$9.95

These parts are for crankcases manufactured before 8-1-06:

- 35. O-ring, 3/16" I.D. x 1 1/16" O.D. x 1/16" CS 26432-76A (each) ..... **50-8034-S** \$9.95  
 2 pack ..... **50-8034** \$14.95
- 36. Bolt, 1/4" - 20 x 3/4" SHCS 4069A (each) ..... **50-0067** \$7.95
- 37. Hose, oil, inlet/outlet ..... **50-8157** \$19.95
- 38. Spring clips ..... **50-8156-S** \$4.95
- 39. Oil line fittings, inlet/outlet - 2 required ..... **N/A**
- 40. Oil line fitting- vent ..... **N/A**
- 41. Plug, sump 765 (each) ..... **50-8330** \$6.95
- 42. Oil conduit block ..... **N/A**
- 43. Sensor, Kit, Crank Position, 1984-2007 bt (N/S)  
 32707-01B, 32707-01C ..... **55-1051** \$163.95

**HARDWARE KITS**

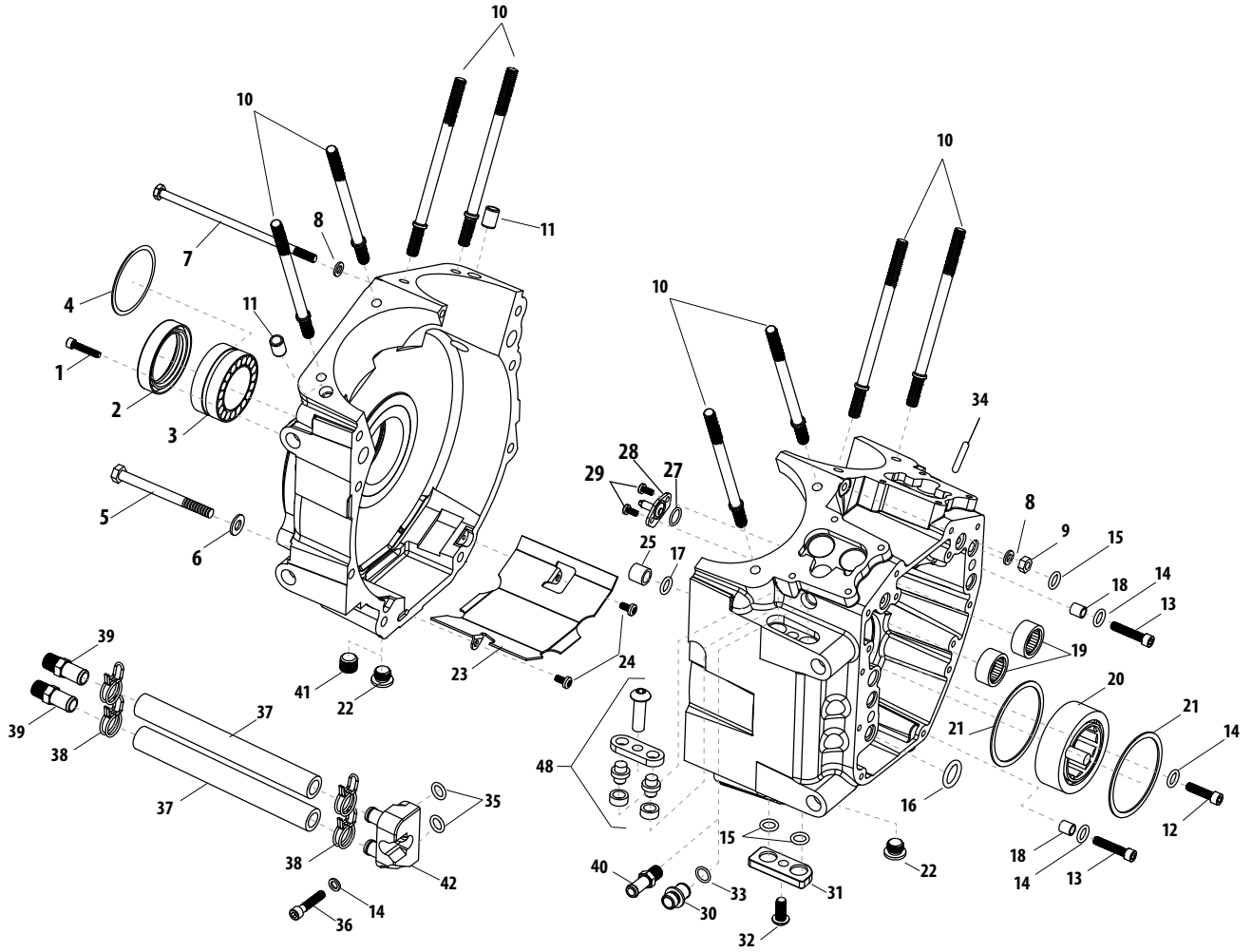
- 45. Hardware Kit, Crankcase, Cam Plate Bolts, 1999-up bt  
 includes #12 (4), #13 (2), #14 (6) ..... **31-0117** \$14.95
- 46. Hardware Kit, Crankcase, O-rings, 1999-up bt includes #15 (7), #16 (1), #17 (2)  
 ..... **31-0111** \$24.95
- 47. Hardware Kit, Crankcase Baffle Plate, 1999-up bt includes #23 (1) and #24 (2)  
 ..... **31-0122** \$27.95
- 48. Hardware kit, oil line plugs ..... **50-1081** \$61.95

(N/S) = Not Shown  
 (N/A) = Not Available

⚠ WARNING: Cancer and Reproductive Harm - www.P65Warnings.ca.gov

1999-06  
TWIN CAM  
88°





**CRANKCASE BREATHER REED VALVE  
REPLACEMENT PARTS: 266**

M8

2007-'17  
TWIN CAM  
96"/103"/110"

1999-'06  
TWIN CAM  
88"

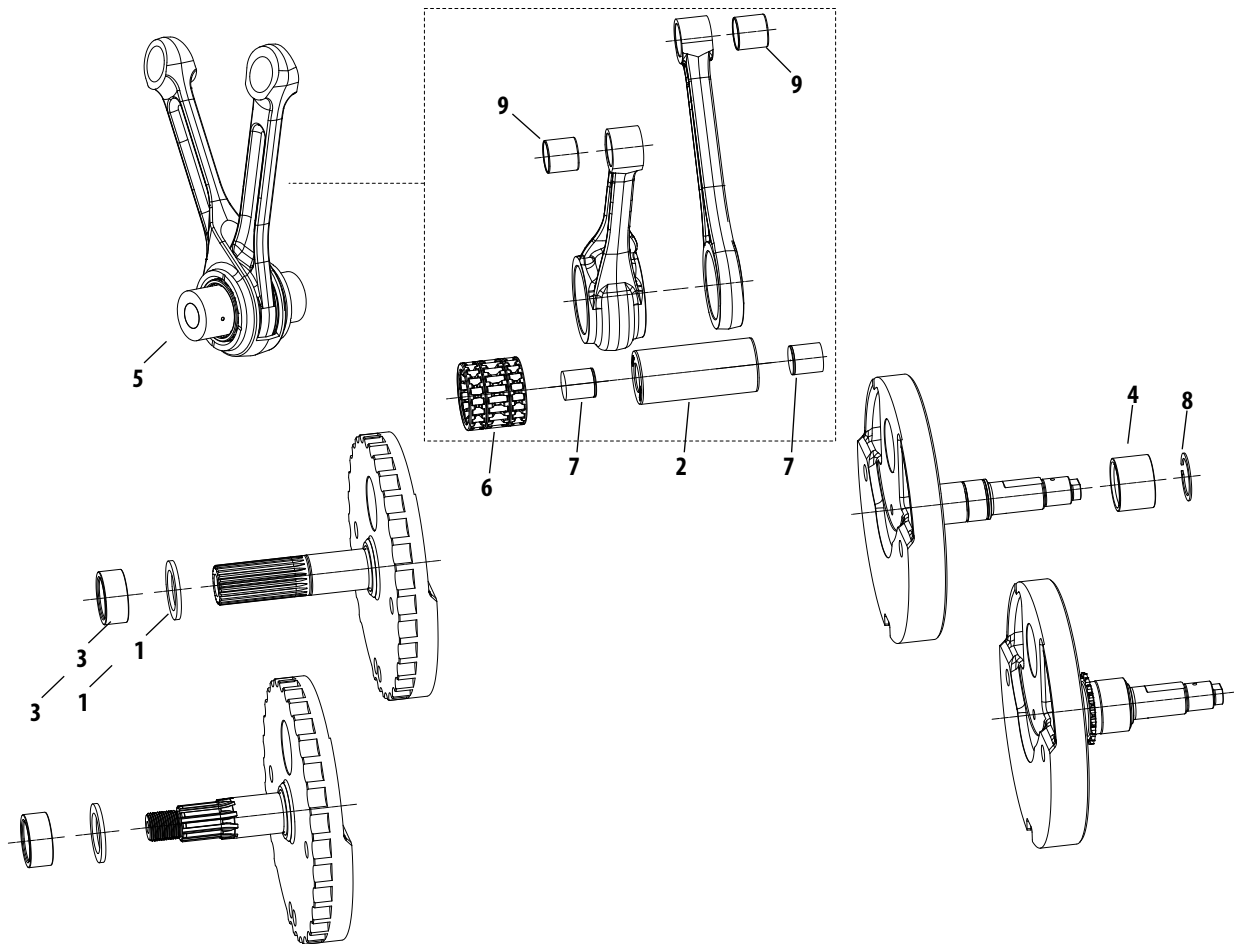
SPORTSTER STREET,  
NIGHTSTER STREET ROD  
& BUIEL

TOOLS &  
SHOP  
SUPPLIES

WARRANTY &  
COMPANY  
POLICY

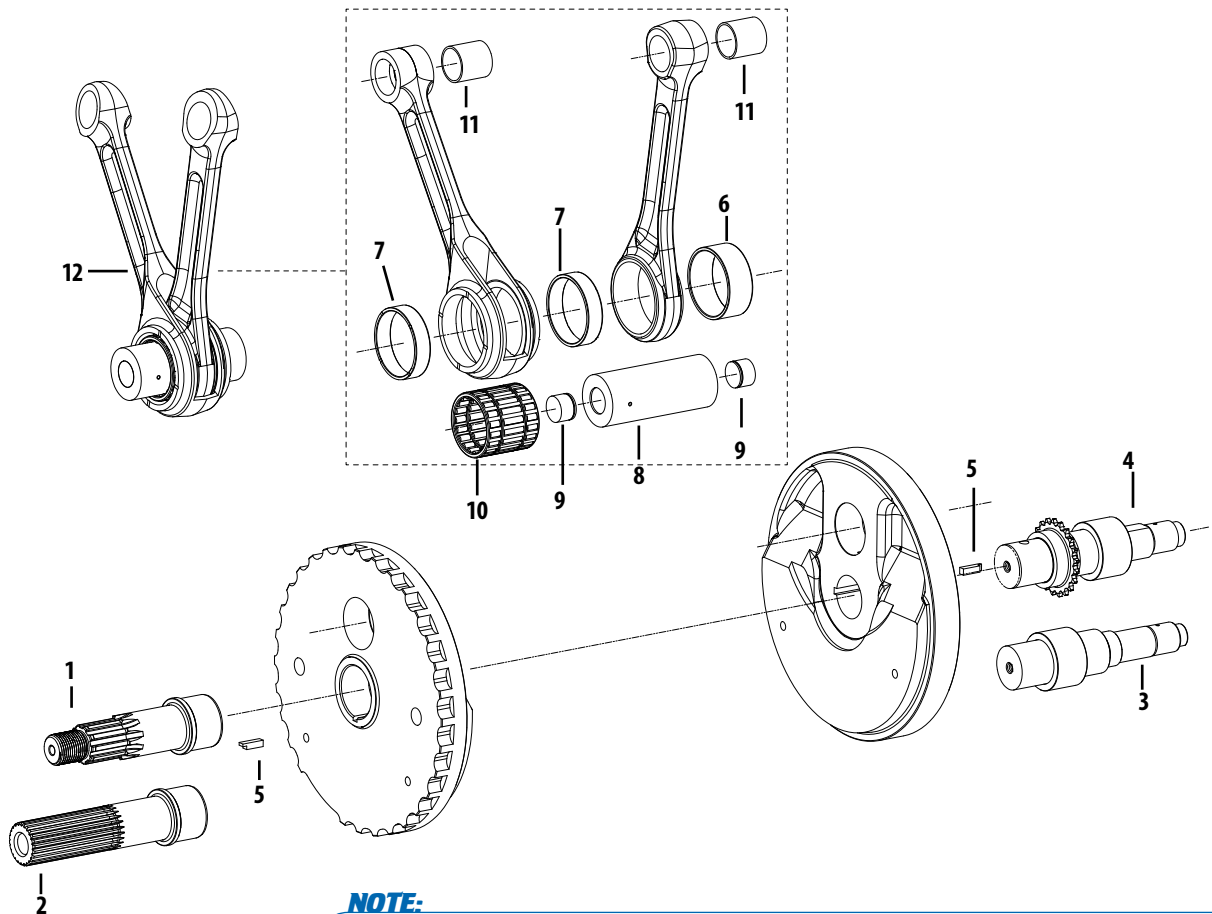
APPENDIX

1. Washer, Flywheel, Thrust, 1.25" x 1.83" x .136", Hardened Steel ..... **320-0198**
2. Crankpin, Press-In, Straight, 1.671", 1999-Up bt (includes plugs)  
Standard..... **340-0069**  
+.001..... **340-0070**  
+.002..... **340-0071**
3. Race, Inner, Left Main Bearing,  
1.25" x 1.65" x .713", Hardened Steel..... **340-0076**
4. Race, Inner, Right Main Bearing,  
1.25" x 1.65" x 1.120", Hardened Steel..... **340-0077**
5. Connecting Rod, Set, Full Width Wristpin, 7.575", 120R... **340-0062**  
Connecting Rod, Set, Full Width Wristpin, 7.667"..... **340-0060**  
Connecting Rod, Set, Full Width Wristpin, 7.800", T143... **340-0128**
6. Bearing, Set, Rod, Standard..... **310-0752**
7. Plug, Drive, .8965" x .850", Steel, Fatigue Proof  
2 pack..... **500-0187**
8. Retaining Ring, External, Pinion Bearing, 1.160" x 1.480" x .046",  
Carbon Steel, SAE 1060-109011177A..... **50-8057**
9. Bushing, Wristpin, .928", Bronze *each*..... **340-0024**



1999-06  
TWIN CAM  
88

1. Sprocket Shaft, 1999-2006 bt (includes key #5) ..... N/A
2. Sprocket Shaft, 2006 Dyna®, 2007-2012 bt ..... 33-2011
3. Pinion Shaft, 1999-2012 bt (includes key #5) ..... N/A
4. Pinion Shaft, 2000-2012 w/balancer (includes key #5) ..... N/A
5. Key (each) ..... 50-8227
6. Front Rod Race, 1999-2012 ..... 34-4008
7. Rear Rod Race ..... 34-4013
8. Crankpin (std.) ..... 106-6239
- +.001 ..... 340-0017
- +.002 ..... 340-0018
- +.003 ..... 340-0019
9. Crankpin Plug (each) ..... 106-5256
- 2 pack ..... 50-8329-2
10. Race/Bearing Set ..... 340-0028
11. Wristpin Bushing, 1999-2012\*bt
- Straight bushing ..... 34-4012
12. Connecting Rod Set, 7.668" length
- 1999-2006 bt, straight wristpin ends ..... N/A



**NOTE:**

S&S flywheels for Harley-Davidson® Twin Cam 88® and Twin Cam 96™ engines are pressed together as opposed to using the traditional tapered shafts and crankpin. Assembly and truing requires special equipment.

MB

2007-17  
TWIN CAM  
96"/103"/110"

1999-06  
TWIN CAM  
88"

SPORTSTER, STREET,  
NIGHTSTER, STREET ROD  
& BIJEL

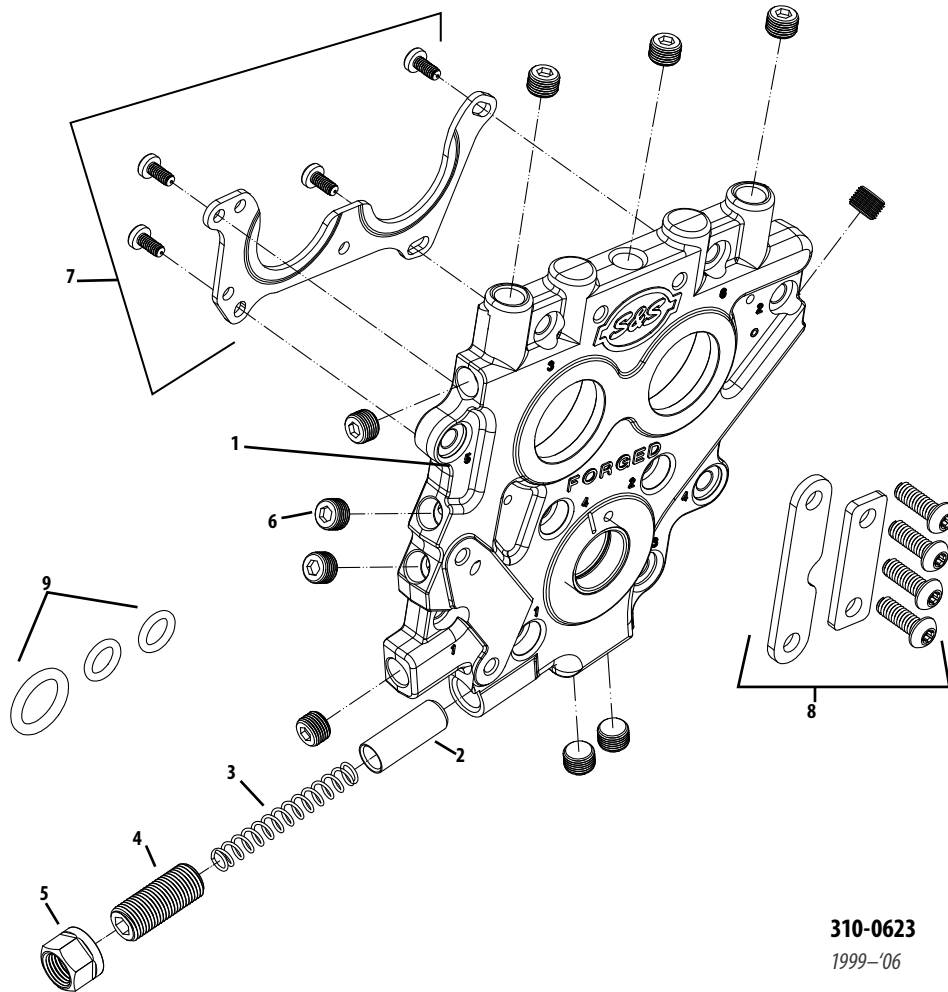
TOOLS &  
SHOP  
SUPPLIES

WARRANTY &  
COMPANY  
POLICY

APPENDIX

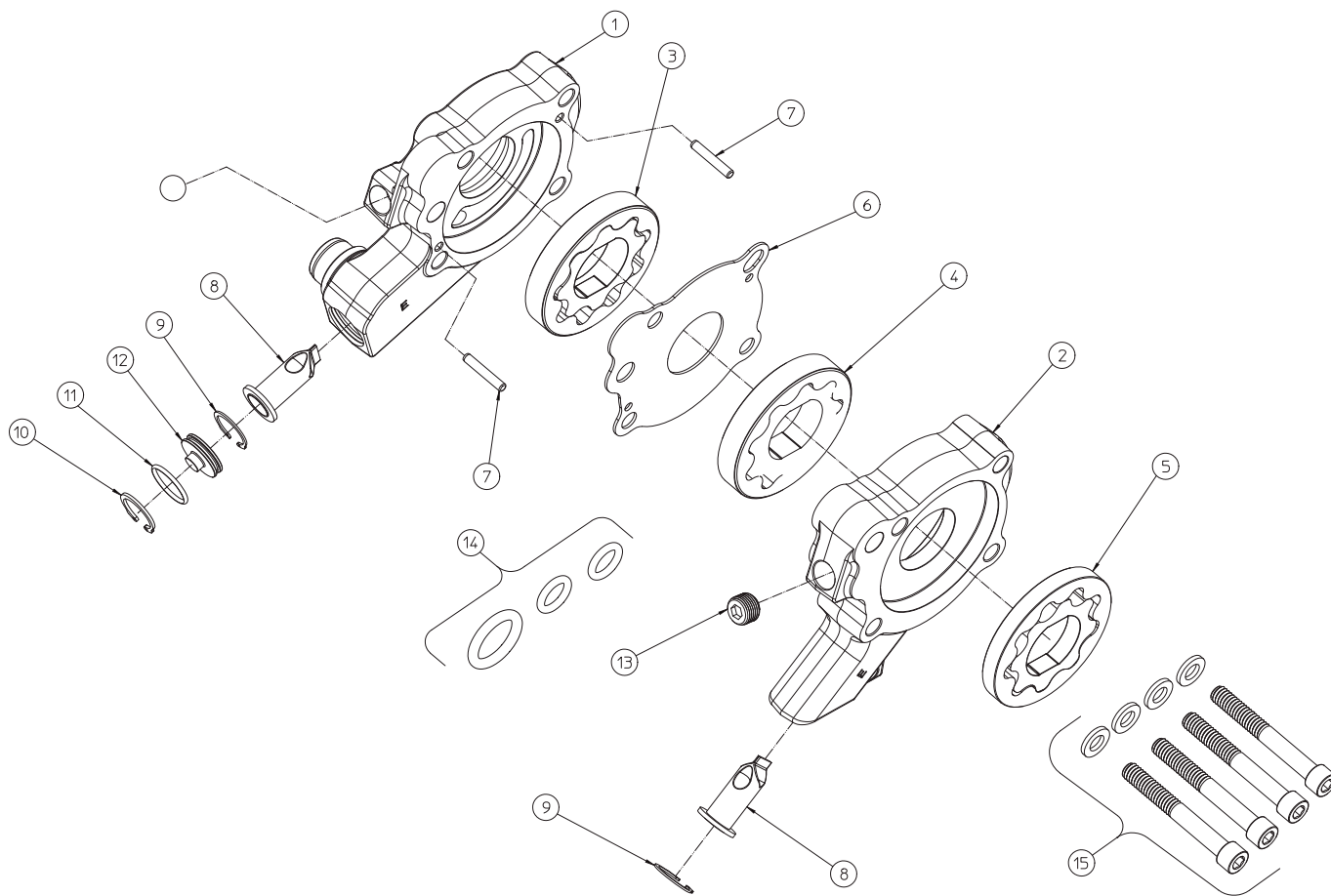


- 1. Cam support plate ..... **NA** -
- 2. Pressure relief valve ..... **31-6082-S** \$10.95
- 3. Pressure relief spring ..... **31-6018** \$6.95
- 4. Pressure relief adjusting screw ..... **170-0252** \$15.95
- 5. Pressure relief adjusting screw lock nut ..... **170-0251** \$12.95
- 6. 1/8" 27 taper pipe plug ..... **50-8331A** \$7.95
- 7. Bearing retention plate kit ..... **33-5212** \$13.95
- 8. Hydraulic tensioner block off kit ..... **106-5723** \$16.95
- 9. O-ring kit ..... **500-0326** \$11.95



**310-0623**  
1999-'06

1999-'06  
TWIN CAM  
88



- 1. Oil pump body case return section ..... **NA** -
- 2. Oil pump body cam chest return / pressure feed ..... **NA** -
- 3. Oil pump rotor set, flywheel cavity return ..... **310-1092** \$71.95
- 4. Oil pump rotor set, cam chest cavity return ..... **310-1048** \$61.95
- 5. Oil pump rotor set, supply ..... **310-0561** \$61.95
- 6. Plate, divider ..... **310-1145** \$11.95
- 7. Dowel Pin, .125 x .750 Hardened Steel ..... **106-3794** \$4.95
- 8. Debris screen ..... **310-0546** \$15.95
- 9. Internal Retaining Ring, .625 ..... **500-0860** \$9.95
- 10. Internal Retaining Ring, 17mm ..... **500-0859** \$9.95
- 11. O-ring, 1.5mm x 14mm, Viton (5 pack) ..... **500-0861** \$14.95
- 12. Oil pump return plug ..... **310-0564** \$11.95
- 13. Plug, Pipe 1/8" 27 ..... **50-8331A** \$7.95
- 14. O-ring kit ..... **500-0326** \$11.95
- 15. Screw Kit, Oil Pump, 1999-Up BT  
(1/4" 20 x 2" SHCS w/washers) ..... **500-0327** \$11.95

M8

2007-'17  
TWIN CAM  
96"/103"/110"

1999-'06  
TWIN CAM  
88"

SPORTSTER, STREET,  
NIGHTSTER, STREET ROD  
& BUELL

TOOLS &  
SHOP  
SUPPLIES

WARRANTY &  
COMPANY  
POLICY

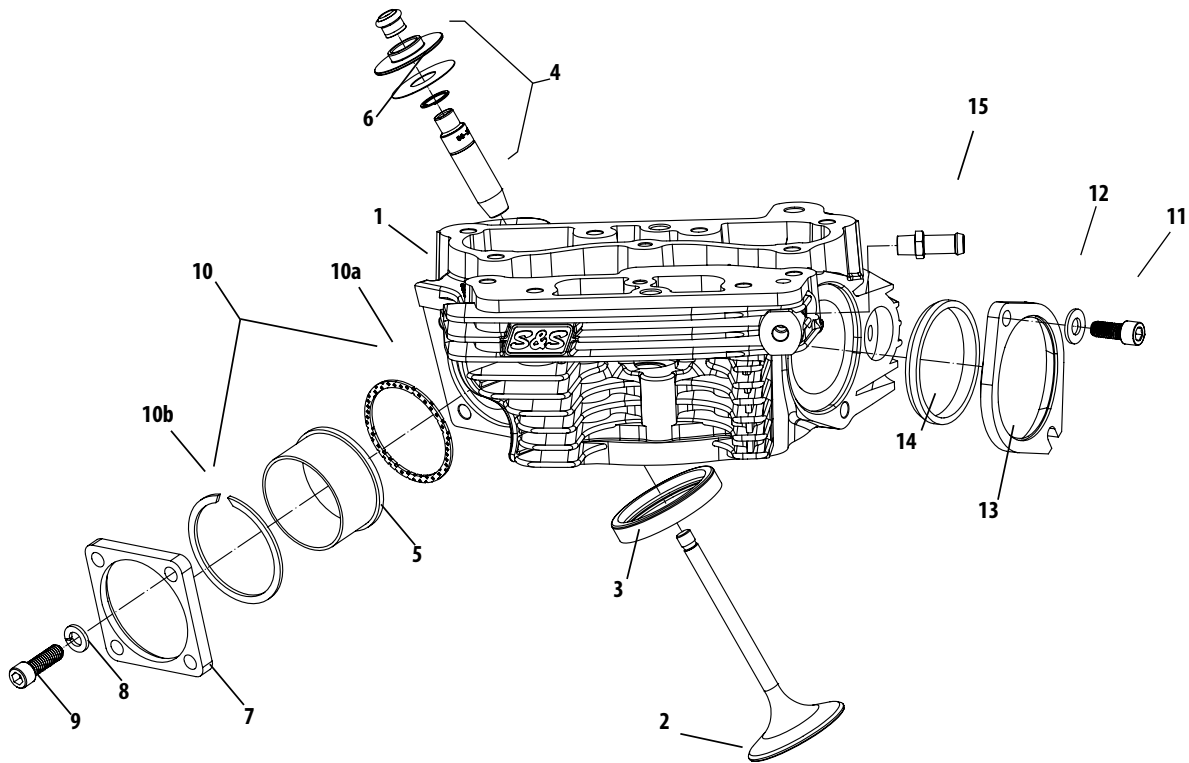
APPENDIX



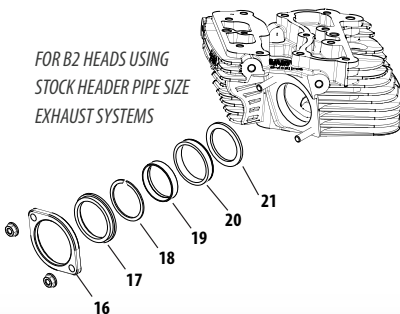
### For 1984-'17 Big Twin Engines (Except 2017 Touring Models)

- |  |                          |
|--|--------------------------|
| 1. Cylinder Head — (219)   |                          |
| 2. Valve   |                          |
| Intake, 2.200" Dia.....  | <b>90-2127</b> \$61.95   |
| Exhaust, 1.800" Dia.....   | <b>90-2128</b> \$193.95  |
| 3. Valve Seat  |                          |
| Exhaust, 1.800" Dia.....   | <b>90-2126</b> \$50.95   |
| Intake, 2.200" Dia.....  | <b>90-2125</b> \$40.95   |
| 4. Valve Guide - Cast - Intake/Exhaust   |                          |
| Std.....   | <b>900-0553</b> \$50.95  |
| +.030".....  | <b>106-2170</b> \$145.95 |
| 5. Adaptor, Exhaust Flange.....  | <b>55-6022</b> \$60.95   |
| 6. Snap Ring.....  | <b>106-2164</b> \$6.95   |
| 7. Flange, Exhaust, Front/Rear.....  | <b>55-6021</b> \$71.95   |
| 8. Washer, Lock, .332" X .583" X .078".....  | <b>50-7032</b> \$4.95    |
| 9. Screw, Sh, 5/16" -18 X 1" 3201WA, 2708.....                                       | <b>50-0101</b> \$4.95    |
| 10. Gasket, Kit, Exhaust, B2 Heads, SA.....  | <b>90-1900</b> \$27.95   |
| Kit Includes Two Each:   |                          |
| A: Gasket, Exhaust Pipe (each).....  | <b>93-1083-S</b> \$73.95 |
| 6 pack.....  | <b>93-1083</b> \$81.95   |
| B: Retaining Ring.....   | <b>50-8159-S</b> \$10.95 |
| 11. Screw, SH, 5/16-18 X 3/4" 3275.....  | <b>50-0302-S</b> \$4.95  |
| 12. Washer, 5/16" 6320, 70907-07, 6016, 6702.....                                    | <b>50-7034</b> \$4.95    |
| 13. Manifold Mounting Flange   |                          |
| Front.....   | <b>16-0247</b> \$81.95   |
| Rear.....  | <b>16-0248</b> \$81.95   |
| 14. O-Ring, Manifold.....  | <b>16-0246-S</b> \$27.95 |
| 6 pack.....  | <b>16-0246</b> \$142.95  |
| 15. Fitting, Vent Hose, 1/8"-27 Pipe.....  | <b>50-8115</b> \$9.95    |
| 16. Exhaust Flange, 1984-Up S&S® B2 Heads.....                                       | <b>550-0223</b> \$25.95  |
| 17. Exhaust Adapter Flange For Stock Header Pipe,<br>1984-Up S&S® B2 Heads.....      | <b>550-0224</b> \$50.95  |
| 18. Exhaust Flange Retaining Ring, 1.759" X .062".....                               | <b>550-0226</b> \$10.95  |
| 19. Exhaust Gasket, Tapered Stainless Steel,<br>1984-Up bt 65324-83B, 65324-83A..... | <b>106-5029</b> \$7.95   |
| 20. Press-In Aluminum Retaining Ring.....  | <b>550-0225</b> \$40.95  |
| 21. Exhaust Gasket Backing Washer 2.18" X 1.690" X .125".....                        | <b>550-0220</b> \$31.95  |
| 22. Exhaust Flange Retaining Ring, 2.125" X .078".....                               | <b>50-8159-S</b> \$10.95 |
| 23. Exhaust Gasket, Tapered, Stainless Steel.....                                    | <b>550-0221</b> \$10.95  |
| 24. Exhaust Gasket Backing Washer 2.18" X 1.885" X .200".....                        | <b>550-0219</b> \$31.95  |
| 25. Weld-On Exhaust Header Pipe.....   | <b>550-0222</b> \$40.95  |

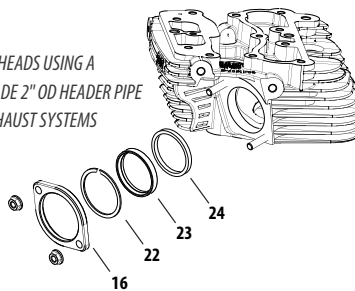
### VALVE SPRING REPLACEMENT PARTS 250



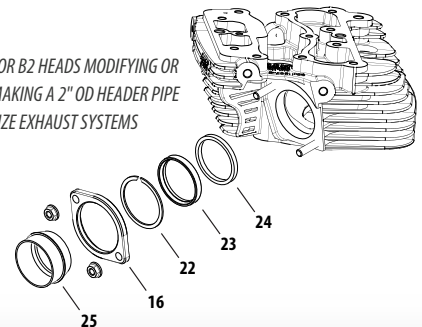
FOR B2 HEADS USING STOCK HEADER PIPE SIZE EXHAUST SYSTEMS



FOR B2 HEADS USING A PRE-MADE 2" OD HEADER PIPE SIZE EXHAUST SYSTEMS

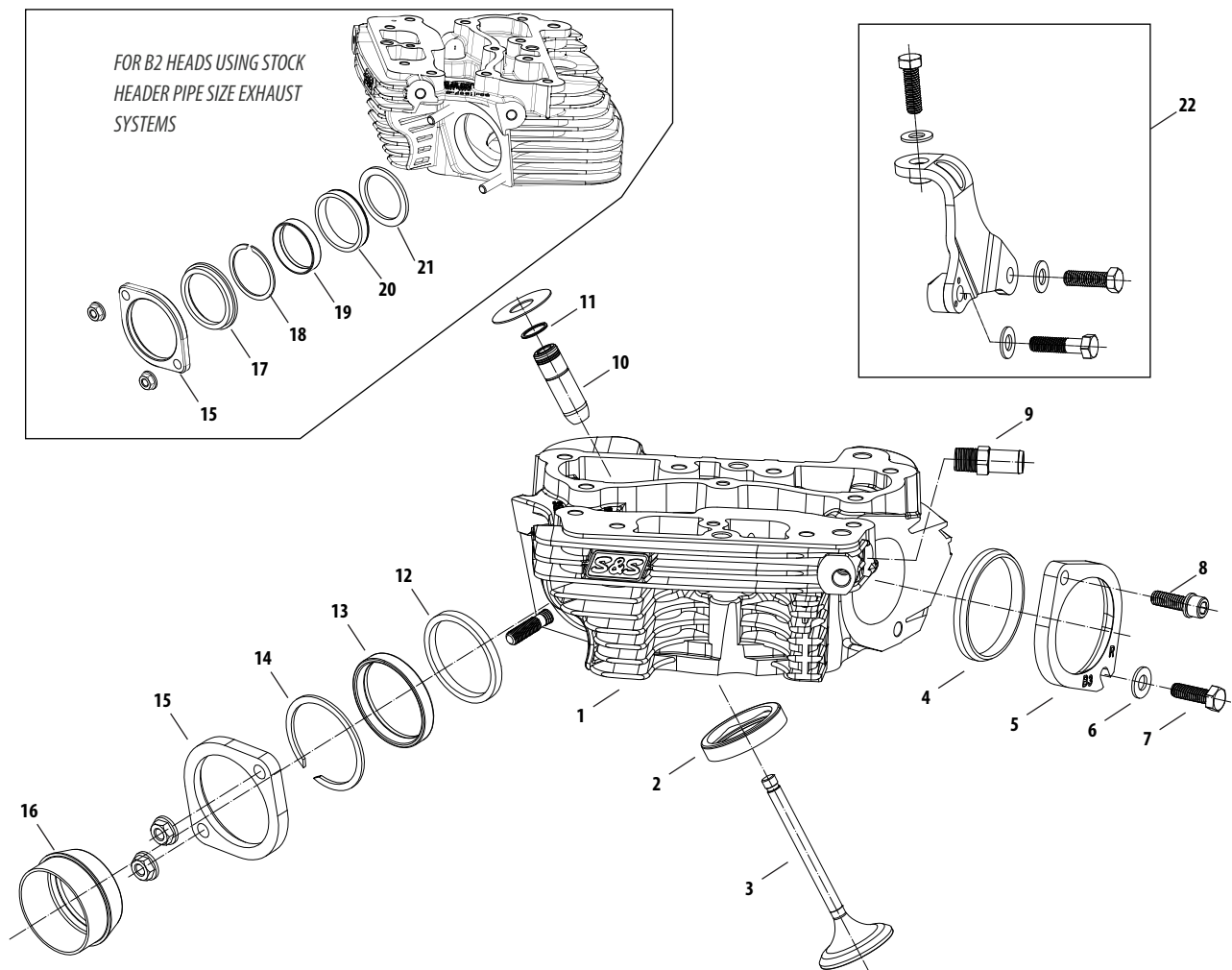


FOR B2 HEADS MODIFYING OR MAKING A 2" OD HEADER PIPE SIZE EXHAUST SYSTEMS



- |  |                  |            |   |                  |         |
|--|------------------|------------|---|------------------|---------|
| 1. Cylinder Heads Set, B3<br>Black.....  | <b>900-0803</b>  | \$2,855.95 | 10. Valve Guide, Intake, Powder Metal .....   | <b>900-0780</b>  | \$27.95 |
| Silver.....  | <b>900-0818</b>  | \$2,855.95 | 11. Retaining Ring, External, Spiral, Heavy Duty, .525" x .035" x .050",<br>Carbon Steel..... | <b>106-2164</b>  | \$6.95  |
| 2. Seat, Blank, B3 Heads, 2.300"<br>Intake .....                               | <b>900-0677</b>  | \$40.95    | 12. Exhaust Gasket Backing Washer, 2.18" x 1.885" x .200"...                                  | <b>550-0219</b>  | \$31.95 |
| Exhaust.....   | <b>90-2126-5</b> | \$28.95    | 13. Exhaust Gasket, Tapered, Stainless Steel .....  | <b>550-0221</b>  | \$10.95 |
| 3. Valve<br>Intake (2.300") .....  | <b>900-0678</b>  | \$60.95    | 14. Exhaust Flange Retaining Ring, 2.125" x .078".....  | <b>50-8159-5</b> | \$10.95 |
| Exhaust (1.800").....  | <b>900-0679</b>  | \$91.95    | 15. Exhaust Flange.....   | <b>550-0223</b>  | \$25.95 |
| 4. Seal, Manifold, B2 Heads, 2.250" x 2.520" x .290".....                      | <b>16-0246-5</b> | \$27.95    | 16. Weld-On Exhaust Header Pipe .....   | <b>550-0222</b>  | \$40.95 |
| 5. Flange<br>Front .....   | <b>160-0087</b>  | \$121.95   | 17. Exhaust Adapter Flange for Stock Header Pipe.....   | <b>550-0224</b>  | \$50.95 |
| Rear.....  | <b>160-0088</b>  | \$121.95   | 18. Exhaust Flange Retaining Ring, 1.759" x .062".....  | <b>550-0226</b>  | \$10.95 |
| Set.....   | <b>160-0091</b>  | \$257.95   | 19. Exhaust Gasket, Tapered Stainless Steel .....   | <b>106-5029</b>  | \$7.95  |
| 6. Washer, Flat, .344" x .688" x .065", Zinc, Steel.....                       | <b>50-7034</b>   | \$4.95     | 20. Press-in Aluminum Retaining Ring, 1984-up .....   | <b>550-0225</b>  | \$40.95 |
| 7. Bolt, Hex Head, Gr5, 5/16-18 x 1", Zinc.....                                | <b>50-0108</b>   | \$6.95     | 21. Exhaust Gasket Backing Washer, 2.18" x 1.690" x .125".....                                | <b>550-0220</b>  | \$31.95 |
| 8. Screw, SHCS, w/Flat Washer, 5/16-18 x 1", Zinc.....                         | <b>50-0125-5</b> | \$6.95     | 22. Head Mount Bracket Kit<br>2008 T143 .....   | <b>900-0797</b>  | \$71.95 |
| 9. Fitting, Pipe, Straight, 1/4-18 NPTF x 1.510" X .500", Zinc, Steel<br>..... | <b>50-8158-5</b> | \$12.95    | 2009-up T143 .....  | <b>900-0798</b>  | \$82.95 |

VALVE SPRING REPLACEMENT PARTS 250



All reference to HD® part numbers is for identification purposes only. We in no way are implying that any of S&S Cycle's products are original equipment parts or that they are equivalent to the corresponding HD® part number shown.



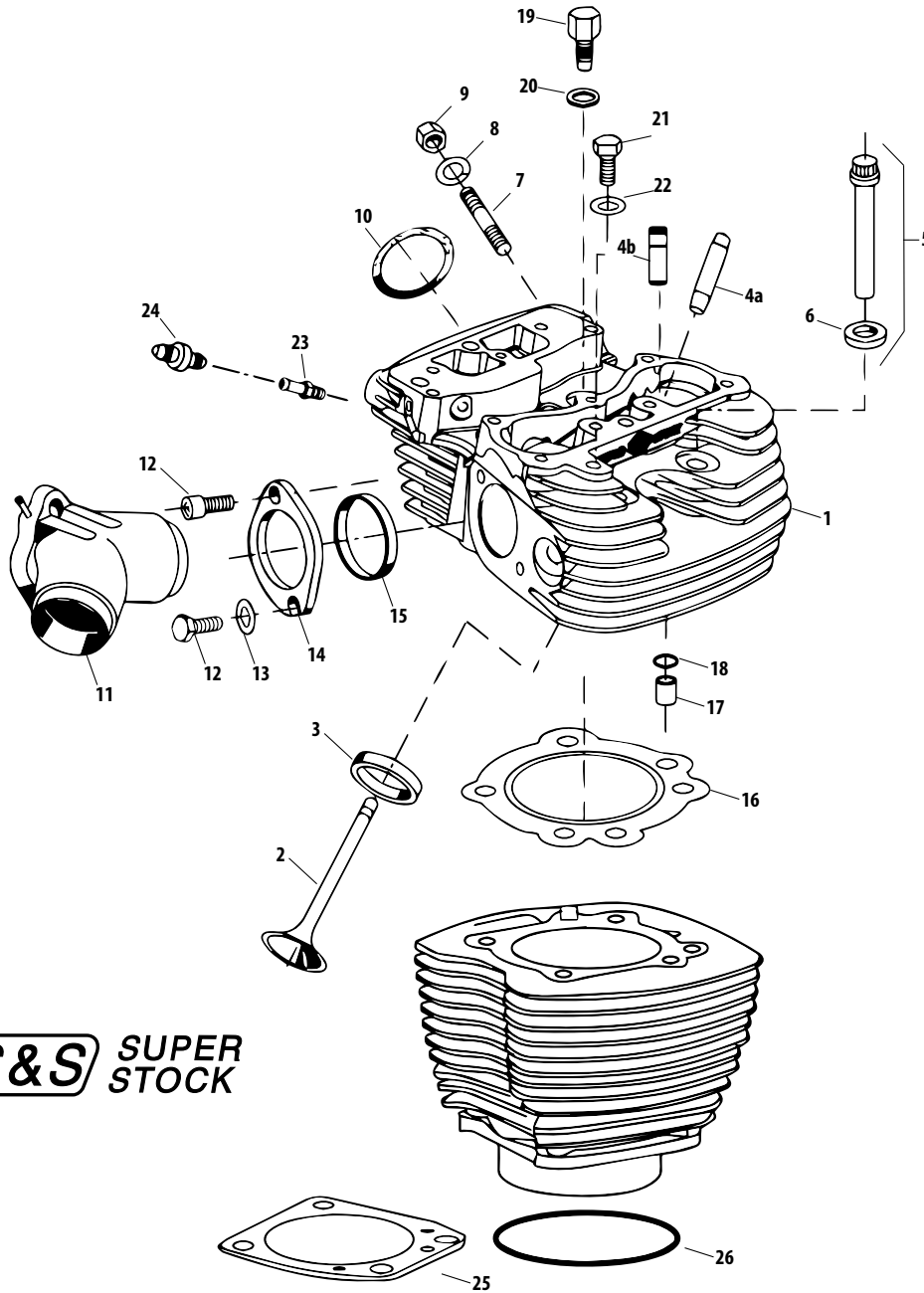
For 1999—up Big Twin Engines

1. Cylinder head ( 220)
2. Valve
  - All S&S heads with 89cc chamber
  - Intake
    - 2.000" diameter ..... **90-2000** \$40.95
  - Exhaust
    - 1.605" diameter ..... **90-2001** \$81.95
  - All S&S heads with 79cc chamber
  - Intake — 1.940" diameter ..... **90-2025** \$50.95
  - Exhaust — 1.575" diameter ..... **90-2026** \$71.95
3. Valve seat
  - All S&S heads with 89cc chamber
  - Intake - 2.000" diameter ..... **90-2002** \$30.95
  - Exhaust - 1.605" diameter ..... **90-2003** \$70.95
  - All S&S heads with 79cc chamber
  - Intake - 1.940" diameter ..... **90-2027** \$25.95
  - Exhaust - 1.575" diameter ..... **90-2028** \$27.95
- 4a. Valve guide - Cast- Intake or Exhaust
  - Standard Diameter .5625/.5620 18112-92 ..... **90-2210** \$58.95
  - + .001" Diameter .5635/.5630 18130-83C ..... **90-2211** \$81.95
  - + .002" Diameter .5645/.5640 18133-83A, 18133-83D ..... **90-2212** \$101.95
  - + .003" Diameter .5655/.5650 18131-83C ..... **90-2213** \$122.95
  - + .030" Diameter .5925/.5920 ..... **90-2219** \$71.95
- 4b. Valve guide - Powder Metal - Intake or Exhaust
  - Standard ..... **900-0553** \$50.95
  - + .001" ..... **900-0554** \$50.95
  - + .002" ..... **900-0555** \$50.95
  - + .003" ..... **900-0556** \$50.95
5. Head bolt assembly — (8 Required) (Includes head bolt washer)
  - 88", 95", 96", 100", 107" & 111" ..... **93-3030** \$21.95
  - 4 pack ..... **93-3030-4** \$61.95
  - 116", 117" ..... **93-3037** \$21.95
  - 4 pack ..... **93-3037-4** \$76.95
6. Head bolt washer
  - .150" (each) ..... **50-0418-S** \$9.95
  - .250" (each) ..... **50-7091** \$7.95
7. Exhaust port stud 16715-83 (each) ..... **50-0493** \$7.95
- 5 pack ..... **50-1028** \$19.95
8. Lock washer - 5/16" ..... **50-7032** \$4.95
9. Nut, flanged - 5/16" -24
  - Zinc (each) ..... **50-5025-S** \$4.95
  - 2 pack ..... **50-5025-2** \$7.95
  - 5 pack ..... **50-1001** \$9.95
  - Chrome (each) ..... **50-5030-S±** \$6.95
10. Exhaust pipe gasket, tapered 65324-83B, 65324-83A (each) ..... **106-5029** \$7.95
- 10 pack ..... **93-1072** \$71.95
11. Intake manifold ( 225)
12. Manifold mounting screw
  - SH - 5/16" -18 x 3/4" 3275(each) ..... **50-0302-S** \$4.95
  - SH - 5/16" -18 x 1" 3201WA, 2708 ..... **50-0101** \$4.95
  - HH - 5/16" -18 x 1" 3987 (each) ..... **50-0108** \$6.95
13. Flat washer - 5/16" 6320, 70907-07, 6016, 6702 ..... **50-7034** \$4.95
14. Manifold mounting flange
  - a. Standard Profile Flange
    - Front 27009-86A (each) ..... **16-0232** \$72.95
    - 5 pack ..... **16-0600** \$336.95
    - Rear 27010-86A (each) ..... **16-0233** \$72.95
    - 5 pack ..... **16-0601** \$339.95
    - Set (Front & Rear) ..... **106-3516** \$173.95
  - b. Low Profile Flange
    - Front ..... **106-1344** \$50.95
    - Rear ..... **106-1345** \$50.95
15. Manifold o-ring
  - For S&S heads (each) ..... **16-0235** \$11.95
  - 10 pack ..... **16-0243** \$61.95
  - For Stock heads 26995-86B, 26995-86A, 26992-99 (each) ..... **16-0236** \$10.95
  - 10 pack ..... **16-0244** \$60.95
16. Head gasket
  - For Stock Bolt Pattern
    - 3 3/4" x .043" Graphite 16775-99B (each) ..... **93-1045-S** \$49.95
    - 3 7/8" /3.927" x .030" Layered Steel (2 pack) ..... **900-0605** \$82.95
    - 3 7/8" /3.927" x .045" Layered Steel (each) ..... **900-0606** \$40.95
    - 4" x .043" Graphite (each) ..... **93-1043-S** \$19.95
    - 4 1/8" x .043" Layered Steel (each) ..... **93-1091-S** \$40.95
    - 4 1/8" x .030" Layered Steel (2 pack) ..... **900-0217** \$91.95
  - For S&S Bores
    - 4 1/8" x .043" Graphite (each) ..... **93-1047-S** \$17.95
    - 10 pack ..... **93-1073** \$152.95
    - 4 3/8" x .045" Copper (Set of Two) ..... **93-1081** \$132.95
17. Alignment dowel, base and head 16595-99A ..... **50-8177** \$8.95
- 4 pack ..... **50-8177-4** \$15.95
18. Alignment dowel o-ring — Base (all bore sizes)
  - S&S heads 3 3/4" bore only 11105, 11273
  - each ..... **50-8008** \$6.95
  - 10 pack ..... **50-8078** \$14.95
19. Plug, HH - 14mm (each) ..... **90-4916** \$24.95
- 2 pack ..... **90-4916-2** \$49.95
20. Washer, compression - 14mm, 507" x .705" x .047" (each) ..... **50-7094** \$15.95
21. Head mount bolt - 3/8" -16 x 1 1/4" 4716W (each) ..... **50-0168** \$6.95
22. Flat washer - 3/8" (each) ..... **50-7051** \$4.95
23. Vent hose fitting, (For 4 1/8" Bore Only)
  - Front, 1/16" -27 pipe ..... **50-8117** \$15.95
  - Rear, 1/8" -27 pipe ..... **50-8115** \$9.95
24. Check Valve (For 4 1/8" Bore Only) ..... **50-8122** \$16.95
25. Base Gaskets
  - For S&S Bores
    - 4 3/8" x .018" Graphite (2 pack) ..... **93-1082** \$19.95
    - 4 1/8" x .018" Graphite (each) ..... **93-1048-S** \$11.95
    - 10 pack ..... **93-1074** \$71.95
    - 4" x .018" Graphite (each) ..... **93-1050-S** \$10.95
  - For Stock Bolt Pattern
    - 4 1/8" x .018" Graphite (each) ..... **93-1092-S** \$15.95
    - 10 pack ..... **93-1921** \$101.95
26. Base O-ring (Used for early S&S bores)
  - 4" x .103" (each) ..... **50-8049** \$11.95
  - 3 3/8" or 3 1/2" x .103" 11256 (each) ..... **50-8048** \$9.95

± WARNING: Cancer and Reproductive Harm — www.P65Warnings.ca.gov

1999-06 TWIN CAM 88





**S&S** SUPER STOCK

**TOP END REBUILD GASKET KITS FOR S&S® ENGINES FOR BIG TWINS**

Bore Size	Part #	MSRP
S&S 4 $\frac{3}{8}$ "	90-9511*	\$163.95
S&S 4 $\frac{1}{8}$ "	90-9506	\$112.95
4 $\frac{1}{8}$ " Stock Cases	90-9510	\$175.95
4"	90-9505	\$102.95
3 $\frac{7}{8}$ "	90-9504	\$133.95

Kits include: Intake and exhaust seals, head & base gaskets, o-rings, pushrod o-rings, and valve guide seals.  
 \*Does not include intake seals.

MB

2007-'17  
TWIN CAM  
96"/103"/110"

1999-'06  
TWIN CAM  
88"

SPORTSTER, STREET,  
NIGHTSTER, STREET ROD  
& BUELL

TOOLS &  
SHOP  
SUPPLIES

WARRANTY &  
COMPANY  
POLICY

APPENDIX

All reference to HD® part numbers is for identification purposes only. We in no way are implying that any of S&S Cycle's products are original equipment parts or that they are equivalent to the corresponding HD® part number shown.

**.720" & .660" Lift Valve Springs (B3 Cylinder Heads)**

1. Seal, valve guide, intake/exhaust 18001-83B (each) ..... **90-2008** \$8.95  
 8 pack ..... **90-2158** \$23.95
2. Keeper, valve spring, SA ..... **90-2153A** \$9.95
3. Valve spring shim  
 .015" (each) ..... **90-2086** \$6.95  
 5 pack ..... **50-7161** \$10.95  
 .030" (each) ..... **90-2087** \$7.95  
 5 pack ..... **90-2198** \$12.95

**.650" Lift Valve Springs (B2 Cylinder Heads)**

1. Seal, Valve Guide, fits .315" x .554"OD, Viton® (4 pack) ..... **900-0737** \$14.95
2. Keeper, valve spring, Standard, 9° (each) ..... **90-2094-S** \$8.95

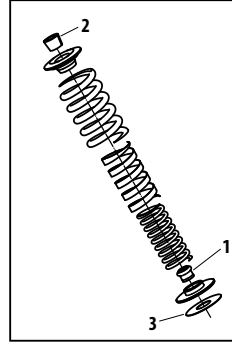
**.650" Lift Sidewinder® Valve Springs (Stock, Super Stock® & CNC Ported Cylinder Heads)**

1. Spring, Valve .650" ..... **106-5689** \$70.95
2. Collar, Top, Steel ..... **106-5690** \$19.95
3. Collar, Bottom, Steel ..... **106-5691** \$14.95
4. Seal, Valve  
 S&S CNC Ported Heads & 2005-up bt w/7mm valve stem ..... **106-5688** \$8.95  
 S&S Super Stock Heads  
 .420" Cast (each) ..... **900-0338** \$7.95  
 .562" Powder Metal (4 pack) ..... **900-0737** \$14.95
5. Keeper, valve spring (2005-Up) ..... **106-5692** \$10.95
6. Valve Spring Shim  
 .015" (each) ..... **500-0013** \$7.95  
 .030" (each) ..... **500-0014** \$7.95

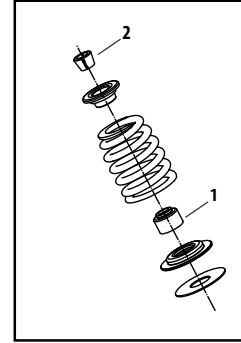
**.585" Lift Valve Springs (Stock, Super Stock® & CNC Ported Cylinder Heads)**

1. Spring, Valve .585" ..... **900-0444** \$40.95
2. Collar, Top ..... **900-0550** \$14.95
3. Collar, Bottom  
 For Stock Heads w/7mm valve stem (includes seal) ..... **900-0590** \$12.95  
 For CNC Ported Heads w/7mm valve stem ..... **900-0549** \$14.95  
 For Super Stock Heads ..... **900-0600** \$10.95
4. Seal, valve guide  
 For Stock Heads w/7mm valve stem (includes bottom collar) ..... **900-0590** \$12.95  
 For CNC Ported Heads w/7mm valve stem ..... **106-5688** \$8.95  
 For Super Stock Heads  
 .420" Cast (each) ..... **900-0338** \$7.95  
 .562" Powdermetal (4 pack) ..... **900-0737** \$14.95
5. Keeper, valve spring  
 For 2005-'17 Stock and CNC Ported Heads ..... **106-5692** \$10.95  
 For Super Stock Heads ..... **90-2094-S** \$8.95
6. Valve spring shim  
 For Stock and CNC Ported Heads  
 .015" ..... **500-0013** \$7.95  
 .030" ..... **500-0014** \$7.95  
 For Super Stock Heads  
 .015" ..... **90-2086** \$6.95  
 .030" ..... **90-2087** \$7.95

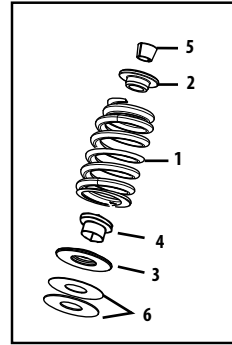
**.720" & .660" Lift Valve Springs**



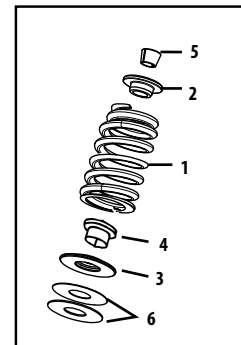
**.650" Lift Valve Springs**



**.650" Lift Sidewinder® Valve Springs**

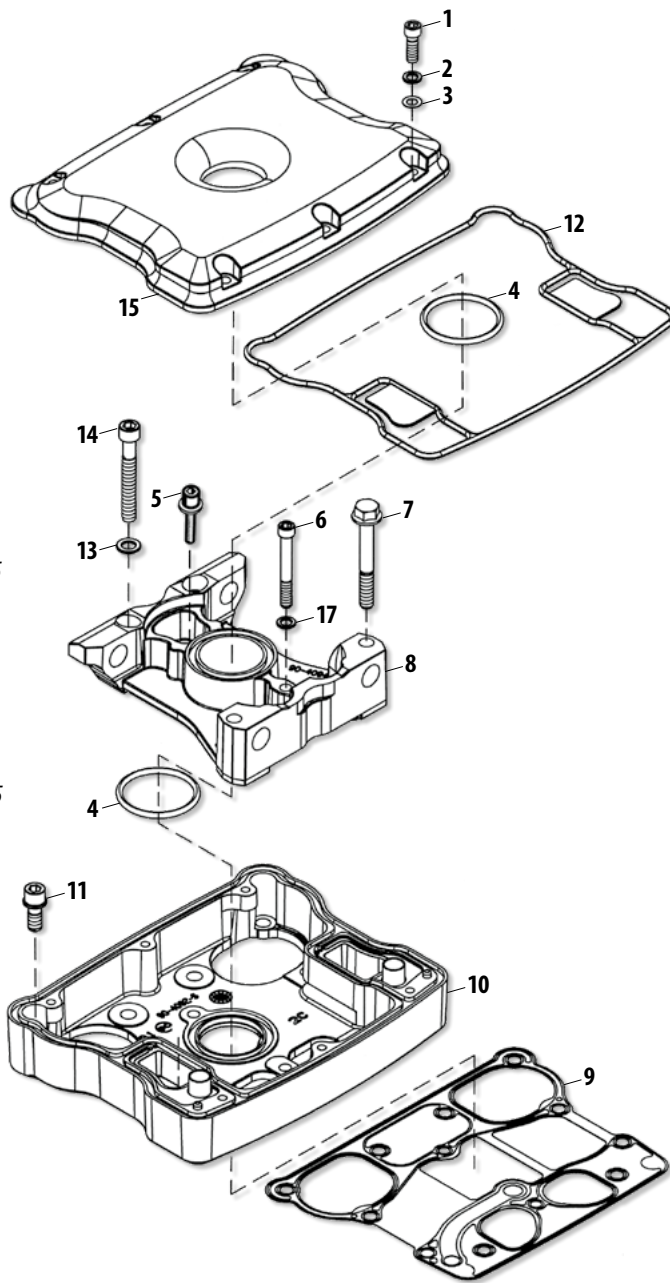


**.585" Lift Valve Springs**



1999-06 TWIN CAM B3

1. Screw, socket head 1/4"-20 x 3/4" 4069A (each) ..... **50-0067** \$7.95
2. Washer, flat 1/4" (each) ..... **50-7017** \$6.95  
12 pack ..... **50-7013** \$12.95
3. Washer, silicone coated 1/4" (each) ..... **50-7015** \$6.95  
8 pack ..... **50-7015-8** \$12.95  
12 pack ..... **50-7015-12** \$15.95
4. Seal, o-ring  
(Included in gasket kit see #16 below.)
5. Screw, socket head, 1/4"-20 x 1" 4741A  
each ..... **50-0092-S** \$7.95  
4 pack ..... **50-0092P** \$10.95
6. Screw, socket head, 1/4"-20 x 2" 25794-36 ..... **50-0013** \$6.95
7. Screw, hex flange head, 5/16"-18 x 2 1/2" 3501 ..... **50-0123** \$7.95
8. Support, rocker arm ..... **90-4140** \$81.95
9. Gasket, rocker cover, Graphite  
For Stock or S&S rocker covers on stock heads 16719-998  
each ..... **90-4071-S** \$12.95  
2 pack ..... **90-4071** \$20.95  
10 pack ..... **90-4099** \$91.95  
For Stock rocker covers on S&S heads (each) ..... **90-4124** \$21.95  
2 pack ..... **90-4120** \$40.95
10. Housing, rocker, Chrome ..... **900-4283±** \$316.95
11. Screw, socket head, 5/16"-18 x 1" ..... **50-0125-S** \$6.95
12. Seal, rocker cover  
(Included in gasket kit see #16 below.)
13. Washer, flat 5/16" (each) ..... **50-7026** \$6.95
14. Screw, socket head 5/16"-18 x 2 1/4"  
each ..... **50-0115-S** \$7.95
15. Cover, rocker, chrome ..... **900-0706±** \$203.95
16. Gasket set - rocker cover, cast (Not Shown) ..... **90-4111** \$71.95
17. Washer, .261" x .474" x .050", Annealed, Stainless Steel ..... **50-7020** \$6.95



All reference to HD® part numbers is for identification purposes only. We in no way are implying that any of S&S Cycle's products are original equipment parts or that they are equivalent to the corresponding HD® part number shown.

± WARNING: Cancer and Reproductive Harm – www.P65Warnings.ca.gov

MB

2007-17  
TWIN CAM  
96"/103"/110"

1999-06  
TWIN CAM  
88"

SPORTSTER, STREET,  
NIGHTSTER, STREET ROD  
& BUIEL

TOOLS &  
SHOP  
SUPPLIES

WARRANTY &  
COMPANY  
POLICY

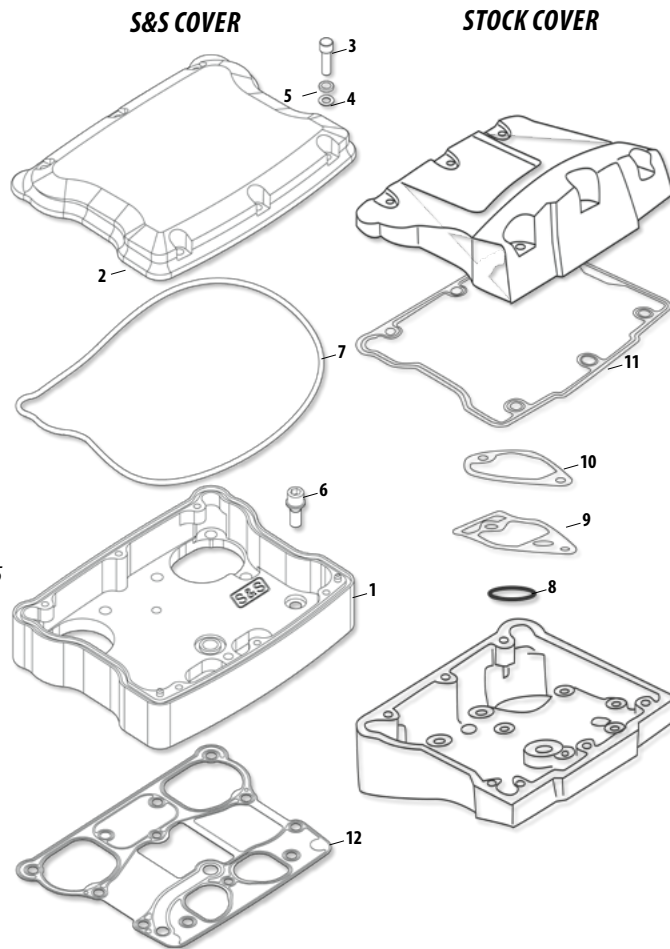
APPENDIX



For 1999–Up Big Twin Engines (Discontinued)

- 1. Base assembly, rocker ..... **N/A**
- 2. Top, rocker cover ..... **N/A**
- 3. Screw, SHCS, 1/4"-20 x 3/4" 4069A (each) ..... **50-0067** \$7.95
- 4. Washer, flat, chrome, 260" x .425" x .060"  
 each ..... **50-7017**± \$6.95  
 12 pack ..... **50-7013**± \$12.95
- 5. Washer, flat, rubber coated, 1/4" x 7/16" x .020"  
 each ..... **50-7015** \$6.95  
 8 pack ..... **50-7015-8** \$12.95  
 12 pack ..... **50-7015-12** \$15.95
- 6. SHCS, 5/16"-18 x 1" with flatwasher ..... **50-0125-S** \$6.95
- 7. O-ring, rocker cover seal, Viton® ..... **50-8050** \$9.95
- 8. O-ring, (-114), .625" ID x .937" OD 11270 ..... **50-8033** \$6.95
- 9. Gasket, Breather Baffle, Stock Pattern, Paper, 1999-'10 bt  
 17162-03, 17592-99 each ..... **90-4078** \$7.95
- 10. Gasket, Breather Cover, Stock Pattern, Paper, 1999-'10 bt  
 17591-99, 17162-03, 17592-99 each ..... **90-4077** \$7.95
- 11. Gasket, Rocker Cover, Steel, 1999-up bt 17386-99A  
 each ..... **90-4096-S** \$17.95
- 12. Gasket, bottom rocker cover  
 each ..... **90-4071-S** \$12.95  
 2 pack ..... **90-4071** \$20.95  
 10 pack ..... **90-4099** \$91.95
- 9. Gasket kit, rocker cover (includes gaskets for 2 rocker covers)  
 For S&S billet rocker covers  
 (includes #5,7,8,9,10,12). ..... **90-4073** \$61.95  
 For 1999-'10 bt  
 (includes #8,9,10,11,12) ..... **90-4097** \$144.95

**N/A = No longer available**



1999-06  
TWIN CAM  
88

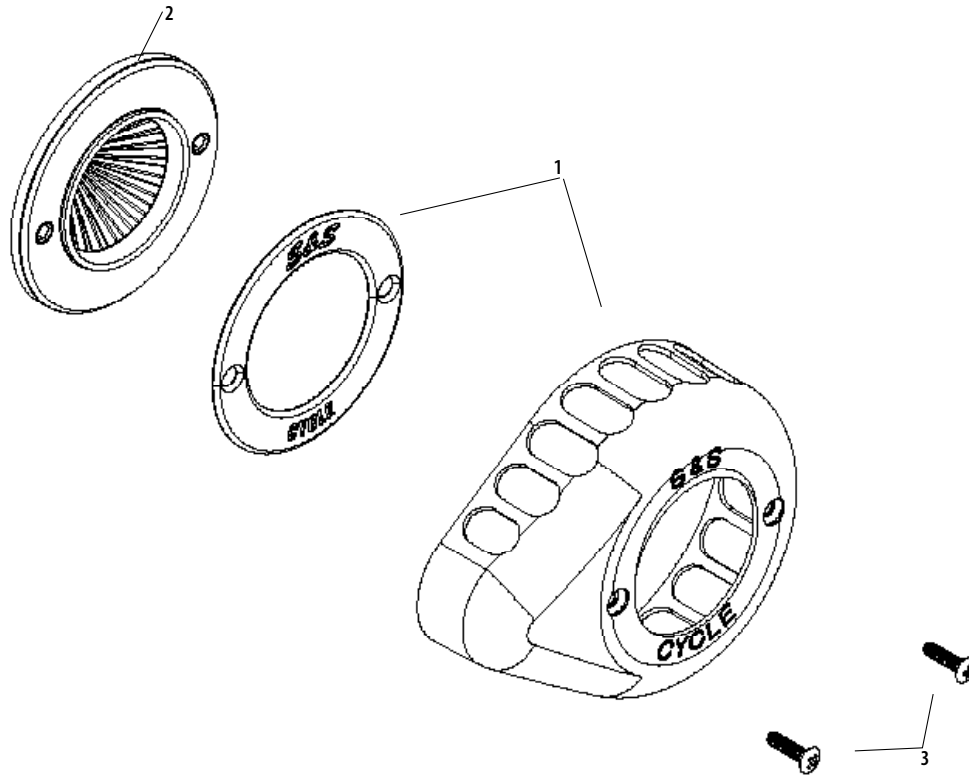
All reference to HD® part numbers is for identification purposes only. We in no way are implying that any of S&S Cycle's products are original equipment parts or that they are equivalent to the corresponding HD® part number shown.

± WARNING: Cancer and Reproductive Harm — www.P65Warnings.ca.gov



Replacement Parts

- 1. Cover
  - Gloss Black Teardrop ..... **170-0686** \$203.95
  - Chrome Teardrop ..... **170-0687** \$203.95
  - Billet S&S Script Ring ..... **170-0502** \$81.95
- 2. Filter ..... **170-0723** \$64.95
- 3. Screws
  - Bright Stainless Steel (2 pack) ..... **500-0657** \$11.95
  - Black (2 pack) ..... **500-0711** \$12.95



MB

2007-'17  
TWIN CAM  
96"/103"/110"

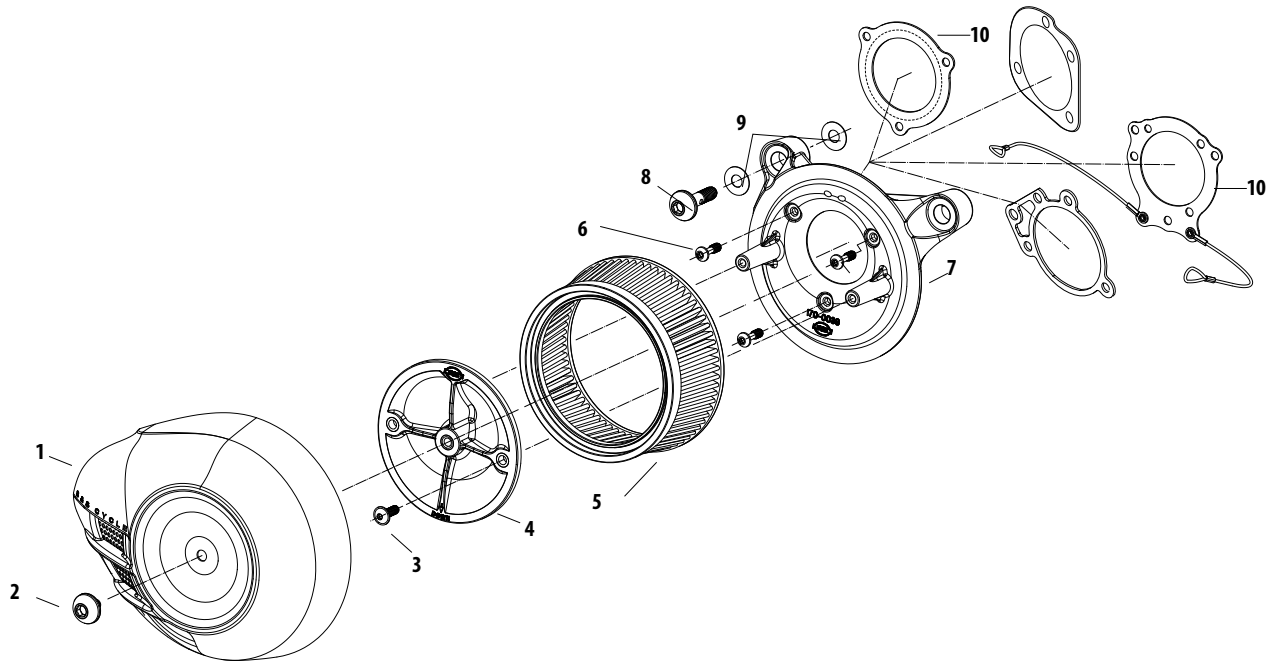
1999-'06  
TWIN CAM  
88"

SPORTSTER, STREET,  
NIGHTSTER, STREET ROD  
& BUELL

TOOLS &  
SHOP  
SUPPLIES

WARRANTY &  
COMPANY  
POLICY

APPENDIX



1999-06  
TWIN CAM  
88

- |   |                  |                           |
|---|------------------|---------------------------|
| 1. Cover, Air Cleaner Airstream   |                  |                           |
| Chrome.....   | <b>170-0118±</b> | \$193.95                  |
| Gloss Black.....  | <b>170-0396</b>  | \$195.95                  |
| 2. Air Cleaner Cover Screw, SHCB, 5/16"-18 UNC X .500" ....                 | <b>170-0508</b>  | \$22.95                   |
| 3. Screw, SHC, Flanged Button, 1/4"-20 UNC x .750" .....                    | <b>500-0060</b>  | <del>\$13.95</del> \$7.95 |
| 4. Top Plate, Air Filter, Molded, Plastic .....                             | <b>170-0026</b>  | \$19.95                   |
| 5. Filter, Air, Tapered,  |                  |                           |
| Standard Pleated, Cotton, Stealth Air Cleaner Kit .....                     | <b>170-0126</b>  | \$61.95                   |
| 1" Taller Pleated, Cotton, Stealth Air Cleaner Kit .....                    | <b>170-0127</b>  | \$91.95                   |
| 1" Taller Pleated, Cotton Filter Only .....                                 | <b>170-0154</b>  | \$61.95                   |
| 6. Screw, SHCB, 1/4"-20 UNC X .825" .....                                   | <b>500-0059</b>  | \$7.95                    |
| 7. Backplate  |                  |                           |
| Stock CV & EFI, Black, Die Cast, 1991-2016 xl .....                         | <b>170-0048</b>  | \$97.95                   |
| 8. Screw, Backplate Vent, SHCB, 3/8"-16 x 1-1/2", Polished, Stainless Steel | <b>500-0506</b>  | <del>\$30.95</del>        |
| 9. Washer, Flat, .520" x .880" x .024", Silicone Coated Steel,              |                  | \$7.95                    |
| each .....  | <b>50-7055</b>   | \$17.95                   |
| 10 pack .....   | <b>50-7057</b>   |                           |
| 10. Gasket, Backplate   |                  |                           |
| Stock CV Carb & EFI Throttle Body, 1991-2016 xl                             |                  | \$8.95                    |
| (except Throttle by Wire) .....   | <b>106-6022</b>  | \$8.95                    |
| Super E/G .....   | <b>106-1724</b>  |                           |

± WARNING: Cancer and Reproductive Harm – www.P65Warnings.ca.gov



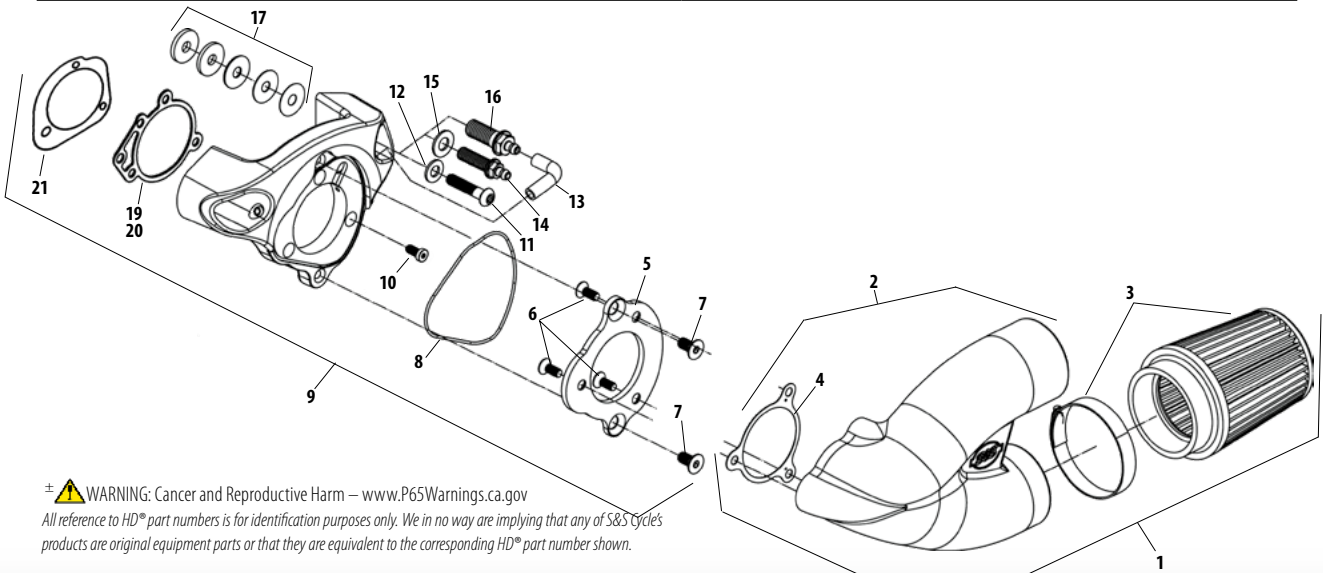
1. Tuned Intake Kit, 2.19" Single Bore with Red Filters..... **N/A** -
2. Tuned Intake Assembly, 2.19" Single Bore  
Chrome Plated..... **106-4970**± \$246.95
3. Air Filter, w/clamp, Stainless Cap – Conical – 2<sup>7</sup>/<sub>16</sub>" I.D. x 4"  
Red (each)..... **17-1020** \$71.95  
Blue (each)..... **17-1023** \$71.95
4. Gasket, Intake – Adapter Plate..... **17-1022** \$10.95
5. Plate, Adapter, 2.19" Single Bore Tuned Intake  
Chrome Steel..... **17-1014** \$83.95
6. FHSC ¼-20 x ⅜" (each)..... **50-0433** \$7.95
7. FHSC ⅝-18 x ⅝" (each)..... **50-0432** \$10.95
8. O-Ring, Adapter Plate Bracket 3<sup>5</sup>/<sub>16</sub>" O.D. x 3<sup>1</sup>/<sub>2</sub>" I.D. ⅛ CS, Viton  
each..... **50-0446** \$8.95
9. Bracket Kit, 2.19" Single Bore Tuned Intake, Chrome  
Super E/G, S&ST124..... **106-4973**± \$530.95  
Super E/G, 1999-'06 BT..... **106-4974**± \$482.95  
Stock Carb, Delphi® EFI, 1984-up BT..... **106-4978**± \$499.95
10. Backplate Screw, SHC, w/Threadlock, ¼-20 x ½" (each)..... **106-2084** \$6.95  
10 pack..... **106-2105** \$12.95
11. Screw, ⅝-18 x 1¼, BHC, Chrome (each)..... **50-0309-S**± \$10.95
12. Flat Washer ⅝" x ⅞" 6320, 70907-07, 6016, 6702..... **50-7034** \$4.95
13. Hose, Breather, ¼" I.D., 90°..... **19-0178A** \$13.95
14. Screw, Breather Fitting, ⅜-16 x 1¼"..... **50-0436** \$20.95
15. Washer, Flat, ⅜" x 1<sup>3</sup>/<sub>16</sub>" x ⅛", Chrome..... **50-7106-S**± \$8.95
16. Screw, Breather Fitting, ½-13 x 1.25..... **50-0435** \$16.95
17. Shim Kit

- (a) ⅝" I.D. S&S 4<sup>1</sup>/<sub>8</sub>" engines..... **17-0314** \$15.95  
Includes:  
.325" x 1" x .018", Stainless Steel (each)..... **50-7038** \$6.95  
.325" x 1" x .030", Stainless Steel (each)..... **50-7039** \$6.95  
.325" x 1" x .048", Stainless Steel (each)..... **50-7040** \$6.95  
.325" x 1" x .105", Stainless Steel (each)..... **50-7041** \$7.95  
.325" x 1" x .125", Stainless Steel (each)..... **50-7042** \$7.95
- (b) ½" I.D. 1993-up BT..... **17-0464** \$23.95  
Includes:  
.515" x 1" x .018", Stainless Steel (each)..... **50-7085** \$7.95  
.515" x 1" x .030", Stainless Steel (each)..... **50-7086** \$6.95  
.515" x 1" x .048", Stainless Steel (each)..... **50-7087** \$7.95  
.515" x 1" x .105", Stainless Steel (each)..... **50-7089** \$7.95  
.515" x 1" x .125", Stainless Steel (each)..... **50-7090** \$9.95
18. Enrichment Device\*, S&S Super E & G carbs..... **N/A** -  
(\*Use in place of enrichment device on air cleaner backplate)
19. Gasket, Backplate – E/G/SBEFI (each)..... **106-1724** \$8.95  
10 pack..... **106-2328** \$40.95
20. Gasket, Backplate, S&S SBEFI 58mm..... **106-4662** \$10.95
21. Gasket, Backplate, Stock carb/Throttle Body 29062-95B..... **106-6022** \$8.95
22. Hardware Kit  
1999-'06 bt, Stock CV & EFI Delphi®  
(includes #7, 8, 10, 11, 12, 13, 14, 15, 16, 17a, 17b, 19, 21).... **17-5098** \$173.95  
1999-'06 bt, Super E/G  
(includes #7, 8, 10, 11, 12, 13, 14, 15, 16, 17a, 17b, 18, 19, 21) **17-5099**± \$144.95  
S&S 4<sup>1</sup>/<sub>8</sub>" Bore Heads (includes #7, 8, 10, 11, 12, 13, 17a, 19)..... **500-0016** \$81.95



**ACCESSORIES**

Description	Part #
Nylon Air Filter Cover	each <b>106-0247</b>
	2 pack <b>106-0248</b>



± **WARNING:** Cancer and Reproductive Harm – www.P65Warnings.ca.gov  
All reference to HD® part numbers is for identification purposes only. We in no way are implying that any of S&S Cycle's products are original equipment parts or that they are equivalent to the corresponding HD® part number shown.

MB

2007-'17  
TWIN CAM  
96"/103"/110"

1999-'06  
TWIN CAM  
88"

SPORTSTER, STREET,  
NIGHTSTER, STREET ROD  
& BUILL

TOOLS &  
SHOP  
SUPPLIES

WARRANTY &  
COMPANY  
POLICY

APPENDIX



For Stock Fuel Systems

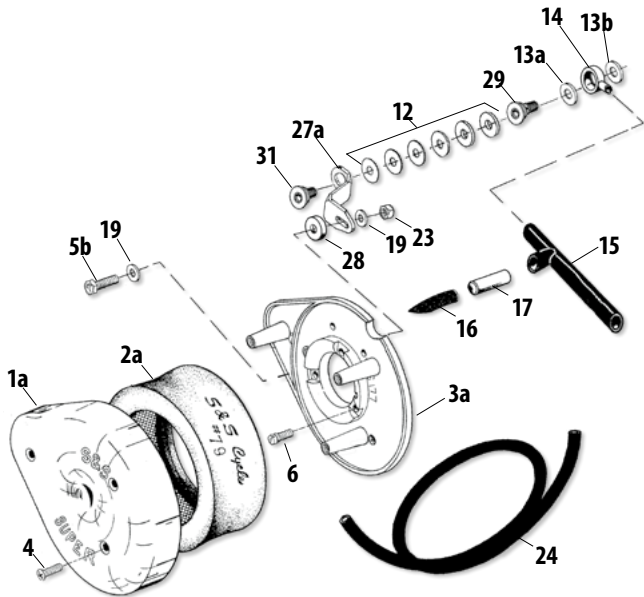
1. Air cleaner cover			
a. Chrome	17-0078±	\$203.95	
b. Chrome	17-0378±	\$193.95	
Gloss Black	170-0384A	\$193.95	
Slasher	17-0004±	\$193.95	
2. Filter Element			
a. Foam	17-0079	\$24.95	
b. Pleated	106-4722	\$30.95	
3. Backplate			
1993-'06 bt, stock CV/Delphi® EFI	106-0907	\$131.95	
4. Cover screw 1305 (each)	50-0072	\$6.95	
3 pack	50-1052	\$8.95	
10 pack	50-0094	\$13.95	
Black 902 (each)	50-0310-S	\$9.95	
3 pack	50-0310	\$15.95	
5. Screw			
b. All others — HHCS ¼"-28 x 7/8"	50-0074	\$4.95	
6. Backplate screw, BT 1999-up, All 2002-up EFI BT			
Zinc Plated (each)	106-2084	\$6.95	
10 pack	106-2105	\$12.95	
7. Backplate plug ⅞"-27 (each)	50-8331A	\$7.95	
10 pack	50-1015	\$15.95	
8. Spacer, 1/2" Hex, Threaded	N/A	—	
9. Stud, Fully Threaded, ⅝-18 x 1.25", Zinc Plated, 1999-'01	N/A	—	
10. SHCS, ¼-20 x ¾ SEMS	50-0066	\$4.95	
11. Screw, SHCS,			
1995-'98, ¼-20 x ¾", SEMS	50-0066	\$4.95	
1999-'01, ⅝-18 x ¾" 3275 (each)	50-0302-S	\$4.95	
12. Shims			
a. ⅝" x .025" (each)	50-7113	\$6.95	
10 pack	50-7110	\$12.95	
b. ⅝" x .050" (each)	50-7114	\$6.95	
10 pack	50-7111	\$13.95	
c. ⅝" x .075" (each)	50-7115	\$7.95	
10 pack	50-7112	\$16.95	
13. Breather screw seal			
a. BT 1993-'99, All 2002 EFI BT — Washer, .520 (each)	50-7055	\$7.95	
10 pack	50-7057	\$17.95	
b. BT 1999-up, All 2002 EFI BT — Washer, .380 (each)	50-7054	\$7.95	
10 pack	50-7059	\$17.95	
14. Breather fitting (each)	17-0350	\$9.95	
2 pack	17-0355	\$12.95	
15. Crankcase breather vent hose, BT 1999-up	USA 1,2 17-0339	\$14.95	
16. Vent hose, with angle cut	17-0365	\$8.95	
17. Hose fitting	17-0336C-S	\$12.95	
18. Hose, vent, breather, formed,			
.250" x .375" x 1.825", 1993-2007 BT (each)	17-0364A	\$10.95	
19. Flatwasher, ¼" 6194, 6245, 6703, 6736, 6228W, 6192 (each)	50-7021	\$6.95	
20. Washer, Lock, .250" 7035, 7036	50-7019	\$4.95	
21. Screw, SHCS, ¼-20 x 1¼" (each)	50-0008	\$6.95	
22. Support bracket locknut - ¼"-28 x 7/8" (each)	50-5010	\$6.95	
23. Lockwasher, ⅝"	50-7032	\$4.95	
24. Rubber tubing - ¼" x ⅝" x 3'	USA N/A	—	
25. Washer, flat - ⅜" x 7/8" x .146" (each)	50-7053	\$8.95	
26. Washer, Flat, .375" x .875" x .146", Zinc, Steel (each)	50-7053	\$8.95	
27. Support bracket			
a. 1999-up bt & EFI Softail® 2001	N/A	—	
b. 1995-2001 bt, Air Cleaner To Head, Nickel Plated	106-1285	\$17.95	
28. Shim - ¼" x ¾" x .200"	50-7024	\$7.95	
29. Screw vent fitting, BT 1999-up	17-0345	\$27.95	
30. Screw, Breather, +.250" (Rear Head)	17-0348	\$16.95	
31. Screw, Backplate (Rear Head), Socket Panhead			
⅝-24 x .360", Zinc, Alloy Steel	17-0346	\$10.95	
32. Screw, Backplate Vent (Front Head)			
1999-'01, ⅝-18	17-0345	\$27.95	
33. Screw, LSHC ⅝-24, x ½" Stainless Steel Front Head	106-2023	\$17.95	
34. Cover, Breather Screw, Chrome, Aluminum, Front Head	106-2022±	\$40.95	
35. Gasket, backplate (each)	106-1724	\$8.95	
10 pack	106-2328	\$40.95	
36. Adaptor assembly, 1993-'06 bt	106-0881±	\$80.95	
37. Clamp, spring, ⅝"	50-8001	\$4.95	
38. Clamp, Spring, .660" (each)	50-8076-S	\$4.95	
39. Wire tie (N/S)	50-8003	\$6.95	

(N/S) = Not Shown

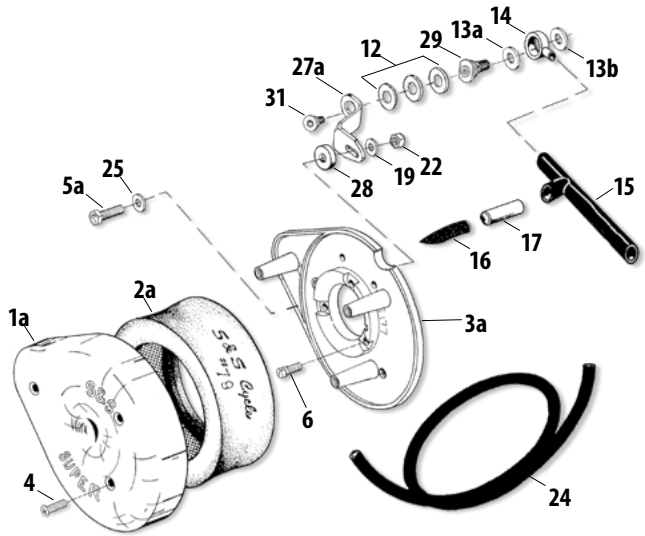
All reference to HD® part numbers is for identification purposes only. We in no way are implying that any of S&S Cycle's products are original equipment parts or that they are equivalent to the corresponding HD® part number shown.

± ⚠ WARNING: Cancer and Reproductive Harm — www.P65Warnings.ca.gov

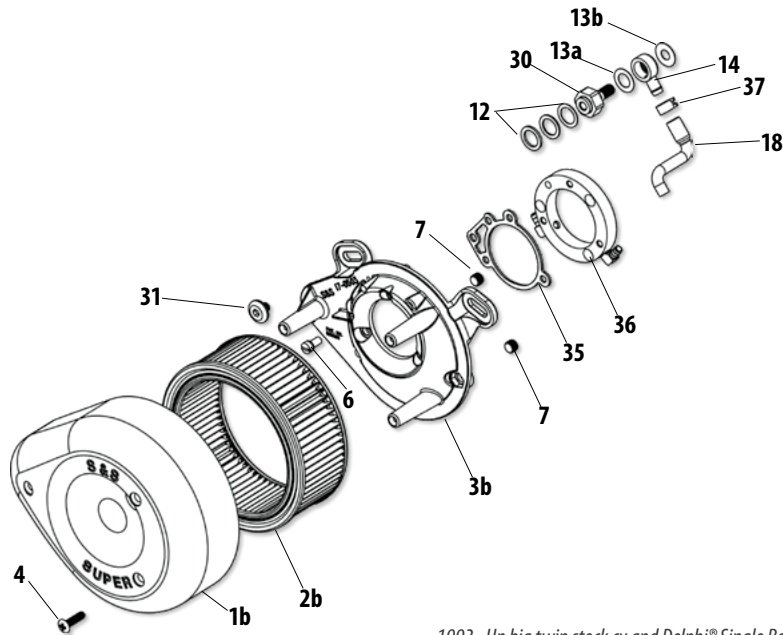




1999–Up big twin with CV Carburetor, 2001 Harley-Davidson® EFI Softail®, & All 2001–'06 EFI Models except Dyna® (Discontinued) **17-0101**



1993–'06 Carbureted big twin models, 2001 EFI Softail® Models, and 2002–Up All EFI Models (except 2006–Up Dyna®) (Discontinued) **17-0117**



1993–Up big twin stock cv and Delphi® Single Bore EFI (except 2008–up touring models) **17-0450±**



For 1999-'06 Big Twins

1. Air cleaner cover –
  - Chrome ..... **17-0378**± \$193.95
  - Gloss Black ..... **170-0384A** \$193.95
  - Slasher ..... **17-0004**± \$193.95
2. Filter Element
  - Pleated ..... **106-4722** \$30.95
3. Backplate
  - 1999-'06 bt ..... **USA<sub>1,2</sub> 17-0336** \$131.95
  - 4 1/8" Bore (Manufactured after 1-1-03) ..... **USA<sub>3</sub> 17-0387** \$131.95
4. Cover screw
  - Chrome (each) ..... **50-0347-S**± \$7.95
  - Stainless Steel 1305 (each) ..... **50-0072** \$6.95
  - 10 pack ..... **50-0094** \$13.95
  - Black 902 (each) ..... **50-0310-S** \$9.95
  - 3 pack ..... **50-0310** \$15.95
5. Backplate screw, Zinc Plated (each) ..... **106-2084** \$6.95
- 10 pack ..... **106-2105** \$12.95
6. Backplate plug 1/8"-27 (each) ..... **50-8331A** \$7.95
- 10 pack ..... **50-1015** \$15.95
7. Screw vent fitting – BT 1999-'06 except 06 Dyna® ..... **17-0345** \$27.95
8. Screw, air cleaner to head ..... **17-0346** \$10.95
9. Fast idle friction washer (each) ..... **50-7035** \$6.95
- 10 pack ..... **50-7058** \$11.95
10. Fast idle steel washer (each) ..... **50-7037** \$6.95
- 10 pack ..... **50-7061** \$8.95
11. Fast idle nylon washer (each) ..... **50-7036** \$6.95
- 10 pack ..... **50-7060** \$8.95
12. Fast idle lever ..... **USA<sub>1,2,3</sub> 17-0329** \$14.95
13. Fast idle brass washer (each) ..... **50-7007**± \$7.95
- 10 pack ..... **50-7010**± \$17.95
14. Fast idle lever screw (one required for current backplate)
  - each ..... **50-0041** \$6.95
  - 10 pack ..... **50-0062** \$9.95
15. Shim, .850" x .325" x .400"
  - S&S 4 1/8" Bore ..... **50-7027** \$9.95
16. Shims
  - a. S&S 4 1/8" Bore, .325" x 1" x
    - .018" (each) ..... **50-7038** \$6.95
    - .030" (each) ..... **50-7039** \$6.95
    - .048" (each) ..... **50-7040** \$6.95
  - b. BT 1993-'06, .625" x .880" x
    - .025" (each) ..... **50-7113** \$6.95
    - 10 pack ..... **50-7110** \$12.95
    - .050" (each) ..... **50-7114** \$6.95
    - 10 pack ..... **50-7111** \$13.95
    - .075" (each) ..... **50-7115** \$7.95

- 10 pack ..... **50-7112** \$16.95
- 17. Screw vent fitting
  - b. BT 1999-up ..... **17-0345** \$27.95
- 18. Washer, silicone coated steel
  - BT 1999-up, .520" (each) ..... **50-7055** \$7.95
  - 10 pack ..... **50-7057** \$17.95
  - BT 1999-up, .380" (each) ..... **50-7054** \$7.95
  - 10 pack ..... **50-7059** \$17.95
- 19. Breather fitting (each) ..... **17-0350** \$9.95
- 2 pack ..... **17-0355** \$12.95
- 20. Crankcase breather hose, BT 1993-'99 ..... **USA<sub>1,2</sub> 17-0339** \$14.95
- 21. Flatwasher – 5/16" x 1/16" 6320, 70907-07, 6016, 6702 ..... **50-7034** \$4.95
- 22. Mounting bracket bolt, S&S 4 1/8" Bore, 5/16"-18 x 1 1/4" ..... **50-0110** \$4.95
- 23. Spring clamps ..... **50-8001** \$4.95
- 24. Clamp, Hose, Bolt Style, 5/8" - 7/8" ..... **50-8002** \$7.95
- 25. Plate, air cleaner noise reducer ..... **17-0389** \$58.95
- 26. Plate, Restrictor, Super E/G TÜV, 1999-up bt ..... **N/A** -
- 27. Rubber isolator mounts (each) ..... **50-8510-S** \$14.95
- 28. Shim, spacers, 1/2" OD x 1/4" ID x .080" (each) ..... **50-7971-S** \$7.95

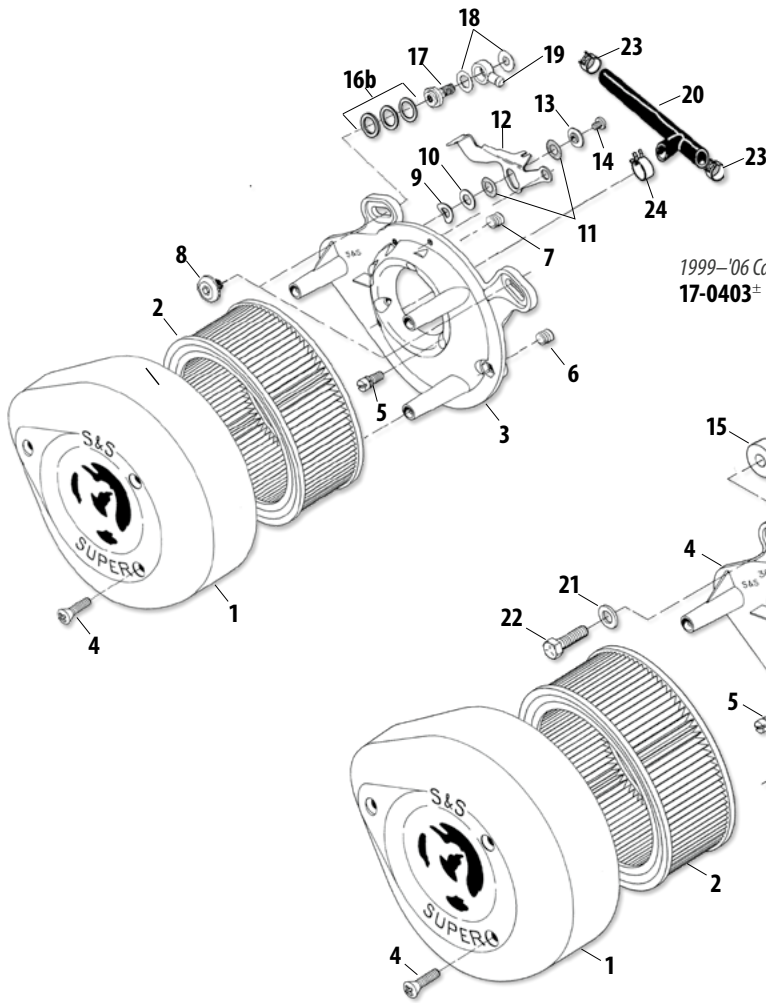
**HARDWARE KITS**

- 29. For Super E/G, 1999-up bt ..... **17-0437**± \$102.95
- For Super E/G, 4-1/8", 1984-'99 bt ..... **17-0460**± \$40.95

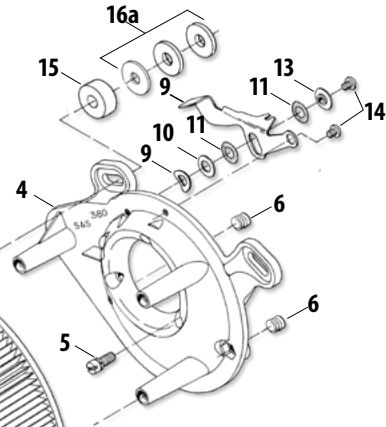
All reference to HD® part numbers is for identification purposes only. We in no way are implying that any of S&S Cycle's products are original equipment parts or that they are equivalent to the corresponding HD® part number shown.

± WARNING: Cancer and Reproductive Harm – www.P65Warnings.ca.gov

1999-'06  
TWIN CAM  
88



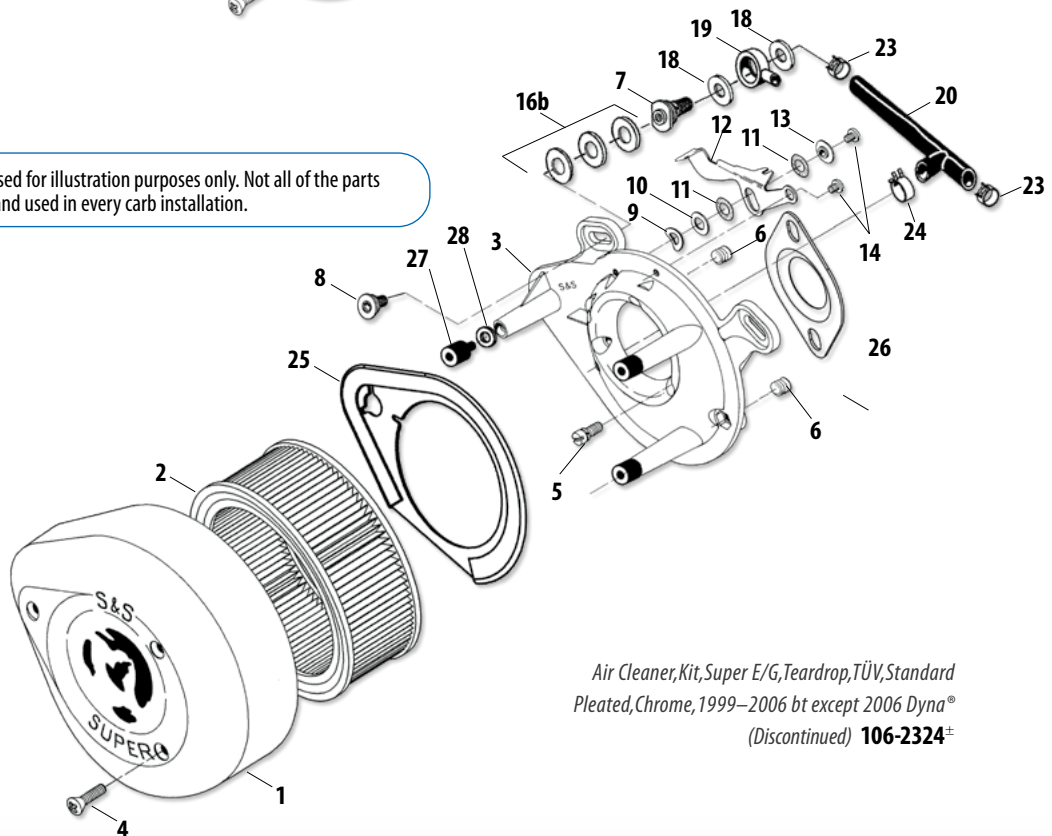
1999-06 Carbureted Harley-Davidson® Twin Cam 88®  
17-0403±



1984-05 big twin 4 1/8" Bore  
17-0416±

**NOTE:**

The line drawing is used for illustration purposes only. Not all of the parts shown are included and used in every carb installation.



Air Cleaner, Kit, Super E/G, Teardrop, TÜV, Standard  
Pleated, Chrome, 1999-2006 bt except 2006 Dyna®  
(Discontinued) 106-2324±

M8

2007-17  
TWIN CAM  
96"/103"/110"

1999-06  
TWIN CAM  
88"

SPORTSTER, STREET,  
NIGHTSTER, STREET ROD  
& BUJEL

TOOLS &  
SHOP  
SUPPLIES

WARRANTY &  
COMPANY  
POLICY

APPENDIX



For S&S® Single Bore Efi

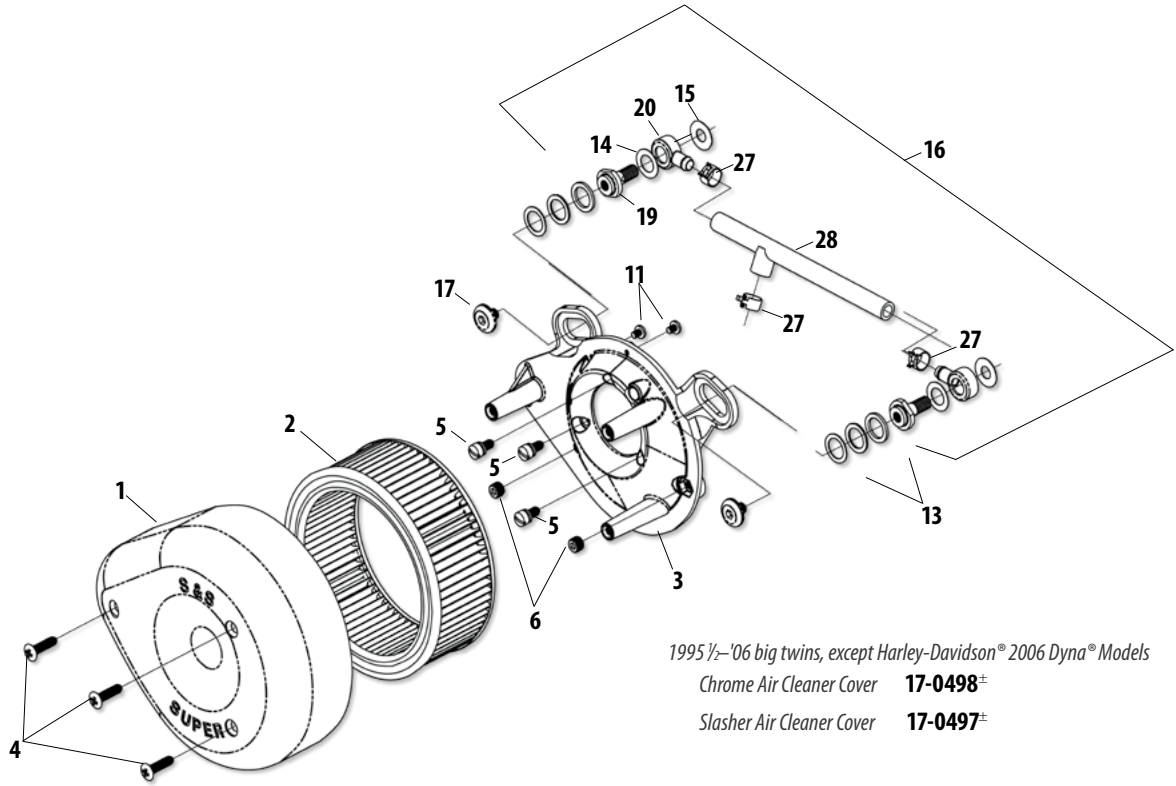
<b>1.</b> Air Cleaner Cover			
Slasher (slotted chrome) .....	<b>17-0004</b> ±	\$193.95	
Chrome .....	<b>17-0378</b> ±	\$193.95	
Gloss Black .....	<b>170-0384A</b>	\$193.95	
<b>2.</b> Element, pleated .....	<b>106-4722</b>	\$30.95	
<b>3.</b> Backplate SBFFI			
BT 1999-up .....	<b>17-0120</b>	\$101.95	
S&S 4 1/8" bore engines .....	<b>17-0380</b>	\$131.95	
<b>4.</b> Screw, Cover, oval 1/4-20 x 1			
Chrome 1305 (each) .....	<b>50-0072</b> ±	\$6.95	
3 pack .....	<b>50-1052</b> ±	\$8.95	
10 pack .....	<b>50-0094</b> ±	\$13.95	
Black 902 (each) .....	<b>50-0310-S</b>	\$9.95	
3 pack .....	<b>50-0310</b>	\$15.95	
<b>5.</b> Backplate screw			
Zinc Plated (each) .....	<b>106-2084</b>	\$6.95	
10 pack .....	<b>106-2105</b>	\$12.95	
<b>6.</b> Pipe plug, 1/8, air cleaner backplate (each) .....	<b>50-8331A</b>	\$7.95	
10 pack .....	<b>50-1015</b>	\$15.95	
<b>7.</b> Mounting bracket bolt, hex 9/16-18 x 1 1/4 .....	<b>50-0110</b>	\$4.95	
<b>8.</b> Flat washer, 5/16" x 1/16" 6320, 70907-07, 6016, 6702 .....	<b>50-7034</b>	\$4.95	
<b>9.</b> Shim, .850" x .325" x .400" .....	<b>50-7027</b>	\$9.95	
<b>10.</b> Shim kit for 4 1/8" bore .....	<b>17-0314</b>	\$15.95	
Individual shims, .325" x 1" x			
.018" (each) .....	<b>50-7038</b>	\$6.95	
.030" (each) .....	<b>50-7039</b>	\$6.95	
.048" (each) .....	<b>50-7040</b>	\$6.95	
.105" (each) .....	<b>50-7041</b>	\$7.95	
.125" .....	<b>50-7042</b>	\$7.95	
2 pack .....	<b>50-7042P</b>	\$9.95	
<b>11.</b> Screw, cable guide & air cleaner backplate, 10-24 x 1/4 (each) .....	<b>50-0041</b>	\$6.95	
10 pack .....	<b>50-0062</b>	\$9.95	
<b>12.</b> Breather hardware for 4 1/8" bore (Not included in air cleaner kit)	<b>31-2104</b>	\$61.95	
<b>13.</b> Shims, individual			
5/8 x 7/8 x .025 (each) .....	<b>50-7113</b>	\$6.95	
10 pack .....	<b>50-7110</b>	\$12.95	
5/8 x 7/8 x .050 (each) .....	<b>50-7114</b>	\$6.95	
10 pack .....	<b>50-7111</b>	\$13.95	
5/8 x 7/8 x .075 (each) .....	<b>50-7115</b>	\$7.95	
10 pack .....	<b>50-7112</b>	\$16.95	
<b>14.</b> Silicone washer, 1/2" ID (each) .....	<b>50-7055</b>	\$7.95	
10 pack .....	<b>50-7057</b>	\$17.95	
<b>15.</b> Silicone washer, 3/8" ID (each) .....	<b>50-7054</b>	\$7.95	
10 pack .....	<b>50-7059</b>	\$17.95	
<b>16.</b> Breather hardware for 1999-up bt (Not included in air cleaner kit)	<b>17-0455</b>	\$61.95	
<b>17.</b> Screw, wide head, 5/16-24 x .36 .....	<b>17-0346</b>	\$10.95	
<b>18.</b> Air cleaner hardware kit (N/S)			
BT 1999-up .....	<b>17-0482</b>	\$27.95	
S&S 4 1/8" bore .....	<b>17-0481</b>	\$40.95	
<b>19.</b> Breather vent fitting, BT 1999-up .....	<b>17-0345</b>	\$27.95	
<b>20.</b> Breather fitting (each) .....	<b>17-0350</b>	\$9.95	
2 pack .....	<b>17-0355</b>	\$12.95	
<b>21.</b> Check Valve .....	<b>50-8122</b>	\$16.95	
<b>22.</b> Clamp, Spring, .660" .....	<b>50-8076-S</b>	\$4.95	
<b>23.</b> Clamp, Spring, .440" .....	<b>50-8143-S</b>	\$4.95	
<b>24.</b> Hose, Cut To Size, 1875" x 6", Black, Rubber, SAE 30R2 .....	<b>50-8142AS</b>	\$9.95	
<b>25.</b> Hose, Rear, Vent, Breather, Formed, Section 1, SAE J30 .....	<b>50-8262-S</b>	\$21.95	
<b>26.</b> Hose, Rear, Vent, Breather, Formed, Section 2, SAE J30 .....	<b>50-8263-S</b>	\$17.95	
<b>27.</b> Clamp, Spring, 9/16" .....	<b>50-8001</b>	\$4.95	
<b>28.</b> Hose, Vent, Breather, Epichlorohydrin Polymer .....	<b>USA 17-0339</b>	\$14.95	

(N/S) = Not shown

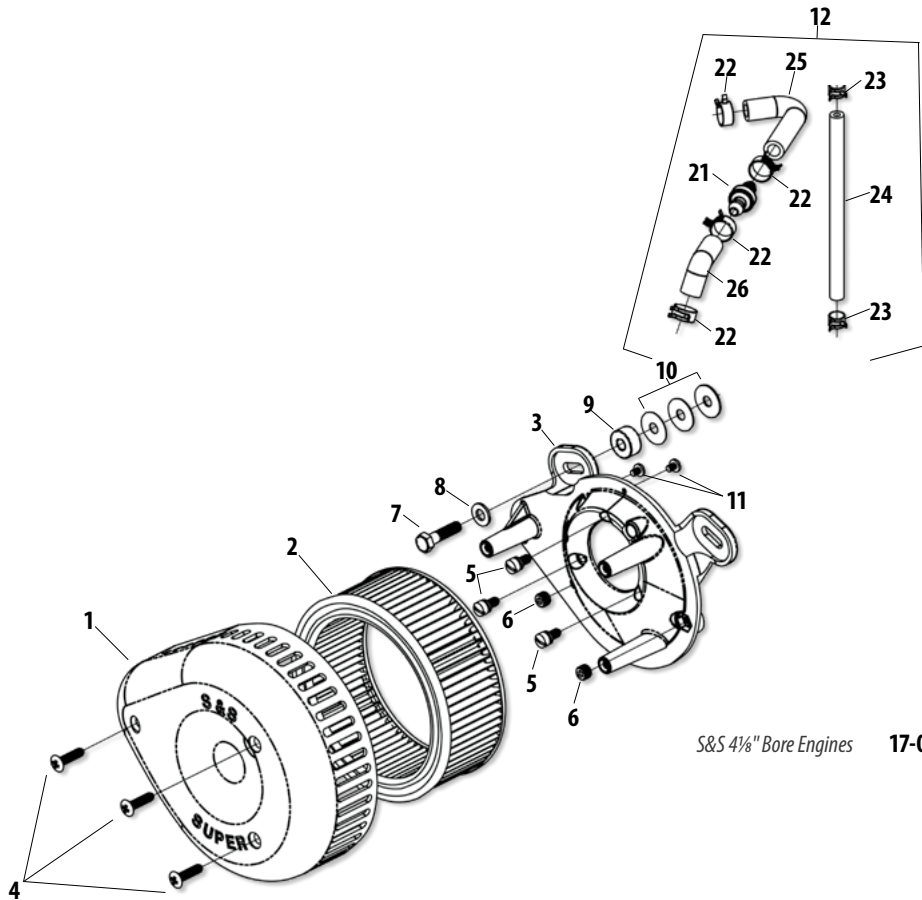
**NOTE:**

Breather hardware not included in these air cleaner kits.

All reference to HD® part numbers is for identification purposes only. We in no way are implying that any of S&S Cycle's products are original equipment parts or that they are equivalent to the corresponding HD® part number shown.



1995 1/2-06 big twins, except Harley-Davidson® 2006 Dyna® Models  
 Chrome Air Cleaner Cover **17-0498**±  
 Slasher Air Cleaner Cover **17-0497**±



S&S 4 1/8" Bore Engines **17-0496**

M8

2007-17  
TWIN CAM  
96"/103"/110"

1999-06  
TWIN CAM  
88"

SPORTSTER, STREET,  
NIGHTSTER, STREET ROD  
& BUJELL

TOOLS &  
SHOP  
SUPPLIES

WARRANTY &  
COMPANY  
POLICY

APPENDIX



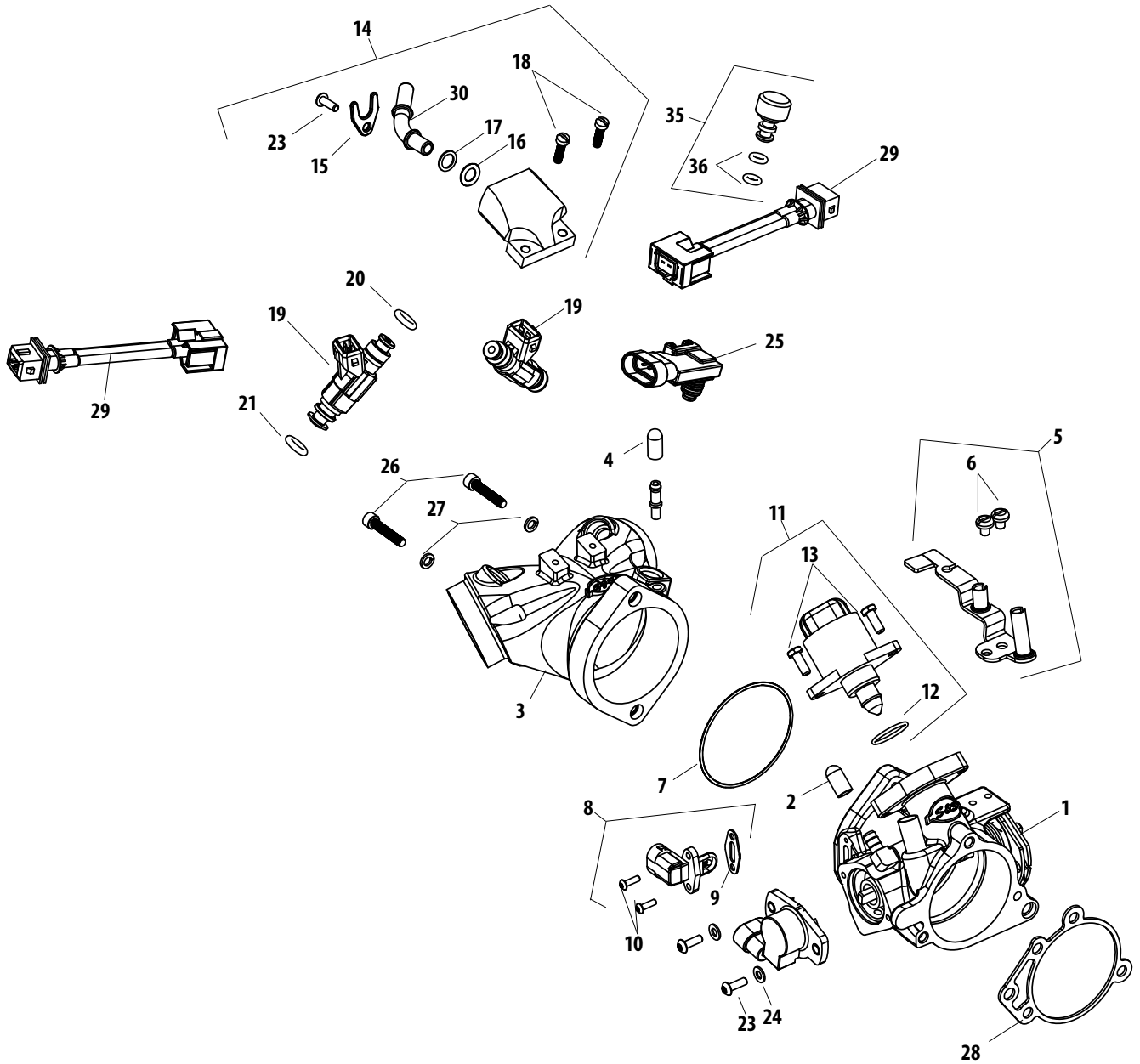
- 1. Throttle body
  - 52mm 1995-'05 ..... **16-5101** \$438.95
  - 52mm 2006-Up ..... **16-5153** \$479.95
  - 58mm 2006-Up ..... **106-3957** \$472.95
- 2. Cap, canister purge (each) ..... **50-8266-S** \$9.95
- 3. Manifold (225)
- 4. Cap, rubber, manifold, fitting ..... **50-8372** \$6.95
- 5. Throttle cable guide packet with hardware ..... **55-5084** \$50.95
- 6. Screw, cable guide & air cleaner backplate (each) ..... **50-0041** \$6.95
- 10 pack ..... **50-0062** \$9.95
- 7. O-ring, throttle body to manifold ..... **50-7967-S** \$7.95
- 8. Intake air temperature sensor with hardware 27270-95 ..... **55-5041±** \$109.95
- 9. Gasket, IAT ..... **16-5009-S** \$9.95
- 10. Screw, M3, IAT ..... **50-0357-S** \$4.95
- 11. Idle air control motor SS EFI with hardware, 1995-'05  
 27628-01, 27628-01A ..... **55-5085±** \$163.95
- 12. O-ring, IAC ..... **50-8149-S** \$6.95
- 13. Screw, 10-24, IAC
  - 1995-'05 (each) ..... **50-0356-S** \$4.95
  - 2006-Up (each) ..... **50-0358-S** \$4.95
- 14. Fuel rail kit
  - 2006-'16 (Fuel inlet tube included) ..... **16-5202** \$141.95
  - 2002-'05 (Fuel inlet tube not included) ..... **16-5203** \$91.95
  - 1995-'01 ..... **16-5207** \$226.95
- 15. Tube clip, fuel rail inlet 2001-'07  
 each ..... **50-0391-S** \$13.95
- 16. O-ring, fuel rail inlet, 2001-'07 27237-95  
 each ..... **50-8137-S** \$6.95
- 17. Backing washer, fuel rail inlet  
 2001-'07 ..... **50-0349-S** \$4.95
- 18. Screw, rail, 1995-Up  
 each ..... **50-0039** \$6.95
- 10 pack ..... **50-0146** \$9.95
- 19. Fuel injector  
 each ..... **55-5052A** \$193.95
- 2 pack ..... **55-5052** \$316.95
- 20. O-ring, injector top, black ..... **50-8264-S** \$7.95
- 21. O-ring, injector bottom, orange ..... **50-8265-S** \$7.95
- 22. Throttle position sensor ..... **N/A** —
- 23. Screw, TP sensor & fuel rail  
 each ..... **50-0358-S** \$4.95
- 25. MAP sensor 32424-98, 32416-10, 32417-10 ..... **55-1090** \$172.95
- 26. Screw, throttle body to manifold  
 each ..... **50-0359-S** \$4.95
- 27. Washer, lock, #10,  
 throttle body to manifold ..... **50-7000** \$4.95
- 28. Gasket, backplate
  - 52mm (each) ..... **106-1724** \$8.95
  - 10 pack ..... **106-2328** \$40.95
  - 58mm (each) ..... **106-4662** \$10.95
- 29. Harness, injector adapter kit
  - 1995-'05 ..... **55-5074** \$25.95
  - 2006-Up ..... **55-5209** \$24.95
- 30. Fuel inlet tube 45°, 2002-up 27221-95 ..... **50-0485** \$30.95
- 31. Spacer, throttle position – 2002-up ..... **55-5201** \$13.95
- 32. Pressure regulator, 1995-'01 ..... **16-5297** \$112.95
- 33. Screw, pressure regulator, 6-32 x 3/16", 1995-'01 ..... **50-0279-S** \$4.95
- 34. Clamps, Hose, ½" diameter, smooth, 1995-'01  
 each ..... **50-8352** \$8.95
- 35. Plug, assembly, MAP sensor hole, 1995-'01 ..... **50-8350** \$19.95
- 36. O-ring, MAP plug, 1995-'01  
 each ..... **50-8133-S** \$4.95

(N/S) = Not Shown

1999-06  
TWIN CAM  
88

All reference to HD® part numbers is for identification purposes only. We in no way are implying that any of S&S Cycle's products are original equipment parts or that they are equivalent to the corresponding HD® part number shown.

⚠ WARNING: Cancer and Reproductive Harm — www.P65Warnings.ca.gov



M8

2007-'17  
TWIN CAM  
96"/103"/110"

1999-'06  
TWIN CAM  
88"

SPORTSTER STREET,  
NIGHTSTER STREET ROD  
& BUELL

TOOLS &  
SHOP  
SUPPLIES

WARRANTY &  
COMPANY  
POLICY

APPENDIX



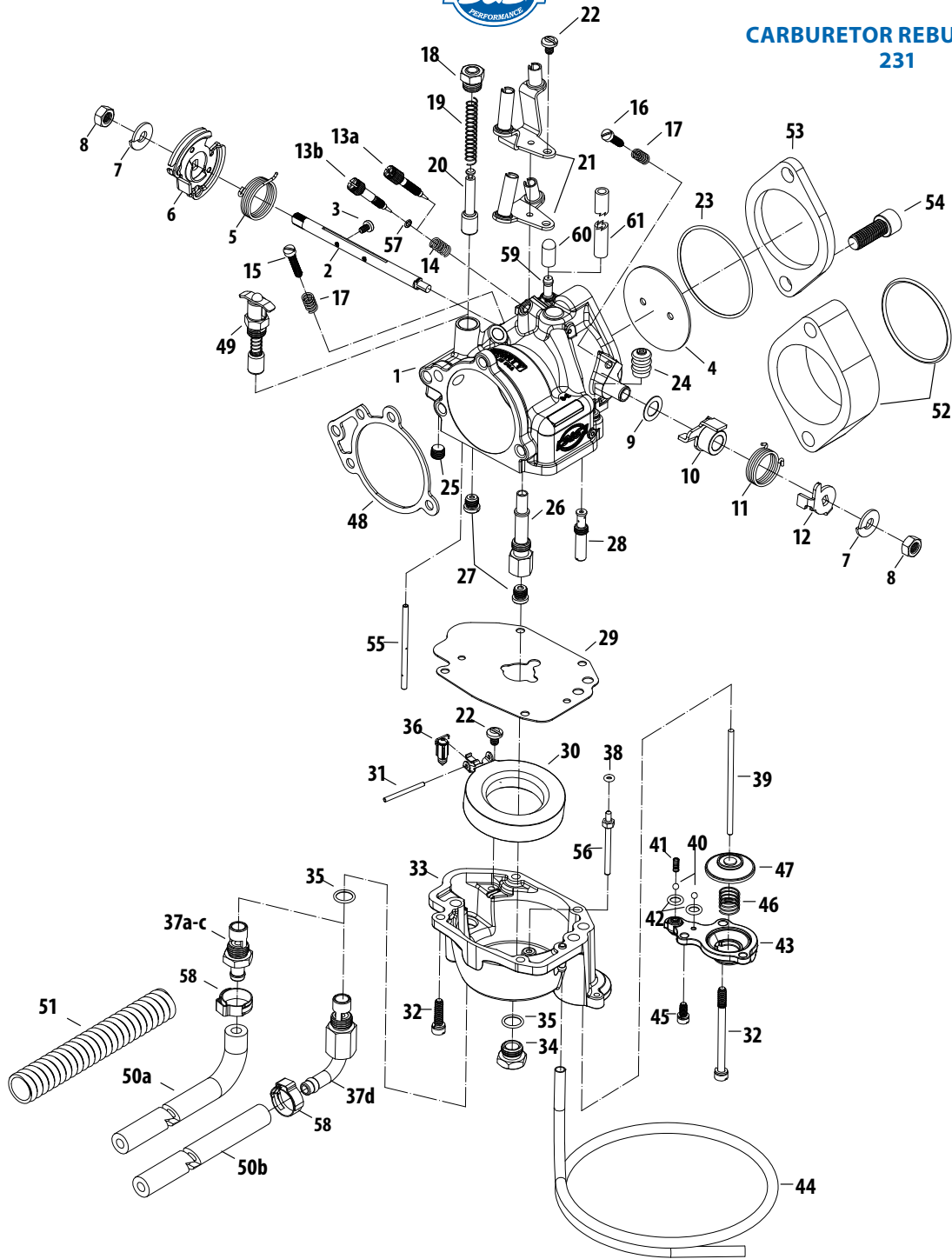
1999-06  
TWIN CAM  
88

- |  |                           |          |
|--|---------------------------|----------|
| 1. Carb body assembly  |                           |          |
| 1 7/8" Super E   | <b>USA</b> 11-2381±       | \$305.95 |
| 2 1/4" Super G   | 11-2391±                  | \$316.95 |
| 2. Throttle shaft  |                           |          |
| 1 7/8" Super E — Includes two plate screws   | 11-2383                   | \$31.95  |
| 2 1/4" Super G — Includes two plate screws   | 11-2483                   | \$28.95  |
| 3. Throttle plate screw 11-2045- (two required) (each)                                   | 50-0055-S                 | \$6.95   |
| 10 pack  | 50-0064                   | \$14.95  |
| 4. Throttle plate  |                           |          |
| 1 7/8" Super E   | 11-2055                   | \$16.95  |
| 2 1/4" Super G   | 11-2355                   | \$21.95  |
| 5. Throttle return spring (each)   | 11-2382                   | \$7.95   |
| 5 Pack   | <b>USA</b> 1,2,3 11-3502  | \$12.95  |
| 6. Throttle spool  | <b>USA</b> 1,2,3 11-2385  | \$23.95  |
| 7. Throttle shaft lock washer (two required)   | 50-7031                   | \$6.95   |
| 8. Throttle shaft nut (two required) (each)  | 11-2350                   | \$7.95   |
| 5 pack   | 11-2363                   | \$12.95  |
| 9. Throttle shaft nylon washer (each)  | 50-7050                   | \$6.95   |
| 10 pack  | 50-7072                   | \$12.95  |
| 10. Pump actuator lever  | 11-2376                   | \$14.95  |
| 11. Actuator spring (each)   | 11-2375-S                 | \$6.95   |
| 5 pack   | <b>USA</b> 1,2,3 11-3501  | \$14.95  |
| 12. Pump actuator arm  | 11-2377                   | \$8.95   |
| 13. Idle mixture screw   |                           |          |
| a. Idle mixture screw, brass (each)  | 11-2354±                  | \$14.95  |
| 5 pack   | 11-2378±                  | \$60.95  |
| b. Idle mixture screw only   |                           |          |
| each   | 110-0003                  | \$16.95  |
| 5 pack   | 110-0069±                 | \$70.95  |
| Idle mixture screw w/500-0036 o-ring   |                           |          |
| each   | 110-0068±                 | \$17.95  |
| 14. Idle mixture screw spring (each)   | 11-2052                   | \$4.95   |
| 10 Pack  | <b>USA</b> 1,2,3 11-2060  | \$12.95  |
| 15. Idle speed screw (each)  | 50-0038                   | \$6.95   |
| 10 Pack  | 50-0150                   | \$13.95  |
| 16. Pump adjustment screw (each)   | 50-0039                   | \$6.95   |
| 10 Pack  | 50-0146                   | \$9.95   |
| 17. Idle speed/pump adjuster spring (each)   | 11-2048                   | \$4.95   |
| 10 pack  | <b>USA</b> 1,2,3 11-2053  | \$12.95  |
| 18. Plunger nut (each)   | 11-2344±                  | \$8.95   |
| 5 Pack   | 11-2372±                  | \$19.95  |
| 19. Plunger spring (each)  | 11-2340                   | \$6.95   |
| 10 Pack  | <b>USA</b> 1,2,3 11-2359  | \$15.95  |
| 20. Fast idle plunger  | 11-2343                   | \$19.95  |
| 21. Cable guide assembly with screw  |                           |          |
| Use with butterfly style cables  | 11-2339P                  | \$40.95  |
| Use with constant velocity style cables  | 11-2338P                  | \$40.95  |
| 22. Cable clamp/float pin screw (each)   | 50-0041                   | \$6.95   |
| 10 Pack  | 50-0062                   | \$9.95   |
| 23. O-ring   |                           |          |
| 1 7/8" Super E (each)  | 50-8016                   | \$6.95   |
| 10 Pack  | 50-8094                   | \$14.95  |
| 2 1/4" Super G (each)  | 50-8015                   | \$7.95   |
| 10 pack  | 50-8093                   | \$15.95  |
| 24. Bellows seal (each)  | 11-2266                   | \$9.95   |
| 5 Pack   | 11-2279                   | \$24.95  |
| 25. Bowl vent plug (each)  | 50-0105                   | \$6.95   |
| 10 pack  | 50-0151                   | \$11.95  |
| 26. Main discharge tube  | 11-2085±                  | \$17.95  |
| 27. Main jet — See Chart on 231  |                           |          |
| 28. Intermediate Jets — See Chart on 230   |                           |          |
| Series #94 fits all Super 1 7/8", 2 1/4", 2 1/4" gas carburetors.                        |                           |          |
| 29. Bowl gasket (each)   | 11-2386                   | \$8.95   |
| 10 pack  |                           |          |
| 30. Float  |                           |          |
| 10 pack  | 11-2387                   | \$40.95  |
| 31. Float pin (each)   | 11-2187                   | \$28.95  |
| 5 Pack   | 11-2369±                  | \$7.95   |
| 10 pack  | 11-2370±                  | \$12.95  |
| 32. Bowl screw   |                           |          |
| 10-24 x 3/4" — Three required (each)   | 50-0034                   | \$6.95   |
| 10 Pack  | 50-0063                   | \$19.95  |
| 10-24 x 2 3/8" — One required (each)   | 50-0040                   | \$6.95   |
| 10 Pack  | 50-0061                   | \$14.95  |
| 33. Carb bowl only   | <b>USA</b> 1,2,3 11-2388± | \$92.95  |
| Carb bowl assembly   | <b>USA</b> 1,2,3 11-2388P | \$214.95 |
| 34. Bowl plug (each)   | 11-2090                   | \$10.95  |
| 5 pack   | 11-2092±                  | \$53.95  |
| 35. Seat o-ring* (required with part #11-2465 only when replaces 360° style fuel inlet.) |                           |          |
| each   | 50-8009                   | \$6.95   |
| 10 pack  | 50-8095                   | \$19.95  |
| 36. Needle   |                           |          |
| 1 7/8" Super E & 2 1/4" Super G  | <b>USA</b> 1,2,3 11-2195± | \$19.95  |
| Racing only  | 11-2197±                  | \$81.95  |
| 37. Seat — Includes O-ring #35   |                           |          |
| (Replaces obsolete seats 11-2347 and 11-2348)  |                           |          |
| a. 1 7/8" E & 2 1/4" G (Uses part #11-2195± needle)                                      | 11-2465                   | \$18.95  |
| b. Racing only (Uses part #11-2197± needle)  | N/A                       | —        |
| c. Racing only — threaded fuel inlet (6AN .157" ID)                                      |                           |          |
| (Uses part #11-2195± needle)   | 11-2395                   | \$50.95  |
| d. Permeation Compliant fuel inlet seat Super E or G                                     |                           |          |
| (Uses part #11-2195± needle)   | <b>USA</b> 1,2,3 106-2011 | \$40.95  |
| 38. Ejector nozzle o-ring (each)   | 50-8011                   | \$7.95   |
| 10 Pack  | 50-8096                   | \$13.95  |
| 39. Pump pushrod (each)  | 11-2373                   | \$11.95  |
| 5 Pack   | <b>USA</b> 1,2,3 11-2393  | \$40.95  |
| 40. Check ball — (two required) (each)   | 50-8090                   | \$6.95   |
| 10 pack  | 50-8125                   | \$10.95  |
| 41. Check ball spring (each)   | 11-2374                   | \$6.95   |
| 5 Pack   | <b>USA</b> 1,2,3 11-2392  | \$14.95  |
| 42. Pump cap o-ring — (two required) (each)  | 50-8012                   | \$6.95   |
| 10 Pack  | 50-8100                   | \$16.95  |
| 43. Pump cap assembly  | <b>USA</b> 1,2,3 11-2389  | \$40.95  |
| 44. Overflow hose per 24" 27369-76 (each)  | <b>USA</b> 19-0262-S      | \$10.95  |
| 5 Pack   | <b>USA</b> 19-0263        | \$40.95  |
| 45. Pump cap screw 8-32 — (two required) (each)  | 50-0042                   | \$6.95   |
| 10 Pack  | 50-0098                   | \$10.95  |
| 46. Diaphragm spring (each)  | 11-2275                   | \$7.95   |
| 10 pack  | <b>USA</b> 1,2,3 11-2278  | \$13.95  |
| 47. Diaphragm  | 11-2282                   | \$21.95  |
| 48. Gasket, backplate (each)   | 106-1724                  | \$8.95   |
| 10 pack  | 106-2328                  | \$40.95  |
| 49. Enrichment device (Use with air horn only)   | 11-2084±                  | \$40.95  |
| 50. Fuel line  |                           |          |
| a. With 90° bend*19"   | N/A                       | —        |
| b. Permeation Compliant Straight, 311" x .563" x 17.5"                                   |                           |          |
| (Use with part #106-2011, 90° seat)  | 190-0001                  | \$13.95  |
| 51. Fuel line insulator — 12"  | <b>USA</b> 1,2,3 19-0172  | \$40.95  |
| 52. Spacer, Kit, w/O-ring  |                           |          |
| 1 7/8" x 1"  | 16-0057*                  | \$81.95  |
| 2 1/4" x 1"  | 16-0357*                  | \$91.95  |
| 2 1/4" x 1"  | 16-0157*                  | \$91.95  |
| *Use with 1" Spacer Block  | 16-0058                   | \$171.95 |
| 53. Insulator Block, Manifold, w/O-ring  |                           |          |
| 1 7/8" x 1/4" Super E  | 16-0491                   | \$40.95  |
| 1 7/8" x 3/8" Super E  | 16-0497                   | \$40.95  |
| 2 1/4" x 1/4" Super G  | 16-0492                   | \$40.95  |
| 2 1/4" x 3/8" Super G  | 16-0498                   | \$41.95  |





**CARBURETOR REBUILD KITS**  
**231**



**54. Screw**

1" x 3/8" -16 (each) .....	<b>50-0161</b>	\$4.95
1 1/4" x 3/8" -16 (each) .....	<b>50-0162</b>	\$6.95
10 pack .....	<b>50-0177</b>	\$15.95
1 3/8" x 3/8" -16 (each) .....	<b>50-0163</b>	\$8.95
5 pack .....	<b>50-0178</b>	\$16.95
2" x 3/8" -16 (each) .....	<b>50-0164</b>	\$7.95
5 pack .....	<b>50-0185</b>	\$20.95
1 1/4" x 1/4" -20 4740A, 3482A (each) .....	<b>50-0008</b>	\$6.95
1 1/2" x 1/4" -20 4718A .....	<b>50-0079</b>	\$4.95
2 1/4" x 1/4" -20 4717A .....	<b>50-0078</b>	\$4.95

<b>55. Tube, Fast Idle Pick-Up, Super E/G, 125" x 2.350", Brass .....</b>	<b>0381F±</b>	\$10.95
<b>56. Tube, Ejector Nozzle, Super E/G, Flared, Brass .....</b>	<b>106-6124±</b>	\$14.95

<b>57. O-ring, 3mm x 5mm x 1mm (each) .....</b>	<b>500-0036</b>	\$6.95
10 pack .....	<b>500-0148</b>	\$12.95
<b>58. Clamp, 3/8" - 7/8" .....</b>	<b>50-8002</b>	\$7.95
<b>59. Hose, Fitting straight, .040" .....</b>	<b>16-0134</b>	\$8.95
<b>60. VOES Fitting Cap .....</b>	<b>50-8372</b>	\$6.95
<b>61. VOES/Oil Return Hose .....</b>	<b>19-0395</b>	\$8.95

\*360° banjo style fuel inlet fitting used on early S&S E&G carbs is no longer available. Replace with one of the inlet/seat fittings listed under #37 on this page. We highly recommend inlet/seat #106-2011.

± **WARNING:** Cancer and Reproductive Harm – www.P65Warnings.ca.gov

All reference to HD® part numbers is for identification purposes only. We in no way are implying that any of S&S Cycle's products are original equipment parts or that they are equivalent to the corresponding HD® part number shown.

M8

2007-17  
TWIN CAM  
96"/103"/110"

1999-06  
TWIN CAM  
88"

SPORTSTER, STREET,  
NIGHTSTER, STREET ROD  
& BUELL

TOOLS &  
SHOP  
SUPPLIES

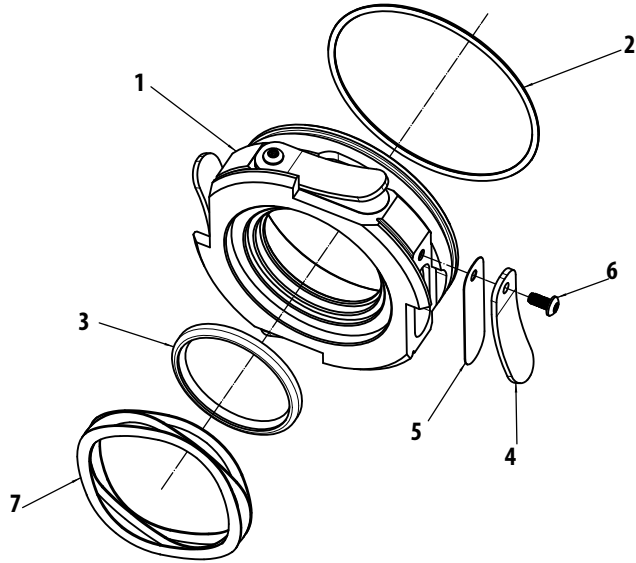
WARRANTY &  
COMPANY  
POLICY

APPENDIX



Replacement Parts

1. Valve, Assembly, Breather Reed  
Engines with Stock Oil Pumps  
1999-'02 bt with stock or S&S Super Stock crankcases  
..... **31-2070** \$163.95  
2003-'10 bt with stock or S&S Super Stock crankcases  
..... **310-0742** \$152.95  
S&S SA Crankcases ..... **310-0742** \$152.95  
Engines with S&S gear oil pumps  
2003-up bt w/stock crankcases and all S&S crankcases  
..... **310-0742** \$152.95
2. O-ring  
1999-'02 bt (-038), 2.614" ID x 2.750" OD, Viton® ... **50-8154-S** \$7.95  
2003-up bt (-036), 2.364" ID x 2.500" OD, Viton® ... **50-8155-S** \$7.95
3. Seal, Breather Reed Valve, 1999-up bt. .... **31-4086** \$22.95
4. Stop, Breather Reed Valve, Packaged, 1984-up bt ..... **N/A** -
5. Reed, Breather Valve, bt (each) ..... **31-2072-S** \$7.95
6. Screw, Torx BH, 4-40 x 1/4", Black, Alloy Steel (each) ..... **50-0305-S** \$4.95
7. Wave Spring, 2"OD X 1.6"ID X .375" ..... **N/A** -
8. Spring Adaptor (for S&S SA Crankcases) (**N/S**) ..... **31-2103\*** \$31.95

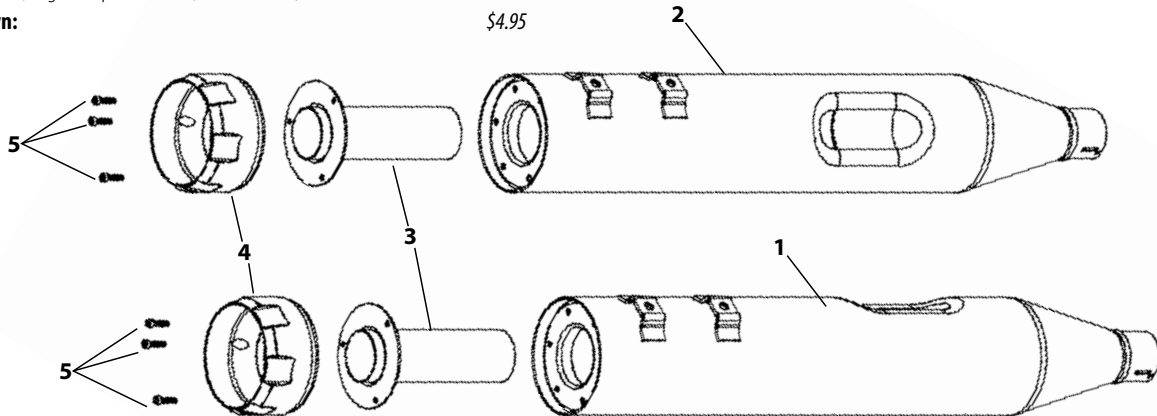


\*Required to accommodate the extra .375" case width of S&S Special Application big bore crankcases.

(N/S) = Not Shown

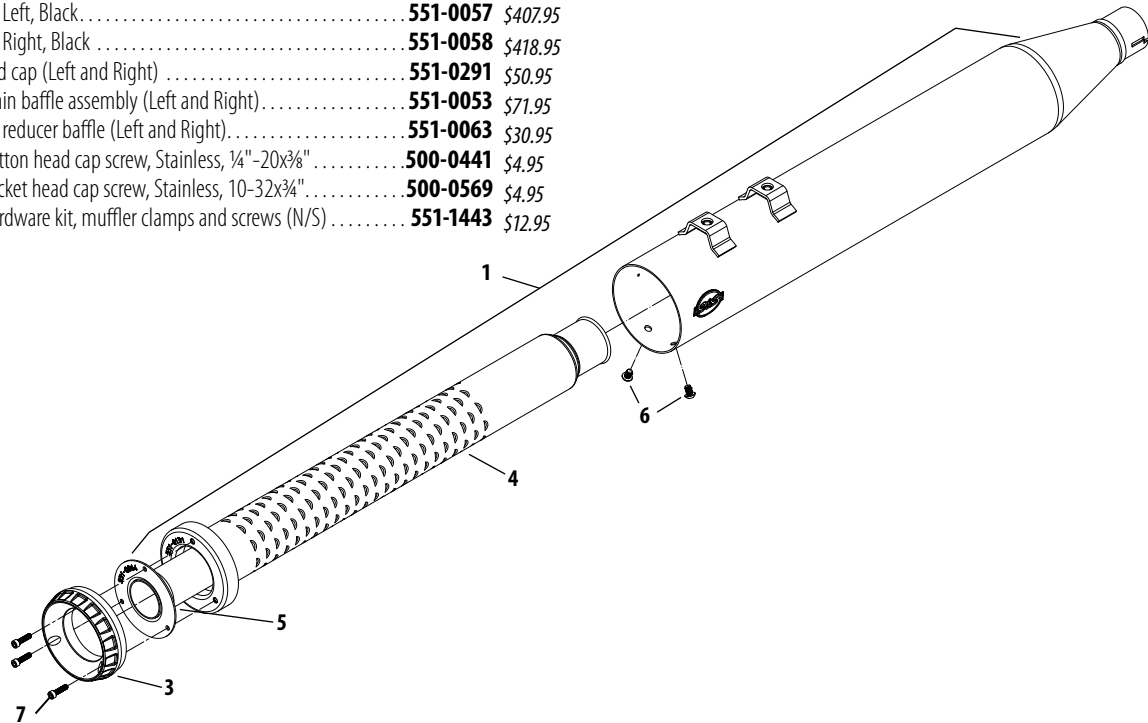
Mk45 4.5" Muffler Replacement Parts

- |  |  |
|--|--|
| 1. Right 4.5" Muffler assembly for 1995-2016 models                                | Hardware kit, muffler clamps and screws              |
| Black ..... <b>551-1264</b> \$346.95   | Left ..... <b>551-1443</b>                           |
| Chrome ..... <b>551-1265</b> \$346.95  | Right ..... <b>551-1444</b> \$12.95                  |
| 2. Left 4.5" Muffler assembly for 1995-2016 models                                 | Baffle ..... \$13.95                                 |
| Black ..... <b>551-1266</b> \$346.95   | Left ..... <b>551-1345</b>                           |
| Chrome ..... <b>551-1267</b> \$346.95  | Right ..... <b>551-1346</b> \$80.95                  |
| 3. dB reducer ..... <b>551-1274</b> \$34.95  | Insulation ..... <b>551-0003</b> \$71.95             |
| 4. End Cap   | Baffle Retaining Screw ..... <b>500-0441</b> \$31.95 |
| Black Thruster ..... <b>551-1337</b> \$65.95                                       | ..... \$4.95   |
| Chrome Thruster ..... <b>551-1338</b> \$163.95                                     |  |
| Black Highlight Machine Tracer ..... <b>551-1645</b> \$132.95                      |  |
| Chrome Tracer ..... <b>551-1646</b> \$183.95                                       |  |
| 5. Screw, SHC, High Temp Lock Patch, 10-32 x 3/4", Stainless Steel <b>500-0569</b> |  |
| <b>Not Shown:</b> ..... \$4.95   |  |



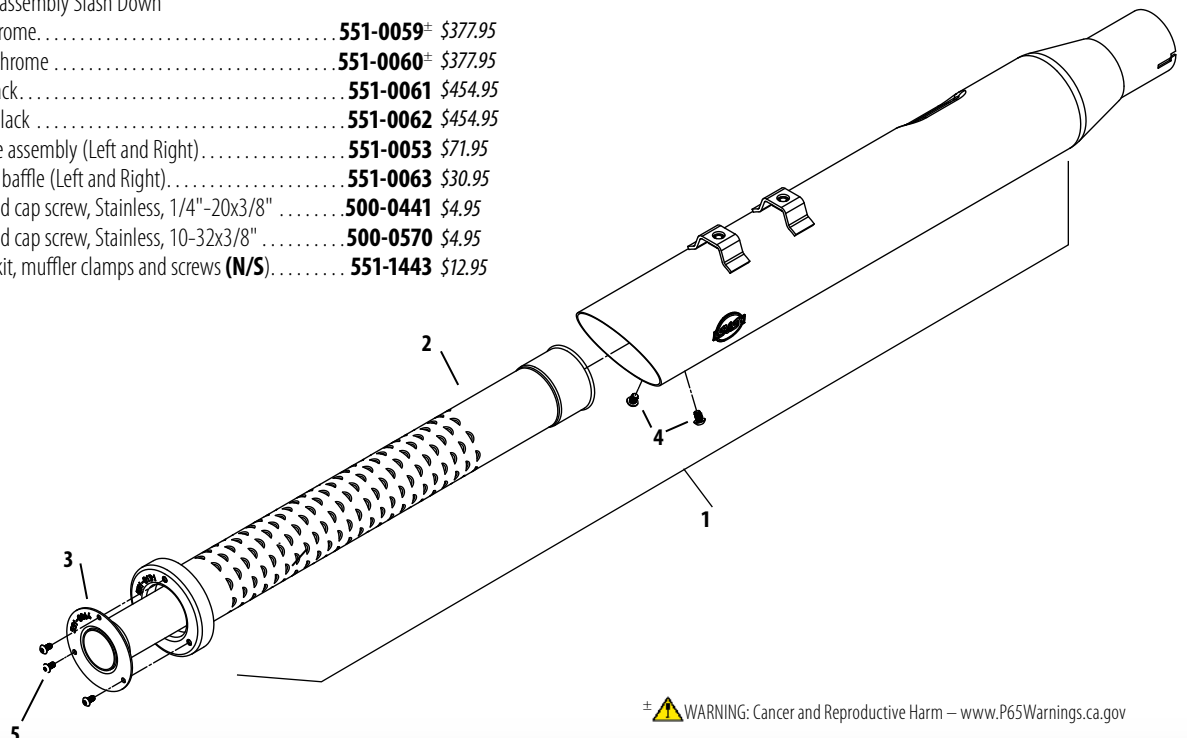
1999-'06 TWIN CAM BB

- 1. 4" Muffler assembly with Grand National end cap
  - Left, Chrome..... **551-0055**± \$346.95
  - Right, Chrome..... **551-0056**± \$346.95
  - Left, Black..... **551-0057** \$407.95
  - Right, Black..... **551-0058** \$418.95
- 3. End cap (Left and Right)..... **551-0291** \$50.95
- 4. Main baffle assembly (Left and Right)..... **551-0053** \$71.95
- 5. dB reducer baffle (Left and Right)..... **551-0063** \$30.95
- 6. Button head cap screw, Stainless, 1/4"-20x3/8"..... **500-0441** \$4.95
- 7. Socket head cap screw, Stainless, 10-32x3/4"..... **500-0569** \$4.95
- 9. Hardware kit, muffler clamps and screws (N/S)..... **551-1443** \$12.95



Slash Cut Slip-Ons 4" Replacement Parts

- 1. 4" Muffler assembly Slash Down
  - Left, Chrome..... **551-0059**± \$377.95
  - Right, Chrome..... **551-0060**± \$377.95
  - Left, Black..... **551-0061** \$454.95
  - Right, Black..... **551-0062** \$454.95
- 2. Main baffle assembly (Left and Right)..... **551-0053** \$71.95
- 3. dB reducer baffle (Left and Right)..... **551-0063** \$30.95
- 4. Button head cap screw, Stainless, 1/4"-20x3/8"..... **500-0441** \$4.95
- 5. Button head cap screw, Stainless, 10-32x3/8"..... **500-0570** \$4.95
- 6. Hardware kit, muffler clamps and screws (N/S)..... **551-1443** \$12.95



⚠ WARNING: Cancer and Reproductive Harm – www.P65Warnings.ca.gov

MB

2007-'17  
TWIN CAM  
96"/103"/110"

1999-'06  
TWIN CAM  
88"

SPORTSTER STREET,  
NIGHTSTER STREET ROD  
& BUELL

TOOLS &  
SHOP  
SUPPLIES

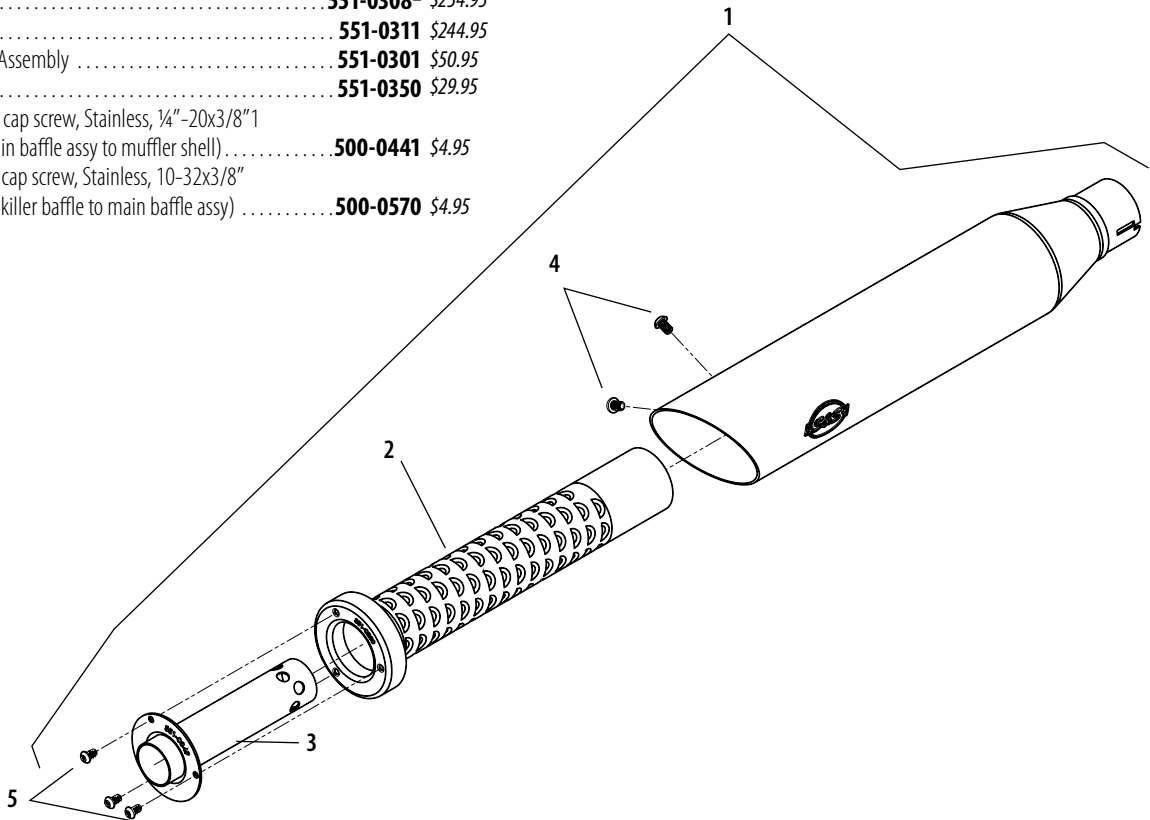
WARRANTY &  
COMPANY  
POLICY

APPENDIX



Replacement Parts

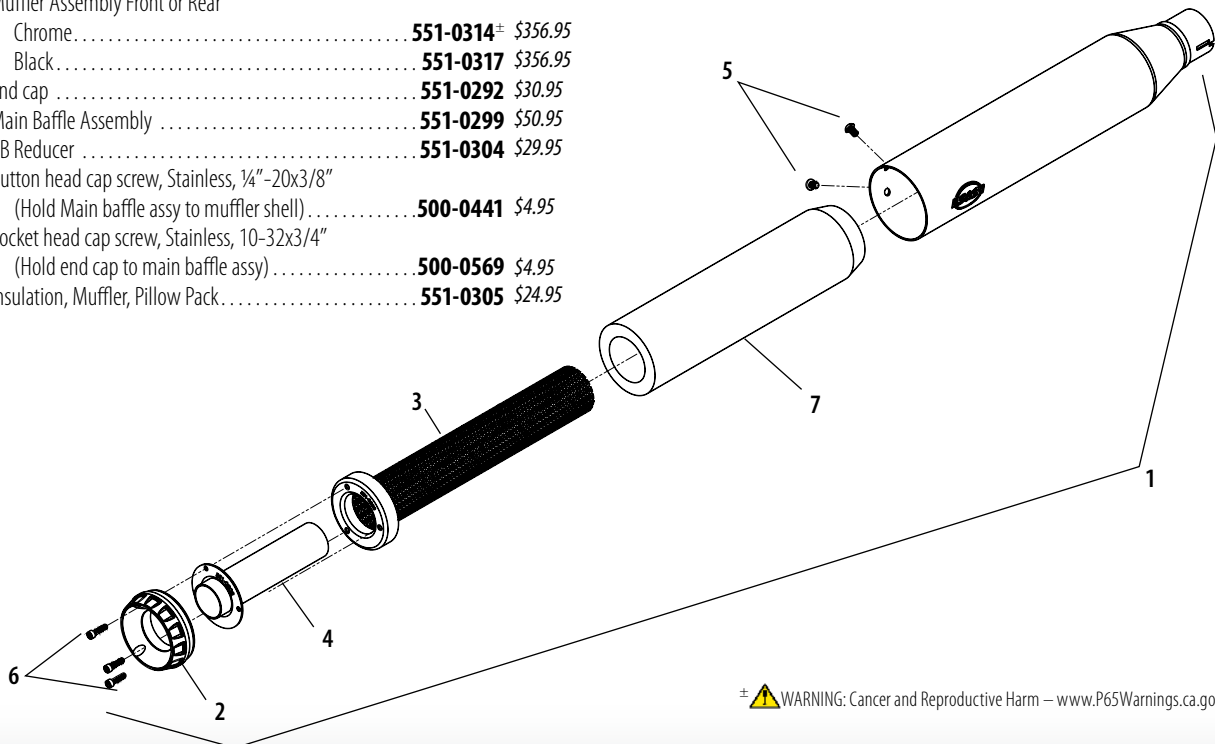
- 1. Slash Cut Muffler Assembly, Front or Rear
  - Chrome ..... **551-0308**± \$254.95
  - Black ..... **551-0311** \$244.95
- 2. Main Baffle Assembly ..... **551-0301** \$50.95
- 3. dB Reducer ..... **551-0350** \$29.95
- 4. Button head cap screw, Stainless, 1/4"-20x3/8"1  
(Hold Main baffle assy to muffler shell) ..... **500-0441** \$4.95
- 5. Socket head cap screw, Stainless, 10-32x3/8"  
(Hold db killer baffle to main baffle assy) ..... **500-0570** \$4.95



1999-06  
TWIN CAM  
88

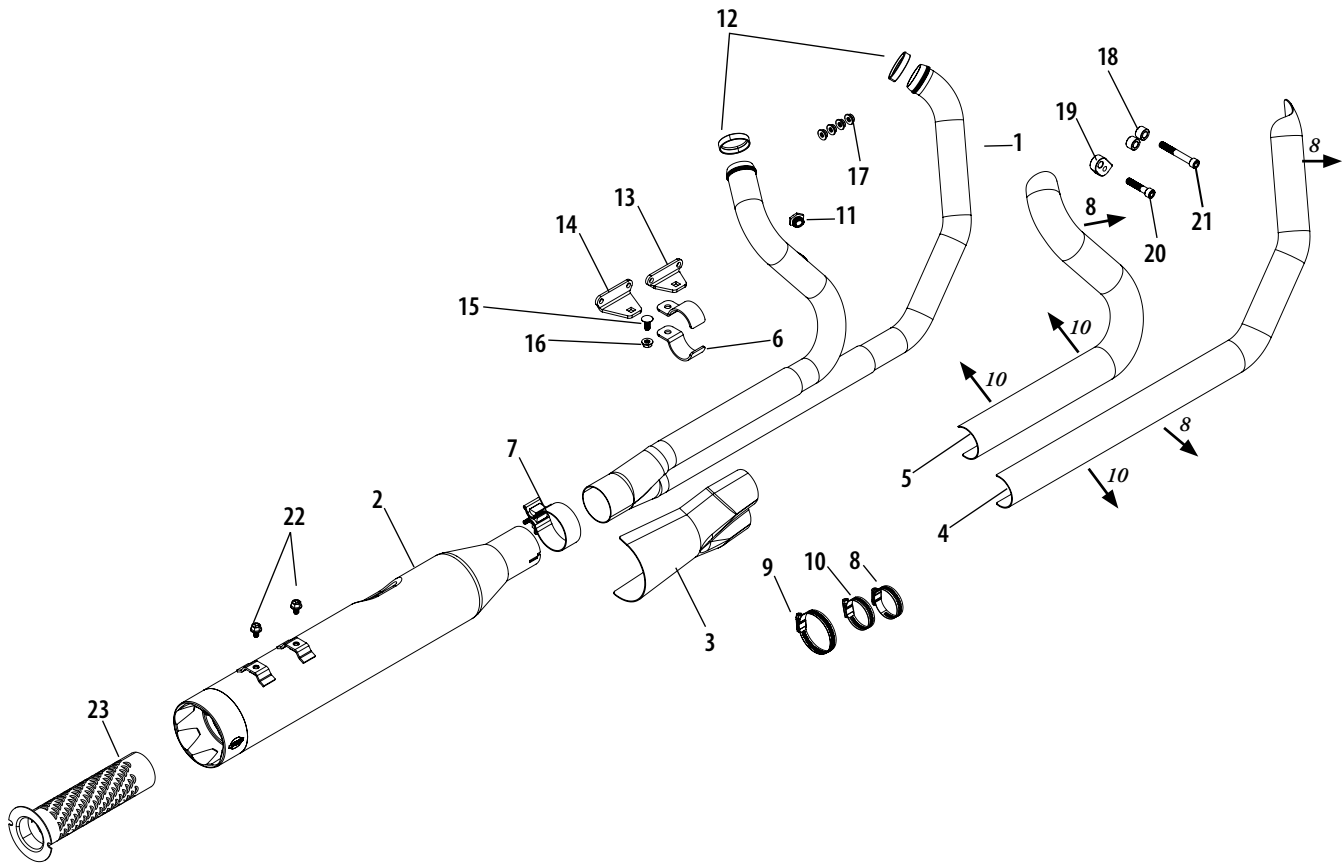
Grand National® Slip-Ons For Dyna® Models Replacement Parts

- 1. Muffler Assembly Front or Rear
  - Chrome ..... **551-0314**± \$356.95
  - Black ..... **551-0317** \$356.95
- 2. End cap ..... **551-0292** \$30.95
- 3. Main Baffle Assembly ..... **551-0299** \$50.95
- 4. dB Reducer ..... **551-0304** \$29.95
- 5. Button head cap screw, Stainless, 1/4"-20x3/8"  
(Hold Main baffle assy to muffler shell) ..... **500-0441** \$4.95
- 6. Socket head cap screw, Stainless, 10-32x3/4"  
(Hold end cap to main baffle assy) ..... **500-0569** \$4.95
- 7. Insulation, Muffler, Pillow Pack ..... **551-0305** \$24.95



± WARNING: Cancer and Reproductive Harm – www.P65Warnings.ca.gov

1. Header, Assembly, 2 into 1, Weldment, 1995-'16 Touring Models	<b>551-0705</b>	1984-up bt, 1986-up xl 65324-838, 65324-83A	<b>106-5029</b>
2. Muffler, Street Legal		3. Collector, heat shield,	
Chrome	<b>551-0529D</b> ±	Chrome	<b>551-0379</b> ±
Black	<b>551-0530D</b> ±	Black	<b>551-0381A</b> ±
3. Collector, heat shield,		4. Heat shield, front, 2-1, Sidewinder®, chrome, 1995-'16 touring models	<b>551-0709</b> ±
Chrome	<b>551-0379</b> ±	Chrome	<b>551-0715A</b> ±
Black	<b>551-0381A</b> ±	Black	<b>551-0712</b> ±
4. Heat shield, front, 2-1, Sidewinder®, chrome, 1995-'16 touring models	<b>551-0709</b> ±	5. Heat shield, rear, 2-1, Sidewinder®, chrome, 1995-2016 touring models	<b>551-0717A</b> ±
Chrome	<b>551-0715A</b> ±	Chrome	<b>551-0712</b> ±
Black	<b>551-0712</b> ±	Black	<b>551-0717A</b> ±
5. Heat shield, rear, 2-1, Sidewinder®, chrome, 1995-2016 touring models	<b>551-0712</b> ±	6. Clamp, header mount, 2-1, chrome plate, mild steel, 11 gauge,	
Chrome	<b>551-0717A</b> ±	(Requires 2)	<b>551-0361</b>
Black	<b>551-0717A</b> ±	7. Clamp, muffler, band style, 2.5"	<b>551-0135</b>
6. Clamp, header mount, 2-1, chrome plate, mild steel, 11 gauge,		8. Clamp, hose, worm drive, SAE #20 (qty. 3)	<b>551-0527</b>
(Requires 2)	<b>551-0361</b>	9. Clamp, hose, worm drive, SAE #40	<b>551-0402</b>
7. Clamp, muffler, band style, 2.5"	<b>551-0135</b>	10. Clamp, hose, worm drive, SAE #24 (qty. 3)	<b>500-0791</b>
8. Clamp, hose, worm drive, SAE #20 (qty. 3)	<b>551-0527</b>	11. Adapter, oxygen sensor, 12mm to 18mm, stainless steel	<b>550-0375</b>
9. Clamp, hose, worm drive, SAE #40	<b>551-0402</b>	12. Gasket, exhaust, tapered, stainless steel,	
10. Clamp, hose, worm drive, SAE #24 (qty. 3)	<b>500-0791</b>	13. Bracket, header mount, 2-1, powdercoated, black,	
11. Adapter, oxygen sensor, 12mm to 18mm, stainless steel	<b>550-0375</b>	2007-'16 touring models	<b>551-0719</b>
12. Gasket, exhaust, tapered, stainless steel,		14. Bracket, header mount, 2-1, powdercoated, black,	
		1995-'06 touring	<b>551-0786</b>
		15. Bolt, carriage, 5/16-18 x 3/4"	<b>500-0555</b>
		16. Nut, HSFH, 5/16-18 unc-2b x .283", Zinc, steel	<b>50-5053-S</b>
		17. Nut, HSFH, 5/16-24 unf-2b x .283", Zinc, steel	<b>50-5025-S</b>
		18. Washer, Spacer, Floor Board	<b>551-0401</b>
		19. Spacer, floor board, powdercoated, black	<b>551-0399</b>
		20. Screw, shc, 3/8-16 x 1-3/4", zinc, steel	<b>500-0789</b>
		21. Screw, shc, 3/8-16 x 2-3/4", zinc, steel	<b>500-0790</b>
		22. Screw, hh, flg, serrated, 5/16-18 x 1/2"	<b>500-0744</b>
		23. dB reducer	<b>551-0026</b>
			\$28.95



MB

2007-'17  
TWIN CAM  
96"/103"/110"

1999-'06  
TWIN CAM  
88"

SPORTSTER, STREET,  
NIGHTSTER, STREET ROD  
& BUJELL

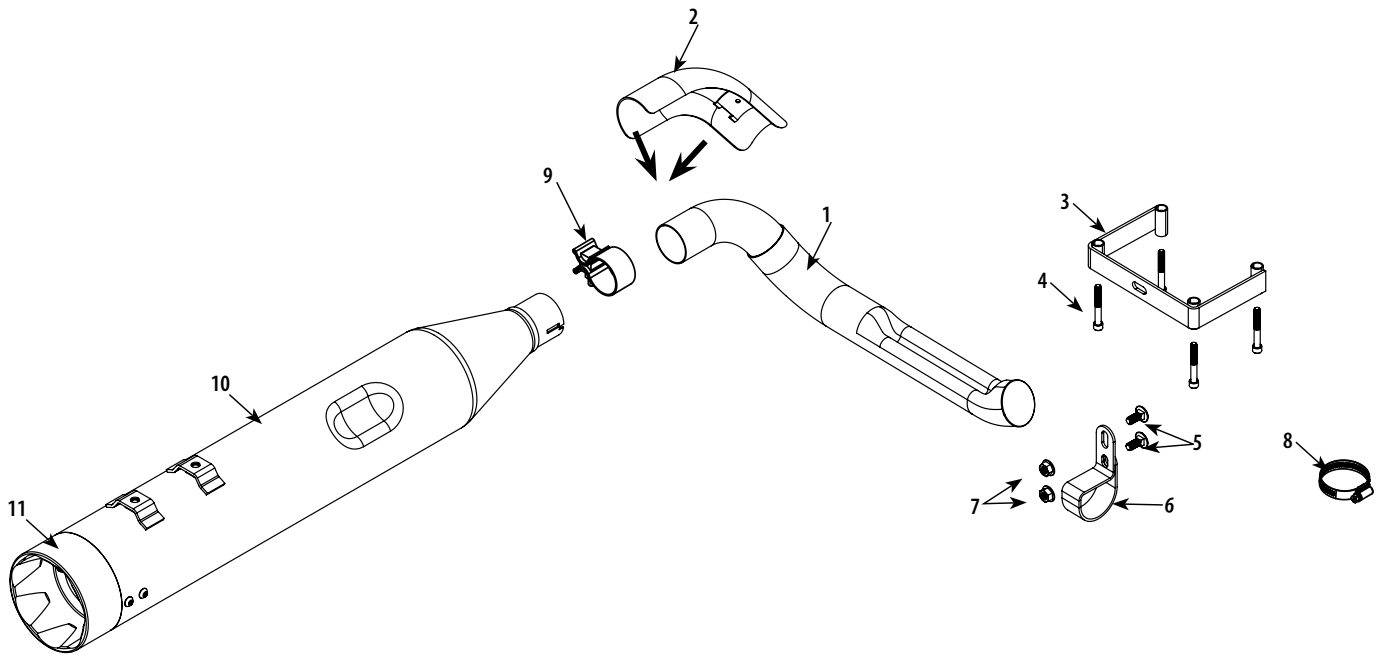
TOOLS &  
SHOP  
SUPPLIES

WARRANTY &  
COMPANY  
POLICY

APPENDIX

For 1995–2008 models

1. Tube, crossover, power tune dual, Weldment,  
1995-2008 Touring (1 Req) ..... **551-0996** \$82.95
2. Shield, left, power tune dual, 1995–2016 Touring (1 Req)  
Chrome ..... **551-0115** \$71.95  
Black ..... **551-0116** \$71.95
3. Bracket, Assembly, Transmission, Pan, Power Tune Dual,  
1995-2008 Touring (1 Req) ..... **551-0126** \$50.95
4. Screw, SHC, 1/4-20 x 17/8", Zinc Plated (4 Req) ..... **500-0641** \$4.95
5. Bolt, carriage, 5/16"-18 x 3/4" ..... **500-0555** \$4.95
6. Clamp, P-Style, Crossover, Power Tune Dual Header,  
1995-2008 Touring (1 Req) ..... **551-0120** \$13.95
7. Nut, Flanged, Serrated, 5/16"-18 (2 Req) ..... **50-5053-S** \$4.95
8. Clamp, Hose, Worm Drive, #20 (2 Req) ..... **551-0527** \$4.95
9. Band style clamp ..... **551-0977** \$9.95
10. Muffler shell  
Chrome ..... **551-1673** \$356.95  
Black ..... **551-1672** \$356.95
11. End Cap ..... **551-1341** \$119.95



1999-06  
TWIN CAM  
88



POWER TUNE® DUAL HEADERS			
Fitment	Finish	Part #	MSRP
1995-'08* big twins	Chrome	<b>550-0003A</b>	<b>\$674.95</b>
	Black	<b>550-0142A</b>	<b>\$744.95</b>

\*Has 18mm sensor fittings in the stock locations for 2007-'08 bikes. If not equipped with oxygen sensors, the ports can be used for tuning. Plugs are included if ports are not used.

NOT LEGAL FOR SALE OR USE IN CALIFORNIA ON ANY POLLUTION CONTROLLED MOTOR VEHICLE. Not legal for sale or use on EPA federal pollution controlled vehicles originally equipped with catalyst. \*Qualified manufacturer declared emissions replacement part on FL touring models listed below. California Models: FL Touring Fuel Injected MY 1995-2003, and 2007 CVO FL Touring MY 2000-2003 49 State Models: FL Touring Carbureted MY 1995-2005 FL Touring Fuel Injected MY 1995-2005 and 2007-2008 CVO FL Touring MY 2000-2005

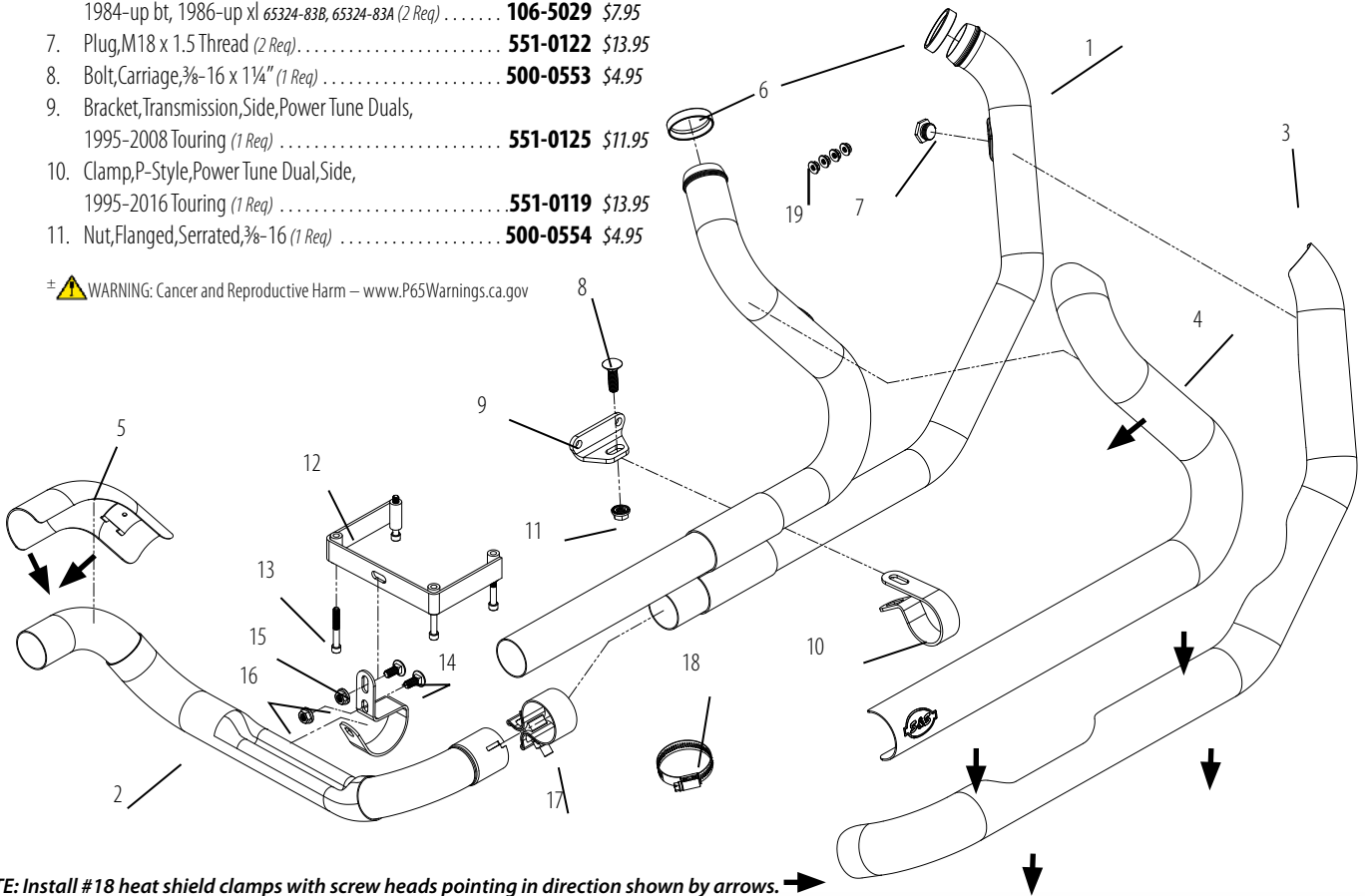
WARNING: Cancer and Reproductive Harm – www.P65Warnings.ca.gov



- Pipe, Header, Power Tune Dual, Weldment, 1999-2008 Touring (1 Req) ..... **551-0083** \$305.95
- Tube, Crossover, Power Tune Dual, Weldment, 1995-2008 Touring (1 Req) ..... **551-0077** \$101.95
- Shield, Front, Power Tune Dual, 1995-2008 Touring (1 Req)
  - Chrome ..... **551-0091±** \$285.95
  - Black ..... **551-0092A** \$302.95
- Shield, Rear, Power Tune Dual, 1995-2016 Touring (1 Req)
  - Chrome ..... **551-0103±** \$241.95
  - Black ..... **551-0104** \$253.95
- Shield, Left, Power Tune Dual, 1995-2016 Touring (1 Req)
  - Chrome ..... **551-0115±** \$71.95
  - Black ..... **551-0116** \$71.95
- Gasket, Exhaust, Tapered, Stainless Steel, 1984-up bt, 1986-up xl 65324-838, 65324-83A (2 Req) ..... **106-5029** \$7.95
- Plug, M18 x 1.5 Thread (2 Req) ..... **551-0122** \$13.95
- Bolt, Carriage, 3/8-16 x 1 1/4" (1 Req) ..... **500-0553** \$4.95
- Bracket, Transmission, Side, Power Tune Duals, 1995-2008 Touring (1 Req) ..... **551-0125** \$11.95
- Clamp, P-Style, Power Tune Dual, Side, 1995-2016 Touring (1 Req) ..... **551-0119** \$13.95
- Nut, Flanged, Serrated, 3/8-16 (1 Req) ..... **500-0554** \$4.95
- Bracket, Assembly, Transmission, Pan, Power Tune Dual, 1995-2008 Touring (1 Req) ..... **551-0126** \$50.95
- Screw, SHC, 1/4-20 x 1 7/8", Zinc Plated (4 Req) ..... **500-0641** \$4.95
- Bolt, Carriage, 3/16-18 x 3/4" (2 Req) ..... **500-0555** \$4.95
- Clamp, P-Style, Crossover, Power Tune Dual Header, 1995-2008 Touring (1 Req) ..... **551-0120** \$13.95
- Nut, Flanged, Serrated, 5/16"-18 (2 Req) ..... **50-5053-S** \$4.95
- Clamp, Muffler, Band Style (1 Req) ..... **551-0569** \$17.95
- Clamp, Hose, Worm Drive, SAE #28 (8 Req) ..... **551-0527** \$4.95
- Nut, HSFH, 5/16-24 7593 ..... **50-5025-S** \$4.95

**Not Shown:**  
 Spacer, Kit, Floor Board, 1995-2008 Touring ..... **551-1132** \$50.95

WARNING: Cancer and Reproductive Harm – www.P65Warnings.ca.gov



NOTE: Install #18 heat shield clamps with screw heads pointing in direction shown by arrows. →

MB

2007-'17 TWIN CAM 96"/103"/110"

1999-'06 TWIN CAM 88"

SPORTSTER, STREET, NIGHTSTER, STREET ROD & BUILL

TOOLS & SHOP SUPPLIES

WARRANTY & COMPANY POLICY

APPENDIX



PISTON RINGS, CHROMOLY FACED							
Bore	Standard	+ .005"	+ .010"	+ .020"	+ .030"		
4.425"	<b>940-0043</b>				<b>940-0044</b>		
4 1/8"	<b>940-0014</b>		<b>940-0012</b>	<b>940-0013</b>	<b>940-0017</b>		
3.937"	<b>940-0032*</b>						
3.927"	<b>106-3709A</b>		<b>106-4422A</b>				
3 7/8" for 106" Stroker	<b>94-1295X</b>	<b>94-1299X</b>	<b>94-1296X</b>	<b>94-1297X</b>			
3 7/8" for 95" Kit	<b>94-1290X</b>	<b>94-1294X</b>	<b>94-1291X</b>				
4"	<b>940-0056†</b>						

\*Only includes one set of rings.  
 †NOT LEGAL FOR SALE OR USE IN CALIFORNIA ON ANY POLLUTION CONTROLLED MOTOR VEHICLE. NOT LEGAL FOR SALE OR USE NATIONWIDE ON ANY FEDERAL POLLUTION CONTROLLED MOTOR VEHICLE UNDER THE CLEAN AIR ACT

REPLACEMENT PISTON WRISTPINS		
Description	Part #	MSRP
For 4.425" Pistons	<b>940-0037</b>	<b>\$27.95</b>
For 4 1/8" Pistons (92-1550 Series)	<b>94-9277</b>	<b>\$40.95</b>
For 4 1/8", 4", 3 7/8", 3.927" Pistons	<b>106-1052</b>	<b>\$32.95</b>
For 3.937" Pistons	<b>940-0032</b>	<b>\$83.95</b>

REPLACEMENT PISTON KEEPERS			
Description		Part #	MSRP
Keeper	<i>each</i>	<b>94-9278-S</b>	<b>\$7.95</b>
	<i>2 pack</i>	<b>94-9278-2</b>	<b>\$10.95</b>
	<i>4 pack</i>	<b>106-2304</b>	<b>\$10.95</b>
Keeper for 4.425"	<i>each</i>	<b>94-9278-S</b>	<b>\$7.95</b>
Wristpin Keeper (.073" Round Wire, .927")	<i>each</i>	<b>940-0063</b>	<b>\$11.95</b>

4-1/8" PISTON RING SET STANDARD SIZE FOR 1984-'99 BT		
Description	Part #	MSRP
For 4.125" Pistons	<b>94-1400X</b>	<b>\$61.95</b>

1999-'06  
TWIN CAM  
88



# SPORTSTER®, STREET®, NIGHTSTER®, STREET ROD™ & BUELL®

## *Performance Kits*

883 to 1200cc Conversion Kit .....	287
1250cc Conversion Kit .....	288
Hooligan .....	286
Performance Kit Overview .....	285

## *Performance Parts*

Air Cleaners .....	278
Camshafts .....	291
Carburetors .....	305
Cylinders & Pistons .....	289
Cylinder Heads .....	302
Electronics .....	311
Flywheels .....	292
Gaskets .....	311
Manifolds .....	310
Mufflers .....	274
Pushrods .....	297
Rocker Arms .....	301
Rocker Covers .....	304
Tappets .....	295
Valve Springs .....	300

## *Replacement Parts* ..... 313





For Street XG750, XG500, & Street Rod®

**FITMENT**

- 2014–'21 Harley-Davidson® Street XG750, XG500, & Street Rod™

**FEATURES AND BENEFITS**

- 10% increase in HP & torque when coupled with S&S® Stealth Air Cleaner Kit
- Race inspired sound & stainless steel baffle
- Black finish matches stock header pipe
- 50-state legal
- Removable dB reducer
- Made in USA!



GRAND NATIONAL SLIP-ONS — 4" MUFFLER FOR 2014–'21 HD® STREET® XG750, XG500 & STREET ROD™		
Description	Part #	MSRP
Black	550-0703	\$336.95
*Qualified Manufacturer Declared Emissions Replacement Part on all 2014-2021 Street Models		
⚠ WARNING: Cancer and Reproductive Harm — www.P65Warnings.ca.gov		



REPLACEMENT PARTS: SEE 314

SPORTSTER, STREET, NIGHTSTER, STREET ROD & BUELL



The S&S R&D team took our proven 2:1 SuperStreet exhaust internals and ported them over to the xl platform. None of the shorty system fluff that kills power, we're here for the gains and this pipe is designed to make power. Highly engineered bends wrap around factory controls (works with mids or forwards), exiting through a stepped header and 4" muffler. The entire system is coated in our latest super durable black and topped off with an aluminum race style end cap

**FITMENT**

- 2007–'13 Sportster® models with forward or mid controls *(does not fit XR models)*
- 2014–'22 Sportster models with forward or mid controls

**FEATURES AND BENEFITS**

- Classic 2-1 styling with world famous S&S performance!
- Fits forward and mid controls
- 50 State legal! CARB EO# K-010-12 for 2014–2022 Sportster models
- Guardian black finish
- Full heat shields on both front and rear headers
- Stainless steel stepped header construction
- Multi-faceted end cap design
- Oxygen sensor ports allow use of wide band or stock O2 sensors
- Made in USA!



SUPERSTREET 2-1		
Year/Fitment	Part #	MSRP
2014–'22 Sportster® models with forward or mid controls	<b>550-0952A†</b>	\$1,295.95
2007–'13 Sportster models with forward or mid controls <i>(does not fit XR models)</i>	<b>550-0951††</b>	\$839.95
†Exempt from emissions tampering regulations on all 2014–2022 Sportster models under CARB EO# K-010-24 ††Qualified manufacturer declared U.S. 50-State legal emissions replacement part on all MY 2007–2013 Sportster models ⚠️ <b>WARNING: Cancer and Reproductive Harm – <a href="http://www.P65Warnings.ca.gov">www.P65Warnings.ca.gov</a></b>		

**REPLACEMENT PARTS: SEE 313**



MB  
2007–'17 TWIN CAM 96"/103"/110"  
1999–'06 TWIN CAM 88"  
SPORTSTER, STREET, NIGHTSTER, STREET ROD & BUELL  
TOOLS & SHOP SUPPLIES  
WARRANTY & COMPANY POLICY  
APPENDIX

For Nightster®



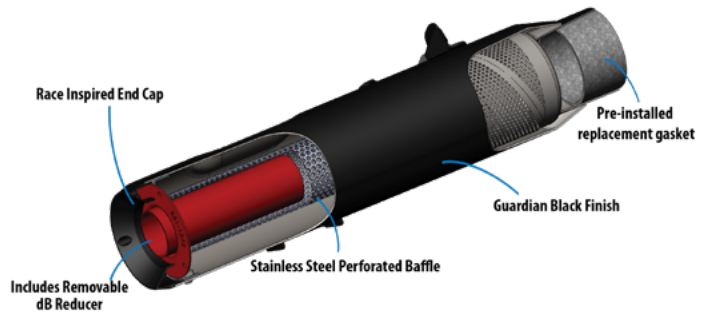
The Nightster provides a look and feel of earlier days of performance based sportsters. The Grand National Nightster slip-on exemplifies that traditional style while leveraging the technology to out perform the competition.

**FITMENT**

- 2022 Harley Davidson® Nightster®

**FEATURES AND BENEFITS**

- Black 4.5" Slip-On
- Grand National Thruster End Cap
- Removable dB Reducer (J2825 compliant)
- Made in the USA



FINISH	S&S PART #	MSRP
Guardian Black	550-1074	\$459.95
*Qualified manufacturer declared U.S. 50-State legal emissions replacement part on MY 2022 Nightster		



1986-21  
SPORTSTER  
& BUELL



The latest Nightster provides a look and feel of the classic Sportster wrapped around a very modern drivetrain. The S&S Grand National slip-on for the Nightster compliments that look while letting the engine breath and adding a proper exhaust note.

**FITMENT**

- 2022 Harley Davidson® Nightster®

**FEATURES AND BENEFITS**

- 4.5" Black Slip-On
- Color matched to factory header and shield
- ECE Certified
- Made in USA!



ECE GRAND NATIONAL 4.5" BLACK SLIP-ON MUFFLER FOR 2022-2023 NIGHTSTER		
Description	Part #	MSRP
ECE Grand National 4.5" black slip-on muffler	550-1088	\$458.95
EU Type-Approval: E9*92R01/02*1007*00 for Nightster		

MB

2007-'17  
TWIN CAM  
96"/103"/110"

1999-'06  
TWIN CAM  
88"

SPORTSTER, STREET,  
NIGHTSTER, STREET ROD  
& BUELL

TOOLS &  
SHOP  
SUPPLIES

WARRANTY &  
COMPANY  
POLICY

APPENDIX



2014–2020 Street® XG750 and XG500

**FITMENT**

- 2014–2020 Street XG750 and XG500

**FEATURES AND BENEFITS**

- 6.7% more horsepower and 11.6% more torque (*AC and Stock Muffler*)
- Increased air flow 290 cfm vs. stock 110 cfm
- Compatible with S&S Stealth air cleaner covers (*except Airstream*)



**MINI TEARDROP STEALTH AIR CLEANER KITS**

KIT INCLUDES STEALTH AIR CLEANER KIT 170-0374C WHICH IS EXEMPT FROM EMISSIONS TAMPERING REGULATIONS UNDER CARB EO# D-355-31

Fitment	Fuel System	Finish	Part #	MSRP
2014–2020 Street XG750 and XG500	Stock Bore	Chrome	<b>170-0445C</b>	<b>\$346.95</b>
		Gloss Black	<b>170-0446C</b>	<b>\$346.95</b>

WARNING: Cancer and Reproductive Harm – [www.P65Warnings.ca.gov](http://www.P65Warnings.ca.gov)

**STEALTH AIR CLEANER KIT FOR 2014–2020 STREET XG750 & XG500** EXEMPT FROM EMISSIONS TAMPERING REGULATIONS UNDER CARB EO# D-355-31

Description	Part #	MSRP
Stealth Air Cleaner Kit for Street	<b>170-0374C</b>	<b>\$203.95</b>



REPLACEMENT PARTS: SEE 332

SPORTSTER, STREET, NIGHTSTER, STREET ROD & BUELL



**FITMENT**

- 2017-'20 Harley-Davidson® Street Rod™

**FEATURES AND BENEFITS**

- 210% increase in flow
- Pair with one of many covers (*cover not included; see next page for options*)
- Cooler, denser air allows for more efficient cylinder fill and better performance
- High-strength synthetic polymer backplate — Designed to reduce heat transfer to intake air
- Pre-filters are available



**MINI TEARDROP STEALTH AIR CLEANER KITS**

KIT INCLUDES STEALTH AIR CLEANER KIT 170-0414C WHICH IS EXEMPT FROM EMISSIONS TAMPERING REGULATIONS UNDER CARB EO# D-355-31

Fitment	Fuel System	Finish	Part #	MSRP
2017-'20 Harley-Davidson® Street Rod™ XG750A	Dual Bore	Gloss Black	<b>170-0444C</b>	<b>\$346.95</b>

WARNING: Cancer and Reproductive Harm — [www.P65Warnings.ca.gov](http://www.P65Warnings.ca.gov)

**STEALTH AC KIT FOR 2017-'20 HD® STREET ROD™** EXEMPT FROM EMISSIONS TAMPERING REGULATIONS UNDER CARB EO# D-355-31

Description	Part #	MSRP
Stealth Air Cleaner Kit	<b>170-0414C</b>	<b>\$193.95</b>



REPLACEMENT PARTS: SEE 333

MB

2007-'17  
TWIN CAM  
96"/103"/110"

1999-'06  
TWIN CAM  
88"

SPORTSTER, STREET,  
NIGHTSTER, STREET ROD  
& BUELL

TOOLS &  
SHOP  
SUPPLIES

WARRANTY &  
COMPANY  
POLICY

APPENDIX



**FITMENT**

- 1991–2021 Harley-Davidson® Sportster® models

**FEATURES AND BENEFITS**

- Pre-filter available —284
- Air directional stinger cone in the filter
- Use with any of several S&S designed covers
- High flow (1" taller) filter kit available — See 284



**AIR STINGER FOR 2007–2021 XL MODELS**

The Air Stinger takes the existing high flow Stealth air cleaner and replaces the air smoothing stinger with a similarly shaped filter element. More filter surface equals 55% gain over a factory filter.

Also available with the classic Mini Teardrop cover in black or chrome or as a replacement cover plate to update your existing Stealth system. The Air Stinger filter element is washable just like the Stealth filters and designed to last for years.



Description	Part #	MSRP
Gloss Black	<b>170-0726A</b>	<b>\$407.95</b>
Chrome	<b>170-0725A</b>	<b>\$407.95</b>
AIR STINGER FILTER ONLY	<b>170-0723A</b>	<b>\$71.95</b>

Exempt from emissions tampering regulations under CARB EO# D-355-45

**⚠ WARNING: Cancer and Reproductive Harm – www.P65Warnings.ca.gov**

SPORTSTER, STREET, NIGHTSTER, STREET ROD & BUELL



**TEARDROP STEALTH AIR CLEANER KIT**

KIT INCLUDES STEALTH AIR CLEANER 170-0302E WHICH IS EXEMPT FROM EMISSIONS TAMPERING REGULATIONS UNDER CARB EO# D-355-44

Application	Fuel System	Finish	Part #	MSRP
2007-'21 xl	Stock EFI	Chrome	<b>170-0526B</b>	<b>\$367.95</b>
		Gloss Black	<b>170-0527B</b>	<b>\$367.95</b>

**⚠ WARNING: Cancer and Reproductive Harm – www.P65Warnings.ca.gov**



**MINI TEARDROP AIR CLEANER KIT**

KIT INCLUDES STEALTH AIR CLEANER 170-0302E WHICH IS EXEMPT FROM EMISSIONS TAMPERING REGULATIONS UNDER CARB EO# D-355-44

Application	Fuel System	Finish	Part #	MSRP
2007-'21 xl	Stock Bore Throttle Body	Chrome	<b>170-0439C</b>	<b>\$367.95</b>
		Gloss Black	<b>170-0440C</b>	<b>\$367.95</b>

**⚠ WARNING: Cancer and Reproductive Harm – www.P65Warnings.ca.gov**



**AIR 1 AIR CLEANER KIT**

KIT INCLUDES STEALTH AIR CLEANER 170-0302E WHICH IS EXEMPT FROM EMISSIONS TAMPERING REGULATIONS UNDER CARB EO# D-355-44

Application	Fuel System	Part #	MSRP
2007-'21 xl	Stock EFI	<b>170-0492C</b>	<b>\$346.95</b>



**TRI-SPOKE AIR CLEANER KIT**

KIT INCLUDES STEALTH AIR CLEANER 170-0302E WHICH IS EXEMPT FROM EMISSIONS TAMPERING REGULATIONS UNDER CARB EO# D-355-41

Application	Fuel System	Part #	MSRP
2007-'21 xl	Stock EFI	<b>170-0490C</b>	<b>\$346.95</b>



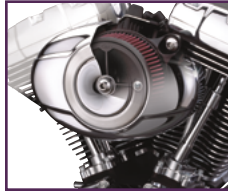


**AIRSTREAM AIR CLEANER KIT**

KIT INCLUDES STEALTH AIR CLEANER 170-0302E WHICH IS EXEMPT FROM EMISSIONS TAMPERING REGULATIONS UNDER CARB EO# D-355-41

Application	Fuel System	Finish	Part #	MSRP
2007-'21 xl	Stock EFI	Chrome	<b>170-0493C</b>	<b>\$346.95</b>

**WARNING:** Cancer and Reproductive Harm – www.P65Warnings.ca.gov



**STEALTH AIR CLEANER KIT\***

EXEMPT FROM EMISSIONS TAMPERING REGULATIONS UNDER CARB EO# D-355-44

Application	Fuel System	Part #	MSRP
2007-'21 xl	Stock EFI	<b>170-0302E</b>	<b>\$195.95</b>

\*These kits do not contain covers – Use an S&S cover, see 282 .



**MINI TEARDROP AIR CLEANER KIT—CHROME**

Fitment	Fuel System	Finish	Part #	MSRP
1991–2006 xl	Stock CV Carb	Chrome	<b>170-0449</b>	<b>\$367.95</b>
		Gloss Black	<b>170-0450</b>	<b>\$367.95</b>

NOT LEGAL FOR SALE OR USE IN CALIFORNIA ON ANY POLLUTION CONTROLLED MOTOR VEHICLE. NOT LEGAL FOR SALE OR USE NATIONWIDE ON ANY FEDERAL POLLUTION CONTROLLED MOTOR VEHICLE UNDER THE CLEAN AIR ACT **WARNING:** Cancer and Reproductive Harm – www.P65Warnings.ca.gov



**STEALTH AIR CLEANER KITS\* — NO COVER**

Application	Fuel System	Part #	MSRP
1991–2006 xl	Stock CV Carb	<b>170-0093</b>	<b>\$195.95</b>

\*These kits do not contain covers—Use an S&S cover, see 282.

NOT LEGAL FOR SALE OR USE IN CALIFORNIA ON ANY POLLUTION CONTROLLED MOTOR VEHICLE. NOT LEGAL FOR SALE OR USE NATIONWIDE ON ANY FEDERAL POLLUTION CONTROLLED MOTOR VEHICLE UNDER THE CLEAN AIR ACT

**NOTE:**

Fuel injection tuning is not required with this product.

**REPLACEMENT PARTS: SEE 323**

**EC Stealth Air Cleaner Kits**

- 2007–2019 883 Harley-Davidson Sportster® Models with EFI (e9 11003G)
- 2007–2019 1200 Harley-Davidson Sportster Models with EFI (e9 11002G)



EC STEALTH AC KITS		
Year/Fitment	Part #	MSRP
2007–2019 / EFI xl 883	<b>170-0329</b>	<b>\$249.95</b>
2007–2019 / EFI xl 1200	<b>170-0330</b>	<b>\$257.95</b>

MB

2007-'17  
TWIN CAM  
96"/103"/110"

1999-'06  
TWIN CAM  
88"

SPORTSTER, STREET,  
NIGHTSTER, STREET ROD  
& BUELL

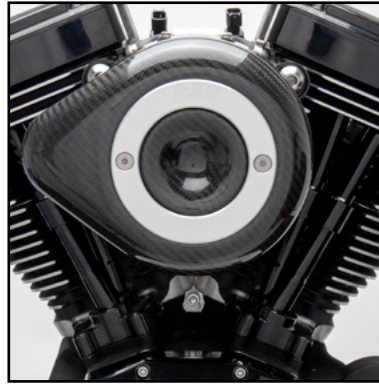
TOOLS &  
SHOP  
SUPPLIES

WARRANTY &  
COMPANY  
POLICY

APPENDIX



Stealth Tribute



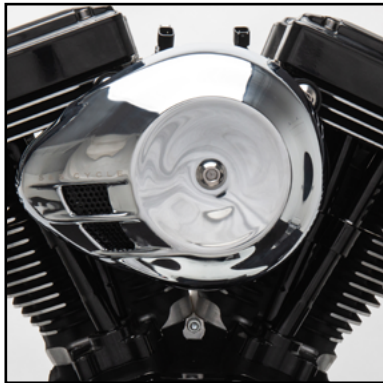
Carbon Fiber



Mini in Gloss Black



Tri-Spoke



Airstream in Chrome



Air 1



Torker

SPORTSTER, STREET, NIGHTSTER, STREET ROD & BUELL

**STEALTH COVERS**

Tribute		Teardrop		Teardrop—Slasher		Carbon Fiber	Mini	
Chrome	Gloss Black	Chrome	Gloss Black	Chrome	Gloss Black	Black	Chrome	Gloss Black
170-0592	170-0593	170-0530	170-0531	170-0532	170-0533	170-0501	170-0367	170-0366
\$203.95	\$203.95	\$205.95	\$203.95	\$216.95	\$214.95	\$356.95	\$203.95	\$203.95

Tri-Spoke	Torker	Air 1	Airstream		Displacement		
Gloss Black w/Highlights	Gloss Black w/Highlights	Gloss Black w/Highlights	Chrome	Gloss Black	111	124	143
170-0210	170-0206	170-0214	170-0118	170-0396	170-0319	170-0321	170-0323
\$193.95	\$193.95	\$193.95	\$193.95	\$195.95	\$203.95	\$203.95	\$203.95

⚠ WARNING: Cancer and Reproductive Harm — www.P65Warnings.ca.gov



**FITMENT**

- 1986–'20 Harley-Davidson® Sportster®
- 1994–'02 Buell®

**FEATURES AND BENEFITS**

- Uniquely designed back plate has air horn style radiused entryway to reduce turbulence
- Dimpled cover with directional air cone inside creates smooth path for air
- Great addition to performance exhaust or cams

**KIT CONTENTS**

- Teardrop Air Cleaner Cover in Chrome or Gloss Black
- Filter
- Backing plate
- All mounting hardware



CLASSIC TEARDROP AIR CLEANER KITS FOR SPORTSTER® MODELS			
EXEMPT FROM EMISSIONS TAMPERING REGULATIONS UNDER CARB EO# D-355-30 FOR ALL FUEL INJECTED MODELS			
Model	Finish	FUEL SYSTEM	
		Stock EFI	MSRP
2007–'20 xl	Chrome	170-0306E	\$329.95
	Gloss Black	170-0307E	\$336.95

⚠️ WARNING: Cancer and Reproductive Harm – www.P65Warnings.ca.gov

CLASSIC TEARDROP AIR CLEANER KITS FOR SPORTSTER® AND BUELL® MODELS					
Model	Finish	FUEL DELIVERY TYPE			
		Stock CV	MSRP	Super E & G	MSRP
2004–2017 xl	Chrome	17-0448	\$329.95	17-0428	\$316.95
	Gloss Black	170-0182A	\$336.95	–	–
1991–'06 HD® Carbureted xl	Chrome	17-0448	\$329.95	17-0404	\$316.95
	Gloss Black	170-0182A	\$336.95	–	–
1986–'90 xl	Chrome	–	–	17-0399	\$316.95

NOT LEGAL FOR SALE OR USE IN CALIFORNIA ON ANY POLLUTION CONTROLLED MOTOR VEHICLE. NOT LEGAL FOR SALE OR USE NATIONWIDE ON ANY FEDERAL POLLUTION CONTROLLED MOTOR VEHICLE UNDER THE CLEAN AIR ACT ⚠️ WARNING: Cancer and Reproductive Harm – www.P65Warnings.ca.gov

**NOTE:**

Fuel delivery (carbureted or EFI) may need to be modified to maintain the correct air and fuel mixture



CLASSIC TEARDROP AIR CLEANER COVERS			
Style	Finish	Part #	MSRP
Classic Teardrop	Chrome	17-0378	\$193.95
	Gloss Black	170-0384A	\$193.95
Slasher Teardrop	Chrome	17-0004	\$193.95
	Gloss Black	170-0419	\$191.95
Nostalgic Teardrop	Polished	17-0071	\$224.95

⚠️ WARNING: Cancer and Reproductive Harm – www.P65Warnings.ca.gov

REPLACEMENT PARTS STARTING ON 326

MB

2007–'17 TWIN CAM 96"/103"/110"

1999–'06 TWIN CAM 88"

SPORTSTER, STREET, NIGHTSTER, STREET ROD & BUELL

TOOLS & SHOP SUPPLIES

WARRANTY & COMPANY POLICY

APPENDIX



**FITMENT**

- S&S® Air Stinger & Stealth Air Filters

**FEATURES AND BENEFITS**

- Water resistant
- Prevents large debris from prematurely clogging filter
- Washable Nylon
- Promotes longer filter life
- Reduces the risk of water entering air intake system



170-0748

**AIR STINGER PRE-FILTERS**

Fitment	Part #
Teardrop	170-0747
Ring	170-0748

**STEALTH PRE-FILTERS**

Fitment	Part #
Standard	170-0193
1" Tall	170-0197



170-0197



170-0747

**High Flow Air Filter Kits**

**FITMENT**

- S&S Classic Teardrop air cleaners for Super E & G carbs and S&S EFI throttle bodies

**FEATURES AND BENEFITS**

- Low restriction filter element comes pre-oiled for true plug and play installation
- 1" wider filtration area provides up to 37% more airflow over standard S&S filters
- Resulting band of exposed filter material imparts a high performance look

**KIT CONTENTS**

- Wide filter
- Filter spacers



170-0127

**HIGH FLOW AIR FILTERS**

Description	Fitment	Part #	MSRP
High Flow Air Filter Kit (includes spacers)	Classic Teardrop	17-0045	\$81.95
	Stealth, 1" Taller	170-0127*	\$91.95
1" Taller Filter Only	Classic Teardrop	106-4724	\$40.95
	Stealth	170-0154	\$61.95
Spacer	Classic Teardrop & Stealth, 1" Taller	50-5009-S	\$19.95

\*NOT LEGAL FOR SALE OR USE IN CALIFORNIA ON ANY POLLUTION CONTROLLED MOTOR VEHICLE. NOT LEGAL FOR SALE OR USE NATIONWIDE ON ANY FEDERAL POLLUTION CONTROLLED MOTOR VEHICLE UNDER THE CLEAN AIR ACT



17-0045

**Standard Replacement Filters**

**STANDARD REPLACEMENT AIR FILTERS**

Description	Fitment	Part #	MSRP
Standard Filter Only	Classic Teardrop	106-4722	\$30.95
	Stealth	170-0126	\$61.95



106-4722

All reference to HD® part numbers is for identification purposes only. We in no way are implying that any of S&S® Cycle's products are original equipment parts or that they are equivalent to the corresponding H-D part number shown.

SPORTSTER, STREET, NIGHTSTER, STREET ROD & BUELL



**1250CC CONVERSION KIT**

This is the largest big bore kit S&S offers for Harley-Davidson® Sportster® models, that can be bolted directly to stock crankcases. Quick and easy to install. Fast on the strip. Over 90 hp typical with S&S exhaust, cams, and CNC ported heads – Using the stock fuel system! (See 288)



**883 TO 1200CC CONVERSION KIT**

Boost any 883cc Harley-Davidson® Sportster® to 1200cc. No machine shop? No problem, no machining is needed. Don't want to rebalance your stock 883cc flywheels? You don't need to since these pistons weigh the same as stock 883 pistons. Cylinder head modification is also not needed. The dished piston dome keeps compression down to a streetable 9.4:1 with stock 883cc heads. Installing this kit takes the same time as replacing a stock top end. It's just more fun when you're done. (See 287)



**HOOLIGAN KIT**

Whether you're racing Hooligan flat-track or just want more power, the S&S Hooligan kits for 2000–'21 Harley-Davidson® Sportster® models will give you an edge on the competition. Boost that 883 to 1200cc. Already running a 1200? Bring it up to 1250cc. Bolt on big bore kits mean easy installation with no machining and no rebalancing. S&S bolt-in cams and premium tappets make the most of the added displacement. (See 286)

MB

2007-'17  
TWIN CAM  
96"/103"/110"

1999-'06  
TWIN CAM  
88"

SPORTSTER, STREET,  
NIGHTSTER, STREET ROD  
& BUELL

TOOLS &  
SHOP  
SUPPLIES

WARRANTY &  
COMPANY  
POLICY

APPENDIX



**FITMENT**

- 2000–'21 Harley-Davidson® Sportster® models

**FEATURES & BENEFITS**

- Easy installation—Bolt-on parts—no machining, no rebalancing
- S&S 482 Cams
- Increase 883cc engines to 1200cc
- Increase 1200cc engines to 1250cc
- Use stock heads, pushrods, and fuel system\*
- Available in wrinkle black or silver powder coat that matches stock finish

*\*For maximum performance gains use with S&S Stealth air cleaner and S&S Slip-on mufflers.*

HOOLIGAN KITS			
Kit	Finish	Part #	MSRP
883cc to 1200cc	Wrinkle Black	<b>910-0699</b>	<b>\$1,742.95</b>
883cc to 1200cc	Silver	<b>910-0700</b>	<b>\$1,742.95</b>
1200cc to 1250cc	Wrinkle Black	<b>910-0701</b>	<b>\$1,709.95</b>
1200cc to 1250cc	Silver	<b>910-0702</b>	<b>\$1,742.95</b>

FOR CLOSED COURSE COMPETITION USE ONLY. NOT INTENDED FOR STREET USE. LEGAL IN CALIFORNIA ONLY FOR RACING VEHICLES WHICH MAY NEVER BE USED, OR REGISTERED OR LICENSED FOR USE, UPON A HIGHWAY. NOT LEGAL FOR SALE OR USE NATIONWIDE ON ANY FEDERAL POLLUTION CONTROLLED MOTOR VEHICLE UNDER THE CLEAN AIR ACT.

**NOTE:**

This kit is not compatible with the stock ignition.

This kit is not compatible with XR1200 models



SPORTSTER, STREET, NIGHTSTER, STREET ROD & BUELL



**FITMENT**

- 1986–2021\* 883cc Harley-Davidson® Sportster® models (\*See photos)

**FEATURES & BENEFITS**

- Increase displacement from 883cc to 1200cc
- Save time because pistons are already fit to the cylinders—Ready to assemble out of the box!
- No machining
- No rebalancing of 883cc flywheels
- No cylinder head modifications
- Durable powder coat finish
- 9.6:1 Compression ratio
- Must be used with 883 heads

**OPTIONS**

- Silver powder coat finish
- Wrinkle black powder coat finish

**KIT CONTENTS**

- S&S 883–1200cc conversion pistons w/rings and wristpins
- S&S 106–5548 piston kit—11.2cc dish volume
- S&S 3½" Bore Cylinders
- Cylinder head, base, and exhaust gaskets
- Assembly lube
- Instructions



883cc TO 1200cc CYLINDER AND PISTON CONVERSION KITS			
Fitment	Finish	Part #	MSRP
1986–2021 883cc Sportster®	Silver Powder Coat	910-0688	\$978.95
	Wrinkle Black Powder Coat	910-0687	\$978.95
NOT LEGAL FOR SALE OR USE IN CALIFORNIA ON ANY POLLUTION CONTROLLED MOTOR VEHICLE. NOT LEGAL FOR SALE OR USE NATIONWIDE ON ANY FEDERAL POLLUTION CONTROLLED MOTOR VEHICLE UNDER THE CLEAN AIR ACT			

S&S cylinders match the fin profile on 1986–’03 cylinder heads. Although there is a slight difference in the fin profiles of S&S cylinders and stock 2004–’21 cylinder heads (shown above), the look is generally not considered to be objectionable. You decide!



MB

2007–’17 TWIN CAM 96”/103”/110”

1999–’06 TWIN CAM 88”

SPORTSTER, STREET, NIGHTSTER, STREET ROD & BUELL

TOOLS & SHOP SUPPLIES

WARRANTY & COMPANY POLICY

APPENDIX



**FITMENT**

- 1986–2021 1200cc Harley-Davidson® Sportster® models
- 1986–2021 883cc Harley-Davidson Sportster models

**FEATURES & BENEFITS**

- Forged pistons — coated piston skirts with measurement window
- Stock 1986–2020 1200cc cylinders can be bored over to accept these pistons
- Pistons have larger than stock valve pockets — accepts up to 2.00" valves

**OPTIONS**

- Silver powder coat finish
- Wrinkle black powder coat finish

**KIT CONTENTS**

- S&S 1250cc pistons w/rings and wristpins
- S&S 3<sup>9</sup>/<sub>16</sub>" bore cylinders
- MLS head, base, and exhaust gaskets
- Assembly lube
- Instructions



1250cc CYLINDER AND PISTON CONVERSION KITS					
Fitment	Piston Type	Compression Ratio	Finish	Part #	MSRP
1986–2021 Sportster®	S&S Forged Flat top	10.3:1	Silver	<b>910-0689</b>	<b>\$978.95</b>
			Wrinkle Black	<b>910-0691</b>	<b>\$978.95</b>
	S&S Forged 5.5cc dome	11.2-1	Silver	<b>910-0690</b>	<b>\$978.95</b>
			Wrinkle Black	<b>910-0692</b>	<b>\$978.95</b>

\*The cylinder fin profile does not perfectly match the fins on 2004 and later stock heads, but the difference is not considered to be objectionable. See Photos.  
 Compression ratios given are with 60cc combustion chambers.  
 NOT LEGAL FOR SALE OR USE IN CALIFORNIA ON ANY POLLUTION CONTROLLED MOTOR VEHICLE. NOT LEGAL FOR SALE OR USE NATIONWIDE ON ANY FEDERAL POLLUTION CONTROLLED MOTOR VEHICLE UNDER THE CLEAN AIR ACT

**NOTE:**

Cannot run stock 883 cylinder heads with this kit.

The cylinder fin profile does not perfectly match the fins on 2004 and later stock heads, but the difference is not considered to be objectionable. See photo.

S&S does not recommend boring 2004 and later 883cc cylinders from 3" to 3<sup>1</sup>/<sub>2</sub>" bore to increase engine displacement to 1200cc due to changes in factory cylinder and liner. A smaller O.D. liner and large chamfer on the bottom of the spigot make boring the 883 cylinder not possible. New cylinders are recommended.

This kit is not compatible with the stock ignition.

This kit is not compatible with XR1200 models.



S&S cylinders match the fin profile on 1986–'03 cylinder heads. Although there is a slight difference in the fin profiles of S&S cylinders and stock 2004–'20 cylinder heads (shown above), the look is generally not considered to be objectionable. You decide!



SPORTSTER, STREET, NIGHTSTER, STREET ROD & BUELL





- Cylinders with piston kits include fitted pistons and cylinders, head gaskets, base gaskets, and exhaust gaskets
- Cylinder kits with pistons are honed to fit the pistons included

S&S® 3 1/16" BORE CYLINDERS WITH PISTONS KIT SPECIFICATION CHART					
Displacement	Stroke	Cylinder Length	Dome Volume	Piston Deck Height	Compression Ratio S&S Heads
1250cc	3 13/16"	4.650"	Flat Top	1.208"	10.3:1
			5.5cc		11.2-1



910-0689

3 1/16" BORE CYLINDERS WITH PISTONS FOR 1250CC KIT					
Displacement	Piston Type	Silver	MSRP	Wrinkle Black	MSRP
1250cc	S&S Forged Flat Top	910-0689	\$978.95	910-0691	\$978.95
	S&S Forged 5.5cc Domed	910-0690	\$978.95	910-0692	\$978.95

NOT LEGAL FOR SALE OR USE IN CALIFORNIA ON ANY POLLUTION CONTROLLED MOTOR VEHICLE. NOT LEGAL FOR SALE OR USE NATIONWIDE ON ANY FEDERAL POLLUTION CONTROLLED MOTOR VEHICLE UNDER THE CLEAN AIR ACT

910-0688



S&S® 3 1/2" BORE CYLINDERS WITH PISTONS KIT SPECIFICATION CHART					
Displacement	Stroke	Cylinder Length	Piston Deck Height	COMPRESSION RATIO	
				S&S Heads	Stock Heads
1200cc	3 13/16"	4.650"	1.208"	10.5:1	9.6:1

3 1/2" BORE CYLINDERS WITH PISTONS FOR 1200CC & 883CC KITS				
Displacement	Silver	MSRP	Wrinkle Black	MSRP
1200cc, 1986-2003 Sportster®, 1994-'02 Buell® Models with S&S® Heads	910-0694	\$1,019.95	910-0696	\$1,009.95
883cc (conversion to 1200cc), 1986-2020*Sportster® models	910-0688	\$978.95	910-0687	\$978.95

\*The cylinder fin profile does not perfectly match the fins on 2004 and later stock heads, but the difference is not considered to be objectionable. See Photos on 287

NOT LEGAL FOR SALE OR USE IN CALIFORNIA ON ANY POLLUTION CONTROLLED MOTOR VEHICLE. NOT LEGAL FOR SALE OR USE NATIONWIDE ON ANY FEDERAL POLLUTION CONTROLLED MOTOR VEHICLE UNDER THE CLEAN AIR ACT

**NOTE:**

- Stock crankcases must be machined to accommodate the larger spigot diameter.
- Combustion chamber modifications must be made to stock cylinder heads to reduce compression.



MB

2007-'17  
TWIN CAM  
96"/103"/110"

1999-'06  
TWIN CAM  
88"

SPORTSTER, STREET,  
NIGHTSTER, STREET ROD  
& BUELL

TOOLS &  
SHOP  
SUPPLIES

WARRANTY &  
COMPANY  
POLICY

APPENDIX



- Cylinder sets without pistons are bored slightly under normal size and are not honed.
- Include dowel pins



3 7/16" BORE CYLINDERS*					
Displacement		Silver	MSRP	Wrinkle Black	MSRP
1200cc	Set	<b>910-0693</b>	<b>\$713.95</b>	<b>910-0697</b>	<b>\$713.95</b>

NOT LEGAL FOR SALE OR USE IN CALIFORNIA ON ANY POLLUTION CONTROLLED MOTOR VEHICLE. NOT LEGAL FOR SALE OR USE NATIONWIDE ON ANY FEDERAL POLLUTION CONTROLLED MOTOR VEHICLE UNDER THE CLEAN AIR ACT

3 1/2" BORE CYLINDERS					
Displacement		Silver	MSRP	Wrinkle Black	MSRP
1200cc	Set	<b>910-0698</b>	<b>\$652.95</b>	<b>910-0695</b>	<b>\$652.95</b>

**NOTE:**

Stock crankcases must be machined to accommodate the larger spigot diameter.  
Combustion chamber modifications must be made to stock cylinder heads to reduce compression.

\*This kit is not compatible with XR1200 models.

**Piston kits**

- Piston kits include set of pistons, rings, wristpins, and clips

4" BORE FORGED PISTON KITS						
Displacement	Deck Height	Stroke	+ .010"	MSRP	+ .020"	MSRP
100"	1.200"	4"	<b>92-1421</b>	<b>\$469.95</b>	<b>92-1422</b>	<b>\$469.95</b>

Recommended piston fitment: Close: .0020"-.0025" Loose: .0032"-.0045"



3 5/8" BORE FORGED PISTON KITS FOR STOCK HEADS						
Displacement	Deck Height	Stroke	+ .010"	MSRP	+ .030"	MSRP
1458cc (89")	1.200"	4 5/16"	<b>92-1941</b>	<b>\$469.95</b>	<b>92-1943</b>	<b>\$469.95</b>
1688cc (103")	1.200"	5"				

Recommended piston fitment: Close: 0.0015"-0.0020" Loose: 0.0030"-0.0040"

3 3/16" BORE FORGED PISTON KITS*					
Displacement	Dome Volume	Deck Height	Stroke	Standard	MSRP
1250cc	Flat Top	1.207"	3 13/16"	<b>920-0070</b>	<b>\$549.95</b>
	5.5cc	1.207"	3 13/16"	<b>920-0071</b>	<b>\$499.95</b>

FOR CLOSED COURSE COMPETITION USE ONLY. NOT INTENDED FOR STREET USE. LEGAL IN CALIFORNIA ONLY FOR RACING VEHICLES WHICH MAY NEVER BE USED, OR REGISTERED OR LICENSED FOR USE, UPON A HIGHWAY. NOT LEGAL FOR SALE OR USE NATIONWIDE ON ANY FEDERAL POLLUTION CONTROLLED MOTOR VEHICLE UNDER THE CLEAN AIR ACT.

**NOTE:**

\*This kit is not compatible with XR1200 models.

3 1/2" BORE FORGED PISTON KITS									
Cylinder Heads	Deck Height	Stroke	Standard	MSRP	+ .010"	MSRP	+ .020"	MSRP	
S&S® Super Stock®	1.1875"	3 13/16"	<b>92-2016</b>	<b>\$484.95</b>	<b>92-2017</b>	<b>\$494.95</b>	<b>92-2018a</b>	<b>\$469.95</b>	
Stock 883cc	1.207"		<b>106-5548</b>	<b>\$469.95</b>	<b>106-5549</b>	<b>\$479.95</b>	-	-	

Recommended piston fitment: Close: 0.0025"-0.003" Loose: 0.0030"-0.0040"

SPORTSTER, STREET, NIGHTSTER, STREET ROD & BUELL



**FITMENT**

- 1986–'21 Harley-Davidson® Sportster® models
- 1994–'02 Buell® models

**APPLICATIONS**

**S&S 482:** Bolt-in cam for 2004–'19 models only. Recommended for S&S 883 to 1250 conversion kits. Best performance gains 3500–6500 rpm. Compatible with stock valve springs and stock non-adjustable pushrods.

**S&S 500:** Bolt-in cams that provide excellent torque with stock or ported heads. Recommended for modified engines up to 89" displacement and 9.0:1 to 10.5:1 compression ratio. Will work in 89" to 100" engines with less than 9.0:1 compression. Normal clearancing checks recommended. 2000–6000 rpm. Works with stock valve springs and stock non-adjustable pushrods.

**S&S 555:** Recommended for 89"–100" engines with 9.5:1 to 11.5:1 compression ratio. Provides best performance from 3500–6500 rpm using ported stock heads or S&S heads. Requires adjustable pushrods, spring spacing or high lift valve springs, and normal clearance checks.

**S&S 600:** The standard cam included in 4" bore S&S engines. For engines larger than 89" with 9.5:1 to 10.5:1 compression ratio and S&S heads. Great addition to a S&S 103" Sidewinder® kit. Requires adjustable pushrods, crankcase clearancing and high lift valve springs. 3500–6500 rpm.



33-5082

With the exception of the "bolt-in" 500 camshafts, S&S cams are high lift and are designed to take advantage of the extra flow of ported stock heads or S&S Super Stock® heads. Due to the high lift of these cams, high lift valve springs and minor clearancing is required for proper installation.

**S&S® CAMS SPECIFICATIONS FOR 1986–'21 SPORTSTER® AND 1994–'02 BUELL® MODELS**

Cam	Valve Timing <sup>1</sup>		Valve Duration (°)		Valve Lift	Lift @ TDC <sup>2</sup>		Spring Spacing Required	Tappet <sup>3</sup> Type Required
	Intake	Exhaust	Intake	Exhaust		Intake	Exhaust		
	Open BTDC/ Close ABDC	Open BBDC/ Close ATDC							
482	22°/38°	43°/11°	240°	234°	.482"	.181"	.134"	No	Hydraulic
500	34°/50°	56°/28°	264°	264°	.500"	.241"	.212"	No	Solid or Hydraulic
555	33°/53°	53°/33°	266°	266°	.555"	.240"	.240"	Yes	Solid or Hydraulic
600	20°/55°	60°/20°	255°	260°	.600"	.194"	.184"	Yes	Solid or Hydraulic

<sup>1</sup>Timing designations is a function of zero lash @ 0.053" off base circle.

<sup>2</sup>TDC lifts are measured at the valve and are for reference only. Overlap valve lifts must be checked on assembled motor.

<sup>3</sup>Requires cam lobe clearancing when used in stock crankcases.

**CAMS FOR 1986–'21 SPORTSTER® AND 1994–'02 BUELL® MODELS**

Cam Name	Application	Part #	MSRP
S&S 482	2000–'Up	330-0189	\$626.95
S&S 500	1991–'Up*	33-5082	\$608.95
	1986–'90	33-5081	\$587.95
S&S 555	1991–'Up*	33-5084	\$626.95
S&S 600	1986–'90	33-5125	\$597.95

\*See Notes regarding pinion gears

NOT LEGAL FOR SALE OR USE IN CALIFORNIA ON ANY POLLUTION CONTROLLED MOTOR VEHICLE. NOT LEGAL FOR SALE OR USE NATIONWIDE ON ANY FEDERAL POLLUTION CONTROLLED MOTOR VEHICLE UNDER THE CLEAN AIR ACT

**NOTE:**

1991–'99 style pinion gear must be used with S&S® cams (except for 482) in 2000–'19 Sportster® models and 2000–'02 Buell® models with stock flywheels. See 293 293. 2000–'03 Sportster models and 2000–'02 Buell models using S&S flywheels or pinion shafts require the use of '91–'99 style cams and S&S '86–'87 pinion gear and oil pump drive gear.

MB

2007–'17  
TWIN CAM  
96"/103"/110"

1999–'06  
TWIN CAM  
88"

SPORTSTER, STREET,  
NIGHTSTER, STREET ROD  
& BUELL

TOOLS &  
SHOP  
SUPPLIES

WARRANTY &  
COMPANY  
POLICY

APPENDIX



**FITMENT**

- 1986–'99 Harley-Davidson® Sportster®
- 1994–'97 Buell®
- S&S SB-Series engines

**FEATURES AND BENEFITS**

- CNC machined from heat-treated, closed die, steel forging
- Stronger than cast iron or late style steel flywheels
- 5-piece design—easily rebuilt with standard flywheel fixtures and tools
- Unassembled balanced flywheels are balanced by the static method

**FLYWHEEL ASSEMBLIES FOR 1994–'97 BUELL® MODELS**

S&S flywheels for two-cylinder 1994–'97 Buell models. Although similar to flywheels for Sportster® models, these flywheels are knife edged and lightened. This design offers these advantages:

- Knife edging is a proven design used in race motors to make the flywheels "shed" oil more quickly to reduce drag at high rpm.
- Knife edging and lightening increases effective crankcase volume and reduces the flywheel assembly weight by 2–4 lbs. Increased crankcase volume results in better oil control, effectively reducing friction and heat, as well as helping to control oil carry over. Reduced weight results in faster revving and higher top rpm capability.
- All S&S flywheels for Sportster and Buell models feature removable mainshafts for easy rebuilding. In addition, the S&S pinion shaft is the 1986–'87 splined design, which is much stronger than the stock pinion shaft, allowing the use of higher lift cams and stronger valve springs.

**OPTIONS**

- Stock replacement or stroker flywheels for high performance upgrade
- Available in a wide variety of styles and strokes
- Available balanced or unbalanced
- Available assembled or unassembled by special order

**KIT CONTENTS**

- Flywheels
- Pinion shaft and sprocket shaft
- Optional connecting rods



**TRYING TO IDENTIFY AN S&S® FLYWHEEL?  
SEE FLYWHEEL I.D. CHART IN THE APPENDIX, 358**

**NOTE:**

Lightened flywheels are not recommended for Sportster models with solid mounted engines due to increased vibration and loss of low rpm torque.

S&S pinion shafts for 1986–'03 Sportster® models are the splined 1986–'87 style.

Pinion and oil pump drive gears in 1988–'03 models must be replaced with early style gears. See 293

Complete S&S Flywheel assemblies will fit up to 1999 model year engines. However, the flywheels are compatible with stock crankpins up to 1999 only.

Stock stroke flywheels are balanced to stock weight pistons

These flywheels will not fit 1998–up Buell® models.

**REPLACEMENT PARTS: SEE 316**

**REPLACEMENT FLYWHEEL ASSEMBLIES FOR HARLEY-DAVIDSON® SPORTSTER® MODELS**

Year Group	Displacement	Stroke	Flywheel Diameter	Part #	MSRP
1986–'90	S&S 89" SW Kit	4 <sup>5</sup> / <sub>16</sub> "	7 <sup>7</sup> / <sub>8</sub> " (Stock)	32-3061	\$1,876.95
1991–'03	1200cc (Stock)	3 <sup>13</sup> / <sub>16</sub> " (Stock)	7 <sup>7</sup> / <sub>8</sub> " (Stock)	320-0053	\$1,895.95

SPORTSTER, STREET, NIGHTSTER, STREET ROD & BUELL

**Billet Filtermount**

**FITMENT**

- 1986–'87 Harley-Davidson® Sportster® models
- S&S SB-Series engines
- S&S crankcases for Sportster and Buell® models

**FEATURES AND BENEFITS**

- Accepts stock oil pressure sending switch
- Machined for easy routing of an oil cooler
- Seals off cam chest, providing a convenient place to spin on an oil filter



**BILLET FILTER MOUNT**

Fitment	Part #	MSRP
1986–'87 Harley-Davidson® Sportster® S&S SB-Series engines S&S crankcases for Sportster and Buell®	106-3134	\$216.95

WARNING: Cancer and Reproductive Harm – www.P65Warnings.ca.gov



**FITMENT**

- 1986–'99 Sportster® models
- 1994–'02 Buell® models



33-4165



33-4254

**PINION GEARS FOR 1986–'87 SPORTSTER® MODELS  
REQUIRED FOR ALL S&S FLYWHEEL ASSEMBLIES FOR 1986–'99 SPORTSTER AND 1991–'99 BUELL MODELS**

Color Code	Size	HD® Part #	S&S® Part #	MSRP
White	Average	24058-86	33-4154	\$367.95

**PINION GEARS FOR 1991–'99 SPORTSTER® WITH STOCK FLYWHEEL ASSEMBLY**

Color Code	Size	HD® Part #	S&S® Part #	MSRP
White	Average	24058-91	33-4164	\$254.95
Green	Average	24059-91	33-4165	\$257.95

Note: Can be used to install S&S cams in 2000–2013 Sportster® engines

**PINION SHAFT COMPONENTS FOR 1986–'03 SPORTSTER® MODELS**

Description	HD® Part # <sup>1</sup>	S&S® Part #	MSRP
1986–'87 Style Pinion Gear Nut	7913	33-4254	\$40.95

<sup>1</sup>Note: No longer available from Harley-Davidson®

**NOTE:**

If the stock gear is unmarked and the size is unknown or you are scratch building an engine and have no gear, we recommend that you order a gear in the middle of the size range. These sizes were used more often and should provide adequate gear clearance under most circumstances. When in doubt, use a gear from the middle to the small side of the range because a combination of looser fitting smaller gears is less likely to cause binding and premature wear. Consult the chart for the size and appropriate part number required. If you wish to achieve optimum cam gear to pinion gear fit, consult your factory service manual for instructions on fitting these gears before making a selection. Some sizes, particularly those on and near the ends of each range, are available on a limited basis because they are the extremes.

All reference to HD® part numbers is for identification purposes only. We in no way are implying that any of S&S Cycle's products are original equipment parts or that they are equivalent to the corresponding HD® part number shown.

MB  
2007–'17  
TWIN CAM  
96"/103"/110"  
1999–'06  
TWIN CAM  
88"  
SPORTSTER, STREET,  
NIGHTSTER, STREET ROD  
& BUELL  
TOOLS &  
SHOP  
SUPPLIES  
WARRANTY &  
COMPANY  
POLICY  
APPENDIX

Factory tappet guides are constructed of plastic and are at risk for allowing the tappets to twist under heavy stress. S&S Tappet Cuffs capture the tappets without impacting vertical motion—*keeping them perfectly aligned, even in high stress, high RPM situations.*

- Hard anodized black coating for maximum wear resistance
- Billet aluminum construction
- Stronger material eliminates distortion
- Improve tappet stability in high lift and high rpm situations
- An easy upgrade when changing tappets or cams
- Sold as a pair (*front and rear fitments are identical*)
- Made in USA!



Stock vs. S&S xl tappet cuffs



**NOTE:**

Due to variances between cam and tappet manufacturers, always be sure to check the tappet to tappet cuff clearance.

**TAPPET CUFF SET**

Description	Part #	MSRP
Tappet Cuff	330-0741	\$81.95





High performance tappets are a cornerstone of the S&S line up and we are always looking to improve our products. After months of research and countless hours of testing we are excited to reveal the latest in performance tappets. The S&S Cycle Precision Tappets replace both our standard as well as premium tappets. Each Precision Tappet is hand assembled to exacting tolerances and designed for quiet operation and rapid pump up and all are made in the USA.

**FITMENT**

- 2000–'21 HD® Sportster® models
- 2000–'02 Buell® models
- 1986–'90 Sportster® models

**FEATURES**

- Reduced valve train noise from start up to shut down
- Close tolerances for low leak down rates
- Fast pump up and superior high rpm performance



**PRECISION TAPPETS**

Fitment	Part #	MSRP
2000–'21 Sportster® models & 2000–'02 Buell® models	<b>330-0718</b>	<b>\$279.95</b>
1991–'99 Sportster models	<b>330-0288</b>	<b>\$226.95</b>

**Standard Tappets**

**FITMENT**

- 1986–'90 HD® Sportster® models

**FEATURES AND BENEFITS**

- Redesigned plunger assembly better withstands forces associated with heavy-duty valve springs and cams typically used in high-performance applications
- Revised metering device precisely controls oil delivery to top end, ensuring rapid lifter pump-up and reducing possibility of oil starvation to bottom end
- Each lifter body and plunger assembly is selective-fit and tested to ensure correct operation
- 1986–'90 (4-speed)
  - Larger inner bearing race reduces stresses to increase axle, bearing and roller life. The S&S inner bearing race is .123" larger in diameter than the "raceless" roller axles currently used by some manufacturers.
  - Improved inner race-roller design allows use of more and larger bearings to increase load—carrying surface area, further reducing stress and wear in the critical roller area.

**OPTIONS**

- Tappets for 1986–'90 four speed Sportster® models are available with the HL<sub>2</sub>T Limited Travel Kit for improved cold starts and high rpm valve timing accuracy.

**KIT CONTENTS**

- Four hydraulic tappets



**33-5352**

<b>HIGH PERFORMANCE HYDRAULIC TAPPETS</b>			
Fitment	Description	Part #	MSRP
1986–'90 xl	S&S Standard Tappet (HL <sub>2</sub> T kit not installed)	<b>33-5352</b>	<b>\$381.95</b>
	S&S Standard Tappet (With HL <sub>2</sub> T kit installed)	<b>33-5353</b>	<b>\$409.95</b>

**NOTE:**

S&S tappets with HL<sub>2</sub>T Kit require the use of adjustable pushrods. See 297 for S&S adjustable pushrod options

**High Quality Tappet Roller & Axle Replacement**



High quality tappet roller and axle replacement kit for 1984–99 HD® big twin and 1986–90 Sportster® models. Kit includes rollers to rebuild 4 tappets.

**HIGH QUALITY TAPPET ROLLER AND AXLE REPLACEMENT KIT**

Description	Part #	MSRP
Kit includes rollers to rebuild 4 tappets	<b>330-0378</b>	<b>\$183.95</b>

All reference to HD® part numbers is for identification purposes only. We in no way are implying that any of S&S Cycle's products are original equipment parts or that they are equivalent to the corresponding HD® part number shown.

MB

2007–'17  
TWIN CAM  
96"/103"/110"

1999–'06  
TWIN CAM  
88"

SPORTSTER, STREET,  
NIGHTSTER, STREET ROD  
& BUELL

TOOLS &  
SHOP  
SUPPLIES

WARRANTY &  
COMPANY  
POLICY

APPENDIX



**FITMENT**

- 1986–'90 Harley-Davidson® Sportster®
- S&S Super Stock® crankcase
- S&S Special Application crankcase

**FEATURES AND BENEFITS**

- Unlike cast aluminum, billet has no internal voids or impurities
- No residual strain from thermal contraction or expansion means no cracking or changes in shape
- Simple to install upgrade that looks great
- Tappet guides for special application cases have correct pushrod angles for 1/2" camchest offset

**KIT CONTENTS**

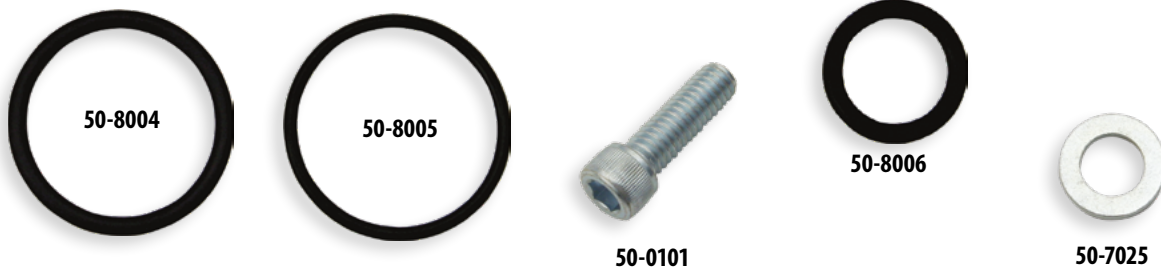
- Guides
- O-rings
- Installation hardware



TAPPET GUIDE SETS FOR SPORTSTER®, SUPER STOCK®, AND SPECIAL APPLICATION CRANKCASES		
Application	Part # (Set)	MSRP
1986–'90 Stock/S&S® Super Stock	33-5375	\$399.95
1986–'90 S&S Special Application	33-5365	\$399.95

**NOTE:**

2000 and later Sportster models use the same tappet as 1999–up big twin engines. However, these tappets will not fit the S&S tappet guides for 1991–'99 models.



REPLACEMENT PARTS FOR TAPPET GUIDES			
Description		Part #	MSRP
Upper O-ring, 1" I.D. x 1 3/16" O.D. x 3/32" CS Viton® 11167	each	50-8004	\$6.95
Lower O-ring, 1" I.D. x 1 1/8" O.D. x 1/16" CS Viton 11168A	each	50-8005	\$6.95
Oil Passage O-ring, 3/8" I.D. x 1/2" O.D. x 1/16" CS 70 Buna 11110	each	50-8006	\$6.95
	10 pack	50-8077	\$12.95
Screw, SHC, 3/16-18 x 1", Zinc 3201WA, 2708	each	50-0101	\$4.95
Washer, Flat, .325" x .548" x .062", Zinc, Low Carbon Steel 6771	each	50-7025	\$6.95

All reference to HD® part numbers is for identification purposes only. We in no way are implying that any of S&S Cycle's products are original equipment parts or that they are equivalent to the corresponding HD® part number shown.

SPORTSTER, STREET, NIGHTSTER, STREET ROD & BUELL





All S&S Quickee Pushrods are covered by US Patent No. 7644694

**FITMENT**

- 1991–'21 Harley-Davidson® Sportster® models
- 1994–'02 Buell® models

**FEATURES AND BENEFITS**

- Easy to install
- Adjustable to ensure consistent valve train operation under all conditions

**KIT CONTENTS**

- Pushrods
- Pushrod covers and keepers
- O-rings

**NOTE:**

Quickee pushrods cannot be used in the S&S® SB-100 engine. 33-5355 adaptors, 93-4039 cover kit and 93-4101 keepers are needed when used on 1991–2003 applications.



930-0023



WATCH THE S&S PUSHROD INSTALLATION VIDEO AT [SSCYCLE.COM/MEDIA/VIDEOS](http://SSCYCLE.COM/MEDIA/VIDEOS)

**QUICKEE ADJUSTABLE PUSHRODS FOR 1991–'21 HARLEY-DAVIDSON® SPORTSTER® MODELS**

Description	Part #	MSRP
Complete Kit, for 2004–'Up xl	930-0023	\$326.95
Pushrod Set only, for 1991–'21 xl	93-5122	\$209.95

REPLACEMENT PARTS: SEE 298

**Standard Adjustable Pushrods**

**FITMENT**

- 1986–'21 Harley-Davidson® Sportster® models
- 1994–'02 Buell® models

**FEATURES AND BENEFITS**

- Made out of 7/16" O.D. chromoly steel tubing for strength and durability
- Adjustable to ensure accurate valve train operation under all conditions
- Compatible with solid and hydraulic lifters
- Kit includes all pushrods, covers, keeper and o-rings

**KIT CONTENTS**

- Pushrods
- Pushrod covers and keepers
- O-rings



930-0024

**NOTE:**

S&S pushrod sets are available separately for those who wish to use an aftermarket pushrod cover other than S&S. 33-5355 pushrod cover adaptors are required for 1991–'03 applications. See 298

REPLACEMENT PARTS: SEE 298

**STANDARD ADJUSTABLE PUSHRODS FOR 2004–UP HARLEY-DAVIDSON® SPORTSTER® MODELS**

Description	Part #	MSRP
Complete Kit	930-0024	\$278.95
Pushrod Set only	93-5022	\$152.95

**PUSHROD SETS FOR 1991–'03 SPORTSTER® & 1994–'02 BUELL® MODELS**

Displacement	Cylinder Length	Part #	MSRP
883cc, 1200cc, 79"	4.650" (Stock)	93-5022	\$152.95

**PUSHROD SETS FOR 1986–'90 SPORTSTER® MODELS**

Displacement	Cylinder Length	Part #	MSRP
883cc, 1200cc, 79"	4.650" (Stock)	93-5033	\$154.95
89"	5.087" (+0.437)	93-5022	\$152.95

MB

2007–'17  
TWIN CAM  
96"/103"/110"

1999–'06  
TWIN CAM  
88"

SPORTSTER, STREET,  
NIGHTSTER, STREET ROD  
& BUELL

TOOLS &  
SHOP  
SUPPLIES

WARRANTY &  
COMPANY  
POLICY

APPENDIX



**FITMENT**

- 1986-'21 Harley-Davidson® Sportster®
- 1994-'02 Buell®

PUSHROD REPLACEMENT PARTS			
Item Description		Part #	MSRP
S&S Pushrod Cover Kit* (includes Top and bottom covers, Cover cap, Cover spring, Spring washers, and o-rings)	Stock Height	93-4039*	\$193.95
	1" or more taller than stock	93-4038*	\$193.95
Cover Cap Washer 6762B		50-7131	\$6.95
Bottom Cover Washer		50-7150	\$4.95
Top O-ring 11132A		50-8039	\$6.95
Middle O-ring		50-8038	\$6.95
Bottom O-ring		50-8037	\$6.95
Top Cover		93-4016	\$19.95
Bottom Cover		93-4015	\$21.95
Cover Cap		93-4017	\$14.95
Cover Spring		93-4018	\$7.95
Pushrod O-ring Kit		93-4022	\$12.95
Ball End	Fits S&S adjustable with 5/16"-32 threads. (Manufactured after 2-1-1996)	93-5002	\$16.95
Adjusting Unit Locknut	Fits S&S adjustable pushrods with early stock 9/32"-32 threads	33-5333	\$9.95
	Fits S&S adjustable pushrods with 5/16"-32 threads. (Manufactured after 2-1-1996)	93-5003-S	\$8.95

\*1991-'03 Sportster and 1994-'02 Buell models require S&S pushrod cover adaptor kit part #33-5355 to use two-piece pushrod covers.



S&S pushrod cover adapters for five-speed Sportster models are designed to convert stock 1991-'03 crankcases to accept 1986-'90 style pushrod cover assemblies in order to allow access to adjustable pushrods. 2004-up Sportster models do not require these adapters.

PUSHROD COVER ADAPTER		
Set of four	33-5355	\$91.95

SPORTSTER, STREET, NIGHTSTER, STREET ROD & BUELL



PUSHROD COVER KEEPER SETS				
Application		Length	Part #	MSRP
2004-'21 Sportster® Pushrod covers	883cc & 1200cc	(2.600")	93-4101	\$41.95
1991-'03 Sportster and 1994-'02 Buell® with Stock Cases and S&S Adaptors	883cc & 1200cc	(2.600")	93-4101	\$41.95
	79"	(2.600")	93-4101	\$41.95
	89"	(3.000")	93-4103	\$40.95
1986-'90 Sportster with Stock or S&S Cases	883cc & 1200cc	(2.800")	93-4115  17950-86	\$40.95
	79"	(2.800")	93-4115  17950-86	\$40.95
	89"	(3.100")	93-4104	\$40.95
	100"	(3.000")	93-4103	\$40.95

WARNING: Cancer and Reproductive Harm – www.P65Warnings.ca.gov



93-4101

All S&S pushrod keepers are chromed steel except part #93-4109. Keeper #93-4109 is intended for unusually tall engines. It is manufactured of unchromed stainless steel to prevent rust or peeling after it is trimmed to the required length. Keepers are sold in sets of four.

PUSHROD COVER KEEPER SET			
Length / Finish	Part #	MSRP	
2.390" / Gloss Black	930-0127	\$40.95	
2.400" / Chrome	93-4070± 17950-48	\$41.95	
2.500"	Chrome	93-4100±	\$40.95
	Gloss Black	930-0142	\$40.95
2.600"	Chrome	93-4101±	\$41.95
	Gloss Black	930-0128	\$40.95
2.800" / Chrome	93-4115± 17950-86	\$40.95	
2.900"	Chrome	93-4102±	\$40.95
	Gloss Black	930-0126	\$40.95
3.000" / Chrome	93-4103±	\$40.95	
3.100"	Chrome	93-4104±	\$40.95
	Gloss Black	930-0125	\$40.95
3.200" / Chrome	93-4105±	\$40.95	
3.330" / Chrome	93-4106± 17949-40, 17950-66	\$40.95	
3.500" / Chrome	93-4107±	\$40.95	
4.250"*	93-4109	\$50.95	

\*Custom, extra long stainless steel 4.250", customer to cut to required length  
 ± WARNING: Cancer and Reproductive Harm – www.P65Warnings.ca.gov



93-4109

All reference to HD® part numbers is for identification purposes only. We in no way are implying that any of S&S Cycle's products are original equipment parts or that they are equivalent to the corresponding HD® part number shown.

MB

2007-'17  
TWIN CAM  
96"/103"/110"

1999-'06  
TWIN CAM  
88"

SPORTSTER, STREET,  
NIGHTSTER, STREET ROD  
& BUELL

TOOLS &  
SHOP  
SUPPLIES

WARRANTY &  
COMPANY  
POLICY

APPENDIX



**FITMENT**

- 1986–'21 Harley-Davidson® Sportster® models with stock heads

**FEATURES AND BENEFITS**

- Works well with cams up to .650" lift
- Manufactured from ultra clean high silicon Kobe alloy wire then micro shot peened and nitrided
- CNC machined 9° locks
- High performance conical single wire spring
- Chromoly forged retainers

**KIT CONTENTS**

- Valve keepers, top & bottom collars, springs, shims
- Valve guide seals (not included in kit for 1999–'04 xl)

**S&S® .650" LIFT SPRINGS SPECIFICATIONS**

Lift	Installed Height	Seat Force	Force @ Max Lift	Max RPM
.650"	1.860"	178 lb.	376 lb.	6500



106-5909

**.650" LIFT SPRING KIT**

Description	Part #	MSRP
1986–2003 (5/16" valve stems)	900-0050	\$254.95
2004–2021 (7mm stems)	106-5909	\$257.95

**NOTE:**

S&S recommends roller rocker arms be used with lifts over .585"

**Street Performance .585" Valve Springs**

**FITMENT**

- 1986–'21 Harley-Davidson® Sportster® models / 1995–'02 Buell models

**FEATURES AND BENEFITS**

- Dual springs reduce the risk of valve float
- Suitable for high performance applications
- Accommodates camshaft lift to 0.585"

**KIT CONTENTS**

- Valve Guide Seals, Springs, Top & Bottom Collars, Keepers, Shims

**S&S® .585" LIFT SPRINGS SPECIFICATIONS**

Lift	Installed Height	Seat Force	Force @ Max Lift
.585"	1.850"	135 lb.	325 lb.



900-0593

**STREET PERFORMANCE .585" VALVE SPRING KIT**

Description	Part #	MSRP
1986–'03 Sportster® & 1995–'02 Buell® (5/16" valve stems)	900-0593	\$163.95
2004–'21 Sporsters® (7mm stems)	900-0594	\$183.95
S&S Super Stock Heads	900-0595	\$163.95

VALVE SPRING REPLACEMENT PARTS: SEE 336

SPORTSTER, STREET, NIGHTSTER, STREET ROD & BUELL



**FITMENT**

- 1986–'21 Harley-Davidson® Sportster® models
- 1994–'02 Buell® models

**FEATURES AND BENEFITS**

**ROLLER ROCKER ARMS**

- Extremely durable rollers reduce valve stem side thrusting with high lift cams
- Superior wear and fatigue resistance even in the most demanding applications
- ¾" long bushings provide 50% more bushing support area than ½" long bushings
- Ideal for cams of any lift

**STANDARD ROCKER ARMS**

- ¾" long bushings provide 50% more bushing support area than ½" long bushings
- An economical alternative for cams up to .585" lift

**KIT CONTENTS**

- 2 front and 2 rear rocker arms



900-4065A



900-4119A

1.625:1 RATIO FORGED ROLLER ROCKER ARMS		
Description	Part #	MSRP
1.625:1 Ratio Roller Rocker Arm Set 2 front & 2 Rear	900-4065A	\$652.95
Front Exhaust/Rear Intake each	900-4065FA	\$191.95
Rear Exhaust/Front Intake each	900-4065RA	\$193.95
1.725:1 RATIO FORGED ROLLER ROCKER ARMS 1986–2003 XL		
1.725:1 Ratio Roller Rocker Arm Set 2 front & 2 Rear	900-4098A	\$693.95
Front Exhaust/Rear Intake each	900-4098FA	\$212.95
Rear Exhaust/Front Intake each	900-4098RA	\$212.95
STANDARD FORGED ROCKER ARM KIT		
1.625:1 Ratio Roller Rocker Arm Set 2 front & 2 Rear	900-4119A	\$326.95
Front Exhaust/Rear Intake each	900-4119FA 17375-83A	\$122.95
Rear Exhaust/Front Intake each	900-4119RA 17360-83A	\$122.95



90-4036



90-4104

REPLACEMENT PARTS FOR FORGED ROCKER ARMS		
Description	Part #	MSRP
Rocker Arm Shafts (Set of 4)	90-4036  17611-83B	\$50.95
Rocker Arm Shafts (each)	90-4006   1,2,3 17611-83B	\$16.95
Roller Rocker Arm Rebuild kits (rebuilds 4 rocker arms)	90-4104	\$163.95
Roller & Standard Rocker arm bushing (¾" long)	90-4014	\$14.95

**NOTE:**

S&S roller rocker arms are recommended for use with cams having more than 0.585" of lift. Adjustable pushrods must be used with S&S roller rocker arms to obtain proper valve clearance. New rocker arm shafts are recommended for maximum performance and rocker life. The use of 1.725:1 ratio rocker arms will increase stress on cams, tappets, and pushrods. For this reason they are recommended for racing only and not for street applications.

All reference to HD® part numbers is for identification purposes only. We in no way are implying that any of S&S Cycle's products are original equipment parts or that they are equivalent to the corresponding HD® part number shown.

MB

2007–'17  
TWIN CAM  
96"/103"/110"

1999–'06  
TWIN CAM  
88"

SPORTSTER, STREET,  
NIGHTSTER, STREET ROD  
& BUELL

TOOLS &  
SHOP  
SUPPLIES

WARRANTY &  
COMPANY  
POLICY

APPENDIX



### FITMENT

- 1986-'03 Harley-Davidson® Sportster®
- 1994-'02 Buell® (heads require S&S Super stock pistons)

### FEATURES AND BENEFITS

- Machined with a stock bolt pattern
- Larger, more open combustion chamber presents less resistance to air flow around the valves
- 2.000" intake valves and 1.605" exhaust valves
- Special "cast-to-shape" intake ports with a special directional fin for improved air flow
- Precision CNC machined from heat treated aircraft quality aluminum castings



### KIT CONTENTS

- Complete head assembly in Natural or Wrinkle Black with valves and S&S .650" lift springs

REPLACEMENT PARTS: SEE 320

ASSEMBLED S&S® SUPER STOCK® HEAD KITS				
Application	Natural	MSRP	Wrinkle Black	MSRP
1991-'03 Sportster® models	90-1310	\$3,069.95	90-1810	\$3,191.95
NOT LEGAL FOR SALE OR USE IN CALIFORNIA ON ANY POLLUTION CONTROLLED MOTOR VEHICLE. NOT LEGAL FOR SALE OR USE NATIONWIDE ON ANY FEDERAL POLLUTION CONTROLLED MOTOR VEHICLE UNDER THE CLEAN AIR ACT				

**! THESE KITS REQUIRES SPECIAL S&S PISTONS AND GASKETS. ORDER THE REQUIRED PISTON OVERSIZE AND GASKETS FROM THE CHARTS BELOW. FOR COMPRESSION RATIOS AND CYLINDER KITS SEE 289**



3 1/2" BORE FORGED PISTON KITS FOR S&S® SUPER STOCK® HEADS (10.5:1 COMPRESSION)			
Oversize	Deck Height	Part #	MSRP
Standard	1.1875"	92-2016	\$484.95
+0.010"		92-2017	\$494.95
+0.020"		92-2018	\$469.95
Piston kits include set of pistons, rings, wristpins, and clips. Recommended piston fit: Close: 0.0025" -0.003" Loose: 0.0030"-0.0040"			



GASKET KITS FOR S&S® SUPER STOCK® CYLINDER HEADS		
Bore Size	Part #	MSRP
3 1/2"	90-1907	\$61.95
3 5/8"	90-1908	\$53.95

SPORTSTER, STREET, NIGHTSTER, STREET ROD & BUELL



HEAD BOLT INFORMATION CHART					
Length w/ Washer	Washer Thickness	Head Bolt w/ Washer	MSRP	Washers Only	MSRP
1.690"	.250"	93-3028	\$15.95	50-7091	\$7.95
1.840"	.150"	93-3027	\$15.95	50-0418-S	\$9.95
1.920"	.250"	93-3036	\$21.95	50-7091	\$7.95
2.070"	.150"	93-3031	\$21.95	50-0418-S	\$9.95
2.220"	.250"	93-3038	\$21.95	50-7091	\$7.95
2.370"	.150"	93-3032	\$21.95	50-0418-S	\$9.95
3.134"	.250"	93-3029	\$21.95	50-7091	\$7.95
3.284"	.150"	93-3030	\$21.95	50-0418-S	\$9.95
3.501"	.250"	93-3037*	\$21.95	50-7091	\$7.95
3.651"	.150"	93-3033*	\$21.95	50-0418-S	\$9.95

\*Drilled & tapped deeper to allow shortening for custom lengths.



93-3028

HEAD BOLT WASHERS		
Thickness	Part #	MSRP
.150"	50-0418-S	\$9.95
.250"	50-7091	\$7.95

HEAD BOLTS FOR 1986-2003 HARLEY-DAVIDSON® SPORTSTER® MODELS									
Engine Displacement	Stroke	Cylinder Length	Cylinder Head Type	Short Bolt w/Washer	MSRP	Long Bolt w/ Washer	MSRP	Head Bolt Kit	MSRP
883/1100/1200cc S&S 79"	3 13/16"	4.650"	S&S 1986-'90 HD®	93-3027	\$15.95	93-3030	\$21.95	93-3010	\$102.95
			1991-up HD	93-3027	\$15.95	93-3030	\$21.95	93-3010	\$102.95
S&S 89"	4 5/16"	5.087"	S&S 1986-'90 HD	93-3038	\$21.95	93-3033	\$21.95	93-3013	\$142.95
			1991-up HD	93-3032	\$21.95	93-3033	\$21.95	93-3013	\$142.95
S&S 91"	3 3/8"	4.230"	S&S®	93-3028	\$15.95	93-3029	\$21.95	93-3011	\$101.95
S&S 100"	4"	4.420"	S&S®	93-3028	\$15.95	93-3029	\$21.95	93-3011	\$101.95

Dress up your engine with these magnetic chrome head bolt covers. Easy installation, no tools, no messy adhesives. A powerful magnet holds cover in place, yet allows easy removal. Chrome plated steel looks great on any engine, but is a must for polished engines. For S&S head bolts only.



CHROME HEAD BOLT COVERS		
Set of 4	50-0333	\$91.95

WARNING: Cancer and Reproductive Harm  
 - www.P65Warnings.ca.gov

**CALCULATING CUSTOM HEAD BOLT LENGTHS SEE INSTRUCTIONS ON 359**

All reference to HD® part numbers is for identification purposes only. We in no way are implying that any of S&S Cycle's products are original equipment parts or that they are equivalent to the corresponding HD® part number shown.

MB

2007-'17  
TWIN CAM  
96"/103"/110"

1999-'06  
TWIN CAM  
88"

SPORTSTER, STREET,  
NIGHTSTER, STREET ROD  
& BUELL

TOOLS &  
SHOP  
SUPPLIES

WARRANTY &  
COMPANY  
POLICY

APPENDIX



**FITMENT**

- 1986–'03 Harley-Davidson® Sportster® models
- 1994–'02 Buell® models

**FEATURES AND BENEFITS**

- OEM-style "umbrella" fittings are included with billet rocker boxes for 1993–'99 big twin engines with cylinder head venting
- S&S billet rocker covers are available in three finishes: show-quality chrome, or unfinished. Unfinished is ideal for powder coating and other custom cosmetic treatments
- Installation on stock and most comparable sized engines can be performed without removing the engine from the frame

**KIT CONTENTS**

- Covers
- Gaskets
- O-rings
- Mounting hardware

**NOTE:**

The performance-oriented design of the billet rocker boxes permits valve lifts up to .710" with stock or S&S Super Stock® heads, and up to .810" with S&S Special Application heads. S&S roller rocker arms are recommended for high lift cams.

S&S billet rocker covers accept valve springs up to 1.660" O.D. without modification. Cylinder heads must be set up correctly for high-lift cams, and it remains the builder's responsibility to confirm all clearances.

Kits include front and rear cover assemblies with base and top cover, rocker shaft supports, gaskets and o-rings, and instructions

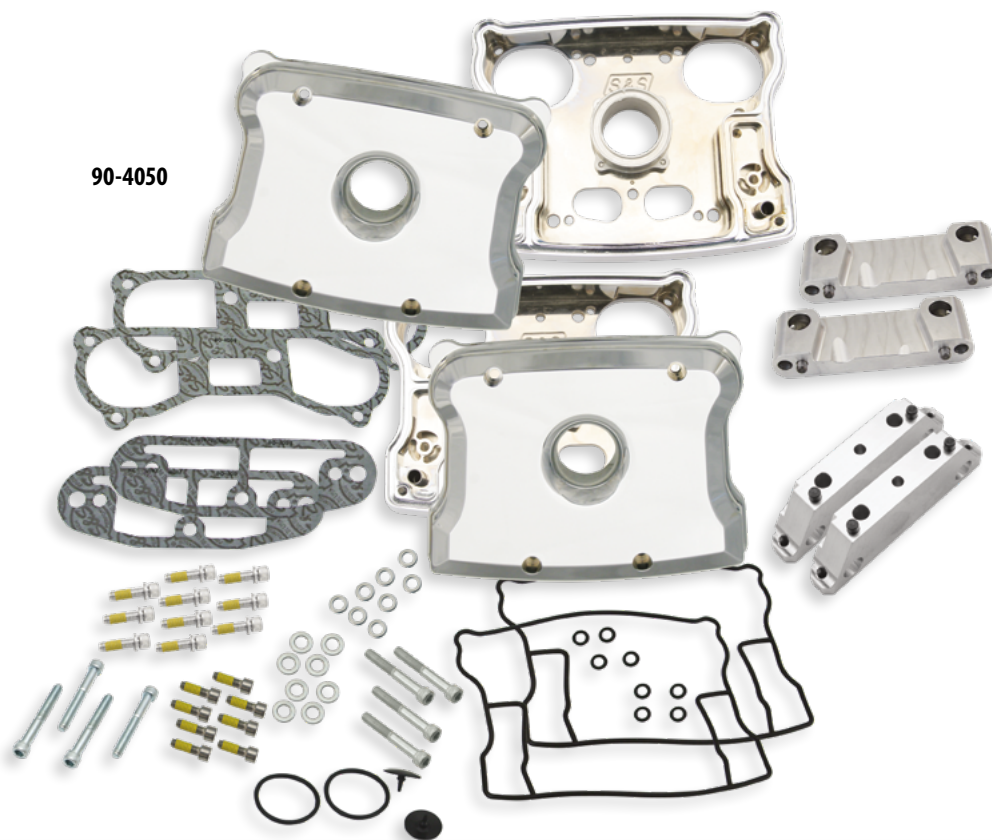
**REPLACEMENT PARTS: SEE 317**

**ANY JOB IS EASY WITH THE RIGHT TOOLS  
S&S ROCKER COVER WRENCH SET, 339**

BILLET ROCKER COVER KITS		
Finish	Part #	MSRP
Chrome	90-4050	\$1,709.95
Unfinished	90-4055	\$1,287.95

± WARNING: Cancer and Reproductive Harm – www.P65Warnings.ca.gov

REPLACEMENT GASKET KIT	
Description	Part #
Includes gaskets for two rocker covers	90-4049



SPORTSTER, STREET, NIGHTSTER, STREET ROD & BUELL





**FITMENT**

- 1986–'06 Harley-Davidson® Sportster® models
- 1994–'02 Buell® models

**FEATURES AND BENEFITS**

- Four fuel delivery ports — Better throttle response
- O-ring sealed idle mixture screw
- Increased air flow for more power
- Adjustable accelerator pump for quick throttle response and easy starting
- Utilization of the factory dual cable system ensures safe operation
- Direct replacement and high quality fit and finish — less down time and better performance
- Variable position enrichment starting system

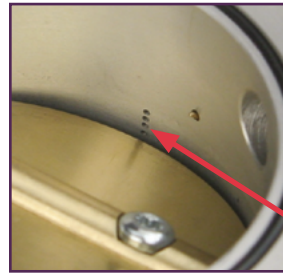
**KIT CONTENTS**

**FULL KIT** (For engines with stock length cylinders)

- Super E carburetor
- S&S intake manifold (stock length)
- Classic Teardrop air cleaner kit
- Mounting hardware and gaskets
- Instructions

**PARTIAL KIT**

- Super E carburetor
- Classic Teardrop air cleaner
- Mounting hardware
- Gaskets
- Instructions



As the throttle plate opens, it exposes more of these holes to engine vacuum and delivers more fuel as rpm increases. When you run out of holes in the intermediate system, the main jet comes in and handles fuel delivery for the higher rpm.

SUPER E COMPLETE CARBURETOR KITS		
Super E Models	Part #	MSRP
2004–'06 Sportster® models	11-0470	\$813.95
1991–'03 Sportster models	11-0409	\$782.95
1986–90 Sportster models	11-0408	\$782.95

SUPER E PARTIAL KIT (NO MANIFOLD)		
Models	Part #	MSRP
1991–'03 Sportster® models	11-0443	\$703.95
1986–'90 Sportster models	11-0440	\$710.95

**NOTE:**

Due to inadequate frame clearance, the taller throttle bracket cannot be used on 1986–'03 Harley-Davidson® Sportster® chassis. Therefore, these Sportster models require the installation of earlier butterfly style throttle cables. Kits for 2004–'06 Sportster models are compatible with stock throttle cables.

S&S® does not recommend polishing or chrome plating Super E & G carburetors. Our repair department has seen many carbs with plugged passages due to polishing compounds, and some carbs have been destroyed because the polishing or chrome plating had altered critical machined surfaces.

Recommended for closed circuit use only—S&S Super E & G carburetors shown in this catalog section are not approved for use on motor vehicles operated on California public highways, or in other states where similar pollution laws may apply. The user shall determine the suitability of the product for his or her use and shall assume all risk and liability in connection therewith.

1998–up Buell® models require the use of 1996–'97 throttle assembly.

S&S throttle cables must be used for all Buell applications.

NOT LEGAL FOR SALE OR USE IN CALIFORNIA ON ANY POLLUTION CONTROLLED MOTOR VEHICLE. NOT LEGAL FOR SALE OR USE NATIONWIDE ON ANY FEDERAL POLLUTION CONTROLLED MOTOR VEHICLE UNDER THE CLEAN AIR ACT

SUPER E & G CARBURETOR ONLY				
Fitment	Super E	MSRP	Super G	MSRP
All Years & Models	11-0420	\$458.95	11-0421	\$499.95

REPLACEMENT PARTS: SEE 334

MB

2007–'17  
TWIN CAM  
96"/103"/110"

1999–'06  
TWIN CAM  
88"

SPORTSTER, STREET,  
NIGHTSTER, STREET ROD  
& BUELL

TOOLS &  
SHOP  
SUPPLIES

WARRANTY &  
COMPANY  
POLICY

APPENDIX



**FEATURES AND BENEFITS**

- Exclusive black coating — heat and chemical resistant
- Offered in standard venturi or increased venturi diameter — specially machined for 7% more flow

**NOTE:**

These black carb kits do not include air cleaners.  
Air cleaner options are on 324



**BLACK CARBURETORS FOR 1986–2006 XL MODELS**

	Description	Part #	MSRP
Increased venturi diameter <i>(7% more flow)</i>	Super E Carb	<b>110-0099</b>	<b>\$514.95</b>
	Super G Carb	<b>110-0100</b>	<b>\$540.95</b>
Standard venturi diameter	Super E Carb	<b>110-0133</b>	<b>\$530.95</b>
	Super G Carb	<b>110-0138</b>	<b>\$530.95</b>

NOT LEGAL FOR SALE OR USE IN CALIFORNIA ON ANY POLLUTION CONTROLLED MOTOR VEHICLE. NOT LEGAL FOR SALE OR USE NATIONWIDE ON ANY FEDERAL POLLUTION CONTROLLED MOTOR VEHICLE UNDER THE CLEAN AIR ACT

SPORTSTER, STREET, NIGHTSTER, STREET ROD & BUELL

**Breather Conversion Kit**

**FITMENT**

- 1991–'03 Harley-Davidson® Sportster®

**FEATURES AND BENEFITS**

- Instead of o-rings, banjo fittings are sealed with durable silicon coated washers

*Breather conversion kit for xl engines updates earlier S&S® air cleaner kits for 1991–'03 Sportster® models to the latest breather hardware.*



**BREATHER CONVERSION KIT**

Fitment	Part #	MSRP
Super E 1 7/8" Carb	<b>17-0487</b>	<b>\$72.95</b>



Harley-Davidson® Sportster® models 1987–'03 originally fitted with a constant velocity (CV) carb require conversion to butterfly style throttle cables to work with the S&S butterfly type carburetor. The throttle cables shown in the chart below are designed for this application. S&S Super E carb kits for 2004–'06 Sportster models are designed to accept the stock throttle cables.



**FITMENT**

- 1986–'03 Harley-Davidson® Sportster® models
- 1996–'02 Buell® models

S&S® THROTTLE CABLE APPLICATION CHART							
Application	Fastening Method	Length Total Housing	Length Vinyl Housing	Open Side	MSRP	Close Side	MSRP
1996–'03	Snap-in	36"	32"	19-0436	\$81.95	19-0437	\$81.95
1986–'95	Threaded	36"	32"	19-0432	\$81.95	19-0433	\$81.95
1996–up Custom	Snap-in	42"	38"	19-0440	\$81.95	19-0441	\$81.95
1986–'95	Threaded	42"	38"	19-0446	\$81.95	19-0447	\$81.95

\*1998 and later required Harley-Davidson® throttle assembly #71831-96

REPLACEMENT PARTS		
Description	Part #	MSRP
S&S Universal Throttle Clamp	106-3520	\$50.95
Throttle Grip Clamp Set 1985–'95	106-3519	\$50.95
Top Throttle Grip Clamp only	19-0222	\$22.95
Bottom Throttle Grip Clamp only	19-0220	\$22.95
Throttle Grip Clamp Screw <i>(Fits S&amp;S throttle assemblies: Part #19-0448, #19-0449, #19-0482, #19-0450, and #19-0229)</i>	50-0043	\$6.95
Throttle Grip Set	106-3521	\$81.95
Right Hand Grip only	19-0225	\$50.95
Left Hand Grip only	19-0226	\$40.95
Cable Adjuster Fits S&S throttle assembly part #19-0229.	19-0223	\$9.95
Cable Adjuster Jam Nut Fits S&S throttle assembly part #19-0229	19-0227	\$4.95
Handlebar Spacing Sleeve 4" x 1" O.D. – converts 3/8" handlebars to 1" O.D.	19-0235	\$24.95



**NOTE:**

The chart on this page is used only when using throttle cable bracket part #11-2339. This bracket is standard on all S&S® Super E & G carburetor kits for Harley-Davidson® Sportster® models with the exception of the kit for 2004–'06 models.  
1987–'03 Sportster models originally fitted with a constant velocity (CV) carb require conversion to butterfly style throttle cables to work with the S&S butterfly type carburetor. S&S Super E carb kits for 2004–'06 Sportster models are designed to accept the stock throttle cables.

MB

2007–'17  
TWIN CAM  
96"/103"/110"

1999–'06  
TWIN CAM  
88"

SPORTSTER, STREET,  
NIGHTSTER, STREET ROD  
& BUELL

TOOLS &  
SHOP  
SUPPLIES

WARRANTY &  
COMPANY  
POLICY

APPENDIX



For those who need to rejet their carburetor because of engine modifications, exhaust modifications, or changes in altitude, we have extra jet kits available which are designed to cover most jetting situations.

DEALER JET KITS		
Description	Part #	MSRP
S&S Jet Kit (Includes 3 each of all intermediate jets and 5 each of all main jets, plus a main jet tool)	<b>11-3102</b>	<b>\$418.95</b>
WARNING: Cancer and Reproductive Harm – www.P65Warnings.ca.gov		

JET PACKS		
Description	Part #	MSRP
Low Range Jet Pack – For jetting most stock and moderate performance engines.		
Includes one each intermediate jets (.025", .0265", .028", .0295") one each main jets (.062", .064", .066", .068", .070", .072", .074")	<b>11-7270</b>	<b>\$71.95</b>
High Range Jet Pack – For jetting some stock and all performance engines		
Includes one each intermediate jets (.0295", .031", .032", .033") and one each main jets (.072", .074", .076", .078", .080", .082", .084")	<b>11-7271</b>	<b>\$71.95</b>
Master Jet Pack – For jetting all Super B, E, and G equipped engines		
Includes one each intermediate jets (.025", .0265", .028", .0295", .031", .032", .033") and one each main jets (.062", .064", .066", .068", .070", .072", .074", .076", .078", .080", .082", .084")	<b>11-7272</b>	<b>\$112.95</b>
WARNING: Cancer and Reproductive Harm – www.P65Warnings.ca.gov		



11-7272

INTERMEDIATE JETS — SERIES #94 INDIVIDUAL SELECTION							
Size	QTY	Part #	MSRP	Size	QTY	Part #	MSRP
.025	each	<b>11-0250</b>	<b>\$15.95</b>	.032	each	<b>11-0320</b>	<b>\$15.95</b>
	3 pack	<b>11-7107</b>	<b>\$40.95</b>		3 pack	<b>11-7112</b>	<b>\$40.95</b>
.0265	each	<b>11-0265</b>	<b>\$15.95</b>	.033	each	<b>11-0330</b>	<b>\$15.95</b>
	3 pack	<b>11-7108</b>	<b>\$40.95</b>		3 pack	<b>11-7113</b>	<b>\$40.95</b>
.028	each	<b>11-0280</b>	<b>\$15.95</b>	.036	each	<b>11-0360</b>	<b>\$15.95</b>
	3 pack	<b>11-7109</b>	<b>\$40.95</b>		3 pack	<b>11-7114</b>	<b>\$40.95</b>
.0295	each	<b>11-0295</b>	<b>\$15.95</b>	.040	each	<b>11-0400</b>	<b>\$15.95</b>
	3 pack	<b>11-7110</b>	<b>\$40.95</b>		3 pack	<b>11-7115</b>	<b>\$40.95</b>
.031	each	<b>11-0310</b>	<b>\$15.95</b>	Blank	each	<b>11-0000</b>	<b>\$11.95</b>
	3 pack	<b>11-7111</b>	<b>\$40.95</b>				
WARNING: Cancer and Reproductive Harm – www.P65Warnings.ca.gov							



106-3517

Early Series #94 gas jets were stamped with single digit numbers. Conversions for these numbers are:

- |        |       |        |       |
|--------|-------|--------|-------|
| 1..... | .025" | 4..... | .033" |
| 2..... | .028" | 5..... | .036" |
| 3..... | .031" | 6..... | .040" |

**NOTE:**

No returns or exchanges on jets.

SPORTSTER, STREET, NIGHTSTER, STREET ROD & BUELL



MAIN JETS - SERIES #72 INDIVIDUAL SIZE SELECTION							
Size	QTY	Part #	MSRP	Size	QTY	Part #	MSRP
.040	each	11-4040	\$14.95	.080	each	11-4080	\$14.95
	5 pack	11-7220	\$50.95		5 pack	11-7240	\$50.95
.042	each	11-4042	\$14.95	.082	each	11-4082	\$14.95
	5 pack	11-7221	\$50.95		5 pack	11-7241	\$50.95
.044	each	11-4044	\$14.95	.084	each	11-4084	\$14.95
	5 pack	11-7222	\$50.95		5 pack	11-7242	\$50.95
.046	each	11-4046	\$13.95	.086	each	11-4086	\$14.95
	5 pack	11-7223	\$50.95		5 pack	11-7243	\$50.95
.048	each	11-4048	\$14.95	.088	each	11-4088	\$14.95
	5 pack	11-7224	\$50.95		5 pack	11-7244	\$50.95
.050	each	11-4050	\$14.95	.090	each	11-4090	\$13.95
	5 pack	11-7225	\$50.95		5 pack	11-7245	\$49.95
.052	each	11-4052	\$14.95	.092	each	11-4092	\$15.95
	5 pack	11-7226	\$50.95		5 pack	11-7246	\$50.95
.054	each	11-4054	\$14.95	.094	each	11-4094	\$15.95
	5 pack	11-7227	\$50.95		5 pack	11-7247	\$50.95
.056	each	11-4056	\$14.95	.096	each	11-4096	\$14.95
	5 pack	11-7228	\$50.95		5 pack	11-7248	\$50.95
.058	each	11-4058	\$14.95	.098	each	11-4098	\$14.95
	5 pack	11-7229	\$50.95		5 pack	11-7249	\$50.95
.060	each	11-4060	\$14.95	.100	each	11-4100	\$14.95
	5 pack	11-7230	\$50.95		5 pack	11-7250	\$50.95
.062	each	11-4062	\$14.95	.102	each	11-4102	\$14.95
	5 pack	11-7231	\$50.95		5 pack	11-7251	\$50.95
.064	each	11-4064	\$14.95	.104	each	11-4104	\$14.95
	5 pack	11-7232	\$50.95		5 pack	11-7252	\$50.95
.066	each	11-4066	\$14.95	.106	each	11-4106	\$14.95
	5 pack	11-7233	\$50.95				
.068	each	11-4068	\$14.95	.110	each	11-4110	\$15.95
	5 pack	11-7234	\$50.95		5 pack	11-7255	\$50.95
.070	each	11-4070	\$14.95	.115	each	11-4115	\$14.95
	5 pack	11-7235	\$50.95		5 pack	11-7256	\$50.95
.072	each	11-4072	\$14.95	.120	each	11-4120	\$14.95
	5 pack	11-7236	\$50.95		5 pack	11-7257	\$50.95
.074	each	11-4074	\$14.95	WARNING: Cancer and Reproductive Harm – www.P65Warnings.ca.gov			
	5 pack	11-7237	\$50.95				
.076	each	11-4076	\$14.95	WARNING: Cancer and Reproductive Harm – www.P65Warnings.ca.gov			
	5 pack	11-7238	\$50.95				
.078	each	11-4078	\$14.95	WARNING: Cancer and Reproductive Harm – www.P65Warnings.ca.gov			
	5 pack	11-7239	\$50.95				

MAIN JET AIR BLEED KIT (One Jet Each Size)		
Sizes	Part #	MSRP
.042" – .060"	106-3517	\$90.95
.084" – .120"	106-3518	\$73.95
WARNING: Cancer and Reproductive Harm – www.P65Warnings.ca.gov		

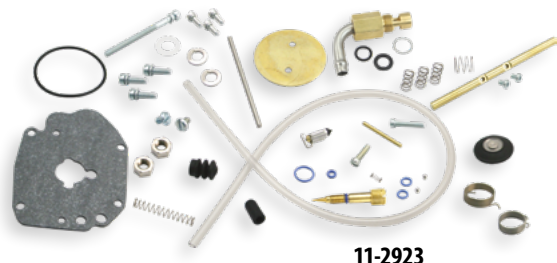
**S&S® CARBURETOR REBUILD KITS**

To insure that you continue to get the utmost in performance from your S&S carburetor, we have put together a series of rebuild kits that are designed to provide the proper parts to return a worn carburetor to top shape. We have assembled different types of kits to cover the different degrees of rebuild necessary.

**MASTER REBUILD KITS**

Master rebuild kits contain a body rebuild kit, accelerator pump rebuild kit (Super E and G only), all new fasteners, springs, idle mixture screw, seat, and needle assembly. Everything needed to completely rebuild one carburetor.

MASTER REBUILD KIT		
Description	Part #	MSRP
Super E	11-2923	\$112.95
Super G	11-2924	\$112.95
WARNING: Cancer and Reproductive Harm – www.P65Warnings.ca.gov		



11-2923

**BODY REBUILD KITS**

Body rebuild kits for Super E and G carbs also contain throttle shaft nuts, nylon washers, accelerator pump o-ring, and accelerator pump boot. Body rebuild kits for Super E and G carbs do not contain throttle shaft bushings since these carbs have stainless steel throttle shaft bushings already installed.

BODY REBUILD KIT		
Description	Part #	MSRP
Super E	11-2906	\$61.95
Super G	11-2907	\$61.95
WARNING: Cancer and Reproductive Harm – www.P65Warnings.ca.gov		



11-2907

**BASIC REBUILD KIT**

A gasket and seal kit for low mileage Super E & G carbs. Perfect to reassemble carbs taken apart for inspection and cleaning.

BASIC REBUILD KIT		
Description	Part #	MSRP
Super E & G	110-0067	\$50.95
WARNING: Cancer and Reproductive Harm – www.P65Warnings.ca.gov		



**ACCELERATOR PUMP REBUILD KITS**

Accelerator pump rebuild kits contain diaphragm, diaphragm spring, check balls, check ball spring, pump pushrod, and required hardware and o-rings.

ACCELERATOR PUMP REBUILD KIT		
Description	Part #	MSRP
Super E & G	11-2918	\$28.95



MB

2007 - '17  
TWIN CAM  
96"/103"/110"

1999 - '06  
TWIN CAM  
88"

SPORTSTER, STREET,  
NIGHTSTER, STREET ROD  
& BUELL

TOOLS &  
SHOP  
SUPPLIES

WARRANTY &  
COMPANY  
POLICY

APPENDIX



**FITMENT**

- 1986-'03 Harley-Davidson® Sportster® models
- Can be used with S&S Super B and Super E carburetors, as well as stock carburetors with a two-bolt mounting pattern

**FEATURES AND BENEFITS**

- Increased airflow
- Eliminates the possibility of severe engine damage due to extreme lean conditions created by cracks in stock rubber manifolds

**KIT CONTENTS**

- Manifold
- Front and rear mounting flanges
- Manifold o-rings
- Aluminum spacer shims



MANIFOLD CONVERSION KITS FOR SPORTSTER® MODELS				
Year	Cylinder Length	Size No.	Part #	MSRP
1986-'03	4.650"	341	<b>16-1650*</b>	<b>\$254.95</b>

\*Fits S&S ES, LS, Super B, Super E, Tillotson®, Bendix®, Keihin®

REPLACEMENT PARTS MANIFOLD CONVERSION KIT			
Description	Part #	MSRP	
Manifold	<b>16-1620</b>	<b>\$131.95</b>	
Flanges	Front 27009-86A	each	<b>16-0232</b> <b>\$72.95</b>
		5 pack	<b>16-0600</b> <b>\$336.95</b>
	Rear 27010-86A	each	<b>16-0233</b> <b>\$72.95</b>
		5 pack	<b>16-0601</b> <b>\$339.95</b>
Set (Front & Rear)	<b>106-3516</b>	<b>\$173.95</b>	
O-rings		each	<b>16-0235</b> <b>\$11.95</b>
		10 pack	<b>16-0243</b> <b>\$61.95</b>
0.350" Spacers	<b>50-7044</b>	<b>\$7.95</b>	

**NOTE:**

These manifolds may change the way a stock carburetor and air cleaner assembly fit. This means that these components may require shimming and/or a slight change in mount bracketing.

S&S style o-rings must be used with these manifolds. S&S o-rings are slightly thinner to accommodate the larger S&S port diameter. Use of stock o-rings may damage the manifold.

**Intake Manifolds**

**FITMENT**

- 1986-'06 Harley-Davidson® Sportster® models
- S&S carburetors and other carbs with the same mounting bolt pattern

**FEATURES AND BENEFITS**

- Increases airflow



16-1620



16-1519

REPLACEMENT PARTS FOR MANIFOLDS		
Description	Part #	MSRP
Manifold Fitting VOES Rubber Cap, 3/16" I.D. x 5/16" O.D. x 1/2"	<b>50-8372</b>	<b>\$6.95</b>
Manifold Vacuum Fitting	<b>16-0136-S</b>	<b>\$8.95</b>



16-0136-S



50-8372

MANIFOLDS FOR 2004-'06 HARLEY-DAVIDSON® SPORTSTER® MODELS				
Displacement	Cylinder Length	Size No.	S&S Super E	MSRP
1200cc	Stock (4.650")	335	<b>16-1519*</b>	<b>\$132.95</b>

\*Replacement for manifold supplied in S&S part #11-0470 Super E carb kit. 1 7/8" bore.

MANIFOLDS FOR 1986-'03 HARLEY-DAVIDSON® SPORTSTER® MODELS						
S&S Engine Kit Displacement	Cylinder Length	Size #	Carburetor Type			
			S&S ES, LS, Super A, B, E, Tillotson®, Bendix®, Keihin®	MSRP	Super G	MSRP
883cc, 1100cc, 1200cc, 79"	Stock (4.650")	341	<b>16-1620</b>	<b>\$131.95</b>	<b>16-2520</b>	<b>\$152.95</b>
100"	4.420"	357	—		—	—
103"	5.750"	426	—		<b>16-2532</b>	<b>\$164.95</b>

Manifolds available in 1 7/8", 2 1/16", or 2 1/4" bore.

SPORTSTER, STREET, NIGHTSTER, STREET ROD & BUELL



**HIGH OUTPUT COILS**

S&S High Output 3.0Ω Single Fire Coil	Part #	MSRP
<i>The perfect complement for S&amp;S IST ignition systems. This single fire coil is actually two separate coils in a single package. Coil impedance is 3Ω per coil.</i>	<b>55-1571</b>	<b>\$193.95</b>
S&S High Output 0.5Ω Single Fire Coil <sup>USA</sup>	<b>55-1576</b>	<b>\$173.95</b>
<i>High output 0.5Ω single fire coil for S&amp;S IST ignition. 55-1571</i>		



55-1576



55-1571

**Gaskets**

**TOP END GASKET KITS FOR S&S SB-SERIES ENGINES 1986-'03**

4"	<b>90-9503</b>	<b>\$91.95</b>
3 5/8"	<b>90-9509</b>	<b>\$92.95</b>

**CYLINDER HEAD, BASE & EXHAUST GASKET KITS FOR S&S SB-SERIES ENGINES 1986-'03**

4"	.043" Micropore	<b>90-1909</b>	<b>\$50.95</b>
3 5/8"	.045" Micropore	<b>90-1908</b>	<b>\$53.95</b>
3 1/2"	.045" Micropore	<b>90-1907</b>	<b>\$61.95</b>
	.030" Layered Steel	<b>900-0532</b>	<b>\$81.95</b>

**HEAD GASKETS**

4"	.043" Micropore	each	<b>93-1040-S</b>	<b>\$17.95</b>
		2 pack	<b>930-0087</b>	<b>\$27.95</b>
		10 pack	<b>93-1071</b>	<b>\$163.95</b>
3 5/8"	.045" Micropore	each	<b>93-1037-S</b>	<b>\$15.95</b>
		2 pack	<b>930-0091</b>	<b>\$29.95</b>
		10 pack	<b>93-1052</b>	<b>\$164.95</b>
	.0625" Micropore	each	<b>93-1016-S</b>	<b>\$23.95</b>
		2 pack	<b>930-0097</b>	<b>\$52.95</b>
		10 pack	<b>93-1011-S</b>	<b>\$29.95</b>
3 1/2"	.045" Micropore 16770-84D, 16770-84F	2 pack	<b>930-0098</b>	<b>\$50.95</b>
		10 pack	<b>93-1024</b>	<b>\$275.95</b>
		each	<b>900-0530</b>	<b>\$31.95</b>
	.030" Layered Steel	each	<b>93-1011-S</b>	<b>\$29.95</b>

**BASE GASKETS AND O-RINGS**

4"	.018" Micropore	each	<b>93-1031-S</b>	<b>\$10.95</b>
		2 pack	<b>930-0094</b>	<b>\$14.95</b>
		10 pack	<b>93-1067</b>	<b>\$61.95</b>
3 5/8"	.018" Micropore	each	<b>93-1039-S</b>	<b>\$9.95</b>
3 1/2"	.018" Micropore 16777-83A, 16774-86D	each	<b>93-1038-S</b>	<b>\$9.95</b>

**EXHAUST GASKETS**

1986-2003 Sportster® models 65324-83B, 65324-83A	each	<b>106-5029</b>	<b>\$7.95</b>
	10 pack	<b>93-1072</b>	<b>\$71.95</b>

**VALVE GUIDE SEALS**

1986-2003 Sportster® models	each	<b>900-0338</b>	<b>\$7.95</b>
-----------------------------	------	-----------------	---------------

**ROCKER BOX GASKET KITS AND INDIVIDUAL GASKETS**

S&S Billet			
Gasket Kit		<b>90-4049</b>	<b>\$91.95</b>
O-ring, (-223), 1.625" ID x 1.875" OD, Viton®	each	<b>50-8044</b>	<b>\$6.95</b>
Seal, Umbrella Valve Cover 26856-89, 26856-89A <sup>USA</sup>		<b>90-4030</b>	<b>\$7.95</b>
Gasket, Rocker Cover, S&S® Billet, O-ring, 1986-2003 xl		<b>90-4048</b>	<b>\$21.95</b>
Gasket, Bottom, Rocker Cover, 1986-2003 xl	each	<b>900-0538</b>	<b>\$17.95</b>
	2 pack	<b>900-0592</b>	<b>\$40.95</b>
Gasket, Kit, Rocker Box, 1986-'90 xl 17026-91A		<b>900-0773</b>	<b>\$91.95</b>
Gasket, Kit, Rocker Box, 1991-2003 xl 17026-91A		<b>900-0774</b>	<b>\$89.95</b>
Gasket, Kit, Rocker Box, 2004-'06 xl		<b>900-0775</b>	<b>\$91.95</b>
Gasket, Kit, Rocker Box, 2007-up xl		<b>900-0776</b>	<b>\$91.95</b>

**LOWER END GASKETS AND SEALS**

Gearcover gasket	each	<b>31-2052</b>	<b>\$12.95</b>
Camshaft Oil Seals, 1971 - up 11124		<b>31-4051</b>	<b>\$23.95</b>



90-9503



93-1011-S

93-1039-S

All reference to HD® part numbers is for identification purposes only. We in no way are implying that any of S&S® Cycle's products are original equipment parts or that they are equivalent to the corresponding H-D part number shown.


AMB  
2007-'17 TWIN CAM 96"/103"/110"  
1999-'06 TWIN CAM 88"  
SPORTSTER, STREET, NIGHTSTER, STREET ROD & BUELL  
TOOLS & SHOP SUPPLIES  
WARRANTY & COMPANY POLICY  
APPENDIX



TAPPET GUIDE O-RINGS			
1" I.D. x 1 3/16" O.D. x 3/32" CS (upper) 11167	each	50-8004	\$6.95
1" I.D. x 1 1/8" O.D. x 1/16" CS (lower) 11168A	each	50-8005	\$6.95
3/8" I.D. x 1/2" O.D. x 1/16" CS (oil hole) 11110	each	50-8006	\$6.95
	10 pack	50-8077	\$12.95

PUSHROD O-RINGS			
O-ring, Kit, Pushrod Cover, 1986-2003 xl		93-4022	\$12.95
Top O-ring 11293, 11157, 11101, 11190	each	50-8039	\$6.95
Middle O-ring 11132A	each	50-8038	\$6.95
Bottom O-ring 11145A	each	50-8037	\$6.95

SPROCKET SHAFT SEAL			
1991-'03 35151-74A		31-4060	\$24.95
1991-'03 S&S SA cases, BT style 12026B		31-4010	\$13.95

FUEL SYSTEM GASKETS			
Manifold Seals			
S&S Manifold O-ring	each	16-0235	\$11.95
	10 pack	16-0243	\$61.95
Stock Manifold O-ring  26995-86B, 26995-86A, 26992-99	each	16-0236	\$10.95
	10 pack	16-0244	\$60.95
Cap, rubber, manifold, fitting		50-8372	\$6.95

CLASSIC TEARDROP AIR CLEANER			
Back Plate gasket	each	106-1724	\$8.95
	10 pack	106-2328	\$40.95
Vent seal washers silicone coated steel 1/2"	each	50-7055	\$7.95
	10 pack	50-7057	\$17.95

STEALTH AIR CLEANER			
Back Plate gasket			
Stock CV Carb & EFI Throttle Body, 1991-up xl 29062-95B		106-6022	\$8.95
Super E/G.	each	106-1724	\$8.95
	10 pack	106-2328	\$40.95
Vent seal washers silicone coated steel, 520" x .880" x .024" xl 1991-'06	each	50-7055	\$7.95
	10 pack	50-7057	\$17.95



SINGLE BORE TUNED INDUCTION SYSTEM			
Back Plate gasket			
Gasket, Backplate - E/G/SBEFI	each	106-1724	\$8.95
	10 pack	106-2328	\$40.95
Gasket, S&S SBEFI 58mm		106-4662	\$10.95
Gasket, Stock carb/Throttle Body 29062-95B		106-6022	\$8.95
Adaptor plate gasket		17-1022	\$10.95
Adaptor plate bracket o-ring	each	50-0446	\$8.95

CARBURETOR GASKETS				
Bowl Gasket, Super E & G		11-2386	\$8.95	
Pump cap o-ring - (two required)	each	50-8012	\$6.95	
	10 Pack	50-8100	\$16.95	
Idle Mixture Needle o-ring	each	500-0036	\$6.95	
	10 pack	500-0148	\$12.95	
Bellows Seal, Accelerator Pump		11-2266	\$9.95	
Accelerator pump diaphragm		11-2282	\$21.95	
Manifold to carb orings various sizes	Super E	each	50-8016	\$6.95
		10 pack	50-8094	\$14.95
	Super G	each	50-8015	\$7.95
		10 pack	50-8093	\$15.95
Seat and bowl plug o-ring	each	50-8009	\$6.95	
	10 pack	50-8095	\$19.95	



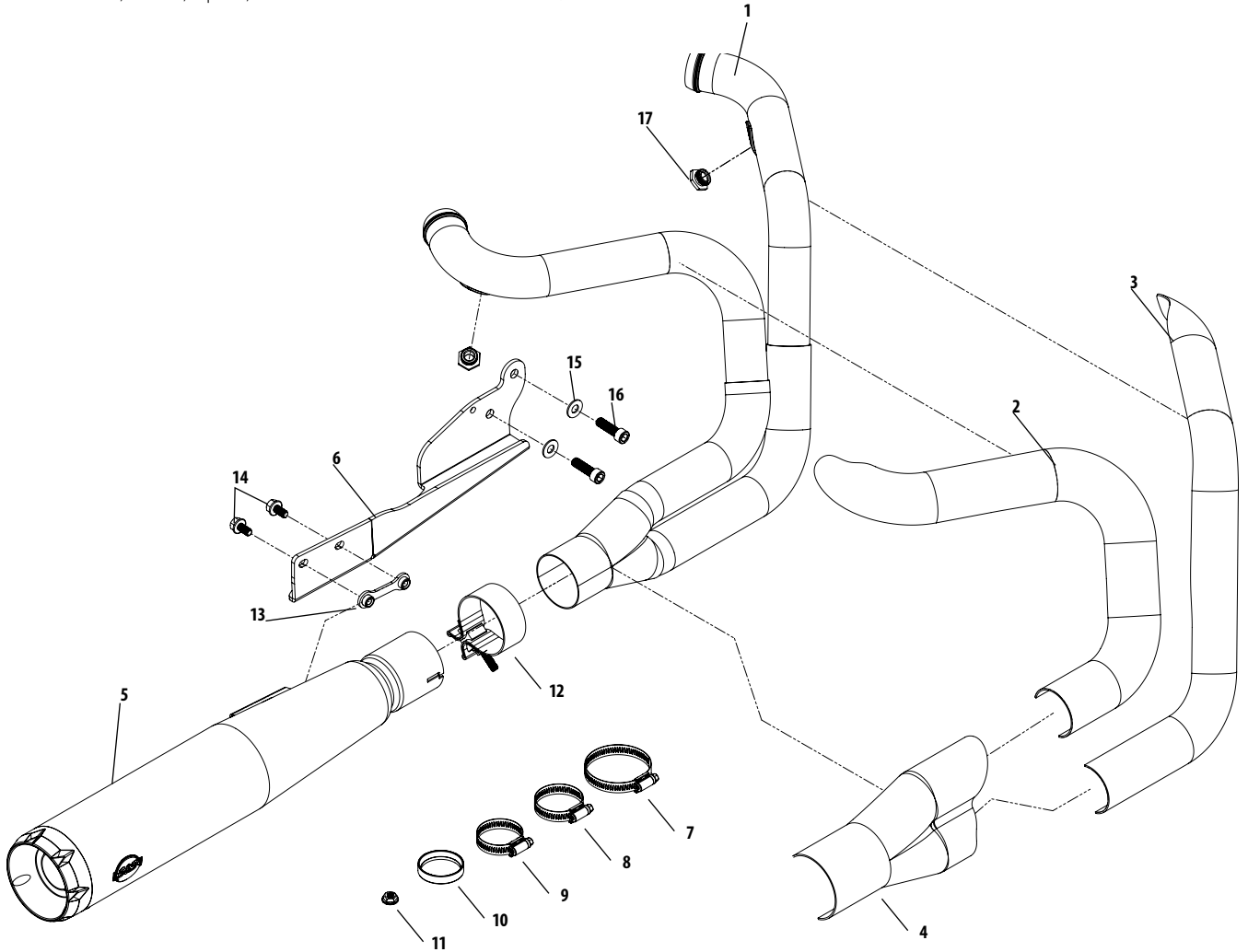
SPORTSTER, STREET, NIGHTSTER, STREET ROD & BUELL

All reference to HD® part numbers is for identification purposes only. We in no way are implying that any of S&S® Cycle's products are original equipment parts or that they are equivalent to the corresponding H-D part number shown.





- |  |                  |          |  |                  |         |
|--|------------------|----------|--|------------------|---------|
| 1. Header .....                                    | <b>551-1138</b>  | \$316.95 | 11. Nut, HSFH, 5/16-24 UNF-2B x .283", Zinc, Steel, 2 Pack ... | <b>50-5025-2</b> | \$7.95  |
| 2. Heat Shield, Rear.....                          | <b>551-1144</b>  | \$132.95 | 12. Clamp, Muffler, Band Style, 2.5".....                      | <b>551-0135</b>  | \$15.95 |
| 3. Heat Shield, Front .....                        | <b>551-1141</b>  | \$132.95 | 13. Plate, Nut, 5/16-18 x 2", Clear, Zinc.....                 | <b>551-0469</b>  | \$5.95  |
| 4. Heat Shield, Collector.....                     | <b>551-1139</b>  | \$83.95  | 14. Screw, Flanged, 5/16-18 x 5/8", Zinc Plated .....          | <b>500-0984</b>  | \$4.95  |
| 5. Muffler, 2007-'13 .....                         | <b>551-1148</b>  | \$346.95 | 15. Washer, Flat, .375" x .813" x .063", Zinc, Steel .....     | <b>50-7051</b>   | \$4.95  |
| Muffler, 2014-'20 .....                            | <b>551-1149A</b> | \$801.95 | 16. Screw, SHCS, 3/8-16 x 1-1/4", Zinc, Steel.....             | <b>50-0162</b>   | \$4.95  |
| 6. Bracket .....                                   | <b>551-1153</b>  | \$39.95  | 17. Adapter, Oxygen Sensor, 12mm to 18mm, Stainless Steel      | <b>550-0375</b>  | \$14.95 |
| 7. Clamp, Hose, Worm Drive, SAE #40 .....          | <b>551-0402</b>  | \$6.95   |  |                  |         |
| 8. Clamp, Hose, Worm Drive, SAE #24.....           | <b>500-0791</b>  | \$4.95   |  |                  |         |
| 9. Clamp, Hose, Worm Drive, SAE #20 .....          | <b>551-0527</b>  | \$4.95   |  |                  |         |
| 10. Gasket, Exhaust, Tapered, Stainless Steel..... | <b>106-5029</b>  | \$71.95  |  |                  |         |



MB

2007-'17  
TWIN CAM  
96"/103"/110"

1999-'06  
TWIN CAM  
88"

SPORTSTER, STREET,  
NIGHTSTER, STREET ROD  
& BUELL

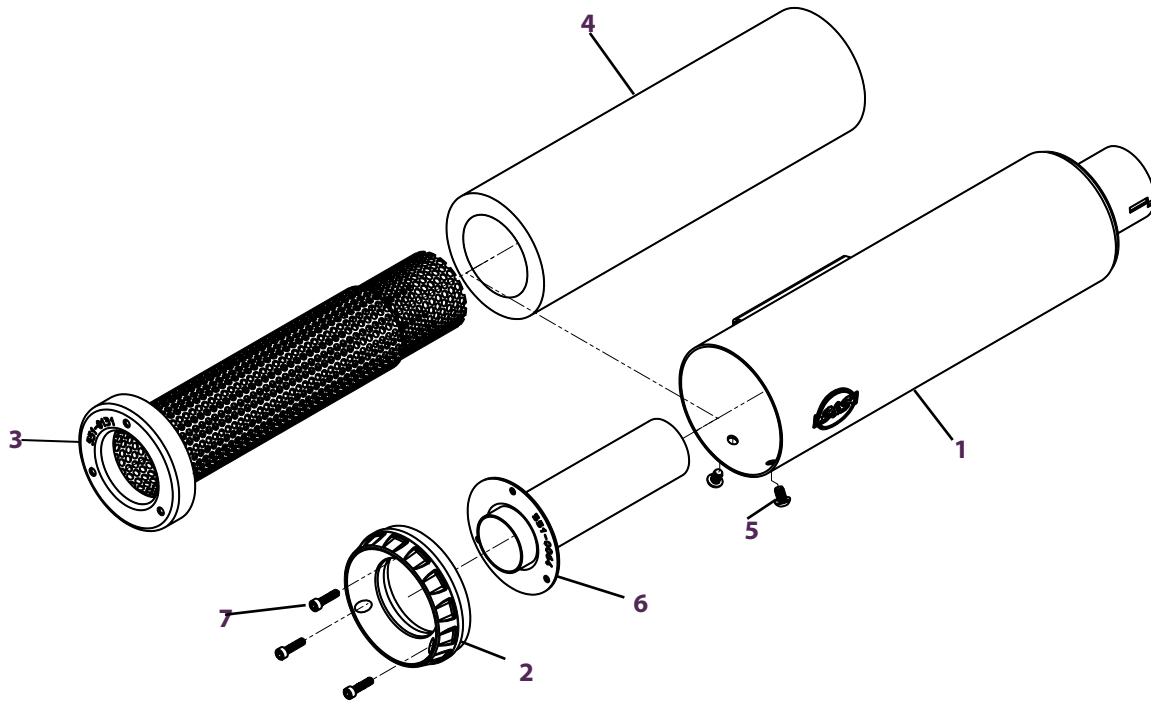
TOOLS &  
SHOP  
SUPPLIES

WARRANTY &  
COMPANY  
POLICY

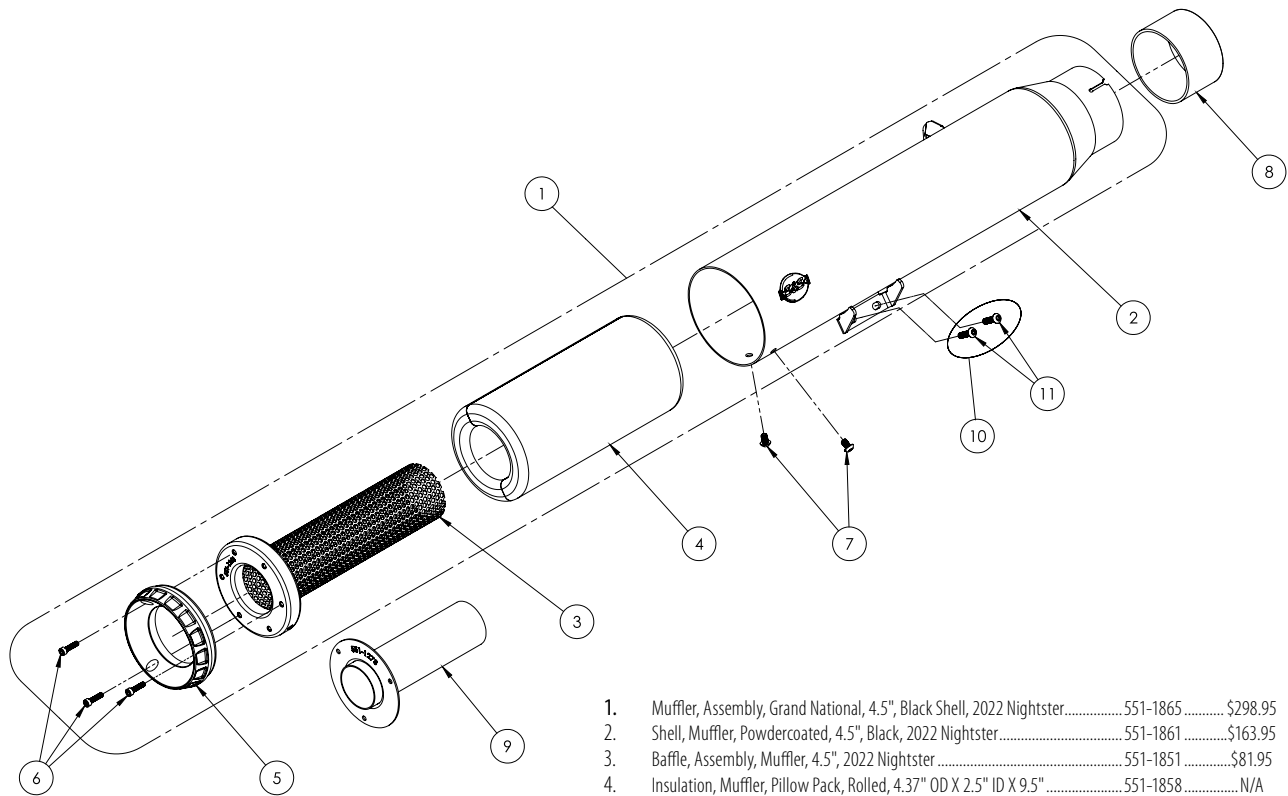
APPENDIX

For Street® Replacement parts

- 1. Muffler, Body (shown for placement only)..... **N/A** -
- 2. End cap, 4"..... **551-0291** \$50.95
- 3. Baffle Assembly, 2014-2017 HD® Street®..... **551-0270** \$81.95
- 4. Insulation, Muffler, Pillow Pack, 13" x 11.5"..... **551-0276** \$24.95
- 5. Screw, BHC, High Temp Lock Patch, 1/4-20 x 3/8", Stainless Steel  
(2 Req)..... **500-0441** \$4.95
- 6. Baffle, asm, muffler, 4"..... **551-0063** \$30.95
- 7. SHCS, 10-32 x .75" (3 Req)..... **500-0569** \$4.95

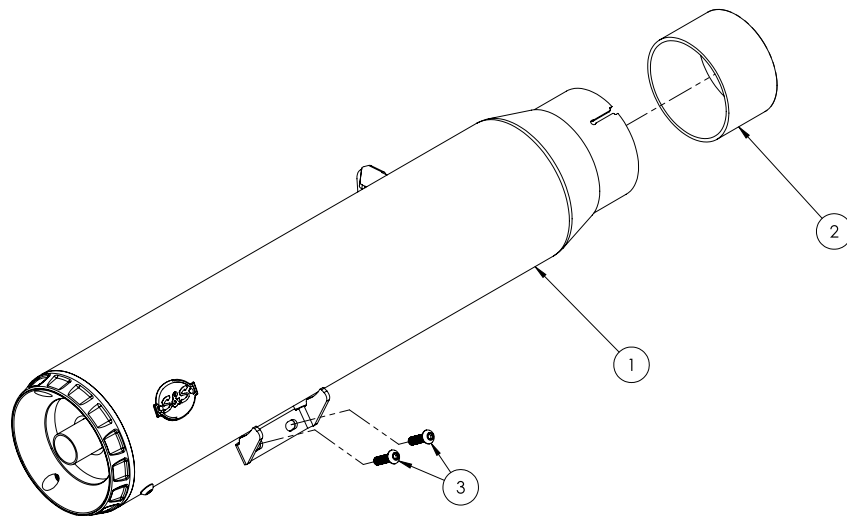


SPORTSTER, STREET,  
NIGHTSTER, STREET ROD  
& BUELL



1. Muffler, Assembly, Grand National, 4.5", Black Shell, 2022 Nightster.....551-1865.....\$298.95
2. Shell, Muffler, Powdercoated, 4.5", Black, 2022 Nightster.....551-1861.....\$163.95
3. Baffle, Assembly, Muffler, 4.5", 2022 Nightster.....551-1851.....\$81.95
4. Insulation, Muffler, Pillow Pack, Rolled, 4.37" OD X 2.5" ID X 9.5".....551-1858.....N/A
5. Cap, End, Muffler, Grand National, Powdercoated, 4.5", Black, Die Cast.....551-1251.....\$40.95
6. Screw, SHC, High Temp Lock Patch, 10-32 x 3/4", Stainless Steel.....500-0569.....\$4.95
7. Screw, BHC, High Temp Lock Patch, 1/4-20 x 3/8", Stainless Steel.....500-0441.....\$4.95
8. Gasket, Muffler, 3.37" OD x 3.15" ID x 2", Stainless Grafoil.....551-1857.....\$76.95
9. Insert, Assembly, Muffler, 4.5" OD Shell, 2" x .049" Wall x 6.5", SAE J2825.....551-1274.....\$34.95
10. Hardware Kit, Muffler, 2022 Nightster.....551-1866.....\$50.95
11. Screw, BHC, High Temp Lock Patch, M6 x 22, Stainless Steel.....500-1353.....\$4.95

ECE Grand National Slip-Ons 4"



1. MUFFLER, ASSEMBLY, GRAND NATIONAL, 4.5", BLACK, 2022 NIGHTSTER EUROSS1-2005.....N/A
2. GASKET, MUFFLER, 3.37" OD X 3.15" ID X 2", STAINLESS GRAFOIL.....551-1857.....\$76.95
3. Screw, BHC, High Temp Lock Patch, M6 x 22, Stainless Steel.....500-1353.....\$4.95

MB

2007-'17  
TWIN CAM  
96"/103"/110"

1999-'06  
TWIN CAM  
88"

SPORTSTER, STREET,  
NIGHTSTER, STREET ROD  
& BUELL

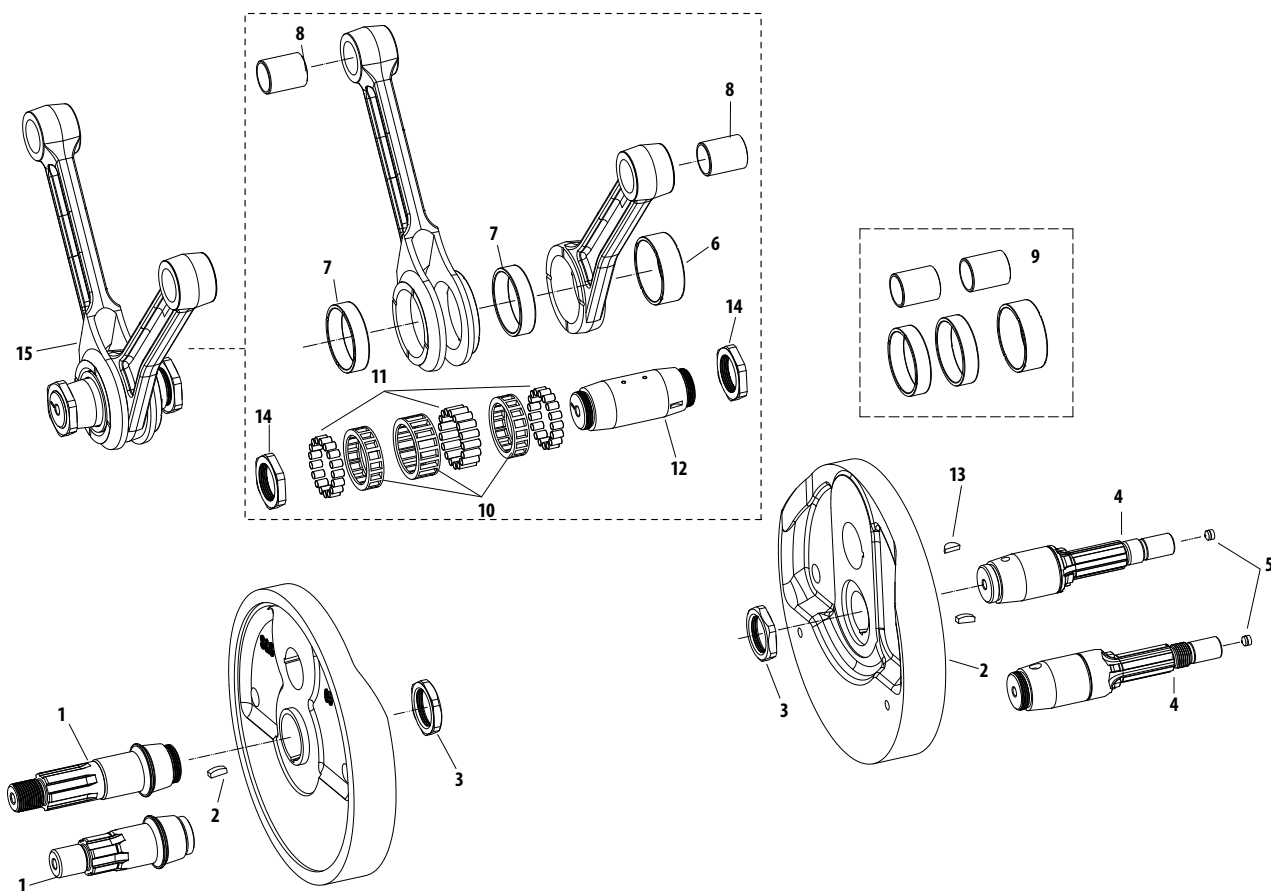
TOOLS &  
SHOP  
SUPPLIES

WARRANTY &  
COMPANY  
POLICY

APPENDIX



1. Sprocket Shaft (includes #2 & 3)  
1986-1990 xl w/ S&S D/SB/SBD/SC/SCD/SCDR/SCR flywheels ..... **33-2302** \$214.95  
1991-2003 xl w/ S&S D flywheels & 1994-1999 Buell ..... **33-2303** \$224.95
2. Key (each) ..... **50-8224** \$12.95
3. Nut ..... **33-2331** \$13.95
4. Pinion Shaft 1986-2003 xl (includes #2, 3, 5)  
w/S&S D/DR flywheels / 1994-1999 Buell ..... **33-2325** \$305.95  
w/S&S D/DR/DF flywheels - Special Application, +.500" ..... **33-2329** \$305.95
5. Meter Plug-  
.0625" hole ..... **50-8316±** \$10.95  
no hole - Special application ..... **50-8314±** \$7.95
6. Front Rod Race 24352-52A ..... **34-4505** \$101.95
7. Rear Rod Race 24341-52A ..... **34-4506** \$91.95
8. Wrist Pin Bushing  
.767" x .895" x .950" 24331-36  
(for use with Heavy Duty Rods) ..... **34-4507** \$16.95  
.767" x .895" x 1.077" 24334-36  
(for use with Supreme Rods) ..... **34-4007** \$11.95
9. Race and Bushing Set (includes #6, 7, 8)  
(for use with Heavy Duty Rods) ..... **34-4540** \$193.95
10. Alloy Bearing Cage Set ..... **34-4520** \$71.95
11. Bearing Set  
Standard 24354-87A ..... **34-4521** \$101.95
12. Crankpin (includes #13 & 14) Late 1981-1999 Sportster  
Standard 23960-80A ..... **34-2602** \$163.95  
.001" OS 23948-87 ..... **34-2603** \$163.95  
.002" OS 23949-87 ..... **34-2605** \$163.95
13. Crankpin Key late 1981-1999 Sportster / 1994-1999 Buell 11218  
each ..... **50-8222-S** \$6.95  
5 pack ..... **50-1009** \$13.95
14. Crankpin Nut ..... **34-2504** \$19.95
15. Connecting Rod Set- 1986-1999 Sportster / 1994-1999 Buell  
(includes #9, 10, 11, 12, 13, 14)  
Heavy Duty/6.926" rod length- for stock stroke engines  
24275-86A ..... **34-7800** \$1,019.95



**NOTE:**

S&S® connecting rods, with their beefier than stock construction, are slightly heavier than stock connecting rods. Therefore, rebalancing the flywheels is recommended when S&S connecting rods are used in stock replacement applications. We realize that rebalancing is an inconvenience, but we did not want to sacrifice rod strength for convenience's sake. In addition, given the variations in stock and aftermarket components available to engine builders, flywheel rebalancing is a desirable step in any major engine overhaul. In some cases, stock flywheels will need to be relieved to clear the rods.

All S&S mainshafts for Harley-Davidson® Sportster® models are designed for use in flywheels with tapered mainshaft holes. 1986-later stock flywheels have mainshafts which are manufactured as an integral part of the flywheel.

S&S pinion shafts for 1986-'03 Sportster models are the splined 1986-'87 style. Pinion and oil pump drive gears in 1988-'03 models must be replaced with early style gears.

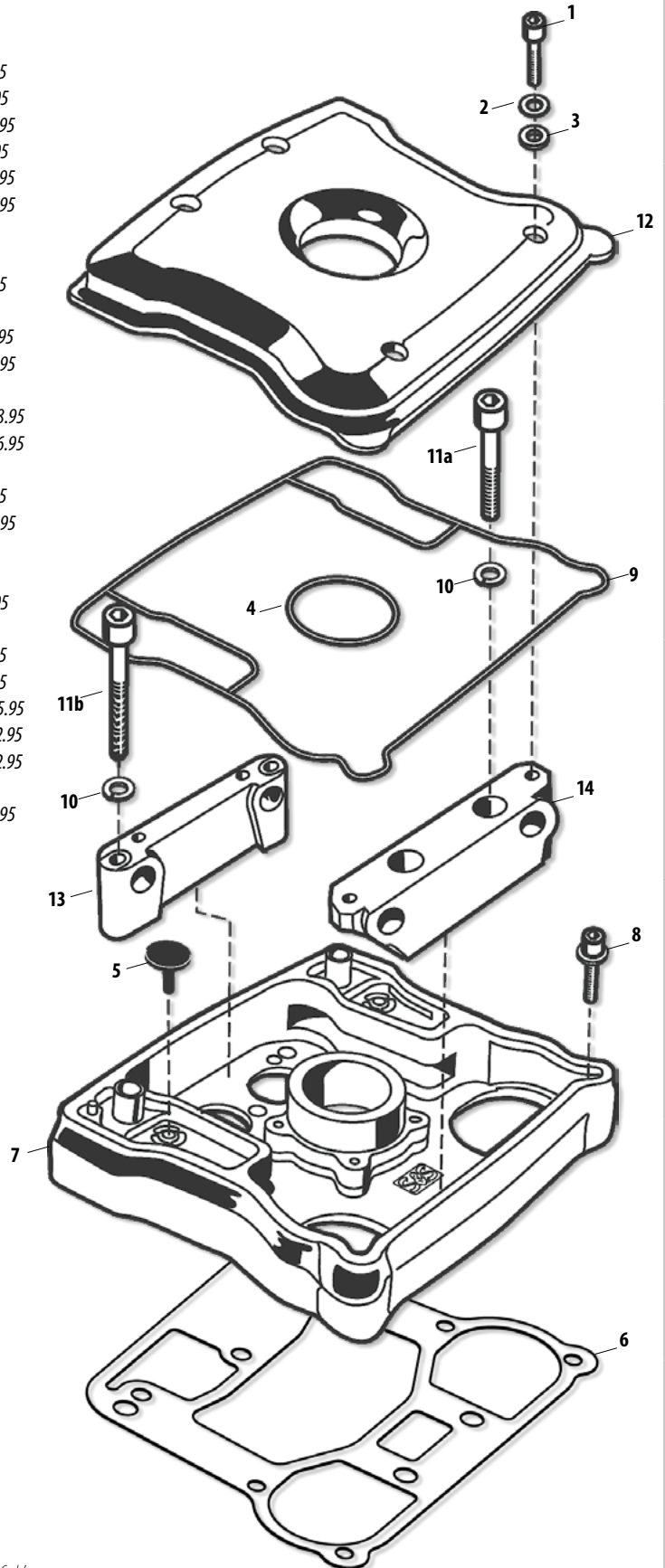
± WARNING: Cancer and Reproductive Harm - www.P65Warnings.ca.gov

SPORTSTER, STREET, NIGHTSTER, STREET ROD & BUELL



For 1986-'03 Harley-Davidson® Sportster® & Buell® Models

1. Screw, SH - 1/4"-20 x 3/4" 4069A (each) ..... **50-0067** \$7.95
2. Washer, flat - 1/4" (each) ..... **50-7017** \$6.95  
12 pack ..... **50-7013** \$12.95
3. Washer, flat - 1/4" rubber covered (each) ..... **50-7015** \$6.95  
8 pack ..... **50-7015-8** \$12.95  
12 pack ..... **50-7015-12** \$15.95
4. O-ring - 1 5/8" I.D. x 1 7/8" O.D. x 1/8" CS Viton®
5. Rocker cover umbrella valve 26856-89, 26856-89A  
1990-up xl ..... **90-4030** \$7.95
6. Gasket, Bottom, Rocker Cover, 1986-2003  
each ..... **900-0538** \$17.95  
2 pack ..... **900-0592** \$14.95
7. Rocker cover base - billet  
Chrome ..... **90-4051±** \$538.95  
Natural ..... **90-4056** \$326.95
8. Screw, SH w/washer - 1/4"-20 x 1" 4741A  
(each) ..... **50-0092-S** \$7.95  
4 pack ..... **50-0092P** \$10.95
9. Rocker cover o-ring gasket - S&S billet rocker cover  
(Included in gasket set. See #16 below.)
10. Washer, flat - 5/16" (each) ..... **50-7026** \$6.95
11. Bolt, rocker support - socket head  
11a. 3/16"-18 x 2 1/4" (left support) (each) ..... **50-0115-S** \$7.95  
11b. 3/16"-18 x 2 1/2" (right support) 876A (each) ..... **50-0118** \$7.95
12. Rocker cover top - Billet Chrome ..... **90-4054±** \$285.95
13. Right rocker shaft support - billet ..... **90-4053** \$132.95
14. Left rocker shaft support - billet ..... **90-4052** \$132.95
15. Rocker cover gasket set - S&S billet rocker cover  
(Not shown) ..... **90-4049** \$91.95



All reference to HD® part numbers is for identification purposes only. We in no way are implying that any of S&S Cycle's products are original equipment parts or that they are equivalent to the corresponding HD® part number shown.

± ⚠️ WARNING: Cancer and Reproductive Harm - www.P65Warnings.ca.gov

MB

2007-'17  
TWIN CAM  
96"/103"/110"

1999-'06  
TWIN CAM  
88"

SPORTSTER, STREET,  
NIGHTSTER, STREET ROD  
& BUELL

TOOLS &  
SHOP  
SUPPLIES

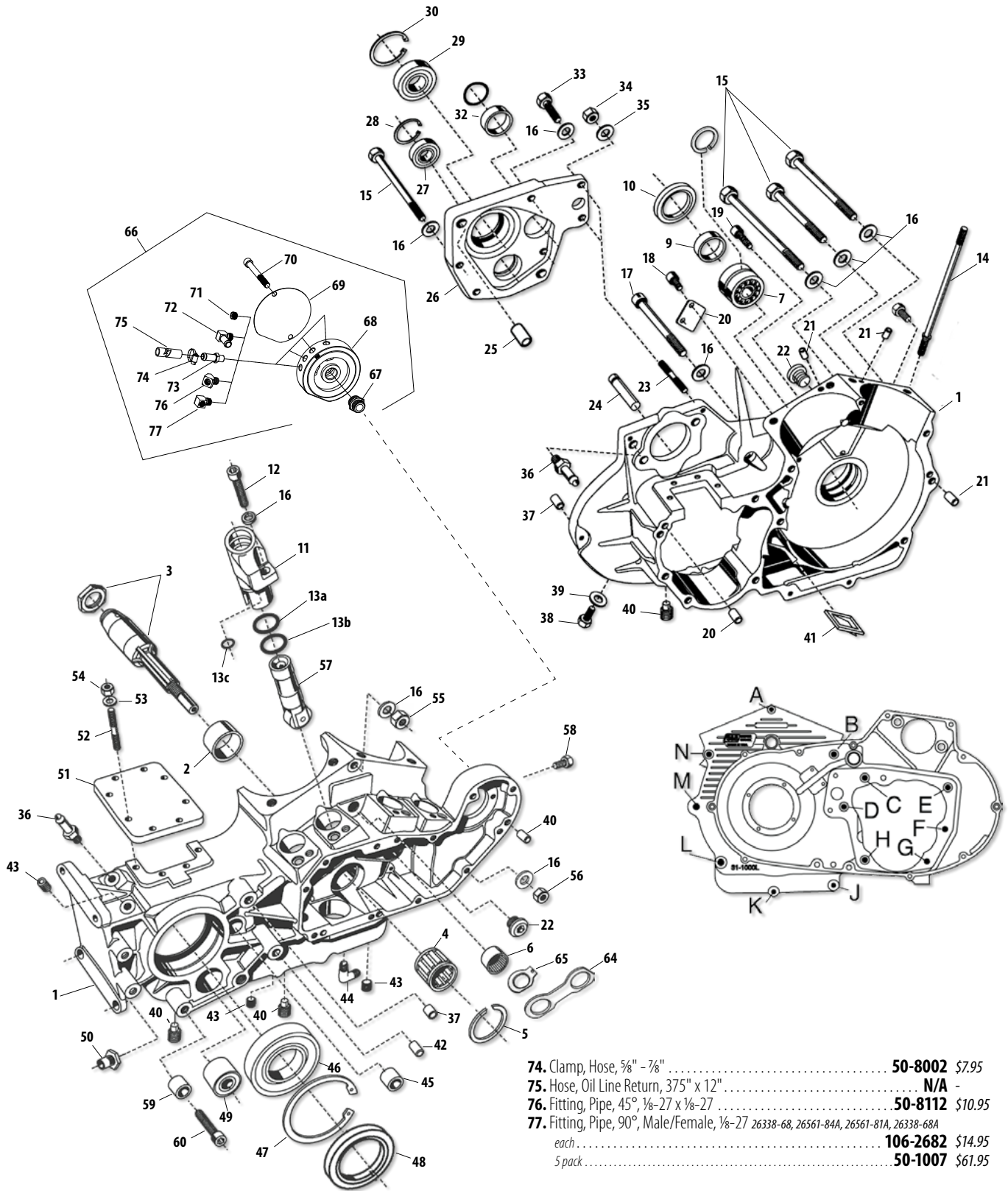
WARRANTY &  
COMPANY  
POLICY

APPENDIX



1. Crankcase assembly, half ..... **N/A**
2. Race, right main bearing - Standard 1991-'03 ..... **USA 31-4050** \$257.95
3. Pinion shaft assembly - Standard  
1986-'03 xl/1994-'02 Buell ..... **33-2325** \$305.95  
1986-up S&S SA only ..... **33-2329** \$305.95
4. Right main bearing assembly 1986-'03  
Blue 24647-87 ..... **USA 31-4055** \$40.95  
Red 24650-87 ..... **USA 31-4056** \$40.95  
White 24659-87 ..... **USA 31-4057** \$40.95  
Green 24660-87 ..... **USA 31-4058** \$40.95
5. Ring, main bearing retainer 1986-'03 11177A ..... **50-8057** \$4.95  
5 pack ..... **50-1004** \$14.95
6. Cam needle bearing assembly - 1986-'03 9057 ..... **USA 31-4061** \$31.95
7. Left Timken® main bearing assembly, 1991-'03 24729-74, 48302-85) ..... **USA 31-4059** \$144.95
8. Spacer, Left Main Bearing - 1974-'03 xl Fits stock diameter shaft.  
.098" ..... **31-4062** \$10.95  
.1015" - .1025" 9143 ..... **USA 31-4064** \$12.95  
.1035" - .1045" ..... **31-4065** \$15.95  
.1055" - .1065" 9145 ..... **USA 31-4066** \$12.95  
.1075" - .1085" 9146 ..... **USA 31-4067** \$12.95  
.110" 9147 ..... **31-4068** \$16.95  
.114" ..... **31-4070** \$14.95
9. Seal spacer, 1991-'03 xl ..... **31-4034** \$81.95
10. Seal, sprocket shaft oil, 1991-'03 xl 35151-74A ..... **31-4060** \$24.95
11. Tappet guide assembly (See 296)
12. Screw, SHC - 5/16" - 18 x 1" 3201WA, 2708 ..... **50-0101** \$4.95
13. O-ring  
13a. 1" I.D. x 1 3/16" O.D. x 3/32" CS (upper) 11167 ..... **USA 50-8004** \$6.95  
13b. 1" I.D. x 1 1/8" O.D. x 1/16" CS (lower) 11168A ..... **50-8005** \$6.95  
13c. 3/8" I.D. x 1/2" O.D. x 1/16" CS (oil hole) 11110 ..... **50-8006** \$6.95  
10 pack ..... **50-8077** \$12.95
14. Cylinder stud 1991-'03 style 16832-86C ..... **USA 31-2331-5** \$11.95  
8 pack ..... **USA 31-2331** \$61.95
15. Bolt, case HH - See "Bolt Position Diagram"  
(Position A)  
S&S xl 1/4" - 28 x 5 1/2" (each) ..... **50-0090** \$7.95  
S&S SA xl 1/4" - 28 x 6" (each) ..... **50-0020** \$13.95  
(Position E, F, G, H)  
S&S xl HHC 5/16" - 18 x 4" ..... **50-0102** \$7.95  
(Position J, K)  
S&S xl 1/4" - 20 x 3/4" ..... **50-0022** \$4.95  
(Position L, M)  
S&S xl 3/8" - 24 x 5 1/2" (5 pack) ..... **50-0170** \$10.95  
(Position N)  
5/16" - 18 x 3 1/2" 3427 ..... **50-0117** \$6.95
16. Washer, flat - See "Bolt Position Diagram".  
(Position A, J, K)  
1/4" x .474" x .050" (each) ..... **50-7020** \$6.95  
(Position B, C, D, N) & Tappet guide  
5/16" x .548" x 1/16" (each) ..... **50-7025** \$6.95  
(Position E, F, G, H)  
5/16" x 1/16" x 1/8" ..... **50-7033** \$4.95  
(Position L, M)  
3/8" x 7/8" x .146" (each) ..... **50-7053** \$8.95
17. Screw, SHC - 5/16" - 18 x 3"  
See "Bolt Location Diagram"  
(Positions B, C, D, H) ..... **50-0021** \$6.95
18. Screw, SHC - 10-24 x 3/8" (Stator wires cover) 4091 ..... **50-0023** \$7.95
19. 10-24 x 1" (Stator) 2720 (each) ..... **50-0044** \$6.95
20. Cover, stator wires 29950-91 ..... **USA 31-2050** \$10.95
21. Dowel pin - .250" diameter x 1/2" 358, 366 ..... **50-8022** \$8.95  
2 pack ..... **50-8022-2** \$13.95  
5 pack ..... **50-8105** \$13.95
22. Plug, timing hole - 1991-'03 720 ..... **USA 31-2005** \$10.95
23. Stud - 1/4"-20, 1/4"-28 x 1 1/4" 1991-up (Shifter shaft) ..... **50-8080** \$13.95
24. Spring pin - 1991-'03 (Shifter spring) ..... **N/A**
25. Dowel pin - 1991-'03 (transmission door)  
1/8" diameter x 1/2"  
.390" I.D. x .558" O.D. x 1/2" 16574-99A, 16573-83, 16573-83A ..... **50-8020** \$8.95  
10 pack ..... **50-8023** \$7.95  
30 pack ..... **50-8109** \$27.95
26. Transmission access door assembly ..... **56-3025** \$310.95  
(Includes 1 ea. transmission access door, 50-8007, 56-3030.)
27. Bearing, transmission countershaft (LH) 1991-'03 8992A, 8998 ..... **USA 56-3026** \$61.95
28. Ring, transmission countershaft bearing retainer, 1991-'03  
35021-89 ..... **50-8053** \$9.95
29. Bearing, transmission mainshaft (LH) 1991-'03  
35030-89, 35030-89A ..... **USA 56-3027** \$101.95
30. Ring, transmission mainshaft bearing retainer, 1991-'03  
35038-84, 35038-89 ..... **50-8052** \$14.95
31. O-ring - 32mm x 1.5mm CS, Shifter drum bushing ..... **50-8007** \$4.95
32. Bushing, shifter drum - unfinished - 1991-'03 9187 ..... **USA 56-3030** \$19.95
33. Screw, HHC 5/16" - 18 x 1 1/4" (10 pack) ..... **50-0110** \$4.95
34. Lock nut, hex 1/4" - 28 (each) ..... **50-5010** \$6.95
35. Washer, flat 1/4" x 5/8" x 1/16" 6194, 6245, 6703, 6736, 6228W, 6192  
each ..... **50-7021** \$6.95
36. Fitting, hose - 1/8" - 27 pipe male transmission vent ..... **USA 50-8115** \$9.95
37. Dowel pin - .309" I.D. x .430" O.D. x 1/2"  
24754-75, 24754-75A ..... **50-8018** \$10.95
38. Screw, HHC - 1/4" - 20 x 1/2", primary oil level 3728 ..... **50-0014** \$4.95
39. Washer, flat 1/4" x 3/8" x 1/32" copper, primary oil level 6114 ..... **50-7018** \$4.95
40. Plug, drain  
3/8" - 18 NPT Manufactured before 5-1-2000 ..... **31-2006** \$22.95  
1/2" - 20 thread - (Includes o-ring.) Manufactured after 5-1-2000 ..... **50-8335** \$17.95
41. Reed valve assembly, 1991-'03 (Optional) ..... **USA 31-2051** \$171.95
42. Dowel pin - 5/16" dia. x 1/2" ..... **N/A**
43. Plug, SH pipe, 1/4"-27 (each) ..... **50-8331A** \$7.95  
10 pack ..... **50-1015** \$15.95
44. Fitting, 90° - 1/8" - 27 pipe male x 5/16" flared tube ..... **50-8119** \$19.95
45. Bearing, transmission shifter drum (RH) 1991-'03 ..... **56-3032** \$23.95
46. Bearing, transmission output shaft 1991-up 8996A ..... **USA 56-1280** \$92.95
47. Ring, transmission output shaft bearing retainer,  
109" x 3.734" tru-arc 11161, 11599 ..... **50-8051** \$27.95
48. Seal, Transmission Output Shaft  
2.255" x 3.388" x .250, 1995-'03 xl 12067B ..... **56-3033** \$16.95
49. Bearing, transmission countershaft (RH) 1991-'03 ..... **USA 56-3031** \$50.95
50. Nut, press-in, 3/8" - 24 - All 1991-'03 ..... **31-2048** \$20.95
51. Cover, transmission inspection window 1991-up S&S SA cases only ..... **31-2055** \$179.95
52. Stud - 5/16" - 18, 5/16" - 24 x 1.370" 1991-up S&S SA cases only ..... **50-8081** \$9.95
53. Washer, flat - 5/16" x 1/16" x 1/16" 6320, 70907-07, 6016, 6702 ..... **50-7034** \$4.95
54. Nut, hex - 5/16" - 24 7833, 7883 ..... **50-5023** \$4.95
55. Nut, hex - 1/4" - 28 7683 ..... **50-5011** \$4.95
56. Nut, hex - 3/8" - 24 7861 ..... **50-5037** \$4.95
57. Hydraulic tappet assembly (See 295)
58. 3/8" - 16 x 1/2" BHCS ..... **N/A**
59. 5/16" x 3/4" .35 Shim ..... **50-7044** \$7.95
60. 1/4" - 20 x 2" SHCS 25794-36 ..... **50-0013** \$6.95
61. Gasket, gearcover, S&S (N/S) ..... **31-2052** \$12.95
62. 45° hose fitting - 1/8" pipe male/female (Oil pump) (N/S) ..... **50-8112** 8.21\$10.95
63. Oil Pump, Assembly, Stock, 1991-up xl (N/S)  
26488-98, 26204-91A ..... **USA 106-5368** \$560.95
64. Washer, Cam, Thrust, Double, .043", 1958-'90 xl, .043"  
1985-'90 xl, .062" 25551-58 ..... **N/A**  
..... **33-5210** \$85.95
65. Washer, Cam, Thrust, For S&S Cam Covers only, .062" ..... **33-5211** \$44.95
66. Bracket Kit, Oil Filter 1986-'90 xl ..... **106-3134** \$216.95
67. Fitting, Straight, 3/4-16 UNF 2A x 1" 26352-95A ..... **50-8197-5** \$17.95
68. Bracket, Oil Filter ..... **N/A**
69. Gasket, Oil Filter Mount ..... **106-4423** \$11.95
70. Screw, SHC, 5/16" - 24 x 2-3/4" ..... **50-0017** \$8.95
71. Plug, Pipe, 3/4" x 1/8" - 27 x .188"  
10 pack ..... **50-8331A** \$7.95  
..... **50-1015** \$15.95
72. Fitting, Pipe, 90°, 1/8" - 27 x .375" ..... **50-8110** \$27.95
73. Fitting, Hose, Straight, 1/8" - 27 x .500" ..... **50-8115** \$9.95

SPORTSTER, STREET, NIGHTSTER, STREET ROD & BUELL



74. Clamp, Hose, 5/8" - 7/8" .....	<b>50-8002</b>	\$7.95
75. Hose, Oil Line Return, 375" x 12" .....	<b>N/A</b>	-
76. Fitting, Pipe, 45°, 1/8-27 x 1/8-27 .....	<b>50-8112</b>	\$10.95
77. Fitting, Pipe, 90°, Male/Female, 1/8-27 26338-68, 26561-84A, 26561-81A, 26338-68A		
each .....	<b>106-2682</b>	\$14.95
5 pack .....	<b>50-1007</b>	\$61.95

(N/S) = Not Shown

All reference to HD® part numbers is for identification purposes only. We in no way are implying that any of S&S Cycle's products are original equipment parts or that they are equivalent to the corresponding HD® part number shown.

± WARNING: Cancer and Reproductive Harm – www.P65Warnings.ca.gov

MB

2007-'17  
TWIN CAM  
96"/103"/110"

1999-'06  
TWIN CAM  
88"

SPORTSTER, STREET,  
NIGHTSTER, STREET ROD  
& BUELL

TOOLS &  
SHOP  
SUPPLIES

WARRANTY &  
COMPANY  
POLICY

APPENDIX



Sportster® Models 3-5/8" To 4" Bore

1. Cylinder head (See cylinders on 290)
2. Valves
  - Intake
    - 2.000" diameter..... **90-2000** \$40.95
  - Exhaust
    - 1.605" diameter..... **90-2001** \$81.95
3. Valve seats
  - Intake - 2.000" diameter..... **90-2002** \$30.95
  - Exhaust - 1.605" diameter..... **90-2003** \$70.95
- 4a. Valve guide - Cast- Intake or Exhaust
  - Standard Diameter .5625/.5620 18112-92..... **90-2210** \$58.95
  - + .001" Diameter .5635/.5630 18130-83C..... **90-2211** \$81.95
  - + .002" Diameter .5645/.5640 18133-83A, 18133-83D..... **90-2212** \$101.95
  - + .003" Diameter .5655/.5650 18131-83C..... **90-2213** \$122.95
  - + .030" Diameter .5925/.5920..... **90-2219** \$71.95
- 4b. Valve guide - Powder Metal - Intake or Exhaust
  - Standard..... **90-0553** \$50.95
  - + .001"..... **90-0554** \$50.95
  - + .002"..... **90-0555** \$50.95
  - + .003"..... **90-0556** \$50.95
5. Head mount bolt - 3/8"-16 x 1 1/4" 4716W
  - each..... **50-0168** \$6.95
6. Flat washer - 3/8"..... **50-7051** \$4.95
7. Head bolt assembly - Includes head bolt washer (See headbolts on 303)
8. Head bolt washer
  - .150" (each)..... **50-0418-S** \$9.95
  - .250" (each)..... **50-7091** \$7.95
9. Exhaust port stud 16715-83 (each)..... **50-0493** \$7.95
  - 5 pack..... **50-1028** \$19.95
10. Lock washer - 5/16"..... **50-7032** \$4.95
11. Nut, HH - 5/16" -24 7833, 7883..... **50-5023** \$4.95
12. Exhaust pipe gasket 65324-83B, 65324-83A
  - each..... **106-5029** \$7.95
  - 10 pack..... **93-1072** \$71.95
13. Thread conversion insert 1/2"-13 to 5/16"-18..... **50-8151** \$11.95
14. Intake manifold (See manifolds on 310)
15. Screw, manifold mounting
  - SH - 5/16"-18 x 1" 3201WA, 2708..... **50-0101** \$4.95
  - HH - 5/16"-18 x 1" 3987 (each)..... **50-0108** \$6.95
16. Washer, flat - 5/16" 6320, 70907-07, 6016, 6702..... **50-7034** \$4.95
17. Flange, manifold mounting
  - Front 27009-86A (each)..... **16-0232** \$72.95
  - 5 pack..... **16-0600** \$336.95
  - Rear 27010-86A (each)..... **16-0233** \$72.95
  - 5 pack..... **16-0601** \$339.95
  - Set (Front & Rear)..... **106-3516** \$173.95
18. O-ring, manifold (each)..... **16-0235** \$11.95
  - 10 pack..... **16-0243** \$61.95

19. Head gasket
  - 3 1/2" Bore
    - .045" thick - (no o-rings required) 16770-84D, 16770-84F
      - each..... **93-1011-S** \$29.95
      - 10 pack..... **93-1024** \$275.95
  - 3 5/8" Bore
    - .045" thick - (no o-rings required) (each)..... **93-1037-S** \$15.95
    - 10 pack..... **93-1052** \$164.95
    - .062" thick - (no o-rings required) (each)..... **93-1016-S** \$23.95
  - 4" Bore
    - .045" thick (each)..... **93-1040-S** \$17.95
    - 10 pack..... **93-1071** \$163.95
20. Alignment dowel 16574-99A, 16573-83, 16573-83A
  - each..... **50-8023** \$7.95
  - 10 pack..... **50-8109** \$27.95
- Dowel pin - 1/4" diameter x 1/2" - 4" bore 358, 366
  - each..... **50-8022** \$8.95
  - 2 pack..... **50-8022-2** \$13.95
  - 5 pack..... **50-8105** \$13.95
21. Plug, HH - 14mm (each)..... **90-4916** \$24.95
  - 2 pack..... **90-4916-2** \$49.95
22. Washer, compression release- 14mm .507" x .705" x .047"
  - each..... **50-7094** \$15.95

GASKET KITS

23. Rocker cover gasket kits, 1986-'03 xl
  - S&S Billet rocker cover, Rubber (N/S)..... **90-4049** \$91.95
  - S&S Cast rocker cover, Rubber (N/S)..... **90-4091** \$91.95
24. Pushrod cover o-ring kit (N/S)
  - 1986-'90 xl..... **93-4022** \$12.95
  - Includes 4 each:
    - Bottom 11145A (each)..... **50-8037** \$6.95
    - Middle 11132A (each)..... **50-8038** \$6.95
    - Top 11293, 11157, 11101, 11190 (each)..... **50-8039** \$6.95
25. Flat washer, bottom pushrod tube (N/S)..... **50-7150** \$4.95
26. Top End Rebuild Kits for SB-Series Engines (N/S)
  - 4" Bore..... **90-9503** \$91.95
  - 3 5/8" Bore..... **90-9509** \$92.95

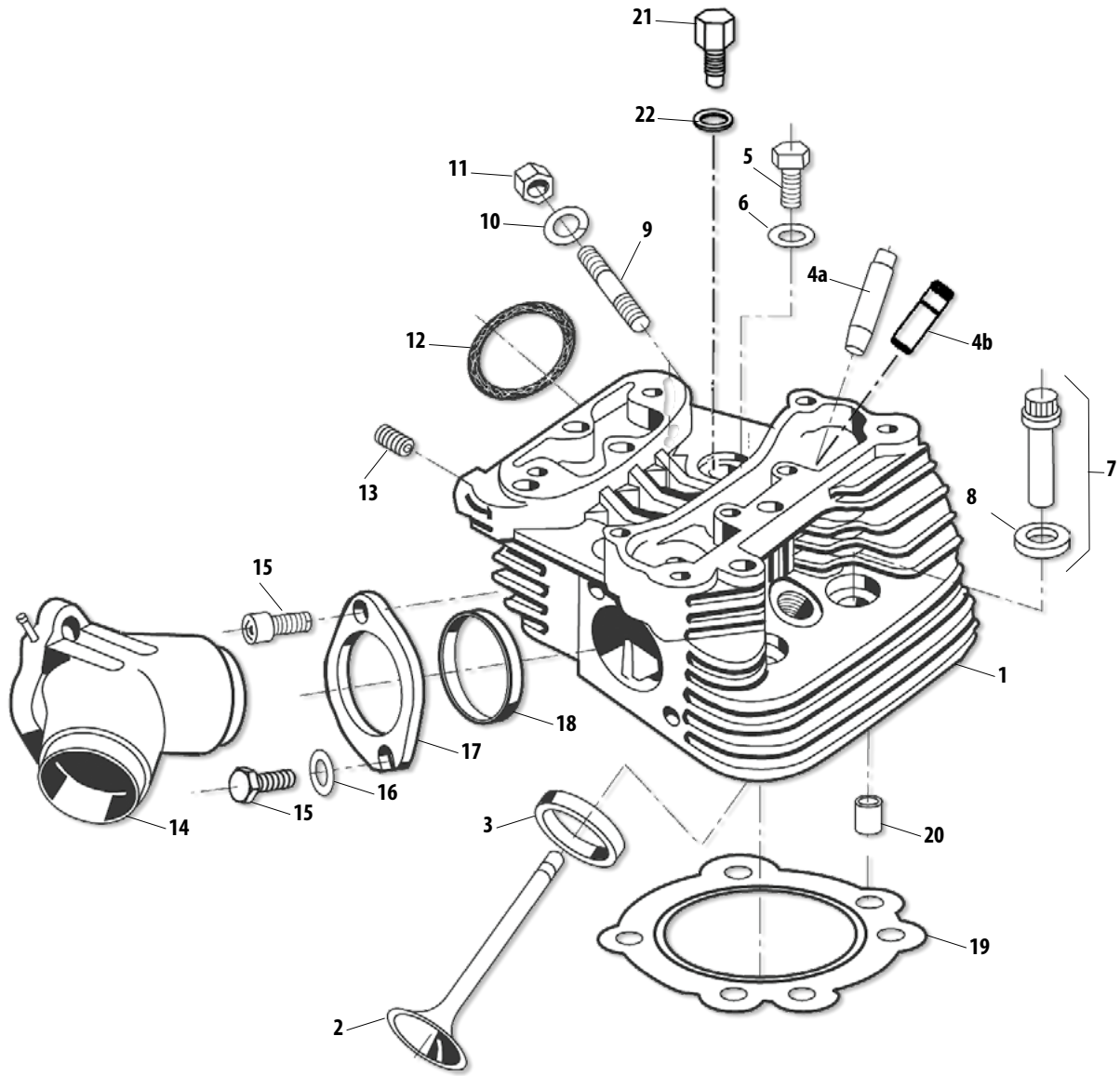
(N/S) = Not Shown

NOTE:

S&S heads for Harley-Davidson® Sportster® and Buell® models are similar but have different diameter front motor mount holes.

All reference to HD® part numbers is for identification purposes only. We in no way are implying that any of S&S Cycle's products are original equipment parts or that they are equivalent to the corresponding HD® part number shown.





**S&S** SUPER STOCK

MB

2007-'17  
TWIN CAM  
96"/103"/110"

1999-'06  
TWIN CAM  
88"

SPORTSTER, STREET,  
NIGHTSTER, STREET ROD  
& BUELL

TOOLS &  
SHOP  
SUPPLIES

WARRANTY &  
COMPANY  
POLICY

APPENDIX



PISTON RINGS, CHROMOLY FACED										
Bore	4"		3 7/8"		3 1/16"		3 1/2"			
		MSRP		MSRP		MSRP	Stock 883cc Heads			
Deck Height	1.200		1.200		-		1.1875"		1.207"	
Standard	<b>94-1300X</b> USA <sub>2</sub>	\$61.95	<b>94-1210X</b> USA <sub>1</sub>	\$65.95	<b>940-0042*</b>	\$101.95	<b>94-2216X</b> USA <sub>1</sub> 21921-83	\$62.95	<b>94-2206X</b> USA <sub>1</sub> 22334-78A, 22334-78B, 21920-83	\$61.95
+0.005"	-	-	-	-	-	-	<b>94-22165X</b> USA <sub>1</sub> 21921-83	\$62.95	-	-
+0.010"	<b>94-1301X</b> USA <sub>2</sub>	\$61.95	<b>94-1211X</b> USA <sub>1</sub>	\$64.95	-	-	<b>94-2217X</b> USA <sub>1</sub>	\$65.95	<b>94-2207X</b> USA <sub>1</sub> 22334-78A, 22334-78B, 21920-83	\$64.95
+0.020"	<b>94-1302X</b> USA <sub>2</sub>	\$65.95	<b>94-1212X</b> USA <sub>1</sub>	\$65.95	-	-	<b>94-2218X</b> USA <sub>1</sub>	\$62.95	<b>94-2208X</b> USA <sub>1</sub> 22336-78B, 21923-83	\$61.95
+0.030"	-	-	<b>94-1213X</b>	\$65.95	-	-	<b>94-2219X</b> USA <sub>1</sub>	\$65.95	<b>94-2209X</b> USA <sub>1</sub> 22336-78B, 21923-83	\$61.95
+0.040"	-	-	<b>94-1214X</b>	\$65.95	-	-	-	-	-	-
+0.060"	-	-	<b>94-1216X</b>	\$61.95	-	-	-	-	-	-

\*Clips and pins not available.

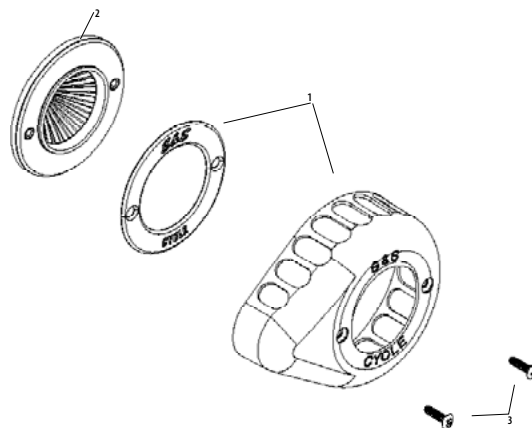
WRISTPINS			
Bore	Description	MSRP	Part #
4"	Wristpin .792" x 2.825"	\$40.95	<b>94-9256</b> USA <sub>1,2</sub>
3 7/8"			
3 1/2"			

KEEPERS			
Bore	Description	MSRP	Part #
4"	Keeper 22589-83A	\$4.95	each <b>94-9254-5</b>
3 7/8"		\$7.95	2 pack <b>94-9254-2</b>
3 1/2"		\$8.95	4 pack <b>94-9254</b>



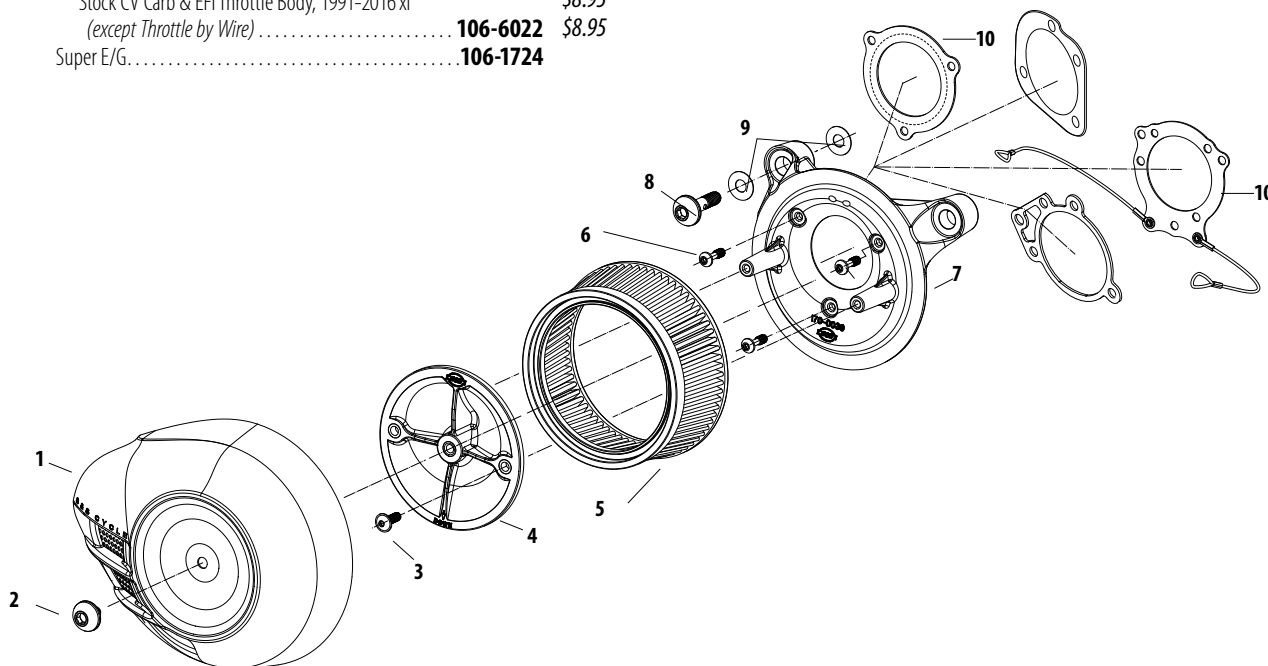


- 1. Cover
  - Gloss Black Teardrop ..... **170-0686** \$203.95
  - Chrome Teardrop ..... **170-0687** \$203.95
  - Billet S&S Script Ring ..... **170-0502** \$81.95
- 2. Filter ..... **170-0723** \$64.95
- 3. Screws
  - Bright Stainless Steel (2 pack) ..... **500-0657** \$11.95
  - Black (2 pack) ..... **500-0711** \$12.95



**Stealth Air Cleaner Replacement parts**

- 1. Cover, Air Cleaner Airstream
  - Chrome ..... **170-0118±** \$193.95
  - Gloss Black ..... **170-0396** \$195.95
- 2. Air Cleaner Cover Screw, SHCB, 5/16"-18 UNC X .500" .... **170-0508** \$22.95
- 3. Screw, SHC, Flanged Button, 1/4"-20 UNC x .750" ..... **500-0060** ~~\$13.95~~ \$7.95
- 4. Top Plate, Air Filter, Molded, Plastic ..... **170-0026** \$19.95
- 5. Filter, Air, Tapered,
  - Standard Pleated, Cotton, Stealth Air Cleaner Kit .... **170-0126** \$61.95
  - 1" Taller Pleated, Cotton, Stealth Air Cleaner Kit .... **170-0127** \$91.95
  - 1" Taller Pleated, Cotton Filter Only ..... **170-0154** \$61.95
- 6. Screw, SHCB, 1/4"-20 UNC X .825" ..... **500-0059** \$7.95
- 7. Backplate
  - Stock CV & EFI, Black, Die Cast, 1991-2016 xl ..... **170-0048** \$97.95
  - 170-0507 Screw, Backplate Vent, SHCB, 1/2"-13 x 1-1/2", Polished, Stainless Steel ~~\$70.95~~
  - 170-0507**
- 9. Washer, Flat, .520" x .880" x .024", Silicone Coated Steel,
  - each ..... **50-7055** \$17.95
  - 10 pack ..... **50-7057**
- 10. Gasket, Backplate
  - Stock CV Carb & EFI Throttle Body, 1991-2016 xl ..... \$8.95
  - (except Throttle by Wire) ..... **106-6022** \$8.95
  - Super E/G ..... **106-1724**



± WARNING: Cancer and Reproductive Harm – www.P65Warnings.ca.gov

MB

2007-'17  
TWIN CAM  
96"/103"/110"

1999-'06  
TWIN CAM  
88"

SPORTSTER, STREET,  
NIGHTSTER, STREET ROD  
& BUELL

TOOLS &  
SHOP  
SUPPLIES

WARRANTY &  
COMPANY  
POLICY

APPENDIX



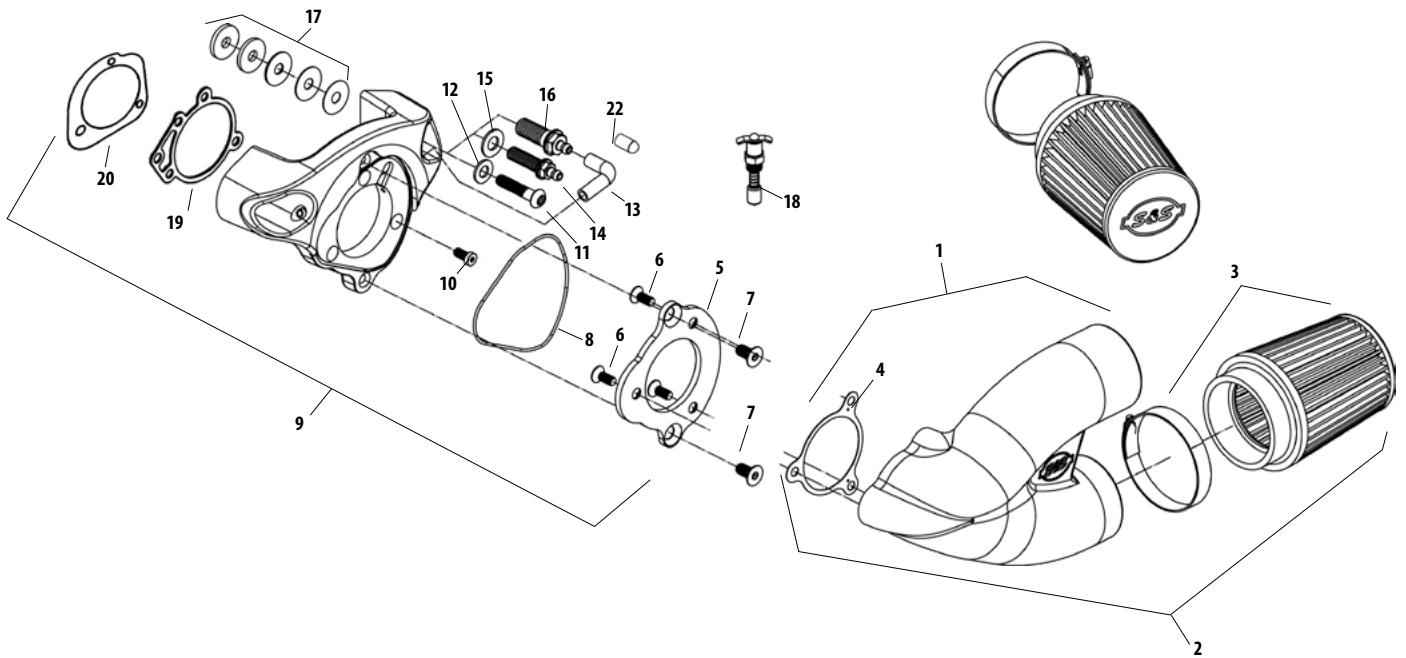
## Replacement Parts

- |  |                     |          |
|--|---------------------|----------|
| <b>1.</b> Tuned Intake Kit, 2.19" Single Bore<br>Chrome Plated .....   | <b>106-4970±</b>    | \$246.95 |
| <b>2.</b> Tuned Intake Assembly, 2.19" Single Bore .....   | <b>N/A</b>          | —        |
| <b>3.</b> Air Filter, w/clamp, Stainless Cap — Conical — 2 <sup>7</sup> / <sub>16</sub> " I.D. x 4"  |                     |          |
| Red (each) .....   | <b>17-1020</b>      | \$71.95  |
| Blue (each) .....  | <b>17-1023</b>      | \$71.95  |
| <b>4.</b> Gasket, Intake — Adapter Plate .....   | <b>17-1022</b>      | \$10.95  |
| <b>5.</b> Plate, Adapter, 2.19" Single Bore Tuned Intake<br>Chrome Steel .....   | <b>17-1014±</b>     | \$83.95  |
| <b>6.</b> FHSC 1/4-20 x 5/8" (each) .....  | <b>50-0433</b>      | \$7.95   |
| <b>7.</b> FHSC 5/16-18 x 5/8" (each) .....   | <b>50-0432</b>      | \$10.95  |
| <b>8.</b> O-Ring, Adapter Plate Bracket<br>3 <sup>5</sup> / <sub>8</sub> " O.D. x 3 <sup>1</sup> / <sub>2</sub> " I.D. 1/16 CS, Viton (each) ..... | <b>50-0446</b>      | \$8.95   |
| <b>9.</b> Bracket Kit, 2.19" Single Bore Tuned Intake, Chrome<br>Stock CV & EFI, 1991-up xl .....  | <b>106-6026±</b>    | \$450.95 |
| <b>10.</b> Backplate Screw<br>Screw, SHC, w/Threadlock, 1/4-20 x 1/2" .....  | <b>106-2084</b>     | \$6.95   |
| 10 pack .....  | <b>106-2105</b>     | \$12.95  |
| <b>11.</b> Screw, 5/16-18 x 1 1/4, BHC, Chrome (each) .....  | <b>50-0309-S±</b>   | \$10.95  |
| <b>12.</b> Flat Washer 5/16" x 1 1/6" 6320, 70907-07, 6016, 6702 .....   | <b>50-7034</b>      | \$4.95   |
| <b>13.</b> Hose, Breather, 1/4" I.D., 90° .....  | <b>19-0178A</b>     | \$13.95  |
| <b>14.</b> Screw, Breather Fitting, 3/8-16 x 1 1/4" .....  | <b>50-0436</b>      | \$20.95  |
| <b>15.</b> Washer, Flat, 3/8" x 1 3/16" x 1/16", Chrome .....  | <b>50-7106-S±</b>   | \$8.95   |
| <b>16.</b> Screw, Breather Fitting, 1/2-13 x 1.25 .....  | <b>50-0435</b>      | \$16.95  |
| <b>17.</b> Shim Kit<br>(a) 5/16" I.D. 1986-'90 xl .....  | <b>17-0314</b>      | \$15.95  |
| (b) 1/2" I.D. 1991-up xl .....   | <b>17-0464</b>      | \$23.95  |
| <b>18.</b> Enrichment Device, S&S Super E & G carbs .....  | <b>USA 11-2084±</b> | \$40.95  |
| <i>(Use in place of enrichment device on air cleaner backplate)</i>  |                     |          |
| <b>19.</b> Gasket, Backplate - E/G/SBEFI (each) .....  | <b>106-1724</b>     | \$8.95   |
| 10 pack .....  | <b>106-2328</b>     | \$40.95  |
| <b>20.</b> Gasket, Stock carb/Throttle Body 29062-95B .....  | <b>106-6022</b>     | \$8.95   |
| <b>21.</b> Hardware Kit, 1986-'03 (N/S)<br>S&S Super E or G carb .....   | <b>17-5099±</b>     | \$144.95 |
| <b>22.</b> Cap, Canister Purge Fitting .....   | <b>50-8266-S</b>    | \$9.95   |
| <b>23.</b> Hose, Vent, Breather, Cut To Size, 313" x .438" x 24" (N/S)   | <b>106-4982</b>     | \$13.95  |

(N/S) = Not Shown

± WARNING: Cancer and Reproductive Harm — www.P65Warnings.ca.gov

All reference to HD® part numbers is for identification purposes only. We in no way are implying that any of S&S Cycle's products are original equipment parts or that they are equivalent to the corresponding HD® part number shown.



ACCESSORIES			
Description		Part #	MSRP
Nylon Air Filter Cover	each	106-0247	\$58.95
	2 pack	106-0248	\$114.95

MB

2007-'17  
TWIN CAM  
96"/103"/110"

1999-'06  
TWIN CAM  
88"

SPORTSTER, STREET,  
NIGHTSTER, STREET ROD  
& BUELL

TOOLS &  
SHOP  
SUPPLIES

WARRANTY &  
COMPANY  
POLICY

APPENDIX



For Buell® Motorcycles With Stock Or S&S Carb

1. Air cleaner cover		
Chrome . . . . .	<b>17-0078</b> ±	\$203.95
2. Air cleaner element . . . . .	<b>17-0079</b>	\$24.95
3. Air cleaner backing plate		
Super E & G carburetors . . . . .	<b>17-0000</b>	\$112.95
4. Cover screw		
Chrome 1305 (each) . . . . .	<b>50-0072</b> ±	\$6.95
3 pack . . . . .	<b>50-1052</b> ±	\$8.95
10 pack . . . . .	<b>50-0094</b> ±	\$13.95
Black 902 (each) . . . . .	<b>50-0310-S</b>	\$9.95
3 pack . . . . .	<b>50-0310</b>	\$15.95
5. Air cleaner backplate screw		
For S&S Super E&G		
Zinc Plated (each) . . . . .	<b>106-2084</b>	\$6.95
10 pack . . . . .	<b>106-2105</b>	\$12.95
6. Cap screw, breather & air cleaner mount . . . . .	<b>N/A</b>	-
7. Shim, .620" I.D. x .800" O.D. x .185" (each) . . . . .	<b>N/A</b>	-
8. O-ring ½" O.D. x ⅜" I.D. x ¼" CS (each) . . . . .	<b>50-8270</b>	\$6.95
5 pack . . . . .	<b>50-8130</b>	\$9.95
9. O-ring ⅜" O.D. x ½" I.D. x ¼" CS 11110 (each) . . . . .	<b>50-8006</b>	\$6.95
10 pack . . . . .	<b>50-8077</b>	\$12.95
10. Breather fitting (each) . . . . .	<b>17-0350</b>	\$9.95
2 pack . . . . .	<b>17-0355</b>	\$12.95
11. Shim kit air cleaner backplate (includes 4 each of .018", .030", .048") . . . . .	<b>17-0464</b>	\$23.95
Replacement Shims		
½" x 1" x .018 (each) . . . . .	<b>50-7085</b>	\$7.95
½" x 1" x .030 (each) . . . . .	<b>50-7086</b>	\$6.95
½" x 1" x .048 (each) . . . . .	<b>50-7087</b>	\$7.95
½" x 1" x .105 (each) . . . . .	<b>50-7089</b>	\$7.95
½" x 1" x .125 (each) . . . . .	<b>50-7090</b>	\$9.95
12. Washer, friction, spring (each) . . . . .	<b>50-7035</b>	\$6.95
10 pack . . . . .	<b>50-7058</b>	\$11.95
13. Washer, flat .323" x ⅝" x ½" (each) . . . . .	<b>50-7037</b>	\$6.95
10 pack . . . . .	<b>50-7061</b>	\$8.95
14. Washer, flat, nylon .323" x ⅝" x .020" (each) . . . . .	<b>50-7036</b>	\$6.95
10 pack . . . . .	<b>50-7060</b>	\$8.95
15. Lever, fast idle, . . . . .	<b>17-0327</b>	\$16.95
16. Washer, flat w/step, brass (each) . . . . .	<b>50-7007</b> ±	\$7.95
10 pack . . . . .	<b>50-7010</b> ±	\$17.95
17. Screw, PH slotted 10-24 x ¼" (each) . . . . .	<b>50-0041</b>	\$6.95
10 pack . . . . .	<b>50-0062</b>	\$9.95
18. Screw, HH, cap, ¼"-28 x 7/8" . . . . .	<b>50-0074</b>	\$4.95
19. Washer, flat, .281" x .625" x .080" 6194, 6245, 6703, 6736, 6228W, 6192		
each . . . . .	<b>50-7021</b>	\$6.95
20. Locknut - ¼" -28 (each) . . . . .	<b>50-5010</b>	\$6.95
21. Hose, breather vent . . . . .	<b>17-0365</b>	\$8.95
22. Fitting, hose, Buell air cleaner . . . . .	<b>17-0336C-S</b>	\$12.95
23. Hose, breather . . . . .	<b>USA 1,2 17-0339</b>	\$14.95
24. Bracket, carb support, air cleaner . . . . .	<b>N/A</b>	-
25. Tubing, rubber - ⅜" x ⅝" x 3' . . . . .	<b>USA N/A</b>	-
26. Gasket, Backplate, 1991-up xl/bt 29062-958 . . . . .	<b>106-6022</b>	\$8.95

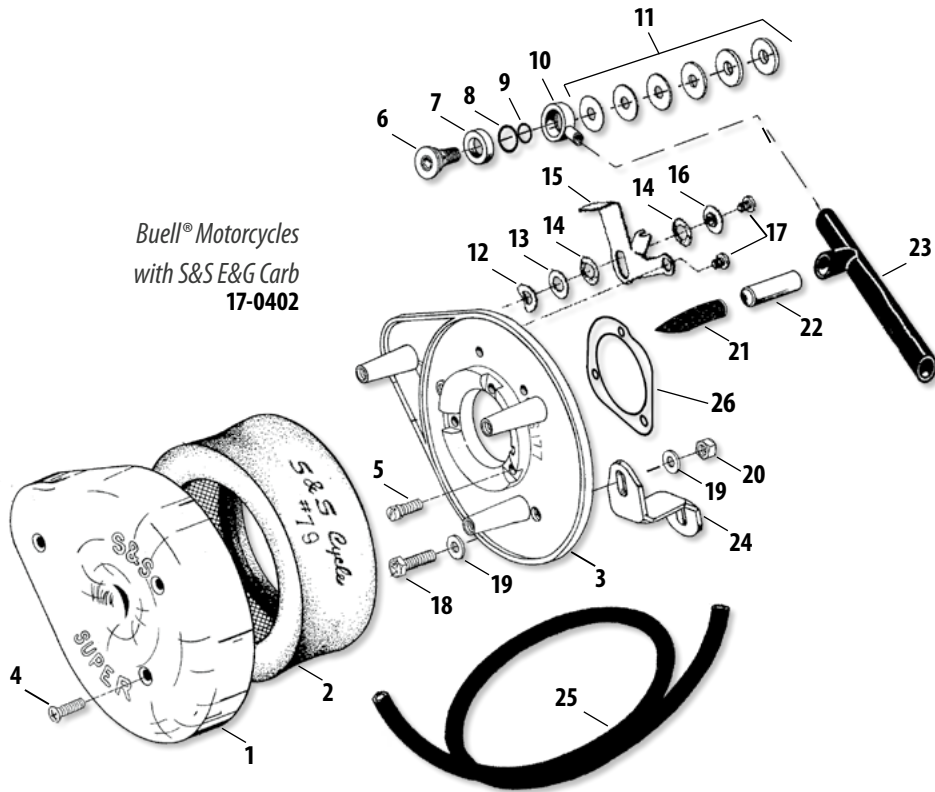
SPORTSTER, STREET, NIGHTSTER, STREET ROD & BUELL

All reference to HD® part numbers is for identification purposes only. We in no way are implying that any of S&S Cycle's products are original equipment parts or that they are equivalent to the corresponding HD® part number shown.

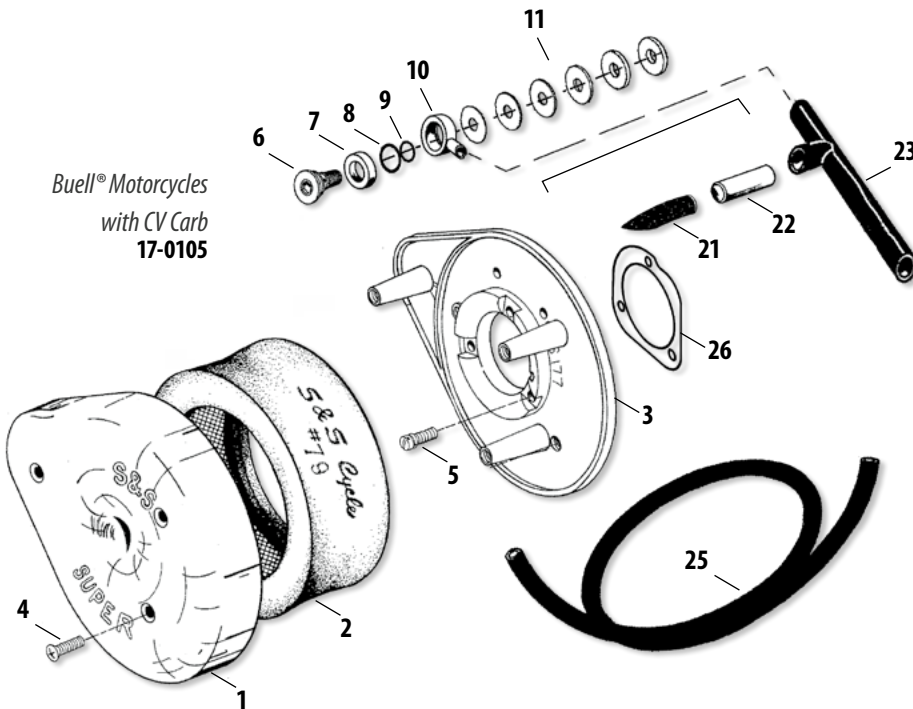
± WARNING: Cancer and Reproductive Harm – www.P65Warnings.ca.gov



Buell® Motorcycles  
with S&S E&G Carb  
17-0402



Buell® Motorcycles  
with CV Carb  
17-0105



MB

2007-'17  
TWIN CAM  
96"/103"/110"

1999-'06  
TWIN CAM  
88"

SPORTSTER, STREET,  
NIGHTSTER, STREET ROD  
& BUELL

TOOLS &  
SHOP  
SUPPLIES

WARRANTY &  
COMPANY  
POLICY

APPENDIX



For Stock Fuel Systems

- 1. Air cleaner cover
  - 1a. Chrome ..... **17-0078**± \$203.95
  - 1b. Chrome ..... **17-0378**± \$193.95
    - Black ..... **170-0384A** \$193.95
    - Slasher ..... **17-0004**± \$193.95
- 2. Element
  - 2a. Foam ..... **17-0079** \$24.95
  - 2b. Pleated ..... **106-4722** \$30.95
- 3. Backplate
  - 1991-2007 xl ..... **106-0950** \$132.95
- 4. Cover screw
  - Chrome 1305 (each) ..... **50-0072**± \$6.95
    - 3 pack ..... **50-1052**± \$8.95
    - 10 pack ..... **50-0094**± \$13.95
  - Black 902 (each) ..... **50-0310-S** \$9.95
    - 3 pack ..... **50-0310** \$15.95
- 5. Screw
  - 5a. 1999-03 xl, HHCS ¼"-28 x 1-¼" ..... **N/A** -
  - 5b. All Others, HHCS ¼"-28 x 7/8" ..... **50-0074** \$4.95
- 6. Backplate screw, Zinc Plated (each) ..... **106-2084** \$6.95
  - 10 pack ..... **106-2105** \$12.95
- 7. Shim kit, xl 1966-'87 ..... **17-0314** \$15.95  
 (Includes 2 each 5/16" x .018", 5/16" x .030", 5/16" x .048", 5/16" x .105" and 4 each 5/16" x .125")
  - Replacement shims
    - a. 5/16" x .018" (each) ..... **50-7038** \$6.95
    - b. 5/16" x .030" (each) ..... **50-7039** \$6.95
    - c. 5/16" x .048" (each) ..... **50-7040** \$6.95
    - d. 5/16" x .105" (each) ..... **50-7041** \$7.95
    - e. 5/16" x .125" (each) ..... **50-7042** \$7.95
      - 2 pack ..... **50-7042P** \$9.95
- 8. Replacement Shims
  - 8a. 1991-up xl, & Buell® 1994-up
    - ½" x .018 (each) ..... **50-7085** \$7.95
    - ½" x .030" (each) ..... **50-7086** \$6.95
    - ½" x .048" (each) ..... **50-7087** \$7.95
    - ½" x .105" (each) ..... **50-7089** \$7.95
    - ½" x .125" (each) ..... **50-7090** \$9.95
  - 8b. 1999-03 xl
    - 5/8" x .025" (each) ..... **50-7113** \$6.95
      - 10 pack ..... **50-7110** \$12.95
    - 5/8" x .050" (each) ..... **50-7114** \$6.95
      - 10 pack ..... **50-7111** \$13.95
    - 5/8" x .075" (each) ..... **50-7115** \$7.95
      - 10 pack ..... **50-7112** \$16.95
- 9. Breather Cap Screw ..... **N/A** -
- 10. Shim, head vent - .62" I.D. x .80" O.D. x .175" (each) ..... **N/A** -
- 11. Breather screw seal xl 1991-'03 Washer, .520 (each) ..... **50-7055** \$7.95
  - 10 pack ..... **50-7057** \$17.95
- 12. Breather fitting (each) ..... **17-0350** \$9.95
  - 2 pack ..... **17-0355** \$12.95
- 13. Crankcase breather vent hose
  - a. xl 1986-'90 ..... **17-0113** \$7.95
  - b. xl 1991-'93 ..... **USA 17-0339** \$14.95
- 14. Vent hose connector, xl 1986-'90 ..... **50-8111** \$7.95
- 15. Vent hose, with angle cut ..... **17-0365** \$8.95
- 16. 90° Elbow fitting (each) ..... **50-8110** \$27.95
- 17. Hose fitting ..... **17-0336C-S** \$12.95
- 18. Flatwasher, ¼" 6194, 6245, 6703, 6736, 6228W, 6192 (each) ..... **50-7021** \$6.95
- 19. Backplate plug, ⅛" -27 NPT (each) ..... **50-8331A** \$7.95
  - 10 pack ..... **50-1015** \$15.95
- 20. Plug, press-in clear plastic ..... **50-8313** \$4.95
- 21. Support bracket locknut - ¼"-28 x 7/8" (each) ..... **50-5010** \$6.95
- 22. Support bracket screw, 5/16"-18 x 1¼" ..... **50-0110** \$4.95
- 23. Lockwasher, 5/16" ..... **50-7032** \$4.95
- 24. Support Bracket
  - 24a. Air Cleaner to head 1986-90 xl ..... **17-0311** \$52.95
  - 24b. Air Cleaner to head 1991-03 xl ..... **N/A** -
- 25. Rubber tubing - ¼" x 5/8" x 3' ..... **USA N/A** -
- 26. Wire tie (N/S) ..... **50-8003** \$6.95
- 27. Washer, flat - 3/8" x 7/8" x .146" (each) ..... **50-7053** \$8.95
- 28. Shim - ¼" x 3/4" x .200" ..... **50-7024** \$7.95
- 29. Screw Vent Fitting
  - xl 1993-2006 ..... **17-0347** \$23.95
- 30. Screw air cleaner backplate ..... **17-0346** \$10.95
- 31. Spring clamps ..... **50-8001** \$4.95
- 32. O-ring
  - 32a. (-014) .500"ID x .625" OD (each) ..... **50-8270** \$6.95
    - 5 pack ..... **50-8130** \$9.95
  - 32b. (-012) .375"ID x .500" OD 11110 (each) ..... **50-8006** \$6.95
    - 10 pack ..... **50-8077** \$12.95
- 33. Gasket, backplate (each) ..... **106-1724** \$8.95
  - 10 pack ..... **106-2328** \$40.95
- 34. Adaptor assembly, 1991-up xl ..... **106-1982**± \$80.95
- 35. Hose, vent, breather, formed, .250" x .375" x 1.330", 1991-2007 xl
  - each ..... **106-0161A** \$11.95
- 36. Breather screw, 1991 xl ..... **106-0845** \$28.95
- 37. Washer, flat 5/16" x 1/16" x 1/8" ..... **50-7033** \$4.95
- 38. Nut, lock, HH, 5/16"-18 ..... **50-5021** \$4.95
- 39. Bracket, support, air cleaner to head, xl, 1991-up
  - Front ..... **17-0305** \$19.95
  - Rear ..... **106-1285** \$17.95

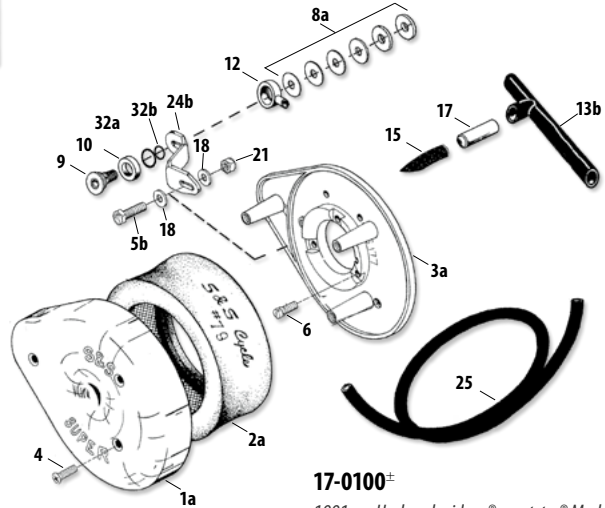
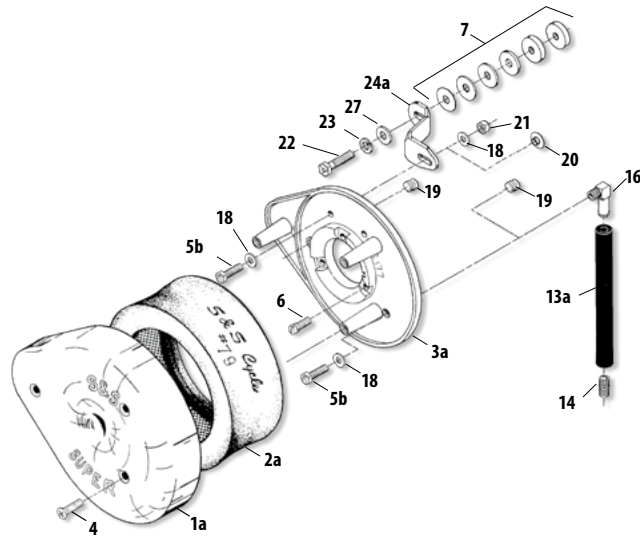
N/S = Not Shown

All reference to HD® part numbers is for identification purposes only. We in no way are implying that any of S&S Cycle's products are original equipment parts or that they are equivalent to the corresponding HD® part number shown.

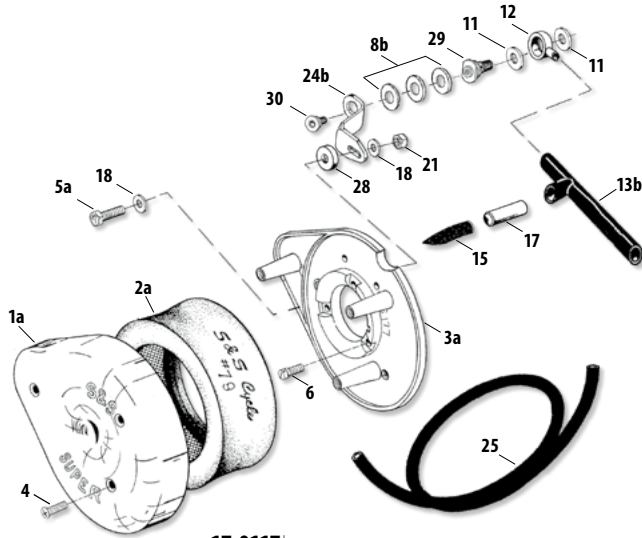
⚠️ WARNING: Cancer and Reproductive Harm – www.P65Warnings.ca.gov

SPORTSTER, STREET, NIGHTSTER, STREET ROD & BUELL

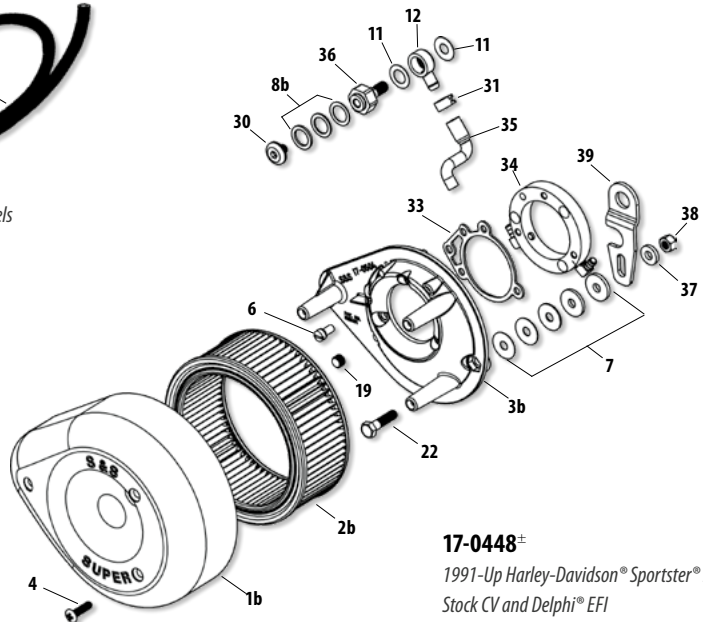




**17-0100<sup>±</sup>**  
 1991-up Harley-davidson® sportster® Models  
 (with CV carburetor) (Discontinued)



**17-0117<sup>±</sup>**  
 1991-'03 Harley-Davidson® Sportster® Models  
 (Discontinued)



**17-0448<sup>±</sup>**  
 1991-Up Harley-Davidson® Sportster® models  
 Stock CV and Delphi® EFI

MB

2007-'17  
 TWIN CAM  
 96"/103"/110"

1999-'06  
 TWIN CAM  
 88"

SPORTSTER, STREET,  
 NIGHTSTER, STREET ROD  
 & BUELL

TOOLS &  
 SHOP  
 SUPPLIES

WARRANTY &  
 COMPANY  
 POLICY

APPENDIX



For 1986-Up Harley-Davidson® Sportster® Models

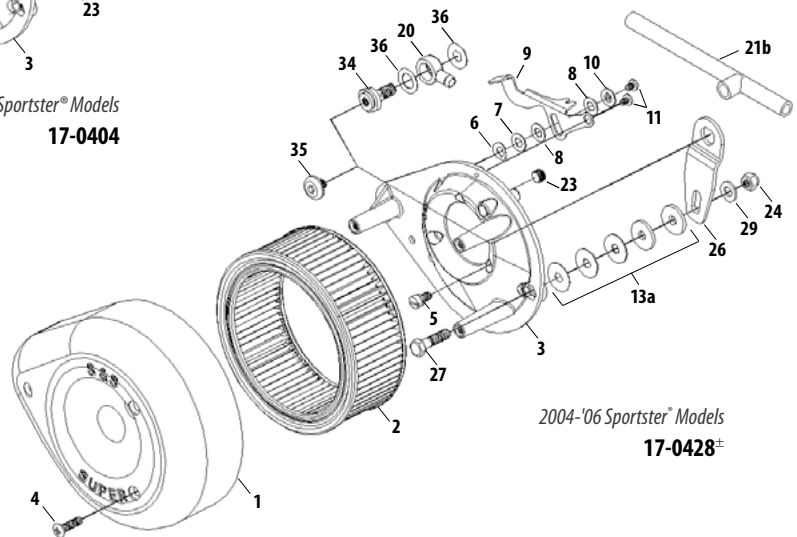
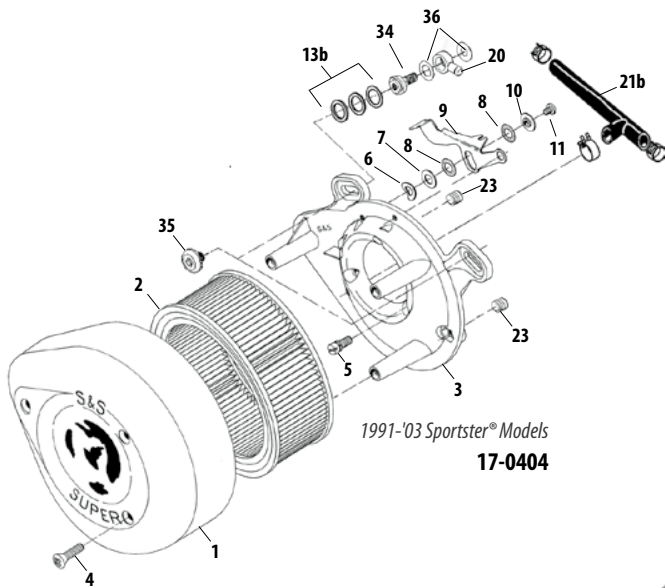
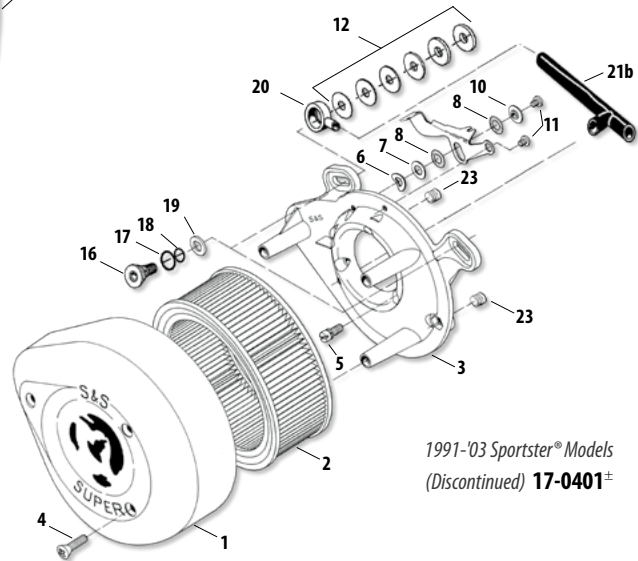
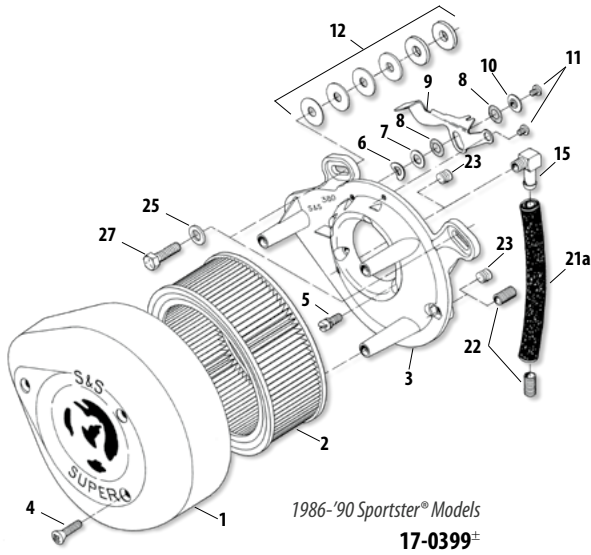
1. Air cleaner cover			
Chrome	17-0378±	\$193.95	
Black	170-0384A	\$193.95	
Slasher	17-0004±	\$193.95	
2. Element, pleated	106-4722	\$30.95	
3. Backplate			
xl 1957-'85	17-0330	\$131.95	
xl 1991-'03	<b>USA</b> 17-0336	\$131.95	
xl 1986-'90 <i>Manufactured prior to 1-1-03</i>	17-0380	\$131.95	
xl 2004-'06	17-0361	\$100.95	
4. Cover screw			
Chrome 1305 (each)	50-0072±	\$6.95	
3 pack	50-1052±	\$8.95	
10 pack	50-0094±	\$13.95	
Black 902 (each)	50-0310-S	\$9.95	
3 pack	50-0310	\$15.95	
5. Backplate screw, Zinc Plated (each)	106-2084	\$6.95	
10 pack	106-2105	\$12.95	
6. Fast idle friction washer (each)	50-7037	\$6.95	
10 pack	50-7061	\$8.95	
8. Fast idle nylon washer (each)	50-7036	\$6.95	
10 pack	50-7060	\$8.95	
9. Fast idle lever	<b>USA</b> 17-0329	\$14.95	
10. Fast idle brass washer (each)	50-7007±	\$7.95	
10 pack	50-7010±	\$17.95	
11. Fast idle lever screw (one required)	50-0041	\$6.95	
10 pack	50-0062	\$9.95	
12. Shim kit			
xl 1986-'90	17-0314	\$15.95	
<i>(Includes two each 3/16" x .018", .030", .048", .105", and four each .125")</i>			
xl 1991-2016	17-0464	\$23.95	
<i>(Includes two each 1/2" x .018", .030", .048", .105", and four each .125")</i>			
13. Shims,			
a. xl 1986-'90			
3/16" x .018" (each)	50-7038	\$6.95	
3/16" x .030" (each)	50-7039	\$6.95	
3/16" x .048" (each)	50-7040	\$6.95	
3/16" x .105" (each)	50-7041	\$7.95	
3/16" x .125" <i>(Use on BT 1936-'84 and xl 1957-'85 when insulator block is installed.)</i>			
each	50-7042	\$7.95	
2 pack	50-7042P	\$9.95	
b. xl 1991-2016			
3/8" x .025" (each)	50-7113	\$6.95	
10 pack	50-7110	\$12.95	
3/8" x .050" (each)	50-7114	\$6.95	
10 pack	50-7111	\$13.95	
3/8" x .075" (each)	50-7115	\$7.95	
10 pack	50-7112	\$16.95	
Shim, .515" x 1" x .125" (each)	50-7090	\$9.95	
14. Backplate mounting bolt – xl 1957-'85			
3/16"-18 x 1" 3987 (each)	<b>USA</b> 50-0108	\$6.95	
3/16"-24 x 3/4" <i>(Discontinued)</i>	N/A	—	
15. Elbow fitting (each)	50-8110	\$27.95	
16. Breather screw			
Standard length	N/A	—	
17. Breather screw o-ring – 3/8" O.D. (each) 11140, 11273	50-8270	\$6.95	
5 pack	50-8130	\$9.95	
18. Breather screw o-ring – 1/2" O.D. 11110 each	50-8006	\$6.95	
10 pack	50-8077	\$12.95	
19. Breather screw washer	50-7119	\$6.95	
20. Breather fitting (each)	17-0350	\$9.95	
2 pack	17-0355	\$12.95	
21. Crankcase breather hose			
a. xl 1978-'90	17-0113	\$7.95	
b. xl 1991-'06	<b>USA</b> 17-0339	\$14.95	
22. Vent hose connector	50-8111	\$7.95	
23. Backplate plug 1/8"-27 (each)	50-8331A	\$7.95	
10 pack	50-1015	\$15.95	
24. Locknut – 3/16"-18 <i>(Use with support bracket - see #26)</i>	50-5021	\$4.95	
25. Flatwasher – 3/16" x 1/16" 6320, 70907-07, 6016, 6702	50-7034	\$4.95	
26. Support bracket			
xl 1957-'85	17-0393	\$27.95	
xl 2004-2016	17-0305	\$19.95	
27. Mounting bracket bolt – xl 1957-'90 and 2004-'06	50-0110	\$4.95	
28. Lockwasher – 3/8"	50-7032	\$4.95	
29. Flatwasher – 3/16" x 1/8"	50-7033	\$4.95	
30. Wire tie (N/S)	50-8003	\$6.95	
31. Hose clamp (N/S)	50-8002	\$7.95	
32. Air cleaner assembly <i>(Includes: Chrome cover, backplate, filter element, and hardware kit)</i>			
xl 1957-'85	17-0400±	\$326.95	
xl 1986-'90	17-0399±	\$316.95	
xl 1991-'03	17-0404±	\$316.95	
33. Mounting hardware package (N/S) <i>Includes all parts needed to install air cleaners:</i>			
xl 1957-'85	17-0441±	\$24.95	
xl 1986-'90	17-0458±	\$61.95	
34. Screw vent fitting			
1993-2006	17-0347	\$23.95	
35. Screw, air cleaner to head	17-0346	\$10.95	
36. Washer, silicone coated steel, xl 1991-'06, .520" (each)	50-7055	\$7.95	
10 pack	50-7057	\$17.95	
37. Spring clamps (N/S)	50-8001	\$4.95	
38. Breather conversion kit, xl 1 7/8" carbs (N/S)	17-0487	\$72.95	

Convert early S&S air cleaners for 1991-'03 xl with o-ring breather fittings to new style breather hardware. xl kits include special insulator block, and manifold screws.

(N/S) = Not Shown

All reference to HD® part numbers is for identification purposes only. We in no way are implying that any of S&S Cycle's products are original equipment parts or that they are equivalent to the corresponding HD® part number shown.

⚠ WARNING: Cancer and Reproductive Harm – www.P65Warnings.ca.gov



MB

2007-'17  
TWIN CAM  
96"/103"/110"

1999-'06  
TWIN CAM  
88"

SPORTSTER, STREET,  
NIGHTSTER, STREET ROD  
& BUELL

TOOLS &  
SHOP  
SUPPLIES

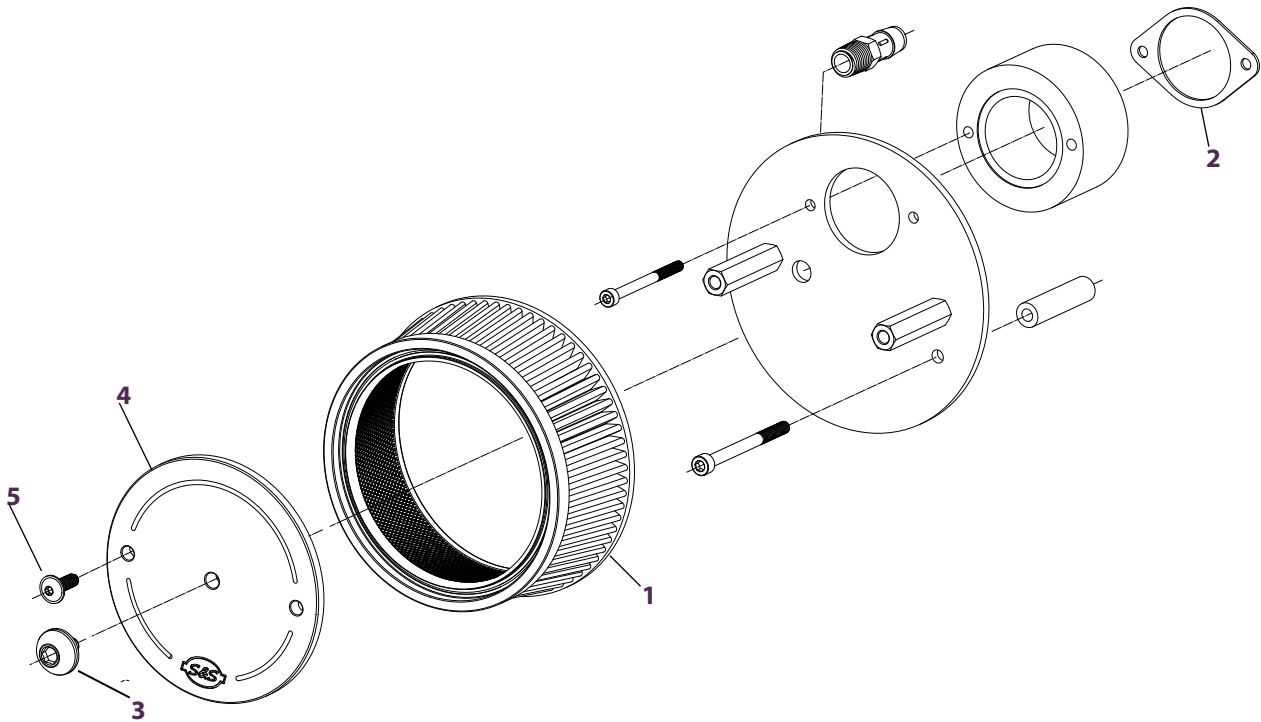
WARRANTY &  
COMPANY  
POLICY

APPENDIX



For Street® Models

- 1. Filter, Air, Tprd, StdPlt, 5.500" x 6.000" ..... **170-0126** \$61.95
- 2. Gasket, Intake, 1.720" ..... **170-0371** \$9.95
- 3. Screw, SHCB, 3/16-18 x .500", Pol, Stnls Stl ..... **170-0508** \$22.95
- 4. Plate, Top, Air Filter, S&S® Logo, GIBlk ..... **170-0379** \$42.95
- 5. Screw, SHC, Flng Btn, 1/4-20 UNC x .750" (2 Req) ..... **500-0060** \$7.95



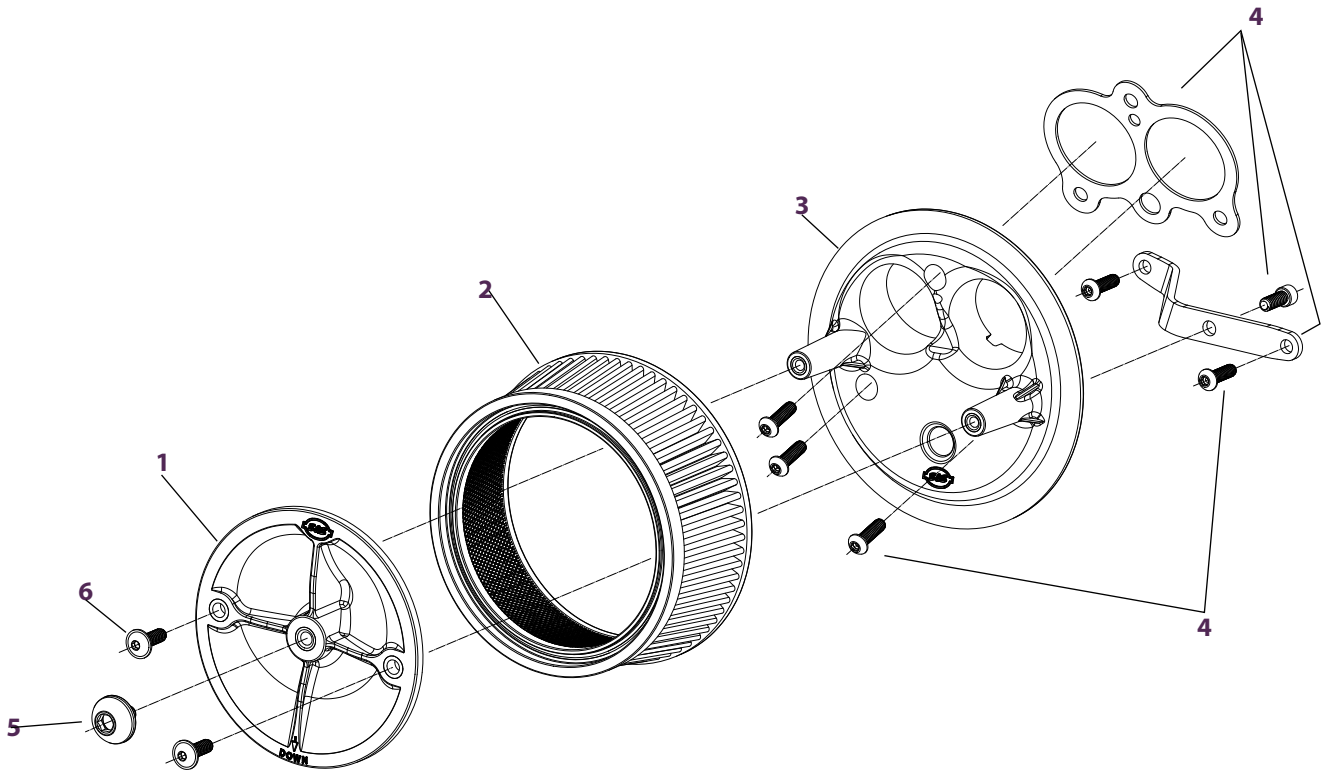
SPORTSTER, STREET,  
NIGHTSTER, STREET ROD  
& BUELL



- 1. Top plate, filter, air, molded, plastic ..... **170-0026** \$19.95
- 2. Filter, air, tapered, standard, pleated, 5.50" X 6.00" ..... **170-0126** \$61.95
- 3. Backplate, air cleaner, dual bore, injection molded ..... **170-0415** \$91.95
- 4. Hardware Kit, Stealth, 2017 Street Rod™ ..... **500-0690** \$60.95

*Includes: Gasket, Intake, Dual Bore 2017 Street Rod™  
 Bracket, Backplate, PC, Blk, '17 Street Rod  
 Screw, SCH, 1/4-20 x 5/8", Zinc, Steel  
 Screw; BHC; M6 x 20mm; Zinc; ASTM F835M-1986 (QTY 5)  
 Sealant, .5ml*

- 5. Screw, SBHCS, 5/16-18 UNC x .500", Polished, stainless .... **170-0508** \$22.95
- 6. Screw, SHC, flanged button, 1/4-20 UNC x .750" ..... **500-0060** \$7.95



MB

2007-'17  
TWIN CAM  
96"/103"/110"

1999-'06  
TWIN CAM  
88"

SPORTSTER, STREET,  
NIGHTSTER, STREET ROD  
& BUELL

TOOLS &  
SHOP  
SUPPLIES

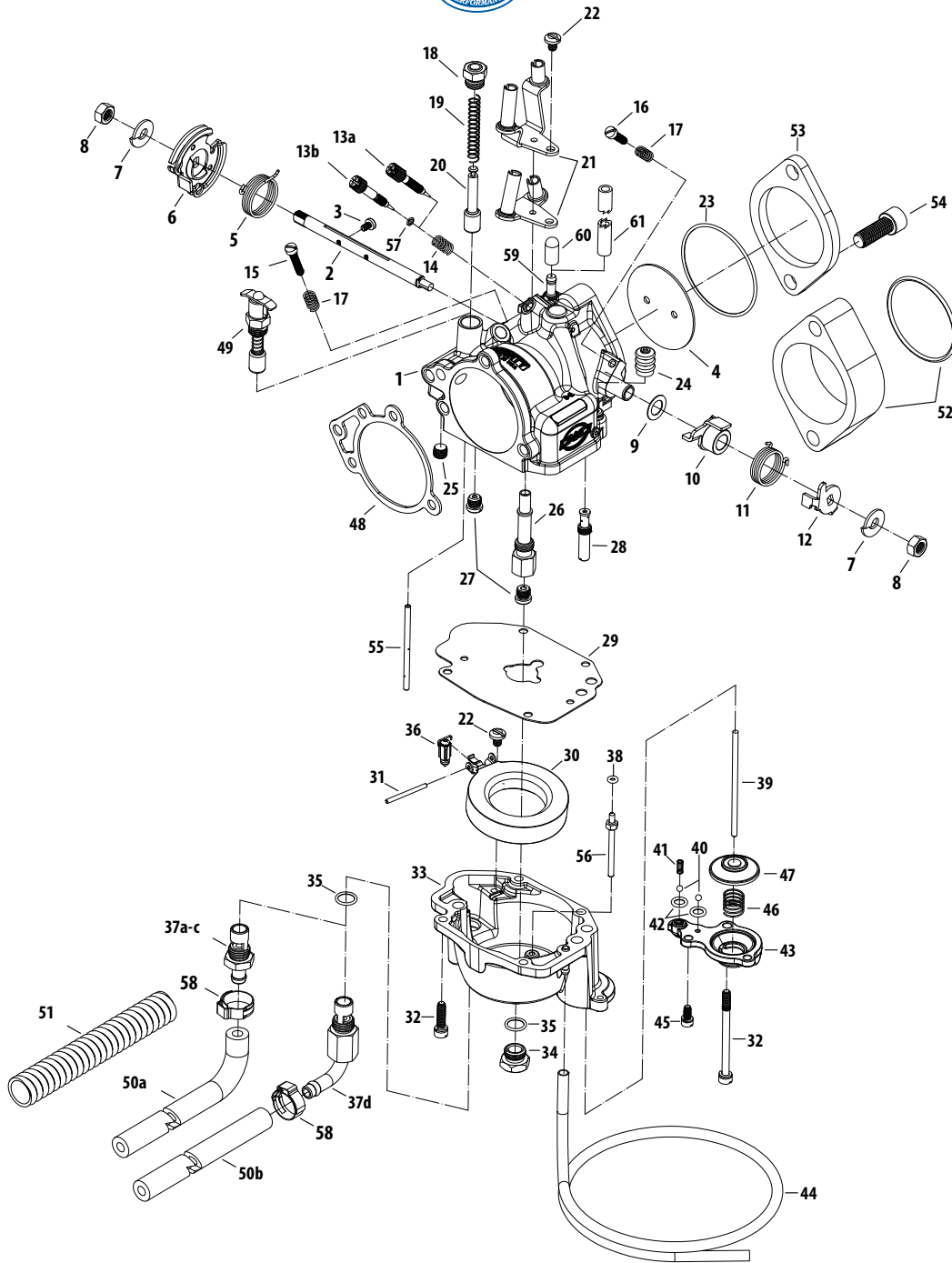
WARRANTY &  
COMPANY  
POLICY

APPENDIX



1. Carb body assembly			
1 7/8" Super E	<b>USA</b>	<b>11-2381±</b>	\$305.95
2 1/4" Super G		<b>11-2391±</b>	\$316.95
2. Throttle shaft			
1 7/8" Super E — Includes two plate screws		<b>11-2383</b>	\$31.95
2 1/4" Super G — Includes two plate screws		<b>11-2483</b>	\$28.95
3. Throttle plate screw 11-2045- (two required) (each)		<b>50-0055-S</b>	\$6.95
10 pack		<b>50-0064</b>	\$14.95
4. Throttle plate			
1 7/8" Super E		<b>11-2055</b>	\$16.95
2 1/4" Super G		<b>11-2355</b>	\$21.95
5. Throttle return spring (each)		<b>11-2382</b>	\$7.95
5 Pack	<b>USA</b>	<b>11-3502</b>	\$12.95
6. Throttle spool	<b>USA</b>	<b>11-2385</b>	\$23.95
7. Throttle shaft lock washer (two required)		<b>50-7031</b>	\$6.95
8. Throttle shaft nut (two required) (each)		<b>11-2350</b>	\$7.95
5 pack		<b>11-2363</b>	\$12.95
9. Throttle shaft nylon washer (each)		<b>50-7050</b>	\$6.95
10 pack		<b>50-7072</b>	\$12.95
10. Pump actuator lever		<b>11-2376</b>	\$14.95
11. Actuator spring (each)		<b>11-2375-S</b>	\$6.95
5 pack	<b>USA</b>	<b>11-3501</b>	\$14.95
12. Pump actuator arm		<b>11-2377</b>	\$8.95
13. Idle mixture screw			
a. Idle mixture screw, brass (each)		<b>11-2354±</b>	\$14.95
5 pack		<b>11-2378±</b>	\$60.95
b. Idle mixture screw only			
each		<b>110-0003</b>	\$16.95
Idle mixture screw w/ 500-0036 o-ring			
each		<b>110-0068±</b>	\$17.95
5 pack		<b>110-0069±</b>	\$70.95
14. Idle mixture screw spring (each)		<b>11-2052</b>	\$4.95
10 Pack	<b>USA</b>	<b>11-2060</b>	\$12.95
15. Idle speed screw (each)		<b>50-0038</b>	\$6.95
10 Pack		<b>50-0150</b>	\$13.95
16. Pump adjustment screw (each)		<b>50-0039</b>	\$6.95
10 Pack		<b>50-0146</b>	\$9.95
17. Idle speed/pump adjuster spring (each)		<b>11-2048</b>	\$4.95
10 pack	<b>USA</b>	<b>11-2053</b>	\$12.95
18. Plunger nut (each)		<b>11-2344±</b>	\$8.95
5 Pack		<b>11-2372±</b>	\$19.95
19. Plunger spring (each)		<b>11-2340</b>	\$6.95
10 Pack	<b>USA</b>	<b>11-2359</b>	\$15.95
20. Fast idle plunger		<b>11-2343</b>	\$19.95
21. Cable guide assembly with screw			
Use with butterfly style cables		<b>11-2339P</b>	\$40.95
Use with constant velocity style cables		<b>11-2338P</b>	\$40.95
22. Cable clamp/float pin screw (each)		<b>50-0041</b>	\$6.95
10 Pack		<b>50-0062</b>	\$9.95
23. O-ring			
1 7/8" Super E (each)		<b>50-8016</b>	\$6.95
10 Pack		<b>50-8094</b>	\$14.95
2 1/4" Super G (each)		<b>50-8015</b>	\$7.95
10 pack		<b>50-8093</b>	\$15.95
24. Bellows seal (each)		<b>11-2266</b>	\$9.95
5 Pack		<b>11-2279</b>	\$24.95
25. Bowl vent plug (each)		<b>50-0105</b>	\$6.95
10 pack		<b>50-0151</b>	\$11.95
26. Main discharge tube		<b>11-2085±</b>	\$17.95
27. Main jet — See Chart on 309			
28. Intermediate Jets — See Chart on 308			
Series #94 fits all Super 1 7/8", 2 1/4" - 2 1/4" gas carburetors.			
29. Bowl gasket (each)		<b>11-2386</b>	\$8.95
10 pack		<b>11-2387</b>	\$40.95
30. Float		<b>11-2187</b>	\$28.95
31. Float pin (each)		<b>11-2369</b>	\$7.95
5 Pack		<b>11-2370±</b>	\$12.95
32. Bowl screw			
10-24 x 3/4" — Three required (each)		<b>50-0034</b>	\$6.95
10 Pack		<b>50-0063</b>	\$19.95
10-24 x 2 3/8" — One required (each)		<b>50-0040</b>	\$6.95
10 Pack		<b>50-0061</b>	\$14.95
33. Carb bowl (only)			
Carb bowl complete assembly	<b>USA</b>	<b>11-2388±</b>	\$92.95
	<b>USA</b>	<b>11-2388P</b>	\$214.95
34. Bowl plug (each)		<b>11-2090</b>	\$10.95
5 pack		<b>11-2092±</b>	\$53.95
35. Seat o-ring*			
(required with part #11-2465 only when replaces 360° style fuel inlet.)			
each		<b>50-8009</b>	\$6.95
10 pack		<b>50-8095</b>	\$19.95
36. Needle			
1 7/8" Super E & 2 1/4" Super G	<b>USA</b>	<b>11-2195±</b>	\$19.95
Racing only		<b>11-2197±</b>	\$81.95
37. Seat - Includes O-ring #35			
(Replaces obsolete seats 11-2347 and 11-2348)			
a. 1 7/8" E & 2 1/4" G (Uses part #11-2195± needle)		<b>11-2465</b>	\$18.95
b. Racing only (Uses part #11-2197± needle)		N/A	—
c. Racing only - threaded fuel inlet (6AN .157" ID)			
(Uses part #11-2195± needle)		<b>11-2395</b>	\$50.95
d. Permeation Compliant fuel inlet seat Super E or G	<b>USA</b>	<b>106-2011</b>	\$40.95
(Uses part #11-2195± needle)			
38. Ejector nozzle o-ring (each)		<b>50-8011</b>	\$7.95
10 Pack		<b>50-8096</b>	\$13.95
39. Pump pushrod (each)		<b>11-2373</b>	\$11.95
5 Pack	<b>USA</b>	<b>11-2393</b>	\$40.95
40. Check ball - (two required) (each)		<b>50-8090</b>	\$6.95
10 pack		<b>50-8125</b>	\$10.95
41. Check ball spring (each)		<b>11-2374</b>	\$6.95
5 Pack	<b>USA</b>	<b>11-2392</b>	\$14.95
42. Pump cap o-ring - (two required) (each)		<b>50-8012</b>	\$6.95
10 Pack		<b>50-8100</b>	\$16.95
43. Pump cap assembly	<b>USA</b>	<b>11-2389</b>	\$40.95
44. Overflow hose per 24" 27369-76			
(each)	<b>USA</b>	<b>19-0262-S</b>	\$10.95
5 Pack	<b>USA</b>	<b>19-0263</b>	\$40.95
45. Pump cap screw 8-32 - (two required) (each)		<b>50-0042</b>	\$6.95
10 Pack		<b>50-0098</b>	\$10.95
46. Diaphragm spring (each)		<b>11-2275</b>	\$7.95
10 pack	<b>USA</b>	<b>11-2278</b>	\$13.95
47. Diaphragm		<b>11-2282</b>	\$21.95
48. Gasket, backplate (each)		<b>106-1724</b>	\$8.95
10 pack		<b>106-2328</b>	\$40.95
49. Enrichment device (Use with air horn only)	<b>USA</b>	<b>11-2084±</b>	\$40.95
50. Fuel line			
a. Fuel line With 90° bend*19" (Use with part #11-2465)	<b>USA</b>		N/A
	<b>USA</b>		
b. Permeation Compliant straight, 311" x .563" x 17.5"	<b>USA</b>	<b>190-0001</b>	\$13.95
(Use with part #106-2011, 90° seat)			
51. Fuel line insulator-12"	<b>USA</b>	<b>19-0172</b>	\$40.95
52. Spacer, Kit, w/ O-ring			
1 7/8" x 1"		<b>16-0057*</b>	\$81.95
2 1/4" x 1"		<b>16-0357*</b>	\$91.95
2 1/4" x 1"		<b>16-0157</b>	\$91.95
*Use with 1" Spacer Block		<b>16-0058</b>	\$171.95
53. Insulator Block, Manifold, w/ O-ring			
1 7/8" x 1/4" Super E		<b>16-0491</b>	\$40.95
1 7/8" x 3/8" Super E		<b>16-0497</b>	\$40.95
16-0502			\$61.95
2 1/4" x 1/4" Super G		<b>16-0492</b>	\$40.95
2 1/4" x 3/8" Super G		<b>16-0498</b>	\$41.95

All reference to HD® part numbers is for identification purposes only. We in no way are implying that any of S&S Cycle's products are original equipment parts or that they are equivalent to the corresponding HD® part number shown.



<b>54. Screw</b>			
1" x 3/8"-16 (each)	<b>50-0161</b>	\$4.95	
1 1/4" x 3/8"-16 (each)	<b>50-0162</b>	\$6.95	
10 pack	<b>50-0177</b>	\$15.95	
1 3/8" x 3/8"-16 (each)	<b>50-0163</b>	\$8.95	
5 pack	<b>50-0178</b>	\$16.95	
2" x 3/8"-16 (each)	<b>50-0164</b>	\$7.95	
5 pack	<b>50-0185</b>	\$20.95	
2004-'06 Top Carb to Manifold			
1 1/2" x 3/8"-16	<b>50-0354-S</b>	\$4.95	
2004-'06 Low Carb to Manifold			
1 1/2" x 3/8"-16	<b>50-0351-S</b>	\$12.95	
<b>55. Tube, Fast Idle Pick-Up, Super E/G, .125" x 2.350", Brass</b>	<b>0381F±</b>	\$10.95	
<b>56. Tube, Ejector Nozzle, Super E/G, Flared, Brass</b>	<b>106-6124±</b>	\$14.95	
<b>57. O-ring, 3mm x 5mm x 1mm (each)</b>	<b>500-0036</b>	\$6.95	
10 pack	<b>500-0148</b>	\$12.95	

<b>58. Clamp, 5/8" - 7/8"</b>	<b>50-8002</b>	\$7.95
<b>59. Hose, Fitting straight, .040"</b>	<b>16-0134</b>	\$8.95
<b>60. VOES Fitting Cap</b>	<b>50-8372</b>	\$6.95
<b>61. VOES/Oil Return Hose</b>	<b>19-0395</b>	\$8.95

\*360° banjo style fuel inlet fitting used on early S&S E&G carbs is no longer available. Replace with one of the inlet/seal fittings listed under #37 on this page. We highly recommend inlet/seal #106-2011.

± WARNING: Cancer and Reproductive Harm – www.P65Warnings.ca.gov

**CARBURETOR REBUILD KITS  
SEE 309**

MB

2007-'17  
TWIN CAM  
96"/103"/110"

1999-'06  
TWIN CAM  
88"

SPORTSTER, STREET,  
NIGHTSTER, STREET ROD  
& BUELL

TOOLS &  
SHOP  
SUPPLIES

WARRANTY &  
COMPANY  
POLICY

APPENDIX



**.650" Lift Sidewinder® Valve Springs**  
(Stock, Super Stock® & CNC Ported Cylinder Heads)

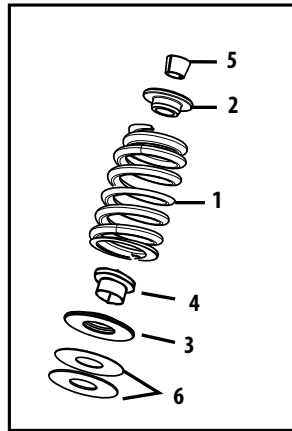
- 1. SPRING, VALVE .650" ..... **106-5689** \$70.95
- 2. Collar, Top, Steel ..... **106-5690** \$19.95
- 3. Collar, Bottom, Steel ..... **106-5691** \$14.95
- 4. Seal, Valve  
S&S CNC Ported Heads & Stock w/7mm valve stem ..... **106-5688** \$8.95  
S&S Super Stock Heads Stock w/5/16 valve stem  
.420" Cast (each) ..... **900-0338** \$7.95  
.562" Powder Metal (4 pack) ..... **900-0737** \$14.95
- 5. Keeper, valve spring  
S&S CNC Ported Heads & Stock w/7mm valve stem ..... **106-5692** \$10.95  
S&S Super Stock Heads & Stock w/5/16 valve stem ..... **90-2094-S** \$8.95
- 6. Valve Spring Shim  
.015" (each) ..... **500-0013** \$7.95  
.030" (each) ..... **500-0014** \$7.95

**.585" Lift Valve Springs**  
(Stock, Super Stock® & CNC Ported Cylinder Heads)

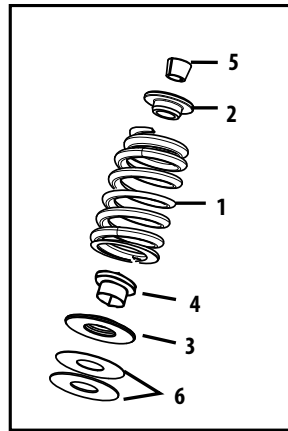
- 1. Spring, Valve .585" ..... **900-0444** \$40.95
- 2. Collar, Top ..... **900-0550** \$14.95
- 3. Collar, Bottom  
For Stock Heads w/7mm valve stem (includes seal) ..... **900-0590** \$12.95  
For CNC Ported Heads w/7mm valve stem ..... **900-0549** \$14.95  
For Super Stock Heads ..... **900-0600** \$10.95
- 4. Seal, valve guide  
For Stock Heads w/7mm valve stem (includes bottom collar) ..... **900-0590** \$12.95  
For CNC Ported Heads w/7mm valve stem ..... **106-5688** \$8.95  
For Super Stock Heads & Stock w/5/16 valve stem  
.420" Cast (each) ..... **900-0338** \$7.95  
.562" Powdermetal (4 pack) ..... **900-0737** \$14.95
- 5. Keeper, valve spring  
For Stock and CNC Ported Heads ..... **106-5692** \$10.95  
For Super Stock Heads & Stock w/5/16 valve stem ..... **90-2094-S** \$8.95
- 6. Valve spring shim  
For Stock and CNC Ported Heads  
.015" ..... **500-0013** \$7.95  
.030" ..... **500-0014** \$7.95  
For Super Stock Heads & Stock w/5/16 valve stem  
.015" ..... **90-2086** \$6.95  
.030" ..... **90-2087** \$7.95

SPORTSTER, STREET, NIGHTSTER, STREET ROD & BUELL

**.650" Lift Sidewinder® Valve Springs**



**.585" Lift Valve Springs**





# TOOLS & SHOP SUPPLIES

Anti-Rotation Bracket .....	page 343
Boring Plate Kits.....	page 340
Carburetor Jet Kits .....	page 345
Champion® Spark Plugs .....	page 345
Compression Release Socket Kit.....	page 339
Connecting Rod Checking Pins.....	page 339
Crankcase Oil Passage Drilling Jig .....	page 343
Crankpin Nut Clearancing Gauges.....	page 343
Cylinder Torque Plate Kits.....	page 341
Dealer Service Kit (Exhaust) .....	page 347
Degree Wheel Kit .....	page 342
Engine Stands.....	page 347
Inner Primary Bearing Race Installer..	page 338
Main Jet Tool.....	page 339
Oil Filters.....	page 344
Rocker Cover Wrench Set .....	page 339
S&S® Oil .....	page 344
Tappet Block Alignment Tool.....	page 338
Top Dead Center Tool .....	page 339
Touch Up Paint, Lubricant, Sealants ..	page 347





- Easy to find the exact top dead center of any engine
- The best way to calibrate your degree wheel when dialing in cams or performing any number of checks and modifications based on the position of the crankshaft
- Available for engines with 14mm or 12mm spark plug holes.



53-0322



53-0040



53-0452



53-0045

S&S® TOP DEAD CENTER TOOL		
Description	Part #	
14mm	53-0321	\$61.95
12mm	53-0322	\$61.95
S&S ROCKER COVER WRENCH SET		
Helpful in areas where the motorcycle frame may prevent the use of conventional tools.	53-0040	\$154.95
CONNECTING ROD CHECKING PINS		
These pins are used to check alignment of connecting rods and wristpin bushings with crankcase cylinder decks.		
.927"	53-0004	\$71.95
S&S COMPRESSION RELEASE SOCKET KIT		
Allows in-frame installation of S&S compression releases and protects wiring from damage during installation.	53-0045	\$178.95
MAIN JET TOOL		
For changing main jets in all S&S carburetors using #72 series jets.	53-0452	\$27.95

**NOTE:**

Rocker covers must be removed when installing S&S compression releases. If lack of frame clearance prevents removal of rocker covers, engine must be removed from frame for compression release installation.

MB

2007-'17  
TWIN CAM  
96"/103"/110"

1999-'06  
TWIN CAM  
88"

SPORTSTER, STREET,  
NIGHTSTER, STREET ROD  
& BUELL

TOOLS &  
SHOP  
SUPPLIES

WARRANTY &  
COMPANY  
POLICY

APPENDIX

For Cylinder Heads and Crankcase

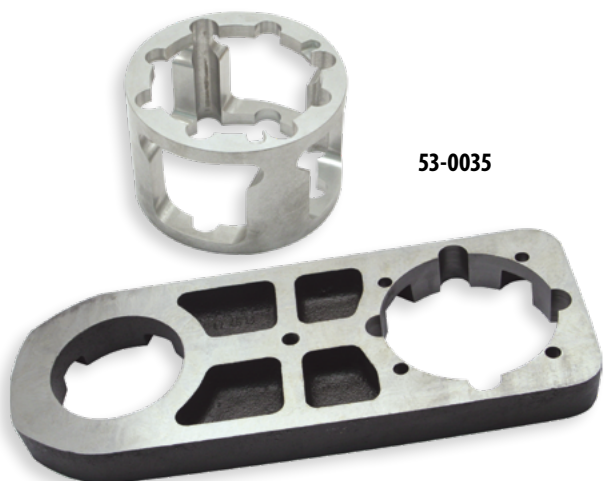
- Designed to simplify and reduce the time required to prepare crankcases and cylinder heads for S&S® Sidewinder® big bore kit installations
- Machined cast iron with precision ground working surfaces



53-0006



53-0008



53-0035



53-0007

TOOLS & SHOP SUPPLIES

**BORING PLATE KIT FOR 1936-'99 BIG TWIN AND 1986-'03 SPORTSTER® MODELS**

**Description** Part # MSRP  
 This boring plate kit has panhead and shovelhead head bolt patterns in one end. The other end is machined with the cylinder base patterns of 1936-'99 big twin engines, and 1986-'03 Harley-Davidson® Sportster models. Spacers are available for Evolution® engines which allow the cases to be bored without removing the cylinder studs (see below). Spacers are not included in this kit.

Kit	<b>53-0006</b>	<b>\$550.95</b>
Boring plate (1)	<b>N/A</b>	
Screw, 7/16" -20 x 1 1/4" Sockethead Cap	<b>50-0172</b>	<b>\$7.95</b>

**SPACERS FOR EVOLUTION CRANKCASES**

Spacer part #53-0007 is required for 1986-'03 Sportster models. Spacers part #53-0007 are both required for 1984-'99 big twin engines.

3 1/16" tall	<b>53-0007</b>	<b>\$173.95</b>
--------------	----------------	-----------------

**BORING PLATE KIT FOR CRANKCASES & CYLINDERS FOR TWIN CAM 88® ENGINES**

This boring plate kit is designed for boring stock crankcases of Harley-Davidson® Twin Cam 88® engines to accept S&S Super Sidewinder® 4" and 4 1/8" bore cylinders with stock cylinder stud pattern. A spacer is included with the kit which allows the cases to be bored without removing the cylinder studs.

Kit	<b>53-0035</b>	<b>\$622.95</b>
Boring plate	<b>53-0036</b>	<b>\$329.95</b>
Spacer, 3 3/4" tall	<b>53-0037</b>	<b>\$398.95</b>



**FITMENT**

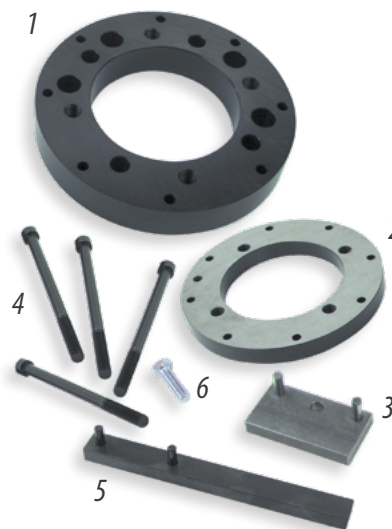
- 4.25 bore 2017–up touring models
- S&S 4 1/8" bore
- 4" bore 1999–up big twin
- 3 3/8" 1984–'99 big twin
- Harley-Davidson® Sportster® models in 3 3/8" and 4" bore

**FEATURES AND BENEFITS**

- S&S torque plates can be used in conjunction with an S&S boring fixture and a conventional boring bar, and they can be readily adapted to a Sunnen® type honing machine.

**KIT CONTENTS**

- Head end plate
- Base end plate
- Four long grade 8 socket head cap screws (holds the assembly together and supplies the pressure)
- Stop arm (keeps the cylinder and plates from turning while honing)



**CYLINDER TORQUE PLATE REPLACEMENT PARTS**

(See chart for specific part numbers.)

1. Base end torque plate
2. Head end torque plate
3. Stop arm
4. Torque bolts
5. Vise tab
6. Tab bolt

S&S® CYLINDER TORQUE PLATE KITS			
Bore Size	Case Bolt Pattern	Part #	M SRP
4.25	2017–up M8	<b>530-0038</b>	<b>\$1,174.95</b>
4 3/8" - 4 7/16"	S&S 4 3/8" Pattern	<b>53-0055</b>	<b>\$762.95</b>
4 1/8"	Stock 1999–up big twin	<b>53-0054</b>	<b>\$754.95</b>
4 1/8"	S&S 4 1/8" Pattern	<b>53-0051</b>	<b>\$887.95</b>
3 3/8"	1984–'99 big twin	<b>53-0016</b>	<b>\$887.95</b>
3 3/8"	1984–'03 Sportster®	<b>53-0016</b>	<b>\$887.95</b>

S&S Cylinder torque plate kits are intended for aluminum cylinders including 1984–'99 Harley-Davidson® Evolution® big twin engines, 1986–'03 Sportster models, and 1999–up big twin engines.

S&S® CYLINDER TORQUE PLATE KITS AND REPLACEMENT PARTS										
Bore Size	Case Bolt Pattern	Kit Part #	Head End Plate	Base End Plate	Stop Arm	Bolt 7/16" - 20 x 6"	Bolt 7/16" - 20 x 7"	Bolt M10 x 1.5MM x 160MM	Vise Tab	Tab Bolt 5/16" - 18 x 1"
4.25	2017–up M8	<b>530-0038</b>	<b>530-0039</b>	<b>530-0044</b>	<b>53-0014</b>	–	<b>50-0192</b>	–	<b>53-0034</b>	<b>50-0108</b>
4 3/8" - 4 7/16"	S&S 4 3/8" Pattern	<b>53-0055</b>	<b>53-0056</b>	<b>53-0057</b>	<b>53-0014</b>	–	<b>50-0192</b>	–	<b>53-0034</b>	<b>50-0108</b>
4 1/8"	Stock 1999–up big twin	<b>53-0054</b>	<b>106-3190</b>	<b>530-0060</b>	<b>53-0014</b>	–	–	<b>500-1053</b>	<b>53-0034</b>	<b>50-0108</b>
4 1/8"	S&S 4 1/8" Pattern	<b>53-0051</b>	<b>53-0052</b>	<b>53-0053</b>	<b>53-0014</b>	<b>50-0191</b>	–	–	<b>53-0034</b>	<b>50-0108</b>
3.927" - 4"	Stock 1999–up big twin	–	–	<b>53-0050</b>	<b>53-0014</b>	–	<b>50-0192</b>	–	<b>53-0034</b>	<b>50-0108</b>
4"	S&S 4" Pattern	–	–	–	<b>53-0014</b>	<b>50-0191</b>	<b>50-0192</b>	–	<b>53-0034</b>	<b>50-0108</b>
3 3/8"	1984–'99 big twin	<b>53-0016</b>	<b>53-0017</b>	<b>53-0018</b>	<b>53-0014</b>	–	<b>50-0192</b>	–	<b>53-0034</b>	<b>50-0108</b>
3 3/8"	1984–'03 Sportster®	<b>53-0016</b>	<b>53-0017</b>	<b>53-0018</b>	<b>53-0014</b>	–	<b>50-0192</b>	–	<b>53-0034</b>	<b>50-0108</b>

S&S Cylinder torque plate kits are intended for aluminum cylinders including 1984–'99 Harley-Davidson® Evolution® big twin engines, 1986–'03 Sportster models, and 1999–up Twin Cam 88® engines.

M8

2007–'17  
TWIN CAM  
96"/103"/110"

1999–'06  
TWIN CAM  
88"

SPORTSTER, STREET,  
NIGHTSTER, STREET ROD  
& BUELL

TOOLS &  
SHOP  
SUPPLIES

WARRANTY &  
COMPANY  
POLICY

APPENDIX



HEAD END PLATE			
Bore Size	Case Bolt Pattern	Part #	MSRP
4.25"	2017-up M8	530-0039	\$458.95
4 3/8"	S&S 4 3/8" Pattern	53-0056	\$377.95
4 1/8"	Stock 1999-up big twin	106-3190	\$356.95
4 1/8"	S&S 4 1/8" Pattern	53-0052	\$438.95
3 5/8"	1984-'99 big twin	53-0017	\$377.95
3 5/8"	1984-'03 Sportster®	53-0017	\$377.95

BASE END PLATE			
Bore Size	Case Bolt Pattern	Part #	MSRP
4.25"	2017-up M8	530-0044	\$418.95
4 3/8"	S&S 4 3/8" Pattern	53-0057	\$377.95
4 1/8"	Stock 1999-up big twin	530-0060	\$377.95
4 1/8"	S&S 4 1/8" Pattern	53-0053	\$377.95
4"	Stock 1999-up big twin	53-0050	\$373.95
3 5/8"	1984-'99 big twin	53-0018	\$377.95
3 5/8"	1984-'03 Sportster®	53-0018	\$377.95

STOP ARM			
Bore Size	Case Bolt Pattern	Part #	MSRP
All	All	53-0014	\$61.95

BOLT 7/16"-20 X 6"				
Bore Size	Case Bolt Pattern		Part #	MSRP
4 1/8"	S&S® 4 1/8" Pattern	Each	50-0191	
		4 pack	50-0191P	
4"	S&S 4" Pattern	Each	50-0191	
		4 pack	50-0191P	

BOLT 7/16"-20 X 7"				
Bore Size	Case Bolt Pattern		Part #	MSRP
4.25"	2017-up M8	Each	50-0192	\$61.95
		4 pack	50-0192P	\$214.95
4 3/8"	S&S 4 3/8" Pattern	Each	50-0192	\$61.95
		4 pack	50-0192P	\$214.95
4"	Stock 1999-up big twin	Each	50-0192	\$61.95
		4 pack	50-0192P	\$214.95
4"	S&S 4" Pattern	Each	50-0192	\$61.95
		4 pack	50-0192P	\$214.95
3 5/8"	1984-'99 big twin	Each	50-0192	\$61.95
		4 pack	50-0192P	\$214.95
3 5/8"	1984-'03 Sportster®	Each	50-0192	\$61.95
		4 pack	50-0192P	\$214.95

BOLT M10 X 1.5MM X 160MM				
Bore Size	Case Bolt Pattern		Part #	MSRP
4 1/8"	Stock 1999-up big twin	Each	500-1053	\$11.95
		4 pack	500-1052	\$40.95

VISE TAB			
Bore Size	Case Bolt Pattern	Part #	MSRP
All	All	53-0034	\$40.95

TAB BOLT 5/16"-18 X 1"				
Bore	Case Bolt Pattern		Part #	MSRP
All	All 3987	Each	50-0108	\$6.95

TOOLS & SHOP SUPPLIES

## Degree Wheel Kit

- Multipurpose S&S® degree wheel can be used to do ignition timing, crankcase breather timing, cam degreering, or you name it
- Designed to fit the sprocket shaft of any big twin or Harley-Davidson® Sportster® model simply by using the correct adapter provided
- Each kit also comes with a pointer which is held in place with the center crankcase bolt



53-0020

S&S DEGREE WHEEL KIT		
Description	Part #	MSRP
Kit	53-0020	\$152.95
Adapter for Sportster® models (1 Each)	53-0023	\$23.95
Adapter for big twin (1 Each)	53-0024	\$20.95
Pointer (1 Each)	53-0025	\$12.95
Degree wheel and main adapter assembly (1 Each)	53-0026	\$91.95



- Designed to simplify and eliminate clearancing problems that may arise when installing stroker flywheels in stock big twin crankcases
- By painting the bosses to be clearanced and then placing the appropriate gauge on the main bearing race, the crankcases can be marked with a scribe in the proper hole for the stroke and style connecting rod crankpin nuts to be used—**quickly and precisely.**



**S&S® CRANKPIN NUT CLEARANCING GAUGES**

Description	Part #	MSRP
1958–'99 Big Twin Gauge	<b>53-0005</b>	<b>\$40.95</b>

**Anti-Rotation Bracket**

This handy bracket slides over the sprocket shaft splines of big twin engines and bolts to one of the primary bolt holes of the crankcase to keep the crank from rotating. It's like an extra set of hands while installing pistons and cylinders.

50-9870



**ANTI-ROTATION BRACKET**

Fitment	Part #	MSRP
1970–2006 Big Twin (except '06 Dyna®)	<b>50-9870</b>	<b>\$19.95</b>
2007–up Big Twin, 2006 Dyna®	<b>530-0018</b>	<b>\$27.95</b>

**Crankcase Oil Passage Drilling Jig**

**DRILL JIG IS USED TO DRILL...**

- Primary chain oil supply passage from the breather valve gear cavity to the back side of the oil pump body on late generator and early alternator crankcases.
- Pressure relief passage from behind the main oil pressure valve to the gear cavity on alternator crankcases.
- Crankshaft and main bearings supply passage on generator crankcases.
- Crankshaft and main bearings supply passage on early alternator crankcases.



**S&S CRANKCASE OIL PASSAGE DRILLING JIG**

Description	Part #	MSRP
The S&S crankcase oil passage drilling jig is used to perform crankcase drilling modifications when installing an S&S oil pump assembly on early big twin crankcases. Made of hardened steel for durability, this fixture enables the builder to do four modifications.	<b>53-0013</b>	<b>\$70.95</b>

MB

2007-'17  
TWIN CAM  
96"/103"/110"

1999-'06  
TWIN CAM  
88"

SPORTSTER, STREET,  
NIGHTSTER, STREET ROD  
& BUELL

TOOLS &  
SHOP  
SUPPLIES

WARRANTY &  
COMPANY  
POLICY

APPENDIX



**FEATURES AND BENEFITS**

- Ultimate protection
- Superior lubrication for reduced engine wear and lower oil temperatures
- Provides consistent viscosity, and resists thermal breakdown and oxidation at elevated temperatures
- Includes a oil drain plug oring for convenience



S&S® OIL CHANGE KIT		
Description	Part #	MSRP
Harley-Davidson® big twin & Sportster® Models with Evolution® engines (using OEM filter #63796-77A, 63806-83, 63805-80A) 4 quarts of SAE 20W-50 Synthetic Engine Oil with chrome oil filter	3601-0412	\$120.95
Harley-Davidson® Twin Cam 88®/96™/103™/110™ engines (using OEM filter #63798-99, 63731-99A)	3601-0413	\$120.95
2017–2021 Harley-Davidson® Models with Milwaukee-Eight® engine 5 quarts of SAE 20W-50 Synthetic Engine Oil with chrome oil filter	3601-0492	\$140.95

S&S® OIL		
Description	Part #	MSRP
20W50 Synthetic, 1 quart	3601-0407	\$19.95
20W50 Synthetic, 2.5 Gallon	3601-0408	\$183.95
Primary, Synthetic, 1 quart	3603-0044	\$19.95
80W140 Gear, Synthetic, 1 quart	3604-0007	\$19.95
Chain/Gear, Synthetic, 1 quart	3604-0008	\$25.95

TOOLS & SHOP SUPPLIES

**Oil Filters**

**FEATURES AND BENEFITS**

- Captures smaller particles than stock filters
- Low restriction to oil flow
- Direct bypass —bypass oil does not pass over dirty filter media
- Smaller diameter for easier installation
- Black or chrome finish



S&S® OIL FILTERS						
Year Application	Micron Rating	QTY	Chrome	MSRP	Black	MSRP
1984–'99 Evolution®, 1986–'17 XL and 1991–'02 Buell®	30µ	each	31-4102A 63796-77A	\$23.95	31-4101A 63805-80A	\$20.95
		12 pack	310-0240	\$288.95	310-0239	\$183.95
1999–'17* Twin Cam 88®/96™/103™ and Milwaukee-Eight® engines	10µ	each	31-4104A 63798-99A	\$23.95	31-4103A 63731-99A	\$20.95
		12 pack	310-0242	\$288.95	310-0241	\$183.95

\*Contains an anti-drain back valve





For those who need to rejet their carburetor because of engine modifications, exhaust modifications, or changes in altitude, we have extra jet kits available which are designed to cover most jetting situations.

DEALER JET KITS		
Description	Part #	MSRP
S&S Jet Kit (Includes 3 each of all intermediate jets and 5 each of all main jets, plus a main jet tool)	<b>11-3102</b>	<b>\$418.95</b>
WARNING: Cancer and Reproductive Harm – www.P65Warnings.ca.gov		

**NOTE:**

No returns or exchanges on jets.

Early Series #94 gas jets were stamped with single digit numbers. Conversions for these numbers are:

1.....	.025"	4.....	.033"
2.....	.028"	5.....	.036"
3.....	.031"	6.....	.040"



11-3102±



11-7272±

JET PACKS		
Description	Part #	MSRP
Low Range Jet Pack – For jetting most stock and moderate performance engines. Includes one each intermediate jets (.025", .0265", .028", .0295") one each main jets (.062", .064", .066", .068", .070", .072", .074").	<b>11-7270</b>	<b>\$71.95</b>
High Range Jet Pack – For jetting some stock and all performance engines. Includes one each intermediate jets (.0295", .031", .032", .033") and one each main jets (.072", .074", .076", .078", .080", .082", .084").	<b>11-7271</b>	<b>\$71.95</b>
Master Jet Pack – For jetting all Super B, E, and G equipped engines. Includes one each intermediate jets (.025", .0265", .028", .0295", .031", .032", .033") and one each main jets (.062", .064", .066", .068", .070", .072", .074", .076", .078", .080", .082", .084").	<b>11-7272</b>	<b>\$112.95</b>
WARNING: Cancer and Reproductive Harm – www.P65Warnings.ca.gov		

INTERMEDIATE JETS - SERIES #94 INDIVIDUAL SELECTION						
Size	QTY	Part #	Size	QTY	Part #	MSRP
.025	each	<b>11-0250</b>	.032	each	<b>11-0320</b>	<b>\$15.95</b>
	3 pack	<b>11-7107</b>		3 pack	<b>11-7112</b>	<b>\$40.95</b>
.0265	each	<b>11-0265</b>	.033	each	<b>11-0330</b>	<b>\$15.95</b>
	3 pack	<b>11-7108</b>		3 pack	<b>11-7113</b>	<b>\$40.95</b>
.028	each	<b>11-0280</b>	.036	each	<b>11-0360</b>	<b>\$15.95</b>
	3 pack	<b>11-7109</b>		3 pack	<b>11-7114</b>	<b>\$40.95</b>
.0295	each	<b>11-0295</b>	.040	each	<b>11-0400</b>	<b>\$15.95</b>
	3 pack	<b>11-7110</b>		3 pack	<b>11-7115</b>	<b>\$40.95</b>
.031	each	<b>11-0310</b>	Blank	each	<b>11-0000</b>	<b>\$11.95</b>
	3 pack	<b>11-7111</b>				
WARNING: Cancer and Reproductive Harm – www.P65Warnings.ca.gov						



106-3517±

Champion® Spark Plugs

CHAMPION® SPARK PLUGS				
Application	Size	QTY	Part #	MSRP
Twin Cam 88°/96°/103°, Sportster®, & S&S 4 1/8" bore engines	12mm Long Reach	each	<b>55-1320</b> 32317-86A, 32362-04	<b>\$12.95</b>
	Champion® #RA8HC	2 pack	<b>55-1322</b> 32317-86A, 32362-04	<b>\$19.95</b>
Evolution®, Vintage Models (SH-Series, Iron XL, KN-Series, P-Series) & S&S 3 3/8" & 4" bore engines	14mm Long Reach	each	<b>55-1321</b> 32342-04, 32311-83	<b>\$11.95</b>
	Champion® #RN12YC	2 pack	<b>55-1323</b> 32342-04, 32311-83	<b>\$15.95</b>



55-1322

MB

2007-'17  
TWIN CAM  
96°/103°/110°

1999-'06  
TWIN CAM  
88°

SPORTSTER, STREET,  
NIGHTSTER, STREET ROD  
& BUJEL

TOOLS &  
SHOP  
SUPPLIES

WARRANTY &  
COMPANY  
POLICY

APPENDIX



MAIN JETS - SERIES #72 INDIVIDUAL SIZE SELECTION							
Size	QTY	Part #	MSRP	Size	QTY	Part #	MSRP
.040	each	11-4040	\$14.95	.080	each	11-4080	\$14.95
	5 pack	11-7220	\$50.95		5 pack	11-7240	\$50.95
.042	each	11-4042	\$14.95	.082	each	11-4082	\$14.95
	5 pack	11-7221	\$50.95		5 pack	11-7241	\$50.95
.044	each	11-4044	\$14.95	.084	each	11-4084	\$14.95
	5 pack	11-7222	\$50.95		5 pack	11-7242	\$50.95
.046	each	11-4046	\$13.95	.086	each	11-4086	\$14.95
	5 pack	11-7223	\$50.95		5 pack	11-7243	\$50.95
.048	each	11-4048	\$14.95	.088	each	11-4088	\$14.95
	5 pack	11-7224	\$50.95		5 pack	11-7244	\$50.95
.050	each	11-4050	\$14.95	.090	each	11-4090	\$13.95
	5 pack	11-7225	\$50.95		5 pack	11-7245	\$49.95
.052	each	11-4052	\$14.95	.092	each	11-4092	\$15.95
	5 pack	11-7226	\$50.95		5 pack	11-7246	\$50.95
.054	each	11-4054	\$14.95	.094	each	11-4094	\$15.95
	5 pack	11-7227	\$50.95		5 pack	11-7247	\$50.95
.056	each	11-4056	\$14.95	.096	each	11-4096	\$14.95
	5 pack	11-7228	\$50.95		5 pack	11-7248	\$50.95
.058	each	11-4058	\$14.95	.098	each	11-4098	\$14.95
	5 pack	11-7229	\$50.95		5 pack	11-7249	\$50.95
.060	each	11-4060	\$14.95	.100	each	11-4100	\$14.95
	5 pack	11-7230	\$50.95		5 pack	11-7250	\$50.95
.062	each	11-4062	\$14.95	.102	each	11-4102	\$14.95
	5 pack	11-7231	\$50.95		5 pack	11-7251	\$50.95
.064	each	11-4064	\$14.95	.104	each	11-4104	\$14.95
	5 pack	11-7232	\$50.95		5 pack	11-7252	\$50.95
.066	each	11-4066	\$14.95	.106	each	11-4106	\$14.95
	5 pack	11-7233	\$50.95				
.068	each	11-4068	\$14.95	.110	each	11-4110	\$15.95
	5 pack	11-7234	\$50.95		5 pack	11-7255	\$50.95
.070	each	11-4070	\$14.95	.115	each	11-4115	\$14.95
	5 pack	11-7235	\$50.95		5 pack	11-7256	\$50.95
.072	each	11-4072	\$14.95	.120	each	11-4120	\$14.95
	5 pack	11-7236	\$50.95		5 pack	11-7257	\$50.95
.074	each	11-4074	\$14.95	WARNING: Cancer and Reproductive Harm – www.P65Warnings.ca.gov			
	5 pack	11-7237	\$50.95				
.076	each	11-4076	\$14.95				
	5 pack	11-7238	\$50.95				
.078	each	11-4078	\$14.95				
	5 pack	11-7239	\$50.95				

MAIN JET AIR BLEED KIT (ONE JET EACH SIZE)		
Sizes	Part #	MSRP
.042" - .060"	106-3517	\$90.95
.084" - .120"	106-3518	\$73.95
WARNING: Cancer and Reproductive Harm – www.P65Warnings.ca.gov		

**S&S® CARBURETOR REBUILD KITS**

To insure that you continue to get the utmost in performance from your S&S carburetor, we have put together a series of rebuild kits that are designed to provide the proper parts to return a worn carburetor to top shape. We have assembled different types of kits to cover the different degrees of rebuild necessary.

**MASTER REBUILD KITS**

Master rebuild kits contain a body rebuild kit, accelerator pump rebuild kit (Super E and G only), all new fasteners, springs, idle mixture screw, seat, and needle assembly. Everything needed to completely rebuild one carburetor.

MASTER REBUILD KIT		
Description	Part #	MSRP
Super E	11-2923	\$112.95
Super G	11-2924	\$112.95
WARNING: Cancer and Reproductive Harm – www.P65Warnings.ca.gov		

**BODY REBUILD KITS**

Body rebuild kits for Super E and G carbs also contain throttle shaft nuts, nylon washers, accelerator pump o-ring, and accelerator pump boot. Body rebuild kits for Super E and G carbs do not contain throttle shaft bushings since these carbs have stainless steel throttle shaft bushings already installed.

BODY REBUILD KIT		
Description	Part #	MSRP
Super E	11-2906	\$61.95
Super G	11-2907	\$61.95
WARNING: Cancer and Reproductive Harm – www.P65Warnings.ca.gov		

**BASIC REBUILD KIT**

A gasket and seal kit for low mileage Super E & G carbs. Perfect to reassemble carbs taken apart for inspection and cleaning.

BASIC REBUILD KIT		
Description	Part #	MSRP
Super E & G	110-0067	\$50.95
WARNING: Cancer and Reproductive Harm – www.P65Warnings.ca.gov		

**ACCELERATOR PUMP REBUILD KITS**

Accelerator pump rebuild kits contain diaphragm, diaphragm spring, check balls, check ball spring, pump pushrod, and required hardware and o-rings.

ACCELERATOR PUMP REBUILD KIT		
Description	Part #	MSRP
Super E & G	11-2918	\$28.95

**FUEL LINE KIT**

Fuel Line Kit for Super E and G Carburetors p/n 190-0005±

FUEL LINE KIT		
Description	Part #	MSRP
Fuel Line, Kit, Carb, Super E/G, Swivel Retrofit	190-0005	\$50.95
Fuel Line, .311" x .563" x 17.5", SAE 30R14 <i>(replacement fuel line only)</i>	190-0001	\$13.95
WARNING: Cancer and Reproductive Harm – www.P65Warnings.ca.gov		



51-9000



106-3023



51-9002



500-0143

**TOUCH UP PAINT**

Description	Part #	MSRP
-------------	--------	------

S&S touch up paint is included with each powdercoated S&S engine, but it's handy to have a spare! Keep one in the shop and one in your saddle bag. Sold in ½ oz. bottles with applicator cap.

Guardian Black ½ oz	<b>500-1462</b>	<b>\$14.95</b>
Wrinkle Black ½ oz, matte finish (used after April 2009)*	<b>510-0053</b>	<b>\$14.95</b>
Silver	<b>106-3023</b>	<b>\$17.95</b>
Stone Gray ½ oz	<b>510-0350</b>	<b>\$17.95</b>

\*NOTE: Wrinkle Black (51-9001) has a slightly glossy finish. Wrinkle Black (510-0053) has a matte finish with no gloss.

**Lubricant and sealants**

Use what the pros use! S&S assembles a lot of engines and customers often ask what sealants and lubricants we use. We recommend and use the following:

**Torco® Engine Assembly Lube**

Protect engine components during assembly and initial start up!

4 oz. Bottle	<b>51-9000</b>	<b>\$21.95</b>
1 oz. Tube	<b>51-9002</b>	<b>\$15.95</b>

**ThreeBond® Liquid Gasket 1194**

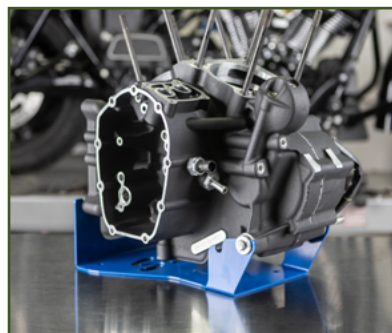
Great for sealing crankcases! 3.5 oz. (100g) Tube	<b>500-0143</b>	<b>\$41.95</b>
--	-----------------	----------------

**Engine Stands**

- An economical way to hold an engine on the work bench, for shipping, or for display
- Constructed of heavy gauge stamped steel with "S&S" laser cut in both ends
- Durable blue powder coat finish gives the stands a professional appearance that is suitable for display and protects them from corrosion and minor abrasions

**EXCLUSIVELY FOR M8:**

- **DESIGNED TO FIT BOTH TOURING AND SOFTAIL® MODELS, IN ONE!**
- **UNIQUE "DROP-IN" DESIGN ALLOWS FOR SAFE AND EASY MOUNTING**



**S&S® ENGINE STANDS**

Application	Part #	MSRP
M8 touring & 2018–2020 Softail® models	<b>530-0068</b>	<b>\$122.95</b>
2000–'17 balanced big twin	<b>53-0145</b>	<b>\$122.95</b>
1999–'17 unbalanced big twin	<b>53-0143</b>	<b>\$123.95</b>
1936–'99 big twin	<b>53-0141</b>	<b>\$123.95</b>
S&S X-Wedge®	<b>53-0147</b>	<b>\$110.95</b>

**Dealer Service Kit for Street Legal Exhaust**



**DEALER SERVICE KIT FOR STREET LEGAL EXHAUST**

Description	Part #	MSRP
-------------	--------	------

(Includes S&S proprietary tamper-proof bit (**available only to dealers**) and spare fasteners. Provides everything necessary to perform any required service or end cap replacement.)

<b>510-0684</b>	<b>\$50.95</b>
-----------------	----------------

M8

2007-'17  
TWIN CAM  
96"/103"/110"

1999-'06  
TWIN CAM  
88"

SPORTSTER, STREET,  
NIGHTSTER, STREET ROD  
& BUELL

TOOLS &  
SHOP  
SUPPLIES

WARRANTY &  
COMPANY  
POLICY

APPENDIX



TOOLS &  
SHOP  
SUPPLIES

# WARRANTY & COMPANY POLICY

Limited Warranty ..... page 354

MAP Policy ..... page 351

Ordering and Returns page 352

S&S Video

Usage Policy ..... page 356

Warranty Service ..... page 353





## S&S® CYCLE, INC.

14025 CTY HWY G, VIOLA, WI 54664

608-627-1497

SSCUST@SSCYCLE.COM

SSCYCLE.COM

PUT YOUR CUSTOMER NUMBER HERE:

### DISCLAIMER

The names Harley®, Harley-Davidson®, H-D® and all trademarks owned by Harley-Davidson and its affiliated companies, and all H-D and Buell® part numbers and model designations are used for reference only. S&S Cycle is in no way associated with or authorized by Harley-Davidson Motor Co. to manufacture and sell any of the engine parts described in this catalog.

The installation of any S&S part may void or otherwise adversely affect your factory warranty. In addition, such installation and use may violate certain federal, state and local laws, rules and ordinances as well as other laws when used on motor vehicles operated on public highways, especially in states where pollution laws may apply.

Always check federal, state, and local laws before modifying your motorcycle.

It is the sole and exclusive responsibility of the user to determine the suitability of the product for his or her use, and the user shall assume all legal, personal injury risk, and liability and all other obligations, duties and risks associated therewith. S&S parts are intended for the very experienced off-road rider only.

### SALES

S&S parts are obtainable from many distributors and dealerships throughout the world. Please reference our Dealer Locator on the S&S website for an authorized Dealer near you.

In order to receive dealer prices, new customers must complete a Dealer Application through the S&S Customer Support Department.

In order to receive distributor prices, new customers must provide, in addition to all of the dealer requirements listed above, a copy of your dealer catalog and dealer price list for consideration. It is left to S&S' sole discretion as to whom it allows to distribute S&S products.

**NOTE:** Distributors are authorized to sell to dealers only.  
Retail sales are prohibited.

### TERMS

S&S accepts Visa, MasterCard, and American Express

**New Dealers and Distributors:** For a period of six months following the acceptance of a completed Customer Application form, component orders for all new S&S customers shipped in the continental United States and abroad will be sent prepaid.

**Existing Dealers and Distributors:** After six months as an S&S customer, dealers and distributors with a satisfactory payment and performance history may request an open account status from their Customer Support representative.

**International:** Any orders from outside the United States must be prepaid in United States funds. Freight charges may be prepaid by the customer or order may be shipped freight collect.

Telephone orders will be handled according to customer terms.

**Individuals:** S&S recommends that parts are purchased through a dealer; However, S&S will ship parts order to a retail customer if desired.

**Service Charges:** S&S reserves the right to levy additional charges under the following circumstances:

**Insufficient Funds:** Any customer that has a check returned to S&S for lack of funds will be charged \$35.00 and will be immediately placed on pre-paid status.

**Past Due:** Any account that is 30 days past due will be assessed a charge of 1.5% on the balance due for each month the account is in arrears. The account will be put on hold until all past due amount is paid. Customer will then be put on prepaid and can reapply for terms.

**Duplicate Manufacturer's Statement of Origin (MSO):** Any customer requesting a duplicate MSO will be charged \$60.00 for each separate MSO required. Please be aware that a sworn affidavit must be completed and submitted to S&S before the duplicate MSO can be prepared.



# MINIMUM ADVERTISED PRICE (MAP) POLICY

S&S Cycle will issue printed price lists indicating Manufacturer's Suggested Retail Pricing (MSRP) and maintain a current listing with effective date of MSRP on its internet website which can be amended at any time by S&S Cycle at its sole discretion. Any priced advertisement in any media such as but not limited to internet or similar electronic media, radio, television, flyers, posters, catalogs, mail order catalogs, magazines, e-mail newsletters, e-mail solicitations, coupons, mailers, inserts, newspapers, and public signage must be not less than 10% below the current MSRP as indicated on the printed price list or S&S website. Any pricing advertised that is greater than 10% below that shown on the current printed price list or MSRP list on the S&S Cycle website will be a violation of this MAP policy and subject to enforcement procedures as identified later in this document.

Sales of any S&S products listed on the current price list through third party retailing (such as eBay and Amazon) is allowed providing the listed price is less than 10% below MSRP.

This MAP Policy applies only to advertised prices and does not apply to the actual price that S&S Cycle products are sold or offered for sale to an individual consumer within Reseller's location or over the telephone. Resellers are free to sell S&S Cycle products at any price they choose under these circumstances.

The inclusion in advertising of any free or discounted products with a product covered by this MAP Policy would be contrary to this MAP Policy if it has the effect of discounting the advertised price of the included S&S Cycle product below current MSRP as indicated on the S&S Cycle internet website or printed price list.

This MAP Policy does not establish maximum advertised prices. Resellers may offer S&S Cycle products at any price in excess of current MSRP.

Pricing listed on an internet site is considered an "advertised price" and must adhere to this MAP Policy. Once the pricing is associated with an intent to purchase (adding to shopping cart or order), the price becomes the selling price and is not bound by this MAP Policy. Statements such as "add to basket to see price," "we will match any price," "call for price" or similar phrases are acceptable as long as the price advertised or listed for the products is less than 10% below current MSRP. In addition, discounts applied at checkout to the customer's entire order based on customers purchasing history with the Reseller, such as discounts for "frequent shoppers," do not violate this MAP Policy.

S&S Cycle reserves the right to offer promotions on certain products. In such an event, we reserve the right to modify or suspend this MAP Policy in whole or in part by notifying all Resellers of the nature and duration of the change. S&S Cycle further reserves the right to adjust the MSRP with respect to all or certain products at its sole discretion. Such changes shall apply equally to all resellers.

## ENFORCEMENT PROCEDURES:

S&S has included its MAP Policy Enforcement Procedures in the Dealer Agreement to ensure all dealers signing the "acknowledgement" page are aware of the severity in which S&S will deal with violators of this policy. Any determinations by S&S under these enforcement procedures shall be binding upon the violator.

## FIRST OFFENSE:

Dealer will receive notification of the nature of the violation and will be given thirty (30) calendar days to remove the offending print advertisements from publication and distribution and three (3) business days to remove any offending electronic advertisements from web pages, internet sites, or other electronic media.

## SECOND OFFENSE:

Dealer will receive a notification and the account will be placed on a non-ship basis for thirty (30) days from the date of notice.

## THIRD OFFENSE:

Dealer will receive a notification and the account will be placed on a non-ship basis for sixty (60) days from the date of notice.

## FOURTH OFFENSE:

Dealer will receive a notification and the account will be placed on a non-ship basis indefinitely.

The administration of this MAP Policy and any determinations made under it are solely within S&S Cycle's discretion and authority. All questions about this MAP Policy should be in writing and directed via U.S. Mail to the Vice President of Marketing, S&S Cycle Inc, 14025 County Highway G, Viola WI 54664. This policy is subject to change at S&S' sole discretion.

M 8

2007-'17  
TWIN CAM  
96"/103"/110"1999-'06  
TWIN CAM  
88"SPORTSTER, STREET,  
NIGHTSTER, STREET ROD  
& BUELLTOOLS &  
SHOP  
SUPPLIESWARRANTY &  
COMPANY  
POLICY

APPENDIX



# ORDERING AND RETURN POLICY

## ORDERING

Orders may be placed online or by telephone or email. Special forms for written orders are not necessary. Special order parts will require payment in full by credit card or wire transfer before the order is placed, and in most cases a special order form is also required. S&S® requires specific information when ordering parts. Refer to the appropriate section of the catalog that contains the parts you want to order for the required information.

## HOW TO ORDER

Written orders should be mailed to:

S&S Cycle, Inc.  
Customer Support Representative  
14025 Cty. Hwy. G  
Viola, WI 54664

Fax orders should be sent to: 608-627-1488

Email orders should be sent to your Customer Support Representative.

When placing an order by letter, fax, or email, please include the following information:

1. First and Last Name
2. Customer Number
3. Company Name
4. Street Address, City, State, and Zip Code  
(UPS will not deliver to a post office box.)
5. Phone Number where you can be reached between 8:00A.M. and 5:00P.M. Central Standard Time.
6. Shipping Preference. Customer must specify the method of shipment e.g. UPS one-day air, UPS two-day air, UPS ground, Federal Express, Truck, or U.S. Mail. *NOTE: S&S ships most domestic and international orders via UPS*
7. Year and model of motorcycle for each kit ordered
8. Information that is helpful in establishing the correct S&S part has been ordered. Examples of information to include are: engine displacement, bore and stroke, cylinder height, and existing modifications to the motor
9. S&S part number and quantities required. *NOTE: The customer is responsible for determining & ordering the appropriate part number*
10. Deposit applies only to individual customers or orders for special parts

## HOW TO ORDER BY PHONE

When placing an order by phone please provide the information below:

1. Customer Number
2. Name of person placing the order
3. Company Name
4. Street Address, City, State, and Zip Code. For dealers and distributors, S&S Customer Support Representative will verify current address against our computer listing each time an order is placed
5. Shipping Preference. Customer will be asked to determine the method of shipment e.g. UPS one-day air, UPS two-day air, UPS ground, Federal Express, Truck, or U.S. Mail

*NOTE: S&S ships most domestic and international orders via UPS*

6. S&S part numbers and quantities required. *NOTE: The customer is responsible for determining and ordering the appropriate part number*
7. Information that is helpful in establishing the correct S&S part has been ordered. Examples of information to have available include: engine displacement, bore and stroke, cylinder height, and existing motor modifications

## BACKORDERS

Through continual expansion of equipment and facilities, S&S is making an ongoing effort to improve parts availability, however, backorders cannot always be avoided.

Items not in stock at the time the initial order is shipped will be backordered.

During the backorder period if the customer decides the parts are no longer needed, it is the customer's responsibility to notify S&S that the order should be

cancelled.

Shipping charges and restocking fees will be applied to any backorders that are refused in the same way they are applied to other orders that are refused.

## REFUSED SHIPMENTS

Orders that are refused or returned to S&S® for reasons such as insufficient funds or having no one available when the shipment is delivered are subject to a 20% restocking fee plus any shipping. The customer will then be put on Pre-Pay status and remain there for a minimum of 6 months.

## SPECIAL ORDERS

All special order parts must be paid for in-full when the order is placed. In addition, the customer must complete special order sheet and sign a copy of the sales order to verify that the specifications are correct. The order may not be cancelled. Special order parts are not returnable. \*NOTE: Distributors of S&S Cycle, Inc. are not authorized to order Special Order items as this is a Race and Dealer only program.

## RETURNS

Shipments must be inspected by the customer immediately upon receipt to insure they are complete and undamaged. If damaged parts are discovered, an immediate claim must be made with the carrier. S&S must be notified within five (5) working days of the receipt of a shipment that has been determined to have shortages or contain incorrect or defective parts. It is advisable to phone S&S as soon as possible as issues can frequently be resolved more quickly over the phone.

The following requirements must be satisfied to receive credit, a refund, or to exchange merchandise.

1. Call S&S to obtain a Return Authorization (RA) number before the parts are returned. The RA number must be visible and clearly written on the container.
2. Return the parts to S&S within 10 days.
3. Package the parts to prevent any damage occurring during shipping. If parts being returned to S&S are damaged in transit because of inadequate packaging, they will be returned to the customer at the customer's expense. Repackaging parts using S&S containers does not always ensure the items are packaged properly. S&S original containers may be reused but good judgment must be applied to determine if additional protection is required.
4. All returns must be sent to S&S insured and prepaid. No CODs will be accepted.
5. All returns must be accompanied by a copy of the original invoice of purchase and a note explaining in sufficient detail the reason for the return. The Return Authorization number must be visible and clearly written on the container and the explanatory note.
6. Under no circumstances are damaged, altered, rusty, used or otherwise unsaleable parts eligible to be returned for credit. S&S will not issue an RA number for anything altered, used, unpackaged or deemed obsolete by S&S.

Upon acceptance of the returned parts by S&S under the requirements described above, the customer will be charged a minimum restocking fee equal to 20% of the total value of the parts.

## ALL RETURNS MUST BE SHIPPED TO:

S&S® Cycle Inc.  
14025 Cty Hwy G  
Viola, Wisconsin 54664

## SHIPPING

Domestic: S&S will ship most orders via UPS ground and will do so unless the customer requests another method. S&S will not ship by bus line but will ship via Federal Express or Truck at the customer's request.

Pre-Paid Shipping: Pre-payment of shipping charges by dealer allows them to receive S&S shipping rates, resulting in significant savings.

International: Due to high shipping and customs costs, it is recommended that international customers advise S&S of the carrier to be used, especially for a large order.

Orders that must be received quickly can be shipped by UPS-Waybill (three to four-day service) or UPS-Expedite (five to six-day service).





# OBTAINING WARRANTY SERVICE

## WHAT ARE THE PROCEDURES TO OBTAIN SERVICE UNDER THIS WARRANTY?

To obtain service under this warranty, the original Consumer Purchaser should immediately contact the dealer where the Engine was purchased. The dealer will then contact S&S® Cycle, Incorporated (the "Company") for a determination as to whether the defect in the Engine or part is covered by this warranty.

**THE DEALER OR SERVICE PROVIDER MUST RECEIVE AUTHORIZATION FROM THE COMPANY BEFORE PROVIDING SERVICE UNDER THIS WARRANTY.**

In the event that the Company determines the Engine or part must be returned to the Company for evaluation or service, the Company will provide the dealer with a Return Authorization Number to put on the shipping container for identification.

The original Consumer Purchaser or dealer must clean and properly package the Engine or part so as not to cause further damage and return the Engine or part, shipping costs prepaid, to the Company. The Return Authorization Number must be clearly visible on the outside of the shipping container. If the Engine or part must be cleaned prior to warranty inspection the cost of cleaning will be charged to the original Consumer Purchaser or dealer.

The original Consumer Purchaser or dealer must also send to the Company a detailed explanation of the relevant facts concerning the nature of the problem, the specific use of the Engine, and the circumstances giving rise to the defect or problem.

If it is not practicable to contact the dealer for warranty service, the original Consumer Purchaser may contact the Company at the following address, telephone number, fax number or e-mail address:

S&S® Cycle, Incorporated  
 Attention: Customer Support  
 14025 Cty Hwy G  
 Viola, Wisconsin 54664  
 Phone: 608-627-1497 Email: sstech@sscycycle.com

## HOW DO STATE LAWS RELATE TO THIS WARRANTY?

This warranty gives you specific legal rights. You may also have other rights that vary from state to state.

## ARE THERE OTHER WARRANTIES?

THE WARRANTIES STATED IN THIS WARRANTY REPLACE ALL OTHER WARRANTIES, EXPRESS OR IMPLIED, INCLUDING WITHOUT LIMITATION, THOSE OF MERCHANTABILITY AND FITNESS FOR A PARTICULAR PURPOSE, AND ANY OTHER OBLIGATIONS OR LIABILITIES ON THE PART OF THE COMPANY WHETHER IN CONTRACT, WARRANTY, NEGLIGENCE OR OTHERWISE, TO THE EXTENT NOT PROHIBITED BY LAW.

Some states do not allow limitations on how long an implied warranty lasts, so the above limitation may not apply to you.

## WHAT MUST THE ORIGINAL CONSUMER PURCHASER DO TO QUALIFY FOR WARRANTY COVERAGE?

Within thirty (30) days after the date of purchase of the Engine, the selling Dealer or Consumer Purchaser must return the completed Warranty Registration Form (included with the engine shipment), along with a copy of the invoice, evidencing such purchase to the Company. Upon receipt of the Owner's Warranty Card Registration Form by the Company, the MSO will be sent to the selling Dealer by the Company. The selling Dealer is responsible for forwarding the original MSO to the Consumer Purchaser. The Owner's Warranty Card will be sent by The Company to the Consumer Purchaser based on the information completed by the Selling Dealer within the returned Owner's Warranty Card Registration Form. The Owner's Warranty Card Registration Form should be returned to the Company at the following address by the selling Dealer:

S&S® Cycle, Incorporated  
 Attention: Customer Support  
 14025 Cty Hwy G  
 Viola, Wisconsin 54664  
 Phone: 608-627-1497 Email: sstech@sscycycle.com

**THIS WARRANTY IS VOIDABLE AT THE COMPANY'S OPTION IF THE ORIGINAL SELLING DEALER DOES NOT RETURN TO THE COMPANY THE WARRANTY REGISTRATION FORM AND A COPY OF THE INVOICE WITHIN THIRTY (30) DAYS FROM THE DATE OF PURCHASE OF THE ENGINE.**

M 8

2007-'17  
TWIN CAM  
96"/103"/110"1999-'06  
TWIN CAM  
88"SPORTSTER, STREET,  
NIGHTSTER, STREET ROD  
& BUELLTOOLS &  
SHOP  
SUPPLIESWARRANTY &  
COMPANY  
POLICY

APPENDIX



# LIMITED WARRANTY FOR COMPLETE FACTORY-ASSEMBLED ENGINES

## LIMITED WARRANTY

S&S Cycle, Inc. (the "Company") warrants to the original purchaser that each new product manufactured and assembled by the Company will be free, under normal use and maintenance, from significant manufacturing defects in materials and workmanship for two (2) years (KN and T143 Engines one (1) year limited warranty. SB100 engines are one (1) year parts only), subject to the following exceptions, exclusions, obligations, and limitations. All warranty periods shall begin from the date of purchase by the original retail customer or one year from date of manufacture, whichever comes first.

### Exceptions/Exclusions

The foregoing limited warranty is not assignable or transferrable and shall not apply: (1) to any engine, part, or component that is used for other than the intended commercial purpose (including, without limitation, any racing or similar competitive activities or where competition applications, such as a turbocharger, supercharger, or nitrous oxide is used with the engine); (2) where the engine, part, or component has been subject to misuse, negligent use or maintenance, improper storage or shipping, old or contaminated fuel left within the fuel systems, operation without adequate cooling or lubricants, or a failure to operate or maintain in accordance with the specifications published by the Company; (3) where the engine, part, or component has been involved in an accident, or has been altered in any way which, in the sole judgment of the Company, adversely affects performance, safety, structural integrity, or reliability; (4) to any engine, part, or component manufactured or furnished by a third party; (5) where any engine, part, or component is (i) assembled by the Company in accordance with the purchaser's specifications or (ii) used in conjunction with or otherwise attached to a part or component manufactured by a third party and with respect to which the Company has not pre-tested and approved the structural integrity, application, and use of such fully-assembled product; (6) to defects or damage caused by the user failing to cease operation of the engine, part, or component as soon as the defect is identified or suspected, or where the engine, part, or component has been used in vehicles for demonstration or development purposes; or (7) to normal wear and tear or to parts or components consumed/expended in the normal operation of the engine (including, without limitation, oil, fuel, spark plugs, lubricants, oil filters, air filters, or fuel filters). This limited warranty shall not apply to any defects in the engine, part, or components powder coat or chrome finish, when that option is selected, if the defects arise from or are caused by negligence of parties other than the Company, an accident, ordinary wear and tear, assembly or disassembly, power washing, natural occurrences (such as stone chips or salt and other substances used on streets and highways), bead blasting, improper maintenance including the use of any harsh cleaning agent, chemical solvent, or solvent. This limited warranty does not cover inconvenience or loss of use of the engine, part, or component, routine maintenance services or adjustments, or the cost of labor to remove, install, or service the engine, part, or component or any part contained therein. This limited warranty covers engine, part, or component and/or workmanship issues only, and not the equipment to which the engine, part, or component may be mounted or attached.

## REMEDIES

As to valid warranty claims against the Company, the original purchaser's sole and exclusive remedy, and the Company's sole and exclusive obligation under this limited warranty, shall be, at the Company's option, replacement or repair of such defective engine, part, or component. The original purchaser shall notify the Company within ten (10) days after discovery of the alleged defect specifying in detail the nature of the defect. Failure to provide written notice within the ten (10) day period shall constitute a waiver of such warranty claim. Where warranty rights are claimed, all goods claimed to be defective shall be delivered to the Company with transportation charges prepaid, and the original purchaser's copy of the original invoice must be provided to the Company as evidence of the date of purchase.

## DISCLAIMER/LIMITATION OF LIABILITY

EXCEPT AS SPECIFICALLY SET FORTH ABOVE, NO EXPRESS WARRANTY IS GIVEN BY THE COMPANY WITH RESPECT TO ANY ENGINES, PARTS, OR COMPONENTS. ANY WARRANTY IMPLIED BY LAW, INCLUDING ANY WARRANTY OF MERCHANTABILITY OR FITNESS FOR A PARTICULAR PURPOSE, IS EXPRESSLY LIMITED TO THE DURATION OF THE LIMITED WARRANTY SET FORTH ABOVE. THE COMPANY MAKES NO OTHER EXPRESS WARRANTY. THE COMPANY SHALL NOT BE LIABLE FOR ANY SPECIAL, INDIRECT, INCIDENTAL, OR CONSEQUENTIAL DAMAGES OF ANY KIND OR NATURE.

Some states and countries do not allow limitations on how long an implied warranty lasts, or the exclusion or limitation of incidental or consequential damages, so the above limitation or exclusion may not apply to you, and you may have other rights which vary from state to state.



# LIMITED WARRANTY STANDARD PARTS

## WHO IS COVERED BY THIS WARRANTY?

This warranty covers only the original Consumer Purchaser of these parts and is not transferable.

## WHAT DOES THIS WARRANTY COVER?

S&S® Cycle, Incorporated (the "Company") warrants these parts to be free from defects in material and workmanship. If the parts become defective during the warranty coverage period, the Company will, at its option, repair or replace any, or all, defective parts. Repair or replacement of defective parts is the sole and exclusive remedy.

## HOW LONG IS THE WARRANTY COVERAGE?

With the exception of electrical and electronic components, the warranty coverage remains in force for a period of twelve (12) months from the date that the original Consumer Purchaser buys the parts. Electrical and electronic components are covered by a warranty duration of six (6) months. However, warranty coverage will automatically terminate if the original Purchaser sells or otherwise transfers all or any portion of the purchased parts.

## WHAT IS NOT COVERED BY THIS WARRANTY?

The Company shall not pay or be responsible for the cost of shipping the defective parts to the Company for service under this warranty, nor will the Company pay for the cost of labor to remove and/or replace the defective parts.

Moreover, the Company shall have no obligation under this warranty in the event that the parts become defective in whole or in part as a result of improper assembly, installation, break-in, maintenance, or use, or any other misuse or mistreatment of the parts, including, without limitation, operation of the parts with fuels, oils or lubricants not conforming to specifications published by the Company or continued operation of the parts after a defect or malfunction occurs or is identified or suspected.

The Company shall have no obligation under this warranty for defects in parts with a powdercoat finish, when that option is selected, if the defects are caused by, but not limited to, negligence of parties other than the Company; an accident; ordinary wear and tear; assembly or disassembly; power washing; natural occurrences like stone chips; bead blasting; improper maintenance including the use of any harsh cleaning agent, chemical or solvent; and salt or other substances used on streets and highways for maintenance and safety.

The Company provides touch-up paint with powdercoated parts. It is the customer's responsibility to repair minor finish damage to prevent or inhibit further deterioration.

It is the responsibility of the original Consumer Purchaser to cease operation as soon as a defect or malfunction is identified or suspected. The failure to cease operation once a defect or malfunction exists can cause substantial damage to the Company's parts that could otherwise be avoided.

In addition, the Company shall have no obligation under this warranty for parts defects caused by alteration including, but not limited to, polishing; powdercoating; painting; removing or reconfiguring any components; modification, repair, or unauthorized service.

The Company shall have no obligation under this warranty if the parts are used in racing or similar competitive activities. The Company shall have no obligation under this warranty when a competition application, including but not limited to a turbocharger, supercharger or nitrous oxide, is used with the Engine. Further, the Company shall have no obligation under this warranty for any parts that are included in a Competition Package Option offered by the Company since the Package is for use in racing and similar competitive activities.

**THE COMPANY SHALL NOT BE LIABLE FOR AND DISCLAIMS ALL CONSEQUENTIAL, INCIDENTAL, PUNITIVE OR SPECIAL DAMAGES ARISING OUT OF THE USE OF, OR INABILITY TO USE, THESE PARTS.**

Some states do not allow the exclusion or limitation of incidental or consequential damages, so the above exclusion may not apply to you.

M8

2007-'17  
TWIN CAM  
96"/103"/110"

1999-'06  
TWIN CAM  
88"

SPORTSTER, STREET,  
NIGHTSTER, STREET ROD  
& BUELL

TOOLS &  
SHOP  
SUPPLIES

WARRANTY &  
COMPANY  
POLICY

APPENDIX

# VIDEO USAGE POLICY

## OVERVIEW

S&S owns all copyright and other intellectual property rights in the videos it produces or distributes. However, S&S customers are welcome to use and share S&S videos within these guidelines provided.

## PERMISSIBLE USES

- Videos may only be used for non-commercial purposes or to promote the use or sale of S&S products.
- Videos may be embedded in external websites using video hosting service supplied embed (iframe) code.
- Videos can be added to a customer video hosting service account via playlists while still maintaining original exclusivity of uploaded videos by S&S.
- Reposting or uploading of S&S content is only permissible with written consent from S&S Cycle.
  - » If consent is granted to repost/re-upload S&S content, customers may add annotations using functionality provided by video hosting services. This may include the customer's contact and ordering information which would be subject to approval by S&S to ensure branding is intact, prior to making it public. The video itself must remain unaltered.
  - » S&S requires that at the beginning of each month, a report of view statistics per video be supplied to S&S.
- Links (url) to S&S YouTube channel or individual YouTube videos may be provided and shared by the customer via email, blog, website, social networks, or printed material.

## NON PERMISSIBLE USES

- Customers may not upload or repost any copyrighted materials owned by S&S to another video hosting service account or any website without written consent from S&S.
- Customers may not alter or modify any copyrighted materials owned by S&S.
- Videos may not be used in any way that is likely to disparage, dilute, tarnish, or otherwise harm the S&S brand.

## TERMINATION OF LICENSE

Through this Video Usage Policy, S&S is granting its customers a limited, revocable license to display or link to its videos. S&S may, at any time, and at its sole discretion, terminate this license, at which point any copying or display of its videos will be prohibited, unless otherwise specified in writing.



# APPENDIX

Identification of flywheels ..... page 358

Ordering S&S Manifolds .....page 359

Year codes ..... page 360

Custom head bolt length.....page 361

## IDENTIFICATION OF FLYWHEELS

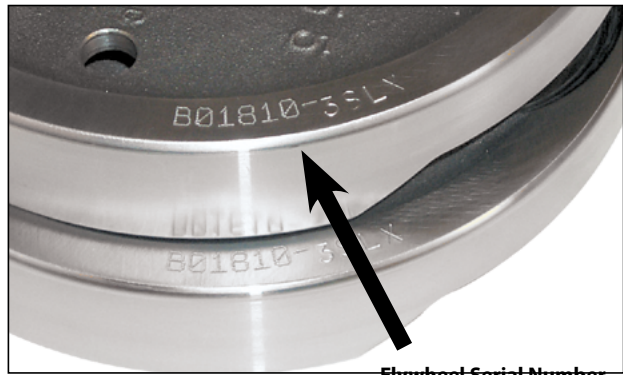
S&S® flywheels are manufactured in sets only. We do not sell individual right or left flywheels, nor do we recommend mixing flywheels. This is because the manufacturing techniques and/or tooling changes periodically.

To prevent mixing flywheels, as well as to identify each set, the right and left flywheels are stamped with identical serial numbers (see picture).

### Serial Number Identification Information

Serial Number ID, B01810-3SLX, deciphered as follows:

- (B01810)** Serial Number: From this number, S&S can determine when the flywheels were made and sold, to whom they were sold, and how the flywheels were originally balanced
- (3)** Stroke Code: Determines the stroke of the flywheels. In this case the stroke is 4¾"
- (SL)** Year Code: The year of the engine the flywheels were machined to fit and that the flywheels were machined to accept an S&S design sprocket shaft
- (X)** Diameter Code: Diameter of the flywheels. In this case the diameter is 8¼"



Flywheel Serial Number

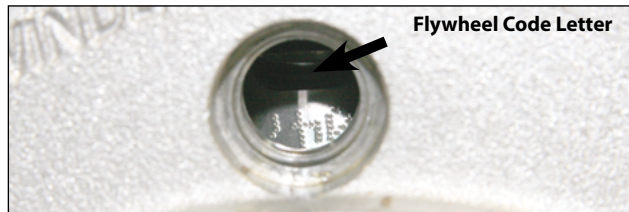
### S&S® FLYWHEEL IDENTIFICATION CODES FOR 1936-UP BIG TWIN

Stroke Code	Stroke	Year Code	Engine Year	Sprocket Shaft	Pinion Shaft	Crankpin Type	Diameter Code	Flywheel Diameter
1	4¾"	E	1936-'54	Stock	Stock	1941-'81	None	8½" (Stock)
2	4½"	L	1955-'71	Stock	Stock	1941-'81	A	8¾"
3	4¾"	AL	1972-Early '81	Stock	Stock	1941-'81	X	8¼"
4	5"	SE	1955-Early '81	S&S	Stock	1941-'81		
5	4¼" (Stock 80")	BL	Late 1981-'99	Stock	Stock	1981-'99		
6	4½"	SL	Late 1981-'99	S&S	Stock	1981-'99		
9	Special order	SF	1999-up	Press In	Press In	Press In		
12	5¼"	SG	S&S 4½" Bore Evolution	Press In	Press In	Press In		
13	3½" (Stock 61")	SM	1995-'99 EFI	Press In	S&S	1981-'99		
14	3¾" (Stock 74")	Y	74'/80" Indian®	Stock	Stock	Stock		
16	5½"							
17	4"							
18	3¾"							
19	4½"							
TA	3¾"	Titan						
TB	4450"	Special						

### FLYWHEEL CODES:

Codes that pertain to the most common regular production flywheels have been listed. Many other codes for racing flywheels and special orders also exist. If you have a question about a set of S&S flywheels with codes different than those shown, contact an S&S technical assistant to properly identify what you have.

Flywheel ID codes that end with an "A" or an "X" designate flywheels with a smaller than stock diameter. Stock big twin flywheels measure 8½", and stock flywheels for Harley-Davidson® Sportster® models are 7¾" in diameter. Typically, "A" means ½" smaller, and "X" means ¼" smaller. To verify the code, it is best to measure the flywheels.



Serial numbers can be seen through the timing hole to identify the stroke of an assembled engine. Keep in mind they will appear upside down in the hole.

### S&S® FLY WHEEL IDENTIFICATION CODES FOR HARLEY-DAVIDSON® SPORTSTER® & BUELL® MODELS

Stroke Code	Stroke	Year Code	Engine Year	Sprocket Shaft	Pinion Shaft	Crankpin Type	Rod Bearing Type	Diameter Code	Flywheel Diameter
1	4½"	None	1957-'76	Stock	Stock	Stock	Stock	None	7¾" (Stock)
2	4¾"	B	1957-Early '81	Stock	Stock	Stock	Stock	A	7¾"
3	4½"	SB	1957-Early '81	S&S	Stock	Stock	Stock	X	7¾"
4	4¾"	BD	1957-Early '81	Stock		Stock	Stock		
6	4½"	SBD	1977-Early '81	S&S		Stock	Stock		
7	4¾"	C*	Late 1981-'85	Stock	Stock	Stock	Stock		
8	5"	SC	Late 1981-'85	S&S	Stock	Stock	Stock		
9	Special Order	SCD	Late 1981-'85	S&S		Stock	Stock		
11	4½"	SCR	Late 1981-'85	S&S	Stock	Stock	1987-Up		
12	5¼"	SCDR	Late 1981-'85	S&S		Stock	1987-Up		
15	3¾"	D	Late 1986-'03	S&S	S&S	S&S	S&S		
16	5½"	DR	Late 1986-'03	S&S	S&S	S&S	1987-Up		
17	4"	PS	S&S Prostock	Press In	Press In	Press In			
18	3¾"	KRS	45" WR/KR	Stock	Stock	1957-'81 XL	1957-'81 XL		
19	4½"	YS	45" Indian	Stock	Stock	Stock	Stock		

\* Obsolete - S&S no longer makes this design

# ORDERING S&S® MANIFOLDS

We make one style of manifolds for both Harley-Davidson® Evolution® and Twin Cam 88® engines to fit stock cylinder heads and S&S cylinder heads—meaning manifolds supplied in S&S carburetor kits can be used with stock or S&S Super Stock® cylinder heads. The only thing that you have to keep in mind is that due to the slightly larger port diameter, these manifolds must be used with S&S manifold seals.

## Replacement & Special Order Intake Manifolds

**Stock, S&S Engine or S&S Kit:** To order a replacement manifold, refer to the manifold size chart for your particular engine type. Manifolds are listed for various sized carburetors and throttle bodies in the correct lengths for engines and kits offered by S&S.

**Custom Engine:** If the effective cylinder length is different from the standard offerings, a special manifold can be machined to your specifications. Order manifolds using the special order part numbers listed in the charts. Allow two weeks for delivery

## Specifying Manifold Length

When ordering a special manifold, specify the length of the manifold required for your application. There are several methods to specify the length of a manifold:

### Port-To-Port Distance: S&S Manifold Measuring Tools

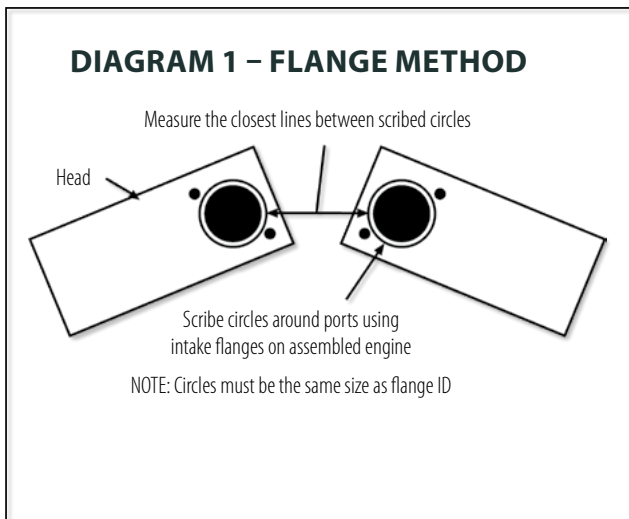
The most accurate method for specifying length for a special order manifold:

- Use the S&S Manifold Measuring Tools to measure port-to-center to port-to-center distance on an engine or an existing manifold.
- Specify whether the measurement was from an engine or from an existing manifold. (Manifold measurements will be approximately 0.30" shorter than engine measurements due to clearance normally built into the manifold).

### Port-To-Port Distance: Flange Method

Another accurate method of specifying manifold length for special order is to measure the port-to-port distance on an assembled or mock-up engine :

- Assemble or mock-up the engine & install the intake flanges on heads
- Scribe a circle around the port using the mounting flange as a template. The circle must be the same size as the ID of the flange. (It is recommended that front flange be installed upside down on the rear head and vice versa, to avoid inaccuracy in the circle diameter).
- Remove the flanges and measure the shortest distance between the scribed circles. See Diagram 1



## Effective Cylinder Length

Ordering a special manifold by effective cylinder length is commonly used since it does not require any special tools, however, this method will not account for machining inaccuracy in the cases or heads .

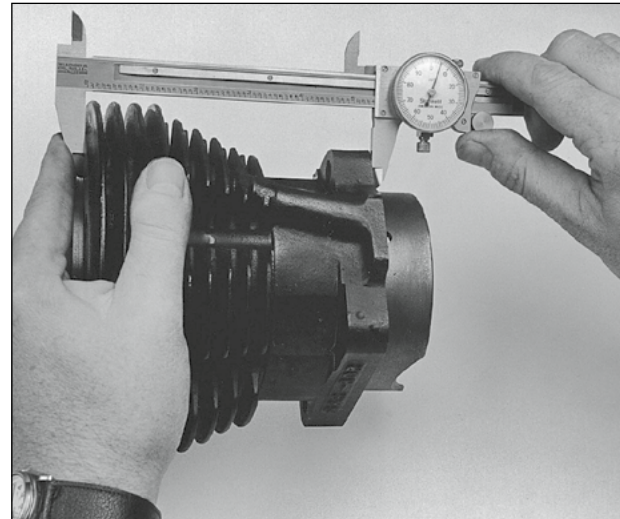
- Measure the cylinder length from gasket-surface to gasket-surface without the head and base gaskets in place. (A precision measuring instrument, such as a dial caliper, should be used to insure accurate results).
- If all components except the cylinder are stock, the actual cylinder length and the effective cylinder length are equal. However, if base plates will be used under the cylinders or if the crankcase deck height is taller than stock, the thickness of the base plates and any extra base gaskets, or the change in deck height must be added to the cylinder length to determine the effective cylinder length.
- If the cylinder heads have been decked to increase compression, the amount they have been shortened must be subtracted from the effective cylinder length.
- If the effective cylinder length is equal to or no more than 0.30" longer than the cylinder length listed for a specific manifold in a chart, that manifold will fit the engine.
- If the effective cylinder length is significantly different from any manifold that is available, the manifold must be special ordered. (When placing an order for a special manifold by effective cylinder length, you will be asked for actual dimensions of the cylinders and other components. S&S will calculate the effective cylinder length).

## Manifold Size Number

Specifying the length of a special order manifold by size number has proven not to be a reliable method. Many manifolds ordered by this method have proved to be too long because the customer took a size number from a part that had been shortened and no longer matched the original specifications. Manifolds ordered by size number are not returnable because of fitment problems.

## Manifolds For Panhead & Knucklehead Engines

Port-to-port measurement is easy since the ports are parallel to each other. On an assembled or mocked up engine, a measurement from head-to-head on opposite sides of each port should ideally be taken before the head bolts and base nuts are tightened. To insure that the ports are parallel, the heads and cylinders should be positioned so both measurements are equal. A precision measuring instrument, such as a dial caliper, should be used to ensure accurate results.





# YEAR CODES FOR OUR SERIALIZED PRODUCTS

S&S serial numbers begin with the following manufacturing year codes Year codes coincide with S&S Cycle's fiscal year, which starts on Oct 1st of the previous calendar year A product with serial number beginning with the letter "A" was manufactured in fiscal year 1978, between 10-01-77 and 09-31-78, or in the fiscal year 2000

<b>A</b> .....	<b>1978</b>	<b>S</b> .....	<b>1993</b>	<b>K</b> .....	<b>2009</b>
<b>B</b> .....	<b>1979</b>	<b>T</b> .....	<b>1994</b>	<b>L</b> .....	<b>2010</b>
<b>C</b> .....	<b>1980</b>	<b>U</b> .....	<b>1995</b>	<b>M</b> .....	<b>2011</b>
<b>D</b> .....	<b>1981</b>	<b>V</b> .....	<b>.NOT USED</b>	<b>N</b> .....	<b>2012</b>
<b>E</b> .....	<b>1982</b>	<b>W</b> .....	<b>1996</b>	<b>O</b> .....	<b>.NOT USED</b>
<b>F</b> .....	<b>1983</b>	<b>X</b> .....	<b>1997</b>	<b>P</b> .....	<b>2013</b>
<b>G</b> .....	<b>1984</b>	<b>Y</b> .....	<b>1998</b>	<b>Q</b> .....	<b>.NOT USED</b>
<b>H</b> .....	<b>1985</b>	<b>Z</b> .....	<b>1999</b>	<b>R</b> .....	<b>2014</b>
<b>I</b> .....	<b>.NOT USED</b>	<b>A</b> .....	<b>2000</b>	<b>S</b> .....	<b>2015</b>
<b>J</b> .....	<b>1986</b>	<b>B</b> .....	<b>2001</b>	<b>T</b> .....	<b>2016</b>
<b>K</b> .....	<b>1987</b>	<b>C</b> .....	<b>2002</b>	<b>U</b> .....	<b>2017</b>
<b>L</b> .....	<b>1988</b>	<b>D</b> .....	<b>2003</b>	<b>V</b> .....	<b>.NOT USED</b>
<b>M</b> .....	<b>1989</b>	<b>E</b> .....	<b>2004</b>	<b>W</b> .....	<b>2018</b>
<b>N</b> .....	<b>1990</b>	<b>F</b> .....	<b>2005</b>	<b>X</b> .....	<b>2019</b>
<b>O</b> .....	<b>.NOT USED</b>	<b>G</b> .....	<b>2006</b>	<b>Y</b> .....	<b>2020</b>
<b>P</b> .....	<b>1991</b>	<b>H</b> .....	<b>2007</b>	<b>Z</b> .....	<b>2021</b>
<b>Q</b> .....	<b>.NOT USED</b>	<b>I</b> .....	<b>.NOT USED</b>		
<b>R</b> .....	<b>1992</b>	<b>J</b> .....	<b>2008</b>		

## OLDER S&S® CARBURETOR REPLACEMENT PARTS

When ordering parts for older S&S carburetors, it is necessary to determine the correct style of float, needle and bowl S&S has used two different mechanisms to connect the float to the inlet needle

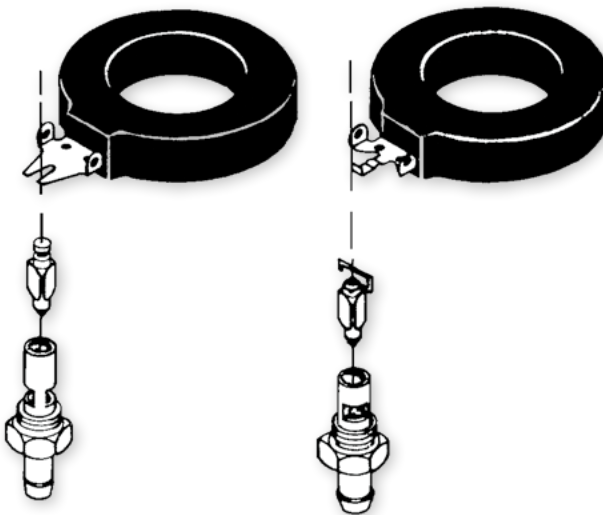
**Forked Mechanism:** Older style that utilizes a forked float tang, which slides into a slot in the top of the needle

**Wire Mechanism:** Current style that features a needle with a wire hook which attaches to the tang of the float

Parts of differing styles may not be used together For example, although the carburetor bowls of the two styles look very similar, they are not interchangeable due to differences in the float retaining pin position Some parts are no longer available for carbs with forked style mechanisms If these parts must be replaced, the entire bowl assembly must be replaced with wire mechanism style components

**FORKED TYPE MECHANISM  
(OBSOLETE)**

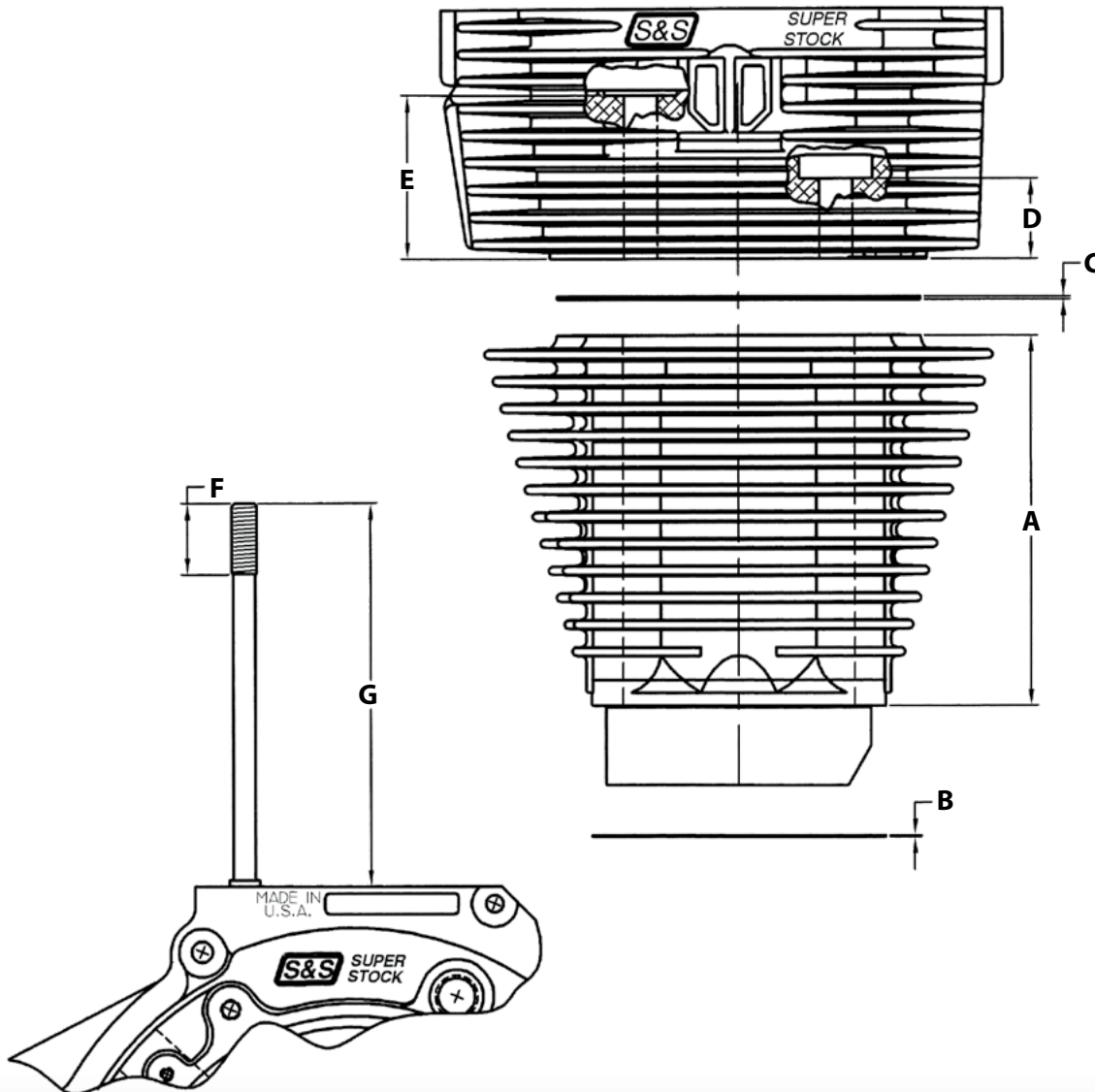
**WIRE TYPE MECHANISM**





# CALCULATING CUSTOM HEAD BOLT LENGTHS

- Add:**
- A**     **Cylinder Length**  
(Gasket surface to gasket surface measurement)
  - + B**     **Base Gasket Thickness**
  - + C**     **Head Gasket Thickness**
  - + D or E**     **Cylinder Head Thickness**  
(Gasket surface to head bolt washer pad measurement):
    - D**     **Short Side**  
All S&S = 1.207"  
Late 1985-'90 Stock = 1.207"  
1991-up Stock = 1.405"
    - E**     **Long Side**  
All S&S = 2.700"  
All Stock = 2.700"
  - + F**     **Desired thread engagement .563"**  
Usually 1½ times stud diameter - stock studs are ¾"
- Subtract:**
- G**     **Cylinder Stud Installed Height**  
(Crankcase deck to top of stud measurement)



M B

2007-'17  
TWIN C.A.M  
96"/103"/110"

1999-'06  
TWIN C.A.M  
88"

SPORTSTER, STREET,  
NIGHTSTER, STREET ROD  
& BUELL

TOOLS &  
SHOP  
SUPPLIES

WARRANTY &  
COMPANY  
POLICY

APPENDIX





**ARE YOU  
FAST  
ENOUGH?**

## **S&S® CYCLE INVITES YOU TO JOIN THE CLUB**

Go here: [sscycle.com/join-seconds-club](http://sscycle.com/join-seconds-club).

### **Rules:**

1. Proof that your street-riden motorcycle (*D.O.T. tires, full charging system, no wheelie bars or air shifts*) equipped with S&S performance products.
2. An 11.99 or quicker quarter-mile time. We'll need an official timing slip from a sanctioned dragstrip dated after June 1, 2005 and signed by the timekeeper. (*A good photo will do.*)
3. The registered owner must ride the motorcycle for the qualification pass.
4. A photograph of yourself and the motorcycle. Action shots are preferred if sharp and clear.

Members will receive a certificate, club patch, and t-shirt, but no payment or other considerations.

S&S Cycle, Inc. reserves the right to change prices, terms, availability, and specifications without prior notice.

### **CUSTOMER SUPPORT HOURS: MONDAY-FRIDAY 8:00A.M.-5:00P.M. CST**

Calls should be directed to (608) 627-1497. International customers should use this number to place orders from outside the United States. This number should also be used if you have a technical or warranty question, or to contact the Accounting departments. This is not a toll-free number.



**S&S<sup>®</sup> Cycle, Inc.**  
**14025 CTY HWY G**  
**Viola, WI 54664 USA**  
**608-627-1497**  
**sscust@sscycle.com**  
**sscycle.com**

**510-0585**

**© 2023**

**MADE IN USA**