



PERFORMANCE EXHAUST

Updated August 2023

MAKING POWER has been our passion for over six decades. During that span bikes have changed, riders changed, and even the tools we use have changed, but our singular focus on making the best of the best has never waned. A flat torque curve still excites us, the rumble of a well-tuned exhaust gives us goosebumps and the satisfaction of buttoning up a freshly built engine continues to make our day. We hope you feel the same exhilaration each time you wick the throttle, enjoy a perfect cam lobe at the stop light or power around your buddies' stockers on the highway. Whichever it is, this is why we do what we do and why **PROVEN PERFORMANCE**[®] has been and will always be our promise.



Look for updated black finishes on all of our exhaust systems! The tips are now coated in a durable Tuxedo Black and the mufflers now feature our bomb-proof Guardian Black coating that better matches factory header coatings, resists corrosion, and does not require heat cycling to fully cure.

new black finish for all except Grand National[®] 2-2 for M8

DIAMONDBACK 2-1

for 2017–2022 M8 touring models



S&S was building Performance Baggers long before it was called that and our focus has always been on making big power! The Diamondback 2-1 Exhaust System is a perfect example of our commitment to true performance. Beginning with a stepped header for maximum flow and a merged collector specifically engineered to prevent exhaust gas reversion, this system wraps up with a 4" full stainless muffler that ends before the rear axle. Diamondback is not for your Daddy's bagger, but purpose built to make big power and sound, excellent cornering clearance and just the right look. Cleared for tall shocks and available in brushed stainless or Guardian Black.

Features & Benefits:

- 2-1 full stainless system (with shields!)
- Oversize header primary tubes for optimum flow and performance
- Just enough length to make big power on your M8
- Four bungs for easy O2 sensor installation and air/fuel monitoring
- Computer aided design & precision bending for improved ground clearance
- Available in Brushed Stainless Steel or super durable Guardian Black Finish
- 50 State legal fitment available! CARB EO# K-010-26
- Made in USA!

DIAMONDBACK 2-1 FOR 2017–2022 TOURING MODELS — STREET LEGAL[†] PERFORMANCE CAT



FINISH	S&S PART #	DRAG PART #	MSRP
Stainless Steel	550-0999A		\$1,859.95
Black	550-1027A		\$1,859.95

DIAMONDBACK 2-1 FOR 2017–2022 TOURING MODELS — RACE ONLY^{††}

Stainless Steel	550-1000	\$1,099.95
Black	550-1028	\$1,132.95



[†]Exempt from emissions tampering regulations under CARB EO# K-010-26

^{††}NOT LEGAL FOR SALE OR USE IN CALIFORNIA ON ANY POLLUTION CONTROLLED MOTOR VEHICLE. NOT LEGAL FOR SALE OR USE NATIONWIDE ON ANY FEDERAL POLLUTION CONTROLLED MOTOR VEHICLE UNDER THE CLEAN AIR ACT

WARNING: Cancer and Reproductive Harm – www.P65Warnings.ca.gov



EL DORADO EXHAUST SYSTEM

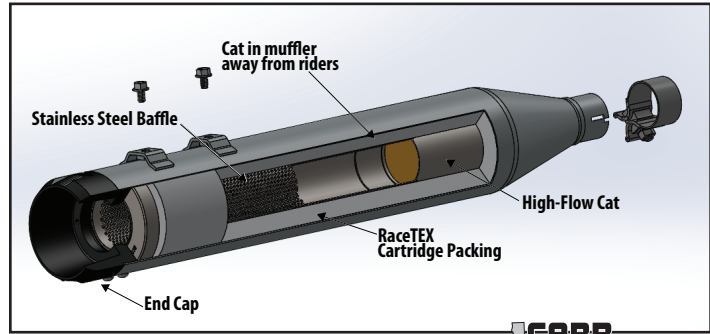
Mk45 Muffler/Header Package

Fits:

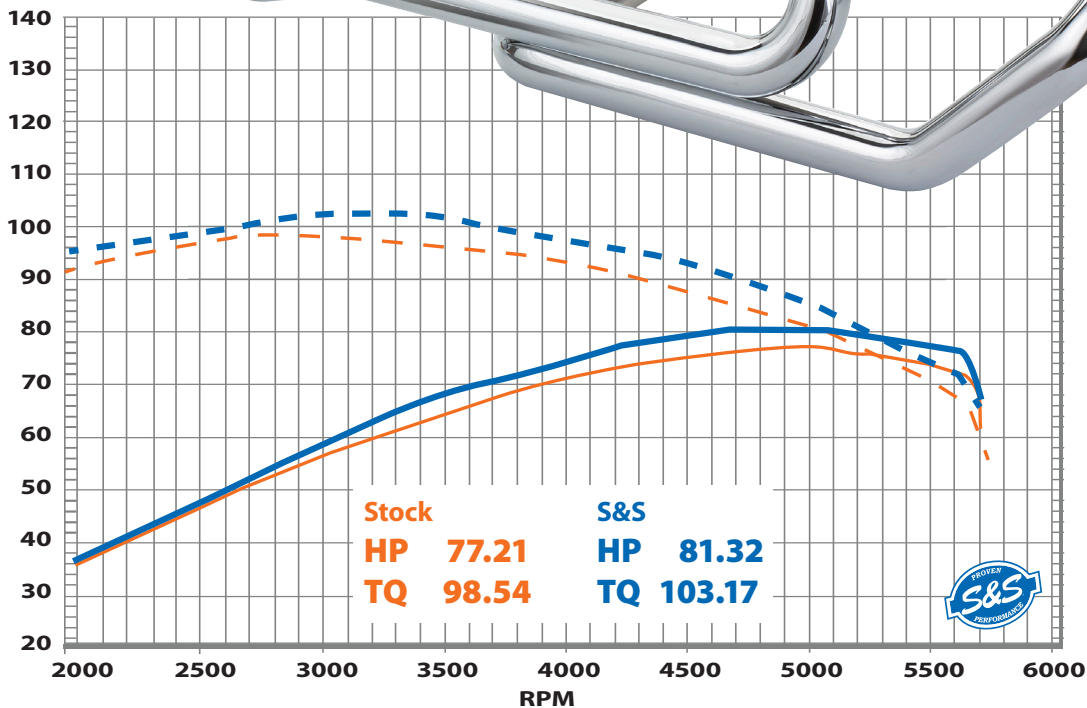
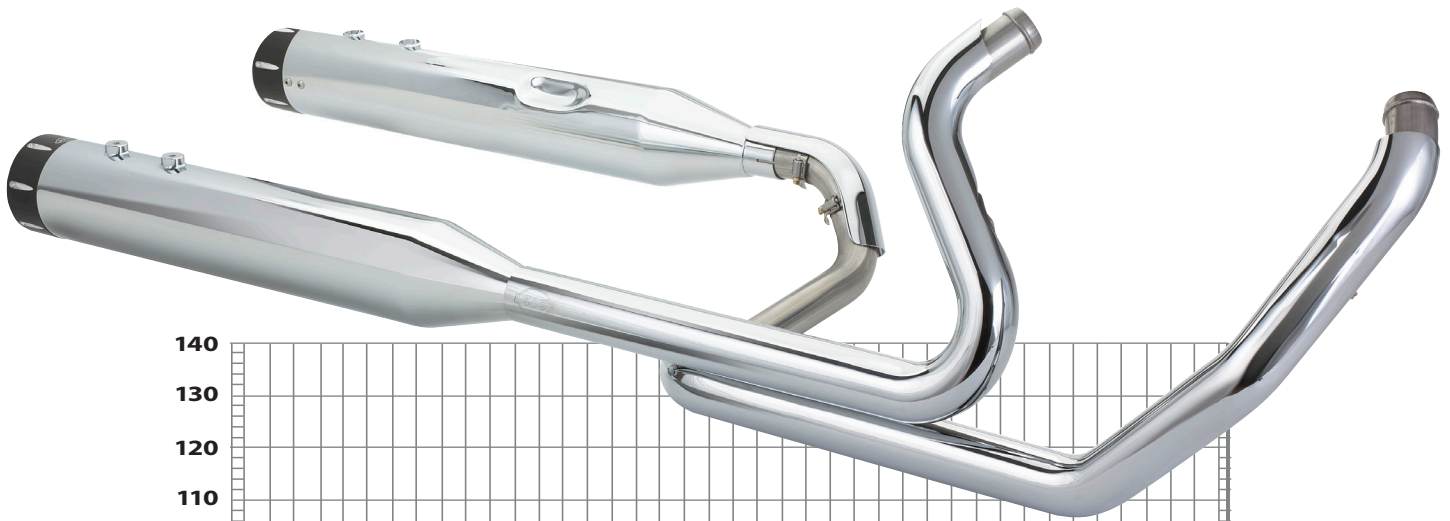
- 2017–2022 Harley-Davidson® touring models
- 2009–2016 Harley-Davidson touring models

Features & Benefits:

- Improved power and torque
- Deep bass rumble throughout the RPM range
- Stainless steel header construction
- Includes adapters for OE or wide band O2 sensors
- O2 sensor location same as stock
- High Flow Cats increase exhaust flow for optimum torque
- Catalysts located in mufflers moves heat away from rider
- Show chrome or ultra durable Guardian Black finish
- Tuxedo Black Thruster, Highlight Machined Tuxedo Black Tracer, and Chrome Tracer tip options
- Made in USA!



Not recommended for Tri Glide® or other three wheel models including conversions due to ground clearance.





Chrome w/
Black Thruster



Chrome w/Highlight
Machined Tracer



Black w/
Black Thruster



Black w/Highlight
Machined Tracer



Chrome w/
Chrome Tracer

EL DORADO EXHAUST SYSTEM FOR 2017–2022 TOURING MODELS — STREET LEGAL *PERFORMANCE CATS*

FINISH	END CAP	S&S PART#	DRAG PART #	MSRP
Chrome	Black Thruster	550-0699C	1800-2527	\$1,853.95
Chrome	Highlight Machined Tracer	550-0701C	1800-2529	\$1,889.95
Black	Black Thruster	550-0700C	1800-2528	\$1,709.95
Black	Highlight Machined Tracer	550-0702C	1800-2530	\$1,853.95
Chrome	Chrome Tracer	550-0851A	1800-2531	\$1,889.95

EL DORADO EXHAUST SYSTEM FOR 2009–2016 TOURING MODELS — STREET LEGAL *PERFORMANCE CATS*

FINISH	END CAP	S&S PART #	DRAG PART #	MSRP
Chrome	Black Thruster	550-0677B	1800-2523	\$1,853.95
Chrome	Highlight Machined Tracer	550-0678B	1800-2524	\$1,835.95
Black	Black Thruster	550-0679B	1800-2525	\$1,709.95
Black	Highlight Machined Tracer	550-0680B	1800-2526	\$1,979.95

Exempt from emissions tampering regulations under CARB EO# K-010-25 for all 2007-2022 FL touring models

⚠️ WARNING: Cancer and Reproductive Harm — www.P65Warnings.ca.gov



SIDEWINDER 2-1

touring exhaust system

Fits:

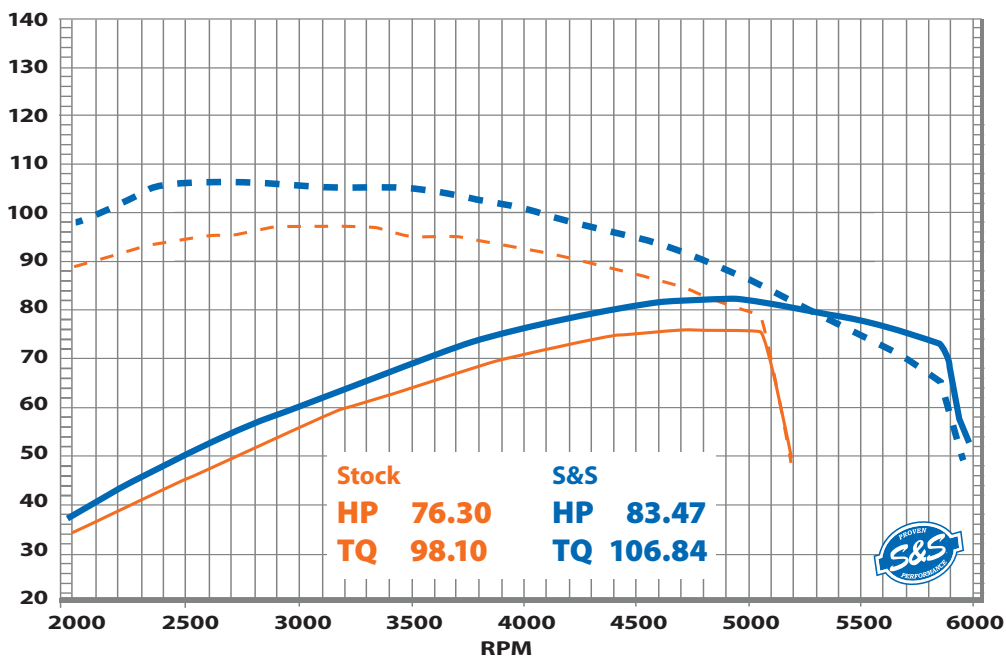
- 2017–2022 HD® touring models
- 2007–2016 HD touring models

Features & Benefits:

- 2-1 styling for high-performance baggers
- Stainless steel stepped header
- High-flow cat
- Increased power and torque
- Available in show chrome or Guardian Black finish
- Highlight Machined aluminum end cap
- Includes adapters that allow use of wide band or stock O2 sensors
- Deep 2-1 performance exhaust note
- Removable dB reducer (*race only*)
- Made in USA!



Not recommended for Tri Glide® or other three wheel models including conversions due to ground clearance.





See page 8 for Left Side Shadow Pipe



Removable dB reducer
(race only)



SIDEWINDER 2-1 FOR 2017–2021 TOURING MODELS — STREET LEGAL[†] PERFORMANCE CAT

FINISH	S&S PART #	DRAG PART #	MSRP
Chrome	550-0758D	1800-2546	\$1,673.95
Black	550-0759D	1800-2547	\$1,627.95

SIDEWINDER 2-1 FOR 2017–2022 TOURING MODELS — RACE ONLY^{††}

Chrome	550-0728	1800-2270	\$1,223.95
Black	550-0729	1800-2271	\$1,199.95

SIDEWINDER 2-1 FOR 2007–2016 TOURING MODELS — STREET LEGAL^{*} PERFORMANCE CAT

FINISH	S&S PART #	DRAG PART #	MSRP
Chrome	550-0771B	1800-2548	\$1,673.95
Black	550-0772B	1800-2549	\$1,627.95

SIDEWINDER 2-1 FOR 1995–2009 TOURING MODELS — STREET LEGAL^{}**

Chrome	550-0776	1800-2389	\$1,259.95
Black	550-0777	1800-2390	\$1,199.95

[†]Exempt from emissions tampering regulations under CARB EO# K-010-21 for all 2017-2021 touring models.

^{††} NOT LEGAL FOR SALE OR USE IN CALIFORNIA ON ANY POLLUTION CONTROLLED MOTOR VEHICLE. NOT LEGAL FOR SALE OR USE NATIONWIDE ON ANY FEDERAL POLLUTION CONTROLLED MOTOR VEHICLE UNDER THE CLEAN AIR ACT

^{**} NOT LEGAL FOR SALE OR USE IN CALIFORNIA ON ANY POLLUTION CONTROLLED MOTOR VEHICLE. Not legal for sale or use on EPA pollution controlled vehicles originally equipped with catalyst. *Qualified manufacturer declared emissions replacement part on FL touring models listed below:

California Models: Fuel Injected Non-CVO FL Touring Model Years: 1995–2003 and 2007. CVO FL Touring Model Years: 2000–2003
49 State Models: Fuel Injected Non-CVO FL Touring Model Years: 1995–2005 and 2007–2009. CVO FL Touring Model Years: 2000–2005

WARNING: Cancer and Reproductive Harm – www.P65Warnings.ca.gov



SHADOW PIPE

for 1995–2022 touring models with S&S Sidewinder® 2-1

Features & Benefits:

- Show chrome and Guardian Black finish
- Shadow muffler fills left side cutout in extended bags when running Sidewinder 2-1
- Matching end caps for left and right side
(not available on any of our slip-on or El Dorado products)
- 4.5" design
- All hardware included
- Made in USA!



2009–2022 TOURING MODELS EQUIPPED WITH S&S® SIDEWINDER 2-1

FINISH	S&S PART #	DRAG PART #	MSRP
Chrome	550-0829	1861-1390	\$440.95
Black	550-0831	1861-1391	\$436.95

1995–2008 TOURING MODELS EQUIPPED WITH S&S® SIDEWINDER 2-1

Chrome	550-0828	1861-1392	\$474.95
Black	550-0830	1861-1393	\$470.95

if you have...

BIKE	FINISH	SIDEWINDER PART #		...you'll need	
		S&S / DRAG		SHADOW PIPE PART #	S&S / DRAG
2017–2021 touring	Chrome	550-0728 / 1800-2270		550-0829 / 1861-1390	
2017–2021 touring	Chrome	550-0758D / 1800-2362		550-0829 / 1861-1390	
2017–2021 touring	Black	550-0729 / 1800-2271		550-0831 / 1861-1391	
2017–2021 touring	Black	550-0759D / 1800-2363		550-0831 / 1861-1391	
2009–2016 touring	Chrome	550-0776 / 1800-2389		550-0829 / 1861-1390	
2009–2016 touring	Chrome	550-0771B / 1800-2387		550-0829 / 1861-1390	
2009–2016 touring	Black	550-0777 / 1800-2390		550-0831 / 1861-1391	
2009–2016 touring	Black	550-0772B / 1800-2388		550-0831 / 1861-1391	
1995–2008 touring	Chrome	550-0776 / 1800-2389		550-0828 / 1861-1392	
1995–2008 touring	Chrome	550-0771B / 1800-2387		550-0828 / 1861-1392	
1995–2008 touring	Black	550-0777 / 1800-2390		550-0830 / 1861-1393	
1995–2008 touring	Black	550-0772B / 1800-2388		550-0830 / 1861-1393	



GNX SLIP-ONS

for 2017–2022 M8 touring models

Features & Benefits:

- 4.5" slip-on with premium fit, finish, sound, and power!
- Show quality chrome or Guardian Black
- Guardian Black is exact match to OEM header
- New, unique louvered baffle delivers a rowdier tone
- Removable dB reducer
- Clears up to 13.5" shock lengths
- Made in USA!



GNX SLIP-ON MUFFLERS FOR 2017–2022 TOURING MODELS

FINISH	S&S PART #	DRAG PART #	MSRP
Black.....	550-0990.....	1801-1462.....	\$599.95
Chrome.....	550-0991.....	1801-1461.....	\$652.95



Not recommended for Tri Glide® or other three wheel models including conversions due to ground clearance.



Removable dB reducer



*Qualified manufacturer declared U.S. 50-State legal emissions replacement part on all MY 2017-2022 FL Touring models
 ⚠️ WARNING: Cancer and Reproductive Harm — www.P65Warnings.ca.gov



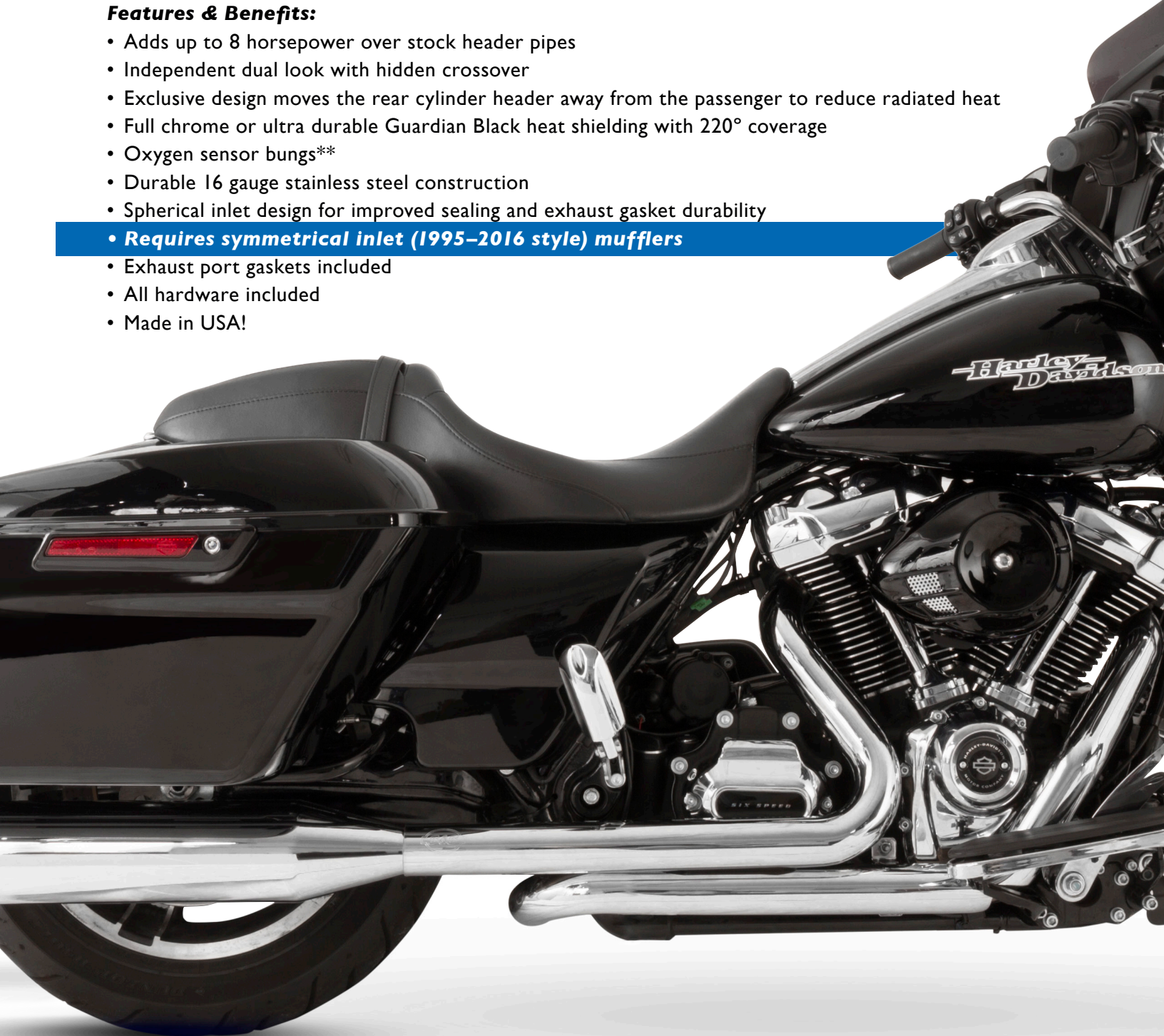
POWER TUNE® DUAL HEADERS

Fits:

- Replacement component for the El Dorado exhaust system for 2017–2022 touring models
- 1995–2016 Non-catalyst equipped Harley-Davidson® touring models

Features & Benefits:

- Adds up to 8 horsepower over stock header pipes
- Independent dual look with hidden crossover
- Exclusive design moves the rear cylinder header away from the passenger to reduce radiated heat
- Full chrome or ultra durable Guardian Black heat shielding with 220° coverage
- Oxygen sensor bungs**
- Durable 16 gauge stainless steel construction
- Spherical inlet design for improved sealing and exhaust gasket durability
- **Requires symmetrical inlet (1995–2016 style) mufflers**
- Exhaust port gaskets included
- All hardware included
- Made in USA!



NOT LEGAL FOR SALE OR USE IN CALIFORNIA ON ANY POLLUTION CONTROLLED MOTOR VEHICLE. NOT LEGAL FOR SALE OR USE NATIONWIDE ON ANY FEDERAL POLLUTION CONTROLLED MOTOR VEHICLE UNDER THE CLEAN AIR ACT *This part is en*

**NOT LEGAL FOR SALE OR USE IN CALIFORNIA ON ANY POLLUTION CONTROLLED MOTOR VEHICLE. Not legal for sale or use on EPA pollution controlled vehicles originally equipped with catalyst. *Qualified manufacturer declared emissions replacement
2007-2008. CVO FL Touring MY 2000-2005

***NOT LEGAL FOR SALE OR USE IN CALIFORNIA ON ANY POLLUTION CONTROLLED MOTOR VEHICLE. Not legal for sale or use on EPA pollution controlled motorcycles originally equipped with a catalyst exhaust. *Qualified Manufacturer Declared Emiss



POWER TUNE® DUAL HEADERS FOR 2017–2022 TOURING MODELS WITH SYMMETRICAL INLET (1995-2016 STYLE) MUFFLERS

FINISH	S&S PART #	DRAG PART #	MSRP
Chrome	550-0704	1802-0390	\$679.95
Black	550-0705	1802-0391	\$744.95

POWER TUNE® DUAL HEADERS FOR 1995–2016 TOURING MODELS

FITS	FINISH	S&S PART #	DRAG PART #	MSRP
1995–2008** touring	Chrome	550-0003A††	1802-0382	\$674.95
	Black	550-0142A††	1802-0389	\$744.95
2009–2016 touring and 2009–2019 Tri Glide®† models..	Chrome	550-0004B†††	1802-0372	\$674.95
	Black	550-0143B†††	1802-0373	\$744.95

**Has 18mm sensor fittings in the stock locations for 2007–2008 bikes. If not equipped with oxygen sensors, the ports can be used for tuning. Plugs are included if ports are not used.
†Requires the Pipe Extension Adaptor Kit, part # 550-0799 / 1802-0395



missions compliant only when used as part of a complete El Dorado exhaust package.

ent part on FL touring models listed below. California Models: FL Touring Fuel Injected MY 1995–2003, and 2007. CVO FL Touring MY 2000–2003. 49 State Models: FL Touring Carbureted MY 1995–2005. FL Touring Fuel Injected MY 1995–2005 and

sions Compliant Part for 2009 Harley-Davidson 49-State Non-CVO FL Touring Models Only

 WARNING: Cancer and Reproductive Harm – www.P65Warnings.ca.gov



Mk45 SLIP-ONS

Fits:

- 2017–2021 Harley-Davidson® touring models (Does not fit trike models)
- 1995–2016 Harley-Davidson touring models

Features & Benefits:

- Available in show quality chrome or Guardian Black finish
- Choose Cutlass, Thruster, Tracer end cap designs in chrome or Tuxedo Black
- Performance 2.5" stainless steel perforated baffle
- RaceTEX cartridge packing
- 50-state legal on most models
- Removable dB reducer
- Made in USA!



**NEW FOR
2022**

**NEW FOR
2022**



Removable dB reducers



Black w/Black Cutlass



Chrome w/Black Cutlass



Not recommended for Tri Glide® or other three wheel models including conversions due to ground clearance.

Mk45 4.5" SLIP-ONS FOR 2017–2022 TOURING MODELS

MUFFLER FINISH	END CAP FINISH & STYLE	S&S PART #	DRAG PART #	MSRP
Chrome	Black Cutlass.....	550-1011		\$775.95
Chrome	Chrome Thruster.....	550-0665	1801-1074	\$782.95
Chrome	Black Thruster.....	550-0664	1801-1075	\$775.95
Chrome	Chrome Tracer.....	550-0669	1801-1078	\$782.95
Chrome	Hightlight Machined Tracer	550-0668	1801-1079	\$799.95
Black.....	Black Cutlass.....	550-1010		\$799.95
Black.....	Black Thruster	550-0666	1801-1077	\$839.95
Black.....	Hightlight Machined Tracer.....	550-0670	1801-1081	\$839.95

Mk45 4.5" SLIP-ONS FOR 1995–2016 TOURING MODELS

MUFFLER FINISH	END CAP FINISH & STYLE	S&S PART #	DRAG PART #	MSRP
Chrome	Black Cutlass.....	550-1017		\$797.95
Chrome	Chrome Thruster.....	550-0620	1801-0846	\$797.95
Chrome	Black Thruster	550-0619	1801-0847	\$782.95
Chrome	Chrome Tracer	550-0624	1801-0850	\$820.95
Chrome	Hightlight Machined Tracer.....	550-0623	1801-0851	\$782.95
Black.....	Black Cutlass.....	550-1016		\$775.95
Black.....	Black Thruster	550-0621	1801-0849	\$815.95
Black.....	Hightlight Machined Tracer.....	550-0625	1801-0853	\$815.95



Chrome w/Chrome Thruster



Chrome w/Black Thruster



Chrome w/Chrome Tracer



Chrome w/Hightlight Machined Tracer



Black w/Black Thruster



Black w/Hightlight Machined Tracer

*Qualified manufacturer declared U.S. 50-State legal emissions replacement part on all MY 2017-2022 FL Touring models

NOT LEGAL FOR SALE OR USE IN CALIFORNIA ON ANY POLLUTION CONTROLLED MOTOR VEHICLES. Not legal for sale or use on EPA pollution controlled motorcycles originally equipped with mufflers containing catalyst.

*Qualified Manufacturer Declared Emissions Replacement Part on the FL Touring Models Listed Below. California FL Touring Models: Fuel Injected MY 1995-2003, 2007, and 2009-2016; CVO MY 2000-2003, and 2009-2016. 49 State FL touring Models: Carbureted MY 1995-2005; Fuel Injected MY 1995-2005, and 2007-2016; CVO MY 2000-2005, and 2009-2016.

⚠ WARNING: Cancer and Reproductive Harm – www.P65Warnings.ca.gov



GRAND NATIONAL®

slip-ons

Fits:

- 2017–2022 touring models
- 1995–2016 Harley-Davidson® touring models with non-catalyst mufflers
- 2009–2022 trike models

Features & Benefits:

- Show quality chrome or Guardian Black finish
- Race inspired Grand National end cap
- High flow louvered tube baffle
- Aggressive sound & excellent HP
- Removable dB reducer
- Made in USA!



Removable dB reducer



GRAND NATIONAL® SLIP-ONS — 4" MUFFLERS FOR 2017–2022 TOURING MODELS EXCEPT TRIKE MODELS (SEE CHART BELOW)

FINISH	S&S PART #	DRAG PART #	MSRP
Chrome	550-0693	1801-1203	\$576.95
Black	550-0694	1801-1204	\$607.95

GRAND NATIONAL® SLIP-ONS — 4" MUFFLERS FOR 1995–2016 TOURING MODELS & 2009–2022 TRIKE MODELS

FINISH	S&S PART #	DRAG PART	MSRP
Chrome	550-0689	1801-1205	\$576.95
Black	550-0690	1801-1206	\$607.95



*Qualified manufacturer declared U.S. 50-State legal emissions replacement part on all MY 2017-2022 FL Touring models

DISCLAIMER: NOT LEGAL FOR SALE OR USE IN CALIFORNIA ON ANY POLLUTION CONTROLLED MOTOR VEHICLES. Not legal for sale or use on EPA pollution controlled motorcycles originally equipped with mufflers containing catalyst. *Qualified manufacturer declared emissions replacement part on the FL touring models listed below. California FL Touring Models: Fuel Injected MY 1995-2003, 2007, and 2009-2016; CVO MY 2000-2003, and 2009-2016; 49 State FL touring Models: Carbureted MY 1995-2005; Fuel Injected MY 1995-2005, and 2007-2016; CVO MY 2000-2005, and 2009-2016

SLASH CUT

slip-ons

Fits:

- 2017–2022 touring models
- 1995–2016 Harley-Davidson® touring models with non-catalyst mufflers
- 2009–2022 trike models

Features & Benefits:

- Show quality chrome or Guardian Black finish
- Economical price
- High flow louvered tube baffle
- Aggressive sound & excellent HP
- Excellent clearance on trike models
- Removable dB reducer
- Made in USA!



Removable dB reducer



SLASH CUT SLIP-ONS — 4" MUFFLERS FOR 2017–2022 TOURING MODELS EXCEPT TRIKE MODELS (SEE CHART BELOW)

FINISH	S&S PART #	DRAG PART #	MSRP
Chrome	550-0695	1801-1207	\$525.95
Black	550-0696	1801-1208	\$560.95

SLASH CUT SLIP-ONS — 4" MUFFLERS FOR 1995–2016 TOURING MODELS AND 2009–2022 TRIKE MODELS

FINISH	S&S PART #	DRAG PART #	MSRP
Chrome	550-0691	1801-1209	\$525.95
Black	550-0692	1801-1210	\$560.95



*Qualified manufacturer declared U.S. 50-State legal emissions replacement part on all MY 2017-2022 FL Touring models
 NOT LEGAL FOR SALE OR USE IN CALIFORNIA ON ANY POLLUTION CONTROLLED MOTOR VEHICLES. Not legal for sale or use on EPA pollution controlled motorcycles originally equipped with mufflers containing catalyst.
 *Qualified manufacturer declared emissions replacement part on the FL touring models listed below.
 California FL Touring Models:
 Fuel Injected MY 1995-2003, 2007, and 2009-2016
 CVO MY 2000-2003, and 2009-2016
 49 State FL touring Models:
 Carbureted MY 1995-2005
 Fuel Injected MY 1995-2005, 2007-2016
 CVO MY 2000-2005, and 2009-2016

⚠ WARNING: Cancer and Reproductive Harm – www.P65Warnings.ca.gov



SUPERSTREET 2-1

for 2018–2022 HD® Softail® models

Fits:

- 2018–2022 HD® Street Bob®, Low Rider®, Softail Slim®, Fat Bob®, Deluxe, Sport Glide® & Heritage® models
- 2018–2022 HD® Softail® Fat Boy®, Breakout® & FXDR® models

Features & Benefits:

- Classic 2-1 styling
- Fits floorboard and forward controls and fits mid mounts with S&S brake pedal kit
(part #560-0259A / 1861-1493 for \$193.95)
- Saddlebag support compatible! Works with OEM and similar size saddlebags
(like Heritage® or Sport Glide® models)
- Stainless steel stepped header construction
- Available in show quality chrome, Guardian Black finish, and Stainless Steel Muffler & Shields
- Passenger peg bracket included (Fat Boy, FXDR & Breakout version.
All others use OE Heritage location)
- Removable dB reducer included (Race only version)
- Made in the USA!



Brake pedal kit





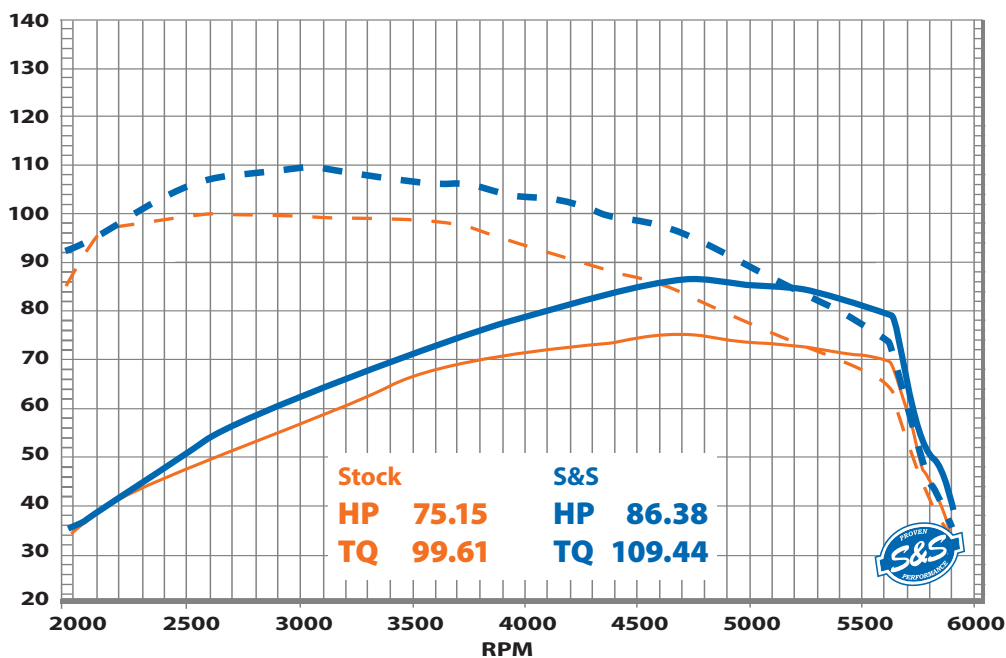
SUPERSTREET 2-1 — STREET LEGAL* PERFORMANCE CAT

FITS.....	FINISH	S&S PART #	DRAG PART #	MSRP
2018-'22 HD® Street Bob®, Low Rider®, Softail Slim®, Fat Bob®, Deluxe, Sport Glide® & Heritage® models®	Stainless Steel.....	550-0996B	1800-2520	\$1,669.95
	Black.....	550-0789B.....	1800-2483	\$1,669.95
	Chrome.....	550-0791B.....	1800-2484	\$1,637.95
2018-'22 HD® Softail® Fat Boy®, Breakout® & FXDR® models.....	Black.....	550-0846B	1800-2485	\$1,637.95
	Chrome.....	550-0847B.....	1800-2486	\$1,669.95

SUPERSTREET 2-1 — RACE ONLY†

FITS.....	FINISH	S&S PART #	DRAG PART #	MSRP
2018-'22 HD Street Bob, Low Rider, Softail Slim, Fat Bob, Deluxe, Sport Glide & Heritage models.....	Black.....	550-0788	1800-2401	\$1,099.95
	Chrome.....	550-0790	1800-2400	\$1,143.95
2018-'22 HD Softail Fat Boy, Breakout & FXDR models	Black.....	550-0857	1800-2467	\$1,091.95
	Chrome.....	550-0858	1800-2468	\$1,225.95

BRAKE PEDAL KIT..... 560-0259A..... 1861-1493 \$193.95



*Exempt from emissions tampering regulations under CARB EO# K-010-22 for all 2018-2022 Softail models with 107" or 114" engine
 † FOR CLOSED COURSE COMPETITION USE ONLY. NOT INTENDED FOR STREET USE. LEGAL IN CALIFORNIA ONLY FOR RACING VEHICLES WHICH MAY NEVER BE USED, OR REGISTERED OR LICENSED FOR USE, UPON A HIGHWAY. NOT LEGAL FOR SALE OR USE NATIONWIDE ON ANY FEDERAL POLLUTION CONTROLLED MOTOR VEHICLE UNDER THE CLEAN AIR ACT.

⚠ WARNING: Cancer and Reproductive Harm – www.P65Warnings.ca.gov



GRAND NATIONAL® 2-2

for 2018–2022 HD® Street Bob®, Low Rider®, Slim®, Fat Bob®, & Deluxe Models

Features & Benefits:

- 2-2 Free-flow design equals solid HP gains
- Fits floorboard and forward controls and fits mid mounts with brake pedal kit
- Hidden crossover provides performance benefits of 2-1
- Stainless steel header construction
- Available in chrome or ceramic black finish
- Removable dB reducer included (*Race only version*)
- Right side passenger peg relocation bracket
- Made in USA!



Removable dB reducer



GRAND NATIONAL® 2-2 EXHAUST SYSTEM FOR 2018–2019 MODELS — STREET LEGAL[†] PERFORMANCE CAT

FINISH	S&S PART #.....	DRAG PART #	MSRP
Chrome	550-0816A.....	1800-2442.....	\$1,292.95

GRAND NATIONAL® 2-2 EXHAUST SYSTEM FOR 2018–2022 MODELS — RACE ONLY^{††}

FINISH	S&S PART #.....	DRAG PART #	MSRP
Black.....	550-0760.....	1800-2366.....	\$1,091.95

BRAKE PEDAL KIT.....	560-0259A	1861-1493	\$193.95
PASSENGER PEG.....	550-0801	1861-1272	\$81.95



Brake pedal kit



Passenger Peg Relocation Bracket

[†]Exempt from emissions tampering regulations under CARB EO# K-010-7 for all 2018–2019 Softtail Models

^{††} NOT LEGAL FOR SALE OR USE IN CALIFORNIA ON ANY POLLUTION CONTROLLED MOTOR VEHICLE. NOT LEGAL FOR SALE OR USE NATIONWIDE ON ANY FEDERAL POLLUTION CONTROLLED MOTOR VEHICLE UNDER THE CLEAN AIR ACT

 WARNING: Cancer and Reproductive Harm — www.P65Warnings.ca.gov

GRAND NATIONAL® SLIP-ONS

for 2018–2022 HD® Fat Bob® models

Features & Benefits:

- Up to 12% more horsepower and 6% more torque (when used with Stealth Air Cleaner Kit)
- Race inspired design
- Guardian Black finish
- Deep performance rumble
- No mapping required
- Removable dB reducer
- Made in USA!



Removable dB reducer



GRAND NATIONAL® SLIP-ONS

Black550-0734 1801-1234\$524.95

*Qualified manufacturer declared U.S. 50-State legal emissions replacement part on all MY 2018-2021 Fat Bob models.
 ⚠️ WARNING: Cancer and Reproductive Harm – www.P65Warnings.ca.gov



GRAND NATIONAL® SLIP-ONS

for 2018–2022 Softail® models except Fat Bob®, Sport Glide®, & FXDR® models

Features & Benefits:

- Race inspired Grand National end cap design
- Show quality chrome or Guardian Black
- Guardian Black is exact match to OEM heat shields
- All hardware and gaskets included
- Deep performance rumble replaces stock whisper tone
- Made in USA!

GRAND NATIONAL® SLIP-ONS FOR 2018–2022 M8 SOFTAIL® MODELS — STREET LEGAL[†] PERFORMANCE CAT

FITS FINISH S&S PART # DRAG PART # MSRP

M8 HD Softail models: Street Bob®, Low Rider®, Slim®, Fat Boy®, & Breakout® models	Black	550-0754B	1801-1476	\$1,235.95
	Chrome	550-0755B	1801-1477	\$1,235.95
M8 HD Heritage Softail Classic & Softail Deluxe models	Chrome	550-0757B	1801-1479	\$1,235.95

GRAND NATIONAL® SLIP-ONS FOR 2018–2022 M8 SOFTAIL® MODELS — RACE ONLY^{††}

FITS FINISH S&S PART # DRAG PART # MSRP

M8 HD Softail models: Street Bob®, Low Rider®, Slim®, Fat Boy®, & Breakout® models	Black	550-0737	1801-1360	\$499.95
	Chrome	550-0738	1801-1361	\$504.95
M8 HD Heritage Softail Classic & Softail Deluxe models	Chrome	550-0740	1801-1362	\$504.95



[†]Exempt from emissions tampering regulations under CARB EO# K-010-23 for all 2018-2022 Breakout, Fat Boy, Low Rider, Slim, Street Bob, Deluxe, and Heritage Classic Softail Models with the 107" or 114" Engine

^{††} NOT LEGAL FOR SALE OR USE IN CALIFORNIA ON ANY POLLUTION CONTROLLED MOTOR VEHICLE. NOT LEGAL FOR SALE OR USE NATIONWIDE ON ANY FEDERAL POLLUTION CONTROLLED MOTOR VEHICLE UNDER THE CLEAN AIR ACT

 WARNING: Cancer and Reproductive Harm — www.P65Warnings.ca.gov

SLASH CUT SLIP-ONS

for 2018–2022 Softail® models except Fat Bob®, Sport Glide®, & FXDR® models
Features & Benefits:

- Classic Slash Cut styling
- Show quality chrome or Guardian Black
- Guardian Black is exact match to OEM heat shields
- All hardware and gaskets included
- Deep performance rumble replaces stock whisper tone
- Made in USA!



SLASH CUT SLIP-ONS FOR 2018–2022 M8 SOFTAIL® MODELS — STREET LEGAL† PERFORMANCE CAT

FITS FINISH S&S PART #..... DRAG PART # MSRP

M8 HD Softail models: Street Bob®, Low Rider®, Slim®, Fat Boy®, & Breakout® models.....	Black.....	550-0752B	1801-1474	\$1,205.95
	Chrome.....	550-0753B	1801-1475	\$1,205.95
M8 HD Heritage Softail Classic & Softail Deluxe models... Chrome		550-0756B	1801-1478	\$1,132.95

SLASH CUT SLIP-ONS FOR 2018–2022 M8 SOFTAIL® MODELS — RACE ONLY††

FITS FINISH S&S PART #..... DRAG PART # MSRP

M8 HD Softail models: Street Bob®, Low Rider®, Slim®, Fat Boy®, & Breakout® models.....	Black.....	550-0735	1801-1354	\$432.95
	Chrome.....	550-0736	1801-1355	\$432.95
M8 HD Heritage Softail Classic & Softail Deluxe models... Chrome.....		550-0739	1801-1356	\$440.95



†Exempt from emissions tampering regulations under CARB EO# K-010-23 for all 2018-2022 Breakout, Fat Boy, Low Rider, Slim, Street Bob, Deluxe, and Heritage Classic Softail Models with the 107" or 114" Engine

†† NOT LEGAL FOR SALE OR USE IN CALIFORNIA ON ANY POLLUTION CONTROLLED MOTOR VEHICLE. NOT LEGAL FOR SALE OR USE NATIONWIDE ON ANY FEDERAL POLLUTION CONTROLLED MOTOR VEHICLE UNDER THE CLEAN AIR ACT

⚠ WARNING: Cancer and Reproductive Harm – www.P65Warnings.ca.gov



SUPERSTREET 2-1

for 2007–2022 xl models

Fits:

- 2014–2022 xl models with forward or mid controls
- 2007–2013 xl models with forward or mid controls *(does not fit XR models)*

Features & Benefits:

- Classic 2-1 styling
- Fits forward and mid controls
- Ultra durable Guardian Black finish
- Stainless steel stepped header construction
- Oxygen sensor ports allow use of wide band or stock O2 sensors
- Made in USA!

SUPERSTREET 2-1 EXHAUST SYSTEM

FITS	S&S PART #	DRAG PART #	MSRP
2014–'22 Sportster® models ..	550-0952A	1800-2478	\$1,295.95
2007–'13 Sportster models	550-0951*	1800-2477	\$839.95
<i>(does not fit XR models)</i>			



Removable dB reducer



[†]Exempt from emissions tampering regulations on all 2014–2022 Sportster models under CARB EO# K-010-24

*Qualified manufacturer declared U.S. 50-State legal emissions replacement part on all MY 2007–2013 Sportster models

WARNING: Cancer and Reproductive Harm – www.P65Warnings.ca.gov

GRAND NATIONAL® SLIP-ONS

4" Mufflers for 2014–2022 HD® Street® XG750, XG500, & Street Rod™

Features & Benefits:

- 10% increase in HP & torque
(when used with Stealth Air Cleaner Kit)
- Race inspired sound & stainless steel baffle
- Guardian Black finish matches stock header pipe
- Removable dB reducer
- Made in USA!



Removable dB reducer

GRAND NATIONAL® 4" SLIP-ON 2014–2022 HD® STREET® XG750, XG500 & STREET ROD™

FINISH S&S PART # DRAG PART # MSRP

Black550-0703 1801-1169.....\$336.95



*Qualified Manufacturer Declared Emissions Replacement Part on all 2014–2022 Street Models

⚠ WARNING: Cancer and Reproductive Harm – www.P65Warnings.ca.gov



GRAND NATIONAL® SLIP-ONS *for Dyna® models*

Fits:

- 1995–2009 Dyna models with staggered exhaust
- 2008–2017 Dyna models with 2-1-2 exhaust
(2008–2017 Fat Bob®, 2010–2017 Wide Glide®, & 2017 Low Rider® S models)

Features & Benefits:

- Up to 17% more horsepower and 9% more torque
(when used with Stealth Air Cleaner Kit)
- Show chrome or black finish
- Deep performance rumble
- Made in USA!



GRAND NATIONAL® SLIP-ONS FOR 1995–2009 DYNA® MODELS WITH STAGGERED EXHAUST†

FINISH	S&S PART #	DRAG PART #	MSRP
Chrome	550-0719	1801-1275	\$484.95
Black	550-0721	1801-1276	\$499.95

GRAND NATIONAL SLIP-ONS FOR 2008–2017 DYNA® MODELS WITH 2-1-2 EXHAUST††

FINISH	S&S PART #	DRAG PART #	MSRP
Chrome	550-0723	1801-1277	\$484.95
Black	550-0725	1801-1278	\$499.95



Removable dB reducer

SLASH CUT SLIP-ONS *for Dyna® models*

Fits:

- 1995–2009 Dyna models with staggered exhaust
- 2008–2017 Dyna models with 2-1-2 exhaust

Features & Benefits:

- Up to 16% more horsepower and 10% more torque
(when used with Stealth Air Cleaner Kit)
- Wake up your bike without breaking your budget
- Classic slash cut styling
- Show chrome or black finish
- Made in USA!



SLASH CUT SLIP-ONS FOR 1995–2009 DYNA® MODELS WITH STAGGERED EXHAUST†

FINISH	S&S PART #	DRAG PART #	MSRP
Chrome	550-0718	1801-1271	\$388.95
Black	550-0720	1801-1272	\$377.95

SLASH CUT SLIP-ONS FOR 2008–2017 DYNA® MODELS WITH 2-1-2 EXHAUST††

FINISH	S&S PART #	DRAG PART #	MSRP
Chrome	550-0722	1801-1273	\$409.95
Black	550-0724	1801-1274	\$370.95



Removable dB reducer

†NOT LEGAL FOR SALE OR USE IN CALIFORNIA ON ANY POLLUTION CONTROLLED MOTOR VEHICLES. Not legal for sale or use on EPA pollution controlled motorcycles originally equipped with mufflers containing catalyst. *Qualified Manufacturer Declared Emissions Replacement Part on the Dyna Models Listed Below. California Models: MY 2006-2007, Except CVO models 49 State Models: MY 1995-2009, Except CVO models

††NOT LEGAL FOR SALE OR USE IN CALIFORNIA ON ANY POLLUTION CONTROLLED MOTOR VEHICLES. Not legal for sale or use on EPA pollution controlled motorcycles originally equipped with mufflers containing catalyst. *Qualified Manufacturer Declared Emissions Replacement Part on the Dyna Models Listed Below. California Models: Fat Bob MY 2008, 2010-2017; Wide Glide MY 2010-2017; Low Rider S MY 2017 49 State Models: Fat Bob MY 2008-2017; Wide Glide MY 2010-2017; Low Rider S MY 2017

⚠ WARNING: Cancer and Reproductive Harm – www.P65Warnings.ca.gov

GRAND NATIONAL® 2-2 HIGH

for Indian® FTR 1200®

Features & Benefits:

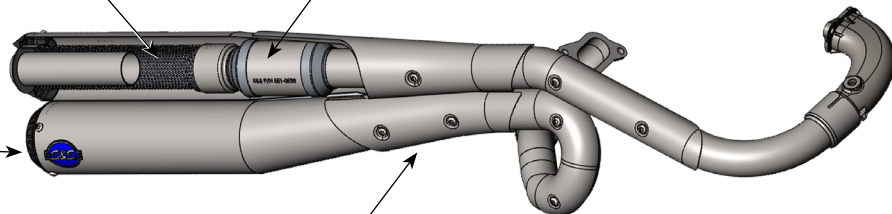
- S&S domination of American Flat Track series championship now available for FTR 1200
- True race replica system has same 3.5" can and Grand National end cap design styling as mighty FTR 750 racers
- Features S&S engineered high flow catalytic converters that bring legal performance to the street!
- Header and muffler heat shields protect rider from excessive heat
- Made in the USA!



Stainless Steel perforated core baffle wrapped in fiberglass for a stealthy exhaust note

High Flow Cats Bring Legal Performance to the Street

Race style Grand National end cap design



Multi Layer Heat Shields including 6MM Ceramic Thermal Barrier to Protect Rider from exhaust heat

GRAND NATIONAL® 2-2 HIGH FOR 2019–2022 INDIAN® FTR 1200® — STREET LEGAL PERFORMANCE CAT

FINISH S&S PART # DRAG PART MSRP

Stainless Steel 550-0950B 1810-2853 \$2,276.95



Exempt from emissions tampering regulations under CARB EO# K-010-28 for all 2019-2022 Indian FTR 1200 Models
 ⚠️ WARNING: Cancer and Reproductive Harm — www.P65Warnings.ca.gov

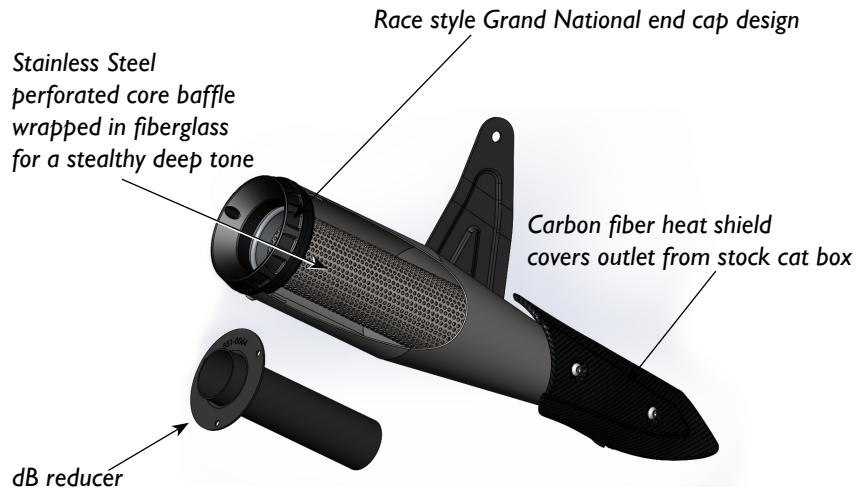
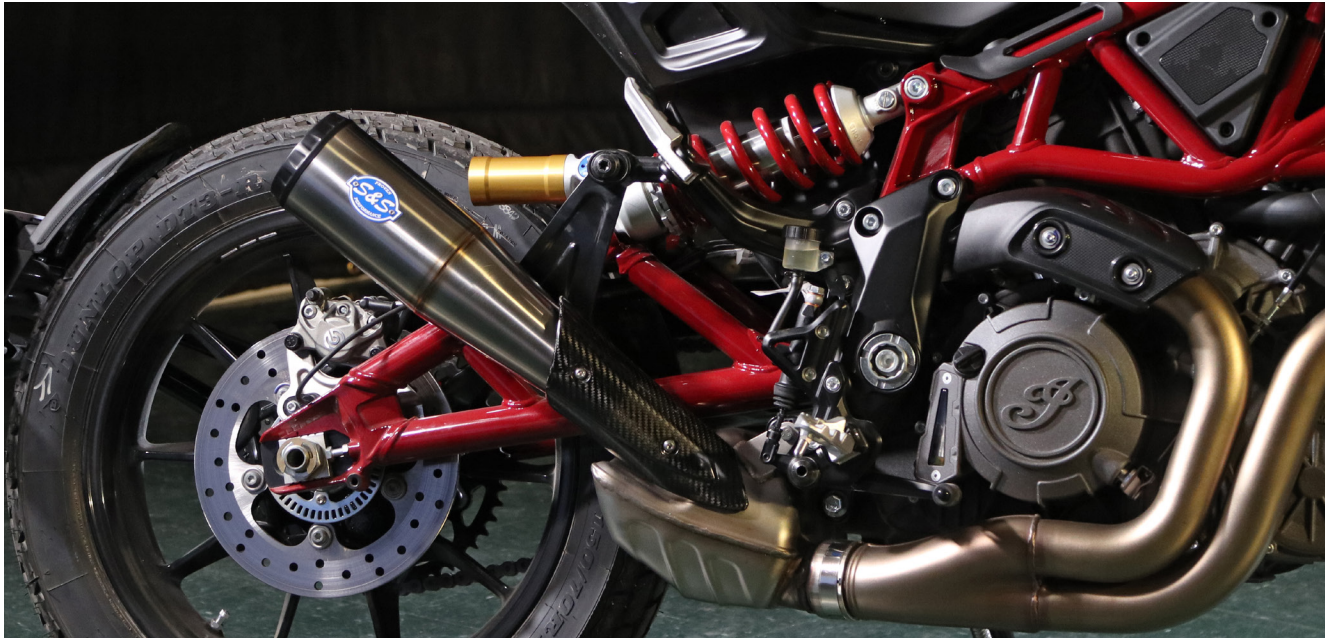


GRAND NATIONAL® SLIP-ON

for 2019–2022 Indian® FTR 1200®

Features & Benefits

- Stainless steel can with exposed tig welds for factory race styling
- Carbon fiber heat shield
- Race inspired Grand National end cap
- Removable dB reducer
- Made in USA!



GRAND NATIONAL® SLIP-ON FOR 2019–2022 INDIAN® FTR 1200®

FINISH S&S PART # DRAG PART # MSRP

Stainless Steel550-0854 1811-3798 \$504.95

QUALIFIER 2-1 EXHAUST SYSTEM

for Royal Enfield® 650 Twins

The Qualifier is an aggressively styled 2-1 race replica exhaust system built for 2019–2022 RE 650. Crafted from stainless steel, it's as durable as it is good looking and sheds a full 28 lbs over the stock system. More importantly it bumps horsepower while emitting a deep race note that's just as happy on the track as it is on the street.

Features & Benefits:

- Aggressive 2-1 race styling
- Shed 28 pounds while improving performance and sound
- 12% increase in peak hp and 7% increase in torque (when combined with S&S high flow air filter)
- Durable all stainless steel construction



QUALIFIER 2-1 PERFORMANCE EXHAUST SYSTEM—STREET LEGAL

FINISH	S&S PART #	DRAG PART #	MSRP
Stainless Steel	550-1029A	1810-2890	\$1,553.95

QUALIFIER 2-1 PERFORMANCE EXHAUST SYSTEM—RACE ONLY

Stainless Steel	550-1031	1810-2851	\$968.95
-----------------------	----------------	-----------------	----------



Removable dB reducer



Exempt from emissions tampering regulations under CARB EO# K-010-19 for all 2019-2021 Royal Enfield 650 Twin Models

FOR CLOSED COURSE COMPETITION USE ONLY. NOT INTENDED FOR STREET USE. LEGAL IN CALIFORNIA ONLY FOR RACING VEHICLES WHICH MAY NEVER BE USED, OR REGISTERED OR LICENSED FOR USE, UPON A HIGHWAY. NOT LEGAL FOR SALE OR USE NATIONWIDE ON ANY FEDERAL POLLUTION CONTROLLED MOTOR VEHICLE UNDER THE CLEAN AIR ACT.

⚠ WARNING: Cancer and Reproductive Harm – www.P65Warnings.ca.go

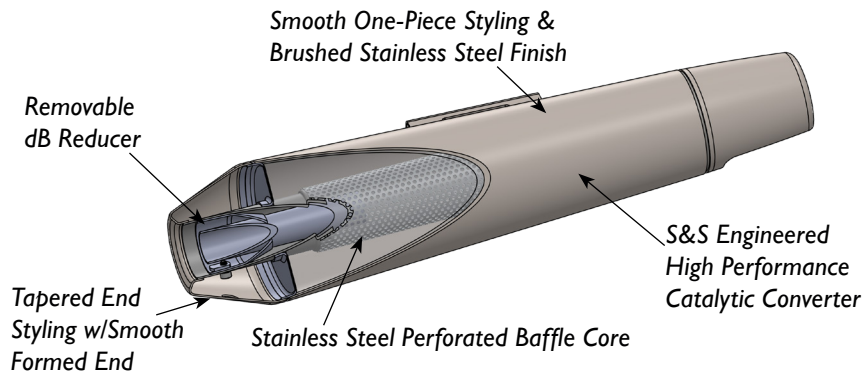


TAPERED CONE SLIP-ONS

for Royal Enfield® 650 Twins

Features & Benefits:

- Improved horsepower & torque
- Brushed stainless steel finish
- Removable dB reducer
- Deep performance exhaust note
- Durable, all stainless steel construction
- Stock 22.4 lbs (10.1 kg)
Street 10.8 lbs (4.9 kg)
- Available exclusively through Royal Enfield dealers in North America



TAPERED CONE SLIP-ONS — STREET LEGAL *PERFORMANCE CAT*

FINISH S&S PART # DRAG PART # MSRP
 Stainless Steel (*RE Exclusive*) Available exclusively through Royal Enfield dealers in North America....\$899.95

TAPERED CONE SLIP-ONS — RACE ONLY

Stainless Steel (*RE Exclusive*) 550-0770.....S&S ONLY!\$566.95



EUROPEAN SPEC EC GRAND NATIONAL® SLIP-ONS

for Indian® FTR 1200® models in Europe

- EC approved with S&S performance and style
- Race-inspired Grand National end cap design
- All hardware included
- Made in USA



GRAND NATIONAL® EC SLIP-ONS FOR 2019–2022 INDIAN® FTR 1200®

FINISH S&S PART # DRAG PART # MSRP

Stainless Steel550-0962 1801-1433 \$549.95

EU Type-Approval: e9*134/2014*2018/295G*11033*01

EUROPEAN SPEC ECE GRAND NATIONAL® SLIP-ONS

2014–2022 Sportster® models with forward or mid controls

- ECE approved with S&S performance & style!
- Race inspired Grand National end cap design
- Available in show chrome or new, more durable Guardian Black finish
- New gaskets included for trouble free installation
- Made in USA!



GRAND NATIONAL® ECE SLIP-ONS FOR 2014–2020 XL MODELS WITH FORWARD OR MID CONTROLS

FINISH S&S PART # DRAG PART # MSRP

Black550-1001 1801-1463 \$1,009.95

Chrome550-1002 1801-1464 \$1,029.95

Approval E9*92R01/02*1003 for 2014– 2020 XI 883 and 1200



EUROPEAN SPEC EC Mk45 SLIP-ONS

for 2017–2022 M8 models in Europe

- EC approved with S&S performance and style
- Bold 4.5" design — with stainless steel baffle and RaceTEX cartridge packing
- Choose Cutlass, Thruster, or Tracer end cap designs in chrome or Tuxedo Black
- Performance 2.5" stainless steel perforated baffle
- Made in USA!



Chrome w/Chrome Thruster

Mk45 EC 4.5" SLIP-ONS FOR 2017–2022 TOURING MODELS

MUFFLER FINISH	END CAP FINISH & STYLE	S&S PART #	DRAG PART #	MSRP
Chrome	Black Cutlass	550-1009		\$1,019.95
Chrome	Chrome Thruster	550-0861	1801-1411	\$999.95
Chrome	Black Thruster	550-0860	1801-1410	\$999.95
Chrome	Chrome Tracer	550-0864	1801-1414	\$999.95
Chrome	Highlight Machined Tracer	550-0863	1801-1413	\$999.95
Black	Black Cutlass	550-1008		\$1,019.95
Black	Black Thruster	550-0862	1801-1412	\$999.95
Black	Highlight Machined Tracer	550-0865	1801-1415	\$999.95

EU Compliant per 11032 G

EC-Type Approval for non-original motorcycle noise abatement device



Chrome w/Black Thruster



Chrome w/Chrome Tracer



Chrome w/Machined Tracer



Black w/Black Thruster



Black w/Machined Tracer



NEW FOR 2022



Chrome w/Cutlass

NEW FOR 2022



Black w/Cutlass

EUROPEAN SPEC EC GRAND NATIONAL[®] SLIP-ON for 2018–2022 M8 HD[®] Fat Bob[®] Softail[®] models in Europe

- EC approved with S&S performance & style
- Race-inspired Grand National[®] end cap design
- High temperature ceramic black finish
- 100mm can with perforated stainless steel baffle & RaceTex cartridge packing
- All hardware and gaskets included



GRAND NATIONAL[®] EC 100MM SLIP-ON FOR 2018–2022 HD[®] SOFTAIL[®] FAT BOB[®] MODELS

FINISH S&S PART # DRAG PART # MSRP

Black550-0827 1801-1379 \$579.95

EU Type-Approval: e9*134/2014*2018/295G*11029*00 for 2018-2020 Fat Bob

EUROPEAN SPEC EC SLIP-ON MUFFLERS for M8 Softail[®] models in Europe

- EC approved with S&S performance & style
- Race-inspired Grand National[®] end cap design or the classic slash cut design complements any bike style
- Show chrome or ceramic black finish
- 82mm can with perforated stainless steel baffle & RaceTex cartridge packing
- Equipped with S&S engineered high-flow catalytic converter
- All hardware and gaskets included



GRAND NATIONAL[®] EC SLIP-ONS FOR 2018–2022 M8 SOFTAIL[®] MODELS

FITS FINISH S&S PART # ... DRAG PART # MSRP

M8 Softail[®] Street Bob[®], Low Rider[®], Slim[®], Fat Boy[®] & Breakout[®] models Black550-0824 1801-1383 \$1,239.95

Chrome550-0825 1801-1382 \$1,239.95

M8 Softail[®] Heritage Classic & Deluxe[®] models... Chrome550-0826 1801-1380 \$1,239.95

EU Type-Approval: e9*134/2014*2018/295H*11028*00 for 2018-2020 Softail Models

SLASH CUT EC SLIP-ONS FOR 2018–2022 M8 SOFTAIL[®] MODELS

FITS FINISH S&S PART # ... DRAG PART # MSRP

M8 Softail[®] Street Bob[®], Low Rider[®], Slim[®], Fat Boy[®] & Breakout[®] models Black550-0821 1801-1385 \$1,239.95

Chrome550-0822 1801-1384 \$1,239.95

M8 Softail[®] Heritage[®]/Deluxe[®] models Chrome550-0823 1801-1381 \$1,239.95

EU Type-Approval: e9*134/2014*2018/295H*11027*00 for 2018-2020 Softail Models





DRAG
Specialties
dragspecialties.com

S&S[®] Cycle, Inc. 14025 CTY HWY G Viola, WI 54664
608-627-1497 sscust@sscycycle.com sscycycle.com
510-0630 August 2023
MADE IN USA



S&S Cycle, Inc. reserves the right to change prices, terms, availability, and specifications without prior notice.